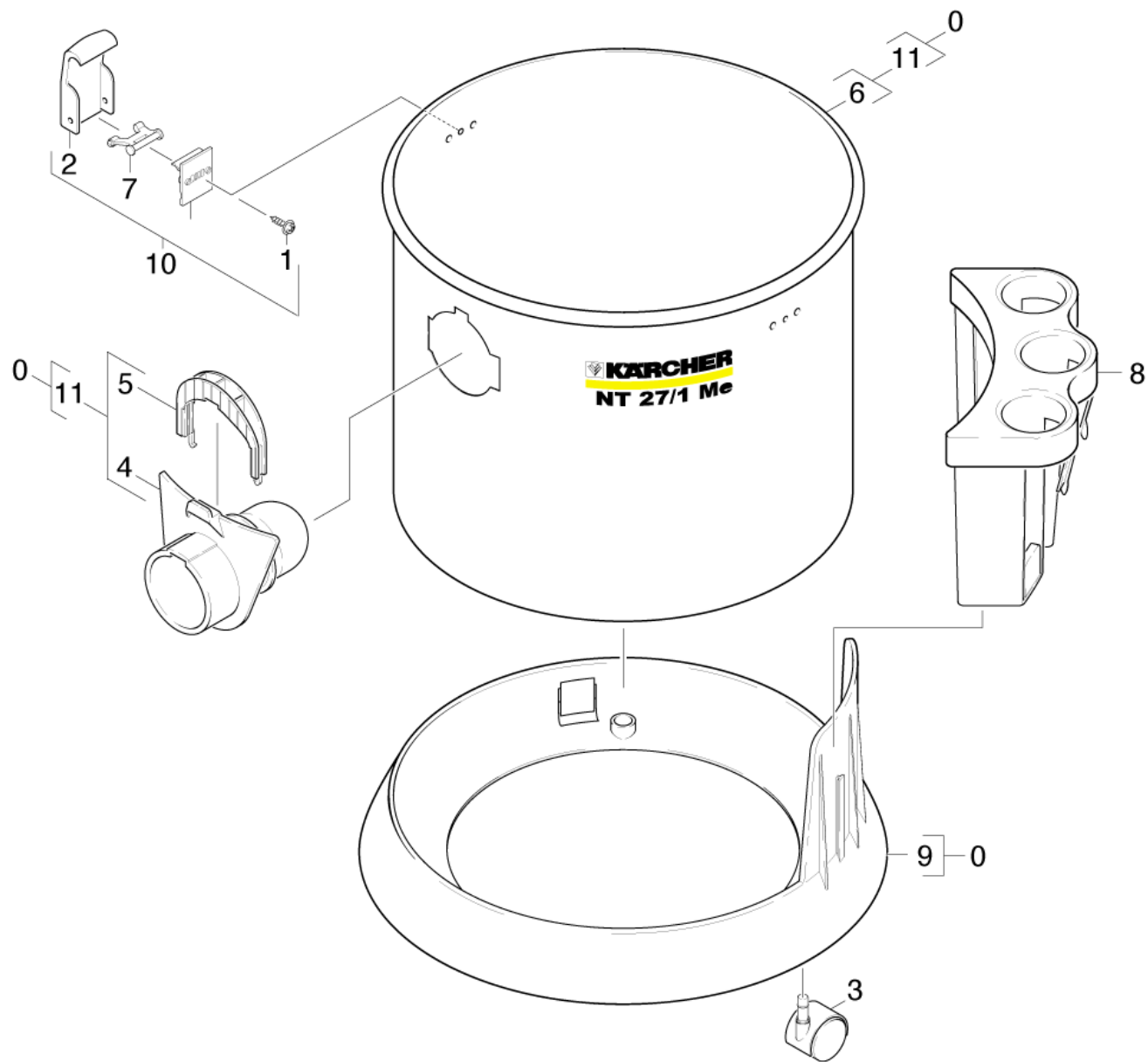


## 21 Tank ME

Overview technical documents/Professional/Vacuum cleaner/Wet-/dry vacuum cleaner/NT 27/1Me Adv Prof \*EU (1.428-110.0)/Spare parts list NT 27/1/20 Appliance bottom part/21 Tank ME



**21 Tank ME**

Overview technical documents/Professional/Vacuum cleaner/Wet-dry vacuum cleaner/NT 27/1Me Adv Prof \*EU (1.428-110.0)/Spare parts list NT 27/1/20 Appliance bottom part/21 Tank ME

Rez.daļas/nodil.pakļ.daļas	Poz.	Materiāla Nr.	Nosaukums	Daudzums	Pārdoš. vienība	no sēr. Nr..	līdz sēr. Nr.
	0	4.210-215.0	Chassis complete only for replacement	1.000	ST	0000000000	0000000000
	1	7.303-106.0	Skrūve 4x12 -10.9-R2R (IN6RD)	1.000	ST	0000000000	0000000000
X-X	2	6.903-292.0	Bloķēšanas ierīces āķis	2.000	ST	0000000000	0000000000
X	3	6.435-353.0	Pagriezējveltnītis D 42	5.000	ST	0000000000	0000000000
	4	5.032-362.0	suction connection	1.000	ST	0000000000	0000000000
	5	5.044-636.0	holder suction cennnection	1.000	ST	0000000000	0000000000
	6		Stockpiling discontinued	1.000	ST	0000000000	0000000000
X-X	7	6.903-294.0	Bloķēšanas ierīces šarnīrs	2.000	ST	0000000000	0000000000
	8	5.032-430.0	Holder accessories DN 35	1.000	ST	0000000000	0000000000
	9	5.521-036.0	Chassis	1.000	ST	0000000000	0000000000
X-X	10	6.906-548.0	Slēdzenes turētājs - tikai nomaiņai	2.000	ST	0000000000	0000000000
	11	4.070-483.0	Tank NT27/1 ME	1.000	ST	0000000000	0000000000