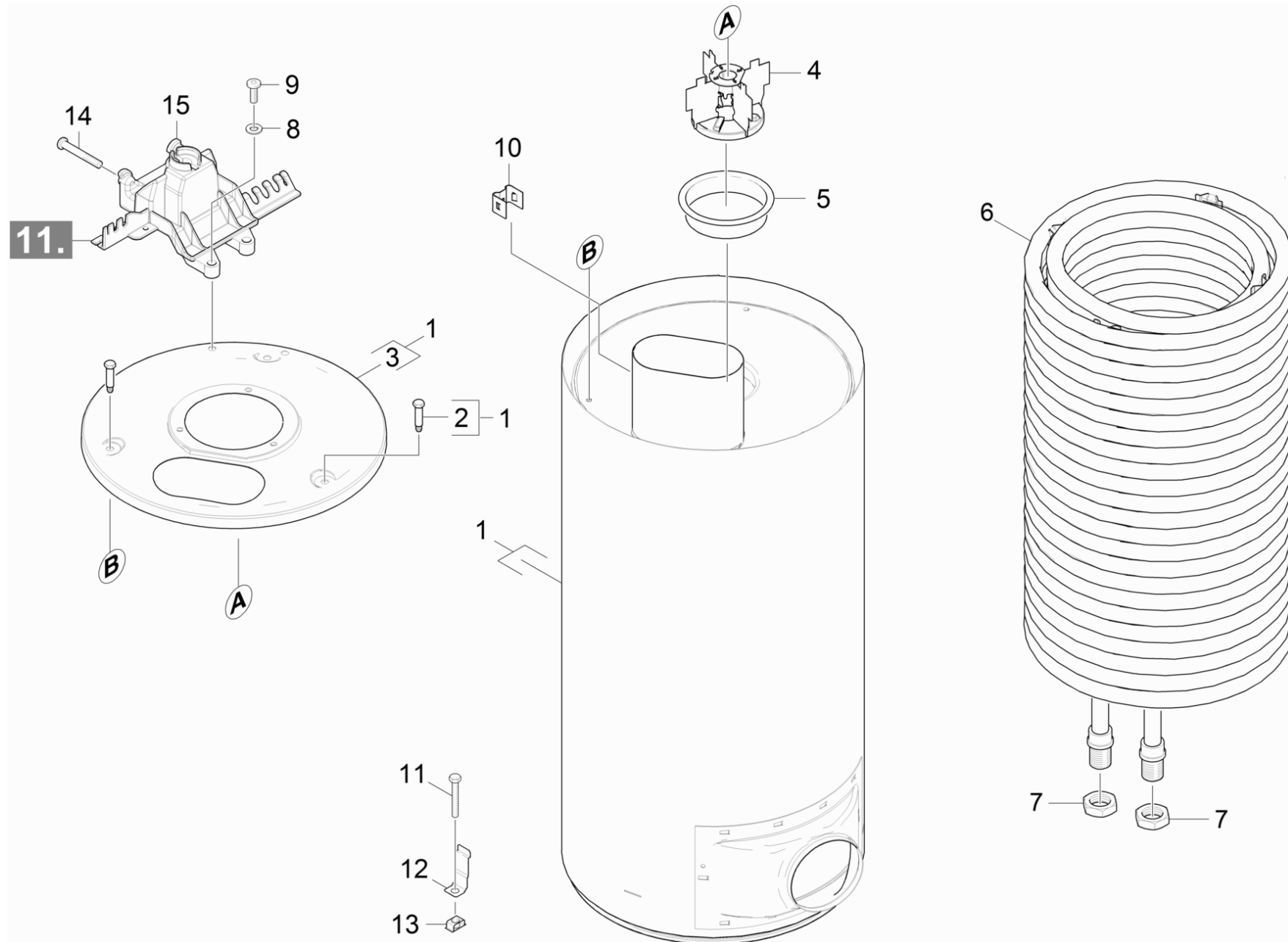


# 73 Heating coil

Professional \ High pressure cleaner hotwater \ Electric motor \ HDS 9/18-4 MX \*EU-I \ Spare parts list HDS 9/18 \ Flow heater \ Heating coil



## 73 Heating coil

Professional \ High pressure cleaner hotwater \ Electric motor \ HDS 9/18-4 MX \*EU-I \ Spare parts list HDS 9/18 \ Flow heater \ Heating coil

**KÄRCHER**

POS	Article no.	Description	Quantity	Unit	Foot note text
4	4.663-088.0	Baffle plate complete	1	PC	
13	6.310-081.0	Cage nut M 8	3	PC	
15	2.882-691.0	Conversion kit holder small Kessel	1	PC	VERSION 1
3	5.654-051.0	Cover pressure boiler	1	PC	
5	5.664-256.0	Flame tube	1	PC	
6	4.680-135.3	Heating coil	1	PC	
6	4.680-137.3	Heating coil VA	1	PC	STAINLESS STEEL CONSTRUCTION
11	7.304-051.0	Hexagonal head screw M 8x16 -8.8-P2R EN 1665	3	PC	
7	7.311-112.0	Hexagon nut M22X1,5 -22H-A2E DIN 936	2	PC	
12	5.044-420.0	Holder	3	PC	
10	5.034-834.0	Holder probe	1	PC	
1	4.652-139.0	Outer covering complete	1	PC	VERSION 1
14	7.303-111.0	Screw 5x50 -10.9-R2R (K-In6Rd)	2	PC	
9	6.303-320.0	Screw M 5x 20-St-R2R	2	PC	
2	6.303-258.0	Self-tapping screw	3	PC	
8	7.312-278.0	Washer 5-200HV-A2E ISO7093-1	2	PC	