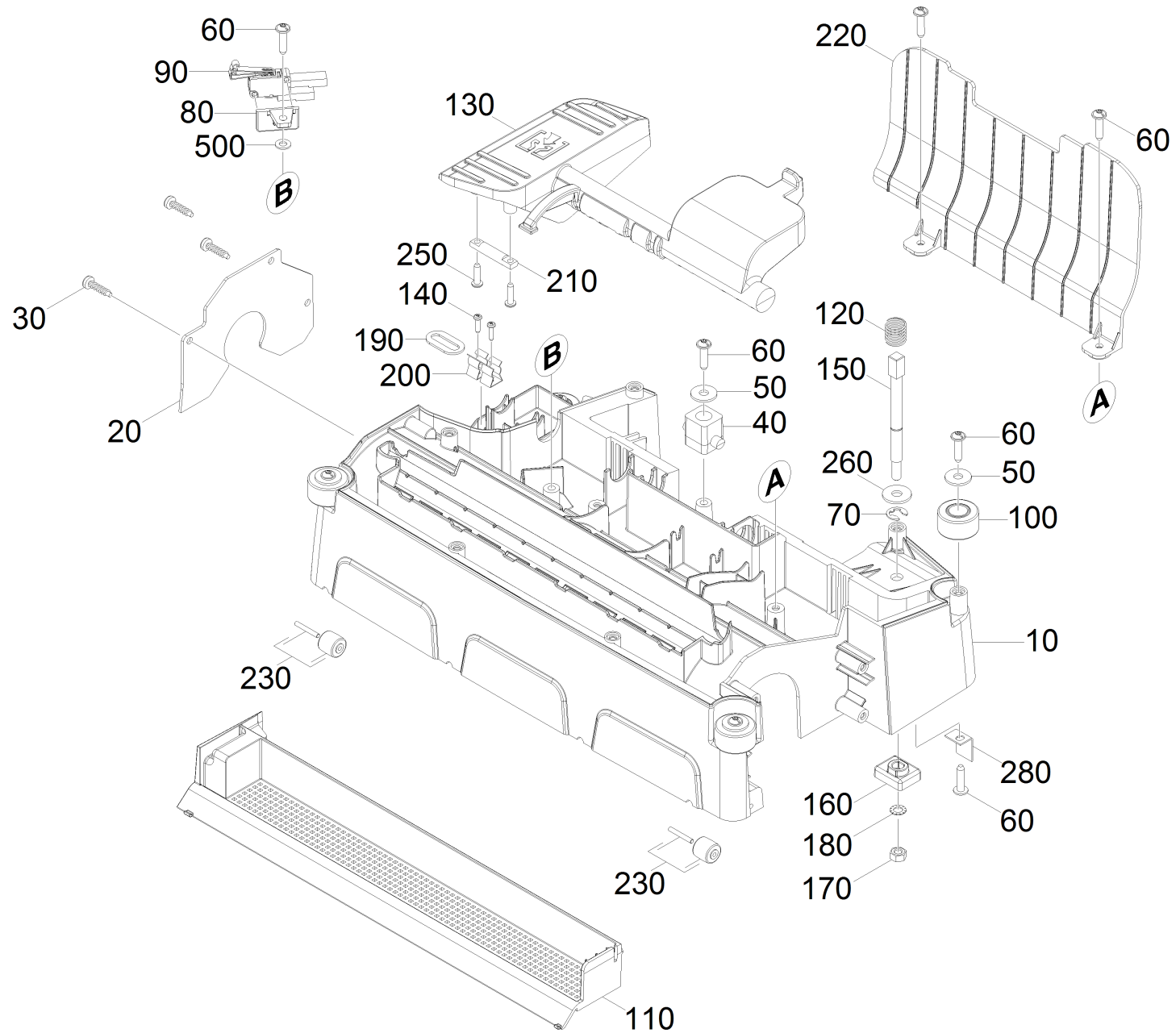


10 Brush housing complete

Professional \ Floor cleaner \ Compact \ BR 35/12 C Bp Pack *EU \ Brush-head complete \ Brush housing complete



10 Brush housing complete

Professional \ Floor cleaner \ Compact \ BR 35/12 C Bp Pack *EU \ Brush-head complete \ Brush housing complete



POS	Article no.	Description	Quantity	Unit	Serial number to	Foot note text
10	5.037-254.0	Brush housing	1.000	ST		
20	5.037-259.0	Plate brush holder	1.000	ST		
30	7.303-212.0	Screw 5x20 -A2-70 (In6Rd)	4.000	ST		
40	5.037-260.0	Swivel joint suction beam retraction	1.000	ST		
50	7.312-292.0	Washer 6 -A2 ISO 7093-1	2.000	ST		
60	7.303-108.0	Screw 5x20 -10.9-R2R (In6Rd)	6.000	ST		
70	7.343-300.0	Lock washer 7-A2 DIN 6799	1.000	ST		
80	5.050-654.0	Retainer micro switch	1.000	ST		
90	6.630-438.0	Micro switch	1.000	ST		
100	5.037-262.0	Deflector roll	4.000	ST		
110	5.037-263.0	Sweep drawer	1.000	ST		
120	5.332-207.0	Helical spring	1.000	ST		
130	5.037-265.0	Retaining bracket suction bar	1.000	ST		
140	7.303-092.0	Screw 3x12 -10.9-R2R (K-In6Rd)	2.000	ST		
150	5.037-302.0	Threaded part	1.000	ST		
160	5.037-303.0	Slide part height adjustment	1.000	ST		
170	7.311-003.0	Hexagon nut M6 -8-A2E ISO 4032	1.000	ST		
180	7.312-232.0	Serrated lock washer A6,4-FSt-A3E DIN 6	1.000	ST		
190	5.037-354.0	Plate	1.000	ST		
200	6.330-410.0	Spring clip X130-8L	2.000	ST		
210	5.037-325.0	Pedal fixing axle	1.000	ST		
220	5.037-340.0	Baffle plate brush-head	1.000	ST		
230	4.880-058.0	Roller set	1.000	ST		
250	7.303-129.0	Screw 4x16 -10.9-R2R (K-In6Rd)	2.000	ST		
260	7.312-004.0	Washer 8 -200HV-A3E ISO 7090	1.000	ST		
280	5.037-008.0	Plate stop	2.000	ST		
500	7.312-002.0	Washer 5-200HV-A3E ISO 7090	1.000	ST	11478	ORDER ACCORDING TO CONSUMPTION