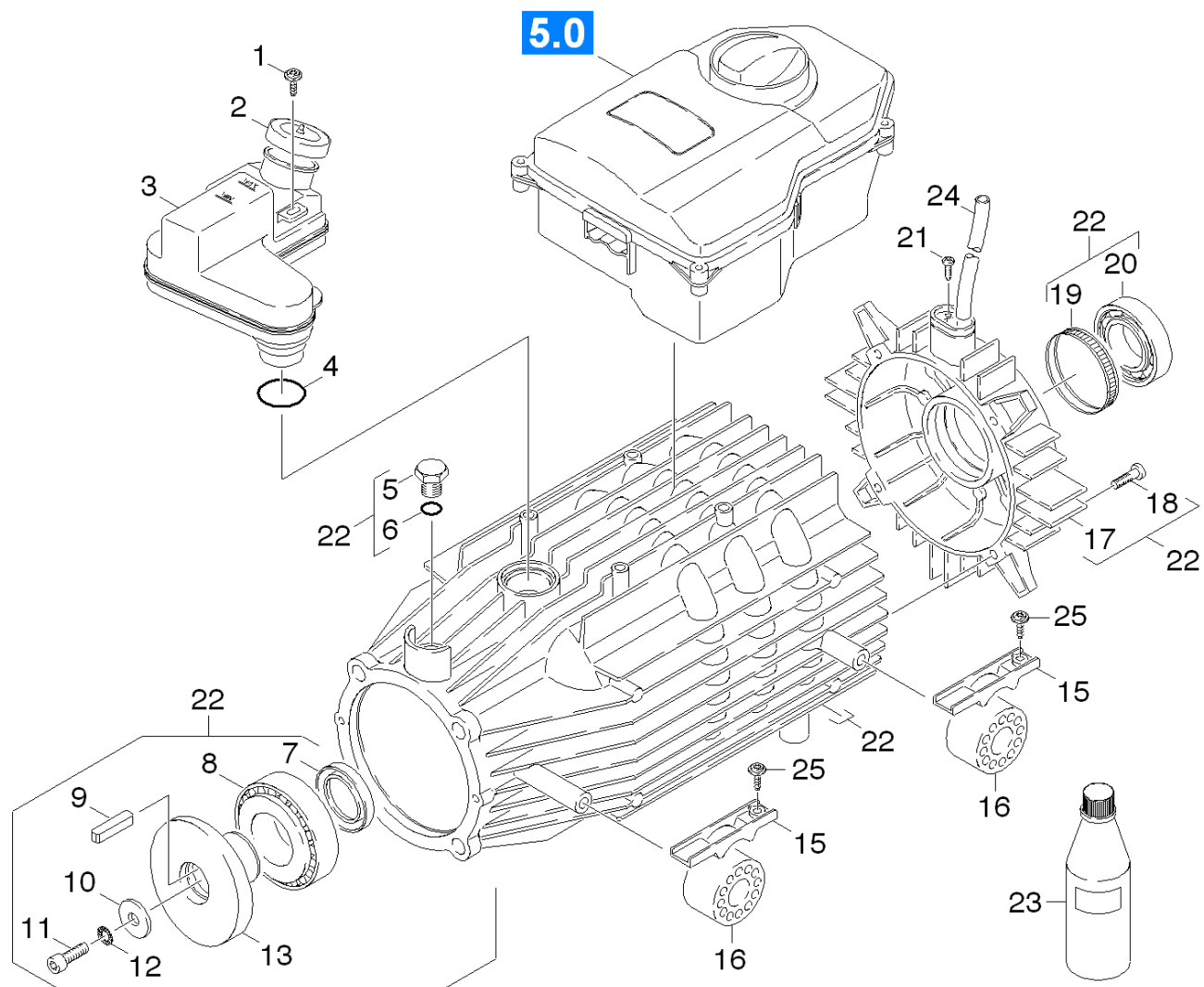


30 Motor

Overview technical documents/Professional/High pressure cleaner cold water/Electric motor/HD 10/25-4S PLUS *EU (1.286-201.0)/Spare parts list HD 10/25 S/30 Motor



30 Motor

Overview technical documents/Professional/High pressure cleaner cold water/Electric motor/HD 10/25-4S PLUS *EU (1.286-201.0)/Spare parts list HD 10/25 S/30 Motor

Rez.daļas/nodil.pakļ.daļas	Poz.	Materiāla Nr.	Nosaukums	Daudzums	Pārdoš. vienība	no sēr. Nr..	līdz sēr. Nr.
X-X	1	7.303-108.0	Skrūve 5x20 -10.9-R2R (In6Rd)	1.000	ST	0000000000	0000000000
X-X	2	5.063-195.0	Vāks	1.000	ST	0000000000	0000000000
X-X	3	5.070-604.0	Tank	1.000	ST	0000000000	0000000000
X-X	4	6.362-526.0	Gredzenblīve 29,1 X 2,55 -NBR 70	1.000	ST	0000000000	0000000000
	5	5.411-100.0	screw plug	2.000	ST	0000000000	0000000000
	6	6.363-273.0	Gredzenblīve 11,0 x 2,0	2.000	ST	0000000000	0000000000
X-X	7	7.367-009.0	Vārpstas blīvslēgs A35x52x7-NBR DIN	1.000	ST	0000000000	0000000000
X-X	8	6.401-225.0	Ball bearing	1.000	ST	0000000000	0000000000
X-X	9	7.318-035.0	parallel key	1.000	ST	0000000000	0000000000
	10	5.115-565.0	washer	1.000	ST	0000000000	0000000000
X-X	11	7.306-041.0	cylinder head screw	1.000	ST	0000000000	0000000000
	12	7.312-159.0	toothed lock washer	1.000	ST	0000000000	0000000000
X	13	4.120-240.0	Wobble plate -nur für Ersatz-to5.120-339	1.000	ST	0000000000	0000000000
X-X	15	5.802-288.0	Mounting part	4.000	ST	0000000000	0000000000
X	16	5.767-005.0	Gumijas buferis	4.000	ST	0000000000	0000000000
	17	5.064-006.0	Gultņa pārsegs B	1.000	ST	0000000000	0000000000
	18	7.303-049.0	Screw M6x25-ST-A3R (IN6RD)	4.000	ST	0000000000	0000000000
X-X	19	6.343-010.0	Montāžas distancgredzens 62x10	1.000	ST	0000000000	0000000000
X-X	20	6.401-253.0	Lodīšu gultnis 6305-2Z	1.000	ST	0000000000	0000000000
	21	7.303-031.0	screw	1.000	ST	0000000000	0000000000
	22	4.623-457.0	Motor complete only for replacement	1.000	ST	0000000000	0000000000
X-X	23	6.288-016.0	Transmisijas eļļa	2.000	ST	0000000000	0000000000
	24	6.642-011.0	Insulating hose 10	1.000	M	0000000000	0000000000
X-X	25	7.303-110.0	Screw 5x35 -10.9-R2R (In6Rd)	4.000	ST	0000000000	0000000000