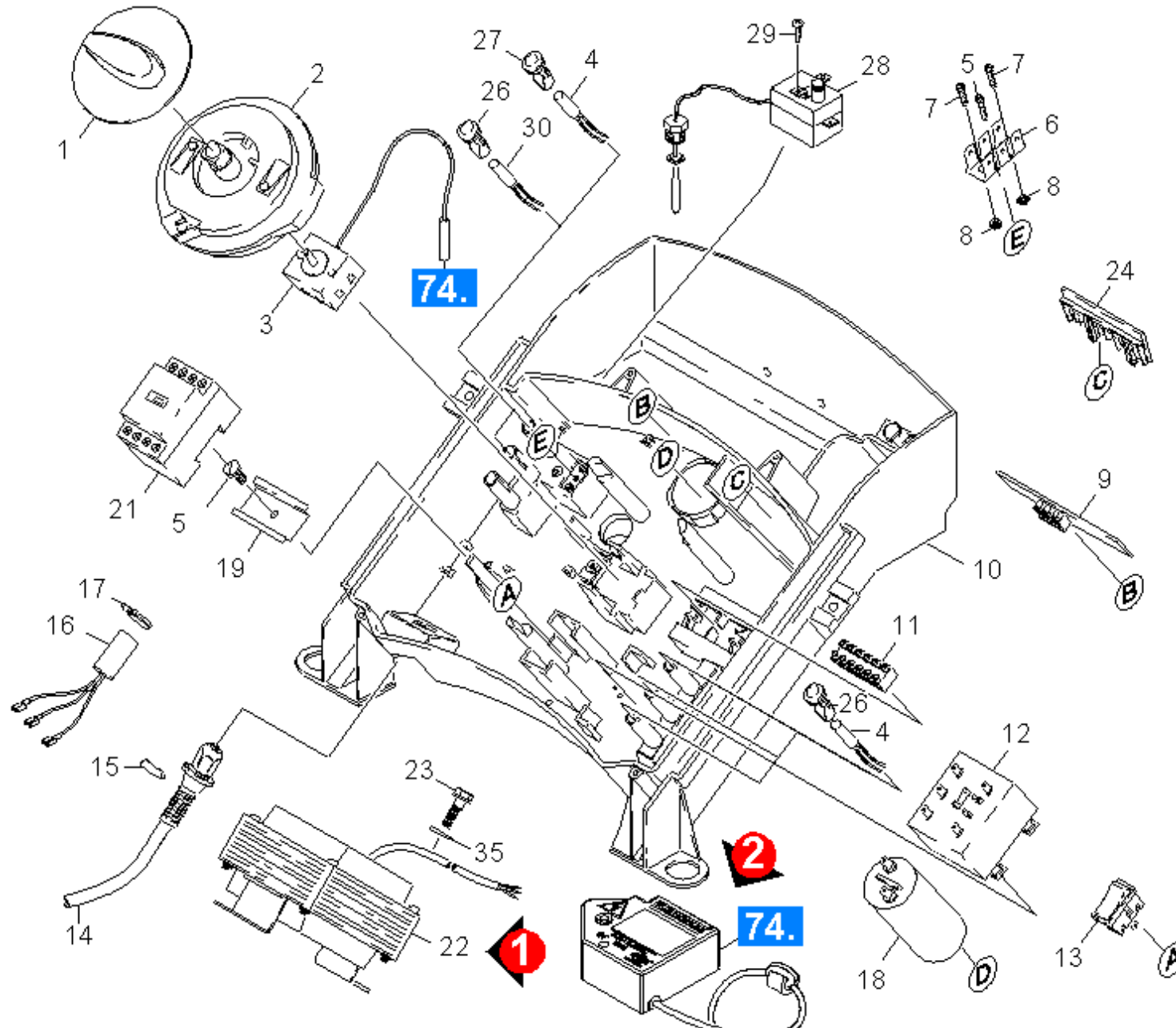


61 Electric control box

Professional \ High pressure cleaner hotwater \ Electric motor \ HDS 558 C ECO *EU \ Spare parts list HDS 558 C Eco \ Electric control box \ Electric control box



61 Electric control box

Professional \ High pressure cleaner hotwater \ Electric motor \ HDS 558 C ECO *EU \ Spare parts list HDS 558 C Eco \ Electric control box \ Electric control box

KÄRCHER

POS	Article no.	Description	Quantity	Unit	Foot note text
1	5.321-577.0	Handle	1	ST	
2	5.115-844.0	Washer	1	ST	
3	2.882-574.0	Conversion kit thermostat	1	ST	
4	4.651-026.0	Pilot lamp only for replacement	5	ST	
5	7.303-026.0	Screw 4x16 -A2-70 (In6Rd)	2	ST	
6	6.641-270.0	Plug	1	ST	
7	6.303-317.0	Screw M4x10-St-A2G	2	ST	
8	7.311-001.0	Hexagon nut M4 -6-A2E ISO 4032	2	ST	
9	4.633-058.0	Pulse generator only for replacement	1	ST	
10	5.801-146.0	Mounting plate	1	ST	
11	6.643-249.0	Strip terminal	1	ZST	
12	4.622-018.0	Control transformer -nur für Ersatz-	1	ST	
13	6.630-118.0	Rocker switch	1	ST	
14	6.647-275.0	Cable with plug *GB	1	ST	
	Item text1: 1.170-604.0				
14	6.649-951.0	Cable with plug CH	1	ST	
	Item text1: 1.170-602.0				
14	6.647-251.0	Cable with plug	1	ST	
	Item text1: 1.170-601.0 / -621.0				
14	6.647-127.0	Cable with plug *AU	1	ST	
	Item text1: 1.170-603.0				
15	6.343-170.0	Retaining clip	1	ST	
16	6.661-217.0	Interference suppressor	1	ST	FOR IGNITION TRANSFORMER VERSION 1
	Item text1: 1.170-601.0 / -602. / -603.0 / -604.0 /				
	Item text2: 1.170-621.0				
16	6.661-286.0	Interference suppressor one-pole	1	ST	FOR IGNITION TRANSFORMER VERSION 2
	Item text1: 1.170-601.0 /-602.0 /-603.0 /-604.0 /				
	Item text2: -621.0				
17	6.641-458.0	Cable tape nature 4,6x150mm	1	ST	
18	6.661-298.0	Capacitor 40µF	1	ST	
19	5.802-261.0	Mounting part	1	ST	
21	4.632-002.0	Contactore -nur fuer Ersatz-	1	ST	
22	4.622-033.0	Ignition transformer only for replacemen	1	ST	VERSION 1

61 Electric control box

Professional \ High pressure cleaner hotwater \ Electric motor \ HDS 558 C ECO *EU \ Spare parts list HDS 558 C Eco \ Electric control box \ Electric control box



POS	Article no.	Description	Quantity	Unit	Foot note text
	Item text1: 1.170-601.0 / -602. / -603.0 / -604.0 /				
	Item text2: 1.170-621.0				
22	6.622-167.0	Ignition transformer 230V	1	ST	VERSION 1
	Item text1: 1.170-610.0				
23	7.777-999.0	Stockpiling discontinued	1	ST	
24	5.030-954.0	Clamping part	1	ST	
26	6.651-316.0	Lens housing red	4	ST	
27	6.651-421.0	Lens housing green	1	ST	
28	4.686-018.0	Temperature limiter only for replacement	1	ST	
29	7.306-056.0	Screw M4x8 -8.8-R2R (In6Rd)	2	ST	
30	6.651-604.0	Pilot lamp	1	ST	