

## **Spare parts list**

(1.400-360.0) K 2.90M-PLUS \*EU

## Table of contents

---

K 2.90M-PLUS *EU (1.400-360.0)	3
130 Spare parts list K 2.90M *EU (5.970-238.0)	4
10 Housing	5
20 Pump set	7
21 Cylinder head	8
22 Thrust guidance	10
30 Motor	12
40 Accessories	14
41 Hand trigger gun	15
4 HK 7,5 high pressure hose set+trigger gu (2.643-910.0)	17
1 G 180 Q Trigger gun Quick Connect (2.642-889.0)	19
2 H 9 Q high pressure hose Quick Connect (2.641-721.0)	21
42 Hand trigger gun	23
4 HK 7,5 high pressure hose set+trigger gu (2.643-910.0)	25
1 G 180 Q Trigger gun Quick Connect (2.642-889.0)	27
2 H 9 Q high pressure hose Quick Connect (2.641-721.0)	29
43 Jet pipe	31
2 VPS K2 025 (4.760-535.0)	33
3 Dirt blaster K2 027 St (4.764-243.0)	35
44 T-Racer	37
3 Single-step jet pipe extension (2.643-240.0)	39
8 Spare parts nozzles T-Racer (2.643-338.0)	41

K 2.90M-PLUS \*EU (1.400-360.0)

---

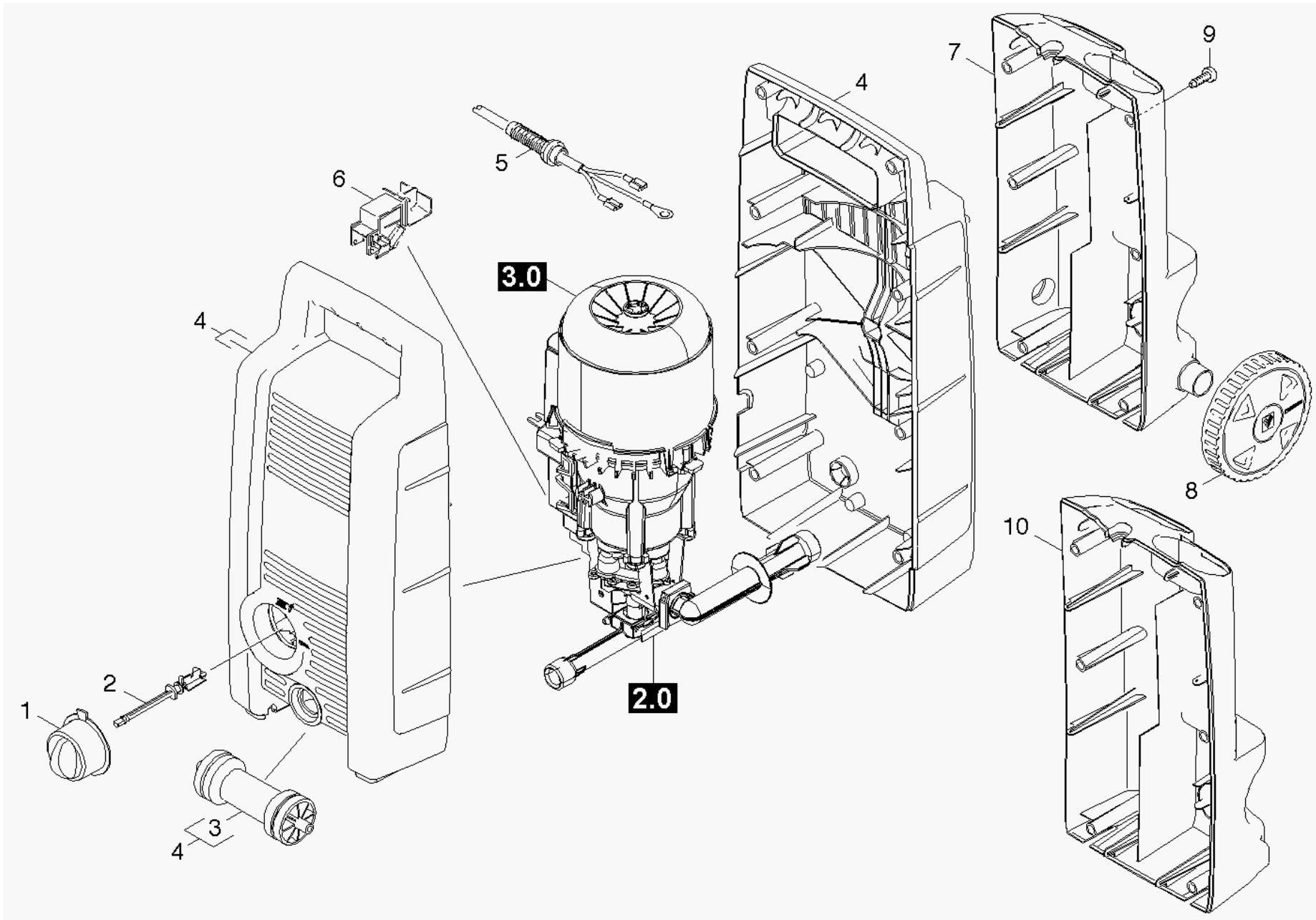
POS	Article no.	Description	Quantity	Unit
130	5.970-238.0	Spare parts list K 2.90M *EU	1.000	ST
<b>Item text2:</b> 3F4E5DC5408B0067E1000000C34F56CF14003510				

---

130 Spare parts list K 2.90M \*EU (5.970-238.0)

---

<b>POS</b>	<b>Description</b>	<b>Quantity</b>	<b>Unit</b>
10	Housing	1.000	ST
20	Pump set	1.000	ST
30	Motor	1.000	ST
40	Accessories	1.000	ST



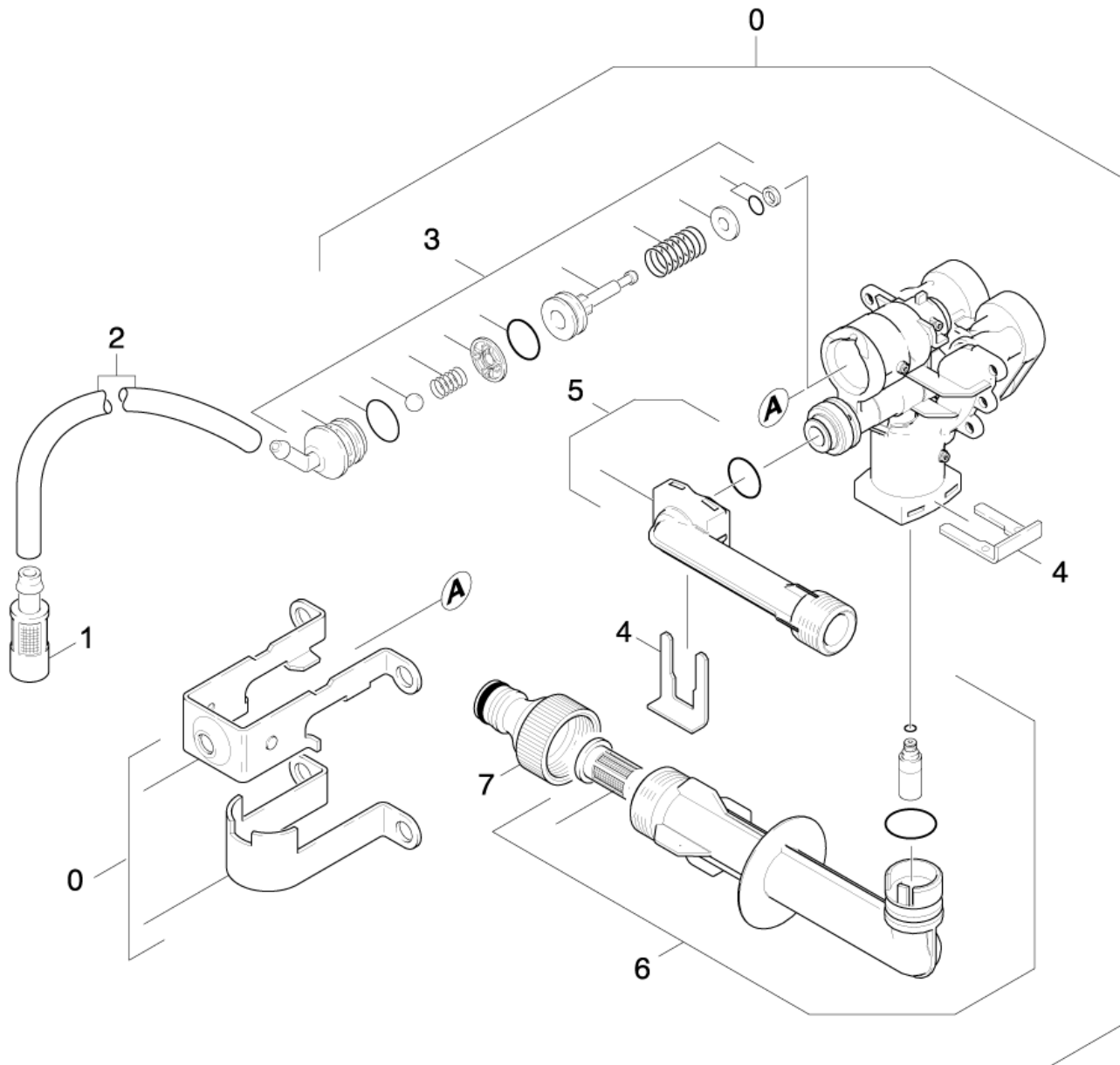
## 10 Housing

POS	Article no.	Description	Quantity	Unit
1	5.321-740.0	Handhold switch K 2.90	1.000	ST
2	5.105-296.0	Axle long black	1.000	ST
3	5.515-252.0	Roller	1.000	ST
	<b>Item text1:</b> / 1.400-351.0 / -352.0 / -358.0			
	<b>Item text2:</b> / -360.0			
4	4.067-047.0	Housing pair with roller	1.000	ST
5	6.649-324.0	Cable with plug *GB (3G0,75)	1.000	ST
	<b>Item text1:</b> 1.400-361.0 / -363.0			
5	6.649-301.0	Cable with plug *EU 3G0,75	1.000	ST
	<b>Item text1:</b> 1.400-301.0/ -351.0/ -358.0/ -360.0			
5	6.648-801.0	Cable with plug *CH (3G0,75)	1.000	ST
	<b>Item text1:</b> 1.400-352.0/ -362.0			
5	6.648-799.0	Cable with plug *AU m. ZE (3G0,75)	1.000	ST
	<b>Item text1:</b> 1.400-302.0			
6	6.630-357.0	Switch complete UL/CSA+Ers. (ohne Fluege	1.000	ST
7	5.067-423.0	Housing accessories	1.000	ST
	<b>Item text1:</b> / 1.400-351.0 / -352.0 / -358.0			
	<b>Item text2:</b> / -360.0			
8	5.515-182.0	Wheel 2002	2.000	ST
	<b>Item text1:</b> / 1.400-351.0 / -352.0 / -358.0			
	<b>Item text2:</b> / -360.0			
9	7.303-096.0	Screw 4x22 -ST-10.9-R2R (IN6RD)	14.000	ST
10	5.067-431.0	Housing accessories K 2.90 OHNE RADAUFN	1.000	ST
	<b>Item text1:</b> / 1.400-301.0			

## 20 Pump set

---

<b>POS</b>	<b>Description</b>	<b>Quantity</b>	<b>Unit</b>
21	Cylinder head	1.000	ST
22	Thrust guidance	1.000	ST

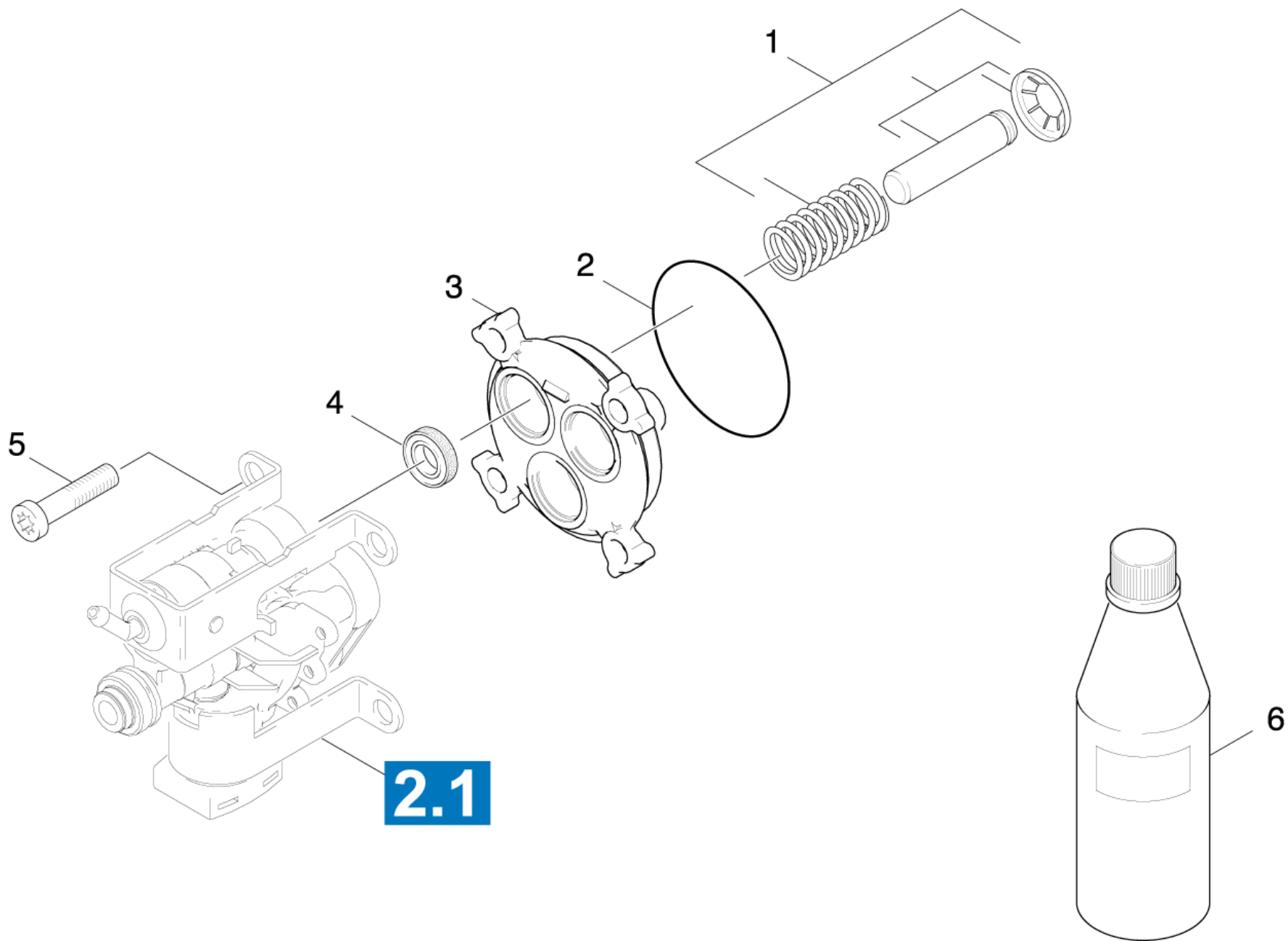




## 21 Cylinder head

---

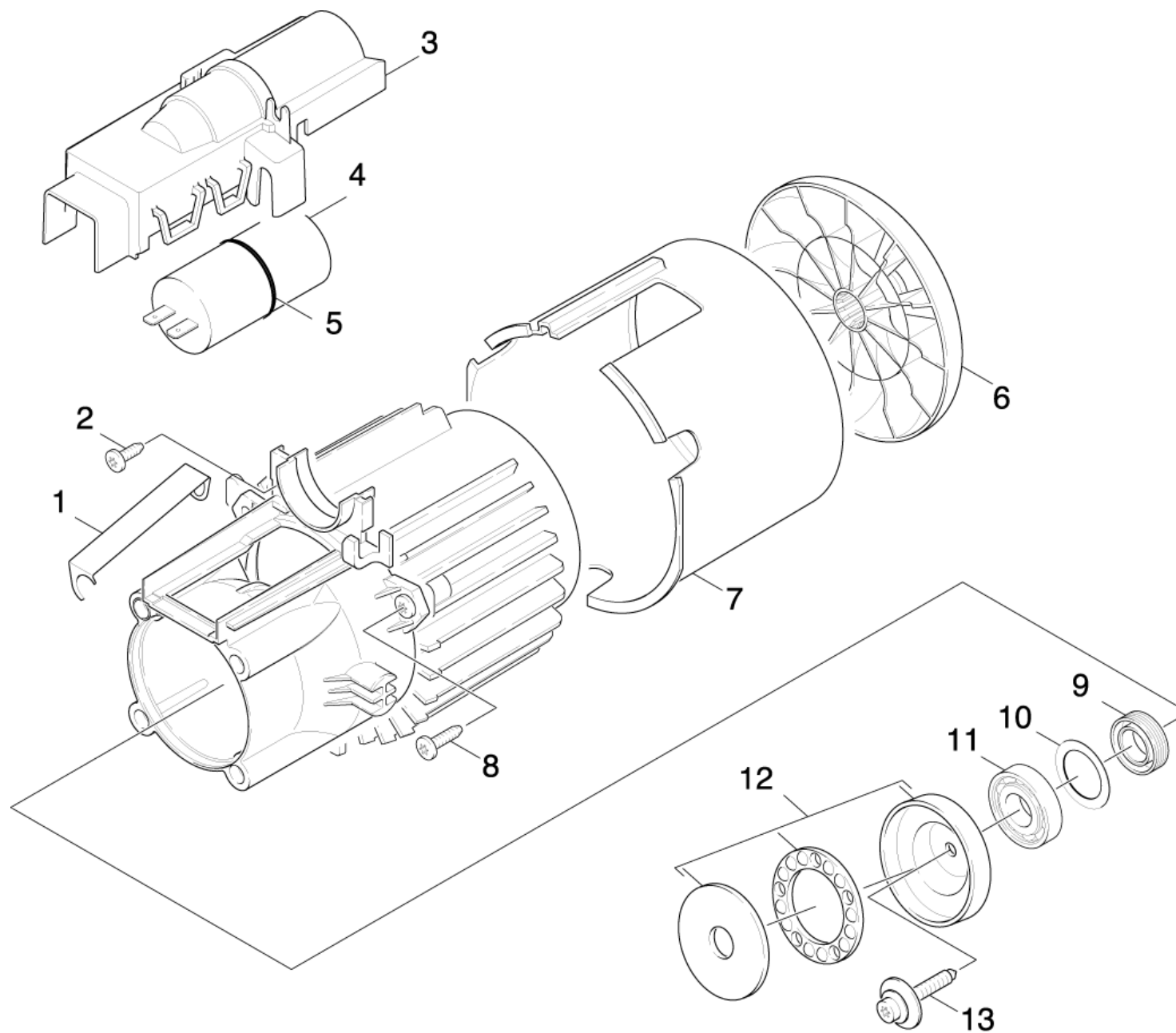
<b>POS</b>	<b>Article no.</b>	<b>Description</b>	<b>Quantity</b>	<b>Unit</b>	<b>Foot note text</b>
0	4.550-687.0	Cylinder head only for replacement	1.000	ST	
1	5.731-652.0	Filter with weight	1.000	ST	
2	6.388-216.0	Hose DN 5	1.000	M	TO ORDER AS CUT GOODS
3	2.884-133.0	Spare part set control piston chemistry	1.000	ST	
4	5.048-406.0	Clamp	2.000	ST	
5	4.063-783.0	Outlet high-pressure with O-Ring seal	1.000	ST	
6	4.063-782.0	Suction cover and valve	1.000	ST	
7	6.465-031.0	Connection 3/4	1.000	ST	



## 22 Thrust guidance

---

<b>POS</b>	<b>Article no.</b>	<b>Description</b>	<b>Quantity</b>	<b>Unit</b>	<b>Foot note text</b>
1	2.884-313.0	Spare part set piston complete GSF	1.000	ST	3 QTY.
2	6.362-826.0	O-Ring seal 61,6x2,62	1.000	ST	
3	5.060-983.0	Thrust guidance with reinforcement Ratio	1.000	ST	
4	6.365-393.0	Oil sealing 12x20x4/6	3.000	ST	
5	6.303-315.0	Screw 8 x 35	4.000	ST	
6	6.288-112.0	Engine oil 10W-60, 1L	1.000	ST	



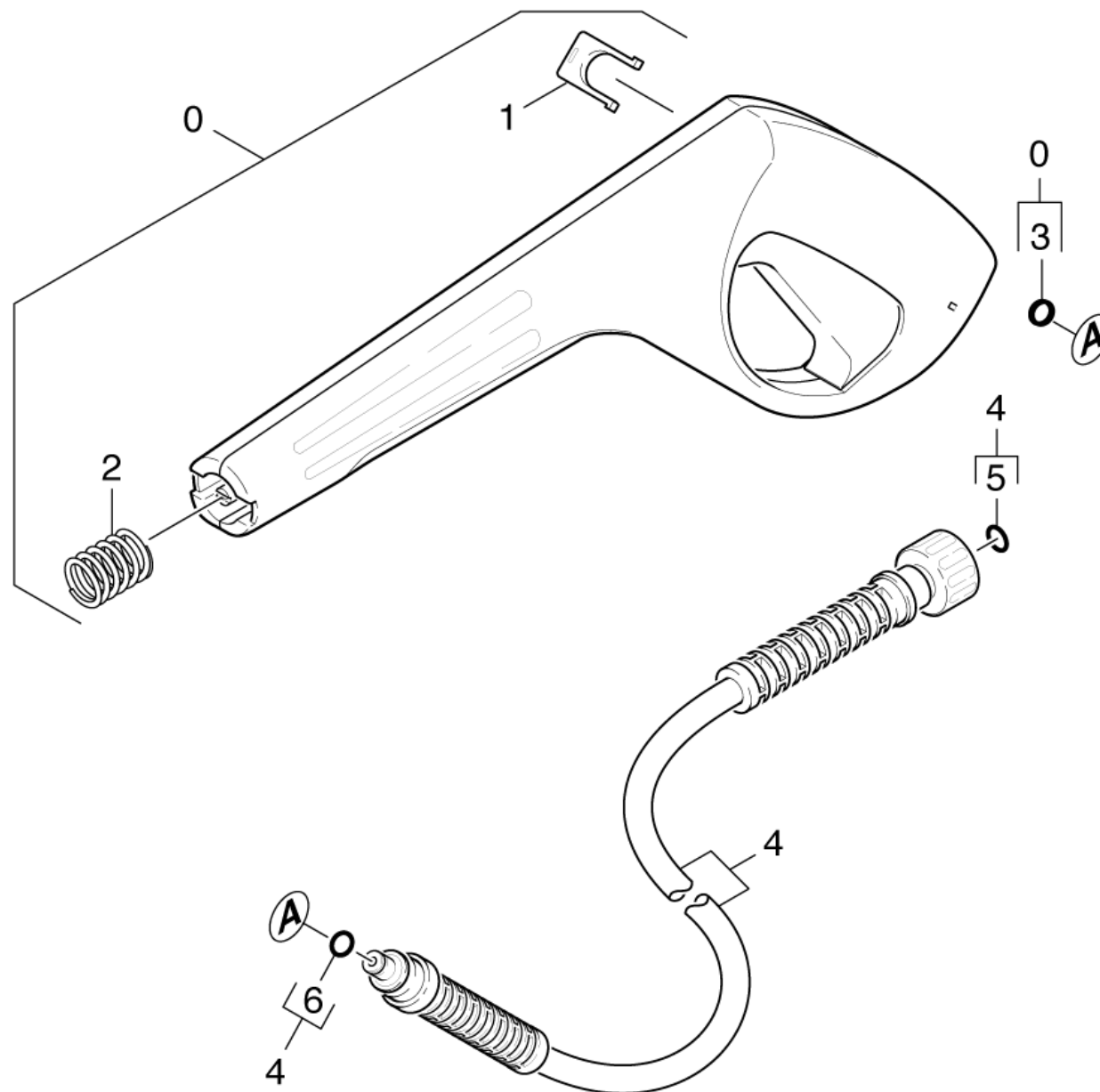
## 30 Motor

POS	Article no.	Description	Quantity	Unit
1	5.059-860.0	Sheet metal component	1.000	ST
2	7.303-031.0	Screw M4x10 -St-P2R (In6Rd)	1.000	ST
3	5.064-166.0	Cover electric box	1.000	ST
4	6.661-234.0	Capacitor 12µF	1.000	ST
5	6.362-085.0	O-Ring seal 32,0 X 2,5-NBR 70	1.000	ST
6	5.600-076.0	Blower wheel	1.000	ST
7	5.067-428.0	Air circulation	1.000	ST
8	6.303-320.0	Screw M 5x 20-St-R2R	3.000	ST
9	6.367-097.0	Rotary shaft seal	1.000	ST
10	6.906-604.0	Shim ring DIN 988	1.000	ST
11	7.401-952.0	Ball bearing 6202 -100Cr6 DIN 625	1.000	ST
12	4.120-204.0	Wobble plate complete lift 5,6	1.000	ST
13	6.304-048.0	Cylinder head screw M6x19	1.000	ST

## 40 Accessories

---

<b>POS</b>	<b>Description</b>	<b>Quantity</b>	<b>Unit</b>
41	Hand trigger gun	1.000	ST
42	Hand trigger gun	1.000	ST
43	Jet pipe	1.000	ST
44	T-Racer	1.000	ST



## 41 Hand trigger gun

---

POS	Article no.	Description	Quantity	Unit
0	7.777-999.0	Stockpiling discontinued	1.000	ST
1	5.037-164.0	Clamp	1.000	ST
2	5.332-464.0	Pressure spring	1.000	ST
3	6.363-198.0	O-Ring seal 6x2 90 shore PUR	1.000	ST
4	2.643-910.0	HK 7,5 high pressure hose set+trigger gu	1.000	ST
5	2.880-990.0	Spare part set O-Ring 5x -Kaercher	1.000	ST
6	6.362-498.0	O-Ring seal 6,75x1,78 NBR 70	1.000	ST





4 HK 7,5 high pressure hose set+trigger gu (2.643-910.0)

---

<b>POS</b>	<b>Article no.</b>	<b>Description</b>	<b>Quantity</b>	<b>Unit</b>
1	2.642-889.0	G 180 Q Trigger gun Quick Connect	1.000	ST
2	2.641-721.0	H 9 Q high pressure hose Quick Connect	1.000	ST
3	4.470-041.0	High pressure quick-fitting pipe union A	1.000	ST



1 G 180 Q Trigger gun Quick Connect (2.642-889.0)

---

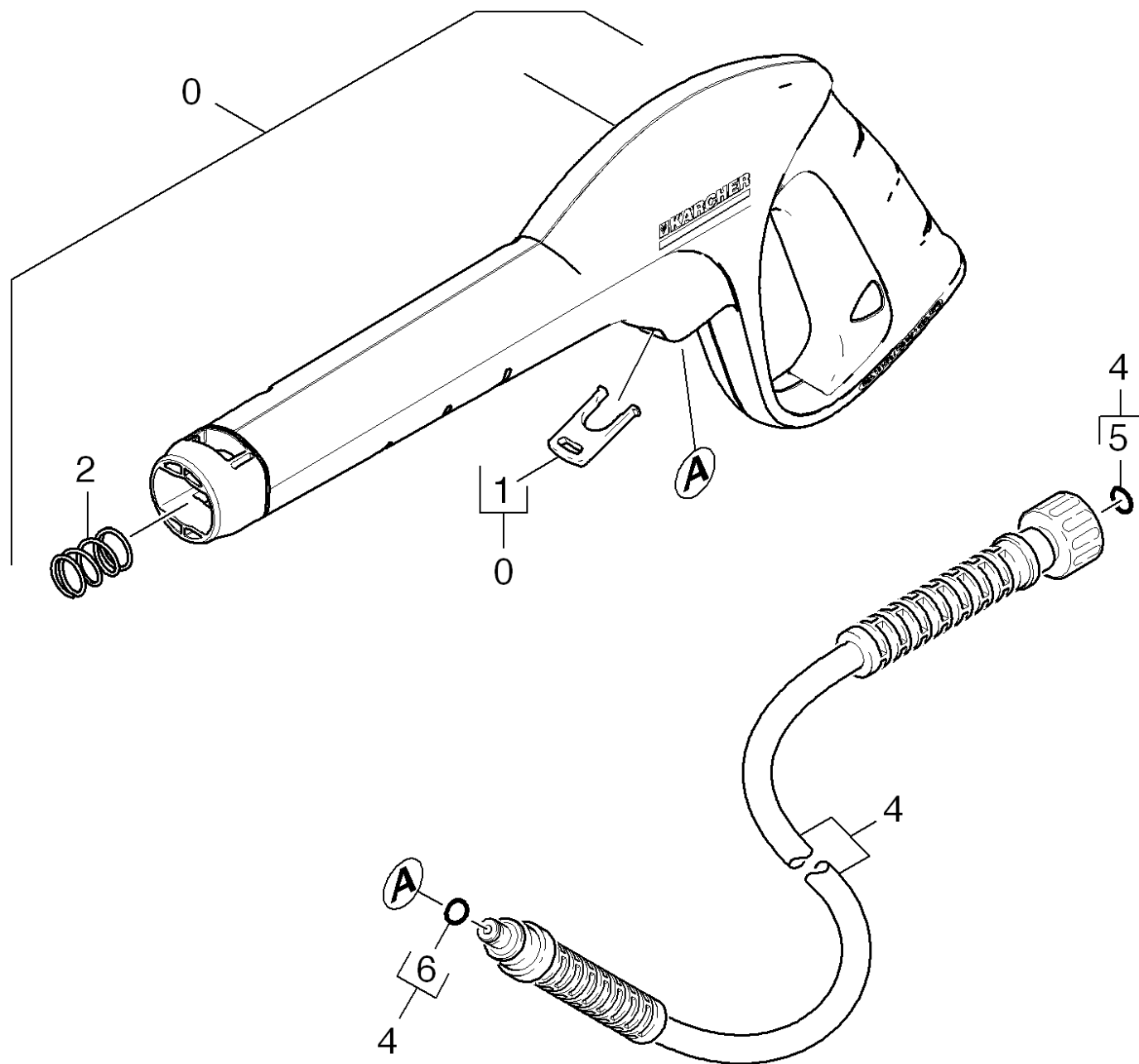
POS	Article no.	Description	Quantity	Unit
1	5.332-464.0	Pressure spring	1.000	ST



2 H 9 Q high pressure hose Quick Connect (2.641-721.0)

---

<b>POS</b>	<b>Article no.</b>	<b>Description</b>	<b>Quantity</b>	<b>Unit</b>
999	2.640-729.0	O-Ring seal set	1.000	ST



## 42 Hand trigger gun

---

POS	Article no.	Description	Quantity	Unit
0	2.641-959.0	G 160 pistol	1.000	ST
1	5.037-185.0	Clamp	1.000	ST
2	5.332-464.0	Pressure spring	1.000	ST
4	2.643-910.0	HK 7,5 high pressure hose set+trigger gu	1.000	ST
5	2.880-990.0	Spare part set O-Ring 5x -Kaercher	1.000	ST
6	6.362-498.0	O-Ring seal 6,75x1,78 NBR 70	1.000	ST





4 HK 7,5 high pressure hose set+trigger gu (2.643-910.0)

---

<b>POS</b>	<b>Article no.</b>	<b>Description</b>	<b>Quantity</b>	<b>Unit</b>
1	2.642-889.0	G 180 Q Trigger gun Quick Connect	1.000	ST
2	2.641-721.0	H 9 Q high pressure hose Quick Connect	1.000	ST
3	4.470-041.0	High pressure quick-fitting pipe union A	1.000	ST



1 G 180 Q Trigger gun Quick Connect (2.642-889.0)

---

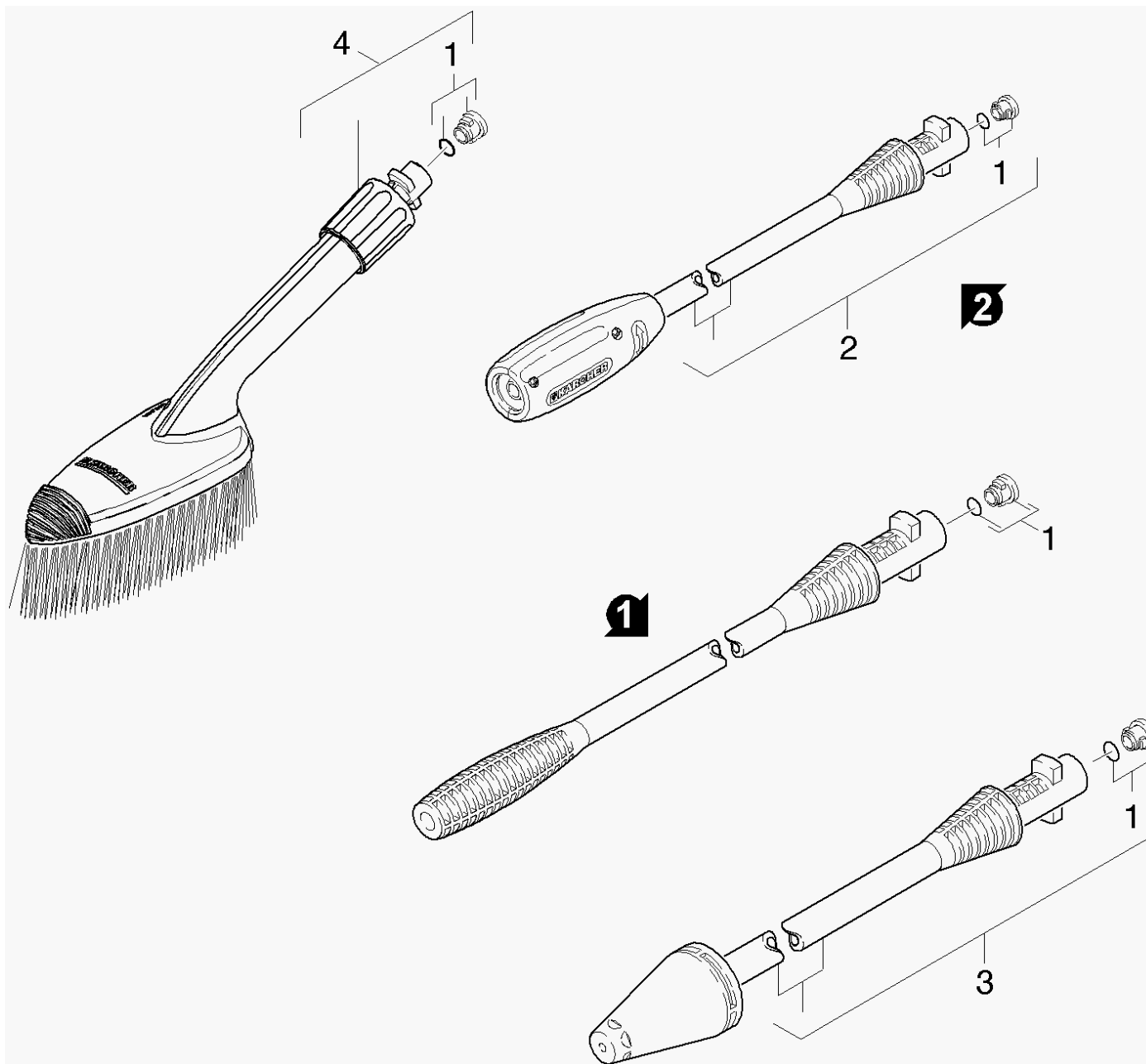
<b>POS</b>	<b>Article no.</b>	<b>Description</b>	<b>Quantity</b>	<b>Unit</b>
1	5.332-464.0	Pressure spring	1.000	ST



2 H 9 Q high pressure hose Quick Connect (2.641-721.0)

---

<b>POS</b>	<b>Article no.</b>	<b>Description</b>	<b>Quantity</b>	<b>Unit</b>
999	2.640-729.0	O-Ring seal set	1.000	ST



## 43 Jet pipe

---

<b>POS</b>	<b>Article no.</b>	<b>Description</b>	<b>Quantity</b>	<b>Unit</b>
1	2.640-729.0	O-Ring seal set	1.000	ST
2	4.760-535.0	VPS K2 025	1.000	ST
3	4.764-243.0	Dirt blaster K2 027 St	1.000	ST
4	2.640-589.0	Brush lengthwise	1.000	ST





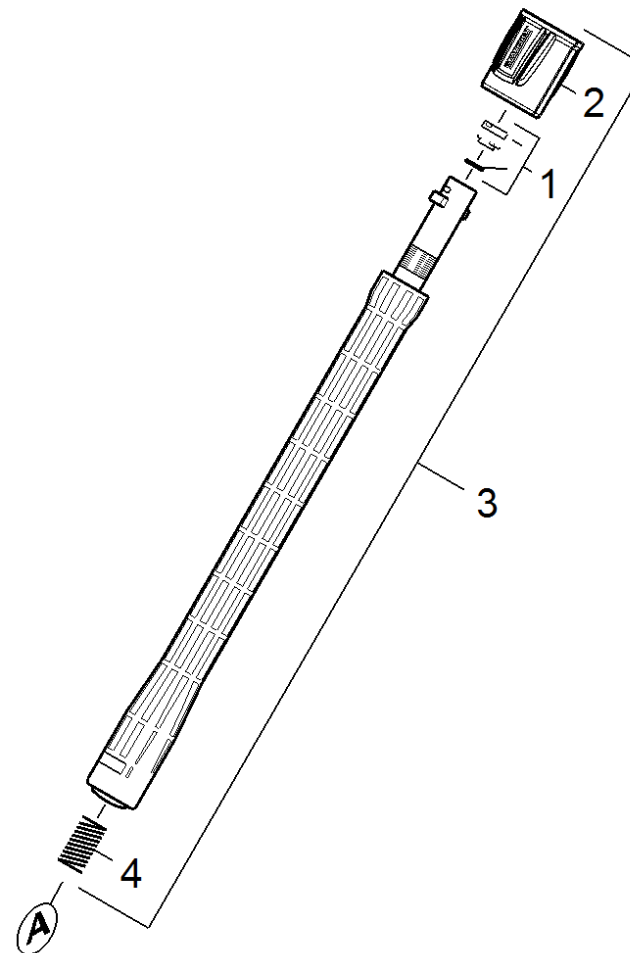
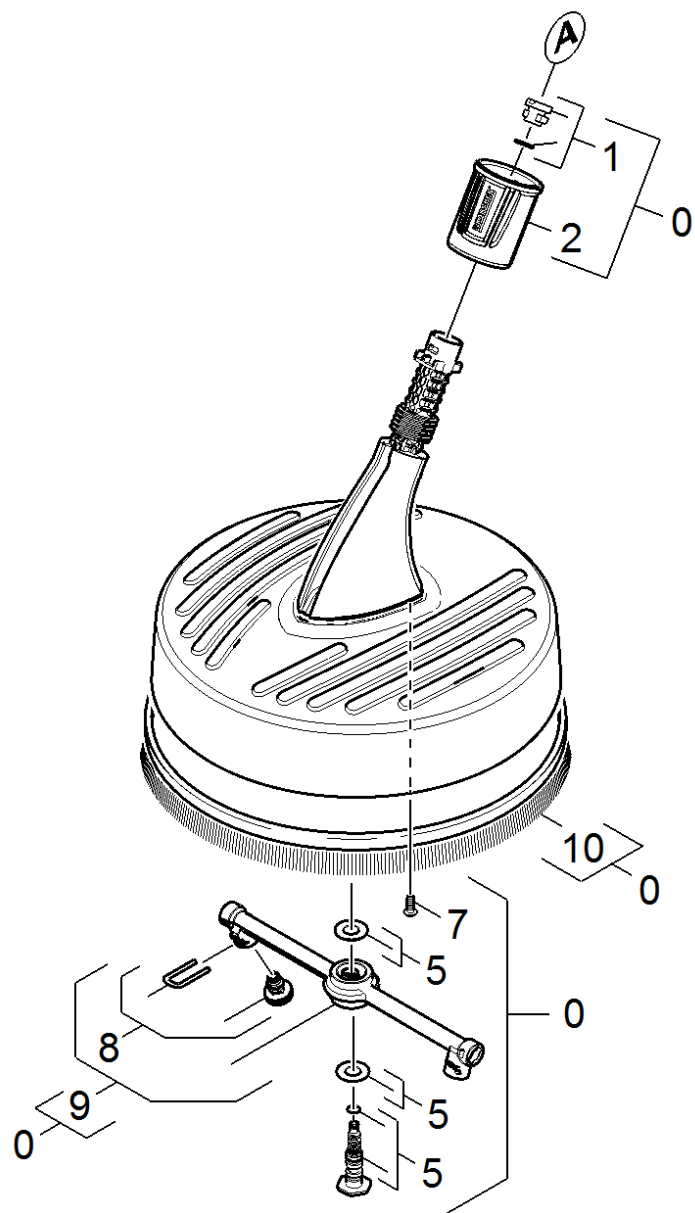
<b>POS</b>	<b>Article no.</b>	<b>Description</b>	<b>Quantity</b>	<b>Unit</b>
1	2.640-729.0	O-Ring seal set	1.000	ST



3 Dirt blaster K2 027 St (4.764-243.0)

---

POS	Article no.	Description	Quantity	Unit
1	2.640-729.0	O-Ring seal set	1.000	ST



## 44 T-Racer

---

<b>POS</b>	<b>Article no.</b>	<b>Description</b>	<b>Quantity</b>	<b>Unit</b>
0	2.641-746.0	T 50 Gerätebeilage	1.000	ST
1	2.640-729.0	O-Ring seal set	3.000	ST
2	5.310-160.0	Nut Kaercher	3.000	ST
3	2.643-240.0	Single-step jet pipe extension	1.000	ST
4	5.332-464.0	Pressure spring	2.000	ST
5	2.883-994.0	Spare part set set of gaskets neutrally	1.000	ST
7	7.303-106.0	Screw 4x12 -10.9-R2R (IN6RD)	3.000	ST
8	2.643-338.0	Spare parts nozzles T-Racer	1.000	ST
9	2.884-530.0	Spare part set rotor T 50	1.000	ST
10	6.369-978.0	Strip brush complete	1.000	ST

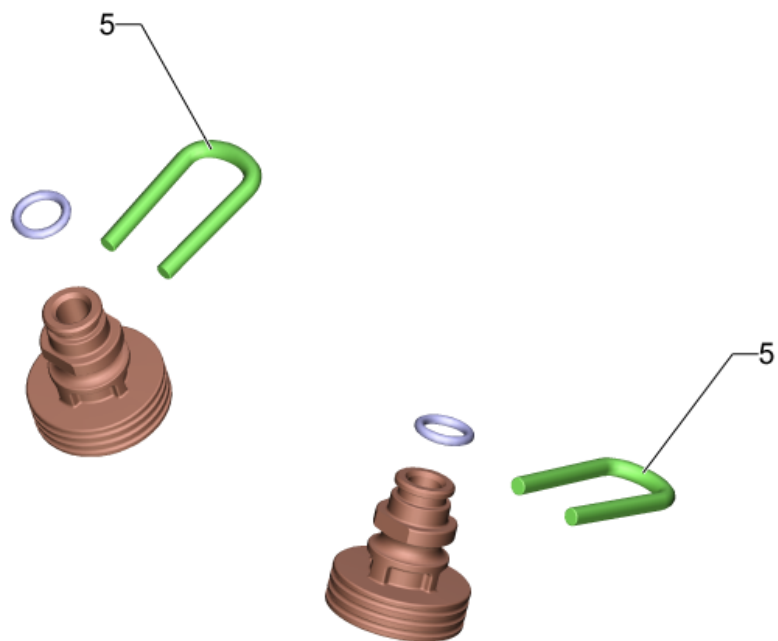


### 3 Single-step jet pipe extension (2.643-240.0)




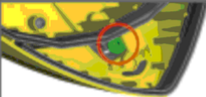




---




<b>POS</b>	<b>Article no.</b>	<b>Description</b>	<b>Quantity</b>	<b>Unit</b>
3	2.640-729.0	O-Ring seal set	1.000	ST
8	5.332-464.0	Pressure spring	1.000	ST
10	5.310-160.0	Nut Kaercher	1.000	ST








8 Spare parts nozzles T-Racer (2.643-338.0)

T 50, T 70, T 80, T 100 T 150, T 200, T 250, T 300, T 400, T 450, T 550	K 2 - K 5		
	K 6 - K 7		
T 400, T 450 T 550			
T 200, T 250	K 6 - K 7		
T 350 Gas			

	K 3 - K 5	
	K 6 - K 7	

	K 2	
	K 3 - K 5	

## 8 Spare parts nozzles T-Racer (2.643-338.0)

POS	Article no.	Description	Quantity	Unit	Remark	Foot note text
1	4.764-155.0	Nozzle complete 15015	1.000	ST	<13 MPa (<130 bar)	GREY
	<b>Item text1:</b> 015					
2	4.764-156.0	Nozzle complete 15020	1.000	ST	13 MPa (130 bar) - 16 MPa (160 bar)	YELLOW
	<b>Item text1:</b> 020					
3		Nozzle complete 15027	1.000	ST		BLACK
	<b>Item text1:</b> 027					
4	4.764-190.0	Nozzle kpl. 75047	1.000	ST		GREEN
	<b>Item text1:</b> 047					
5	5.037-151.0	Clamp	2.000	ST		