

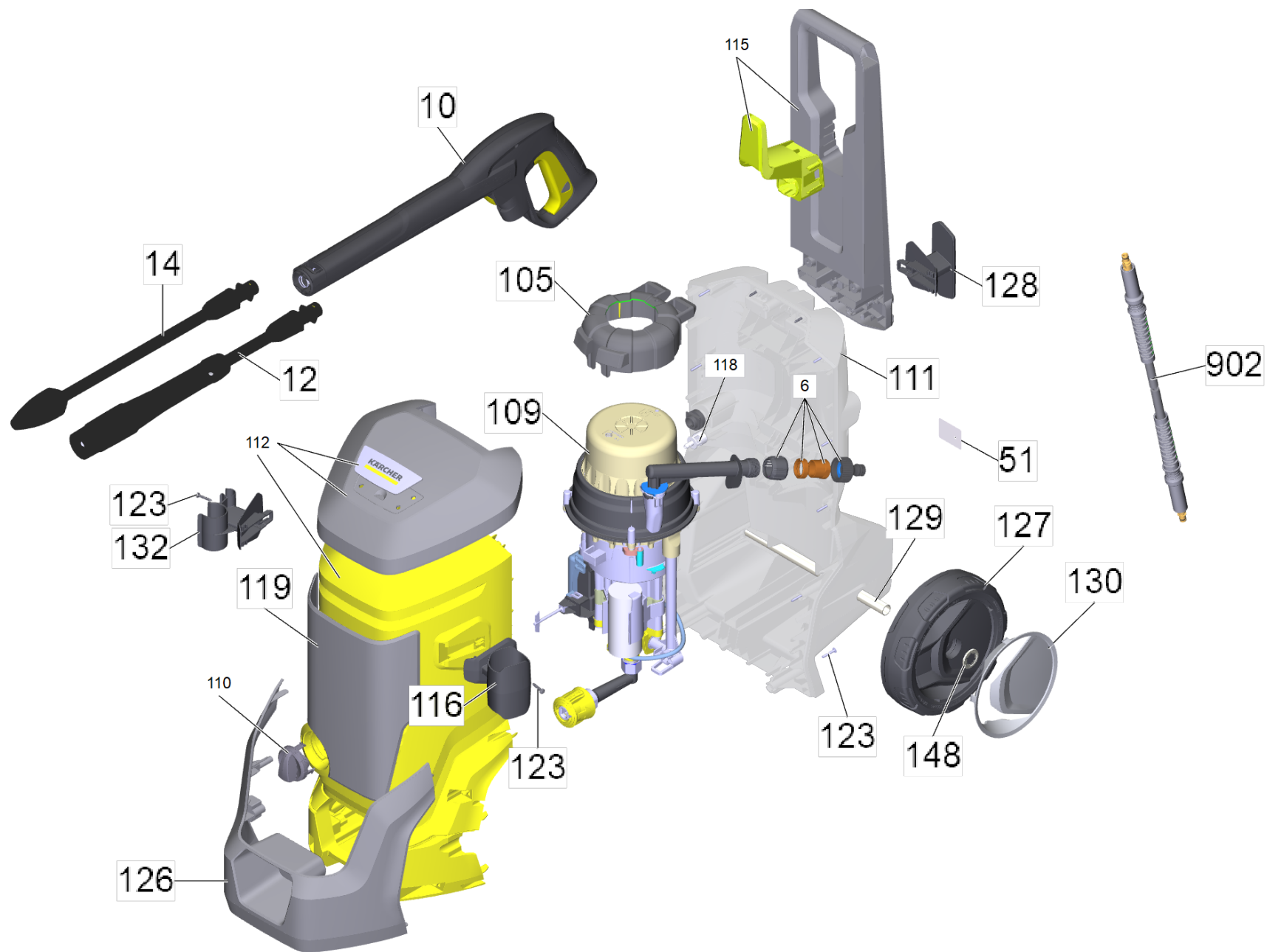
## **Spare parts list**

(1.317-400.0) K 7 WCM \*EU

## Table of contents

---

K 7 WCM *EU (1.317-400.0)	3
10 G 180 Q Trigger gun Quick Connect (2.642-889.0)	5
12 VP 145 Vario Power Jet (packaged) (2.642-725.0)	7
14 DB 145 rotor nozzle packaged (2.642-728.0)	9
109 Pump set complete KP-7/0-AI *EU	11
50 Transmission complete K7 WCM H115 *EU (4.551-332.3)	13
51 Pump head complete	15
101 Piston guidance complete	17
102 Cylinder head alluminio completo (c/imballo) (9.002-525.0)	19
104 Valve pin complete (4.584-022.0)	20
105 Plug complete (4.580-702.0)	22
114 Nozzle insert only for replacement (4.769-034.0)	24
999 Spare parts set excess-current (2.885-186.0)	26
103 Control piston complete replacement (2.885-408.0)	28
53 Spare parts set electric box (2.885-189.0)	30
53 Electric box complete	32
901 Tool (2.901-048.0)	34
118 Hose Detergent Compact NCR	36
902 High pressure hose 18MPa/10 60°C QC B (6.396-492.0)	38



## K 7 WCM \*EU (1.317-400.0)

POS	Article no.	Description	Quantity	Unit
6	2.645-010.0	Tap adaptor for inhouse fittings	1	PC
10	2.642-889.0	G 180 Q Trigger gun Quick Connect	1	PC
12	2.642-725.0	VP 145 Vario Power Jet (packaged)	1	PC
14	2.642-728.0	DB 145 rotor nozzle packaged	1	PC
51	5.387-620.0	Warning sign new	1	PC
105	5.322-164.0	Holder pump set	1	PC
109		Pump set complete KP-7/0-AI *EU	1	PC
110	9.037-693.0	Handhold switch	1	PC
111	9.038-790.3	Housing rear K7 WCM	1	PC
112	4.101-102.0	Housing front cpl. K7 WCM	1	PC
115	4.101-101.0	Hand grip cpl.	1	PC
116	5.039-600.3	Holder pistol black (PFR)	1	PC
118		Hose Detergent Compact NCR	1	PC
119	9.038-793.3	Screen front K7 WCM	1	PC
123	9.086-221.0	Screw ATF 4.1x22	11	PC
126	9.038-791.3	Bumper K7 WCM	1	PC
127	5.515-071.0	Wheel D200	2	PC
128	5.039-601.0	Holder for hose and cable (MR) s./b.	1	PC
129	5.105-361.0	Axle L=310	1	PC
130	2.885-473.0	Spare parts set screen wheel	1	PC
132	9.038-781.3	Holder jet pipe double WCM	1	PC
148	6.343-168.0	Lock washer	2	PC
902	6.396-492.0	High pressure hose 18MPa/10 60°C QC B	1	PC

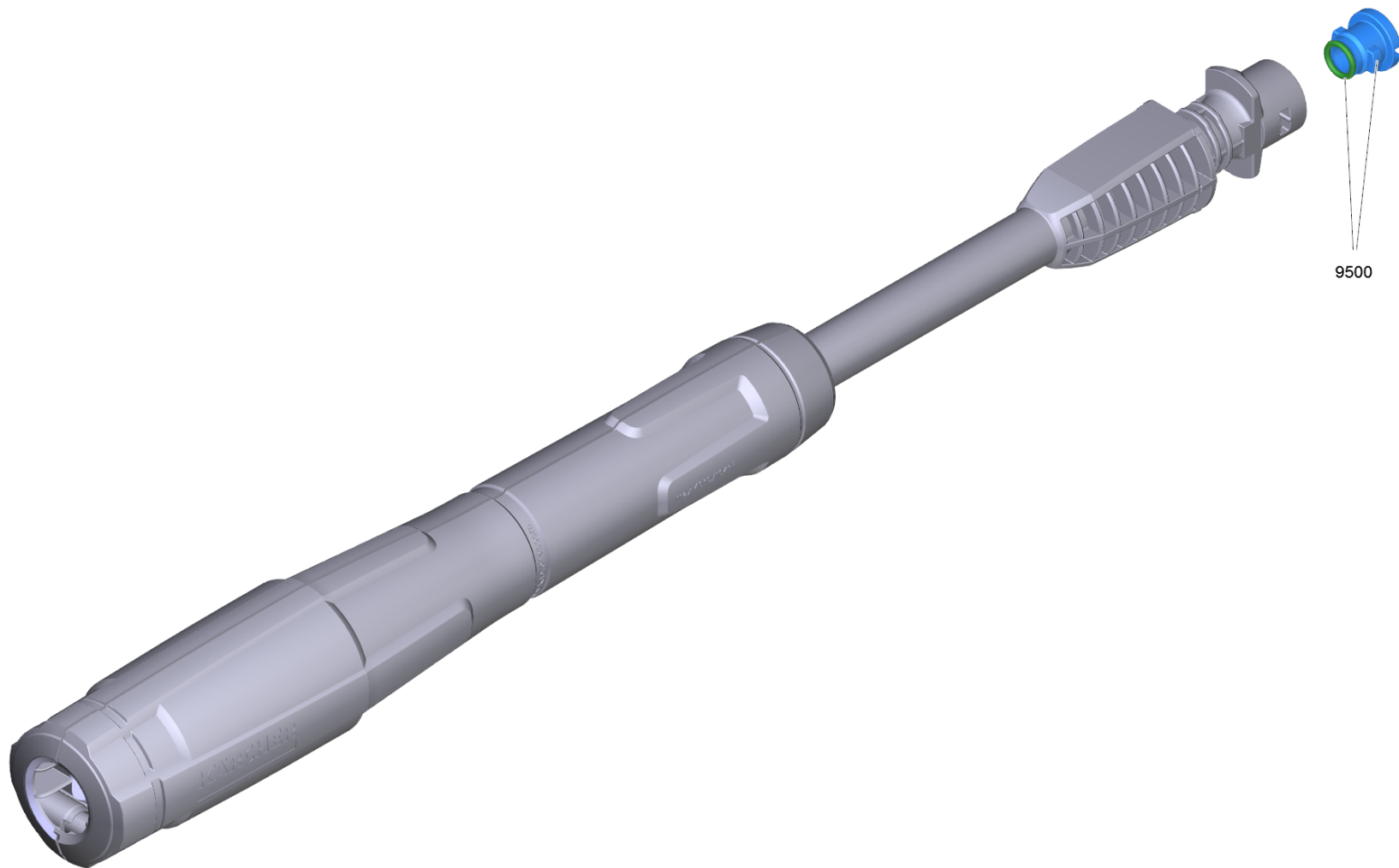


10 G 180 Q Trigger gun Quick Connect (2.642-889.0)

---

<b>POS</b>	<b>Article no.</b>	<b>Description</b>	<b>Quantity</b>	<b>Unit</b>
1	5.332-464.0	Pressure spring	1	PC

---



12 VP 145 Vario Power Jet (packaged) (2.642-725.0)

---

<b>POS</b>	<b>Article no.</b>	<b>Description</b>	<b>Quantity</b>	<b>Unit</b>
9500	2.640-729.0	O-Ring seal set	1	PC

---



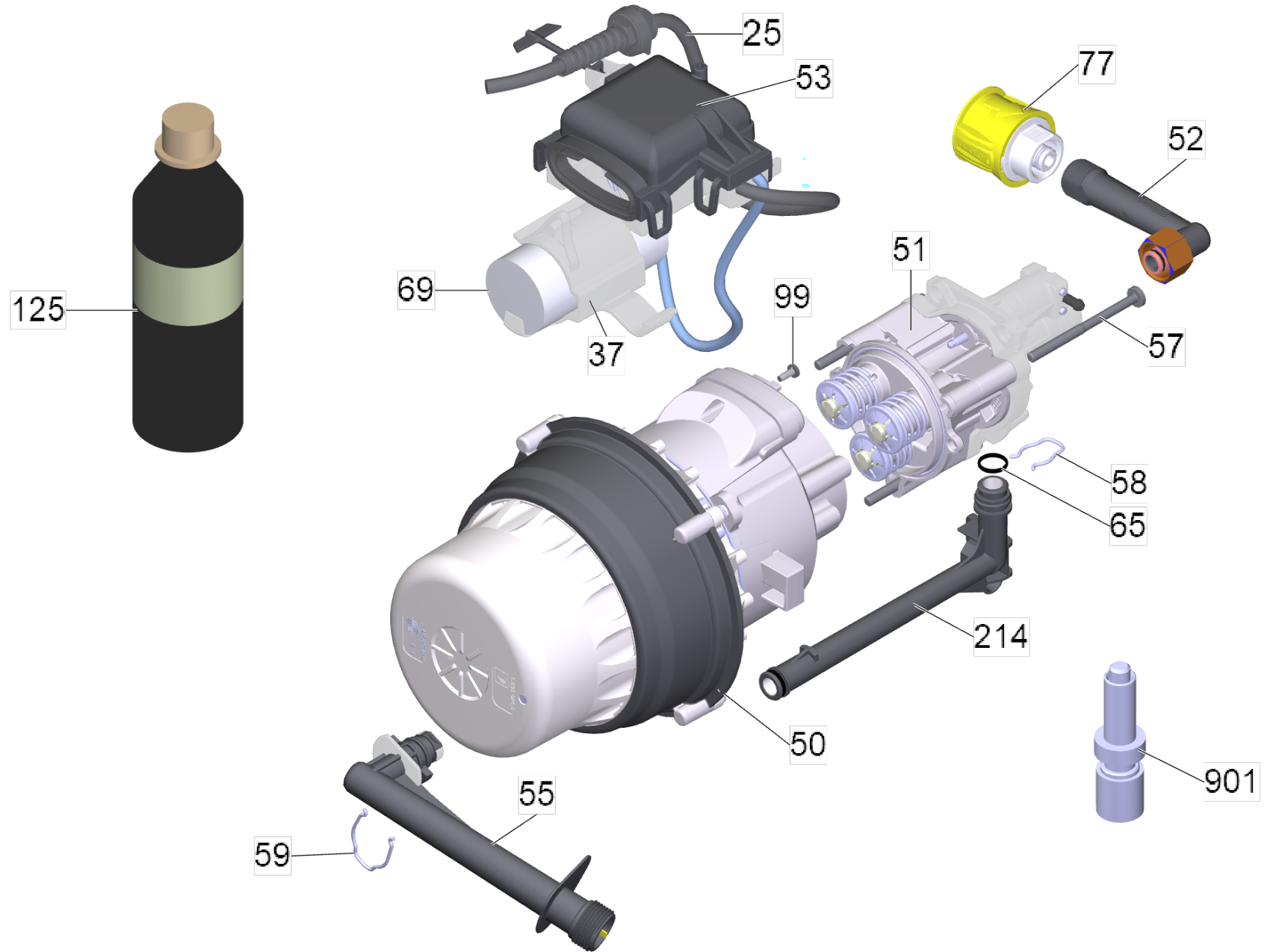


14 DB 145 rotor nozzle packaged (2.642-728.0)

---

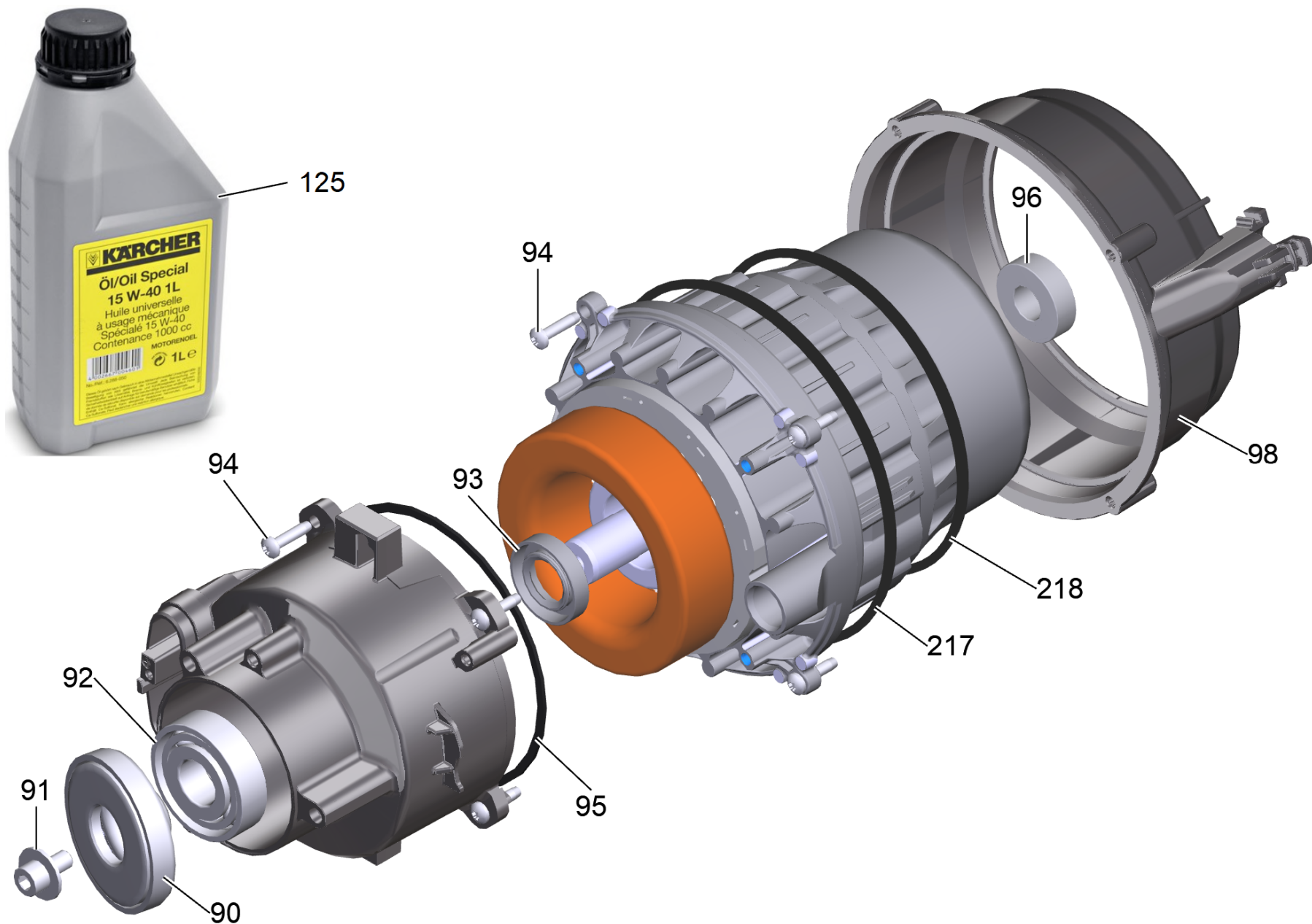
<b>POS</b>	<b>Article no.</b>	<b>Description</b>	<b>Quantity</b>	<b>Unit</b>
9500	2.640-729.0	O-Ring seal set	1	PC

---



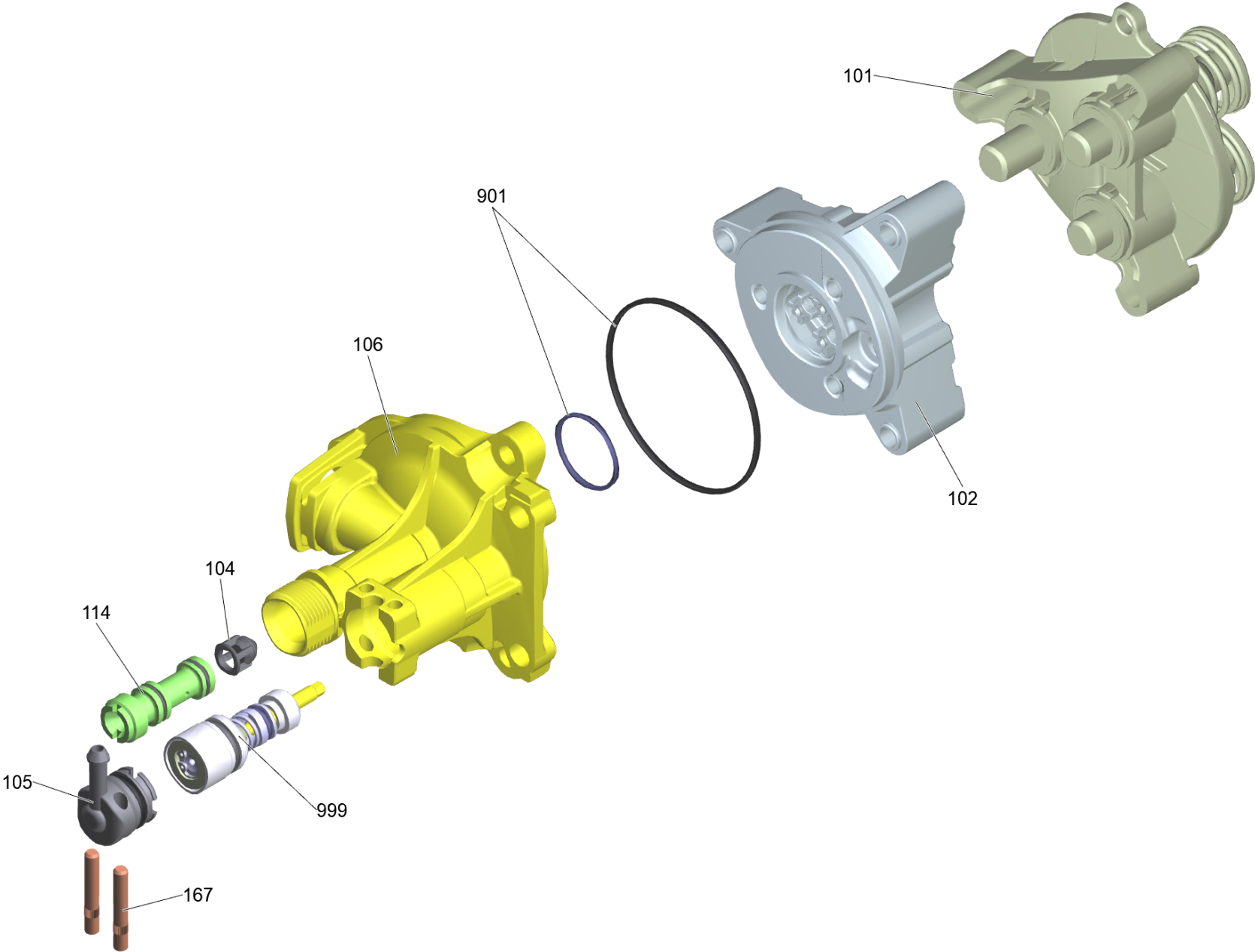
109 Pump set complete KP-7/0-AI \*EU

POS	Article no.	Description	Quantity	Unit
25	6.649-740.0	Cable with plug *EU	1	PC
37	5.322-313.0	Holder capacitor	1	PC
50	4.551-332.3	Transmission complete K7 WCM H115 *EU	1	PC
51		Pump head complete	1	PC
52	9.002-524.0	Output complete K7	1	PC
53	2.885-189.0	Spare parts set electric box	1	PC
55	4.101-103.0	Intake with filter cpl.	1	PC
57	6.303-042.0	Screw M6x80	3	PC
58	5.048-915.0	Clamp	1	PC
59	5.048-065.0	Clamp pipe intake	1	PC
65	6.363-610.0	O-Ring seal 13 x 3 -NBR	1	PC
69	9.002-614.0	Capacitor replacement 6.661-288.0	1	PC
77	4.470-041.0	High pressure quick-fitting pipe union A	1	PC
99	7.303-031.0	Screw M4x10 -St-P2R (In6Rd)	1	PC
125	6.288-050.0	Engine oil 1L	1	PC
214	5.443-654.0	Tube Ruecklauf WCM K7 D117	1	PC
901	2.901-048.0	Tool	1	PC



## 50 Transmission complete K7 WCM H115 \*EU (4.551-332.3)

POS	Article no.	Description	Quantity	Unit
90	9.002-541.0	Rotor disc oscillante	1	PC
91	9.086-169.0	Wobble plate screw M8x16	1	PC
92		Bearing for replacement	1	PC
93	6.367-051.0	Rotary shaft seal -20X37X8 NBR	1	PC
94	6.303-320.0	Screw M 5x 20-St-R2R	8	PC
95	5.363-453.0	Joint ring D116 x 1,8	1	PC
96	4.401-198.0	Ball bearing 6202-2RS -Wälzl.St DIN 625	1	PC
98	5.093-025.0	Outer covering water flow	1	PC
125	6.288-050.0	Engine oil 1L	1	PC
217	6.363-593.0	O-Ring seal 146x5 EPDM	1	PC
218	6.363-647.0	O-Ring seal D130x5	1	PC

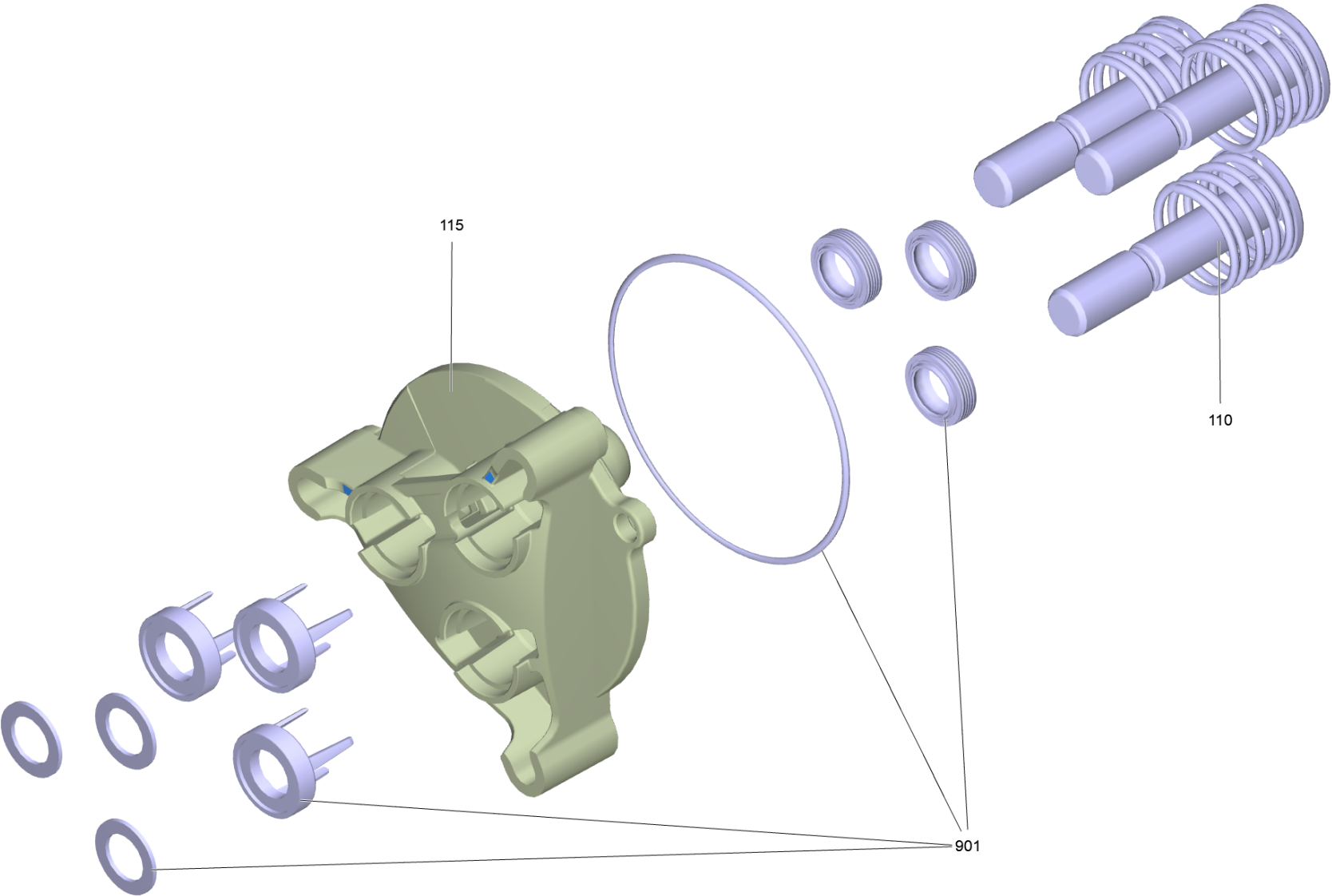


## 51 Pump head complete

---

POS	Article no.	Description	Quantity	Unit
101		Piston guidance complete	1	PC
102	9.002-525.0	Cylinder head alluminio completo (c/imballo)	1	PC
104	4.584-022.0	Valve pin complete	1	PC
105	4.580-702.0	Plug complete	1	PC
106	5.062-149.0	Housing	1	PC
114	4.769-034.0	Nozzle insert only for replacement	1	PC
167	5.314-150.0	Pin	2	PC
901	4.100-834.0	Spare parts set seals	1	PC
999	2.885-186.0	Spare parts set excess-current	1	PC





## 101 Piston guidance complete

---

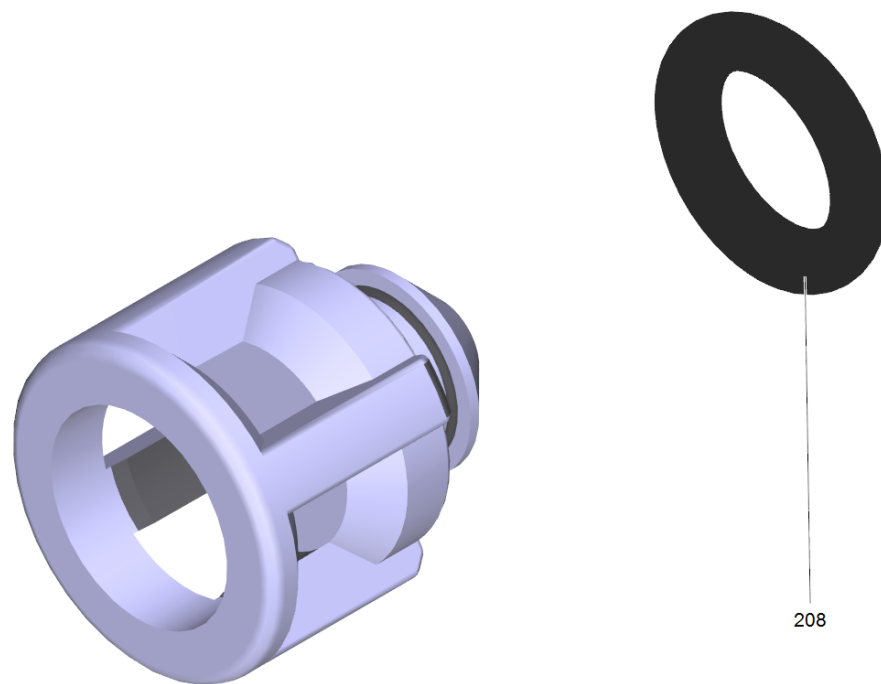
<b>POS</b>	<b>Article no.</b>	<b>Description</b>	<b>Quantity</b>	<b>Unit</b>
110	9.002-522.0	Piston completo K7 (c/imballo)	3	PC
115	5.062-655.0	Piston guidance K7	1	PC
901	4.100-834.0	Spare parts set seals	1	PC

102 Cylinder head alluminio completo (c/imballo) (9.002-525.0)

---

POS	Article no.	Description	Quantity	Unit
149	6.363-435.0	Grooved ring 12x17x4,25/2,5	3	PC

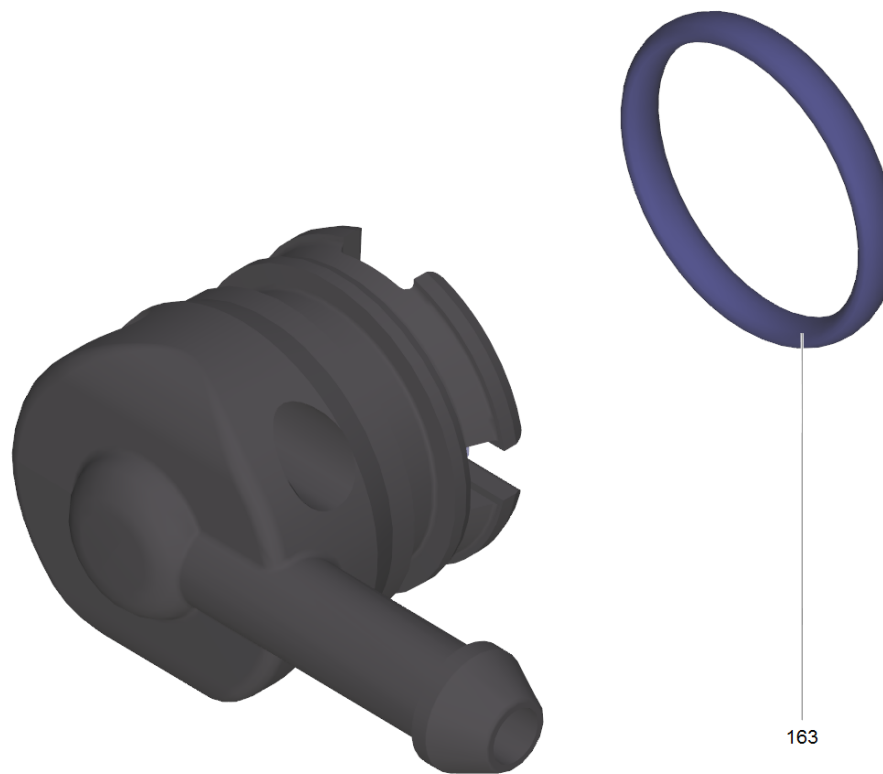
---



104 Valve pin complete (4.584-022.0)

---

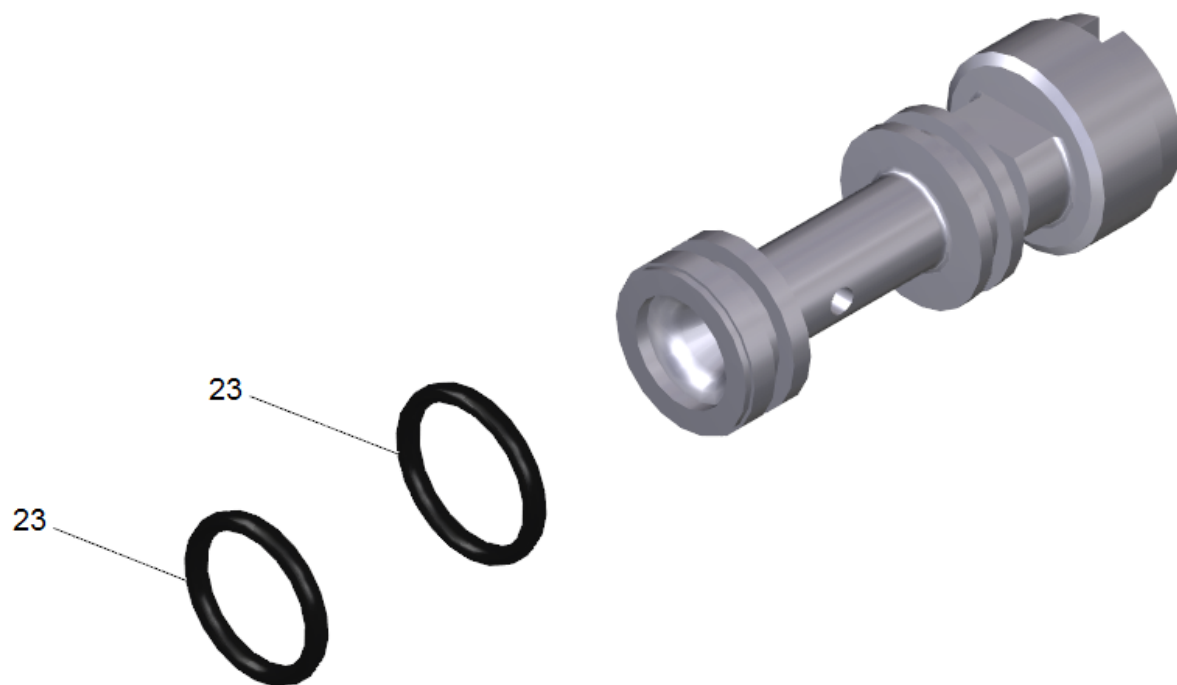
<b>POS</b>	<b>Article no.</b>	<b>Description</b>	<b>Quantity</b>	<b>Unit</b>
208	6.363-613.0	O-Ring seal 4 x 2 -NBR90	1	PC



105 Plug complete (4.580-702.0)

---

<b>POS</b>	<b>Article no.</b>	<b>Description</b>	<b>Quantity</b>	<b>Unit</b>
163	6.362-030.0	O-Ring seal 15x2 90 Shore IRHD	1	PC

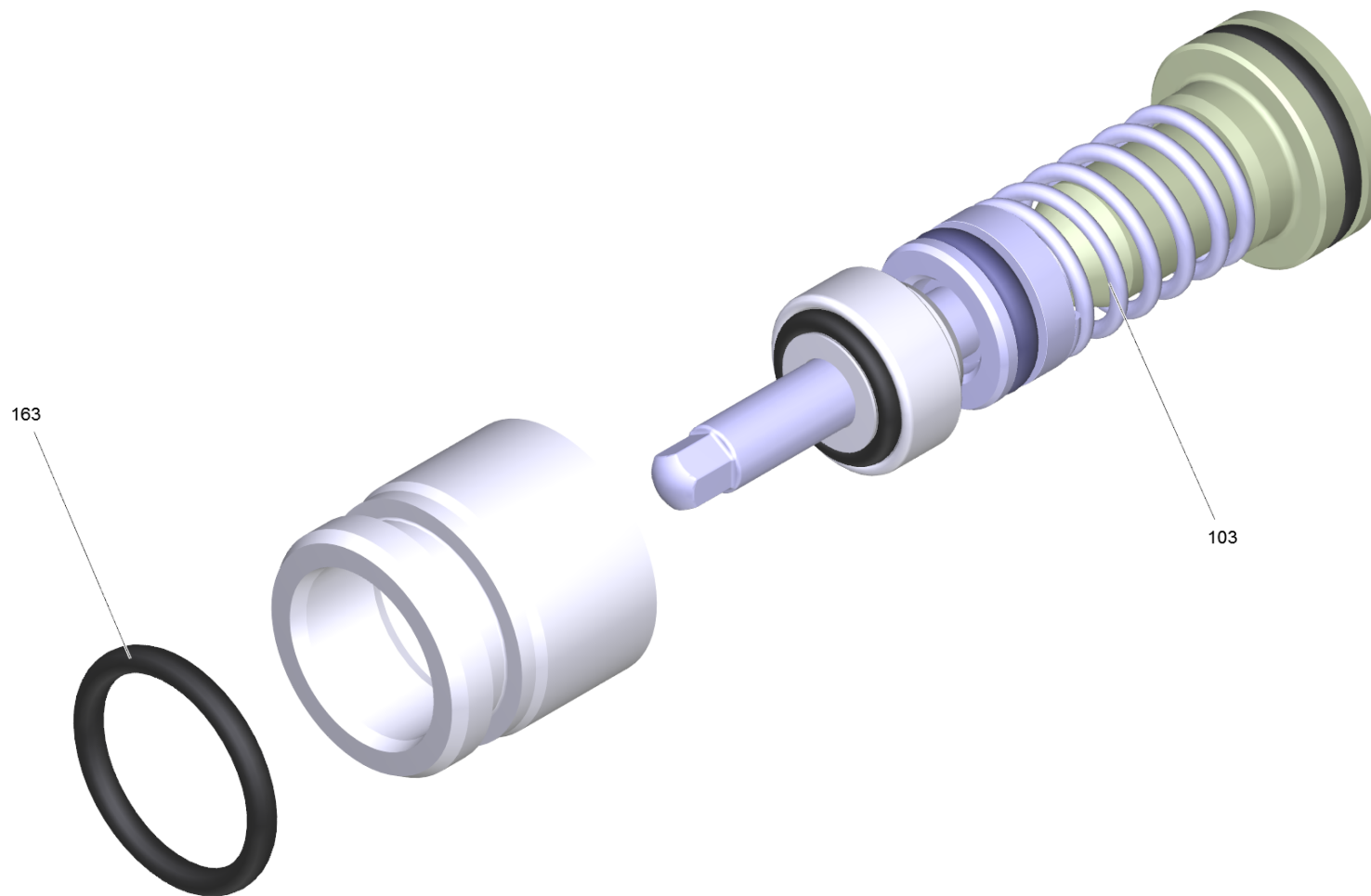




114 Nozzle insert only for replacement (4.769-034.0)

---

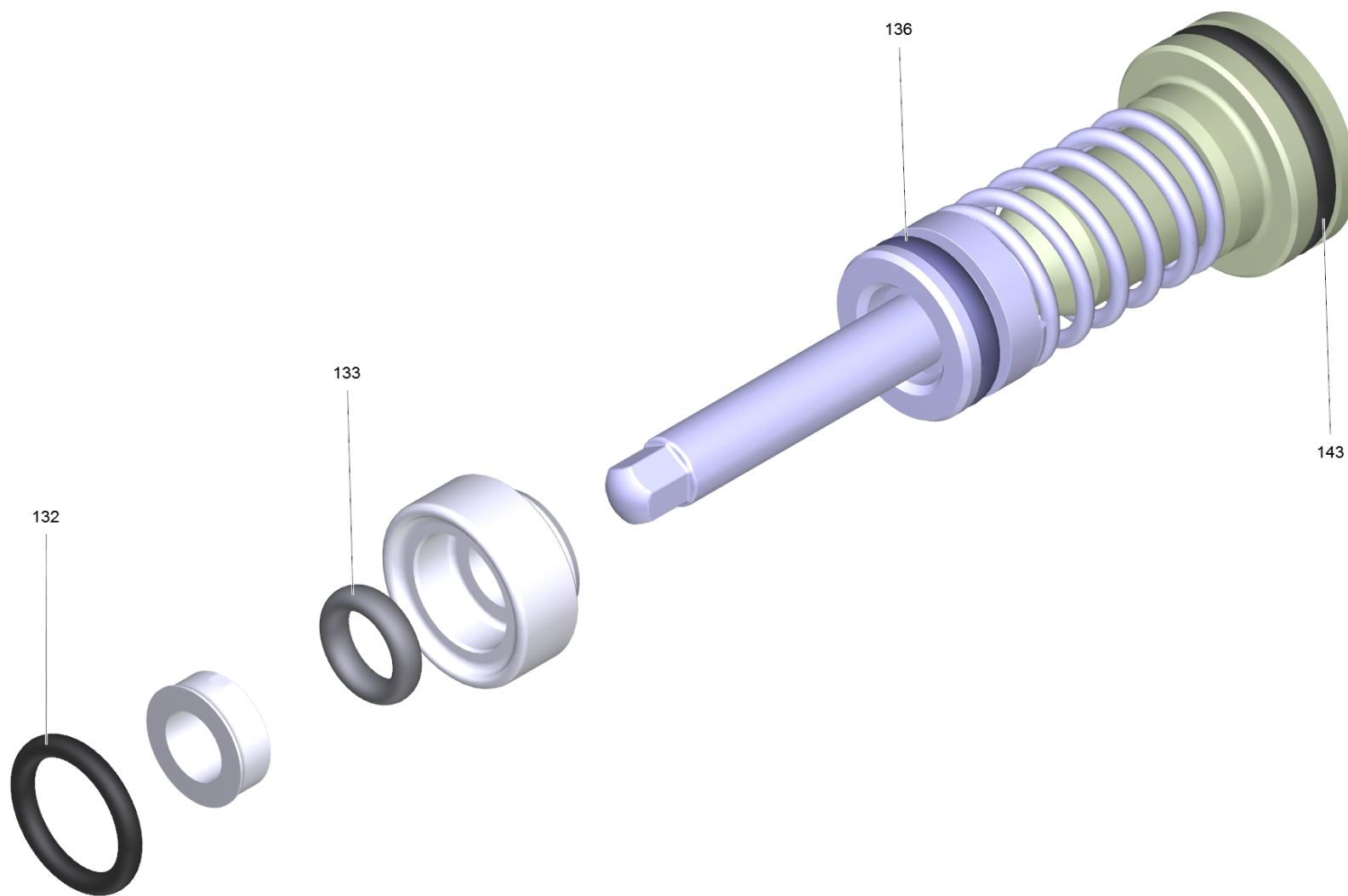
POS	Article no.	Description	Quantity	Unit
23	6.362-384.0	O-Ring seal 9x1,5 - NBR 70	2	PC



999 Spare parts set excess-current (2.885-186.0)

---

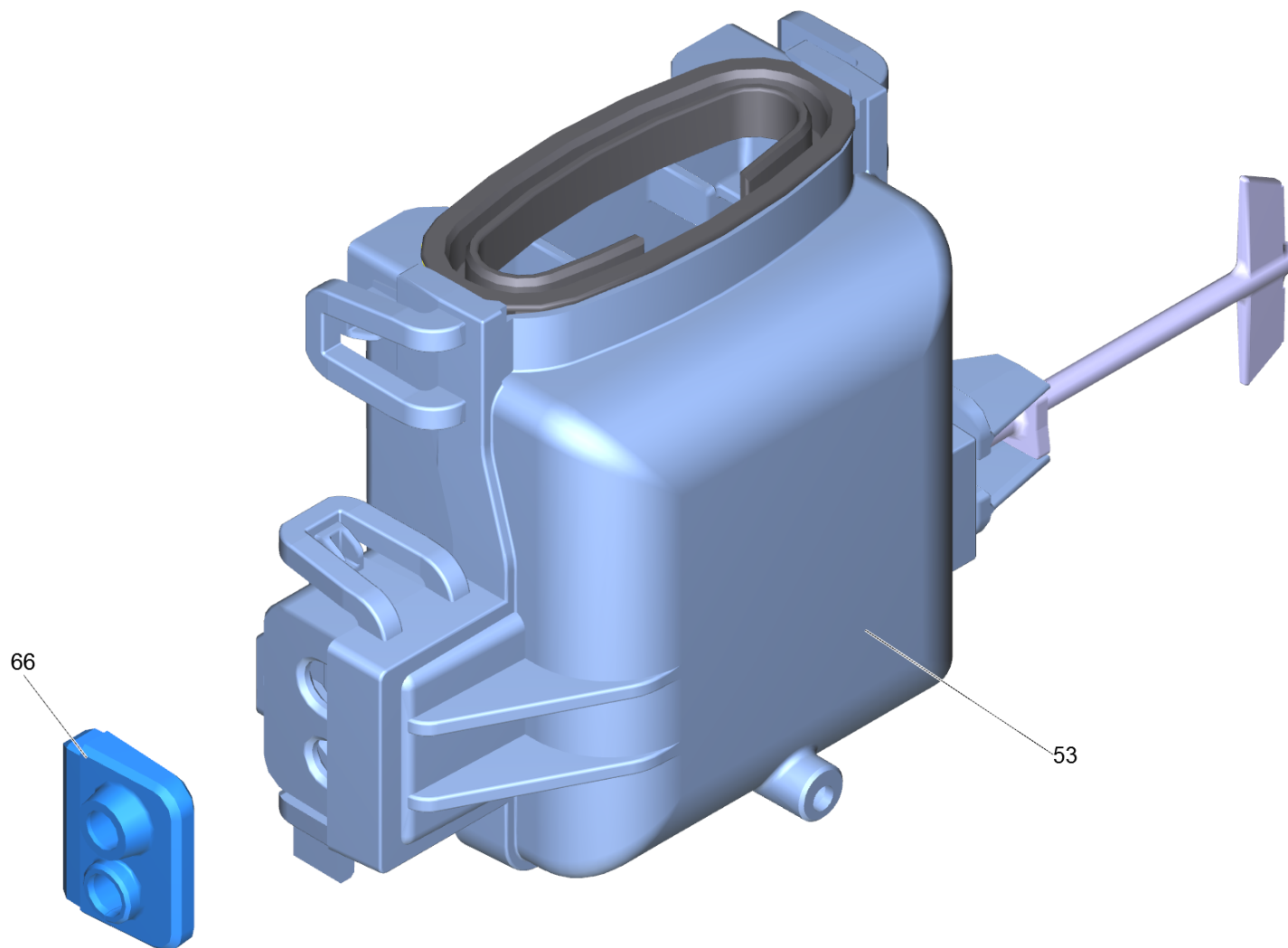
<b>POS</b>	<b>Article no.</b>	<b>Description</b>	<b>Quantity</b>	<b>Unit</b>
103	2.885-408.0	Control piston complete replacement	1	PC
163	6.362-030.0	O-Ring seal 15x2 90 Shore IRHD	1	PC



## 103 Control piston complete replacement (2.885-408.0)

---

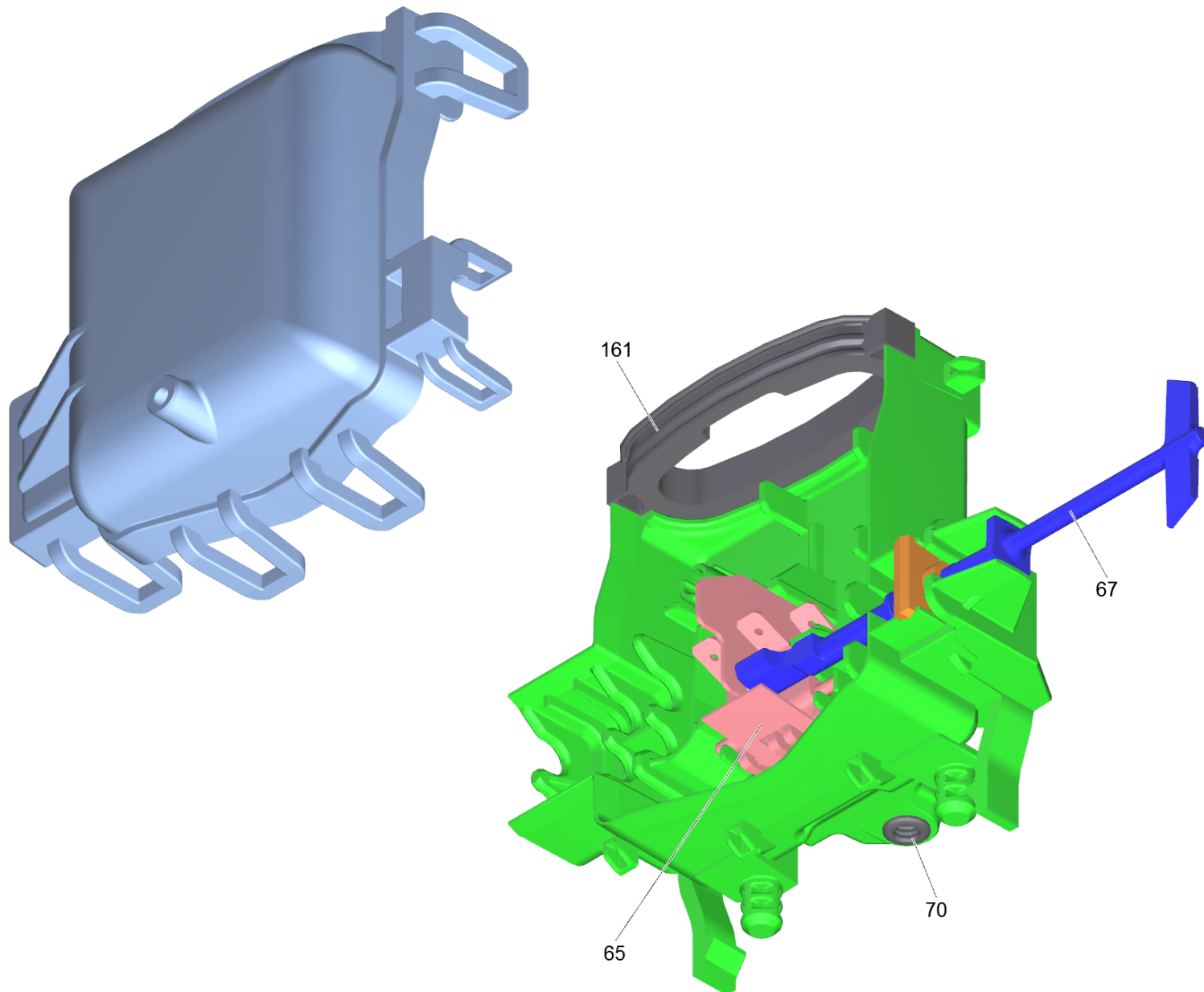
<b>POS</b>	<b>Article no.</b>	<b>Description</b>	<b>Quantity</b>	<b>Unit</b>
132	6.362-101.0	O-Ring seal 8 X 2	1	PC
133	6.363-606.0	O-Ring seal 4,7 x 1,9 -NBR70	1	PC
136	6.363-614.0	O-Ring seal 9 x 2 -NBR90	1	PC
143	6.362-381.0	O-Ring seal 13x2 - NBR 70	1	PC



53 Spare parts set electric box (2.885-189.0)

---

<b>POS</b>	<b>Article no.</b>	<b>Description</b>	<b>Quantity</b>	<b>Unit</b>
40	7.303-235.0	Screw M6x50 -St-A2K (In6Rd)	2	PC
53		Electric box complete	1	PC
66	5.363-744.0	Seal cable	1	PC

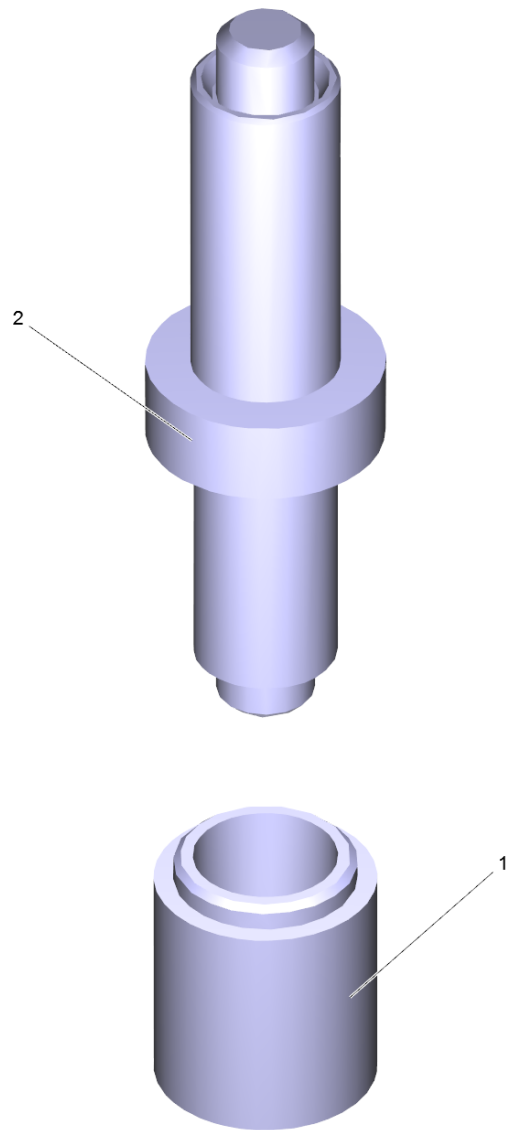




## 53 Electric box complete

---

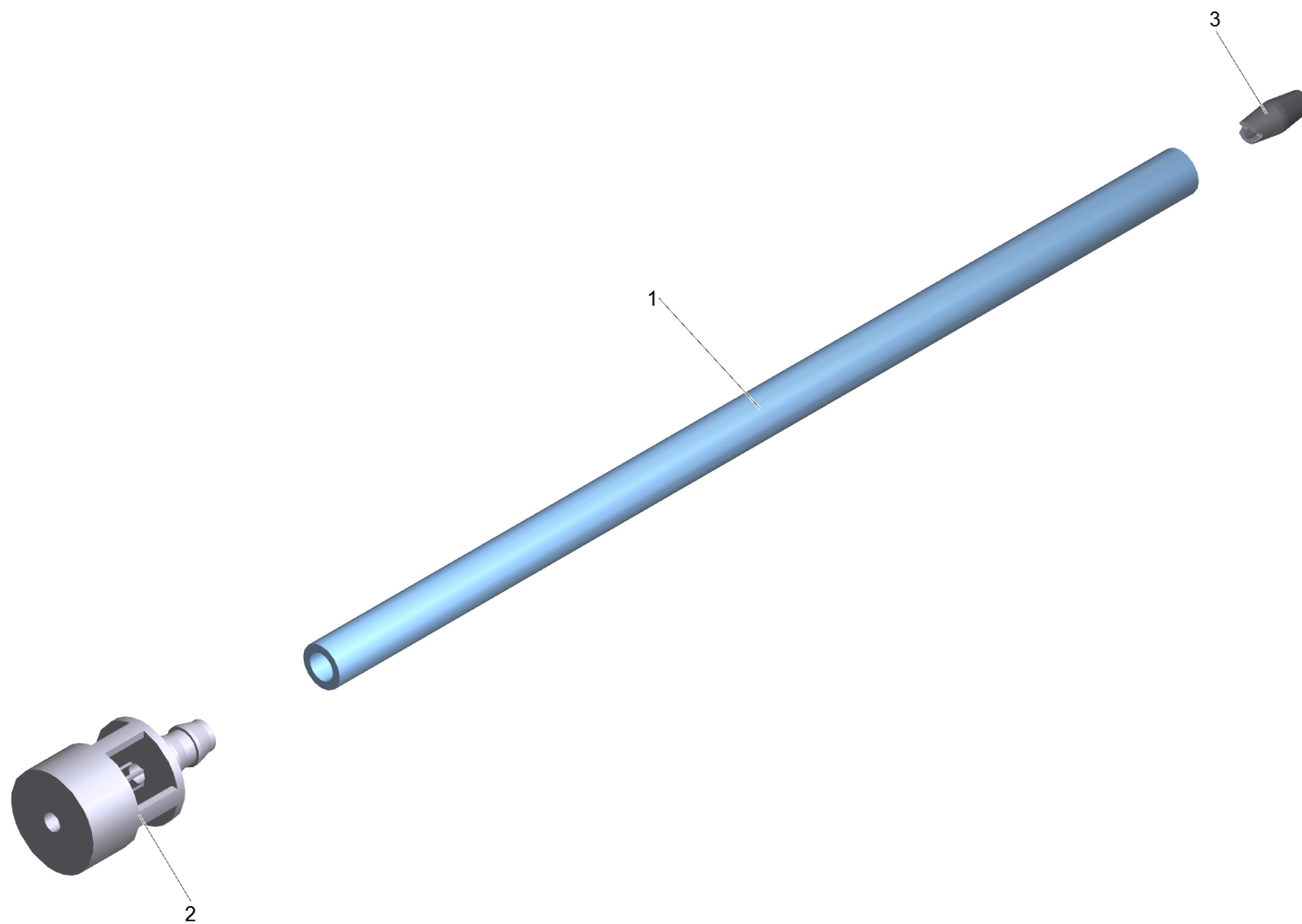
<b>POS</b>	<b>Article no.</b>	<b>Description</b>	<b>Quantity</b>	<b>Unit</b>
65	6.961-079.3	Micro switch	1	PC
67	2.885-190.0	Selector shaft spare parts set	1	PC
70	5.363-749.0	Seal control piston	1	PC
161	5.363-761.0	Seal label	1	PC



901 Tool (2.901-048.0)

---

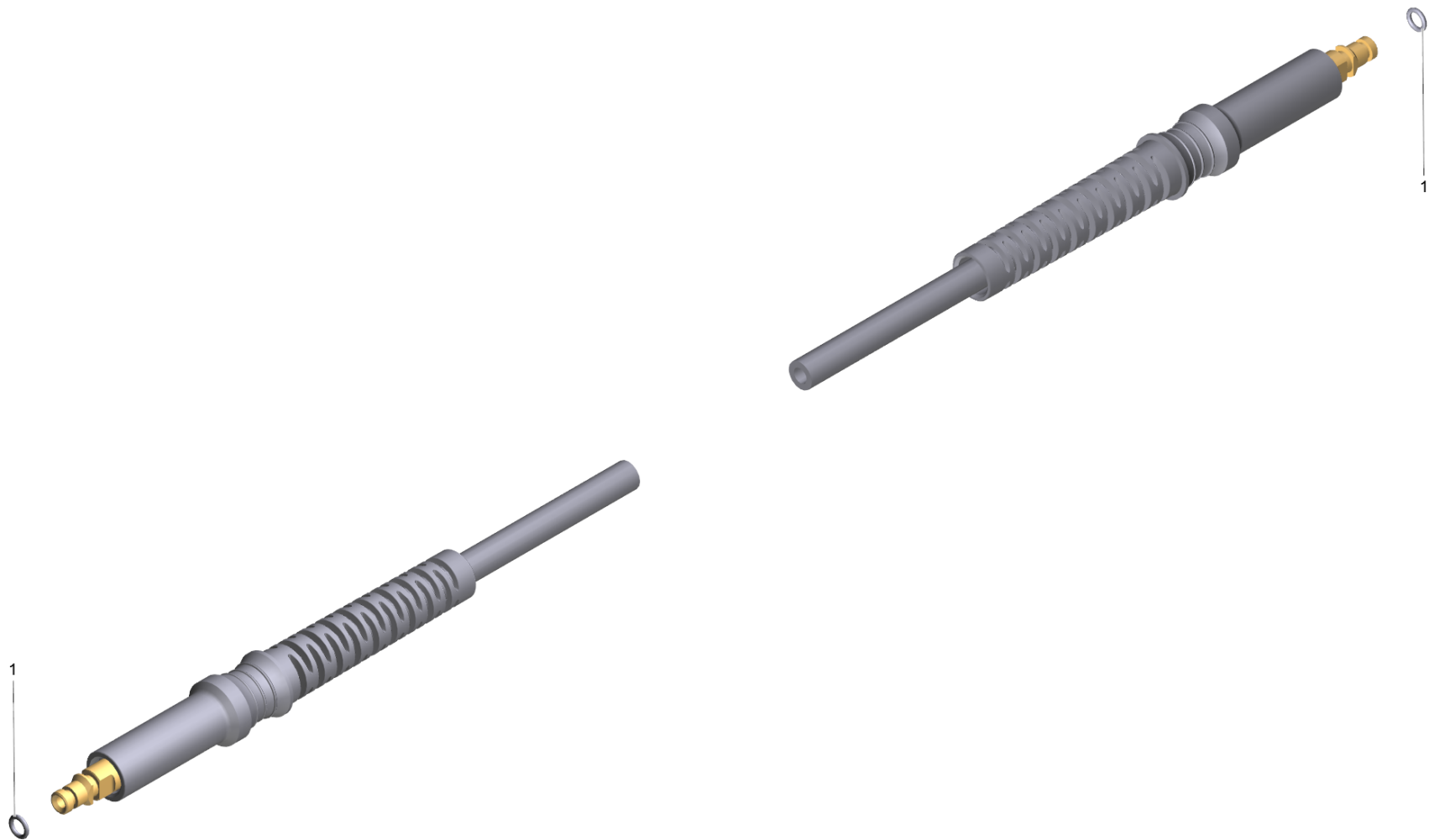
<b>POS</b>	<b>Article no.</b>	<b>Description</b>	<b>Quantity</b>	<b>Unit</b>
1	5.901-223.0	Fitting case C=21,4- D=16,9mm	1	PC
2	5.901-224.0	Assembly mandril A=16,8-B=11,5mm	1	PC



## 118 Hose Detergent Compact NCR

---

<b>POS</b>	<b>Article no.</b>	<b>Description</b>	<b>Quantity</b>	<b>Unit</b>
1	6.388-216.0	Hose DN 5 (PVC)	0,75	m
2	5.731-652.0	Filter with weight	1	PC
3	9.038-548.0	Flow reducer detergent	1	PC



902 High pressure hose 18MPa/10 60°C QC B (6.396-492.0)

---

<b>POS</b>	<b>Article no.</b>	<b>Description</b>	<b>Quantity</b>	<b>Unit</b>
1	2.640-729.0	O-Ring seal set	1	PC

---