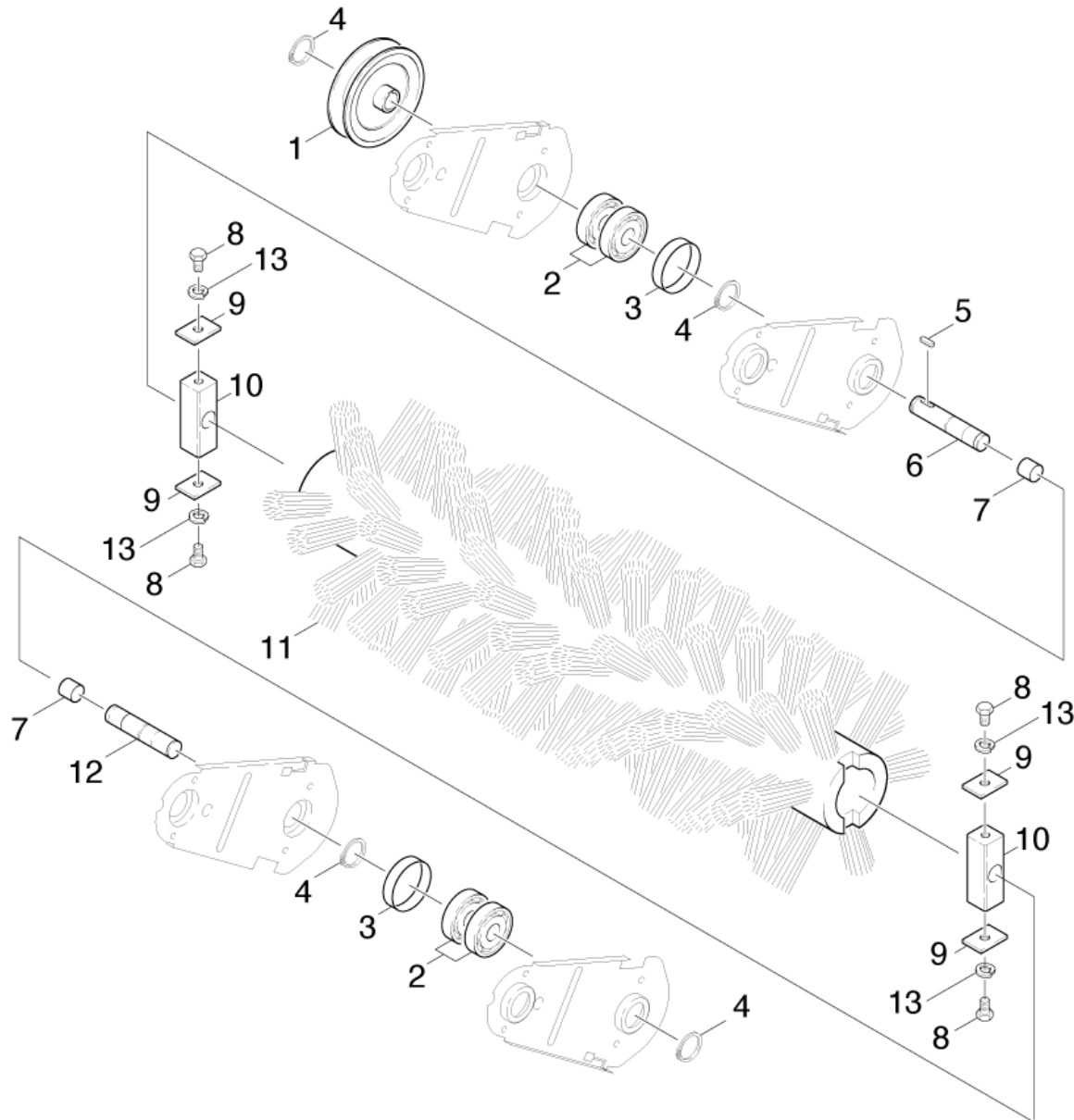


34 Reversing rolling mill

Professional \ Sweepers \ Ride-on \ Electric motor \ KM 90/45 R *EU \ Spare parts list KM 90/45 R \ Sweep roller chest \ Reversing rolling mill



34 Reversing rolling mill

Professional \ Sweepers \ Ride-on \ Electric motor \ KM 90/45 R *EU \ Spare parts list KM 90/45 R \ Sweep roller chest \ Reversing rolling mill

KÄRCHER

POS	Article no.	Description	Quantity	Unit	Foot note text
2	7.401-022.0	Ball bearing 16003-2RS-WST PREISW. DIN 6	4	PC	
1	5.625-380.0	Belt pulley	1	PC	
8	7.304-538.0	Hexagonal head screw M8x16-A4-70 ISO 40	4	PC	
4	7.343-006.0	Locking ring 17x1-St-ph DIN 471	4	PC	
5	7.318-002.0	Parallel key A 5x5x16-C45K DIN 6885-1	1	PC	
9	5.001-536.0	Plate	4	PC	
11	6.906-537.0	Reversing rolling mill antistatic	1	PC	
11	6.905-923.0	Reversing rolling mill hard	1	PC	
11	6.906-028.0	Reversing rolling mill Profi TRAC	1	PC	STANDARD
6	5.100-360.0	SHAFT RECHTS	1	PC	
13	7.313-004.0	Spring washer B8-FSt-A3E DIN 127	4	PC	
10	7.777-999.0	Stockpiling discontinued	2	PC	
11	7.777-999.0	Stockpiling discontinued	1	PC	
12	7.777-999.0	Stockpiling discontinued	1	PC	
3	6.343-203.0	Tolerance ring	4	PC	
7	6.343-200.0	Tolerance ring	2	PC	