

Spare parts list

(1.723-814.0) A 2675 Jubilee *EU

Table of contents

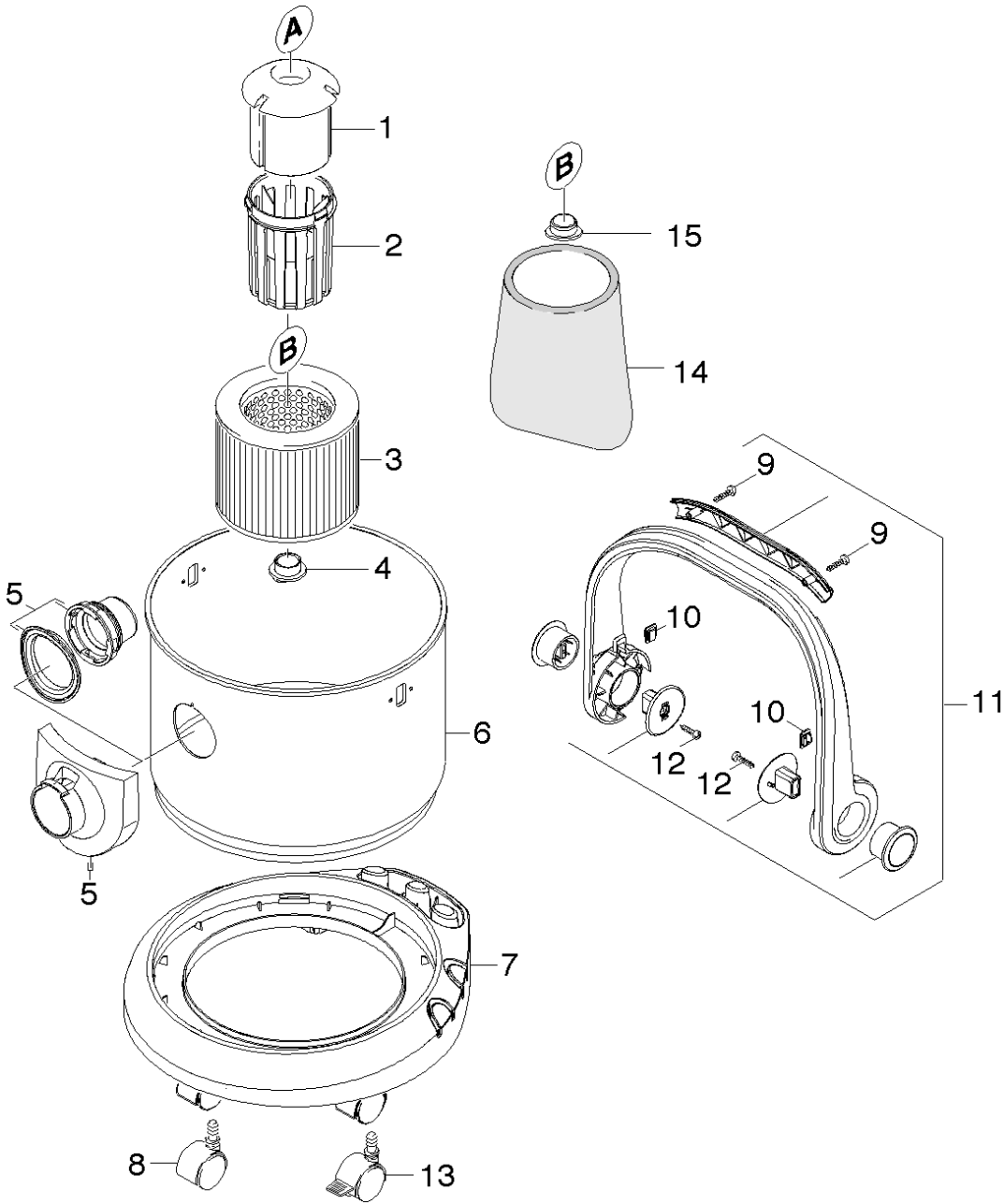
A 2675 Jubilee *EU (1.723-814.0)	3
201 Spare parts list A 2654 (5.970-503.0)	4
10 Appliance individual parts	5
20 Vacuum motor	7
30 Accessories	10

A 2675 Jubilee *EU (1.723-814.0)

POS	Article no.	Description	Quantity	Unit
201	5.970-503.0	Spare parts list A 2654	1.000	ST

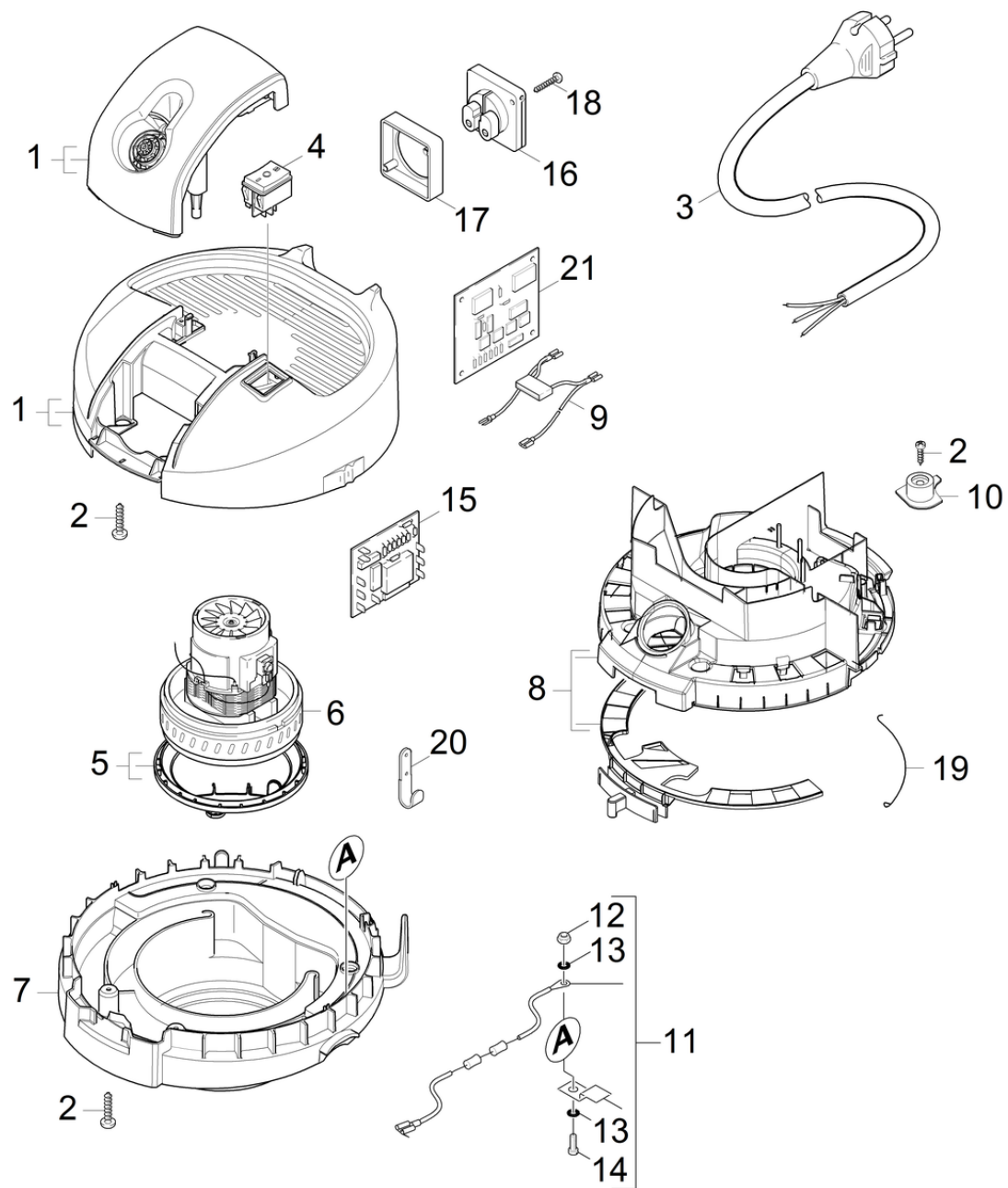
201 Spare parts list A 2654 (5.970-503.0)

POS	Description	Quantity	Unit
30	Accessories	1.000	ST
10	Appliance individual parts	1.000	ST
20	Vacuum motor	1.000	ST



10 Appliance individual parts

POS	Article no.	Description	Quantity	Unit	Remark
7	9.036-977.0	BUMPER FOR INOX TANK	1.000	ST	
3	6.414-552.0	Cartridge filter	1.000	ST	
8	6.435-353.0	Castor D 42	4.000	ST	
4	4.075-012.0	Closure complete	1.000	ST	
15	9.036-691.0	Covering cap	1.000	ST	
14	5.731-595.0	Filter	1.000	ST	
2	9.036-992.0	Filtering basket	1.000	ST	
1	9.037-076.0	Float A2204	1.000	ST	
11	9.001-284.0	Handhold complete	1.000	ST	
10	9.037-029.0	Insert notch	2.000	ST	
9	9.086-184.0	Screw 3x20	2.000	ST	
12	7.303-098.0	Screw 5x20 -10.9-R2R (K-In6Rd)	2.000	ST	
5	9.001-286.0	Suction connection complete	1.000	ST	
6	9.039-230.0	Tank 25L	1.000	ST	25L
13	9.037-133.0	Wheel with brake	1.000	ST	

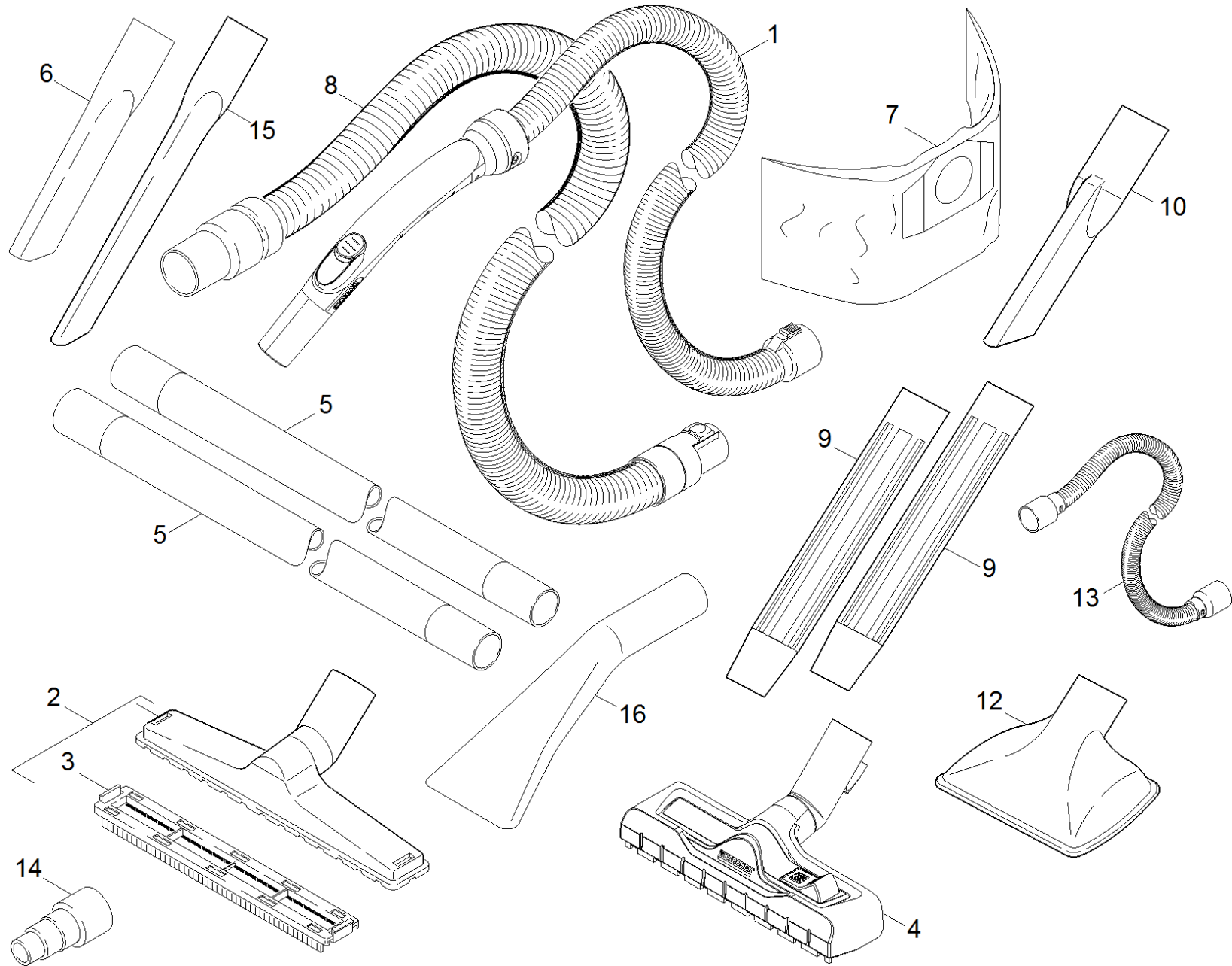


20 Vacuum motor

POS	Article no.	Description	Quantity	Unit
5	9.079-030.0	Bearing turbine A2204 Domel	1.000	ST
9	9.084-176.0	Cable and capacitor	1.000	ST
	Item text1: /1.723-800.0 / -802.0 / -803.0 / -814.0			
3	9.084-182.0	Cable H05VV-F 2x1	1.000	ST
	Item text1: /1.723-800.0 / -802.0 / -814.0			
3	9.084-184.0	Cable H05VV-F 2x1	1.000	ST
	Item text1: /1.723-801.0			
3	9.084-225.0	Cable with plug *EU 3Gx1.5 8MT	1.000	ST
	Item text1: / 1.723-803.0			
21	4.682-111.0	Circuit board smooth running for replace	1.000	ST
	Item text1: /1.723-801.0			
11	2.882-626.0	Conversion kit earthing	1.000	ST
15	6.682-460.0	Electronics	1.000	ST
	Item text1: / 1.723-803.0			
17	9.037-001.0	Frame PT	1.000	ST
	Item text1: / 1.723-803.0			
12	7.311-516.0	Hexagon nut M 4-A2-70 ISO 10511	1.000	ST
1	9.001-288.0	Housing	1.000	ST
	Item text1: / 1.723-803.0			
1	9.001-287.0	Housing	1.000	ST
	Item text1: / 1.723-800.0 / -801.0 / -802.0 / -814.0			
7	9.001-441.0	Motor bracket complete	1.000	ST
8	9.012-101.0	Moulded part	1.000	ST
16	6.646-432.0	Plug socket *EUROPA	1.000	ST
	Item text1: / 1.723-803.0			
18	9.086-184.0	Screw 3x20	2.000	ST
	Item text1: / 1.723-803.0			
2	7.303-096.0	Screw 4x22 -ST-10.9-R2R (IN6RD)	6.000	ST
14	7.306-208.0	Screw M 4x16-A2-70 (IN6RD)	1.000	ST
19	9.048-046.0	Seal ESD, d=3	1.000	ST
	Item text1: / 1.723-803.0			
13	7.312-039.0	Serrated lock washer A4,3-1.4310 DIN 67	2.000	ST
20	9.047-057.0	Spring ESD	1.000	ST

20 Vacuum motor

POS	Article no.	Description	Quantity	Unit
	Item text1: / 1.723-803.0			
10	9.036-997.0	Strain relief	1.000	ST
4	6.630-087.0	Switch	1.000	ST
4	6.630-090.0	Switch 2-level	1.000	ST
	Item text1: // 1.723-803.0			
6	6.490-210.0	Vacuum motor 1600 W	1.000	ST



30 Accessories

POS	Article no.	Description	Quantity	Unit
12	6.905-073.0	Bulk waste nozzle	1.000	ST
	Item text1: //1.723-802.0 / -803.0			
16	2.863-145.0	Car nozzle packaged	1.000	ST
14	9.048-061.0	Connecting sleeve	1.000	ST
	Item text1: //1.723-803.0			
6	6.900-385.0	Crevice nozzle DN35	1.000	ST
10	6.903-234.0	Crevice nozzle DN60	1.000	ST
	Item text1: //1.723-802.0			
15	2.863-223.0	Crevice nozzle extra long	1.000	ST
7	6.959-130.0	Filter bags 5St.	1.000	ZSA
2	2.862-141.0	Floor tool complete	1.000	ST
4	2.863-000.0	Floor tool switchable packaged	1.000	ST
13	2.863-112.0	Hose Flex-Tool	1.000	ST
	Item text1: //1.723-803.0			
3	9.036-892.0	Mixing insert	1.000	ST
1	9.012-109.0	Suction hose complete DN35x2	1.000	ST
8	9.011-441.0	Suction hose DN60x2	1.000	ST
	Item text1: //1.723-802.0 / -803.0			
5	2.863-148.0	Suction tube DN35	2.000	ST
9	6.902-042.0	Suction tube DN 60	2.000	ST
	Item text1: //1.723-802.0 / -803.0			