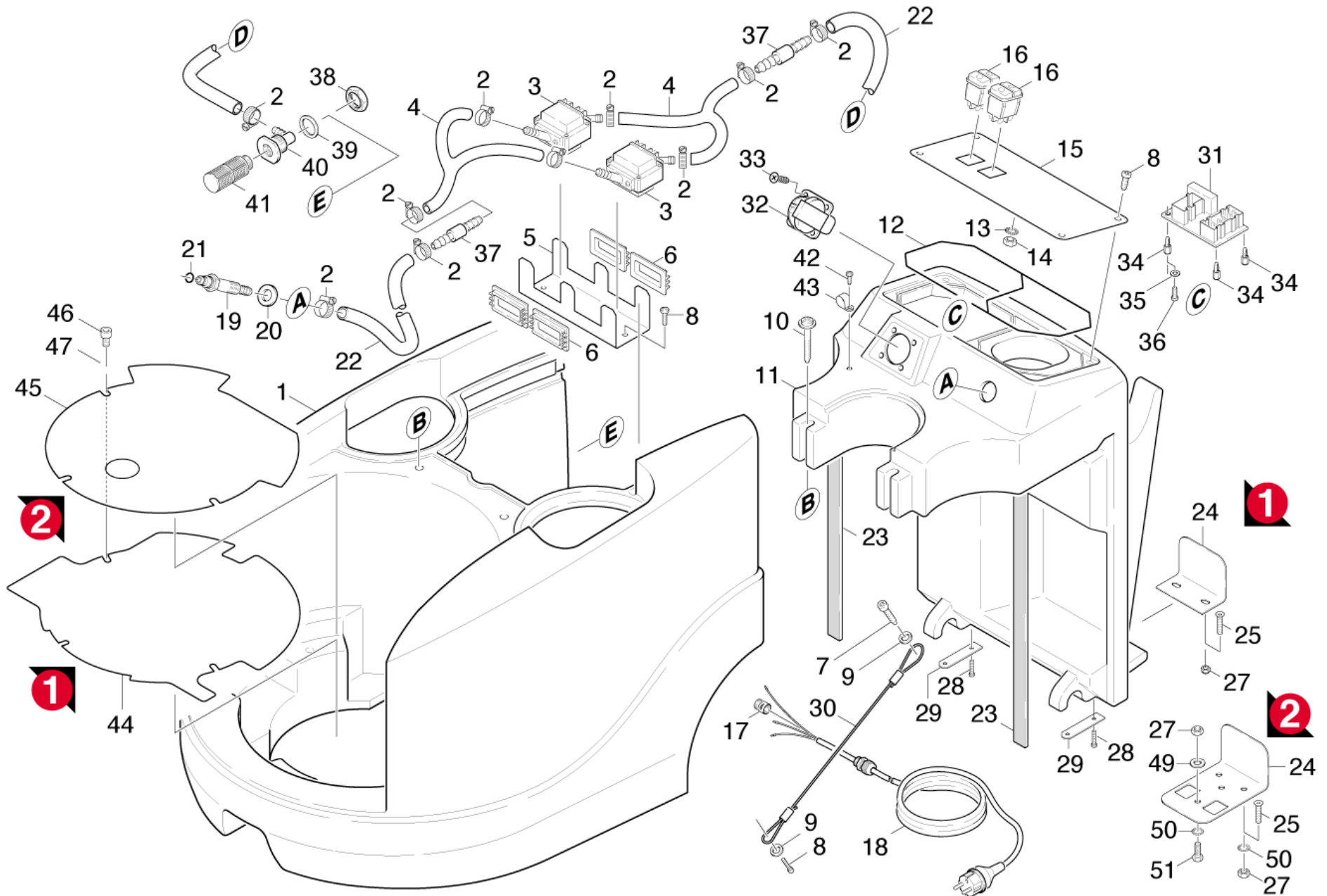


11 Appliance individual parts

Professional \ Spray extraction \ PUZZI 300 \ Spare parts list PUZZI 300 \ Appliance individual parts \ Appliance individual parts



11 Appliance individual parts

Professional \ Spray extraction \ PUZZI 300 \ Spare parts list PUZZI 300 \ Appliance individual parts \ Appliance individual parts

POS	Article no.	Description	Quantity	Unit	Remark	Foot note text
45	4.007-003.0	Plate box complete PUZZI 400K	1	PC	VERSION 2	
44	5.007-002.0	Plate box	1	PC	VERSION 1	
24	5.007-031.0	Plate floor nozzle bracket	1	PC		
4	5.030-613.0	Moulded part	2	PC		
5	5.044-284.0	Holder	1	PC		
6	5.178-038.0	Collar pump PUZZI 300	4	PC		
39	5.363-108.0	Joint ring	1	PC		
19	5.409-296.0	Nipple	1	PC		
40	5.443-246.0	Hose stem	1	PC		
11	5.811-117.0	Electric control box Puzzi 300	1	PC		
	Item text1: / 1.101-101.0 / -102.0 / -103.0					
	Item text2: / -104.0					
11	5.811-129.0	Electric control box	1	PC		
	Item text1: / 1.101-105.0					
10	6.304-117.0	Oval head screw M 6x65	2	PC		
38	6.310-004.0	Hexagon nut G 1/2"	1	PC		
21	6.362-498.0	O-Ring seal 6,75x1,78 NBR 70	1	PC		
12	6.365-443.0	Profile gasket	1	m		TO ORDER AS CUT GOODS
22	6.388-664.0	Hose DN10	1	m		TO ORDER AS CUT GOODS
41	6.414-027.0	Filter	1	PC		
30	6.431-187.0	Rope	1	PC		
3	6.473-077.0	Motor pump	2	PC		
	Item text1: / 1.101-101.0 / -102.0 / -103.0					
	Item text2: / -104.0 / -109.0					
3	6.473-081.0	Motor pump	1	PC		
	Item text1: / 1.101-105.0					
16	6.630-005.0	Switch 2-POLIG	2	PC		
43	6.641-478.0	Clamp 22,0	1	PC		
34	6.646-437.0	Distance pin	4	PC		
18	6.648-349.0	Cable with plug * CH	1	PC		
	Item text1: / 1.101-102.0					
18	6.648-352.0	Cable with plug *CND	1	PC		
	Item text1: / 1.101-105.0					

11 Appliance individual parts

Professional \ Spray extraction \ PUZZI 300 \ Spare parts list PUZZI 300 \ Appliance individual parts \ Appliance individual parts



POS	Article no.	Description	Quantity	Unit	Remark	Foot note text
18	6.648-588.0	Power cable 15m PVC *EU	1	PC		
	Item text1: / 1.101-101.0 / -109.0					
18	6.648-590.0	Cable with plug *AU	1	PC		
	Item text1: / 1.101-103.0					
18	6.648-591.0	Power cable 15m PVC *GB	1	PC		
	Item text1: / 1.101-104.0					
31	6.684-083.0	Electronics Puzzi 10/x	1	PC		
23	6.906-236.0	Seal	1	m		TO ORDER AS CUT GOODS
42	7.303-095.0	Screw 4x12-ST-10.9-R2R (In6RD)	1	PC		
7	7.303-107.0	Screw 5x16-10.9-P2R (K-In6Rd)	1	PC		
33	7.303-125.0	Countersunk screw 4x16 -10.9-R2R (In6Rd)	4	PC		
	Item text1: / 1.101-109.0					
28	7.303-129.0	Screw 4x16-10.9-R2R (K-In6Rd)	4	PC	VERS. 1	
51	7.304-521.0	Hexagonal head screw M 6x16-A4-70 ISO 4	1	PC	VERS. 2	
25	7.305-055.0	Countersunk screw M6x30 -A2-70 (In6Rd)	2	PC		
36	7.306-057.0	Screw M4x10 -8.8-ZNBHL (In6Rd)	4	PC		
8	7.306-071.0	Screw M5x10 -8.8-R2R (In6Rd)	7	PC		
46	7.306-192.0	Screw M6x12-A2-70 (In6Rd)	3	PC		
14	7.311-001.0	Hexagon nut M4 -6-A2E ISO 4032	1	PC		
27	7.311-067.0	Hexagon nut M 6-A2-70 ISO 4032	2	PC		
35	7.312-001.0	Washer 4 -200HV-A2K ISO 7089	4	PC		
20	7.312-059.0	Washer 14-A2 ISO 7090	1	PC		
50	7.312-167.0	Toothed lock washer A6,4-FSt-A3E DIN 6797	3	PC	VERS. 2	
13	7.312-230.0	Serrated lock washer A4,3-FSt-A3E DIN67	2	PC		
49	7.312-260.0	Washer 6-100HV-A3E ISO 7094	1	PC	VERS. 2	
9	7.312-264.0	Washer 5-100HV-A3E ISO 7094	2	PC		
47	7.312-292.0	Washer 6 -A2 ISO 7093-1	3	PC		
2	7.373-019.0	Hose clip A 10-16x9-W4 DIN3017	9	PC		
1	7.777-999.0	Stockpiling discontinued	1	PC		
11	7.777-999.0	Stockpiling discontinued	1	PC		

11 Appliance individual parts

Professional \ Spray extraction \ PUZZI 300 \ Spare parts list PUZZI 300 \ Appliance individual parts \ Appliance individual parts



POS	Article no.	Description	Quantity	Unit	Remark	Foot note text
	Item text1: / 1.101-109.0					
15	7.777-999.0	Stockpiling discontinued	1	PC		
15	7.777-999.0	Stockpiling discontinued	1	PC		
	Item text1: / 1.101-109.0					
17	7.777-999.0	Stockpiling discontinued	1	PC		
29	7.777-999.0	Stockpiling discontinued	2	PC	VERS. 1	
37	7.777-999.0	Stockpiling discontinued	2	PC		
32	9.422-123.0	Plug socket	1	PC		
	Item text1: / 1.101-109.0					