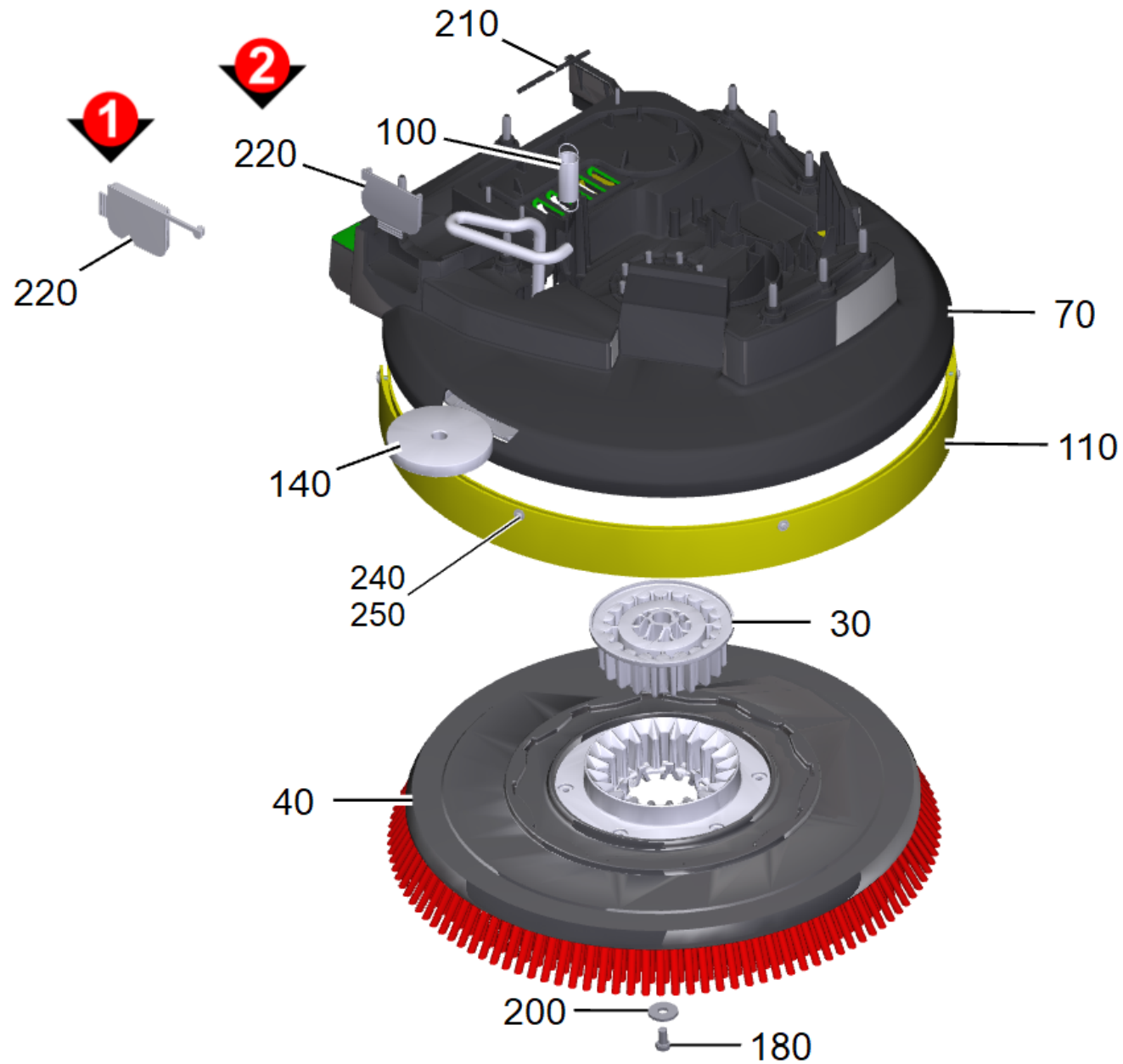


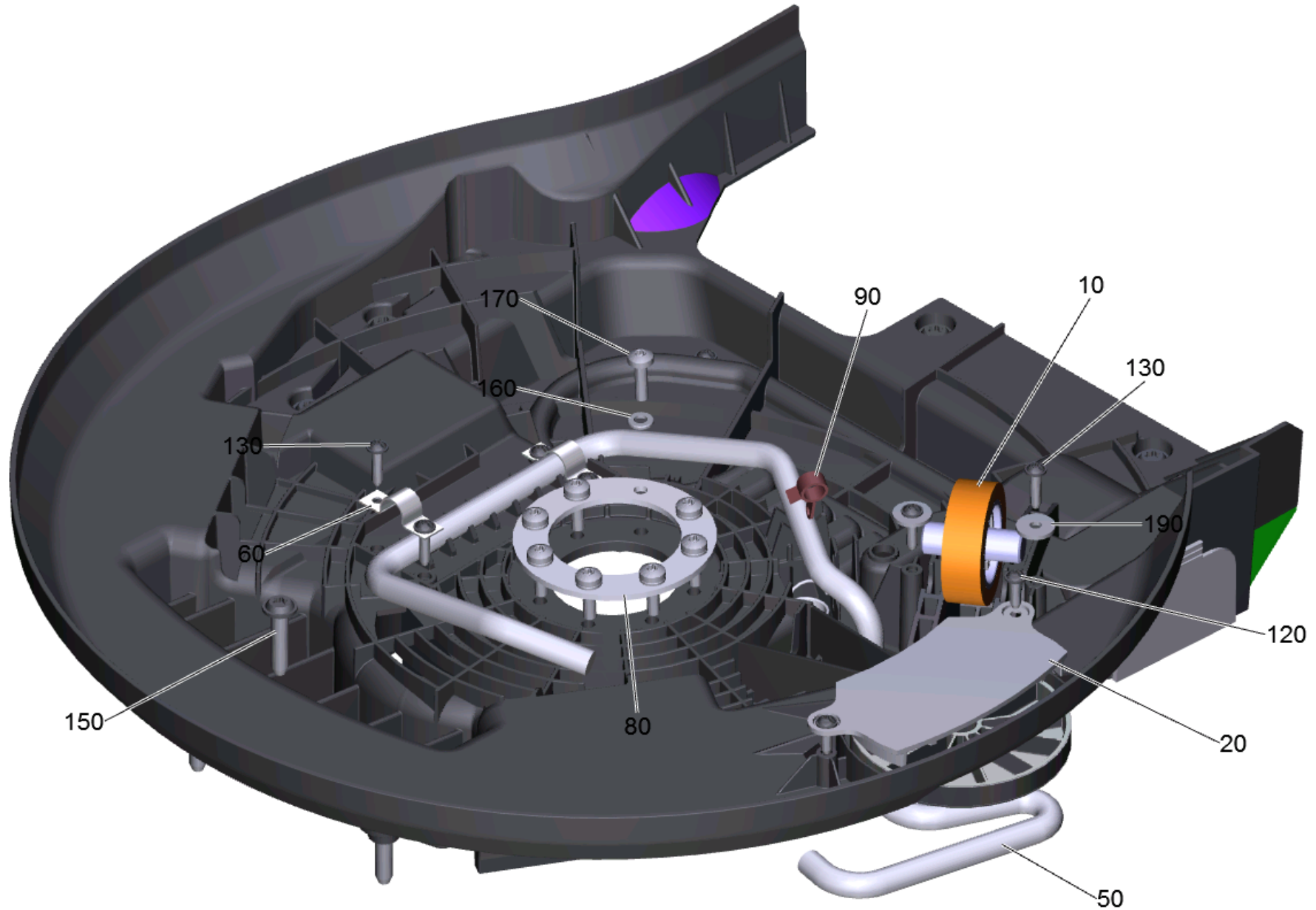
# 100 Brush-head complete B 25

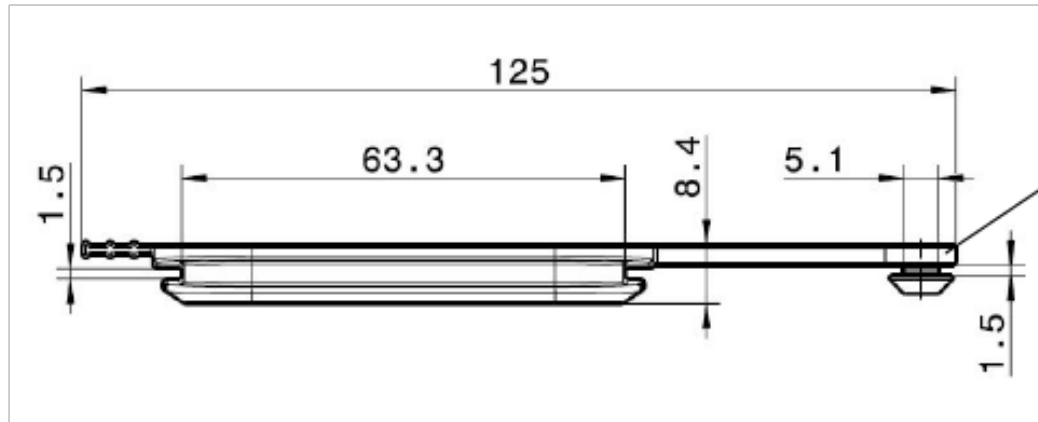
Professional \ Floor cleaner \ Walk behind \ BD 43/25 C Bp Pack \*EU \ Brush-head complete B 25



# 100 Brush-head complete B 25

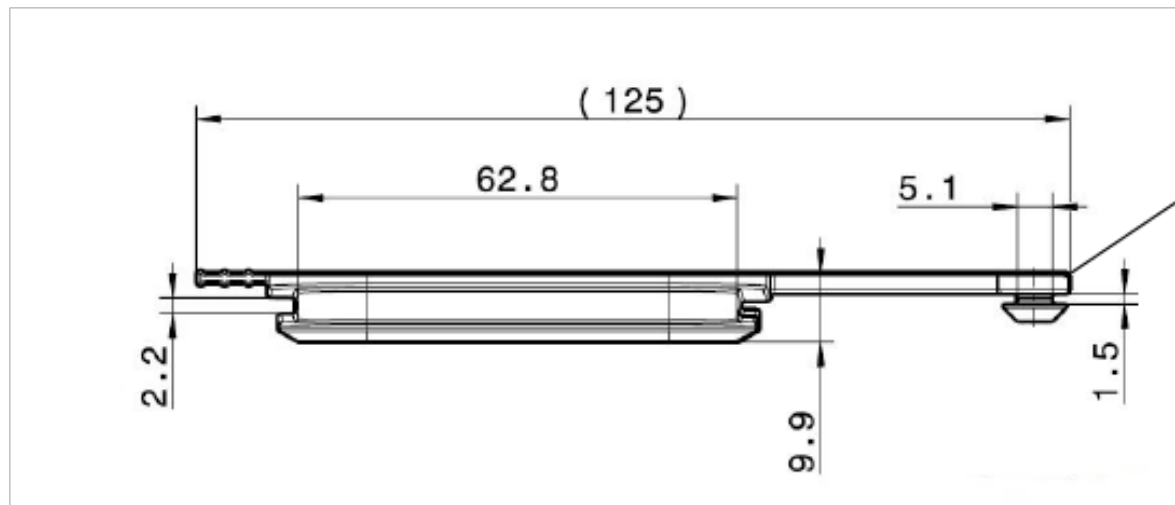
Professional \ Floor cleaner \ Walk behind \ BD 43/25 C Bp Pack \*EU \ Brush-head complete B 25





220

Version 1



220

Version 2

# 100 Brush-head complete B 25

Professional \ Floor cleaner \ Walk behind \ BD 43/25 C Bp Pack \*EU \ Brush-head complete B 25



POS	Article no.	Description	Quantity	Unit	Foot note text
10	9.753-044.0	Brush contact pressure complete B 25	1	PC	
70	9.755-639.0	Covering cap brush-head for replacement	1	PC	VERSION 2: FOR DEVICES WITH SOLENOID VALVE
70	9.755-545.0	Covering cap brush-head replacement D43	1	PC	VERSION 1: FOR MACHINES WITHOUT SOLENOID VALVE
140	5.035-499.0	Deflector roll	1	PC	
40	4.905-022.0	Disc brush cpl. middle red 430 mm	1	PC	
100	9.763-076.0	Extension spring	1	PC	
20	5.035-498.0	Fixing deflector roll	1	PC	
180	7.304-395.0	Hexagonal head screw M8x16-8.8-A2E ISO	1	PC	
90	6.388-559.0	Hose clip	1	PC	
60	6.373-689.0	Pipe clamp	2	PC	
30	5.037-537.0	Retainer transmission	1	PC	
50	9.763-023.0	Retaining bracket discharge	1	PC	
220	9.763-325.0	Rubber cover ball valve	1	PC	VERSION 2: FOR DEVICES WITH SOLENOID VALVE
220	9.763-732.0	Rubber stopper ball valve	1	PC	VERSION 1: FOR MACHINES WITHOUT SOLENOID VALVE
120	7.303-107.0	Screw 5x16 -10.9-P2R (K-In6Rd)	2	PC	
130	7.303-108.0	Screw 5x20 -10.9-R2R (In6Rd)	9	PC	
150	6.303-315.0	Screw 8 x 35	9	PC	
170	9.763-194.0	Screw M6x20 -A2-70 Scotchgrip	8	PC	
210	9.763-046.0	Seal string cellular rubber turbine	1	PC	
240	7.303-004.0	Sheet metal screw ST3,5x9,5-C-A2-70 (In6Rd)	6	PC	
110	9.763-708.0	Splash-proof profile power brush B43 PVC	1	PC	
80	5.039-179.0	Threaded plate	1	PC	
250	7.312-293.0	Washer 4-A2 ISO 7093-1	6	PC	
190	7.312-267.0	Washer 5-A2 ISO 7094	2	PC	
160	7.312-026.0	Washer 6 -A2 ISO 7089	8	PC	
200	7.312-268.0	Washer 8 -A2 ISO 7094	1	PC	