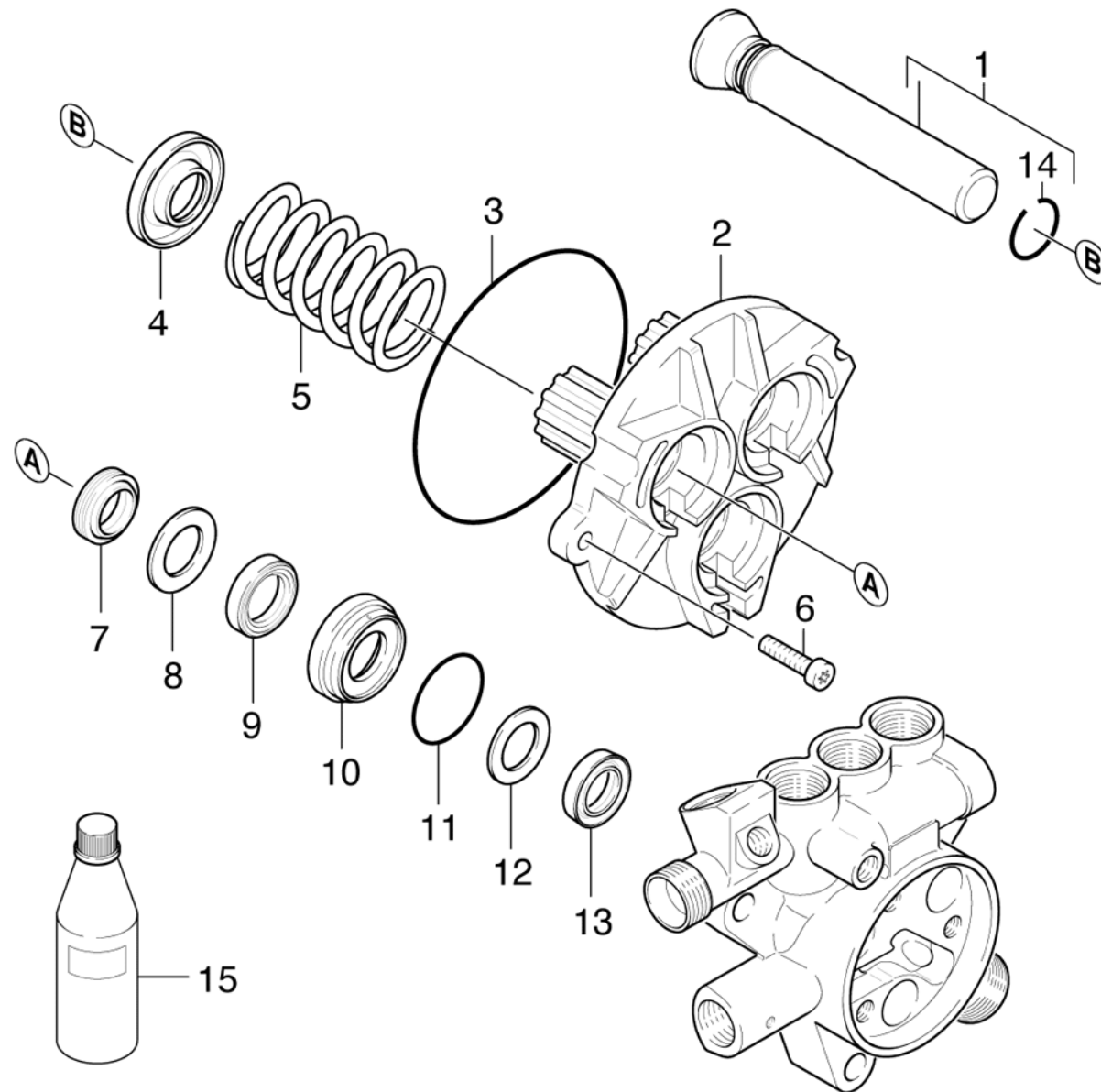


## 21 Piston

Overview technical documents/Professional/High pressure cleaner hotwater/Self-service appliances/SB-HDS 695 \*EU (1.025-901.0)/Spare parts list SB-HDS 695/20 Pump set/21 Piston



## 21 Piston

Overview technical documents/Professional/High pressure cleaner hotwater/Self-service appliances/SB-HDS 695 \*EU (1.025-901.0)/Spare parts list SB-HDS 695/20 Pump set/21 Piston

Rez.daļas/nodil.pakļ.daļas	Poz.	Materiāla Nr.	Nosaukums	Daudzums	Pārdoš. vienība	no sēr. Nr..	līdz sēr. Nr.
X-X	1	4.553-124.0	Piston complete	3.000	ST	0000000000	0000000000
	2	5.060-326.0	Housing	1.000	ST	0000000000	0000000000
X-X	3	6.362-613.0	Gredzenblīve 101,27X 2,62-NBR 70	1.000	ST	0000000000	0000000000
	4	5.030-602.0	Moulded part	3.000	ST	0000000000	0000000000
	5	5.332-139.0	Helical spring	3.000	ST	0000000000	0000000000
X-X	6	7.306-023.0	cylinder head screw	2.000	ST	0000000000	0000000000
X-X	7	6.365-334.0	Gredzens ar gropi 18X26X6/8	3.000	ST	0000000000	0000000000
X-X	8	5.115-432.0	Paplāksne	3.000	ST	0000000000	0000000000
X-X	9	6.365-332.0	Kompaktā blīve 18x28x5,8	3.000	ST	0000000000	0000000000
X-X	10	5.112-340.0	Bush	3.000	ST	0000000000	0000000000
X-X	11	6.362-406.0	Gredzenblīve 33,05X 1,78-NBR 70	3.000	ST	0000000000	0000000000
X-X	12	5.115-431.0	Paplāksne	3.000	ST	0000000000	0000000000
X-X	13	6.365-333.0	Gredzens ar gropi 18X26X5,4	3.000	ST	0000000000	0000000000
	14	7.343-473.0	Snap ring A18-FST DIN 7993	1.000	ST	0000000000	0000000000
X-X	15	6.288-016.0	Transmisijas eļļa	1.000	ST	0000000000	0000000000
X-X	100	2.883-172.0	Pump set	1.000	ST	0000000000	0000000000