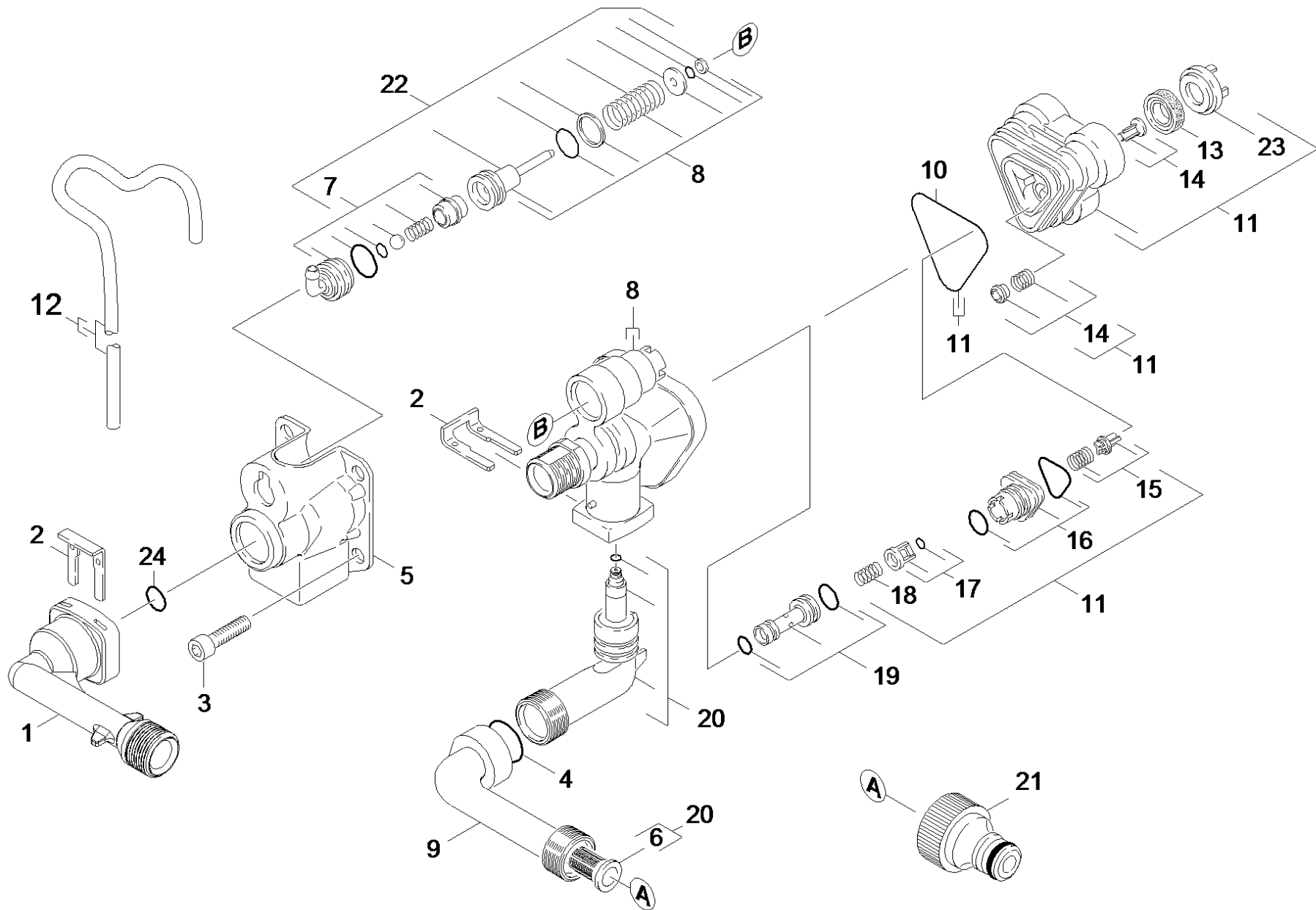


21 Housing

Home and Garden \ High pressure cleaner cold water \ Electric motor \ K 3 \ K 3.75 MD *EU \ Spare parts list K 3.80/K3.08MD *EU \ Pump set \ Housing



21 Housing

Home and Garden \ High pressure cleaner cold water \ Electric motor \ K 3 \ K 3.75 MD *EU \ Spare parts list K 3.80/K3.08MD *EU \ Pump set \ Housing



POS	Article no.	Description	Quantity	Unit	Foot note text
7	9.001-741.0	Aspiration cleaning agents for replaceme	1.000	ST	
17	9.001-107.0	Cage complete	1.000	ST	
21	6.465-031.0	Connection 3/4	1.000	ST	
1	9.036-703.0	Connection delivery side	1.000	ST	
9	9.036-801.0	Connection suction side black	1.000	ST	
5	9.039-308.0	Cover K130	1.000	ST	
11	9.001-677.0	Cylinder head complete	1.000	ST	
3	7.306-151.0	Cylinder head screw M8x65 -8.8-A2E ISO4	4.000	ST	
6	5.731-598.0	Fine filter long	1.000	ST	
10	9.081-422.0	Form seal	1.000	ST	
13	6.362-875.0	Grooved ring	3.000	ST	
12	6.388-216.0	Hose DN 5	1.000	M	ALS METERWARE BESTELLEN
19	9.001-108.0	Injector complete	1.000	ST	
16	9.001-106.0	Joining piece	1.000	ST	
2	9.039-148.0	Metal fork	2.000	ST	
14	9.001-110.0	Moulded part complete	1.000	ST	SET BESTEHEND AUS 3X FORMTEIL KPL.
24	6.362-151.0	O-Ring d. 10 x 2 NBR 70	1.000	ST	
4	9.081-420.0	O-Ring d.17,86x2,62	1.000	ST	
22	9.001-925.0	Pressure piston+detergent nipple	1.000	ST	
8	9.001-361.0	Spare parts set control head	1.000	ST	
20	9.001-682.0	Spare parts set suction connection SV5	1.000	ST	
	Item text1: 1.950-107.0				
20	9.001-664.0	Spare parts set suction connection SV5.5	1.000	ST	
	Item text1: 1.950-100.0 /-101.0 /-102.0 /-108.0 /-109 /-110.0 /-111.0 /-112.0 /-113.0 /-130.0 /-114.0 /-115.0 /-116.0 /-117.0 /-120.0				
15	9.001-149.0	Spare parts set valve	1.000	ST	SET BESTEHEND AUS 3X VENTIL
18	9.047-026.0	Spring	1.000	ST	
23	9.036-322.0	Supporting disk	3.000	ST	