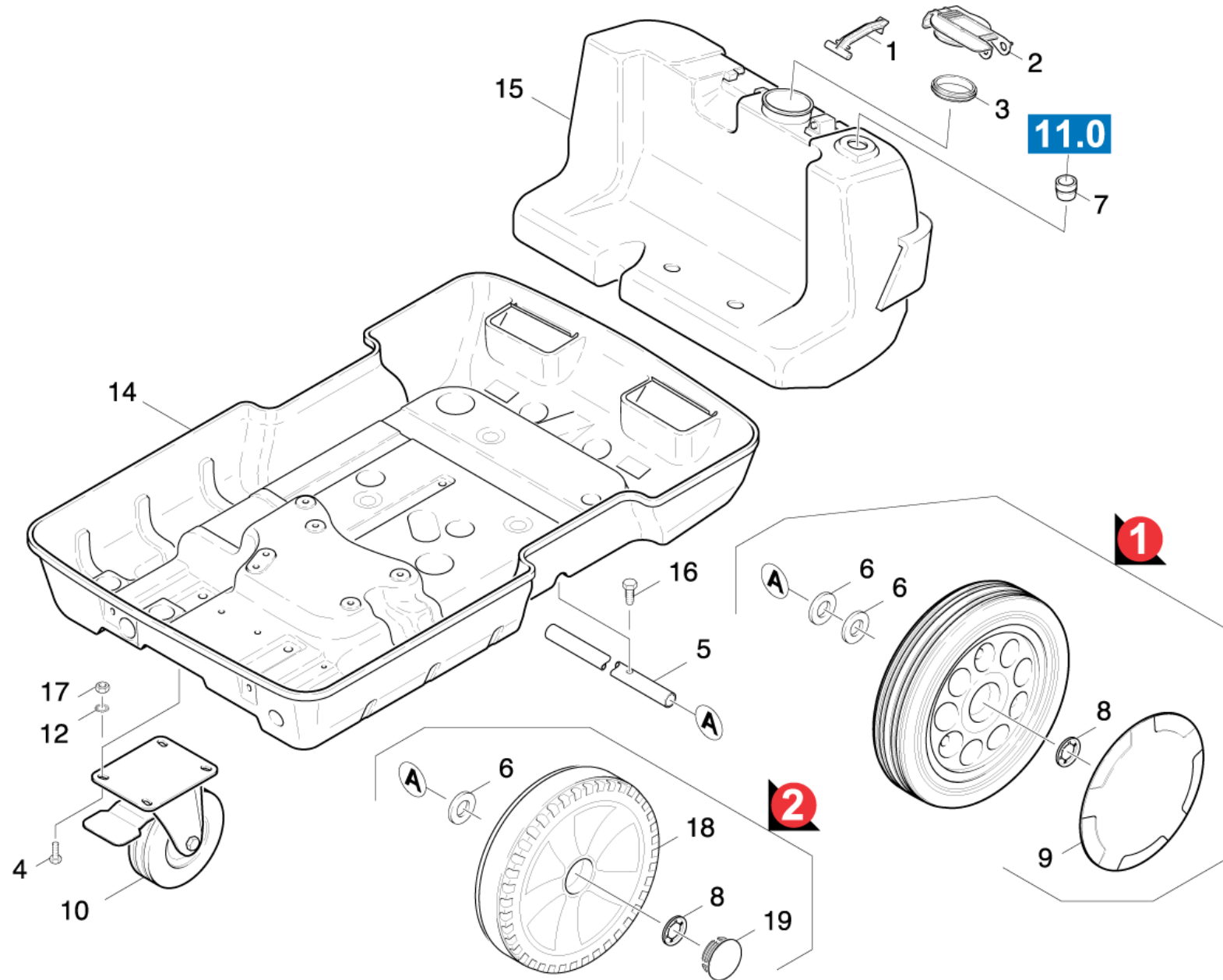


## 12 Base frame

Overview technical documents/Professional/High pressure cleaner hotwater/Electric motor/HDS 995

\*EU (1.027-111.0)/Spare parts list HDS 995/10 Individual parts/12 Base frame



## 12 Base frame

Overview technical documents/Professional/High pressure cleaner hotwater/Electric motor/HDS 995 \*EU (1.027-111.0)/Spare parts list HDS 995/10 Individual parts/12 Base frame

Rez.daļas/nodil.pakļ.daļas	Poz.	Materiāla Nr.	Nosaukums	Daudzums	Pārdoš. vienība	no sēr. Nr..	līdz sēr. Nr.
	1	5.042-463.0	Holder	1.000	ST	0000000000	0000000000
X	2	5.063-448.0	cover	1.000	ST	0000000000	0000000000
X-X	3	5.363-300.0	Joint ring	1.000	ST	0000000000	0000000000
	4	7.304-395.0	Hexagonal head screw M8x16-8.8-A2E ISO	4.000	ST	0000000000	0000000000
	5	5.105-163.0	Axle	1.000	ST	0000000000	0000000000
X	6	7.312-060.0	washer	4.000	ST	0000000000	0000000000
	7	5.365-147.0	profile gasket	1.000	ST	0000000000	0000000000
X-X	8	6.343-162.0	Sprostpaplāksne - 25	2.000	ST	0000000000	0000000000
	9	5.392-017.0	Wheel cap	2.000	ST	0000000000	0000000000
	9	5.392-019.0	Wheel cap	2.000	ST	0000000000	0000000000
X-X	10	6.435-071.0	Pagriezējveltnītis 125	1.000	ST	0000000000	0000000000
X-X	12	7.312-166.0	toothed lock washer	2.000	ST	0000000000	0000000000
	14	5.050-046.0	Frame	1.000	ST	0000000000	0000000000
X	15	5.071-047.0	Tīrīšanas līdzekļa tvertne	1.000	ST	0000000000	0000000000
	16	6.303-031.0	Screw M8x16-ST-A2R DIN 7500-1	2.000	ST	0000000000	0000000000
X-X	17	7.311-004.0	Hexagon nut	4.000	ST	0000000000	0000000000
	18	4.515-100.0	Wheel complete sw/sw	2.000	ST	0000000000	0000000000
X-X	18	4.515-092.0	Wheel complete	2.000	ST	0000000000	0000000000
X-X	19	5.392-038.0	Riteņa dekoratīvais disks	2.000	ST	0000000000	0000000000