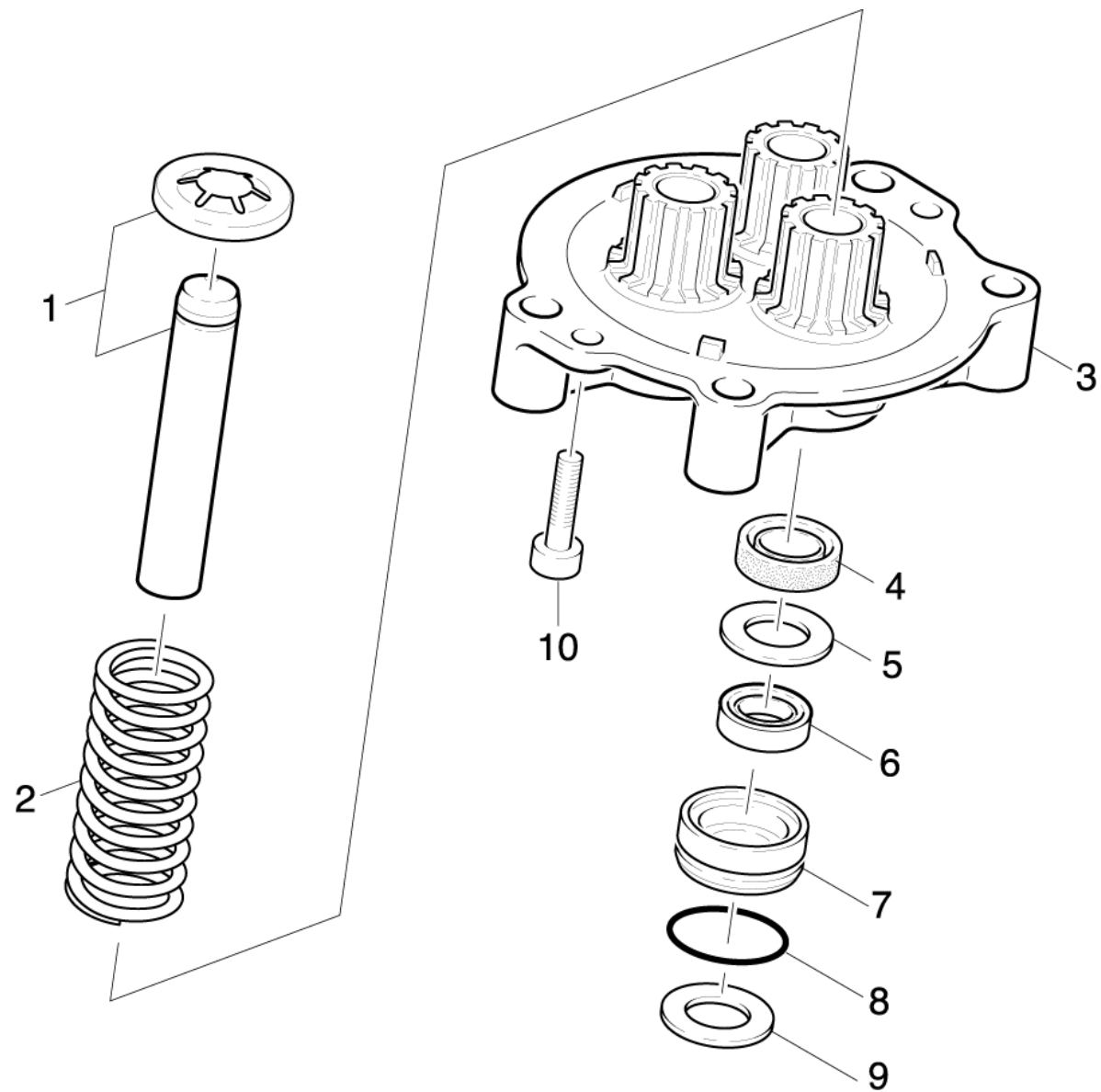


## 24 Piston

Overview technical documents/Professional/High pressure cleaner cold water/Electric motor/HD 650

\*EU (1.150-121.0)/Spare parts list HD 650 230V 1 PH 50 H/20 Pump set/24 Piston



**24 Piston**

Overview technical documents/Professional/High pressure cleaner cold water/Electric motor/HD 650

\*EU (1.150-121.0)/Spare parts list HD 650 230V 1 PH 50 H/20 Pump set/24 Piston

Rez.daļas/nodil.pakļ.daļas	Poz.	Materiāla Nr.	Nosaukums	Daudzums	Pārdoš. vienība	no sēr. Nr..	līdz sēr. Nr.
X	1	4.553-181.0	Piston complete	3.000	ST	0000000000	0000000000
	1	4.553-193.0	Piston complete	3.000	ST	0000000000	0000000000
Pozīcijas teksts: / 1.150-504.0							
	2	5.332-427.0	Atspere	3.000	ST	0000000000	0000000000
	3	5.060-677.0	Taisnvirziena vadotne	1.000	ST	0000000000	0000000000
X-X	4	6.365-340.0	Gredzens ar gropi 14X22X5/7	3.000	ST	0000000000	0000000000
X	5	5.115-744.0	Paplāksne	3.000	ST	0000000000	0000000000
X-X	6	6.365-438.0	Kompaktā blīve	3.000	ST	0000000000	0000000000
	7	5.112-576.0	Bukse	3.000	ST	0000000000	0000000000
X-X	8	6.362-376.0	Gredzenblīve 24,0 X 1,5	3.000	ST	0000000000	0000000000
X-X	9	5.115-465.0	Paplāksne	3.000	ST	0000000000	0000000000
	10	7.303-047.0	Screw M6x16 -St-R3R (In6Rd)	2.000	ST	0000000000	0000000000
	100	2.883-869.0	pump set	1.000	ST	0000000000	0000000000