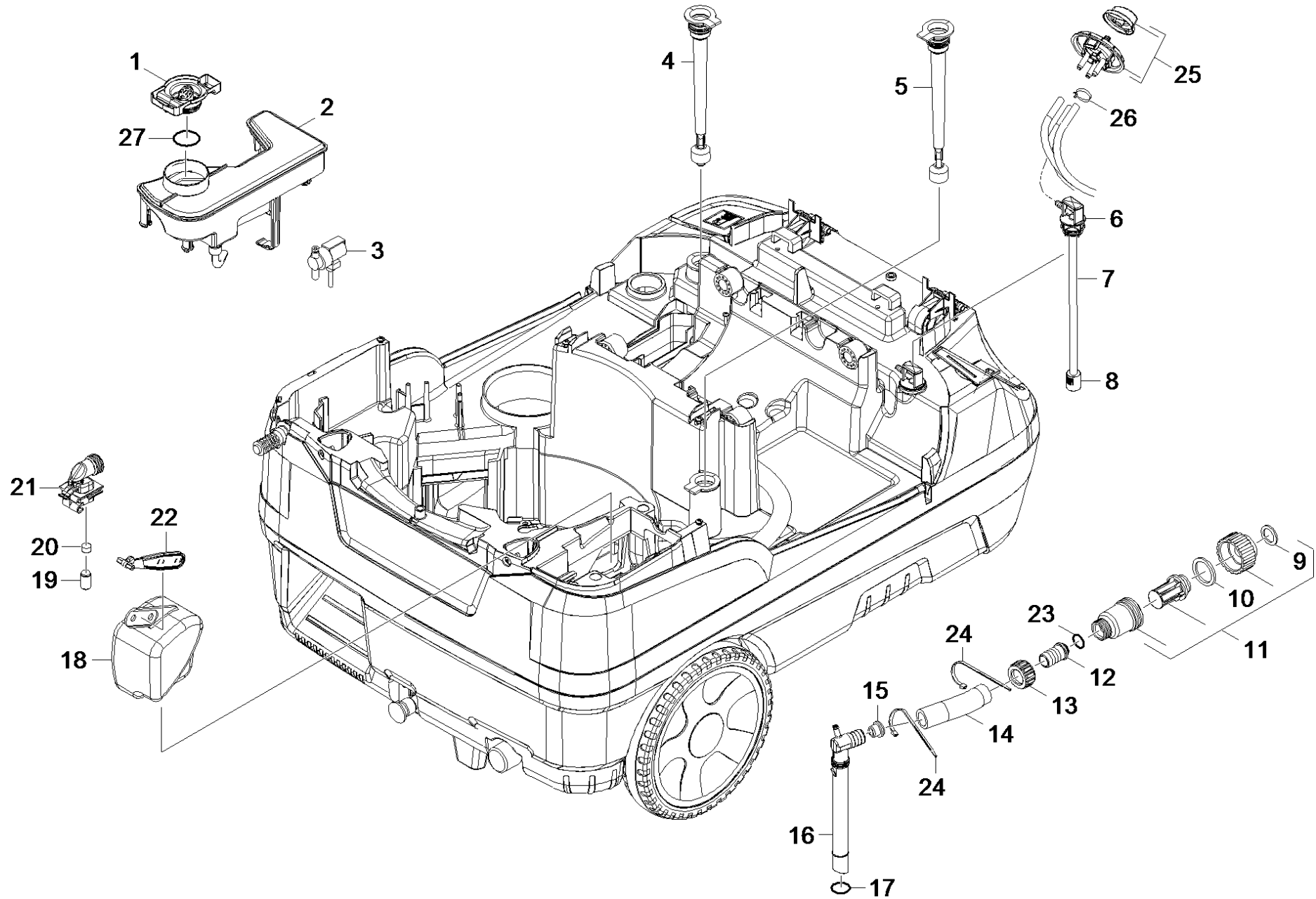


80 Float valve

Professional \ High pressure cleaner hotwater \ Electric motor \ HDS 8/18-4 C *EU-I \ Spare parts list HDS 8/18-4C/CX \ Float valve



80 Float valve

Professional \ High pressure cleaner hotwater \ Electric motor \ HDS 8/18-4 C *EU-I \ Spare parts list HDS 8/18-4C/CX \ Float valve



| POS | Article no. | Description | Quantity | Unit | Foot note text |
|-----|-------------|--|----------|------|-------------------------|
| 1 | 5.425-495.0 | CONNECTION PIECE DGT | 1.000 | ST | |
| 2 | 4.070-732.0 | Tank complete | 1.000 | ST | |
| 3 | 4.686-022.0 | Solenoid valve DGT only for replacement | 1.000 | ST | |
| 4 | 4.747-110.0 | Level probe fuel only for replacement | 1.000 | ST | |
| 5 | 4.747-111.0 | Level probe cleaning agents only for rep | 1.000 | ST | |
| 6 | 5.132-195.0 | Plug aspiration chemistry | 1.000 | ST | |
| 7 | 6.391-341.0 | Hose chemistry DN 6 | 1.000 | M | ALS METERWARE BESTELLEN |
| 8 | 5.731-652.0 | Filter with weight | 1.000 | ST | |
| 9 | 5.363-545.0 | Seal | 1.000 | ST | |
| 10 | 5.363-336.0 | Seal | 1.000 | ST | |
| 11 | 4.730-141.0 | Filter complete | 1.000 | ST | |
| 12 | 5.443-312.0 | Hose stem | 1.000 | ST | |
| 13 | 5.310-167.0 | Nut G 3/4" | 1.000 | ST | |
| 14 | 6.391-612.0 | Piece of tube only for replacement | 1.000 | ST | ALS METERWARE BESTELLEN |
| 15 | 5.112-411.0 | Bush | 1.000 | ST | |
| 16 | 5.443-553.0 | Connection piece | 1.000 | ST | |
| 17 | 6.362-161.0 | O-Ring seal 19,3 X 2,4 | 1.000 | ST | |
| 18 | 5.585-055.0 | Float | 1.000 | ST | |
| 19 | 5.584-085.0 | Valve pin | 1.000 | ST | |
| 20 | 5.364-095.0 | Flat gasket | 1.000 | ST | |
| 21 | 5.587-214.0 | Valve housing | 1.000 | ST | |
| 22 | 5.481-256.0 | Lever | 1.000 | ST | |
| 23 | 6.362-078.0 | O-Ring seal 13,3x2,4 | 1.000 | ST | |
| 24 | 6.641-474.0 | Cable tape 8-210 | 2.000 | ST | |
| 25 | 4.063-873.0 | Proportioning valve chemistry | 1.000 | ST | |
| 26 | 6.388-559.0 | Hose clip | 3.000 | ST | |
| 27 | 6.362-377.0 | O-Ring seal 38,0 X 2,0-NBR 70 | 1.000 | ST | |