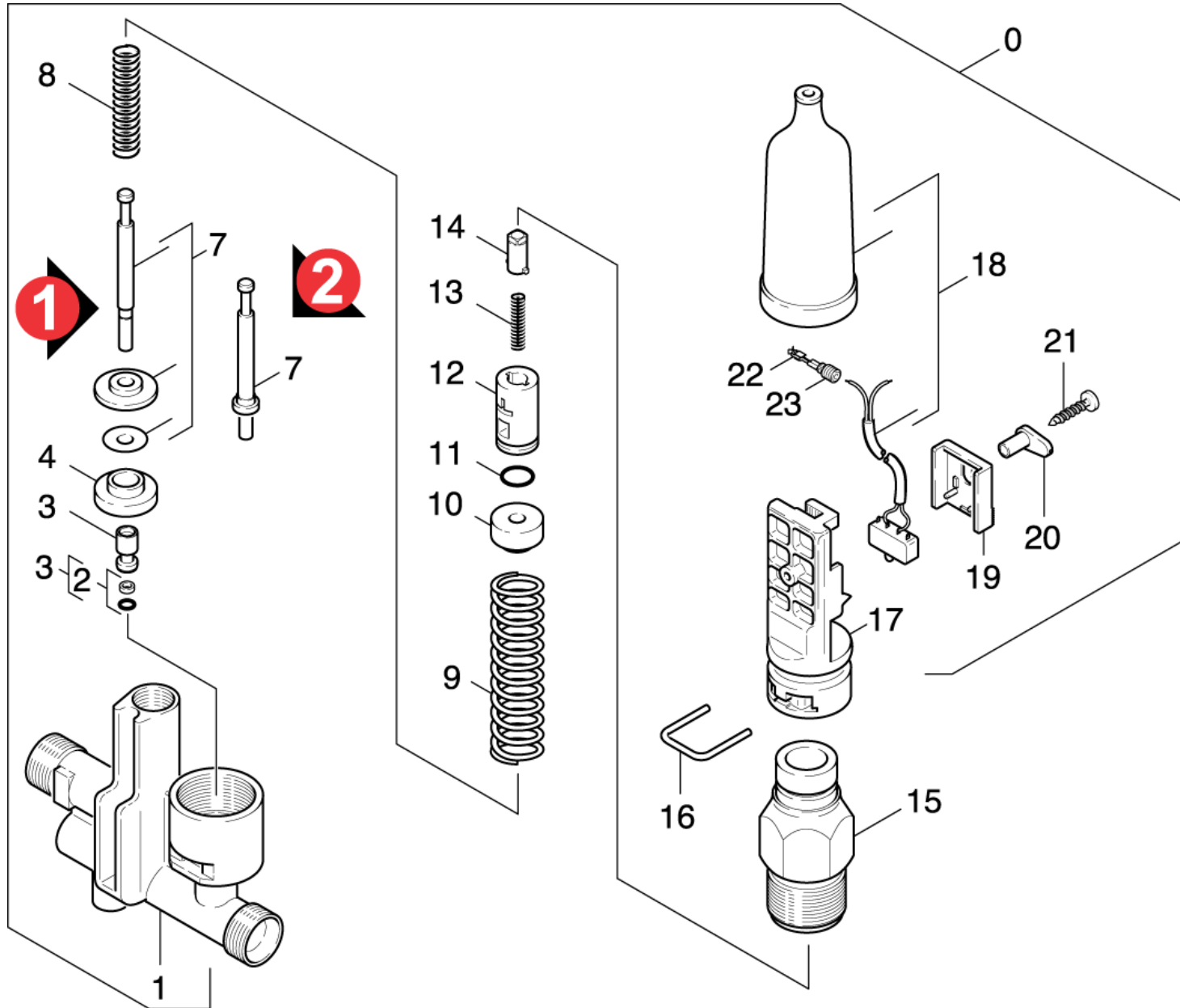


91 Pressure switch

Overview technical documents/Professional/High pressure cleaner hotwater/Electric motor/HDS 695

*EU (1.025-111.0)/Spare parts list HDS 695/90 Safety system/91 Pressure switch



91 Pressure switch

Overview technical documents/Professional/High pressure cleaner hotwater/Electric motor/HDS 695

*EU (1.025-111.0)/Spare parts list HDS 695/90 Safety system/91 Pressure switch

Rez.daļas/nodil.pakļ.daļas	Poz.	Materiāla Nr.	Nosaukums	Daudzums	Pārdoš. vienība	no sēr. Nr..	līdz sēr. Nr.
	0	4.749-110.0	Safety system	1.000	ST	0000000000	0000000000
	1	5.060-440.0	Housing	1.000	ST	0000000000	0000000000
X-X	2	6.363-037.0	Gredzenblīve, pilns komplekts 1ST.-R.	1.000	ST	0000000000	0000000000
X-X	3	4.553-025.0	Piston	1.000	ST	0000000000	0000000000
	4	5.115-147.0	Washer	1.000	ST	0000000000	0000000000
	7	5.107-192.0	Bar	1.000	ST	0000000000	0000000000
	8	5.332-070.0	Helical spring	1.000	ST	0000000000	0000000000
X-X	9	5.332-069.0	Spirālveida atspere	1.000	ST	0000000000	0000000000
	10	5.112-110.0	Bush	1.000	ST	0000000000	0000000000
	11	6.362-169.0	Gredzenblīve 12,0 X 2,0	1.000	ST	0000000000	0000000000
	12	5.553-265.0	Piston	1.000	ST	0000000000	0000000000
X-X	13	5.332-293.0	Helical spring	1.000	ST	0000000000	0000000000
X-X	14	5.316-278.0	Atsperes skrūve	1.000	ST	0000000000	0000000000
	15	5.060-414.0	Housing	1.000	ST	0000000000	0000000000
	16	5.037-080.0	Hook	1.000	ST	0000000000	0000000000
	17	5.042-618.0	Holder	1.000	ST	0000000000	0000000000
	18	4.744-079.0	Switch safety system	1.000	ST	0000000000	0000000000
	19	5.042-728.0	Holder	1.000	ST	0000000000	0000000000
	20	5.316-284.0	Bolt	1.000	ST	0000000000	0000000000
	21	7.303-117.0	Screw 4x20 -A2-70 (In6Rd)	1.000	ST	0000000000	0000000000
	22	6.647-234.0	Contact	2.000	ST	0000000000	0000000000
	23	6.647-235.0	Sealing cable	1.000	ST	0000000000	0000000000