

Spare parts list (1.533-210.2) B 40

Table of contents

B 40 (1.533-210.2)	21
10 B 40 C Ep 240V (2.533-200.0)	23
120 Documentation Ep	24
400 Spare parts list B 40 C Ep 240V (5.971-696.0)	25
10 Tank	26
11 Tank	27
7 Tank replacement B40 (4.035-429.0)	29
21 Ball valve complete replacement (4.035-426.0)	31
26 Drain hose with cover PU (4.035-285.0)	33
12 Covering cap rear	35
1 Set handhold adjustment (4.035-612.0)	37
20 Frame	39
30 Vacuum motor	41
40 Control panel	43
11 Handhold operational concept complete (4.035-608.0)	45
50 Tachograph	47
1 Tachograph set Ep (4.035-475.0)	49
60 Electronics	51
70 Suction bar lifting complete	53
100 Holder suction bar complete (4.035-583.0)	55
20 Holder suction bar (4.037-137.3)	57
80 Suspension power brush	59
9000 Set universal hook (4.070-075.0)	61
9001 Suction bar straight 850mm (4.777-406.0)	63
10 Suction bar pre-assembled straight 850mm (4.035-301.0)	65
9000 Conversion kit support roller deep (4.035-281.0)	67
9002 BLADES FOR TEXTURED FLOORS (6.273-290.0)	69
9500 Set deflector roll stack formation SB (4.035-619.0)	70
9002 Suction bar curved 850mm (4.777-416.0)	72
10 Suction bar pre-assembled curved 850mm (4.035-311.0)	74
9000 Conversion kit support roller deep (4.035-281.0)	76
9002 BLADES FOR TEXTURED FLOORS (6.273-290.0)	78
9003 Suction bar straight 850mm (4.777-401.0)	79
10 Suction bar pre-assembled straight 850mm (4.035-301.0)	81
9000 Conversion kit support roller deep (4.035-281.0)	83
9000 Roller suction bar (4.035-339.0)	85
9002 BLADES FOR TEXTURED FLOORS (6.273-290.0)	87
9500 Set deflector roll stack formation SB (4.035-619.0)	88

Table of contents

9004 Suction bar v-shaped 900mm (4.777-079.0)	90
10 Suction bar v-shaped 900 mm (4.777-079.7)	91
50 Deflector roll suction bar complete (4.435-005.0)	93
60 Profile pre-assembled right AB 900 mm (4.035-162.0)	95
70 Profile pre-assembled left AB 900 mm (4.035-163.0)	96
9002 Support roller complete replacement (4.035-171.0)	97
9003 Support roller complete replacement (4.035-557.0)	99
9500 Set deflector roll stack formation SB (4.035-619.0)	101
20 B 40 C Ep 120V (2.533-201.0)	103
120 Documentation Ep	104
400 Spare parts list B 40 C Ep 120V (5.971-697.0)	105
10 Tank	106
11 Tank	107
7 Tank replacement B40 (4.035-429.0)	109
21 Ball valve complete replacement (4.035-426.0)	111
26 Drain hose with cover PU (4.035-285.0)	113
12 Covering cap rear	115
1 Set handhold adjustment (4.035-612.0)	117
20 Frame	119
30 Vacuum motor	121
40 Control panel	123
11 Handhold operational concept complete (4.035-608.0)	125
50 Tachograph	127
1 Tachograph set Ep (4.035-475.0)	129
60 Electronics	131
70 Suction bar lifting complete	133
100 Holder suction bar complete (4.035-583.0)	135
20 Holder suction bar (4.037-137.3)	137
80 Suspension power brush	139
9000 Set universal hook (4.070-075.0)	141
30 B 40 C Bp (2.533-202.0)	143
10 Basic machinery B 40	145
10 Tank complete (4.035-335.0)	149
10 Tank replacement B40 (4.035-429.0)	153
40 Ball valve complete replacement (4.035-426.0)	155
210 Drain hose with cover PU (4.035-285.0)	157
290 Screen filling system (4.035-370.0)	159
10 Screen filling system (4.035-370.7)	160

Table of contents

50 Suspension brush-head complete	162
80 Covering cap rear complete	164
60 Set handhold adjustment (4.035-612.0)	167
90 Suction bar lifting complete	169
100 Holder suction bar complete (4.035-583.0)	171
20 Holder suction bar (4.037-137.3)	173
100 Vacuum motor	175
20 Control panel complete BAT C	177
20 Covering cap control panel complete BAT	180
20 Tachograph set Bp (4.035-984.0)	182
40 Handhold operational concept complete (4.035-608.0)	184
901 Set key yellow KIK (4.035-408.0)	186
40 Electric equipment B40 C Bp Dose	187
9010 Battery charger replacement B 40 *EU (6.683-119.0)	190
40 Electric equipment B40 C BP Dose CAN	192
9010 Battery charger replacement B 40 *EU (6.683-119.0)	195
70 Axle complete	197
9523 Mounting kit battery kit (2.638-036.0)	199
9531 Mounting kit battery kit (2.638-059.0)	201
40 B 40 C Bp Dose (2.533-203.0)	203
10 Basic machinery B40	205
10 Tank complete (4.035-335.0)	209
10 Tank replacement B40 (4.035-429.0)	213
40 Ball valve complete replacement (4.035-426.0)	215
210 Drain hose with cover PU (4.035-285.0)	217
290 Screen filling system (4.035-370.0)	219
10 Screen filling system (4.035-370.7)	220
50 Suspension brush-head complete	222
30 Bolt complete (4.035-584.0)	224
80 Covering cap rear complete	226
60 Set handhold adjustment (4.035-612.0)	229
90 Suction bar lifting complete	231
100 Holder suction bar complete (4.035-583.0)	233
20 Holder suction bar (4.037-137.3)	235
100 Vacuum motor enclosure	237
20 Control panel complete BAT C	239
20 Covering cap control panel complete BAT	242
20 Tachograph set Bp (4.035-984.0)	244

Table of contents

40 Handhold operational concept complete (4.035-608.0)	246
901 Set key yellow KIK (4.035-408.0)	248
40 Electric equipment B40 C Bp Dose	249
9010 Battery charger replacement B 40 *EU (6.683-119.0)	252
40 Electric equipment B40 C BP Dose CAN	254
9010 Battery charger replacement B 40 *EU (6.683-119.0)	257
70 Axle complete	259
80 RM tin B40	261
10 Dosing pump replacement B40 B60 B80 (4.762-028.0)	263
80 Cover cleaning agents complete (4.060-866.0)	265
9523 Mounting kit battery kit (2.638-036.0)	267
9531 Mounting kit battery kit (2.638-059.0)	269
50 B 40 W Bp (2.533-204.0)	271
10 Basic machinery B 40	273
10 Tank complete (4.035-335.0)	277
10 Tank replacement B40 (4.035-429.0)	281
40 Ball valve complete replacement (4.035-426.0)	283
210 Drain hose with cover PU (4.035-285.0)	285
290 Screen filling system (4.035-370.0)	287
10 Screen filling system (4.035-370.7)	288
50 Suspension brush-head complete	290
80 Covering cap rear complete	292
60 Set handhold adjustment (4.035-612.0)	295
90 Suction bar lifting complete	297
100 Holder suction bar complete (4.035-583.0)	299
20 Holder suction bar (4.037-137.3)	301
100 Vacuum motor	303
20 Control panel complete BAT W	305
20 Covering cap control panel complete BAT	308
20 Tachograph complete (4.035-000.0)	310
10 Tachograph set (4.035-002.0)	312
40 Handhold operational concept complete (4.035-608.0)	314
40 Electric equipment B40 W Bp Dose CAN	316
9010 Battery charger replacement B 40 *EU (6.683-119.0)	319
40 Electric equipment B40 W Bp Dose	321
9010 Battery charger replacement B 40 *EU (6.683-119.0)	324
70 Gear complete B 40 W	326
20 Wheel drive motor B40W (6.613-512.3)	328

Table of contents

9523 Mounting kit battery kit (2.638-036.0)	329
9531 Mounting kit battery kit (2.638-059.0)	331
60 B 40 W Bp Dose (2.533-205.0)	333
10 Basic machinery B40	335
10 Tank complete (4.035-335.0)	339
10 Tank replacement B40 (4.035-429.0)	343
40 Ball valve complete replacement (4.035-426.0)	345
210 Drain hose with cover PU (4.035-285.0)	347
290 Screen filling system (4.035-370.0)	349
10 Screen filling system (4.035-370.7)	350
50 Suspension brush-head complete	352
30 Bolt complete (4.035-584.0)	354
80 Covering cap rear complete	356
60 Set handhold adjustment (4.035-612.0)	359
90 Suction bar lifting complete	361
100 Holder suction bar complete (4.035-583.0)	363
20 Holder suction bar (4.037-137.3)	365
100 Vacuum motor enclosure	367
20 Control panel complete BAT W	369
20 Covering cap control panel complete BAT	372
20 Tachograph complete (4.035-000.0)	374
10 Tachograph set (4.035-002.0)	376
40 Handhold operational concept complete (4.035-608.0)	378
40 Electric equipment B40 W Bp Dose CAN	380
9010 Battery charger replacement B 40 *EU (6.683-119.0)	383
40 Electric equipment B40 W Bp Dose	385
9010 Battery charger replacement B 40 *EU (6.683-119.0)	388
70 Gear complete B 40 W	390
20 Wheel drive motor B40W (6.613-512.3)	392
80 RM tin B40	393
10 Dosing pump replacement B40 B60 B80 (4.762-028.0)	395
80 Cover cleaning agents complete (4.060-866.0)	397
9523 Mounting kit battery kit (2.638-036.0)	399
9531 Mounting kit battery kit (2.638-059.0)	401
70 B 40 C Bp *UL (2.533-206.0)	403
10 Basic machinery B 40	405
10 Tank complete (4.035-335.0)	409
10 Tank replacement B40 (4.035-429.0)	413

Table of contents

40 Ball valve complete replacement (4.035-426.0)	415
210 Drain hose with cover PU (4.035-285.0)	417
290 Screen filling system (4.035-370.0)	419
10 Screen filling system (4.035-370.7)	420
50 Suspension brush-head complete	422
80 Covering cap rear complete	424
60 Set handhold adjustment (4.035-612.0)	427
90 Suction bar lifting complete	429
100 Holder suction bar complete (4.035-583.0)	431
20 Holder suction bar (4.037-137.3)	433
100 Vacuum motor	435
20 Control panel complete BAT C	437
20 Covering cap control panel complete BAT	440
20 Tachograph set Bp (4.035-984.0)	442
40 Handhold operational concept complete (4.035-608.0)	444
901 Set key yellow KIK (4.035-408.0)	446
40 Electric equipment B40 C Bp Dose *UL	447
9010 Battery charger replacement B 40 *EU (6.683-119.0)	450
40 Electric equipment B 40 C Bp Dose US CAN	452
70 Axle complete	455
9523 Mounting kit battery kit (2.638-036.0)	457
9531 Mounting kit battery kit (2.638-059.0)	459
80 B 40 W Bp *UL (2.533-207.0)	461
10 Basic machinery B 40	463
10 Tank complete (4.035-335.0)	467
10 Tank replacement B40 (4.035-429.0)	471
40 Ball valve complete replacement (4.035-426.0)	473
210 Drain hose with cover PU (4.035-285.0)	475
290 Screen filling system (4.035-370.0)	477
10 Screen filling system (4.035-370.7)	478
50 Suspension brush-head complete	480
80 Covering cap rear complete	482
60 Set handhold adjustment (4.035-612.0)	485
90 Suction bar lifting complete	487
100 Holder suction bar complete (4.035-583.0)	489
20 Holder suction bar (4.037-137.3)	491
100 Vacuum motor	493
20 Control panel complete BAT W	495

Table of contents

20 Covering cap control panel complete BAT	498
20 Tachograph complete (4.035-000.0)	500
10 Tachograph set (4.035-002.0)	502
40 Handhold operational concept complete (4.035-608.0)	504
40 Electric equipment B40 W Bp Dose	506
9010 Battery charger replacement B 40 *EU (6.683-119.0)	509
40 Electric equipment B 40 W Bp Dose US Can	511
9010 Battery charger replacement B 40 *EU (6.683-119.0)	514
70 Gear complete B 40 W	516
20 Wheel drive motor B40W (6.613-512.3)	518
9523 Mounting kit battery kit (2.638-036.0)	519
9531 Mounting kit battery kit (2.638-059.0)	521
90 B 40 C Bp Classic (2.533-208.0)	523
10 Basic machinery B40	525
10 Tank complete (4.035-335.0)	529
10 Tank replacement B40 (4.035-429.0)	533
40 Ball valve complete replacement (4.035-426.0)	535
210 Drain hose with cover PU (4.035-285.0)	537
290 Screen filling system (4.035-370.0)	539
10 Screen filling system (4.035-370.7)	540
50 Suspension brush-head complete	542
30 Bolt complete (4.035-584.0)	544
80 Covering cap rear complete	546
60 Set handhold adjustment (4.035-612.0)	549
90 Suction bar lifting complete	551
100 Holder suction bar complete (4.035-583.0)	553
20 Holder suction bar (4.037-137.3)	555
100 Vacuum motor enclosure	557
20 Control panel complete B40Bp C Classic	559
20 Covering cap control panel complete B40C	561
20 Tachograph set Bp (4.035-984.0)	563
40 Handhold operational concept complete (4.035-608.0)	565
40 Electric equipment complete B40C Bp Clas	567
9000 Control circuit board replacement B40/60 (4.683-007.0)	570
9002 Battery charger maintenance free 24V (6.654-333.0)	571
70 Axle complete	573
9523 Mounting kit battery kit (2.638-036.0)	575
9531 Mounting kit battery kit (2.638-059.0)	577

Table of contents

100 B 40 C Bp Fleet (2.533-222.7)	579
10 Basic machinery B 40	581
10 Tank complete (4.035-335.0)	585
10 Tank replacement B40 (4.035-429.0)	589
40 Ball valve complete replacement (4.035-426.0)	591
210 Drain hose with cover PU (4.035-285.0)	593
290 Screen filling system (4.035-370.0)	595
10 Screen filling system (4.035-370.7)	596
50 Suspension brush-head complete	598
80 Covering cap rear complete	600
60 Set handhold adjustment (4.035-612.0)	603
90 Suction bar lifting complete	605
100 Holder suction bar complete (4.035-583.0)	607
20 Holder suction bar (4.037-137.3)	609
100 Vacuum motor	611
20 Control panel complete 40C Bp Fleet EU	613
20 Covering cap control panel complete BAT	616
20 Tachograph set Bp (4.035-984.0)	618
40 Handhold operational concept complete (4.035-608.0)	620
200 KAERCHER reversion kit Fleet Services B40-80 EU (2.643-348.0)	622
10 Kaercher Fleet services B110R (2.644-213.0)	625
10 Kaercher Fleet services B110R	626
200 KAERCHER reversion kit Fleet EU* Services B40-80 (2.644-093.0)	628
10 Kaercher Fleet services B110R (2.644-213.0)	631
10 Kaercher Fleet services B110R	632
901 Set key yellow KIK (4.035-408.0)	634
40 Electric equipment B40 C Bp Dose	635
9010 Battery charger replacement B 40 *EU (6.683-119.0)	638
40 Electric equipment B40 C BP Dose CAN	640
9010 Battery charger replacement B 40 *EU (6.683-119.0)	643
70 Axle complete	645
1040 Spare parts list Fleet Services B40-80 (5.973-380.0)	647
10 Kaercher Fleet services B110R (2.644-213.0)	650
10 Kaercher Fleet services B110R	651
9523 Mounting kit battery kit (2.638-036.0)	653
9531 Mounting kit battery kit (2.638-059.0)	655
110 B 40 C Bp DOSE Fleet (2.533-223.7)	657
10 Basic machinery B40	659

Table of contents

10 Tank complete (4.035-335.0)	663
10 Tank replacement B40 (4.035-429.0)	667
40 Ball valve complete replacement (4.035-426.0)	669
210 Drain hose with cover PU (4.035-285.0)	671
290 Screen filling system (4.035-370.0)	673
10 Screen filling system (4.035-370.7)	674
50 Suspension brush-head complete	676
30 Bolt complete (4.035-584.0)	678
80 Covering cap rear complete	680
60 Set handhold adjustment (4.035-612.0)	683
90 Suction bar lifting complete	685
100 Holder suction bar complete (4.035-583.0)	687
20 Holder suction bar (4.037-137.3)	689
100 Vacuum motor enclosure	691
20 Control panel complete 40C Bp Fleet EU	693
20 Covering cap control panel complete BAT	696
20 Tachograph set Bp (4.035-984.0)	698
40 Handhold operational concept complete (4.035-608.0)	700
200 KAERCHER reversion kit Fleet Services B40-80 EU (2.643-348.0)	702
10 Kaercher Fleet services B110R (2.644-213.0)	705
10 Kaercher Fleet services B110R	706
200 KAERCHER reversion kit Fleet EU* Services B40-80 (2.644-093.0)	708
10 Kaercher Fleet services B110R (2.644-213.0)	711
10 Kaercher Fleet services B110R	712
901 Set key yellow KIK (4.035-408.0)	714
40 Electric equipment B40 C Bp Dose	715
9010 Battery charger replacement B 40 *EU (6.683-119.0)	718
40 Electric equipment B40 C BP Dose CAN	720
9010 Battery charger replacement B 40 *EU (6.683-119.0)	723
70 Axle complete	725
80 RM tin B40	727
10 Dosing pump replacement B40 B60 B80 (4.762-028.0)	729
80 Cover cleaning agents complete (4.060-866.0)	731
9523 Mounting kit battery kit (2.638-036.0)	733
9531 Mounting kit battery kit (2.638-059.0)	735
120 B 40 W Bp Fleet (2.533-224.7)	737
10 Basic machinery B 40	739
10 Tank complete (4.035-335.0)	743

Table of contents

10 Tank replacement B40 (4.035-429.0)	747
40 Ball valve complete replacement (4.035-426.0)	749
210 Drain hose with cover PU (4.035-285.0)	751
290 Screen filling system (4.035-370.0)	753
10 Screen filling system (4.035-370.7)	754
50 Suspension brush-head complete	756
80 Covering cap rear complete	758
60 Set handhold adjustment (4.035-612.0)	761
90 Suction bar lifting complete	763
100 Holder suction bar complete (4.035-583.0)	765
20 Holder suction bar (4.037-137.3)	767
100 Vacuum motor	769
20 Control panel complete 40W Bp Fleet EU	771
20 Covering cap control panel complete BAT	774
20 Tachograph complete (4.035-000.0)	776
10 Tachograph set (4.035-002.0)	778
40 Handhold operational concept complete (4.035-608.0)	780
200 KAERCHER reversion kit Fleet Services EU* B40-B120 CAN (2.644-094.0)	782
10 Kaercher Fleet services B110R (2.644-213.0)	784
10 Kaercher Fleet services B110R	785
40 Electric equipment B40 W Bp Dose CAN	787
9010 Battery charger replacement B 40 *EU (6.683-119.0)	790
40 Electric equipment B40 W Bp Dose	792
9010 Battery charger replacement B 40 *EU (6.683-119.0)	795
70 Gear complete B 40 W	797
20 Wheel drive motor B40W (6.613-512.3)	799
9523 Mounting kit battery kit (2.638-036.0)	800
9531 Mounting kit battery kit (2.638-059.0)	802
130 B 40 W Bp DOSE Fleet (2.533-225.7)	804
10 Basic machinery B40	806
10 Tank complete (4.035-335.0)	810
10 Tank replacement B40 (4.035-429.0)	814
40 Ball valve complete replacement (4.035-426.0)	816
210 Drain hose with cover PU (4.035-285.0)	818
290 Screen filling system (4.035-370.0)	820
10 Screen filling system (4.035-370.7)	821
50 Suspension brush-head complete	823
30 Bolt complete (4.035-584.0)	825

Table of contents

80 Covering cap rear complete	827
60 Set handhold adjustment (4.035-612.0)	830
90 Suction bar lifting complete	832
100 Holder suction bar complete (4.035-583.0)	834
20 Holder suction bar (4.037-137.3)	836
100 Vacuum motor enclosure	838
20 Control panel complete 40W Bp Fleet EU	840
20 Covering cap control panel complete BAT	843
20 Tachograph complete (4.035-000.0)	845
10 Tachograph set (4.035-002.0)	847
40 Handhold operational concept complete (4.035-608.0)	849
200 KAERCHER reversion kit Fleet Services EU* B40-B120 CAN (2.644-094.0)	851
10 Kaercher Fleet services B110R (2.644-213.0)	853
10 Kaercher Fleet services B110R	854
40 Electric equipment B40 W Bp Dose CAN	856
9010 Battery charger replacement B 40 *EU (6.683-119.0)	859
40 Electric equipment B40 W Bp Dose	861
9010 Battery charger replacement B 40 *EU (6.683-119.0)	864
70 Gear complete B 40 W	866
20 Wheel drive motor B40W (6.613-512.3)	868
80 RM tin B40	869
10 Dosing pump replacement B40 B60 B80 (4.762-028.0)	871
80 Cover cleaning agents complete (4.060-866.0)	873
9523 Mounting kit battery kit (2.638-036.0)	875
9531 Mounting kit battery kit (2.638-059.0)	877
140 B 40 C Bp Fleet *UL (2.533-226.7)	879
10 Basic machinery B 40	881
10 Tank complete (4.035-335.0)	885
10 Tank replacement B40 (4.035-429.0)	889
40 Ball valve complete replacement (4.035-426.0)	891
210 Drain hose with cover PU (4.035-285.0)	893
290 Screen filling system (4.035-370.0)	895
10 Screen filling system (4.035-370.7)	896
50 Suspension brush-head complete	898
80 Covering cap rear complete	900
60 Set handhold adjustment (4.035-612.0)	903
90 Suction bar lifting complete	905
100 Holder suction bar complete (4.035-583.0)	907

Table of contents

20 Holder suction bar (4.037-137.3)	909
100 Vacuum motor	911
20 Control panel complete BAT C Fleet NA	913
20 Covering cap control panel complete BAT	916
20 Tachograph set Bp (4.035-984.0)	918
40 Handhold operational concept complete (4.035-608.0)	920
200 KAERCHER reversion kit Fleet NA* Services B40-80 (2.644-103.0)	922
10 Kaercher Fleet services B110R NA (2.644-214.0)	925
10 Kaercher Fleet services B110R NA	926
200 KAERCHER Fleet services B40-120CAN NA	928
10 Kaercher Fleet services B110R NA (2.644-214.0)	929
10 Kaercher Fleet services B110R NA	930
901 Set key yellow KIK (4.035-408.0)	932
40 Electric equipment B40 C Bp Dose *UL	933
9010 Battery charger replacement B 40 *EU (6.683-119.0)	936
40 Electric equipment B 40 C Bp Dose US CAN	938
70 Axle complete	941
9523 Mounting kit battery kit (2.638-036.0)	943
9531 Mounting kit battery kit (2.638-059.0)	945
150 B 40 W Bp Fleet *UL (2.533-227.7)	947
10 Basic machinery B 40	949
10 Tank complete (4.035-335.0)	953
10 Tank replacement B40 (4.035-429.0)	957
40 Ball valve complete replacement (4.035-426.0)	959
210 Drain hose with cover PU (4.035-285.0)	961
290 Screen filling system (4.035-370.0)	963
10 Screen filling system (4.035-370.7)	964
50 Suspension brush-head complete	966
80 Covering cap rear complete	968
60 Set handhold adjustment (4.035-612.0)	971
90 Suction bar lifting complete	973
100 Holder suction bar complete (4.035-583.0)	975
20 Holder suction bar (4.037-137.3)	977
100 Vacuum motor	979
20 Control panel complete 40W Bp Fleet NA	981
20 Covering cap control panel complete BAT	984
20 Tachograph complete (4.035-000.0)	986
10 Tachograph set (4.035-002.0)	988

Table of contents

40 Handhold operational concept complete (4.035-608.0)	990
200 KAERCHER reversion kit Fleet NA* B40-B120 CAN (2.644-104.0)	992
10 Kaercher Fleet services B110R NA (2.644-214.0)	994
10 Kaercher Fleet services B110R NA	995
200 KAERCHER Fleet services B40-120CAN NA	997
10 Kaercher Fleet services B110R NA (2.644-214.0)	998
10 Kaercher Fleet services B110R NA	999
40 Electric equipment B40 W Bp Dose	1001
9010 Battery charger replacement B 40 *EU (6.683-119.0)	1004
40 Electric equipment B 40 W Bp Dose US Can	1006
9010 Battery charger replacement B 40 *EU (6.683-119.0)	1009
70 Gear complete B 40 W	1011
20 Wheel drive motor B40W (6.613-512.3)	1013
9523 Mounting kit battery kit (2.638-036.0)	1014
9531 Mounting kit battery kit (2.638-059.0)	1016
160 Retrofit kit Fleet TCU	1018
10 KAERCHER reversion kit Fleet Services EU* B40-B120 CAN (2.644-094.0)	1019
10 Kaercher Fleet services B110R (2.644-213.0)	1021
10 Kaercher Fleet services B110R	1022
10 KAERCHER reversion kit Fleet NA* B40-B120 CAN (2.644-104.0)	1024
10 Kaercher Fleet services B110R NA (2.644-214.0)	1026
10 Kaercher Fleet services B110R NA	1027
20 Retrofit kit adapter RJ45 Y-Splitt CAN (2.643-776.0)	1029
30 KAERCHER reversion kit Fleet Services B40-80 EU (2.643-348.0)	1031
10 Kaercher Fleet services B110R (2.644-213.0)	1034
10 Kaercher Fleet services B110R	1035
30 KAERCHER reversion kit Fleet EU* Services B40-80 (2.644-093.0)	1037
10 Kaercher Fleet services B110R (2.644-213.0)	1040
10 Kaercher Fleet services B110R	1041
30 KAERCHER reversion kit Fleet NA* Services B40-80 (2.644-103.0)	1043
10 Kaercher Fleet services B110R NA (2.644-214.0)	1046
10 Kaercher Fleet services B110R NA	1047
400 Cover complete	1049
410 Cover tank flushing system complete	1051
500 Filling system	1053
510 Screen filling system (4.035-370.7)	1055
700 Battery kit 76 Ah (4.035-372.0)	1057
3 Pole binder single 100A (6.643-956.0)	1059

Table of contents

700 Set battery kit 76 Ah (4.035-447.0)	1061
3 Pole binder single 100A (6.643-956.0)	1063
710 Battery kit 105 Ah (4.035-373.0)	1065
3 Pole binder single 100A (6.643-956.0)	1067
710 Set battery kit 105 Ah (4.035-449.0)	1069
3 Pole binder single 100A (6.643-956.0)	1071
720 Battery kit 80 Ah wartungsarm (4.035-407.0)	1073
3 Pole binder single 100A (6.643-956.0)	1075
900 Set Homebase Mop	1077
1000 Brush-head R 55 W	1079
10 Power brush counter rotation BR	1080
2 Direct current motor replacement (4.035-428.0)	1083
8 Gear complete counter rotation (4.035-004.0)	1084
26 Direct current motor replacement (4.035-428.0)	1086
62 Set plug complete rot, 75A , Q-6mm ² (6.646-034.0)	1087
63 Set plug complete blau , 75A , Q-6mm ² (6.646-033.0)	1089
20 Roll pad	1091
1 PAD GREEN DIAM.96mm (SET 25 UNIT) (9.302-688.0)	1093
1 PAD - GREEN DIAM.96mm (9.380-066.0)	1094
3 Hub pad roll BR VS (5.120-313.0)	1095
1010 Brush-head R 55 C (2.763-013.7)	1097
10 Power brush synchronous run BR	1098
2 Direct current motor replacement (4.035-428.0)	1101
26 Direct current motor replacement (4.035-428.0)	1102
62 Set plug complete rot, 75A , Q-6mm ² (6.646-034.0)	1103
63 Set plug complete blau , 75A , Q-6mm ² (6.646-033.0)	1105
68 Tension roller D = 33,5 (4.250-083.0)	1107
20 Roll pad	1108
1 PAD GREEN DIAM.96mm (SET 25 UNIT) (9.302-688.0)	1110
1 PAD - GREEN DIAM.96mm (9.380-066.0)	1111
3 Hub pad roll BR VS (5.120-313.0)	1112
30 Conversion kit D51/R55C B60 Bp (4.036-075.0)	1114
10 Conversion kit D51/R55C B60Bp	1116
1020 Brush-head R 55 Ep 230V	1118
10 Power brush synchronous run BR	1119
68 Tension roller D = 33,5 (4.250-083.0)	1122
20 Roll pad	1123
1 PAD GREEN DIAM.96mm (SET 25 UNIT) (9.302-688.0)	1125

Table of contents

1 PAD - GREEN DIAM.96mm (9.380-066.0)	1126
3 Hub pad roll BR VS (5.120-313.0)	1127
1030 Brush-head R 55 Ep 120V	1129
10 Power brush synchronous run BR	1130
68 Tension roller D = 33,5 (4.250-083.0)	1133
20 Roll pad	1134
1 PAD GREEN DIAM.96mm (SET 25 UNIT) (9.302-688.0)	1136
1 PAD - GREEN DIAM.96mm (9.380-066.0)	1137
3 Hub pad roll BR VS (5.120-313.0)	1138
1040 Brush-head R 45 W (2.763-019.0)	1140
10 Brush-head R 45 W	1141
10 Power brush counter rotation BR	1142
2 Direct current motor replacement (4.035-428.0)	1145
8 Gear complete counter rotation (4.035-004.0)	1146
26 Direct current motor replacement (4.035-428.0)	1148
51 Roller brush complete red BR 45/40 (4.762-392.0)	1149
62 Set plug complete rot, 75A , Q-6mm ² (6.646-034.0)	1151
63 Set plug complete blau , 75A , Q-6mm ² (6.646-033.0)	1153
11 Roll pad	1155
1 Micro-fibre roll complete BR 45/40 (4.114-009.0)	1157
3 Hub pad roll BR VS (5.120-313.0)	1158
1050 Brush-head R 45 C	1160
10 Power brush synchronous run BR	1161
2 Direct current motor replacement (4.035-428.0)	1164
26 Direct current motor replacement (4.035-428.0)	1165
51 Roller brush complete red BR 45/40 (4.762-392.0)	1166
62 Set plug complete rot, 75A , Q-6mm ² (6.646-034.0)	1168
63 Set plug complete blau , 75A , Q-6mm ² (6.646-033.0)	1170
68 Tension roller D = 33,5 (4.250-083.0)	1172
20 Roll pad	1173
1 Micro-fibre roll complete BR 45/40 (4.114-009.0)	1175
3 Hub pad roll BR VS (5.120-313.0)	1176
1060 Brush-head R 45 Ep 230V	1178
10 Power brush synchronous run BR	1179
51 Roller brush complete red BR 45/40 (4.762-392.0)	1182
68 Tension roller D = 33,5 (4.250-083.0)	1184
20 Roll pad	1185
1 Micro-fibre roll complete BR 45/40 (4.114-009.0)	1187

Table of contents

3 Hub pad roll BR VS (5.120-313.0)	1188
1070 Brush-head R 45 Ep 120V	1190
10 Power brush synchronous run BR	1191
51 Roller brush complete red BR 45/40 (4.762-392.0)	1194
68 Tension roller D = 33,5 (4.250-083.0)	1196
20 Roll pad	1197
1 Micro-fibre roll complete BR 45/40 (4.114-009.0)	1199
3 Hub pad roll BR VS (5.120-313.0)	1200
1100 Brush-head D 43 Bp	1202
10 Power brush BD	1203
21 Lever complete BD 40 (4.035-435.0)	1207
62 Disc brush complete red D43 (4.905-022.0)	1208
11 Power brush BD	1209
21 Lever complete BD 40 (4.035-435.0)	1213
62 Disc brush complete red D43 (4.905-022.0)	1214
1110 Brush-head D 43 Ep 230V	1215
10 Power brush BD	1216
21 Lever complete BD 40 (4.035-435.0)	1220
62 Disc brush complete red D43 (4.905-022.0)	1221
11 Power brush BD	1222
21 Lever complete BD 40 (4.035-435.0)	1226
62 Disc brush complete red D43 (4.905-022.0)	1227
1120 Brush-head D 43 Ep 120V	1228
10 Power brush BD	1229
21 Lever complete BD 40 (4.035-435.0)	1233
62 Disc brush complete red D43 (4.905-022.0)	1234
11 Power brush BD	1235
21 Lever complete BD 40 (4.035-435.0)	1239
62 Disc brush complete red D43 (4.905-022.0)	1240
1130 Brush-head D 51 Bp (2.763-026.7)	1241
10 Power brush BD	1242
21 Lever complete BD 40 (4.035-435.0)	1246
62 Disc brush complete red D51 (4.905-026.0)	1247
62 Disc brush complete nature D51 (4.905-027.0)	1249
62 Disc brush complete white D51 (4.905-028.0)	1251
62 Disc brush complete black D51 (4.905-029.0)	1253
63 Pad disk complete D51 (4.762-534.0)	1255
11 Power brush BD	1257

Table of contents

21 Lever complete BD 40 (4.035-435.0)	1261
62 Disc brush complete red D51 (4.905-026.0)	1262
62 Disc brush complete nature D51 (4.905-027.0)	1264
62 Disc brush complete white D51 (4.905-028.0)	1266
62 Disc brush complete black D51 (4.905-029.0)	1268
63 Pad disk complete D51 (4.762-534.0)	1270
20 Conversion kit brush-head	1272
30 Conversion kit D51/R55C B60 Bp (4.036-075.0)	1274
10 Conversion kit D51/R55C B60Bp	1276
1140 Brush-head D 51 Ep 230V	1278
10 Power brush BD	1279
21 Lever complete BD 40 (4.035-435.0)	1283
62 Disc brush complete red D51 (4.905-026.0)	1284
62 Disc brush complete nature D51 (4.905-027.0)	1286
62 Disc brush complete white D51 (4.905-028.0)	1288
62 Disc brush complete black D51 (4.905-029.0)	1290
63 Pad disk complete D51 (4.762-534.0)	1292
11 Power brush BD	1294
21 Lever complete BD 40 (4.035-435.0)	1298
62 Disc brush complete red D51 (4.905-026.0)	1299
62 Disc brush complete nature D51 (4.905-027.0)	1301
62 Disc brush complete white D51 (4.905-028.0)	1303
62 Disc brush complete black D51 (4.905-029.0)	1305
63 Pad disk complete D51 (4.762-534.0)	1307
1150 Brush-head D 51 Ep 120V	1309
10 Power brush BD	1310
21 Lever complete BD 40 (4.035-435.0)	1314
62 Disc brush complete red D51 (4.905-026.0)	1315
62 Disc brush complete nature D51 (4.905-027.0)	1317
62 Disc brush complete white D51 (4.905-028.0)	1319
62 Disc brush complete black D51 (4.905-029.0)	1321
63 Pad disk complete D51 (4.762-534.0)	1323
11 Power brush BD	1325
21 Lever complete BD 40 (4.035-435.0)	1329
62 Disc brush complete red D51 (4.905-026.0)	1330
62 Disc brush complete nature D51 (4.905-027.0)	1332
62 Disc brush complete white D51 (4.905-028.0)	1334
62 Disc brush complete black D51 (4.905-029.0)	1336

Table of contents

63 Pad disk complete D51 (4.762-534.0)	1338
1160 Brush-head O 51 Orbital	1340
10 ASM, DOWNFORCE OFFSET, D51 ORBITAL (8.638-800.0)	1341
20 ASM, DECK, D51 ORBITAL, 20" (8.638-801.0)	1343
1200 Suction bar straight 850mm (4.777-406.0)	1346
10 Suction bar pre-assembled straight 850mm (4.035-301.0)	1348
9000 Conversion kit support roller deep (4.035-281.0)	1350
9002 BLADES FOR TEXTURED FLOORS (6.273-290.0)	1352
9500 Set deflector roll stack formation SB (4.035-619.0)	1353
1210 Suction bar curved 850mm (4.777-416.0)	1355
10 Suction bar pre-assembled curved 850mm (4.035-311.0)	1357
9000 Conversion kit support roller deep (4.035-281.0)	1359
9002 BLADES FOR TEXTURED FLOORS (6.273-290.0)	1361
1220 Suction bar straight 850mm (4.777-401.0)	1362
10 Suction bar pre-assembled straight 850mm (4.035-301.0)	1364
9000 Conversion kit support roller deep (4.035-281.0)	1366
9000 Roller suction bar (4.035-339.0)	1368
9002 BLADES FOR TEXTURED FLOORS (6.273-290.0)	1370
9500 Set deflector roll stack formation SB (4.035-619.0)	1371
1230 Suction bar curved 850mm (4.777-411.0)	1373
10 Suction bar pre-assembled curved 850mm (4.035-311.0)	1375
9000 Conversion kit support roller deep (4.035-281.0)	1377
9000 Roller suction bar (4.035-339.0)	1379
9002 BLADES FOR TEXTURED FLOORS (6.273-290.0)	1381
1240 Suction bar v-shaped 900 mm (4.777-079.7)	1382
50 Deflector roll suction bar complete (4.435-005.0)	1384
60 Profile pre-assembled right AB 900 mm (4.035-162.0)	1386
70 Profile pre-assembled left AB 900 mm (4.035-163.0)	1387
9002 Support roller complete replacement (4.035-171.0)	1388
9003 Support roller complete replacement (4.035-557.0)	1390
9500 Set deflector roll stack formation SB (4.035-619.0)	1392
1250 Suction bar v-shaped 750mm (4.777-083.0)	1394
60 Profile pre-assembled right	1396
70 Profile pre-assembled left	1397
9002 Support roller complete replacement (4.035-171.0)	1398
9003 Support roller complete replacement (4.035-557.0)	1400
9500 Set deflector roll stack formation SB (4.035-619.0)	1402
9523 Mounting kit battery kit (2.638-036.0)	1404

9531 Mounting kit battery kit (2.638-059.0)

1406

B 40 (1.533-210.2)

POS	Article no.	Description	Quantity	Unit
10	2.533-200.0	B 40 C Ep 240V	1	PC
20	2.533-201.0	B 40 C Ep 120V	1	PC
30	2.533-202.0	B 40 C Bp	1	PC
40	2.533-203.0	B 40 C Bp Dose	1	PC
50	2.533-204.0	B 40 W Bp	1	PC
60	2.533-205.0	B 40 W Bp Dose	1	PC
70	2.533-206.0	B 40 C Bp *UL	1	PC
80	2.533-207.0	B 40 W Bp *UL	1	PC
90	2.533-208.0	B 40 C Bp Classic	1	PC
100	2.533-222.7	B 40 C Bp Fleet	1	PC
110	2.533-223.7	B 40 C Bp DOSE Fleet	1	PC
120	2.533-224.7	B 40 W Bp Fleet	1	PC
130	2.533-225.7	B 40 W Bp DOSE Fleet	1	PC
140	2.533-226.7	B 40 C Bp Fleet *UL	1	PC
150	2.533-227.7	B 40 W Bp Fleet *UL	1	PC
160		Retrofit kit Fleet TCU	1	PC
400		Cover complete	1	PC
410		Cover tank flushing system complete	1	PC
500		Filling system	1	PC
510	4.035-370.7	Screen filling system	1	PC
700	4.035-372.0	Battery kit 76 Ah	1	PC
700	4.035-447.0	Set battery kit 76 Ah	1	PC
710	4.035-373.0	Battery kit 105 Ah	1	PC
710	4.035-449.0	Set battery kit 105 Ah	1	PC
720	4.035-407.0	Battery kit 80 Ah wartungsarm	1	PC
730		Battery kit 80 Ah B40	1	PC
740		Battery kit 115 Ah B40	1	PC
900		Set Homebase Mop	1	PC
1000		Brush-head R 55 W	1	PC
1010	2.763-013.7	Brush-head R 55 C	1	PC
1020		Brush-head R 55 Ep 230V	1	PC
1030		Brush-head R 55 Ep 120V	1	PC
1040	2.763-019.0	Brush-head R 45 W	1	PC

B 40 (1.533-210.2)

POS	Article no.	Description	Quantity	Unit
1050		Brush-head R 45 C	1	PC
1060		Brush-head R 45 Ep 230V	1	PC
1070		Brush-head R 45 Ep 120V	1	PC
1100		Brush-head D 43 Bp	1	PC
1110		Brush-head D 43 Ep 230V	1	PC
1120		Brush-head D 43 Ep 120V	1	PC
1130	2.763-026.7	Brush-head D 51 Bp	1	PC
1140		Brush-head D 51 Ep 230V	1	PC
1150		Brush-head D 51 Ep 120V	1	PC
1160		Brush-head O 51 Orbital	1	PC
1200	4.777-406.0	Suction bar straight 850mm	1	PC
1210	4.777-416.0	Suction bar curved 850mm	1	PC
1220	4.777-401.0	Suction bar straight 850mm	1	PC
1230	4.777-411.0	Suction bar curved 850mm	1	PC
1240	4.777-079.7	Suction bar v-shaped 900 mm	1	PC
1250	4.777-083.0	Suction bar v-shaped 750mm	1	PC
1610	6.645-585.0	Cable with plug B40-JP	1	PC
9520	2.815-099.0	Battery kit Gel 2x 12V/76Ah	1	SET
9521	2.815-100.0	Battery kit Gel 2x 12V/105Ah	1	SET
9522	2.815-090.0	Battery kit AGM 2x 12V/80Ah	1	SET
9523	2.638-036.0	Mounting kit battery kit	1	PC
9530	2.815-091.0	Battery kit AGM 2x 12V/115Ah	1	SET
9531	2.638-059.0	Mounting kit battery kit	1	PC

10 B 40 C Ep 240V (2.533-200.0)

POS	Article no.	Description	Quantity	Unit
120		Documentation Ep	1	PC
400	5.971-696.0	Spare parts list B 40 C Ep 240V	1	PC

120 Documentation Ep

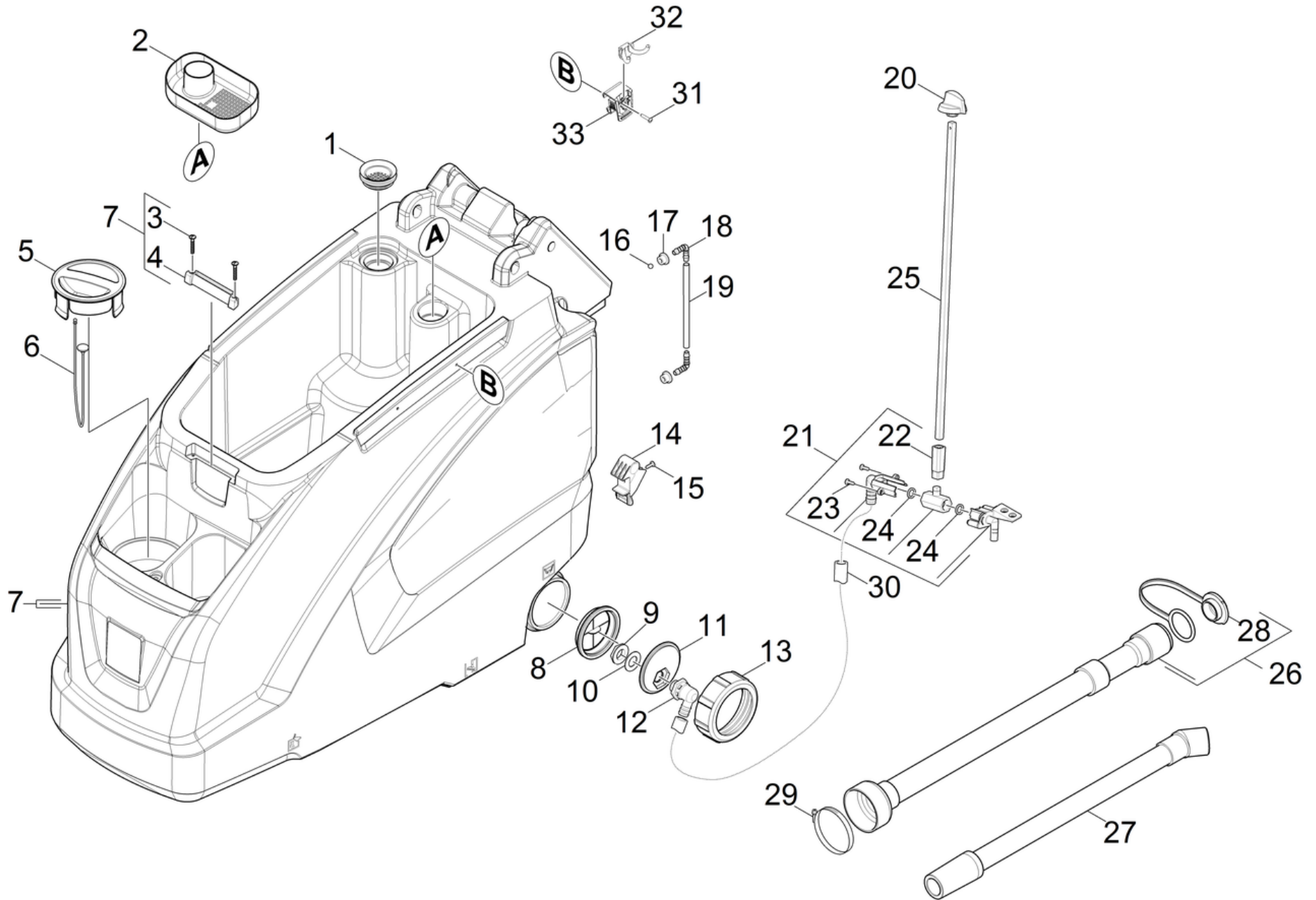
POS	Article no.	Description	Quantity	Unit
70	6.277-323.0	Documentation pocket	1	PC
80		PAIS B40	1	PC

400 Spare parts list B 40 C Ep 240V (5.971-696.0)

POS	Article no.	Description	Quantity	Unit
10		Tank	1	PC
20		Frame	1	PC
30		Vacuum motor	1	PC
40		Control panel	1	PC
50		Tachograph	1	PC
60		Electronics	1	PC
70		Suction bar lifting complete	1	PC
80		Suspension power brush	1	PC
9000	4.070-075.0	Set universal hook	1	PC
9001	4.777-406.0	Suction bar straight 850mm	1	PC
9002	4.777-416.0	Suction bar curved 850mm	1	PC
9003	4.777-401.0	Suction bar straight 850mm	1	PC
9004	4.777-079.0	Suction bar v-shaped 900mm	1	PC

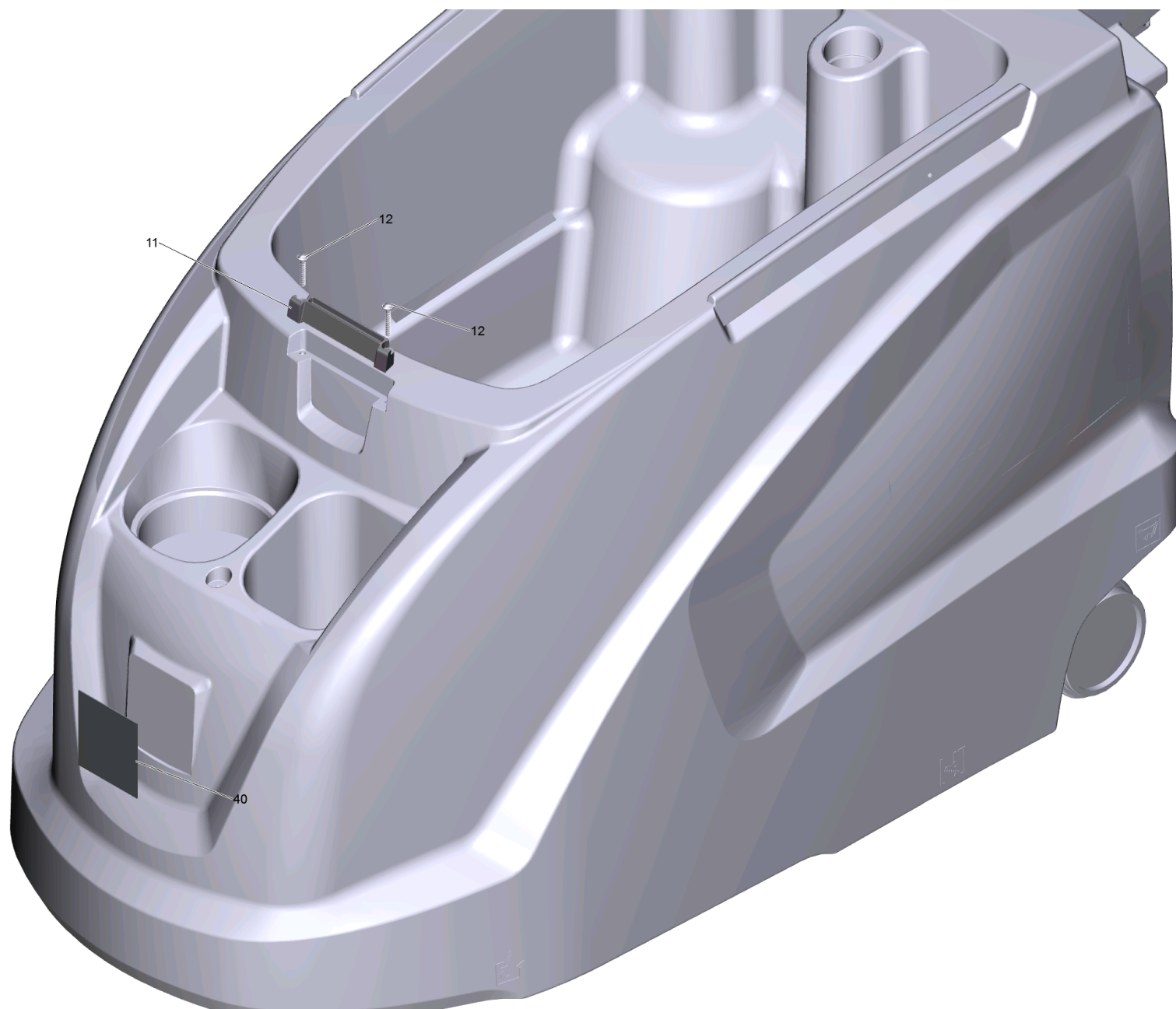
10 Tank

POS	Description	Quantity	Unit
11	Tank	1	PC
12	Covering cap rear	1	PC



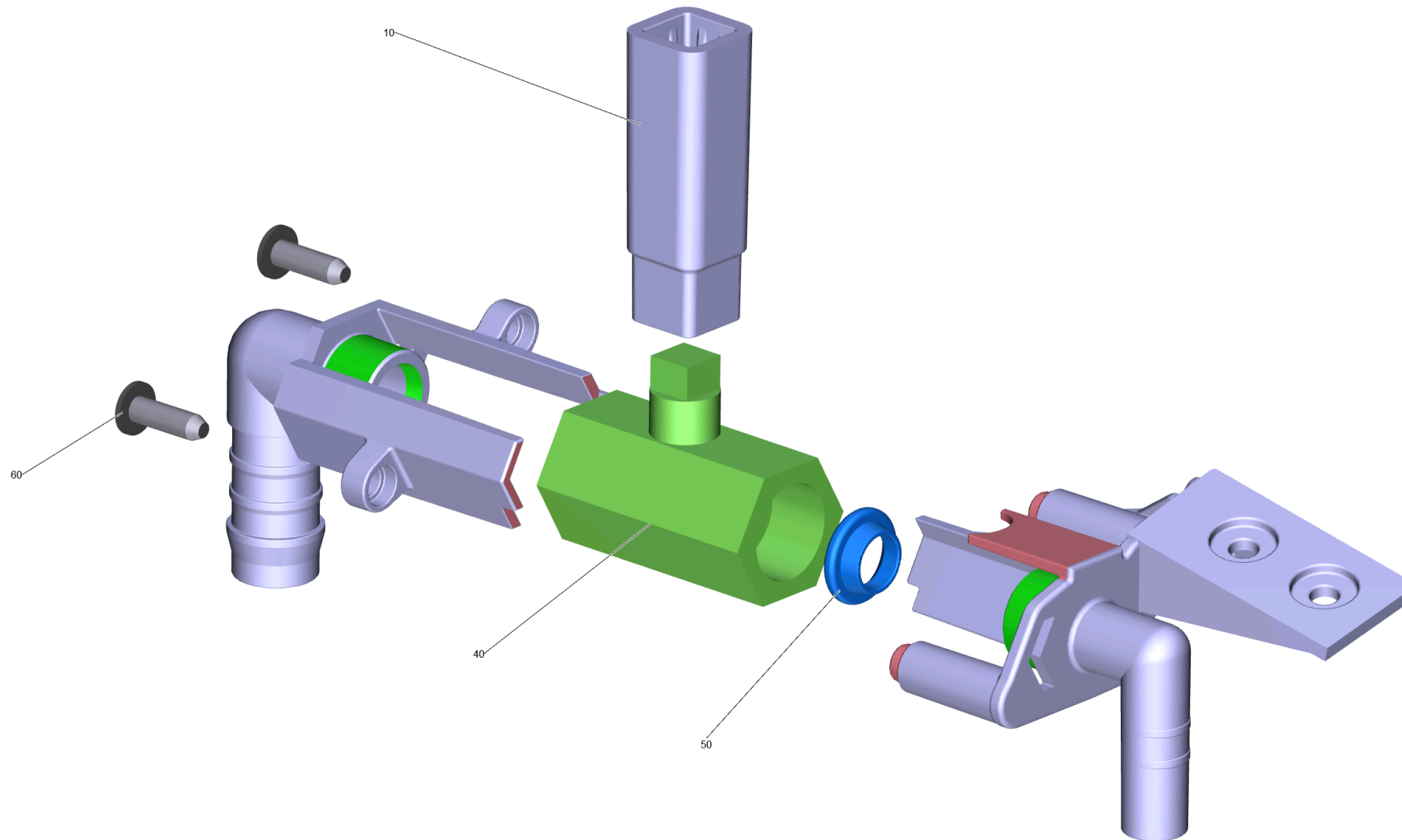
11 Tank

POS	Article no.	Description	Quantity	Unit	Foot note text
1	5.515-266.0	Joint ring fluffing strainer	1	PC	
2	5.036-932.0	Tank bulk waste yellow	1	PC	
3	7.303-086.0	Screw 5x30 -10.9-R2R (K-In6Rd)	2	PC	
4	5.035-482.0	Add-on part tank cover	1	PC	
5	5.034-099.0	Cover fresh water metering RM	1	PC	
6	5.035-358.0	Mounting rope cover fresh water tank	1	PC	
7	4.035-429.0	Tank replacement B40	1	PC	
8	5.035-376.0	Filter discharge	1	PC	
9	6.310-004.0	Hexagon nut G 1/2"	1	PC	
10	5.515-253.0	Seal D34	1	PC	
11	5.035-342.0	Hose connection fresh water discharge	1	PC	
12	6.395-163.3	Angle bushing G1-2	1	PC	
13	5.035-341.0	Cover fresh water tank discharge	1	PC	
14	5.035-433.0	Adapter	2	PC	
16	6.035-006.0	Sphere level indicator	1	PC	
17	5.035-608.0	Wire protecting sleeve	2	PC	
18	6.391-913.0	Elbow nipple	2	PC	
19	5.035-328.0	Silicon hose level indicator	1	PC	
20	5.035-404.0	Handle	1	PC	
21	4.035-426.0	Ball valve complete replacement	1	PC	
22	5.035-459.0	Coupler piece ball valve	1	PC	
23	7.303-107.0	Screw 5x16 -10.9-P2R (K-In6Rd)	2	PC	
24	5.035-770.0	Seal ball valve	2	PC	
25	5.035-369.0	Bar	1	PC	
26	4.035-285.0	Drain hose with cover PU	1	PC	OIL RESISTANT
27	6.392-471.0	Suction hose PU DN32	1	PC	OIL RESISTANT
28	5.035-723.0	Cover drain hose yellow	1	PC	STANDARD
28	5.035-815.0	Cover drain hose oil resistant	1	PC	OIL RESISTANT
29	6.388-767.0	Hose clip 70- 90	1	PC	
30	6.390-324.0	Hose DN16	1	m	TO ORDER AS CUT GOODS
31	7.303-109.0	Screw 5x25 -10.9-R2R (In6Rd)	1	PC	
32	6.980-077.0	Double hook	1	PC	
33	5.035-488.0	Adapter Homebase	1	PC	



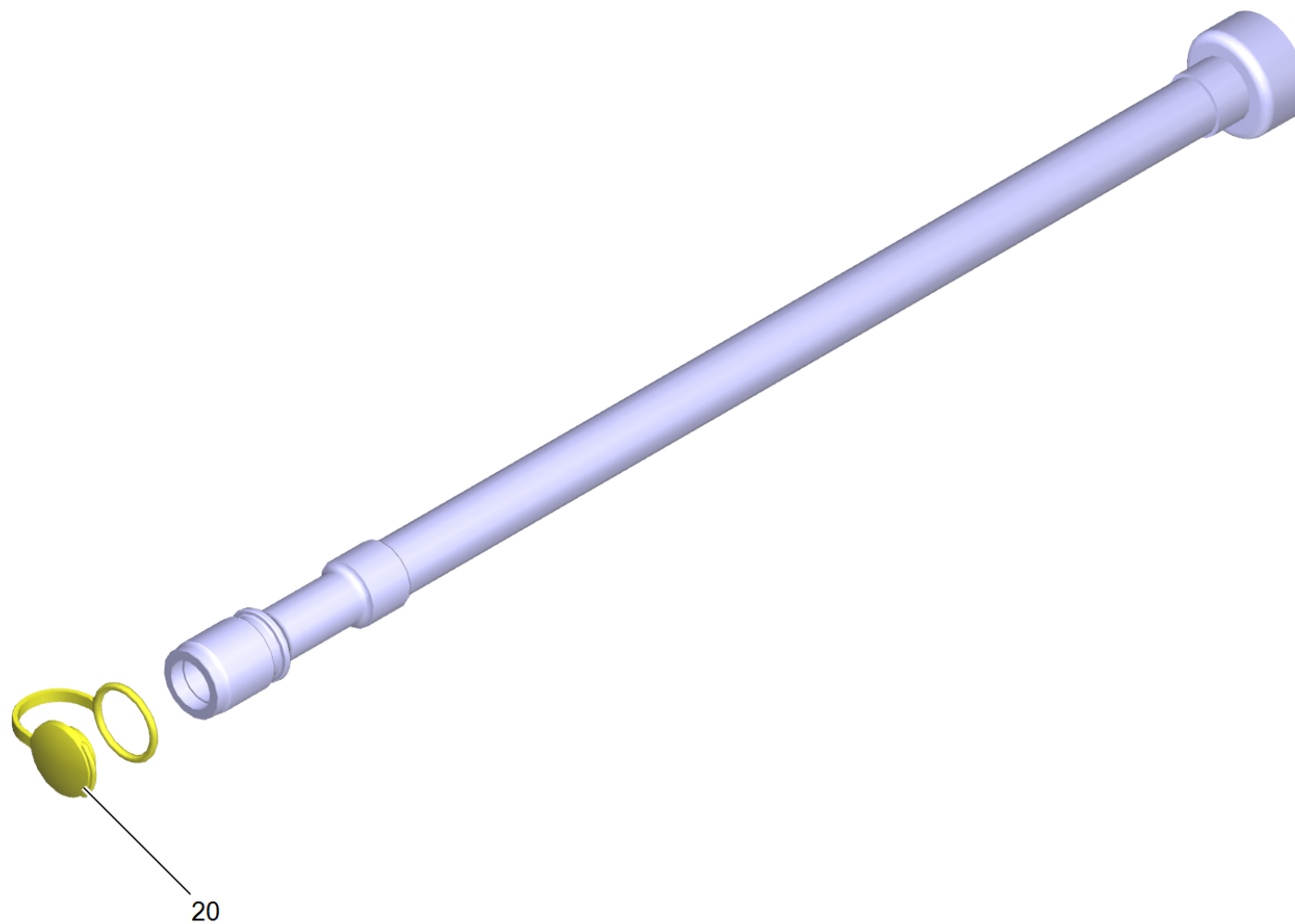
7 Tank replacement B40 (4.035-429.0)

POS	Article no.	Description	Quantity	Unit
11	5.035-482.0	Add-on part tank cover	1	PC
12	7.303-086.0	Screw 5x30 -10.9-R2R (K-In6Rd)	2	PC
40	5.394-081.0	Label signet gel 78x86	1	PC



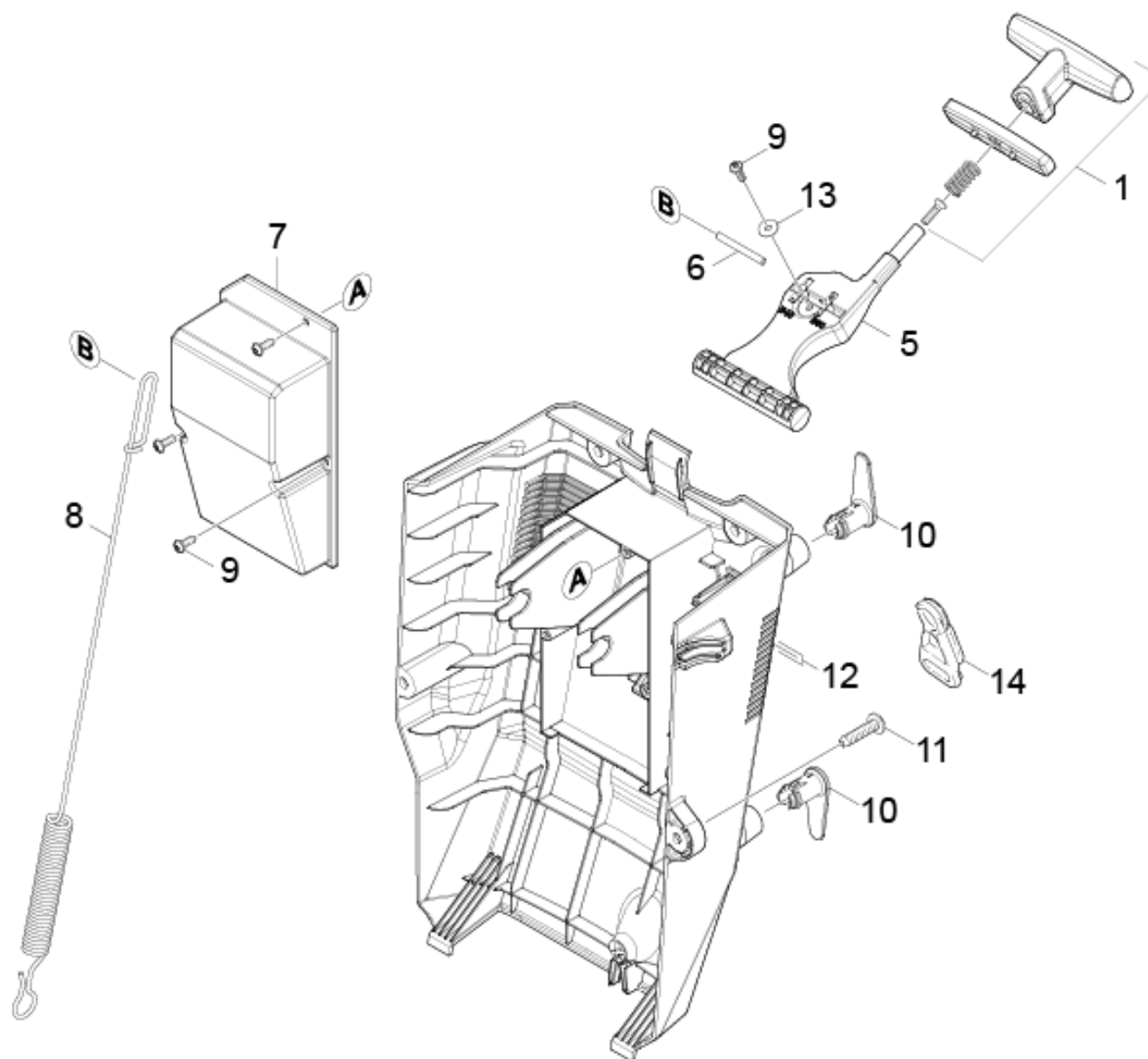
21 Ball valve complete replacement (4.035-426.0)

POS	Article no.	Description	Quantity	Unit
10	5.035-459.0	Coupler piece ball valve	1	PC
40	6.413-586.0	Ball valve without handhold	1	PC
50	5.035-770.0	Seal ball valve	2	PC
60	7.303-107.0	Screw 5x16 -10.9-P2R (K-In6Rd)	2	PC



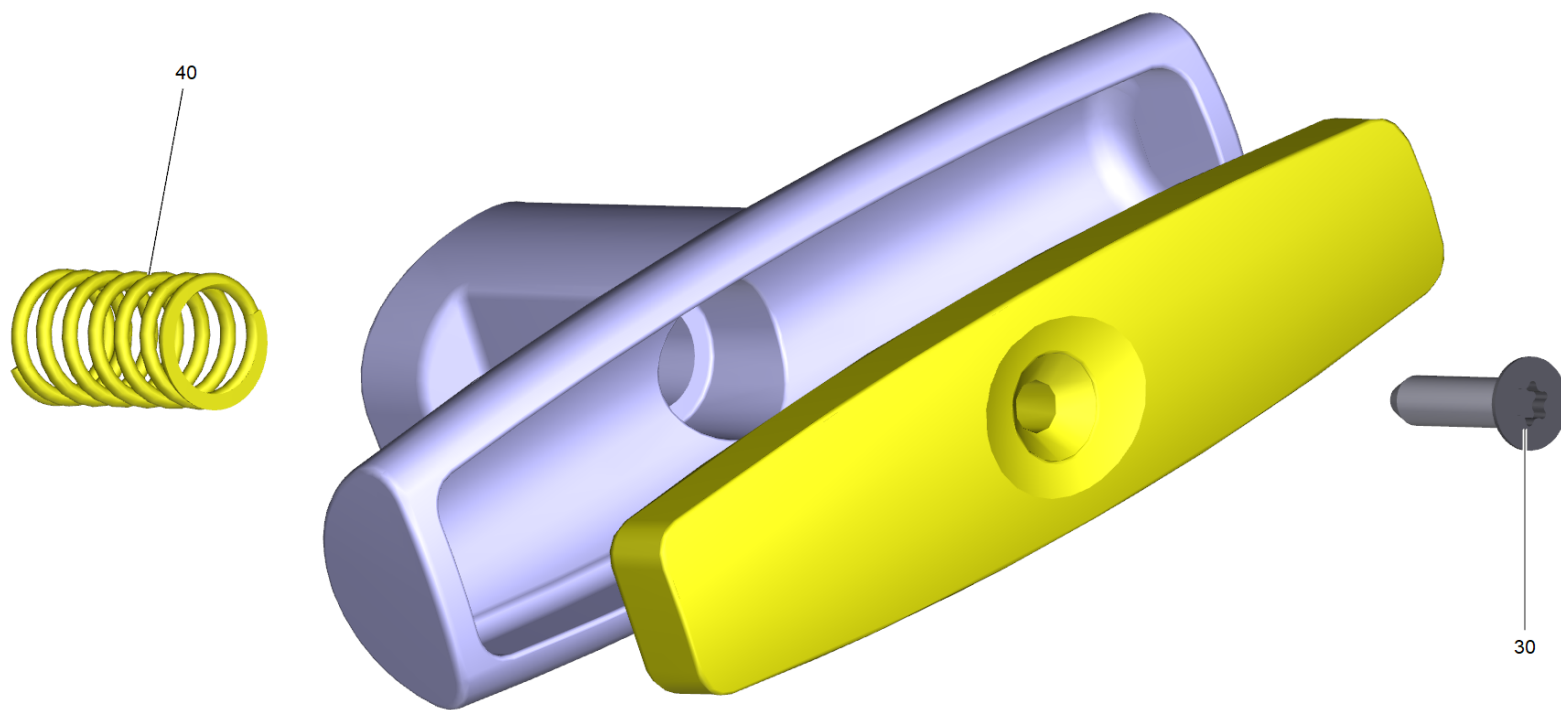
26 Drain hose with cover PU (4.035-285.0)

POS	Article no.	Description	Quantity	Unit
20	5.036-249.0	Cover plate drain hose yellow PU	1	PC



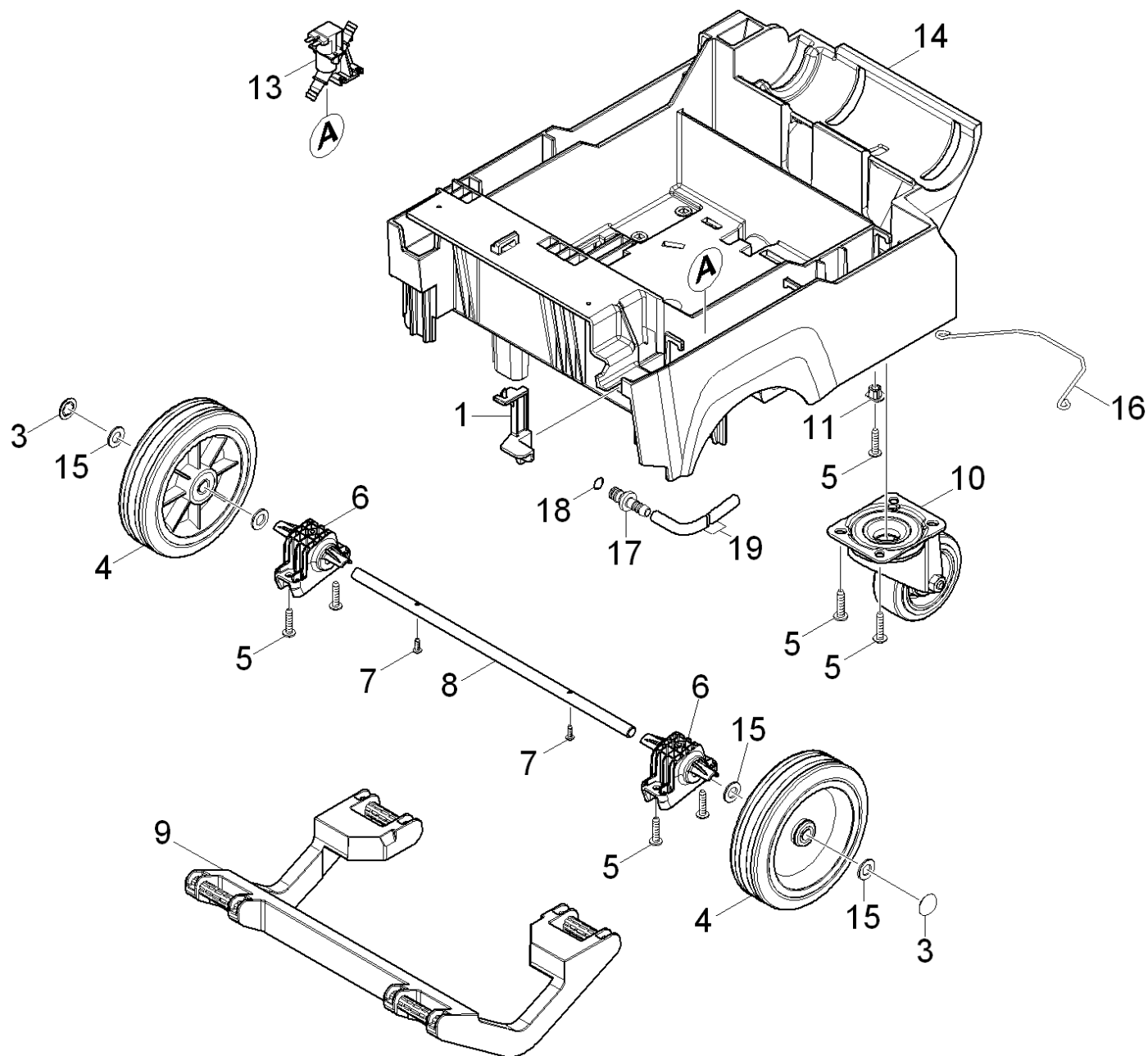
12 Covering cap rear

POS	Article no.	Description	Quantity	Unit
1	4.035-612.0	Set handhold adjustment	1	PC
5	5.035-445.0	Lever suction bar	1	PC
6	5.035-453.0	Axle lever suction bar	1	PC
7	5.035-446.0	Cover covering cap rear	1	PC
8	5.035-423.0	Extension spring	1	PC
9	7.303-107.0	Screw 5x16 -10.9-P2R (K-In6Rd)	3	PC
10	5.044-661.0	Catch for cable yellow	2	PC
11	6.303-315.0	Screw 8 x 35	4	PC
12	5.035-366.0	Covering cap	1	PC
13	7.312-282.0	Washer 5 -A2 ISO 7093-1	1	PC
14	6.641-776.0	Strain relief	1	PC



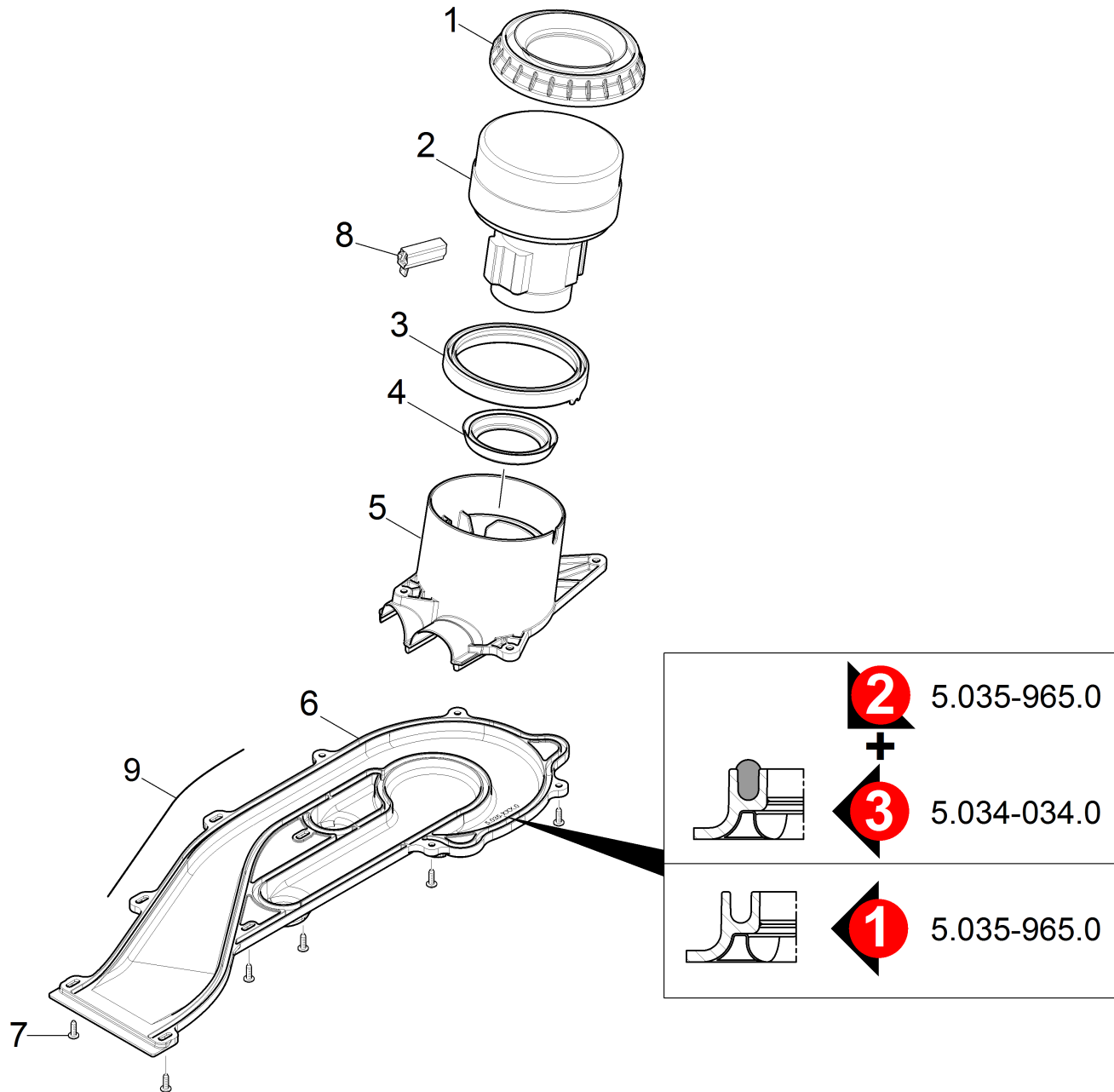
1 Set handhold adjustment (4.035-612.0)

POS	Article no.	Description	Quantity	Unit
30	7.303-128.0	Countersunk screw 5x20 -10.9-R2R (In6Rd)	1	PC
40	5.332-481.0	Helical spring	1	PC



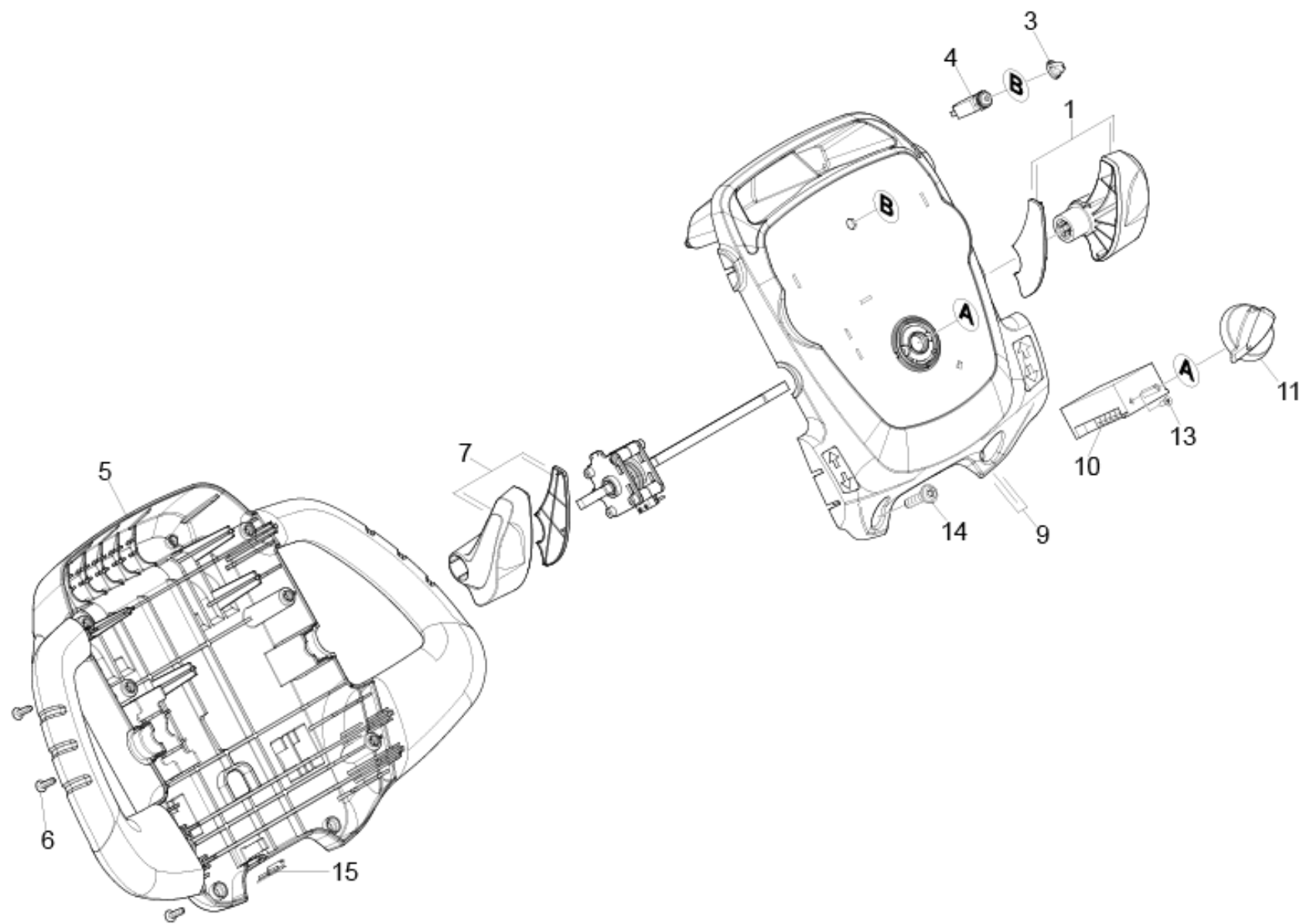
20 Frame

POS	Article no.	Description	Quantity	Unit	Remark	Foot note text
1	5.035-435.0	Tank locking part	1	PC		
3	6.343-240.0	Lock washer	2	PC		
4	6.435-412.0	Wheel D 200	2	PC		
5	6.303-315.0	Screw 8 x 35	15	PC		
6	5.035-352.0	Holder axle	2	PC		
7	7.303-109.0	Screw 5x25 -10.9-R2R (In6Rd)	2	PC		
8	5.035-360.0	Wheel axle carriage	1	PC		
9	5.035-334.0	Retaining bracket connecting rod	1	PC		
10	6.435-011.3	Castor	2	PC		
11	5.035-522.0	Sleeve	3	PC		
13	6.472-003.3	Solenoid valve replacement 220-240V 50/6	1	PC	230 V	
14	5.035-350.0	Frame B40	1	PC		
15	7.312-028.0	Washer 14-200HV-A3E ISO7089	4	PC		
16	5.035-440.0	Wire spring	1	PC		
17	5.443-375.0	Hose stem	1	PC		
18	6.362-170.0	O-Ring seal 11,3 X 2,4-NBR 70	1	PC		
19	6.390-852.0	Hose fabric reinforced NW12	1	m		TO ORDER AS CUT GOODS



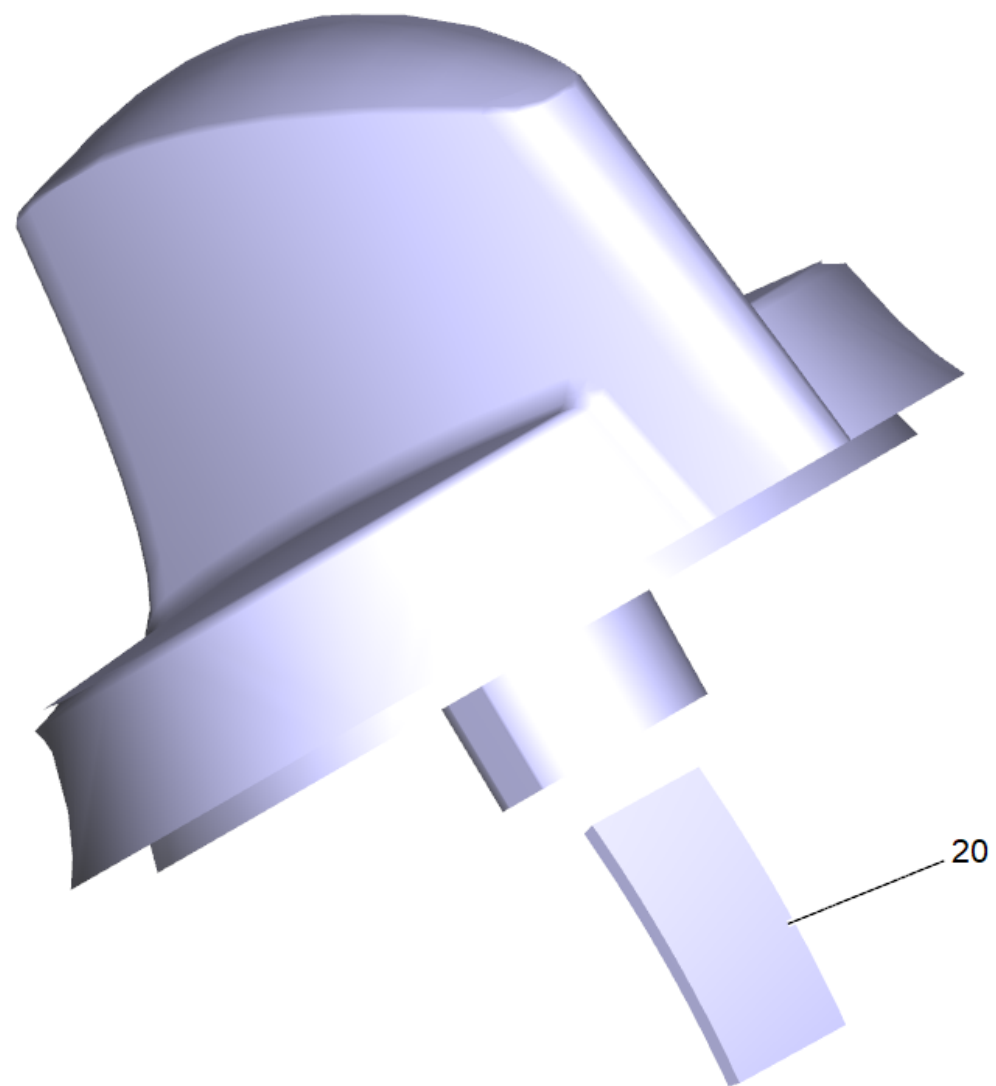
30 Vacuum motor

POS	Article no.	Description	Quantity	Unit	Remark	Foot note text
1	5.035-333.0	Bearing vacuum motor	1	PC		
2	4.035-421.0	Vacuum motor replacement	1	PC	230 V	
3	5.035-332.0	Joint ring turbine	1	PC		
4	5.363-395.0	Seal	1	PC		
5	5.034-032.0	Air circulation turbine bottom	1	PC		VERSION 2
5	5.035-964.0	Air circulation bottom turbine	1	PC		VERSION 1
6	4.034-009.0	Air circulation turbine replacement	1	PC		VERSION 2
6	5.034-034.0	Air circulation turbine above foamed	1	PC		VERSION 3
6	7.777-999.0	Stockpiling discontinued	1	PC		VERSION 1
7	7.303-107.0	Screw 5x16 -10.9-P2R (K-In6Rd)	8	PC		
8	6.610-332.0	Set carbon brushes for replacement	1	PC	230V	
9	6.273-196.0	Seal string cellular rubber	1	m		TO ORDER AS CUT GOODS



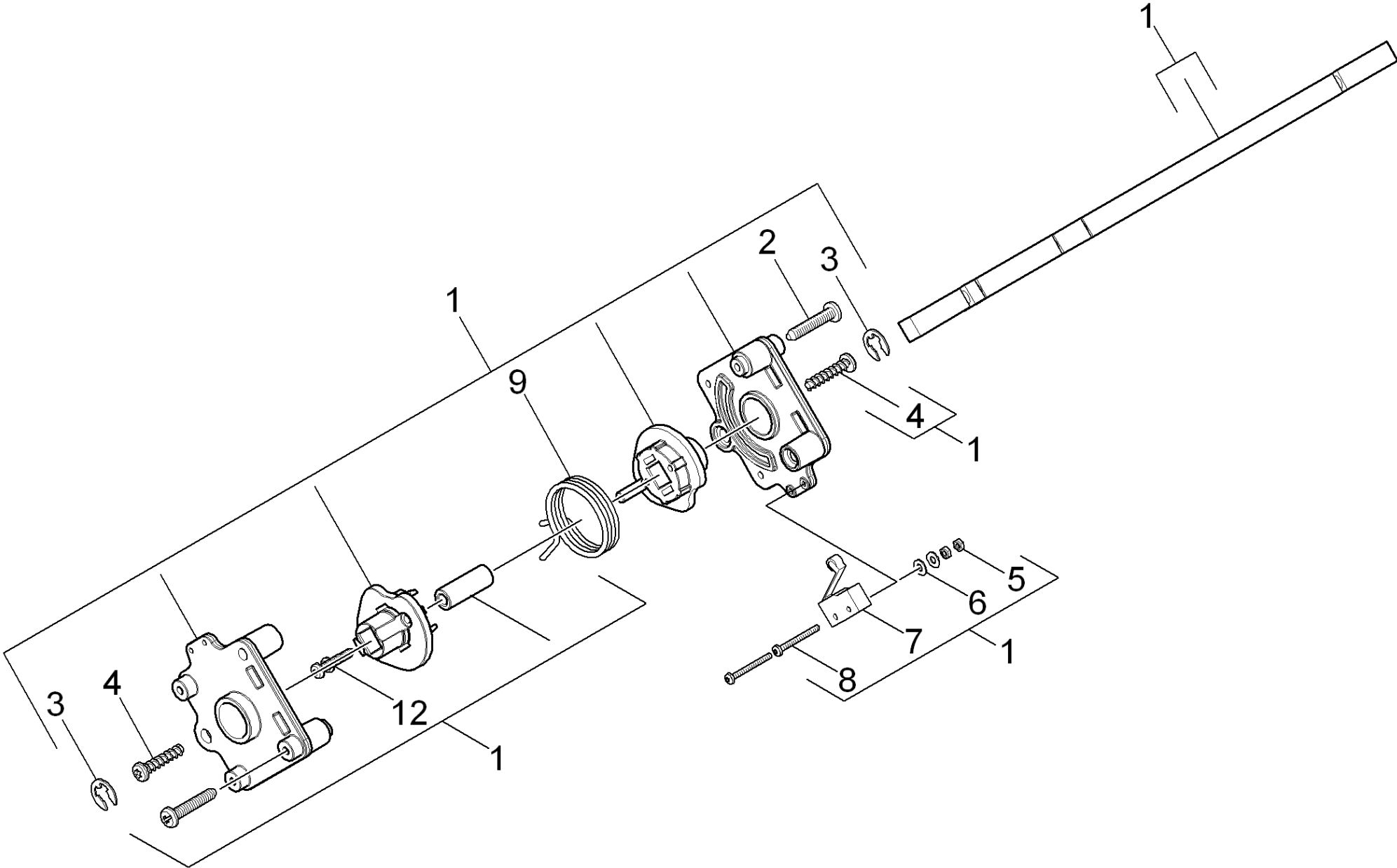
40 Control panel

POS	Article no.	Description	Quantity	Unit	Foot note text
1	4.035-495.0	Tachograph right complete	1	PC	
3	6.630-082.0	Protecting cap	1	PC	
4	6.630-081.0	Fuse motor protecting 7A	1	PC	
5	4.035-129.0	Housing control panel replacement B40 EP	1	PC	WITHOUT SLOT FOR 5.033-829.0
5	5.035-219.0	Housing bottom part control panel	1	PC	WITH SLOT FOR 5.033-829.0
6	7.303-109.0	Screw 5x25 -10.9-R2R (In6Rd)	6	PC	
7	4.035-496.0	Tachograph left complete	1	PC	
9	4.035-122.0	Covering cap control panel replacement B	1	PC	WITH SLOT FOR 5.033-829.0
9	4.035-461.0	Covering cap control panel replacement B	1	PC	WITHOUT SLOT FOR 5.033-829.0
10	4.035-414.0	Switch mains replacement	1	PC	
11	4.035-608.0	Handhold operational concept complete	1	PC	
13	7.305-036.0	Countersunk screw M4x12 -A2-70-s (IN6RD	2	PC	
14	6.303-315.0	Screw 8 x 35	2	PC	
15	5.033-829.0	Rubber stopper control panel	1	PC	



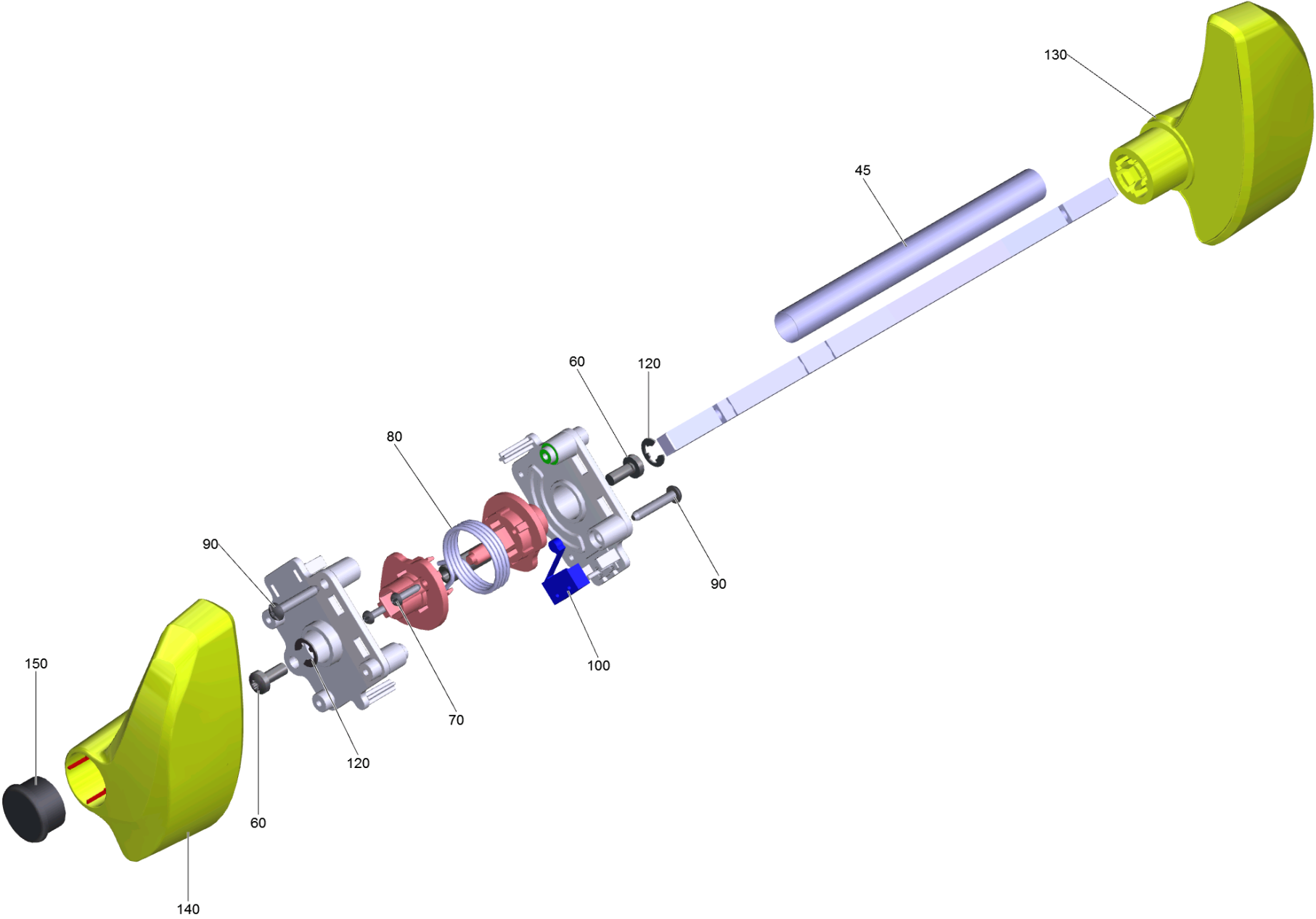
11 Handhold operational concept complete (4.035-608.0)

POS	Article no.	Description	Quantity	Unit
20	6.313-014.0	Spring element	1	PC



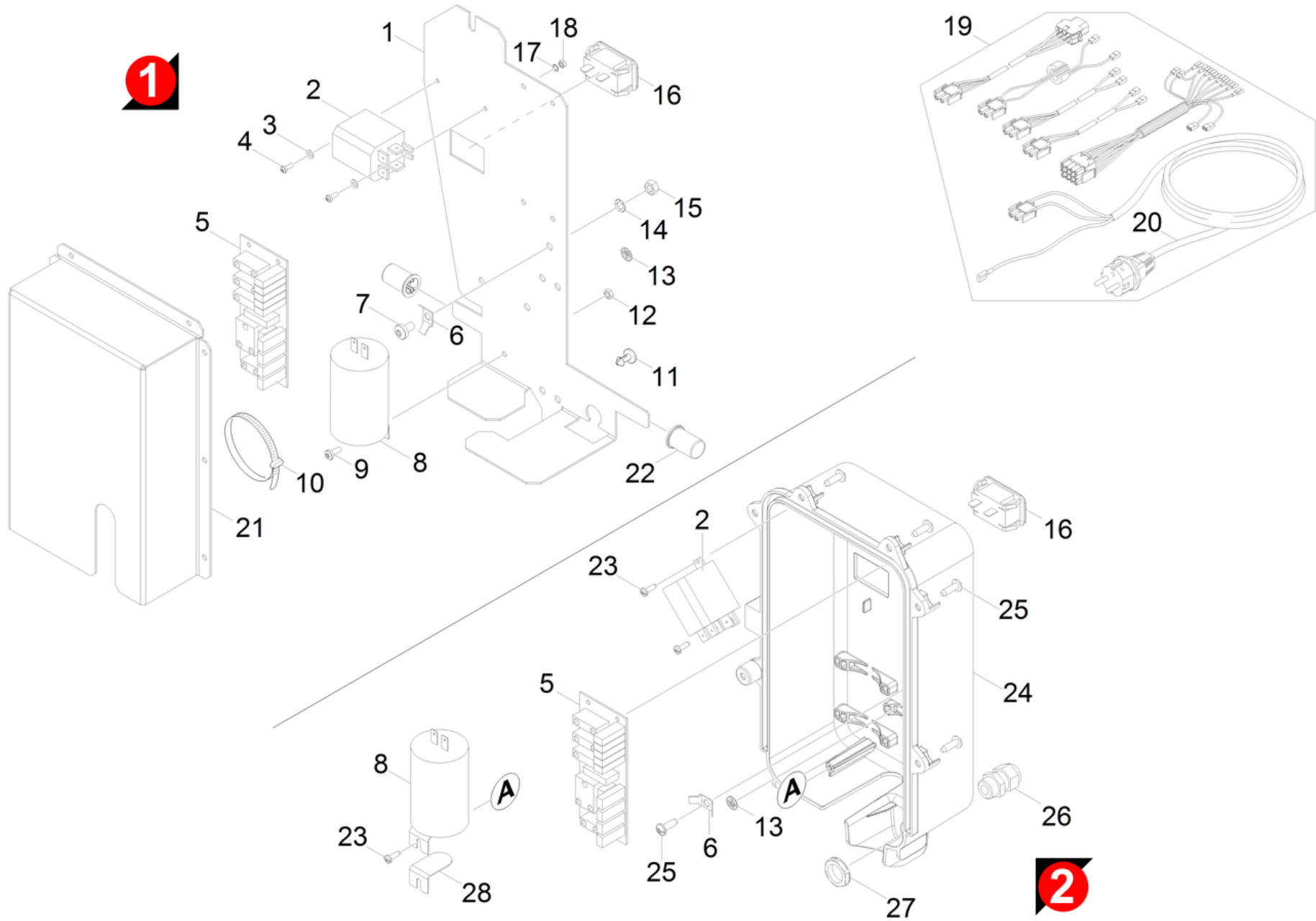
50 Tachograph

POS	Article no.	Description	Quantity	Unit
1	4.035-475.0	Tachograph set Ep	1	PC
2	7.303-096.0	Screw 4x22-ST-10.9-R2R (IN6RD)	2	PC
3	7.343-201.0	Lock washer 6-FST-PHR DIN 6799	2	PC
4	7.306-394.0	Screw M5x12 -8.8-ZNBHL ISO 14583	2	PC
5	7.311-074.0	Hexagon nut M 2-8-A2E ISO 4032	2	PC
6	7.312-053.0	Washer 2,5-200HV-A3E ISO 7089	2	PC
7	6.630-501.0	Switch	1	PC
8	7.306-045.0	Cylinder head screw M2x20-4.8-A2K DIN 84	2	PC
9	6.330-441.0	Torsion spring tachograph	1	PC
12	6.303-557.0	Screw 3x12 Kombitorx T8	2	PC



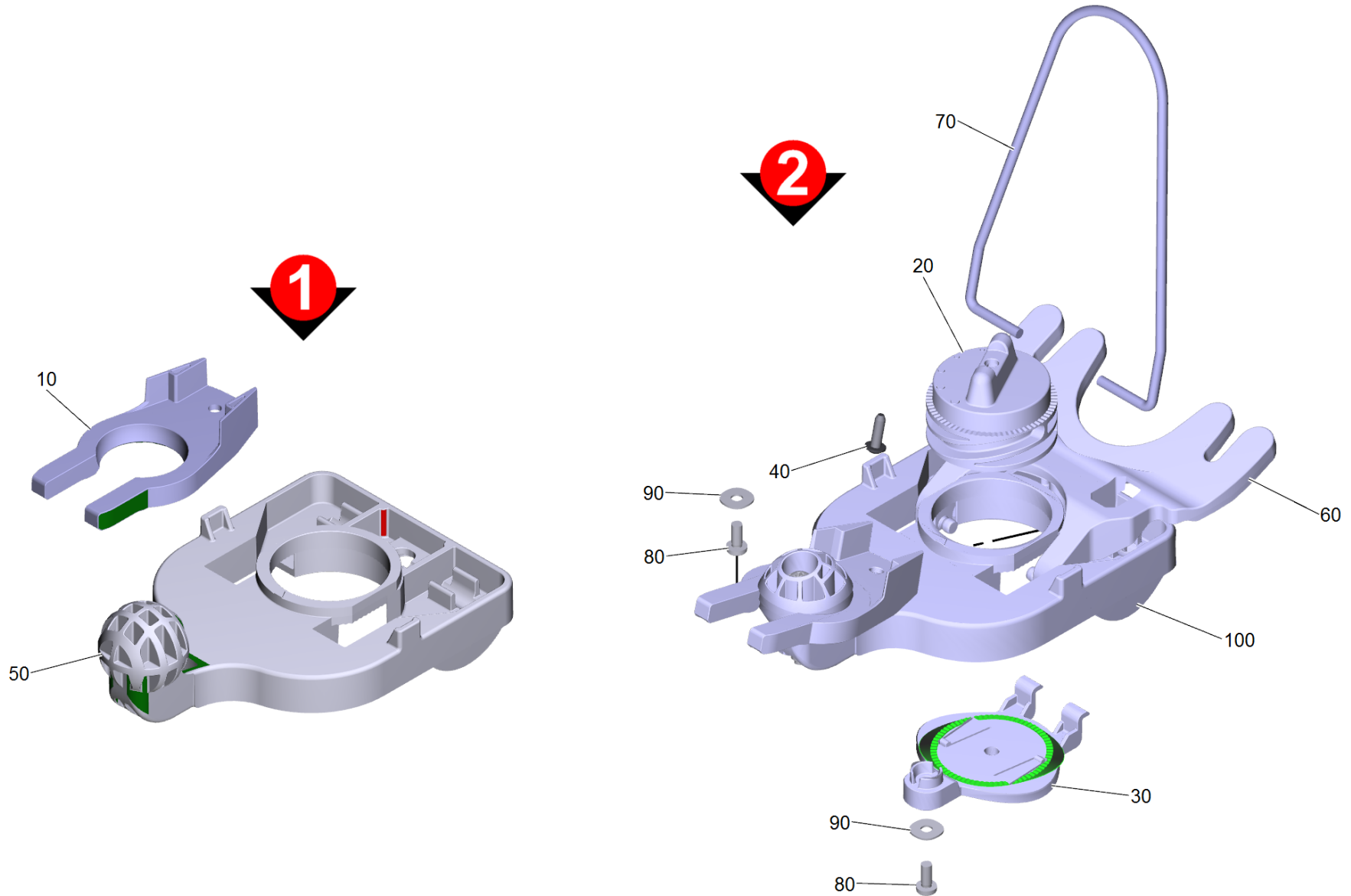
1 Tachograph set Ep (4.035-475.0)

POS	Article no.	Description	Quantity	Unit	Foot note text
45	6.642-014.0	Insulating hose 13	1	m	TO ORDER AS CUT GOODS
60	7.306-394.0	Screw M5x12 -8.8-ZNBHL ISO 14583	2	PC	
70	6.303-557.0	Screw 3x12 Kombitorx T8	2	PC	
80	6.330-441.0	Torsion spring tachograph	1	PC	
90	7.303-096.0	Screw 4x22-ST-10.9-R2R (IN6RD)	2	PC	
100	6.630-501.0	Switch	1	PC	
120	7.343-201.0	Lock washer 6-FST-PHR DIN 6799	2	PC	
130	4.035-495.0	Tachograph right complete	1	PC	
140	4.035-496.0	Tachograph left complete	1	PC	
150	6.368-196.0	Drain plug	2	PC	



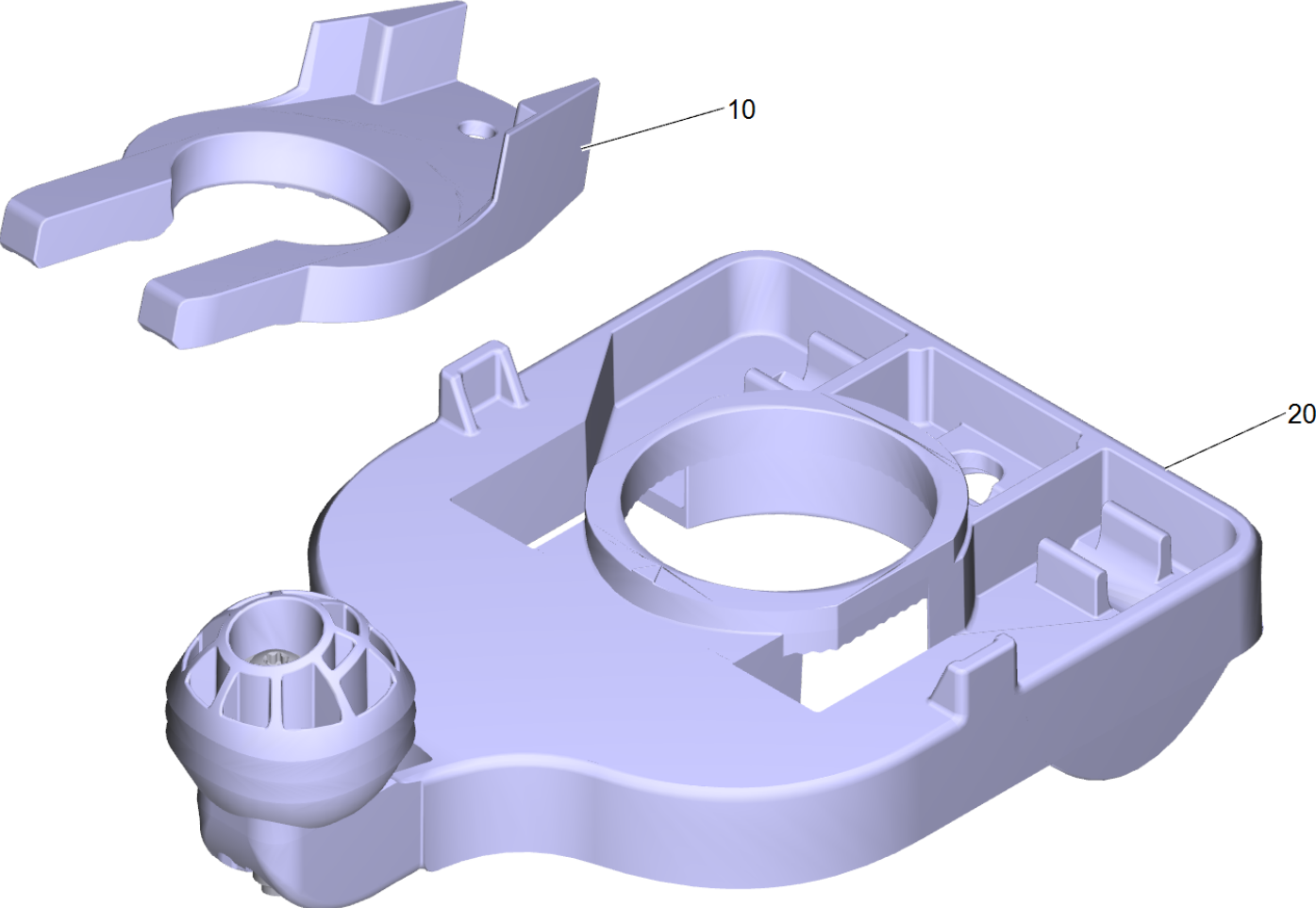
60 Electronics

POS	Article no.	Description	Quantity	Unit	Remark
1	5.035-705.0	Plate base plate electronics B40 Ep	1	PC	
2	6.633-420.0	Relay	1	PC	230 V
4	7.306-203.0	Screw M3x8 -A2-70 ISO 14853	2	PC	
5	6.682-804.0	Circuit board distributor	1	PC	
6	6.641-269.0	Tab	1	PC	
7	7.306-191.0	Screw M6x10 -A2-70 (In6Rd)	1	PC	
8	6.661-290.3	Capacitor 30mF	1	PC	230 V
9	7.306-206.0	Screw M4x10 -A2-70 ISO 14583	1	PC	
10	6.641-463.0	Cable tape	1	PC	
11	6.646-322.0	Distance holder	4	PC	
12	7.311-001.0	Hexagon nut M4 -6-A2E ISO 4032	1	PC	
13	6.643-145.0	Label earthing	1	PC	
14	7.312-165.0	Toothed lock washer A6,4-FSt-PH DIN 6797	1	PC	
15	7.311-003.0	Hexagon nut M6 -8-A2E ISO 4032	1	PC	
16	6.681-063.0	Hour counter	1	PC	
17	7.312-234.0	Serrated lock washer A3,2 -FSt-A3E DIN6	2	PC	
18	7.311-000.0	Hexagon nut M3 -6-A2E ISO 4032	2	PC	
19	4.822-728.0	Cable harness B40C/60W Ep	1	PC	230 V
20	6.645-555.0	Cable with plug B40 Ep	1	PC	
21	5.035-818.0	Cover electronics	1	PC	
22	5.035-450.0	Bearing bush electronics	2	PC	
23	7.303-102.0	Screw 3,5x12 -A2-70-bk (In6Rd)	3	PC	
24	5.035-869.0	Electric box	1	PC	
25	7.303-107.0	Screw 5x16 -10.9-P2R (K-In6Rd)	6	PC	
26	6.648-399.0	Cable gland black M16x1,5	1	PC	
27	6.648-415.0	Locknut black M16	1	PC	
28	6.661-001.0	Angle capacitor	1	PC	



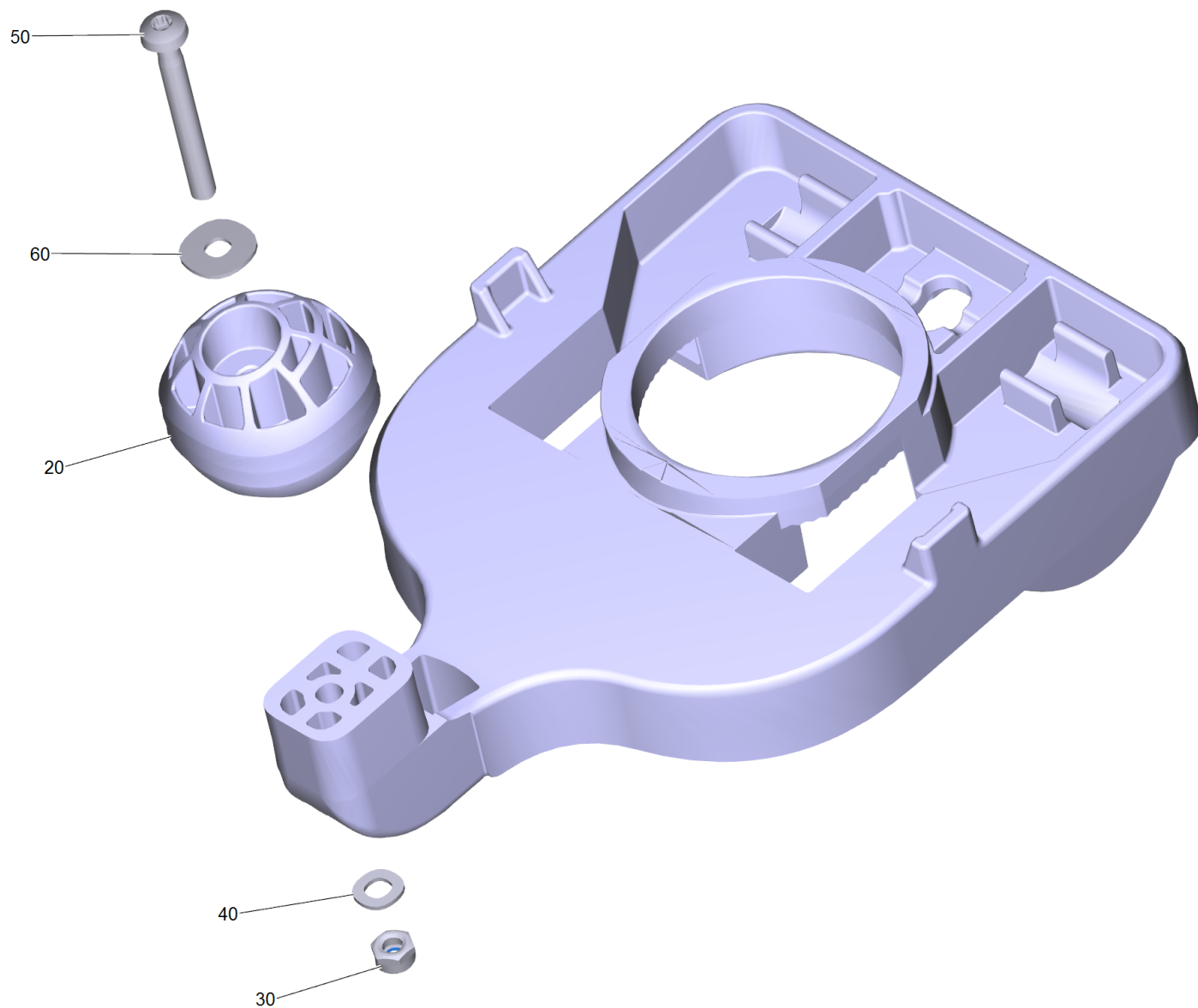
70 Suction bar lifting complete

POS	Article no.	Description	Quantity	Unit	Foot note text
10	7.777-999.0	Stockpiling discontinued	1	PC	VERSION 1
20	5.035-292.0	Adjusting knob suction bar toothing	1	PC	
30	5.035-293.0	Covering cap suction bar toothing	1	PC	
40	7.303-109.0	Screw 5x25 -10.9-R2R (In6Rd)	1	PC	
50	7.777-999.0	Stockpiling discontinued	1	PC	VERSION 1
60	5.036-103.0	Rocker suction bar	1	PC	
70	5.035-382.0	Retaining bracket suction bar	1	PC	
80	6.306-003.0	Screw M5X12-A2/70-ISO 14583 (IN6RD)	2	PC	with microencapsulation
90	7.312-282.0	Washer 5 -A2 ISO 7093-1	2	PC	
100	4.035-583.0	Holder suction bar complete	1	PC	VERSION 2



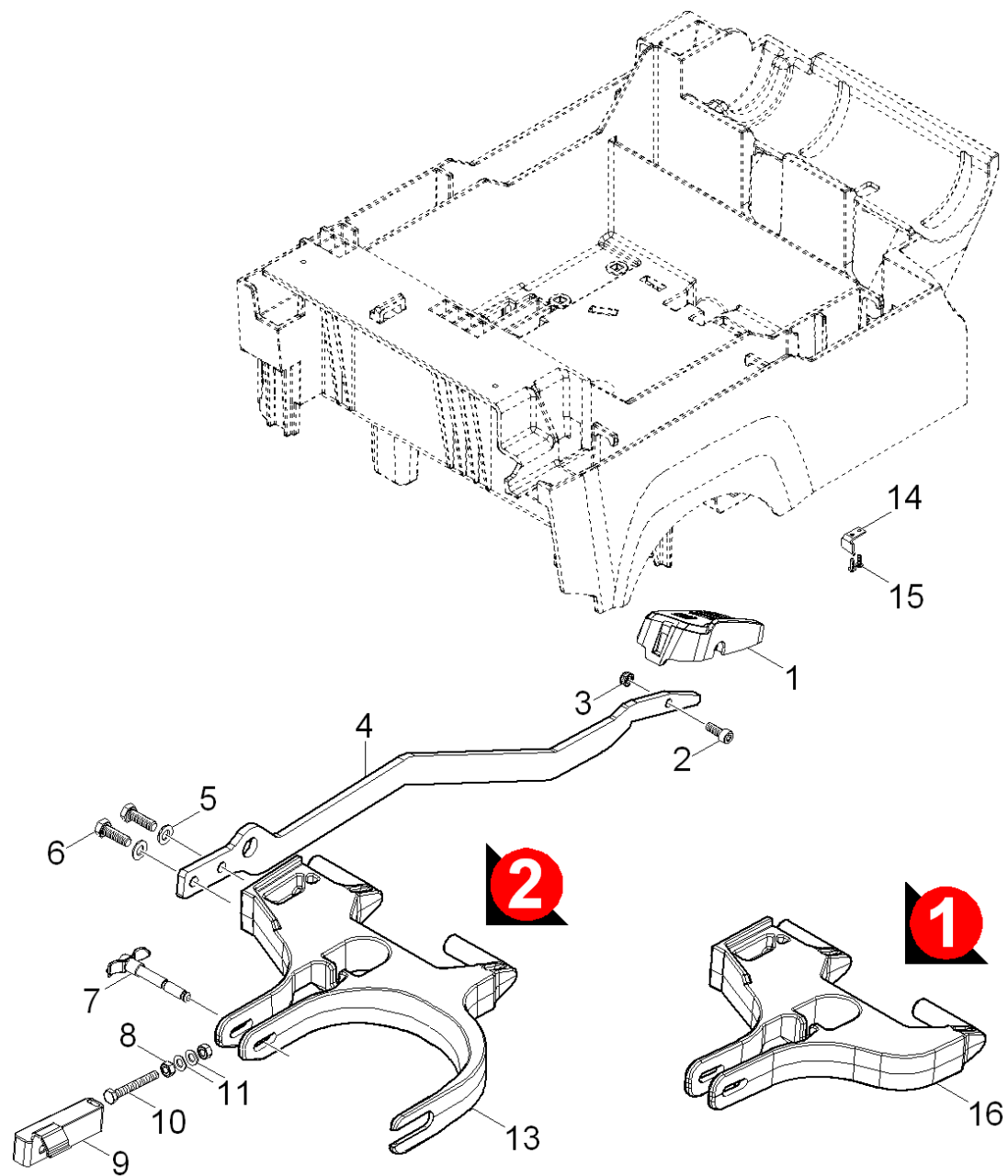
100 Holder suction bar complete (4.035-583.0)

POS	Article no.	Description	Quantity	Unit
10	5.005-005.0	FIXING PLATE SUCTION BAR ALU	1	PC
20	4.037-137.3	Holder suction bar	1	PC



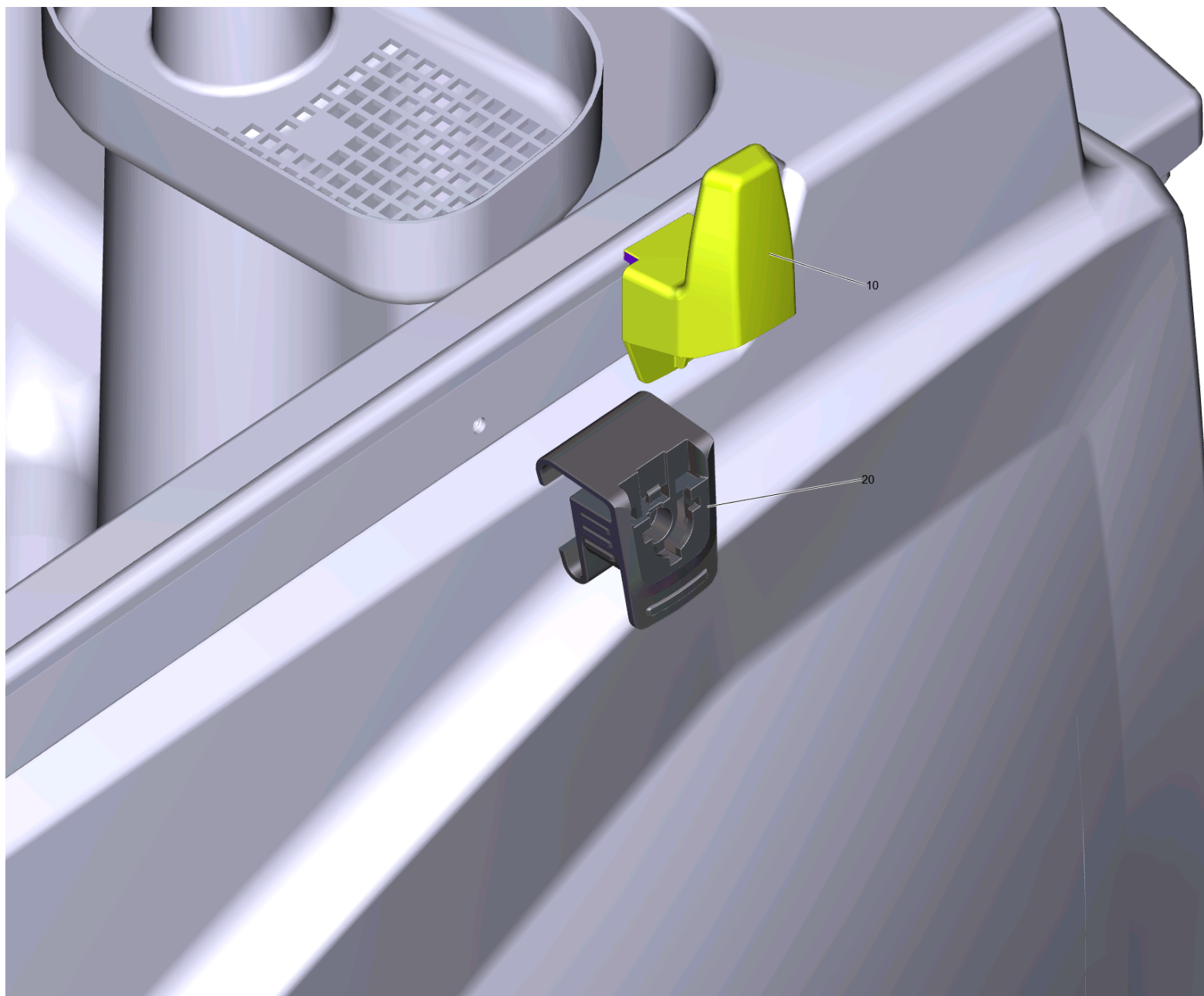
20 Holder suction bar (4.037-137.3)

POS	Article no.	Description	Quantity	Unit
20	5.037-579.0	Sphere suction bar suspension	1	PC
30	7.311-431.0	Hexagon nut M 5-1.4305 DIN 985	1	PC
40	7.312-052.0	Washer 5 -A2 ISO 7089	1	PC
50	7.306-215.0	Screw M5x45 -8.8-P2R (In6Rd)	1	PC
60	7.312-282.0	Washer 5 -A2 ISO 7093-1	1	PC



80 Suspension power brush

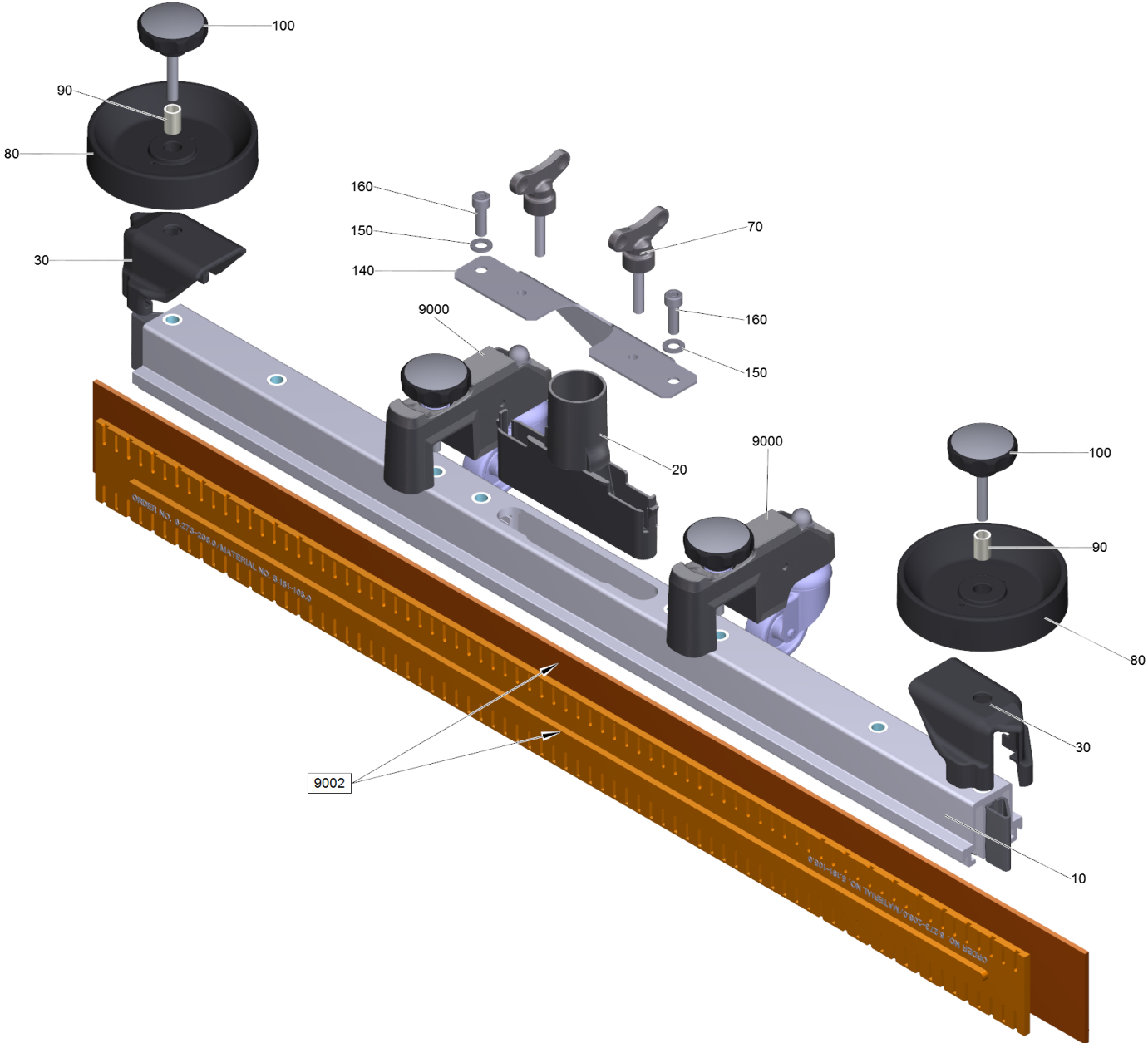
POS	Article no.	Description	Quantity	Unit	Foot note text
1	5.035-374.0	Pedal brush-head	1	PC	
2	7.306-041.0	Cylinder head screw M8x20 -8.8-A2E ISO	1	PC	
3	7.311-514.0	Hexagon nut M 8-A2-70 ISO 7040	1	PC	
4	5.035-370.0	Lever plate brush-head	1	PC	
5	7.312-005.0	Washer 10-200HV-A3E ISO 7089	2	PC	
6	7.304-417.0	Hexagonal head screw M10x30-8.8-A3E ISO	2	PC	
7	5.035-865.0	Handhold bolt brush-head	1	PC	
8	7.311-068.0	Hexagon nut M 8-A2-70 ISO 4032	2	PC	
9	5.035-377.0	Adjusting element brush-head	1	PC	
10	7.304-262.0	Hexagonal head screw M8x60-A4-70 ISO 40	1	PC	
11	7.312-004.0	Washer 8 -200HV-A3E ISO 7089	2	PC	
13	5.035-675.0	Suspension brush-head triple	1	PC	VERSION 2
14	5.035-361.0	Sheet metal component	1	PC	
15	7.303-113.0	Screw 6x25 -10.9-R2R (In6Rd)	2	PC	
16	2.882-733.0	Conversion kit suspension brush-head B40	1	PC	VERSION 1



9000 Set universal hook (4.070-075.0)

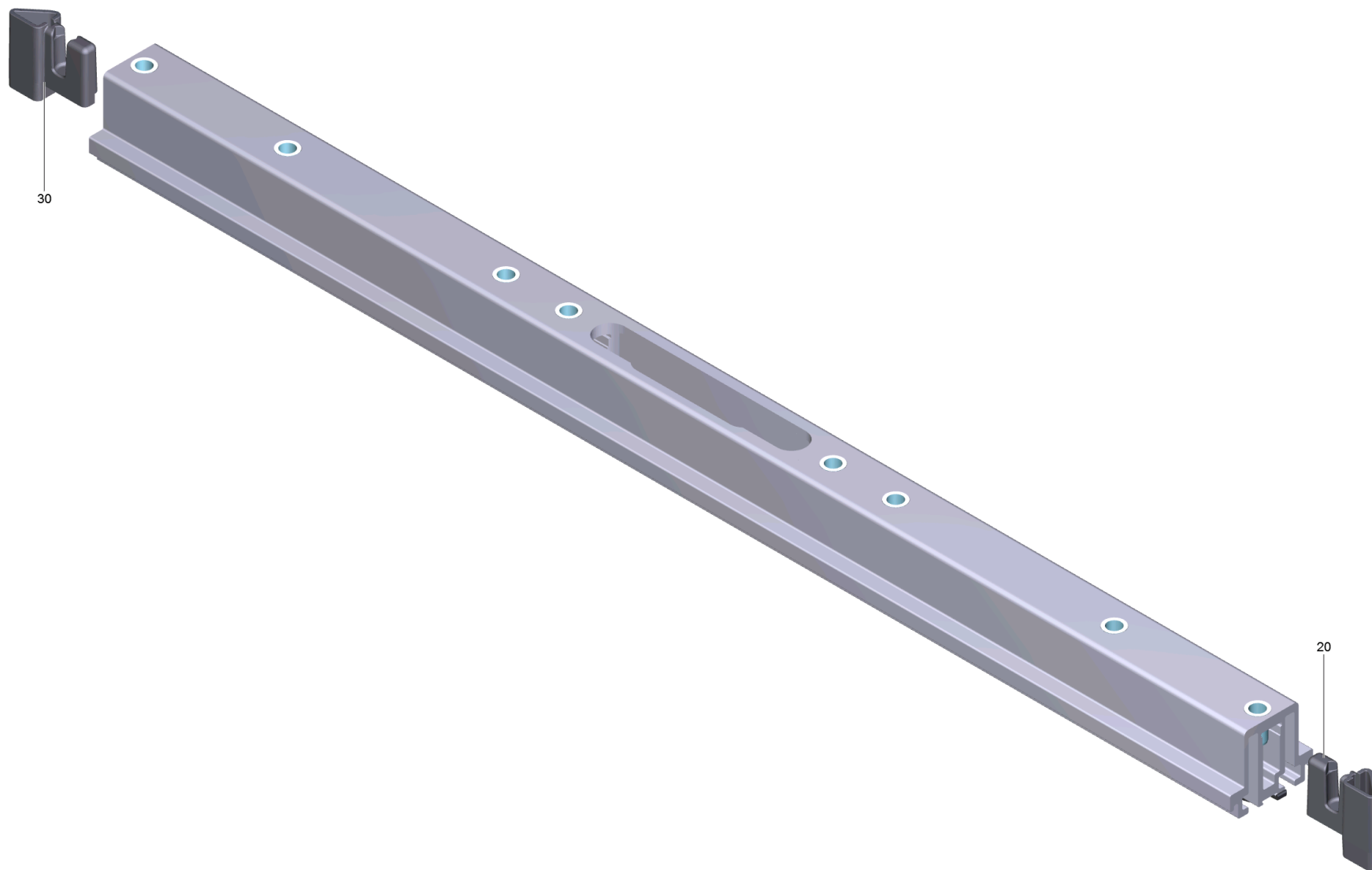
POS	Article no.	Description	Quantity	Unit
10	5.037-360.0	Hook Puzzi Home Base	1	PC
20	5.035-488.0	Adapter Homebase	1	PC

9001 Suction bar straight 850mm (4.777-406.0)



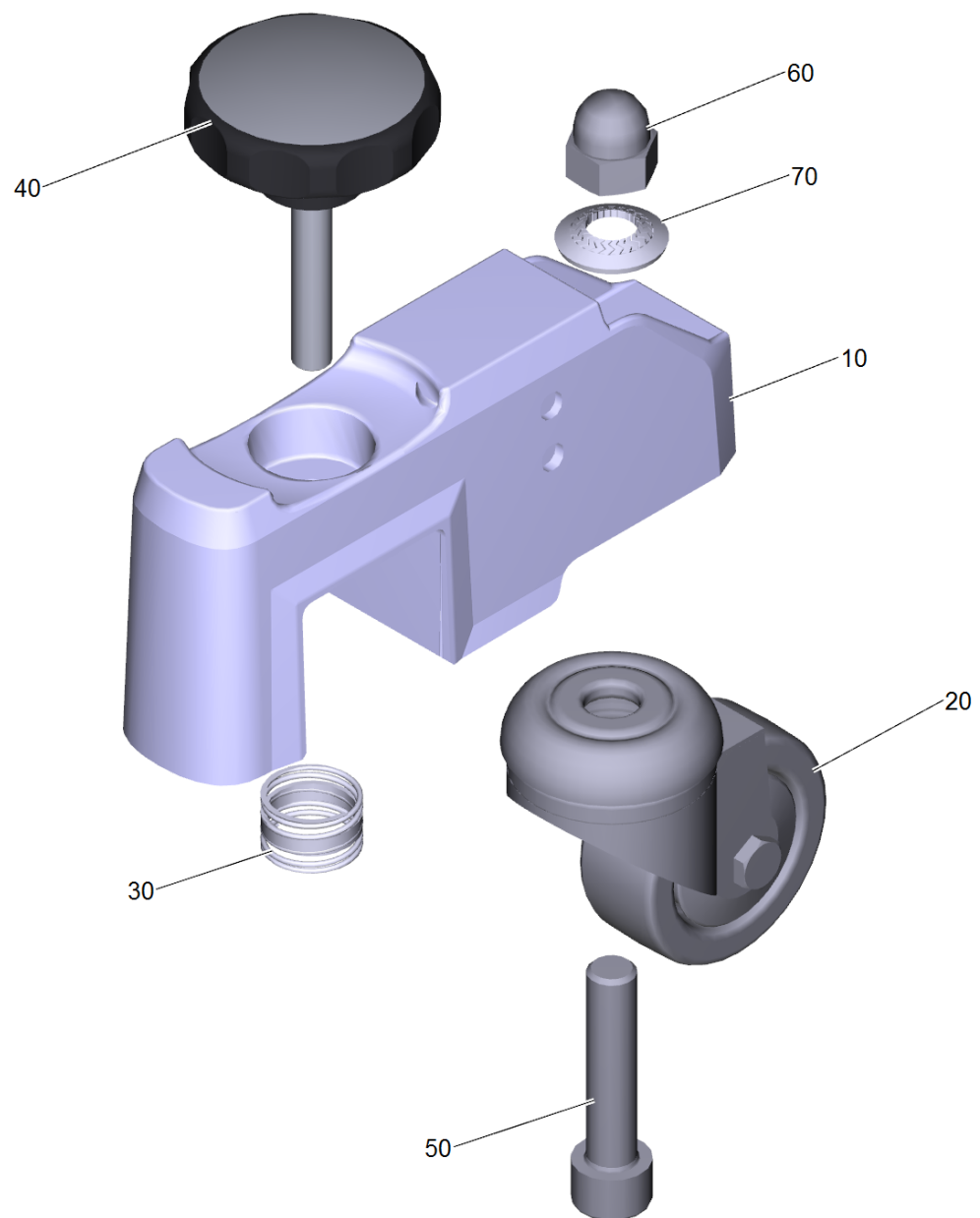
9001 Suction bar straight 850mm (4.777-406.0)

POS	Article no.	Description	Quantity	Unit	Foot note text
10	4.035-301.0	Suction bar pre-assembled straight 850mm	1	PC	
20	5.033-601.0	Suction nipple	1	PC	
30	2.885-294.0	End piece left / right spare parts set	1	PC	
70	5.305-008.0	Wing screw M8x30 VA	2	PC	
80	5.515-346.0	Deflector roll suction bar D120	2	PC	
90	5.094-231.0	Sleeve suction bar in VA	2	PC	
100	6.321-239.0	Star grip VA Ø50x43	2	PC	
140	5.100-559.0	Suction bar support plate	1	PC	
150	7.312-017.0	Washer 8-A2 ISO 7089	1	PC	
160	7.306-142.0	Cylinder head screw M 8x25-A4-70 ISO 47	1	PC	
9000	4.035-281.0	Conversion kit support roller deep	2	PC	ORDER QTY. 2
9002	6.273-207.0	Rubber lip set oil resistant BR-BD530,55	1	ZSA	
9002	6.273-213.0	Rubber lip set standard	1	ZSA	
9002	6.273-229.0	Rubber lip set anti stripe oil resistant	1	PC	
9002	6.273-290.0	BLADES FOR TEXTURED FLOORS	1	PC	
9500	4.035-619.0	Set deflector roll stack formation SB	2	PC	



10 Suction bar pre-assembled straight 850mm (4.035-301.0)

POS	Article no.	Description	Quantity	Unit
20	5.033-578.0	End piece inside left	1	PC
30	5.033-579.0	End piece inside right	1	PC

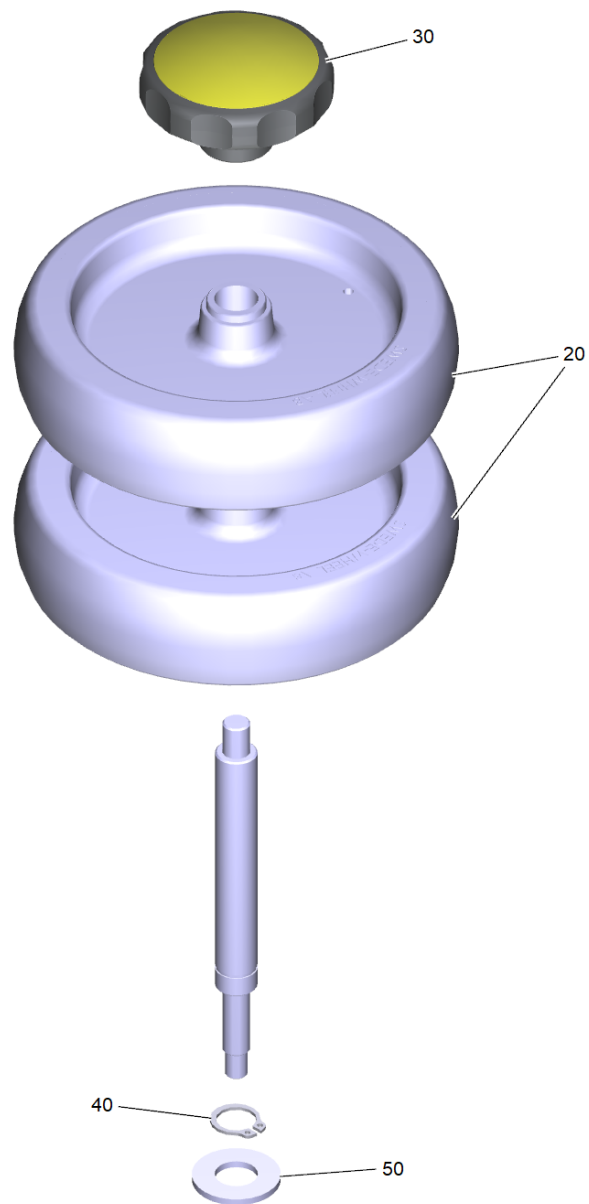


9000 Conversion kit support roller deep (4.035-281.0)

POS	Article no.	Description	Quantity	Unit
10	5.101-626.0	Housing with additional weight	1	PC
20	6.435-179.0	Castor for thread deflector	1	PC
30	5.332-554.0	Pressure spring	1	PC
40	6.321-240.0	Star grip with inscription VA Ø50x43	1	PC
50	7.306-068.0	Cylinder head screw M10x45-8.8-A2K DIN 912	1	PC
60	7.311-382.0	Cap nut M10-6-A3E DIN 1587	1	PC
70	6.996-526.0	Serrated locking washer d.10	1	PC

9002 BLADES FOR TEXTURED FLOORS (6.273-290.0)

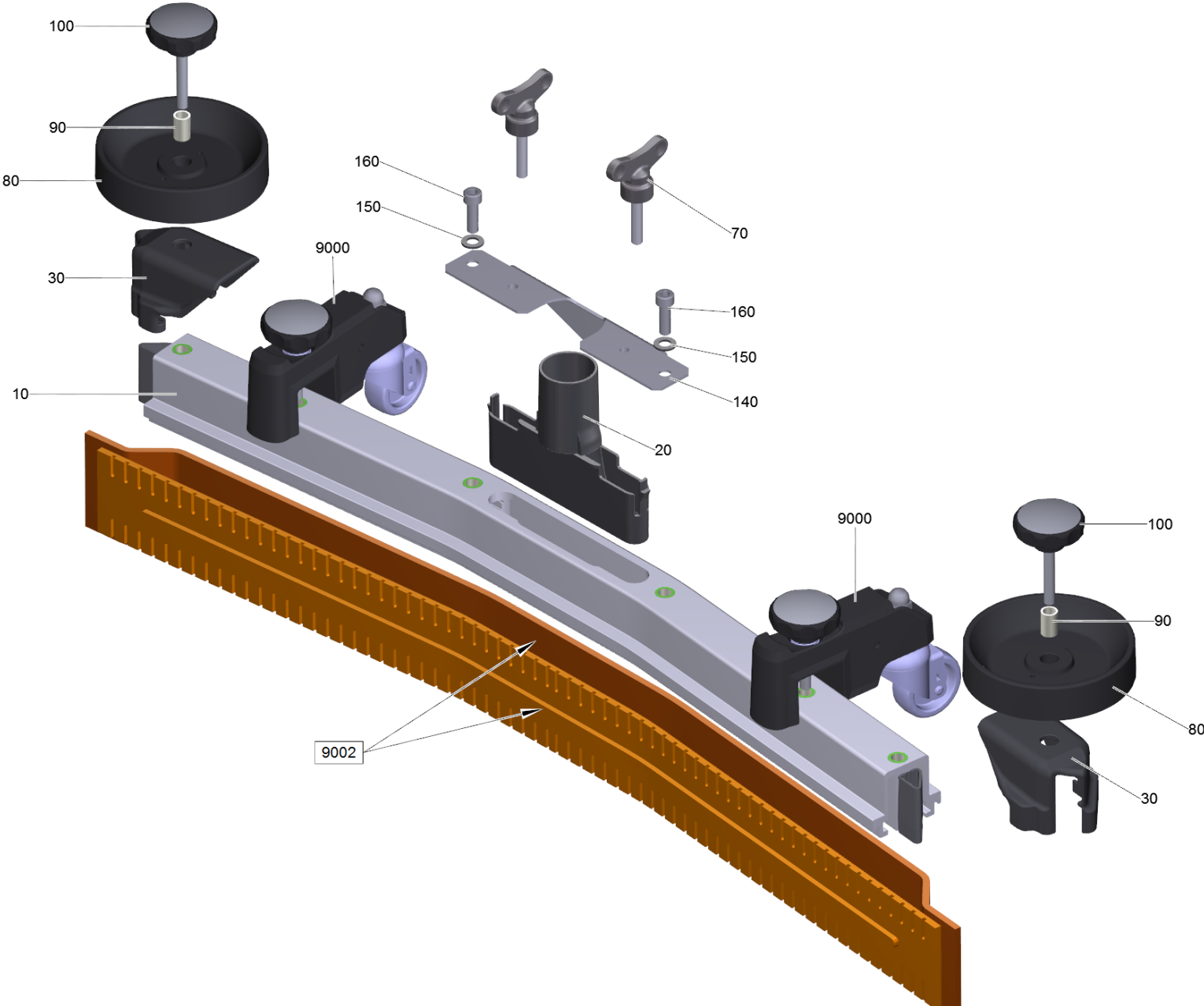
POS	Article no.	Description	Quantity	Unit
20	6.273-229.0	Rubber lip set anti stripe oil resistant	1	PC



9500 Set deflector roll stack formation SB (4.035-619.0)

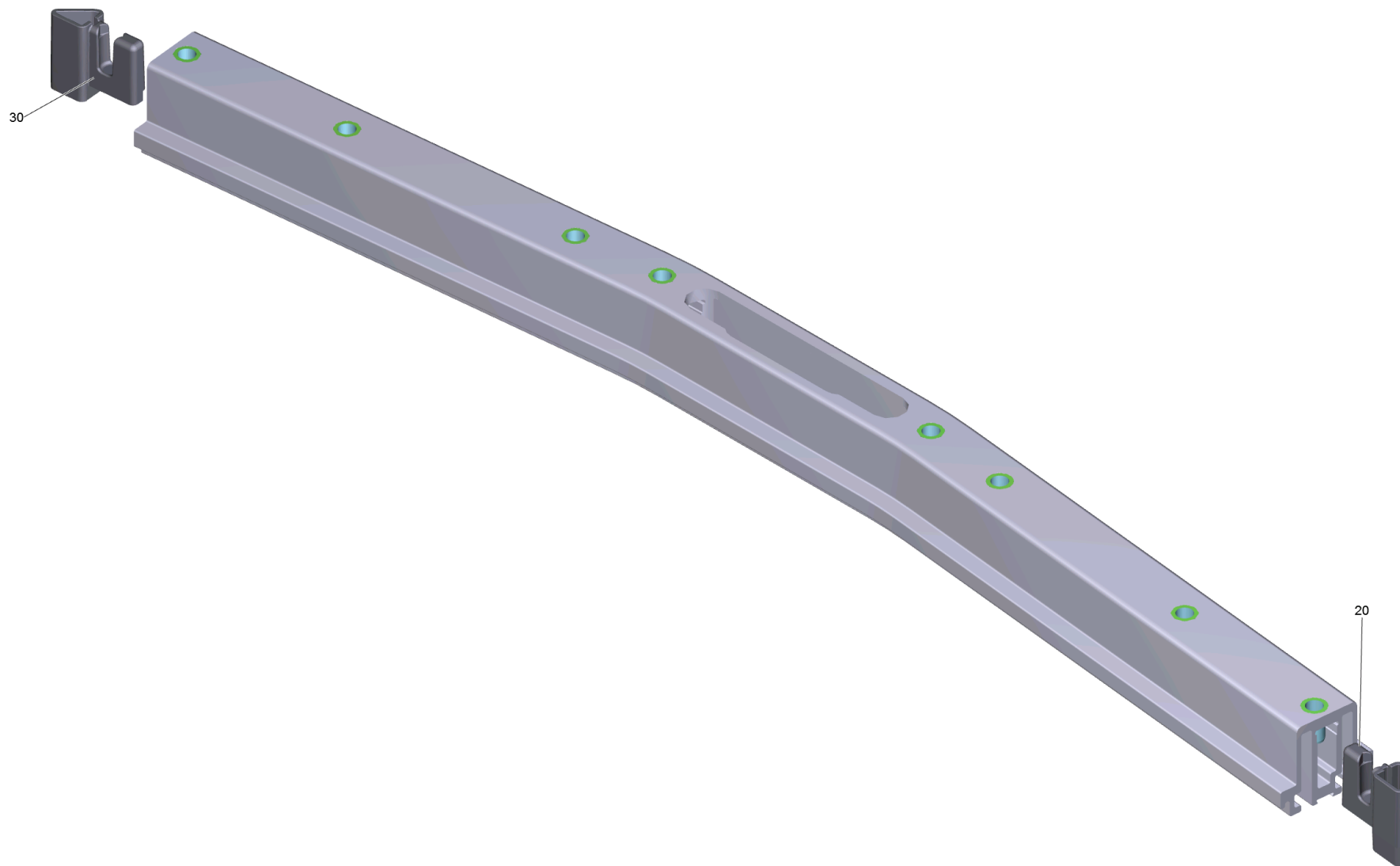
POS	Article no.	Description	Quantity	Unit
20	5.515-346.0	Deflector roll suction bar D120	2	PC
30	6.321-224.0	Turning knob grey D55mm	1	PC
40	7.343-083.0	Locking ring 12x1 -FSt DIN 471	1	PC
50	5.115-628.0	Washer	1	PC

9002 Suction bar curved 850mm (4.777-416.0)



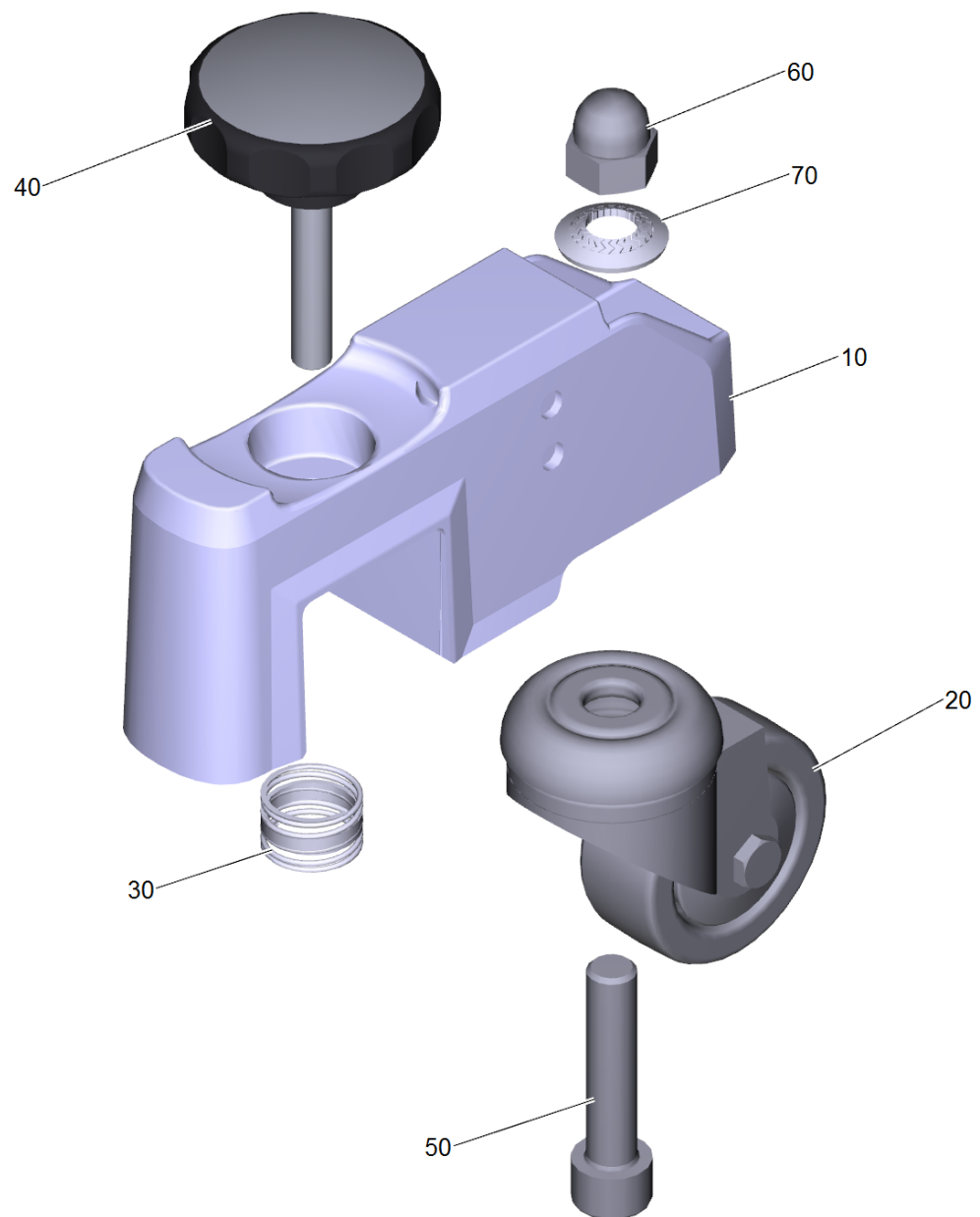
9002 Suction bar curved 850mm (4.777-416.0)

POS	Article no.	Description	Quantity	Unit	Foot note text
10	4.035-311.0	Suction bar pre-assembled curved 850mm	1	PC	
20	5.033-601.0	Suction nipple	1	PC	
30	2.885-294.0	End piece left / right spare parts set	1	PC	
70	5.305-008.0	Wing screw M8x30 VA	2	PC	
80	5.515-267.0	Deflector roll	2	PC	
90	5.094-231.0	Sleeve suction bar in VA	2	PC	
100	6.321-239.0	Star grip VA Ø50x43	2	PC	
130	5.007-217.0	Plate	1	PC	
140	5.100-559.0	Suction bar support plate	1	PC	
150	7.312-017.0	Washer 8-A2 ISO 7089	1	PC	
160	7.306-142.0	Cylinder head screw M 8x25-A4-70 ISO 47	1	PC	
9000	4.035-281.0	Conversion kit support roller deep	2	PC	ORDER QTY. 2
9002	6.273-207.0	Rubber lip set oil resistant BR-BD530,55	1	ZSA	OIL RESISTANT
9002	6.273-213.0	Rubber lip set standard	1	ZSA	STANDARD
9002	6.273-229.0	Rubber lip set anti stripe oil resistant	1	PC	ANTI-STRIP, OIL RESISTANT
9002	6.273-290.0	BLADES FOR TEXTURED FLOORS	1	PC	CLOSED, OIL RESISTANT



10 Suction bar pre-assembled curved 850mm (4.035-311.0)

POS	Article no.	Description	Quantity	Unit
20	5.033-578.0	End piece inside left	1	PC
30	5.033-579.0	End piece inside right	1	PC



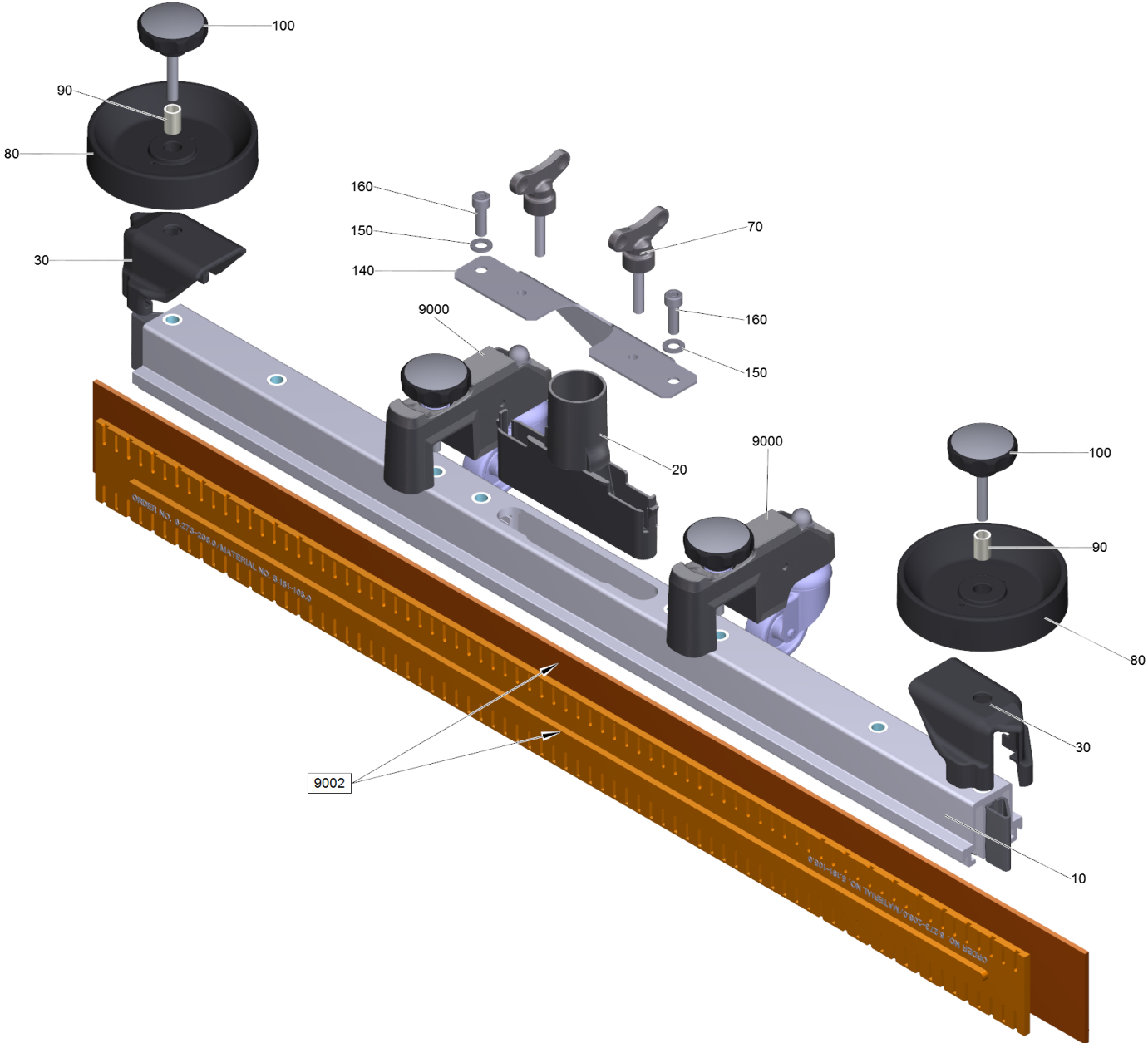
9000 Conversion kit support roller deep (4.035-281.0)

POS	Article no.	Description	Quantity	Unit
10	5.101-626.0	Housing with additional weight	1	PC
20	6.435-179.0	Castor for thread deflector	1	PC
30	5.332-554.0	Pressure spring	1	PC
40	6.321-240.0	Star grip with inscription VA Ø50x43	1	PC
50	7.306-068.0	Cylinder head screw M10x45-8.8-A2K DIN 912	1	PC
60	7.311-382.0	Cap nut M10-6-A3E DIN 1587	1	PC
70	6.996-526.0	Serrated locking washer d.10	1	PC

9002 BLADES FOR TEXTURED FLOORS (6.273-290.0)

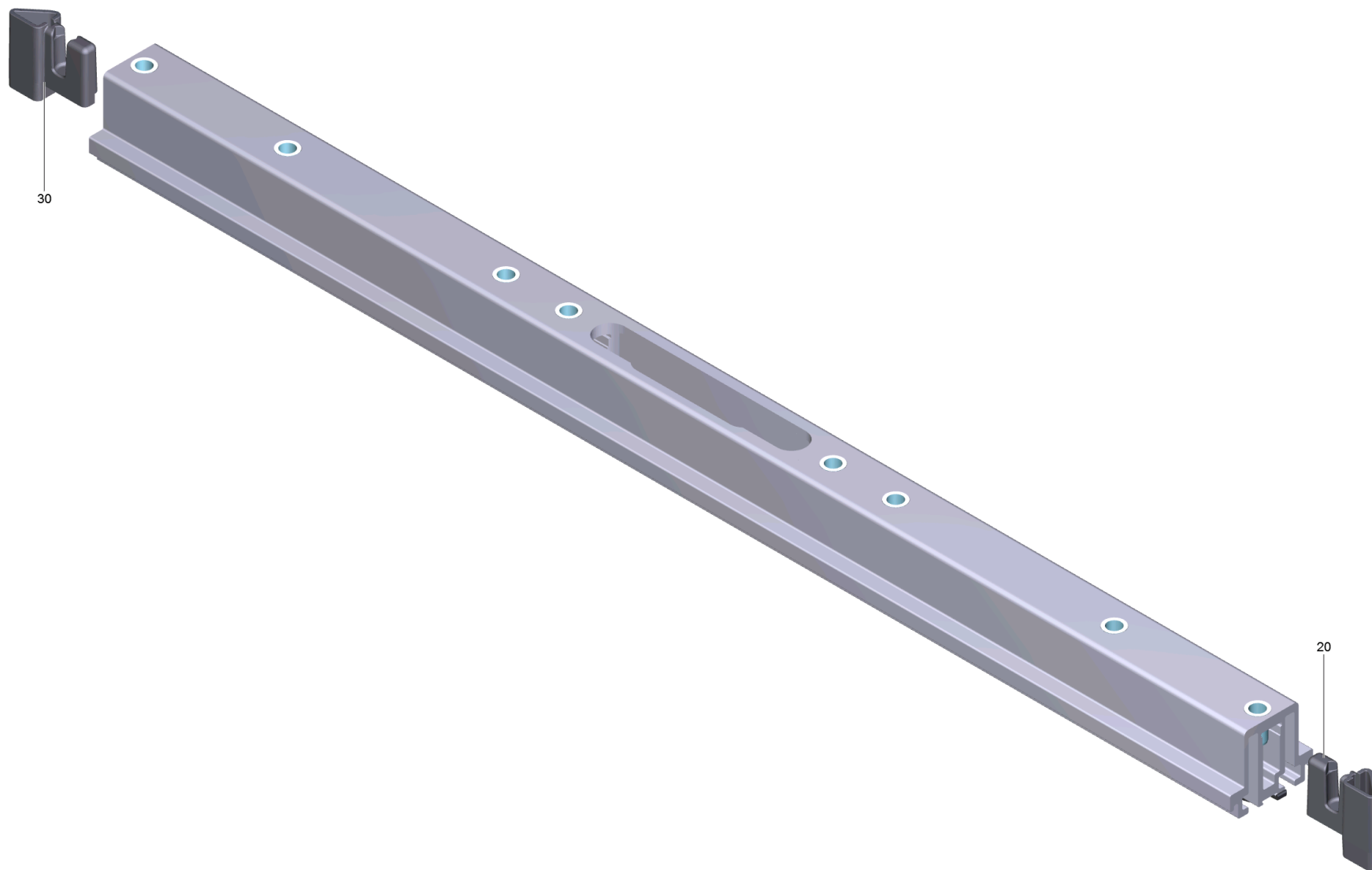
POS	Article no.	Description	Quantity	Unit
20	6.273-229.0	Rubber lip set anti stripe oil resistant	1	PC

9003 Suction bar straight 850mm (4.777-401.0)



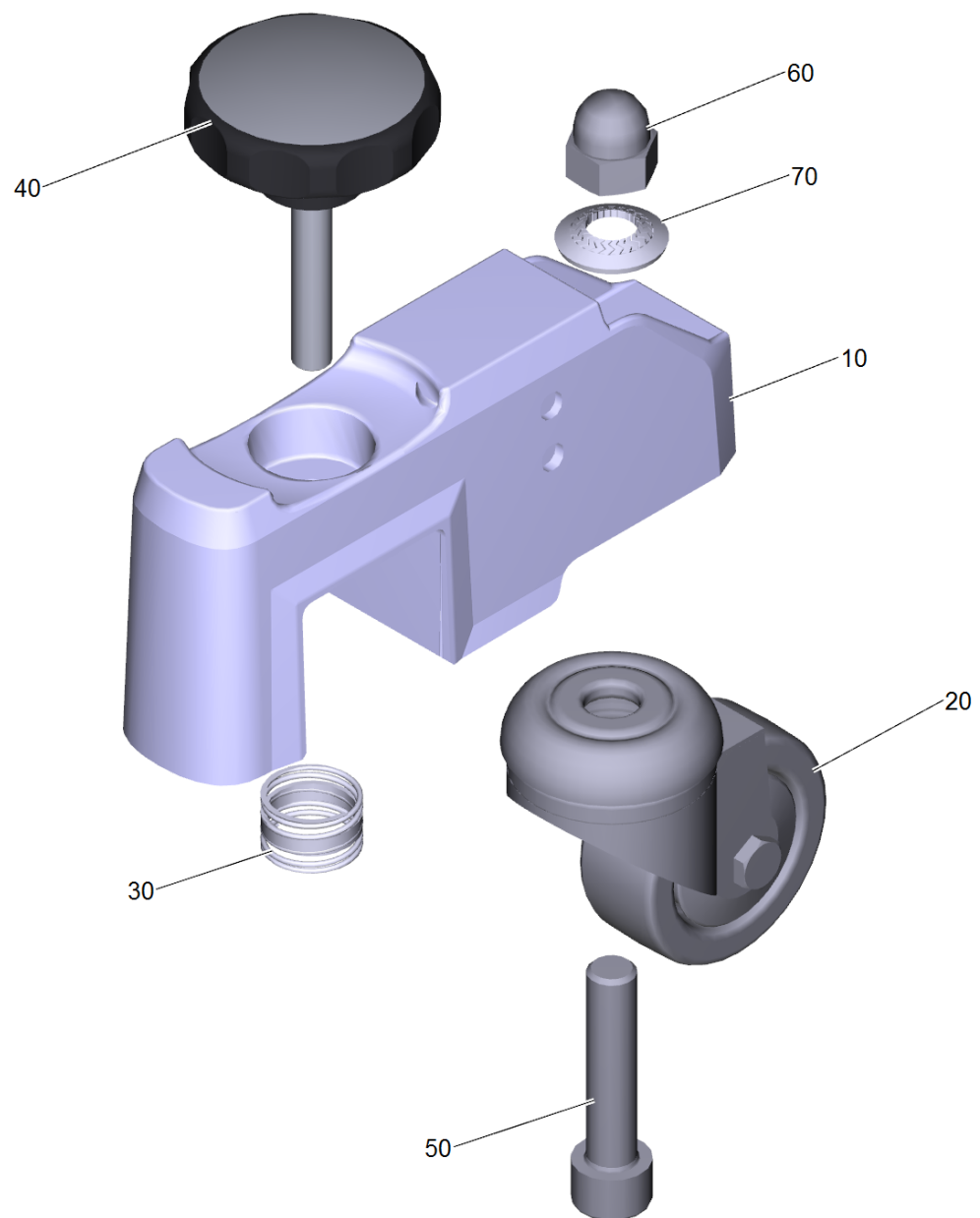
9003 Suction bar straight 850mm (4.777-401.0)

POS	Article no.	Description	Quantity	Unit	Remark	Foot note text
10	4.035-301.0	Suction bar pre-assembled straight 850mm	1	PC		
20	5.033-601.0	Suction nipple	1	PC		
30	2.885-294.0	End piece left / right spare parts set	1	PC		
70	5.305-008.0	Wing screw M8x30 VA	2	PC		
80	5.515-346.0	Deflector roll suction bar D120	2	PC		
90	5.094-231.0	Sleeve suction bar in VA	2	PC		
100	6.321-243.0	Star grip stainless steel D50x48	2	PC		
140	5.100-559.0	Suction bar support plate	1	PC		
150	7.312-017.0	Washer 8-A2 ISO 7089	2	PC		
160	7.306-142.0	Cylinder head screw M 8x25-A4-70 ISO 47	2	PC		
9000	4.035-281.0	Conversion kit support roller deep	2	PC	VERSION 2	ORDER QTY. 2
9000	4.035-339.0	Roller suction bar	2	PC	VERSION 1	
9002	6.273-207.0	Rubber lip set oil resistant BR-BD530,55	1	ZSA		
9002	6.273-213.0	Rubber lip set standard	1	ZSA		STANDARD
9002	6.273-229.0	Rubber lip set anti stripe oil resistant	1	PC		
9002	6.273-290.0	BLADES FOR TEXTURED FLOORS	1	PC		
9500	4.035-619.0	Set deflector roll stack formation SB	2	PC		



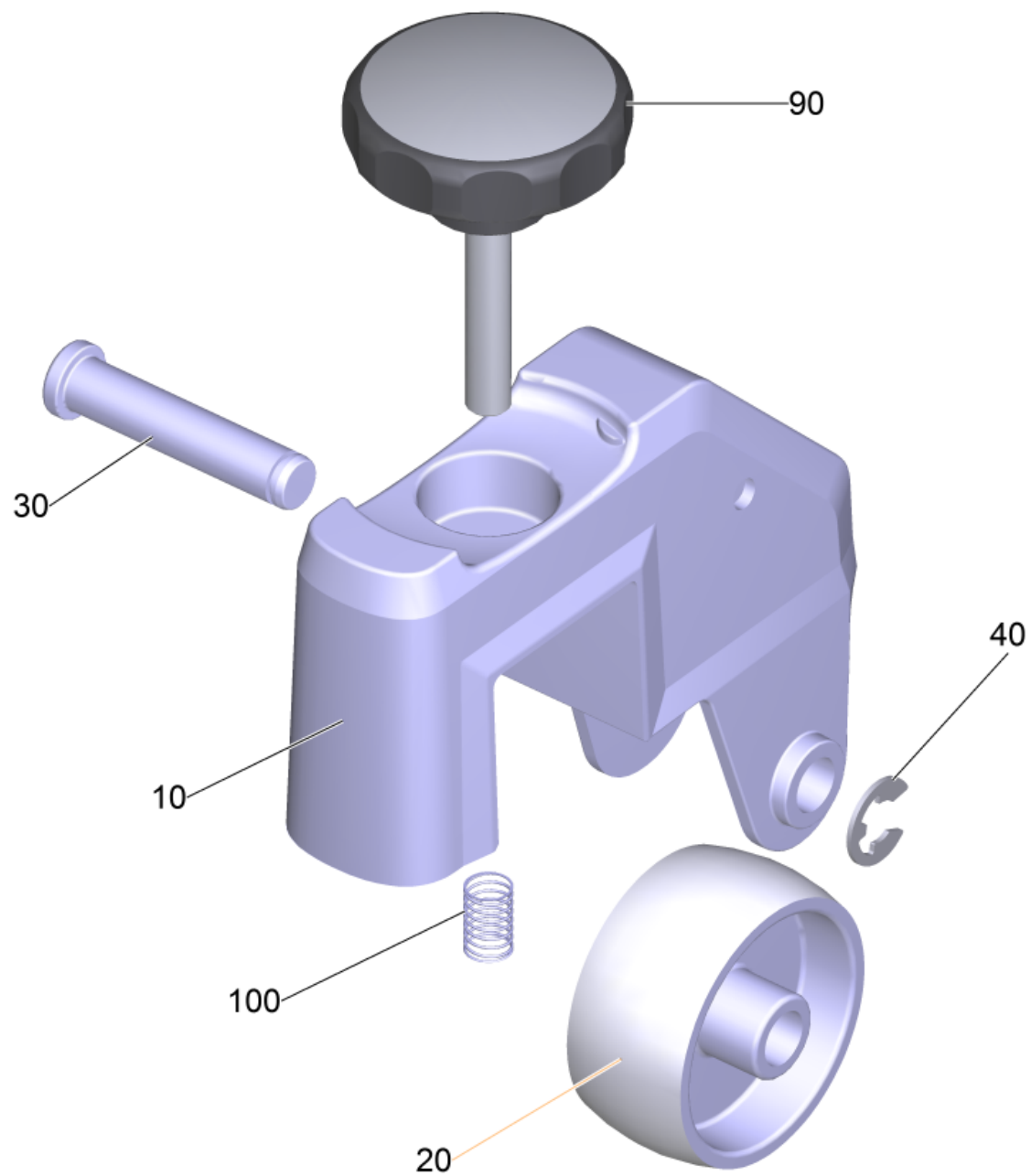
10 Suction bar pre-assembled straight 850mm (4.035-301.0)

POS	Article no.	Description	Quantity	Unit
20	5.033-578.0	End piece inside left	1	PC
30	5.033-579.0	End piece inside right	1	PC



9000 Conversion kit support roller deep (4.035-281.0)

POS	Article no.	Description	Quantity	Unit
10	5.101-626.0	Housing with additional weight	1	PC
20	6.435-179.0	Castor for thread deflector	1	PC
30	5.332-554.0	Pressure spring	1	PC
40	6.321-240.0	Star grip with inscription VA Ø50x43	1	PC
50	7.306-068.0	Cylinder head screw M10x45-8.8-A2K DIN 912	1	PC
60	7.311-382.0	Cap nut M10-6-A3E DIN 1587	1	PC
70	6.996-526.0	Serrated locking washer d.10	1	PC

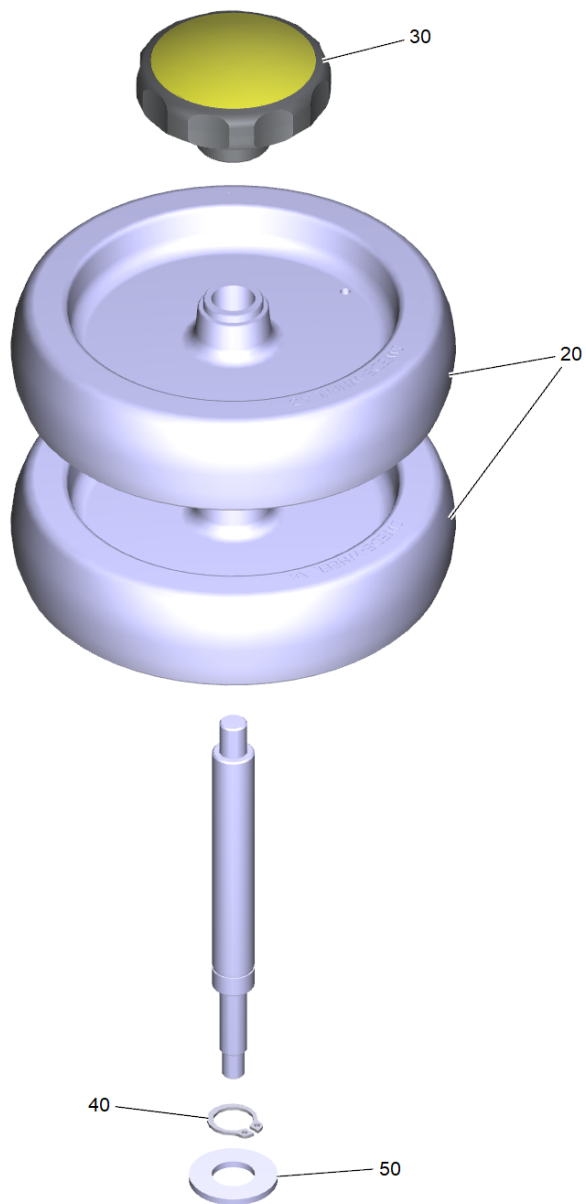


9000 Roller suction bar (4.035-339.0)

POS	Article no.	Description	Quantity	Unit
10	5.101-139.0	Roller holder weight	1	PC
20	6.435-401.0	Wheel D54	1	PC
30	5.317-781.0	Bolt roller	1	PC
40	7.343-303.0	Locking ring 8-A2 DIN 6799	1	PC
90	6.321-240.0	Star grip with inscription VA Ø50x43	1	PC
100	5.332-504.0	Pressure spring	1	PC

9002 BLADES FOR TEXTURED FLOORS (6.273-290.0)

POS	Article no.	Description	Quantity	Unit
20	6.273-229.0	Rubber lip set anti stripe oil resistant	1	PC



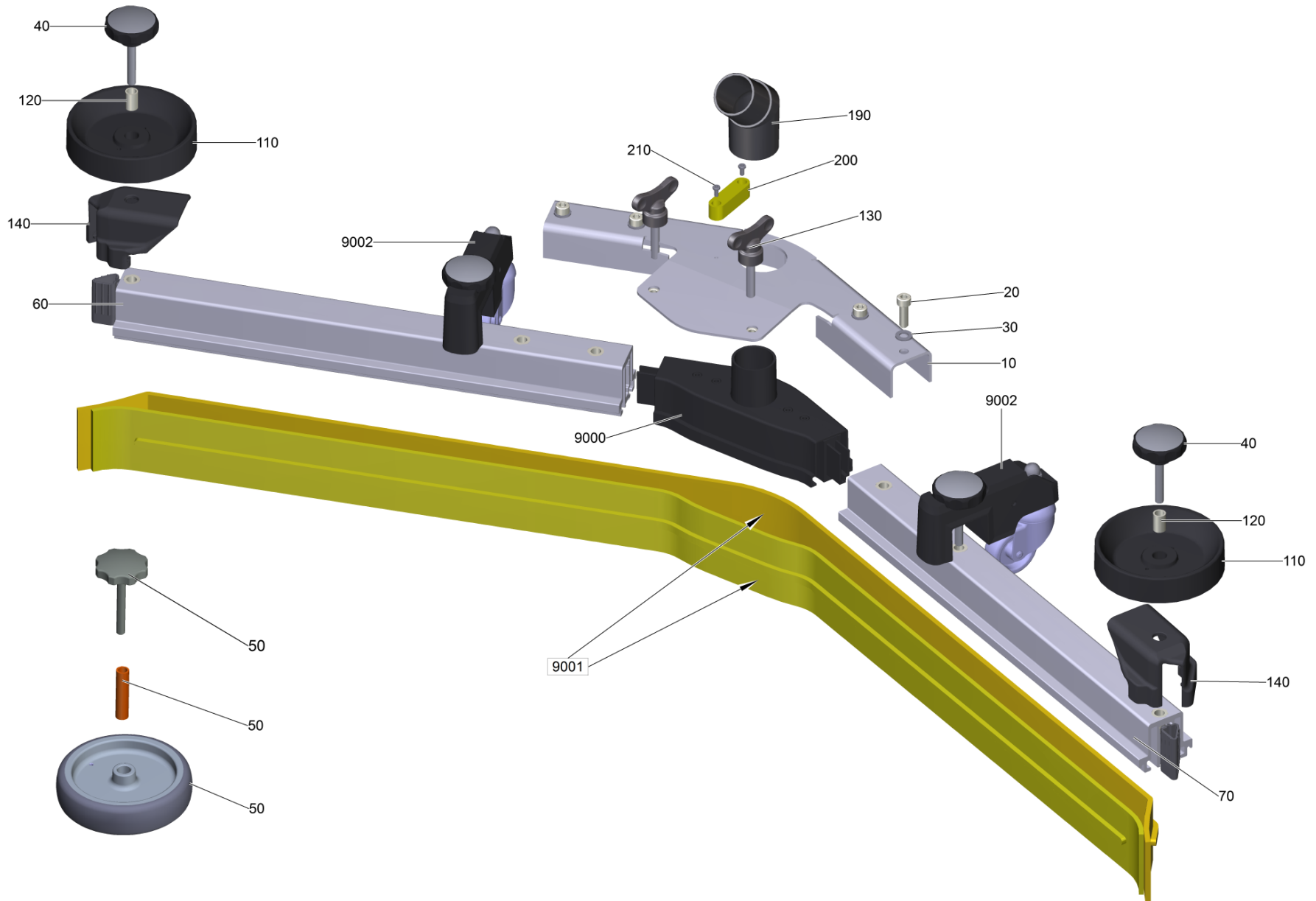
9500 Set deflector roll stack formation SB (4.035-619.0)

POS	Article no.	Description	Quantity	Unit
20	5.515-346.0	Deflector roll suction bar D120	2	PC
30	6.321-224.0	Turning knob grey D55mm	1	PC
40	7.343-083.0	Locking ring 12x1 -FSt DIN 471	1	PC
50	5.115-628.0	Washer	1	PC

9004 Suction bar v-shaped 900mm (4.777-079.0)

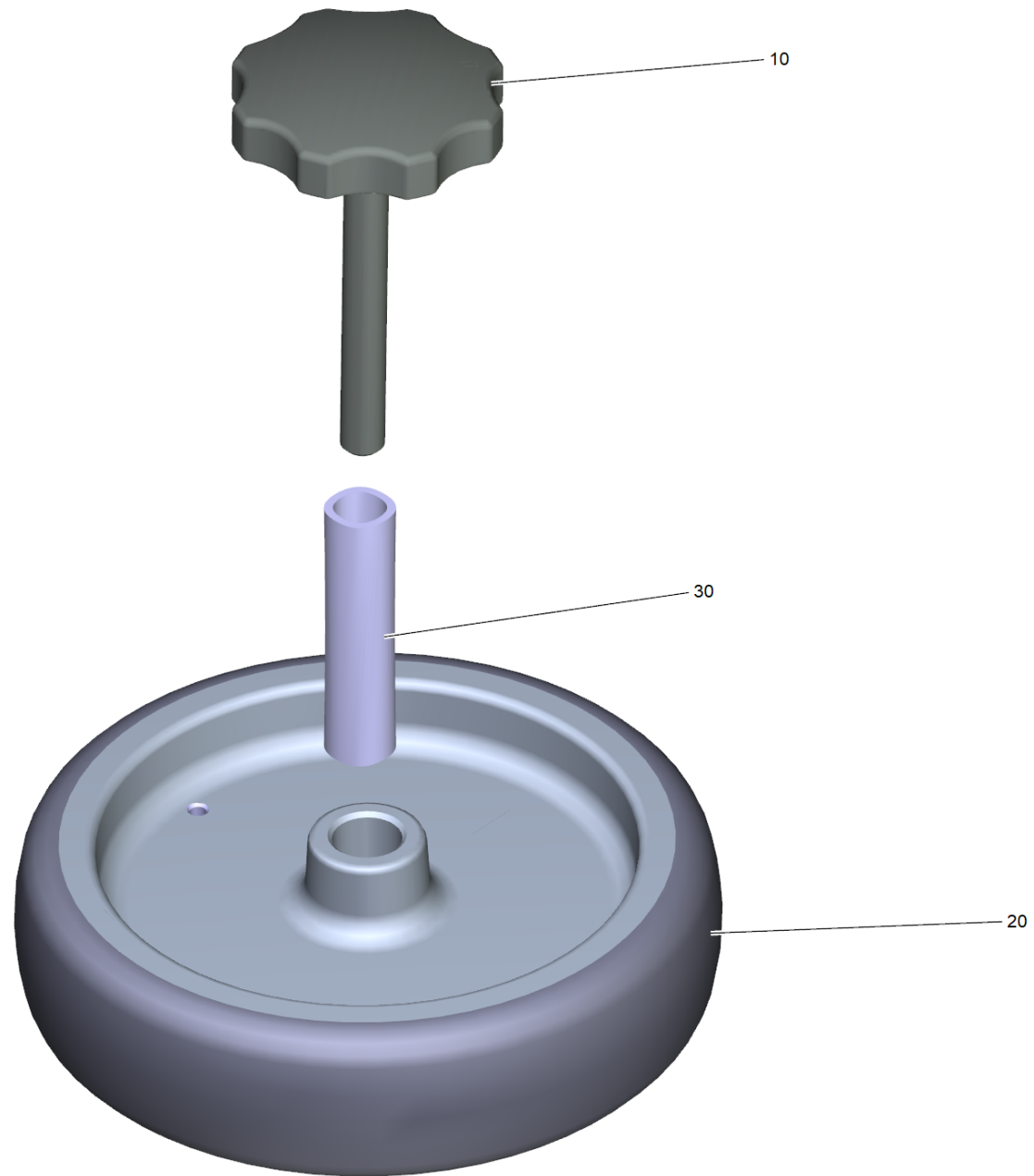
POS	Article no.	Description	Quantity	Unit
10	4.777-079.7	Suction bar v-shaped 900 mm	1	PC

10 Suction bar v-shaped 900 mm (4.777-079.7)



10 Suction bar v-shaped 900 mm (4.777-079.7)

POS	Article no.	Description	Quantity	Unit	Foot note text
10	4.044-003.0	Holder complete V-profile	1	PC	
20	7.306-142.0	Cylinder head screw M 8x25-A4-70 ISO 47	4	PC	
30	7.312-017.0	Washer 8-A2 ISO 7089	4	PC	
40	6.321-243.0	Star grip stainless steel D50x48	2	PC	VERSION 1
50	4.435-005.0	Deflector roll suction bar complete	1	PC	VERSION 2
60	4.035-162.0	Profile pre-assembled right AB 900 mm	1	PC	
70	4.035-163.0	Profile pre-assembled left AB 900 mm	1	PC	
110	5.515-346.0	Deflector roll suction bar D120	2	PC	VERSION 1
120	5.094-231.0	Sleeve suction bar in VA	2	PC	VERSION 1
130	5.305-008.0	Wing screw M8x30 VA	2	PC	
140	2.885-294.0	End piece left / right spare parts set	1	PC	
190	5.034-056.0	Angle adapter pipe	1	PC	
200	6.803-071.0	Level	1	PC	
210	7.305-019.0	Countersunk screw M4x16 -8.8-R2R (In6Rd	2	PC	
210	7.306-056.0	Screw M4x8 -8.8-R2R (In6Rd)	2	PC	
9000	4.034-007.0	Suction nipple complete	1	PC	
9001	6.273-023.0	Rubber lip set corrugated oil resistant	1	PC	
9002	4.035-171.0	Support roller complete replacement	2	PC	
9003	4.035-557.0	Support roller complete replacement	2	PC	
9500	4.035-619.0	Set deflector roll stack formation SB	2	PC	



50 Deflector roll suction bar complete (4.435-005.0)

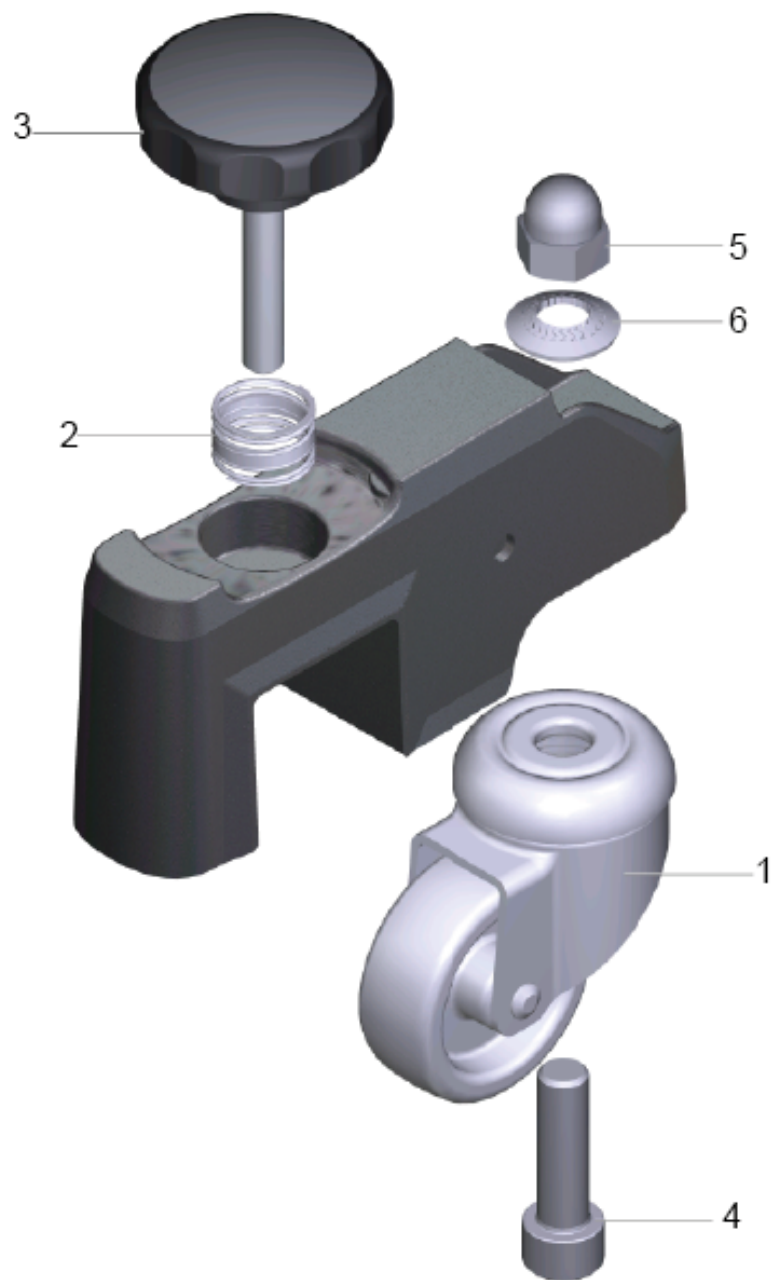
POS	Article no.	Description	Quantity	Unit
10	6.321-170.0	Star grip M8X60 - VA	2	PC
20	6.435-342.0	Wheel gummed D124 Di12	2	PC
30	5.094-496.0	Sleeve suction bar VA	2	PC

60 Profile pre-assembled right AB 900 mm (4.035-162.0)

POS	Article no.	Description	Quantity	Unit
20	5.033-579.0	End piece inside right	1	PC

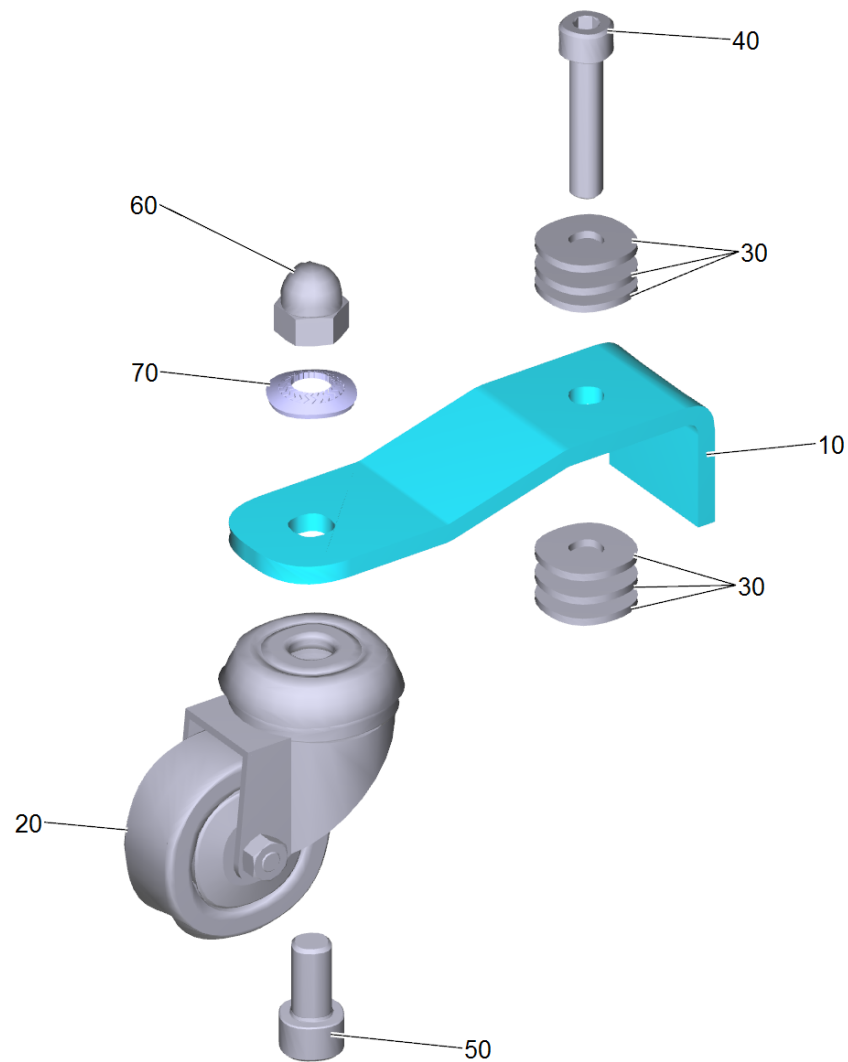
70 Profile pre-assembled left AB 900 mm (4.035-163.0)

POS	Article no.	Description	Quantity	Unit
20	5.033-578.0	End piece inside left	1	PC



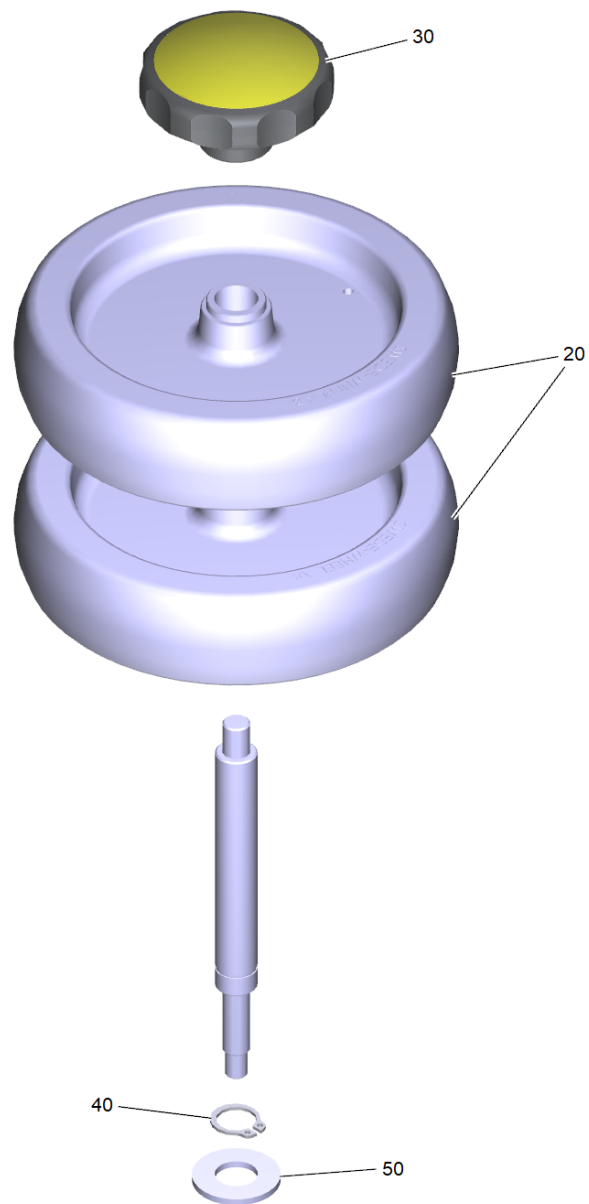
9002 Support roller complete replacement (4.035-171.0)

POS	Article no.	Description	Quantity	Unit
1	6.435-179.0	Castor for thread deflector	1	PC
2	5.332-554.0	Pressure spring	1	PC
3	6.321-240.0	Star grip with inscription VA Ø50x43	1	PC
4	7.306-074.0	Cylinder head screw M10x35-8.8-A3E ISO4	1	PC
5	7.311-382.0	Cap nut M10-6-A3E DIN 1587	1	PC
6	6.996-526.0	Serrated locking washer d.10	1	PC



9003 Support roller complete replacement (4.035-557.0)

POS	Article no.	Description	Quantity	Unit
10	5.013-547.0	Retaining plate castor suction bar V-Typ	1	PC
20	6.435-179.0	Castor for thread deflector	1	PC
30	7.312-289.0	Washer 8 -A2 ISO 7093-1	6	PC
40	7.306-114.0	Cylinder head screw M 8x40-A2-70 ISO 47	1	PC
50	7.306-234.0	Cylinder head screw M10x20-A4-70 ISO 47	1	PC
60	7.311-382.0	Cap nut M10-6-A3E DIN 1587	1	PC
70	6.996-526.0	Serrated locking washer d.10	1	PC



9500 Set deflector roll stack formation SB (4.035-619.0)

POS	Article no.	Description	Quantity	Unit
20	5.515-346.0	Deflector roll suction bar D120	2	PC
30	6.321-224.0	Turning knob grey D55mm	1	PC
40	7.343-083.0	Locking ring 12x1 -FSt DIN 471	1	PC
50	5.115-628.0	Washer	1	PC

20 B 40 C Ep 120V (2.533-201.0)

POS	Article no.	Description	Quantity	Unit
120		Documentation Ep	1	PC
400	5.971-697.0	Spare parts list B 40 C Ep 120V	1	PC

120 Documentation Ep

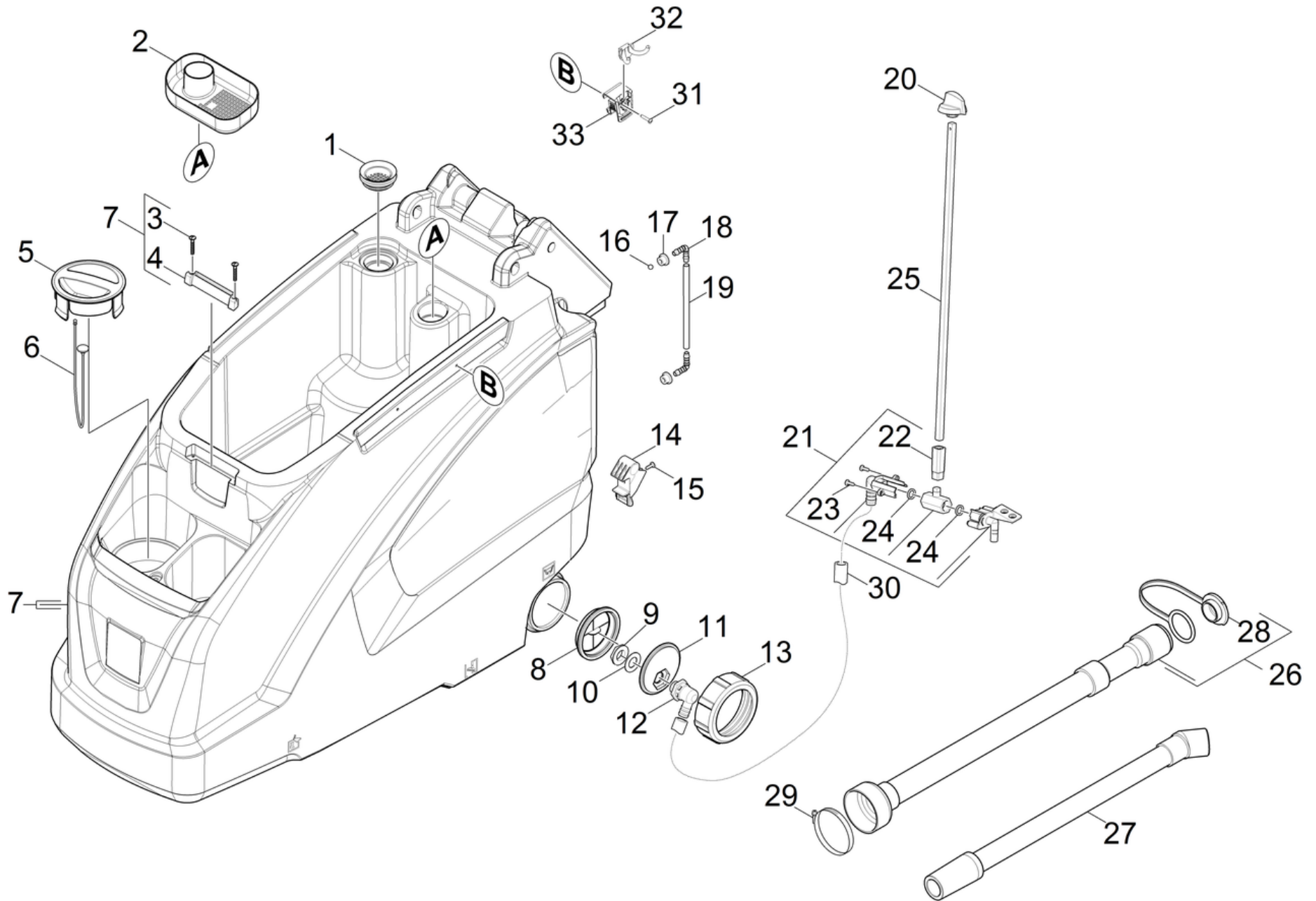
POS	Article no.	Description	Quantity	Unit
70	6.277-323.0	Documentation pocket	1	PC
80		PAIS B40	1	PC

400 Spare parts list B 40 C Ep 120V (5.971-697.0)

POS	Article no.	Description	Quantity	Unit
10		Tank	1	PC
20		Frame	1	PC
30		Vacuum motor	1	PC
40		Control panel	1	PC
50		Tachograph	1	PC
60		Electronics	1	PC
70		Suction bar lifting complete	1	PC
80		Suspension power brush	1	PC
9000	4.070-075.0	Set universal hook	1	PC

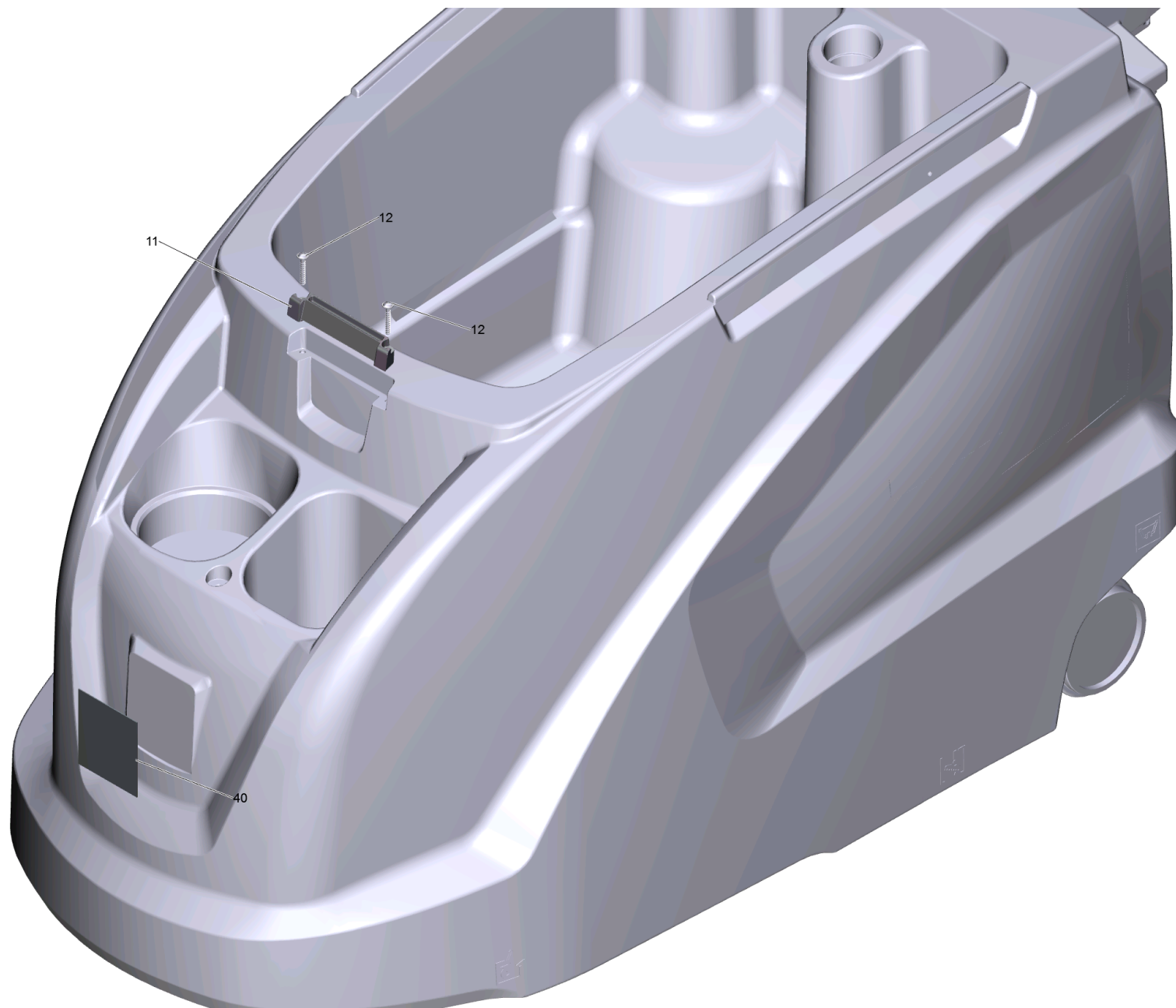
10 Tank

POS	Description	Quantity	Unit
11	Tank	1	PC
12	Covering cap rear	1	PC



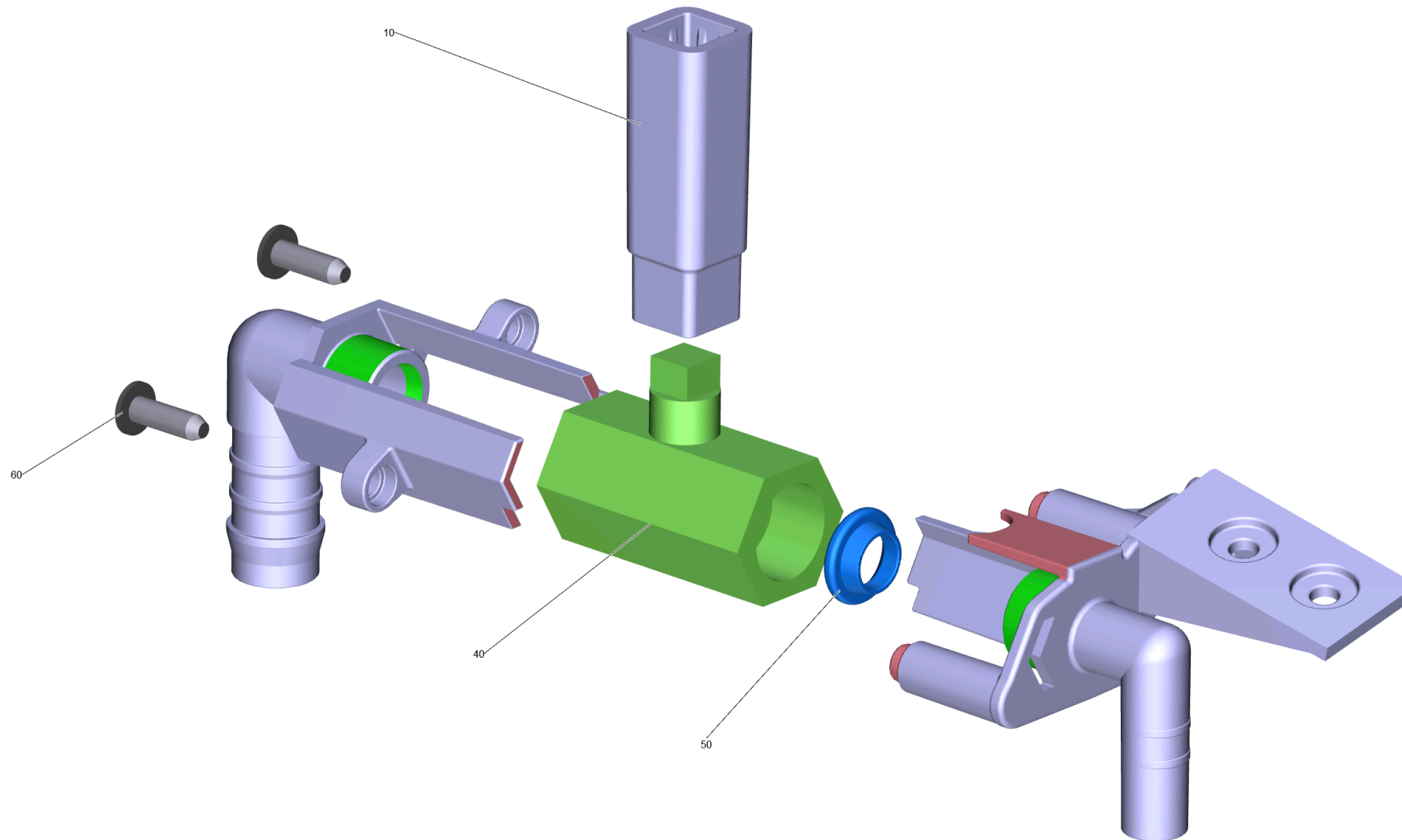
11 Tank

POS	Article no.	Description	Quantity	Unit	Foot note text
1	5.515-266.0	Joint ring fluffing strainer	1	PC	
2	5.036-932.0	Tank bulk waste yellow	1	PC	
3	7.303-086.0	Screw 5x30 -10.9-R2R (K-In6Rd)	2	PC	
4	5.035-482.0	Add-on part tank cover	1	PC	
5	5.034-099.0	Cover fresh water metering RM	1	PC	
6	5.035-358.0	Mounting rope cover fresh water tank	1	PC	
7	4.035-429.0	Tank replacement B40	1	PC	
8	5.035-376.0	Filter discharge	1	PC	
9	6.310-004.0	Hexagon nut G 1/2"	1	PC	
10	5.515-253.0	Seal D34	1	PC	
11	5.035-342.0	Hose connection fresh water discharge	1	PC	
12	6.395-163.3	Angle bushing G1-2	1	PC	
13	5.035-341.0	Cover fresh water tank discharge	1	PC	
14	5.035-433.0	Adapter	2	PC	
16	6.035-006.0	Sphere level indicator	1	PC	
17	5.035-608.0	Wire protecting sleeve	2	PC	
18	6.391-913.0	Elbow nipple	2	PC	
19	5.035-328.0	Silicon hose level indicator	1	PC	
20	5.035-404.0	Handle	1	PC	
21	4.035-426.0	Ball valve complete replacement	1	PC	
22	5.035-459.0	Coupler piece ball valve	1	PC	
23	7.303-107.0	Screw 5x16 -10.9-P2R (K-In6Rd)	2	PC	
24	5.035-770.0	Seal ball valve	2	PC	
25	5.035-369.0	Bar	1	PC	
26	4.035-285.0	Drain hose with cover PU	1	PC	OIL RESISTANT
27	6.392-471.0	Suction hose PU DN32	1	PC	OIL RESISTANT
28	5.035-723.0	Cover drain hose yellow	1	PC	STANDARD
28	5.035-815.0	Cover drain hose oil resistant	1	PC	OIL RESISTANT
29	6.388-767.0	Hose clip 70- 90	1	PC	
30	6.390-324.0	Hose DN16	1	m	TO ORDER AS CUT GOODS
31	7.303-109.0	Screw 5x25 -10.9-R2R (In6Rd)	1	PC	
32	6.980-077.0	Double hook	1	PC	
33	5.035-488.0	Adapter Homebase	1	PC	



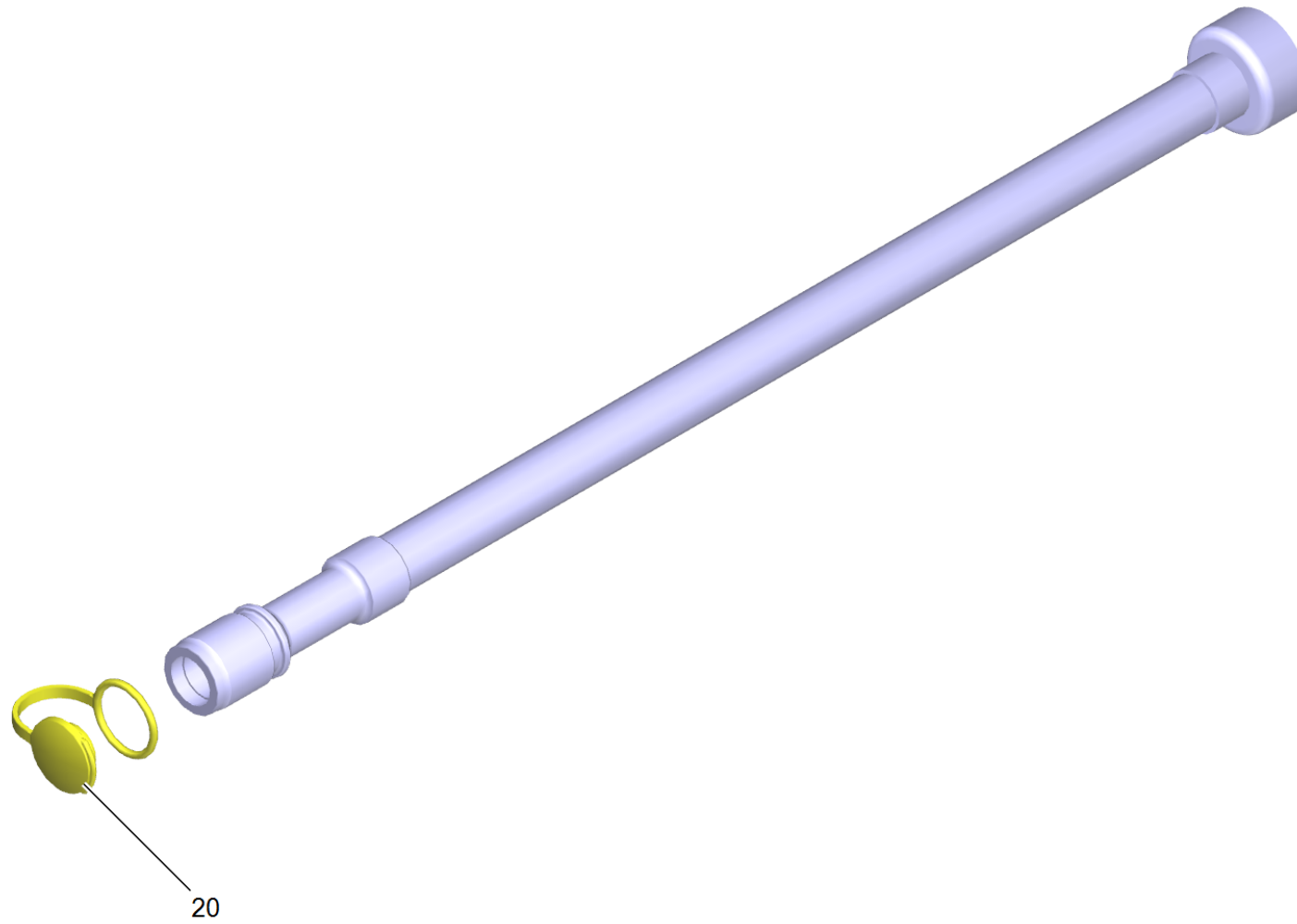
7 Tank replacement B40 (4.035-429.0)

POS	Article no.	Description	Quantity	Unit
11	5.035-482.0	Add-on part tank cover	1	PC
12	7.303-086.0	Screw 5x30 -10.9-R2R (K-In6Rd)	2	PC
40	5.394-081.0	Label signet gel 78x86	1	PC



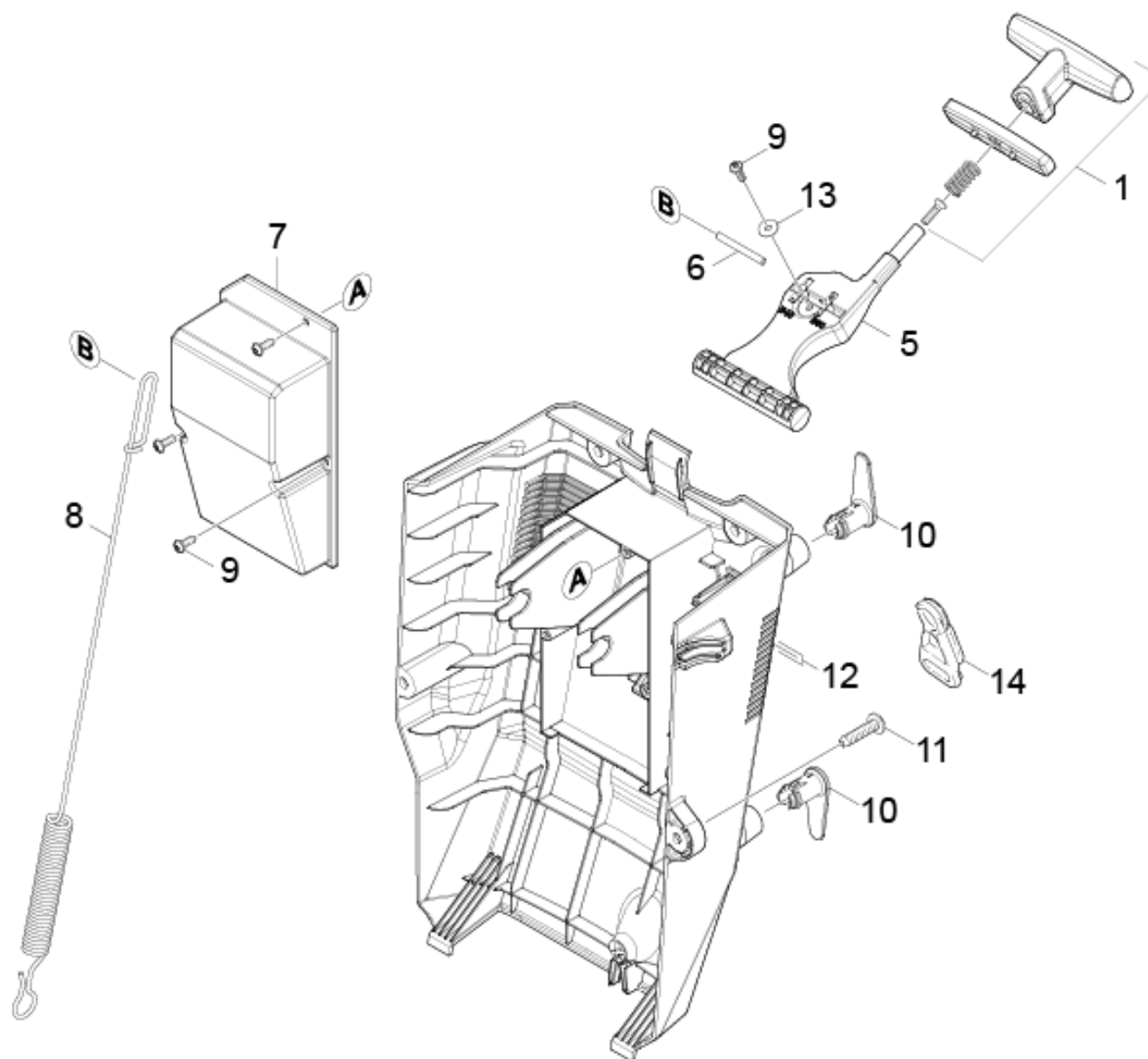
21 Ball valve complete replacement (4.035-426.0)

POS	Article no.	Description	Quantity	Unit
10	5.035-459.0	Coupler piece ball valve	1	PC
40	6.413-586.0	Ball valve without handhold	1	PC
50	5.035-770.0	Seal ball valve	2	PC
60	7.303-107.0	Screw 5x16 -10.9-P2R (K-In6Rd)	2	PC



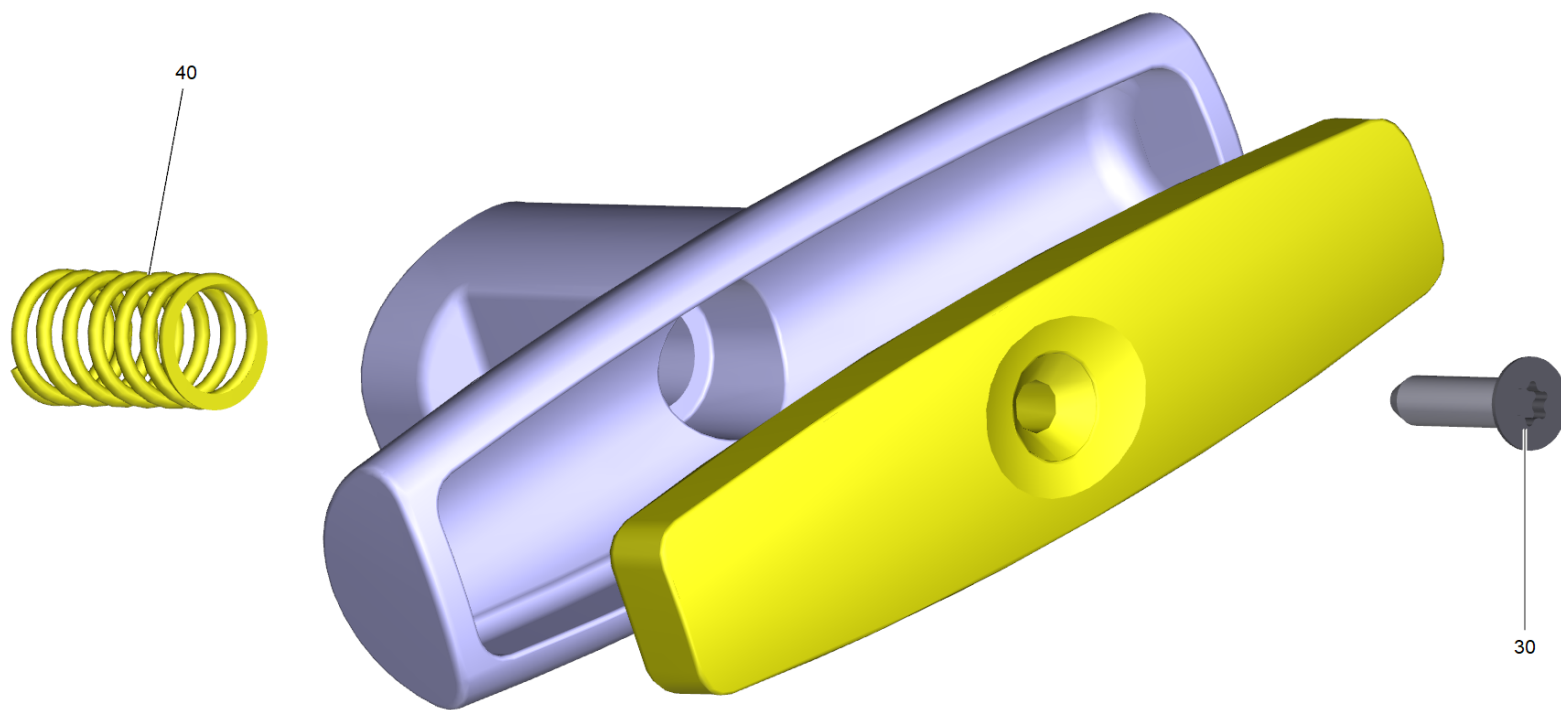
26 Drain hose with cover PU (4.035-285.0)

POS	Article no.	Description	Quantity	Unit
20	5.036-249.0	Cover plate drain hose yellow PU	1	PC



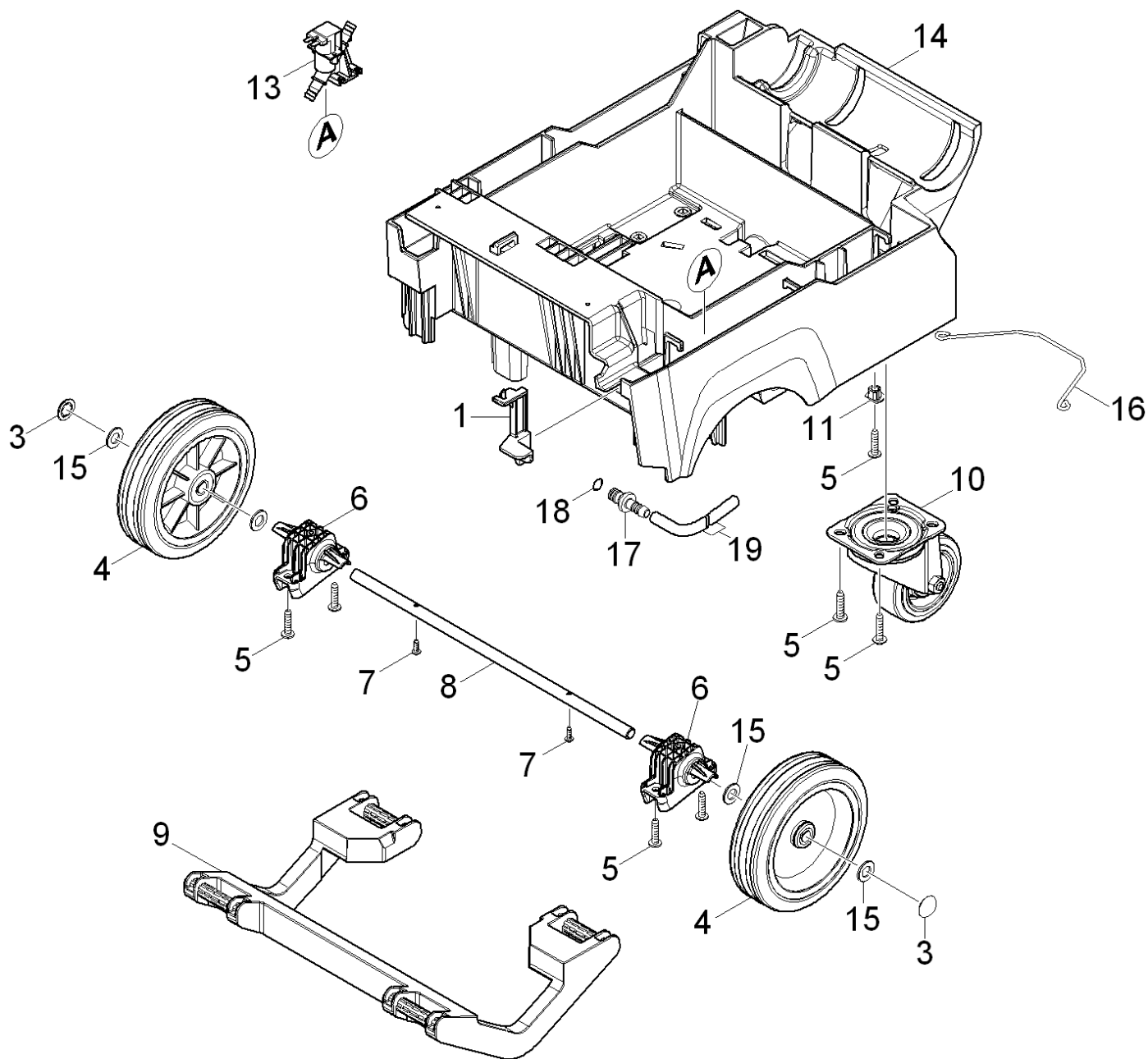
12 Covering cap rear

POS	Article no.	Description	Quantity	Unit
1	4.035-612.0	Set handhold adjustment	1	PC
5	5.035-445.0	Lever suction bar	1	PC
6	5.035-453.0	Axle lever suction bar	1	PC
7	5.035-446.0	Cover covering cap rear	1	PC
8	5.035-423.0	Extension spring	1	PC
9	7.303-107.0	Screw 5x16 -10.9-P2R (K-In6Rd)	3	PC
10	5.044-661.0	Catch for cable yellow	2	PC
11	6.303-315.0	Screw 8 x 35	4	PC
12	5.035-366.0	Covering cap	1	PC
13	7.312-282.0	Washer 5 -A2 ISO 7093-1	1	PC
14	6.641-776.0	Strain relief	1	PC



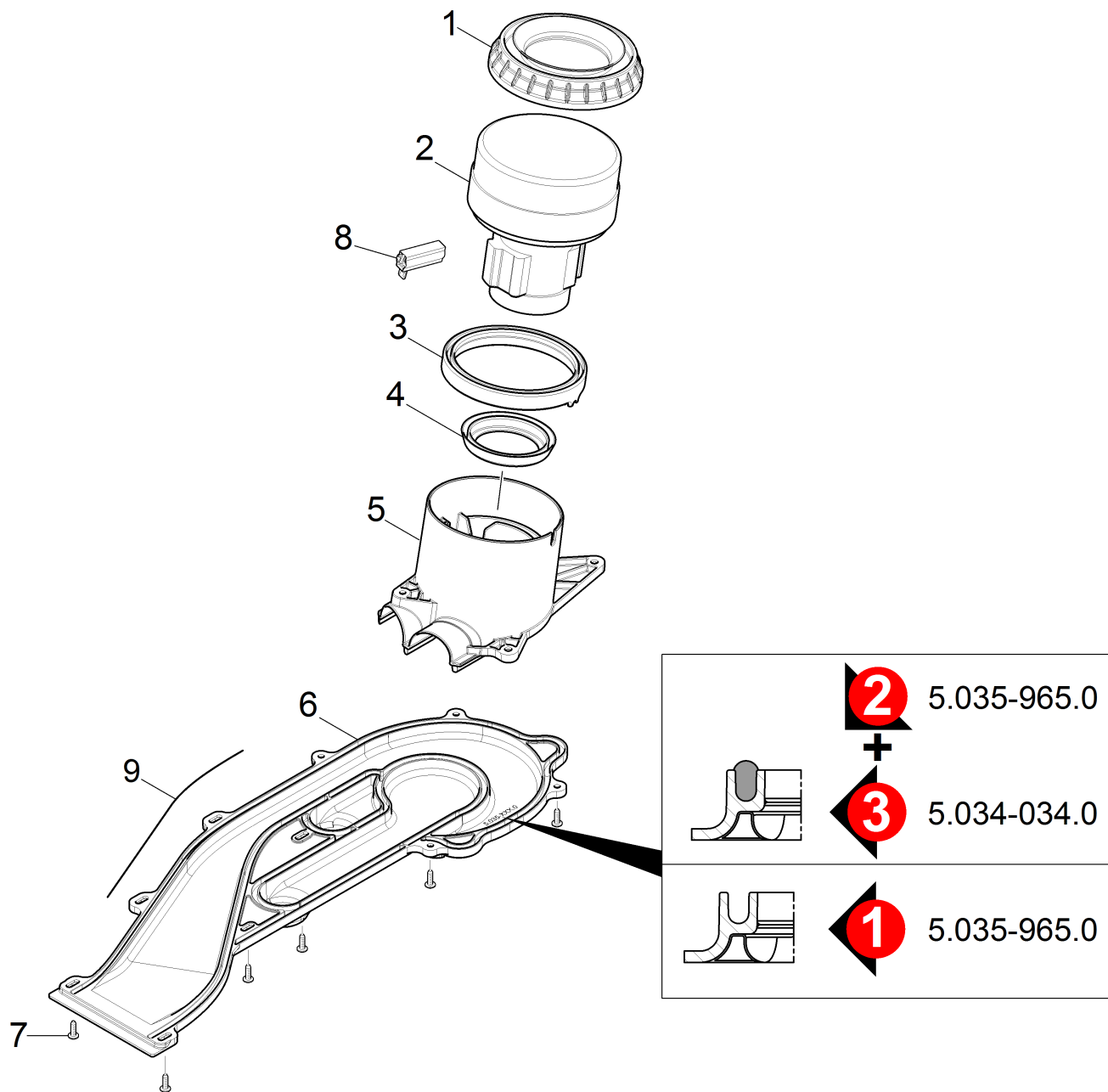
1 Set handhold adjustment (4.035-612.0)

POS	Article no.	Description	Quantity	Unit
30	7.303-128.0	Countersunk screw 5x20 -10.9-R2R (In6Rd)	1	PC
40	5.332-481.0	Helical spring	1	PC



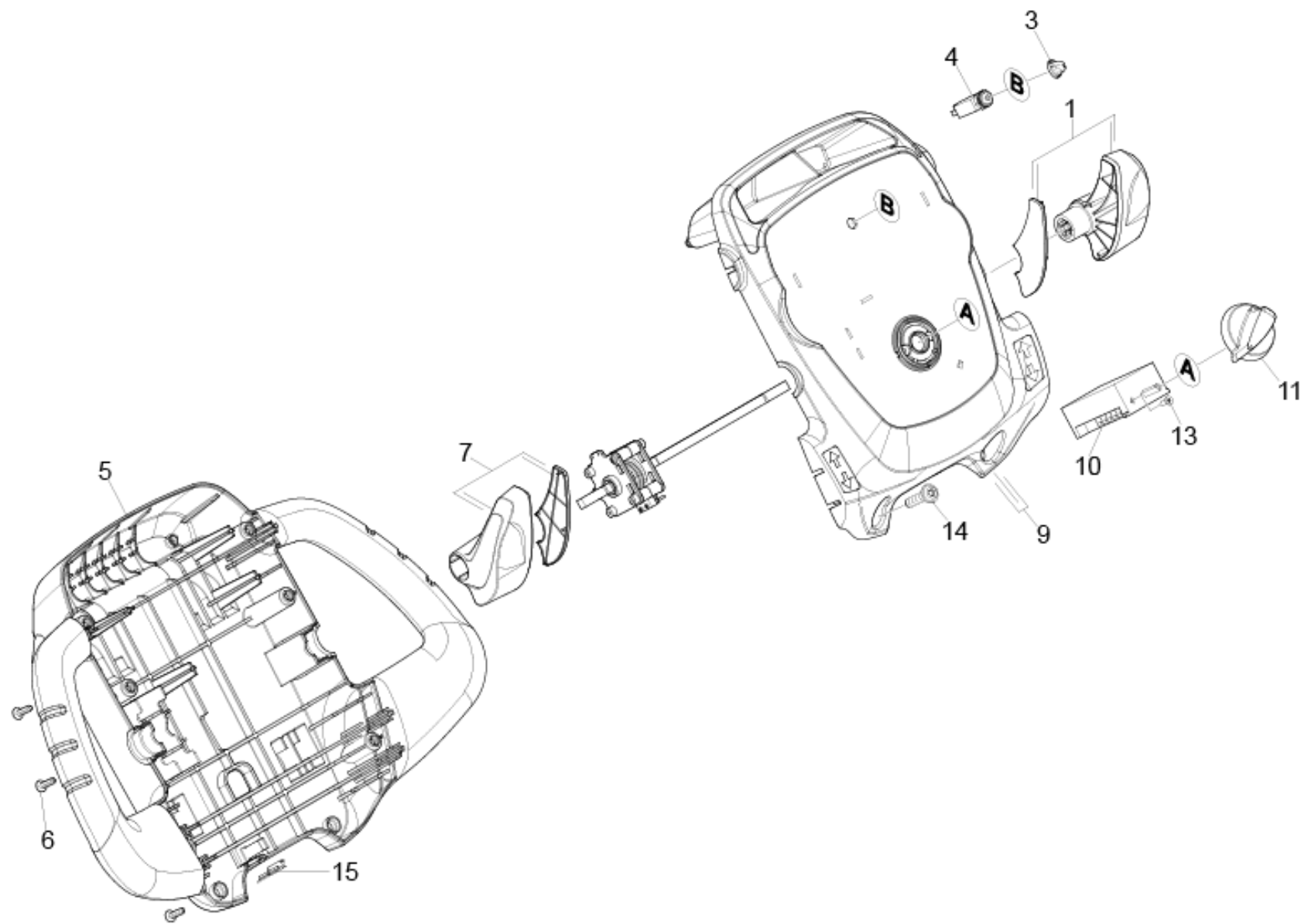
20 Frame

POS	Article no.	Description	Quantity	Unit	Remark	Foot note text
1	5.035-435.0	Tank locking part	1	PC		
3	6.343-240.0	Lock washer	2	PC		
4	6.435-412.0	Wheel D 200	2	PC		
5	6.303-315.0	Screw 8 x 35	15	PC		
6	5.035-352.0	Holder axle	2	PC		
7	7.303-109.0	Screw 5x25 -10.9-R2R (In6Rd)	2	PC		
8	5.035-360.0	Wheel axle carriage	1	PC		
9	5.035-334.0	Retaining bracket connecting rod	1	PC		
10	6.435-011.3	Castor	2	PC		
11	5.035-522.0	Sleeve	3	PC		
13	6.472-002.3	Solenoid valve 120V 60Hz	1	PC	120 V	
14	5.035-350.0	Frame B40	1	PC		
15	7.312-028.0	Washer 14-200HV-A3E ISO7089	4	PC		
16	5.035-440.0	Wire spring	1	PC		
17	5.443-375.0	Hose stem	1	PC		
18	6.362-170.0	O-Ring seal 11,3 X 2,4-NBR 70	1	PC		
19	6.390-852.0	Hose fabric reinforced NW12	1	m		TO ORDER AS CUT GOODS



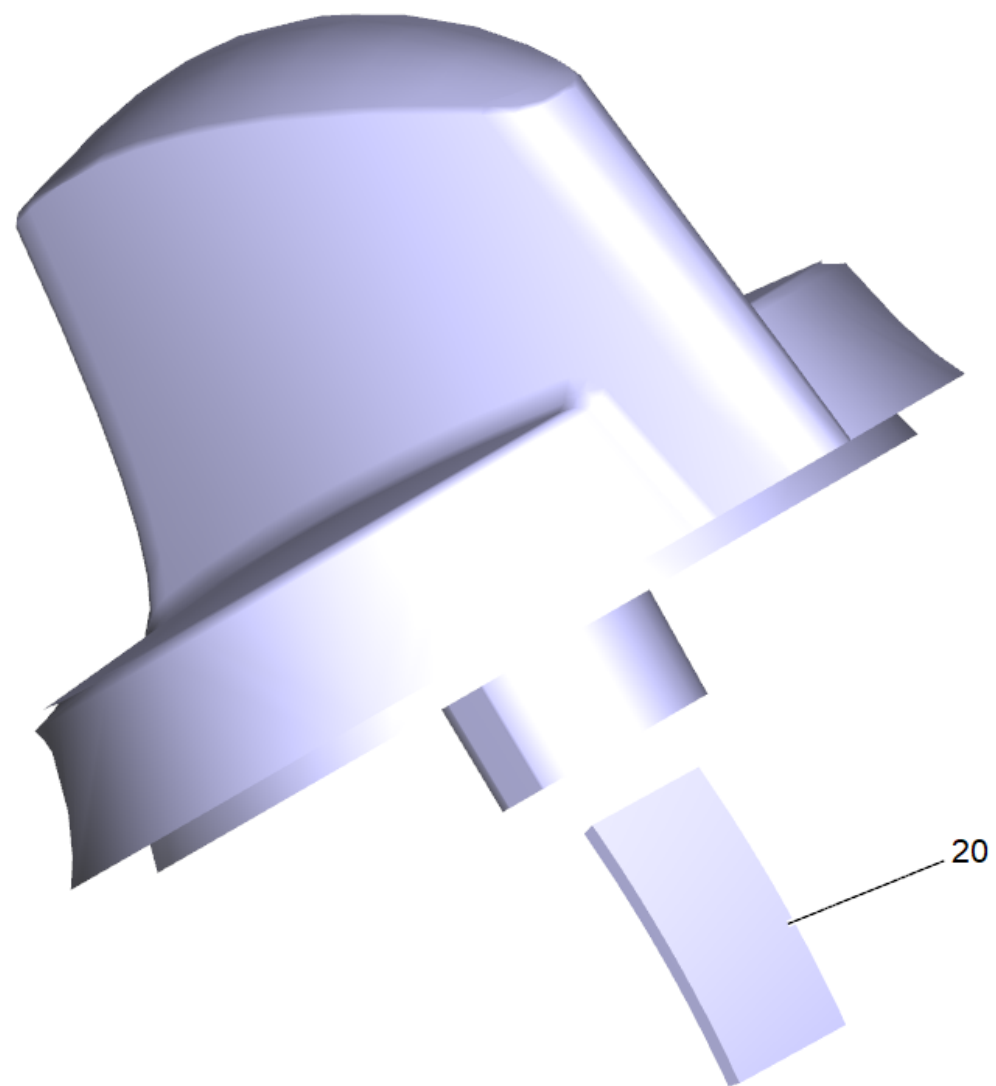
30 Vacuum motor

POS	Article no.	Description	Quantity	Unit	Remark	Foot note text
1	5.035-333.0	Bearing vacuum motor	1	PC		
2	4.035-422.0	Vacuum motor replacement	1	PC	120 V	
3	5.035-332.0	Joint ring turbine	1	PC		
4	5.363-395.0	Seal	1	PC		
5	5.034-032.0	Air circulation turbine bottom	1	PC		VERSION 2
5	5.035-964.0	Air circulation bottom turbine	1	PC		VERSION 1
6	4.034-009.0	Air circulation turbine replacement	1	PC		VERSION 2
6	5.034-034.0	Air circulation turbine above foamed	1	PC		VERSION 3
6	7.777-999.0	Stockpiling discontinued	1	PC		VERSION 1
7	7.303-107.0	Screw 5x16 -10.9-P2R (K-In6Rd)	8	PC		
8	6.610-331.0	Set carbon brushes for replacement	1	PC	120 V	
9	6.273-196.0	Seal string cellular rubber	1	m		TO ORDER AS CUT GOODS



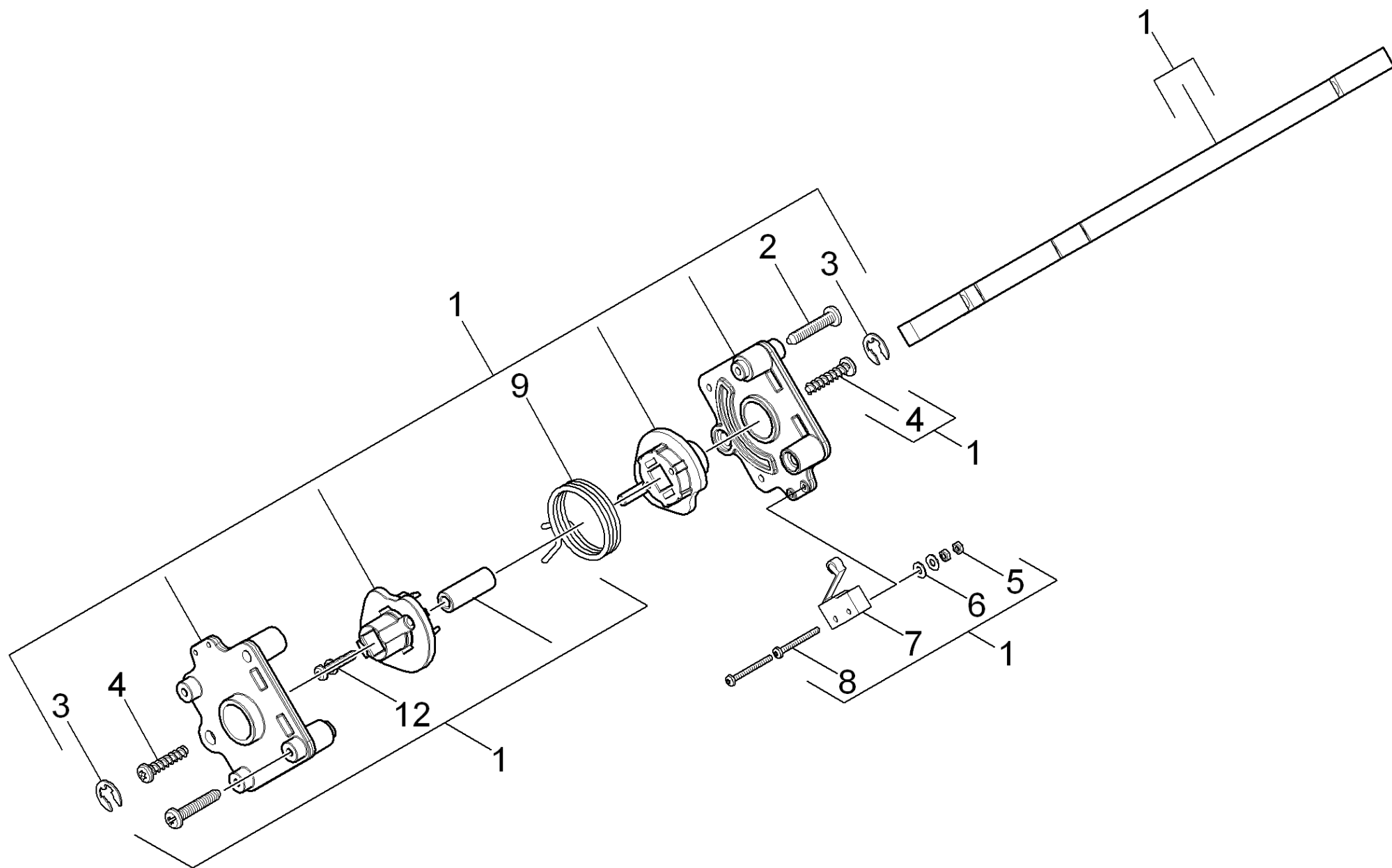
40 Control panel

POS	Article no.	Description	Quantity	Unit	Foot note text
1	4.035-495.0	Tachograph right complete	1	PC	
3	6.630-082.0	Protecting cap	1	PC	
4	6.630-667.0	Motor protecting switch 10 A	1	PC	
5	4.035-129.0	Housing control panel replacement B40 EP	1	PC	WITHOUT SLOT FOR 5.033-829.0
5	5.035-219.0	Housing bottom part control panel	1	PC	WITH SLOT FOR 5.033-829.0
6	7.303-109.0	Screw 5x25 -10.9-R2R (In6Rd)	6	PC	
7	4.035-496.0	Tachograph left complete	1	PC	
9	4.035-122.0	Covering cap control panel replacement B	1	PC	WITH SLOT FOR 5.033-829.0
9	4.035-461.0	Covering cap control panel replacement B	1	PC	WITHOUT SLOT FOR 5.033-829.0
10	4.035-414.0	Switch mains replacement	1	PC	
11	4.035-608.0	Handhold operational concept complete	1	PC	
13	7.305-036.0	Countersunk screw M4x12 -A2-70-s (IN6RD	2	PC	
14	6.303-315.0	Screw 8 x 35	2	PC	
15	5.033-829.0	Rubber stopper control panel	1	PC	



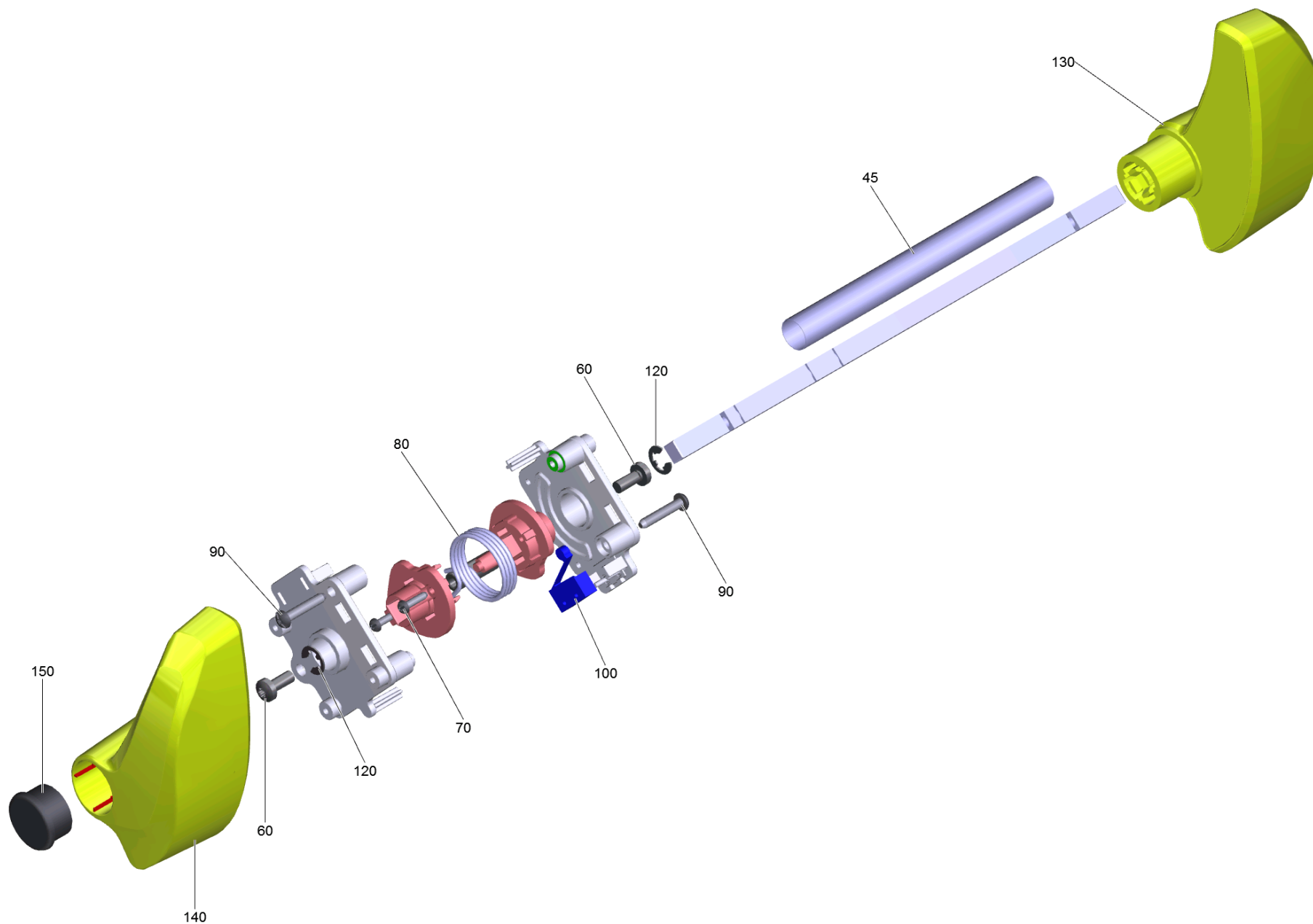
11 Handhold operational concept complete (4.035-608.0)

POS	Article no.	Description	Quantity	Unit
20	6.313-014.0	Spring element	1	PC



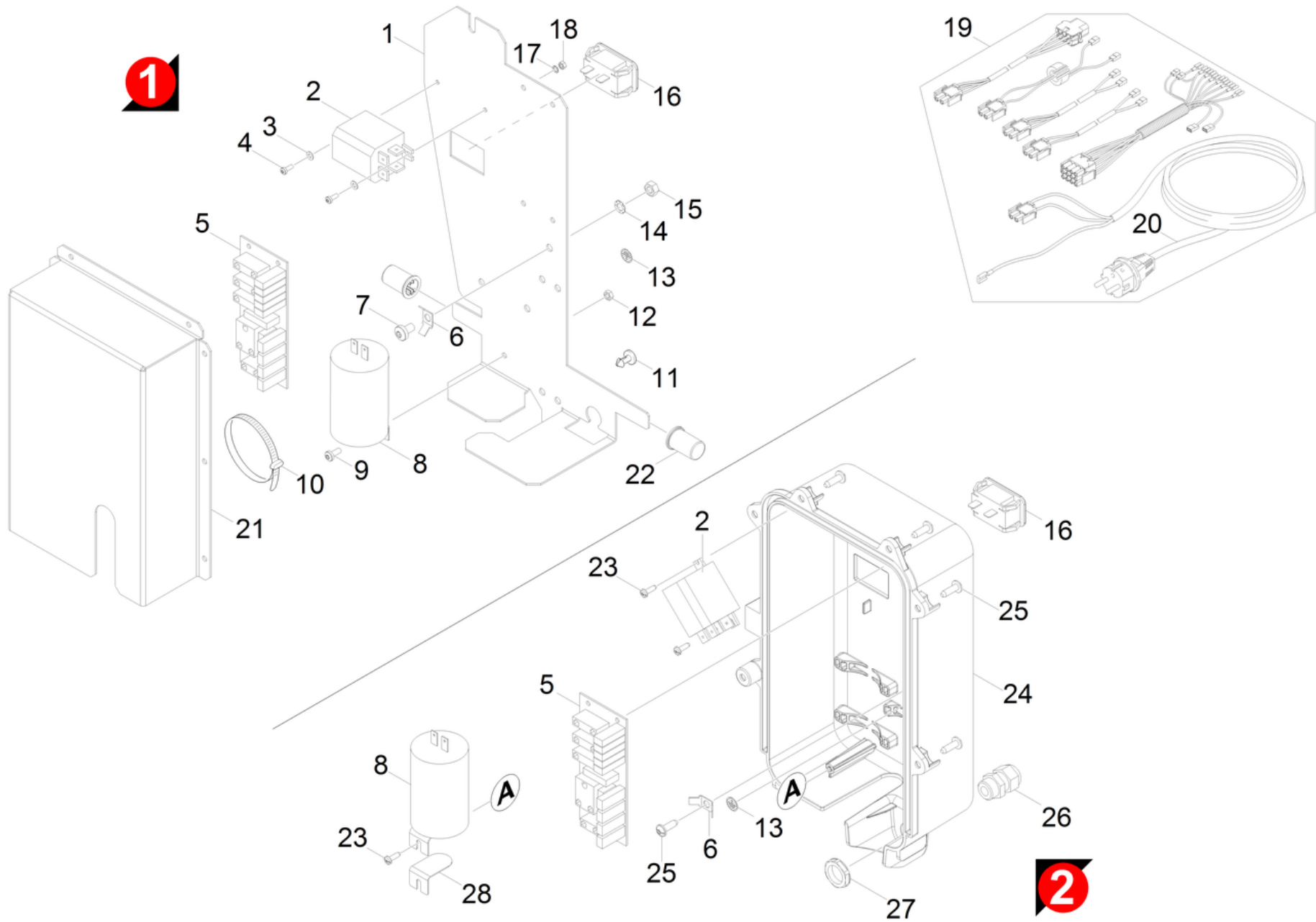
50 Tachograph

POS	Article no.	Description	Quantity	Unit
1	4.035-475.0	Tachograph set Ep	1	PC
2	7.303-096.0	Screw 4x22-ST-10.9-R2R (IN6RD)	2	PC
3	7.343-201.0	Lock washer 6-FST-PHR DIN 6799	2	PC
4	7.306-394.0	Screw M5x12 -8.8-ZNBHL ISO 14583	2	PC
5	7.311-074.0	Hexagon nut M 2-8-A2E ISO 4032	2	PC
6	7.312-053.0	Washer 2,5-200HV-A3E ISO 7089	2	PC
7	6.630-501.0	Switch	1	PC
8	7.306-045.0	Cylinder head screw M2x20-4.8-A2K DIN 84	2	PC
9	6.330-441.0	Torsion spring tachograph	1	PC
12	6.303-557.0	Screw 3x12 Kombitorx T8	2	PC



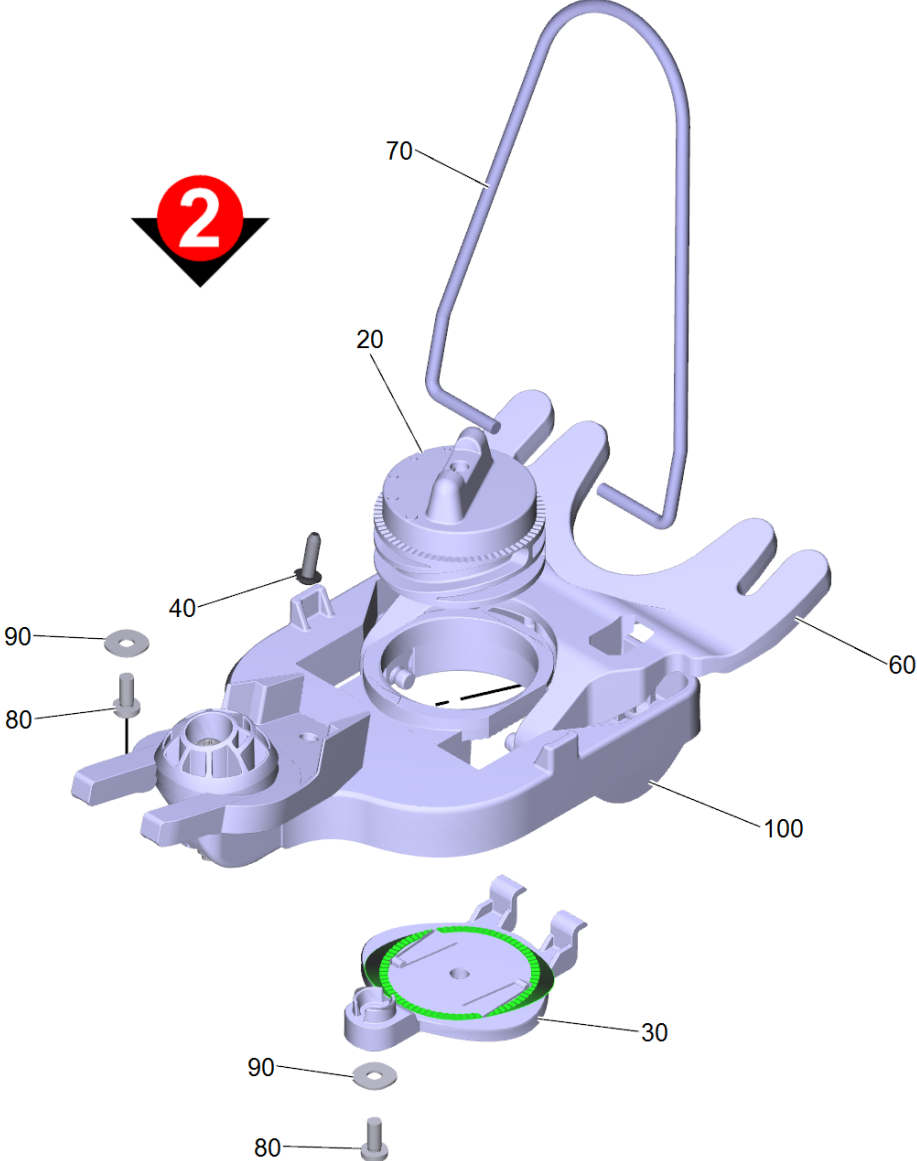
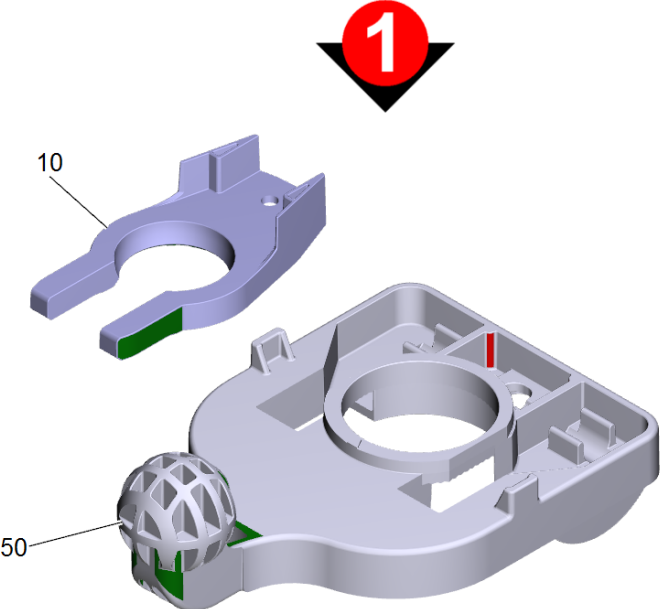
1 Tachograph set Ep (4.035-475.0)

POS	Article no.	Description	Quantity	Unit	Foot note text
45	6.642-014.0	Insulating hose 13	1	m	TO ORDER AS CUT GOODS
60	7.306-394.0	Screw M5x12 -8.8-ZNBHL ISO 14583	2	PC	
70	6.303-557.0	Screw 3x12 Kombitorx T8	2	PC	
80	6.330-441.0	Torsion spring tachograph	1	PC	
90	7.303-096.0	Screw 4x22-ST-10.9-R2R (IN6RD)	2	PC	
100	6.630-501.0	Switch	1	PC	
120	7.343-201.0	Lock washer 6-FST-PHR DIN 6799	2	PC	
130	4.035-495.0	Tachograph right complete	1	PC	
140	4.035-496.0	Tachograph left complete	1	PC	
150	6.368-196.0	Drain plug	2	PC	



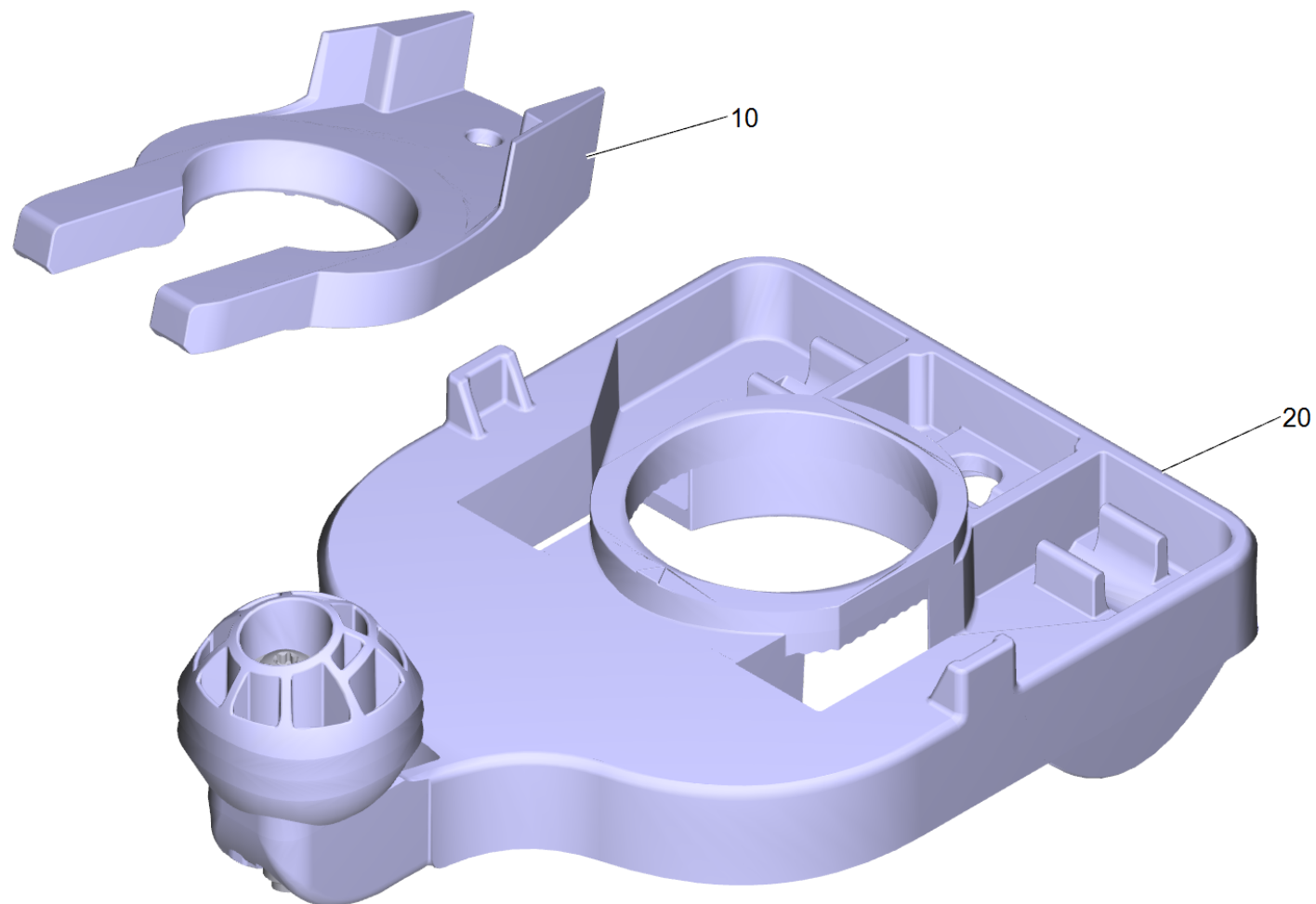
60 Electronics

POS	Article no.	Description	Quantity	Unit	Remark
1	5.035-705.0	Plate base plate electronics B40 Ep	1	PC	
2	6.633-449.0	Relay 120V	1	PC	120 V
4	7.306-203.0	Screw M3x8 -A2-70 ISO 14853	2	PC	
5	6.682-804.0	Circuit board distributor	1	PC	
6	6.641-269.0	Tab	1	PC	
7	7.306-191.0	Screw M6x10 -A2-70 (In6Rd)	1	PC	
8	6.661-220.0	Capacitor	1	PC	120 V
9	7.306-206.0	Screw M4x10 -A2-70 ISO 14583	1	PC	
10	6.641-463.0	Cable tape	1	PC	
11	6.646-322.0	Distance holder	4	PC	
12	7.311-001.0	Hexagon nut M4 -6-A2E ISO 4032	1	PC	
13	6.643-145.0	Label earthing	1	PC	
14	7.312-165.0	Toothed lock washer A6,4-FSt-PH DIN 6797	1	PC	
15	7.311-003.0	Hexagon nut M6 -8-A2E ISO 4032	1	PC	
16	6.681-063.0	Hour counter	1	PC	
17	7.312-234.0	Serrated lock washer A3,2 -FSt-A3E DIN6	2	PC	
18	7.311-000.0	Hexagon nut M3 -6-A2E ISO 4032	2	PC	
19	4.822-785.0	Cable harness B40 C Ep 120V	1	PC	120 V
20	6.645-555.0	Cable with plug B40 Ep	1	PC	
21	5.035-818.0	Cover electronics	1	PC	
22	5.035-450.0	Bearing bush electronics	2	PC	
23	7.303-102.0	Screw 3,5x12 -A2-70-bk (In6Rd)	3	PC	
24	5.035-869.0	Electric box	1	PC	
25	7.303-107.0	Screw 5x16 -10.9-P2R (K-In6Rd)	6	PC	
26	6.648-399.0	Cable gland black M16x1,5	1	PC	
27	6.648-415.0	Locknut black M16	1	PC	
28	6.661-001.0	Angle capacitor	1	PC	



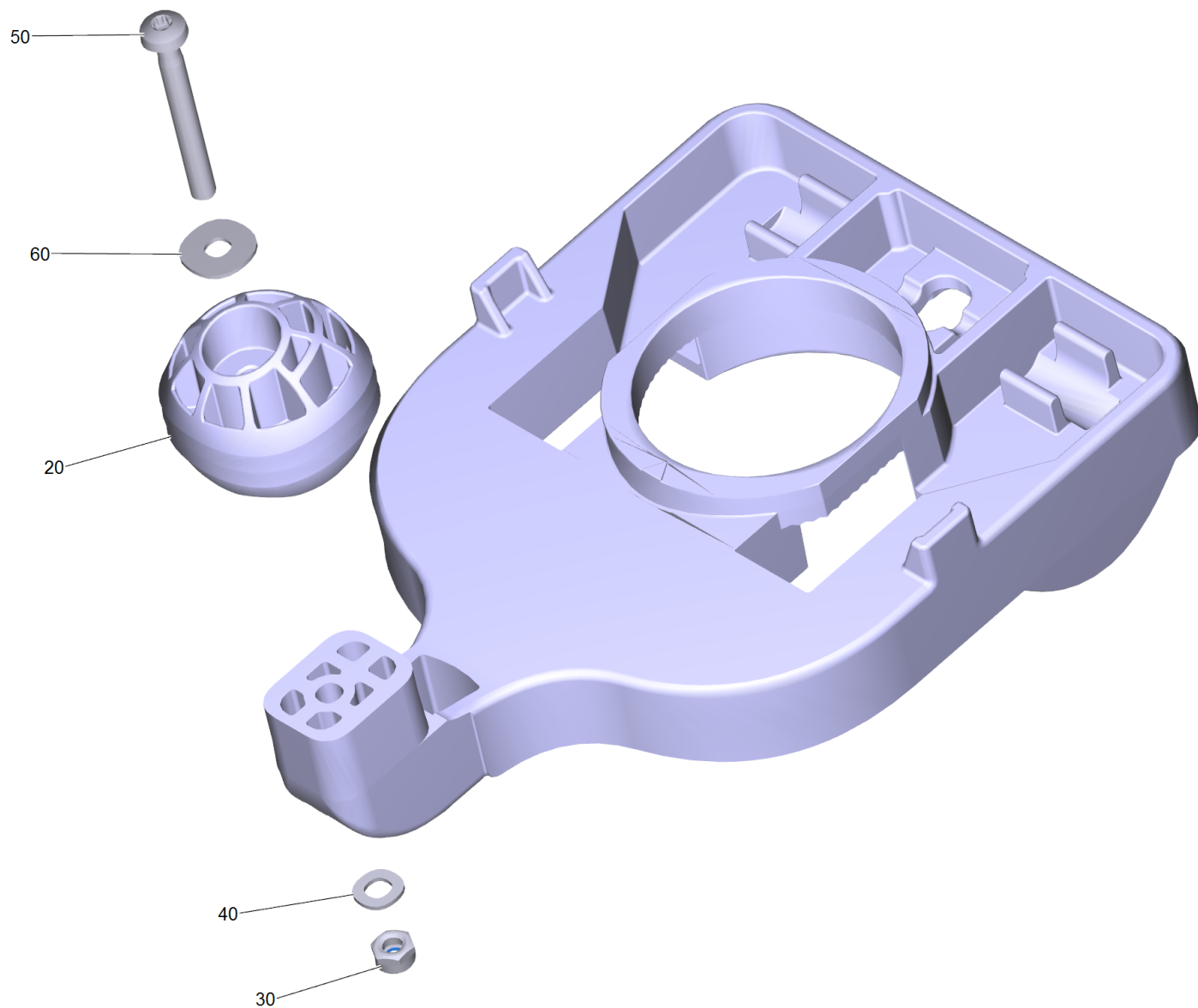
70 Suction bar lifting complete

POS	Article no.	Description	Quantity	Unit	Foot note text
10	7.777-999.0	Stockpiling discontinued	1	PC	VERSION 1
20	5.035-292.0	Adjusting knob suction bar toothing	1	PC	
30	5.035-293.0	Covering cap suction bar toothing	1	PC	
40	7.303-109.0	Screw 5x25 -10.9-R2R (In6Rd)	1	PC	
50	7.777-999.0	Stockpiling discontinued	1	PC	VERSION 1
60	5.036-103.0	Rocker suction bar	1	PC	
70	5.035-382.0	Retaining bracket suction bar	1	PC	
80	6.306-003.0	Screw M5X12-A2/70-ISO 14583 (IN6RD)	2	PC	with microencapsulation
90	7.312-282.0	Washer 5 -A2 ISO 7093-1	2	PC	
100	4.035-583.0	Holder suction bar complete	1	PC	VERSION 2



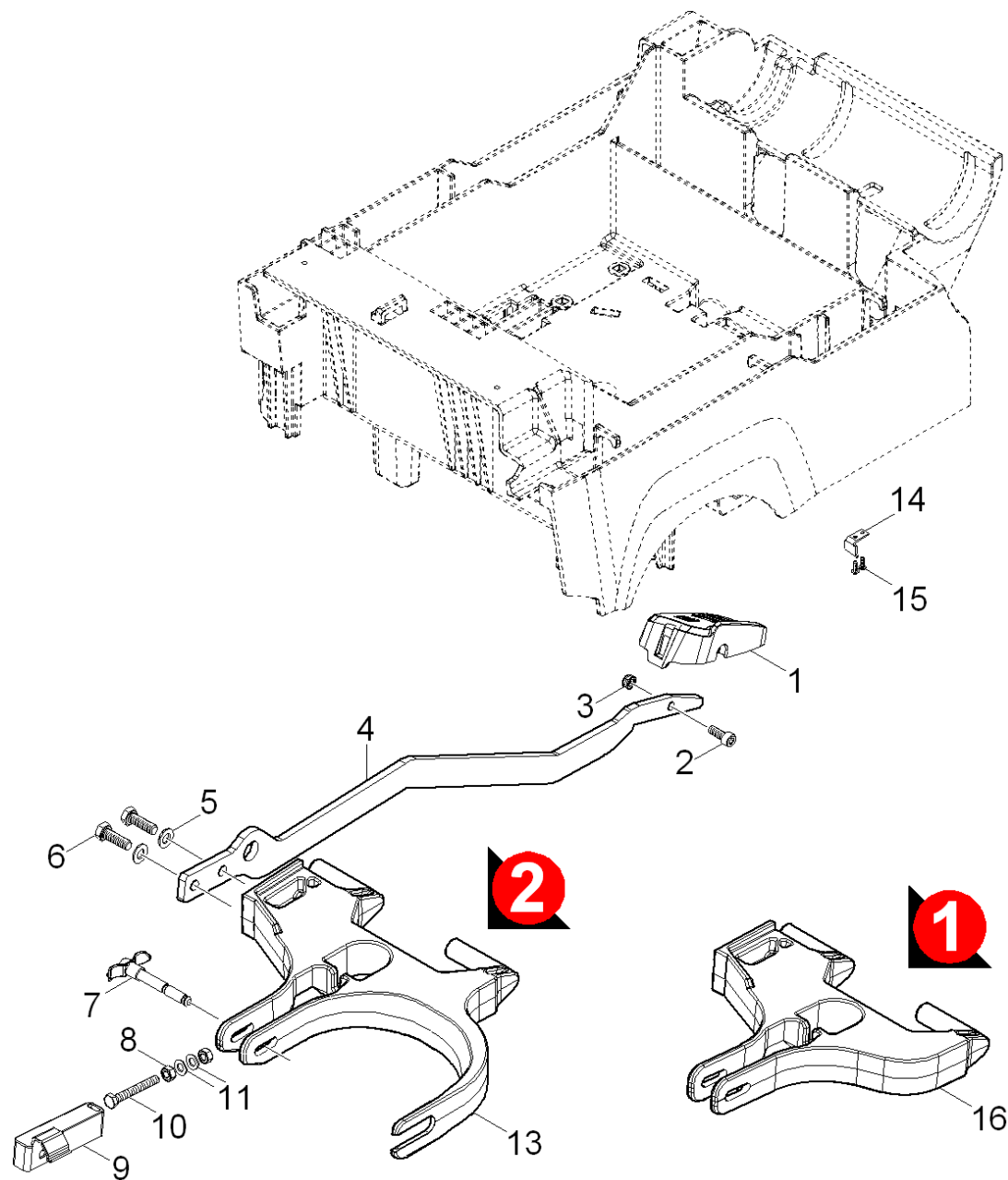
100 Holder suction bar complete (4.035-583.0)

POS	Article no.	Description	Quantity	Unit
10	5.005-005.0	FIXING PLATE SUCTION BAR ALU	1	PC
20	4.037-137.3	Holder suction bar	1	PC



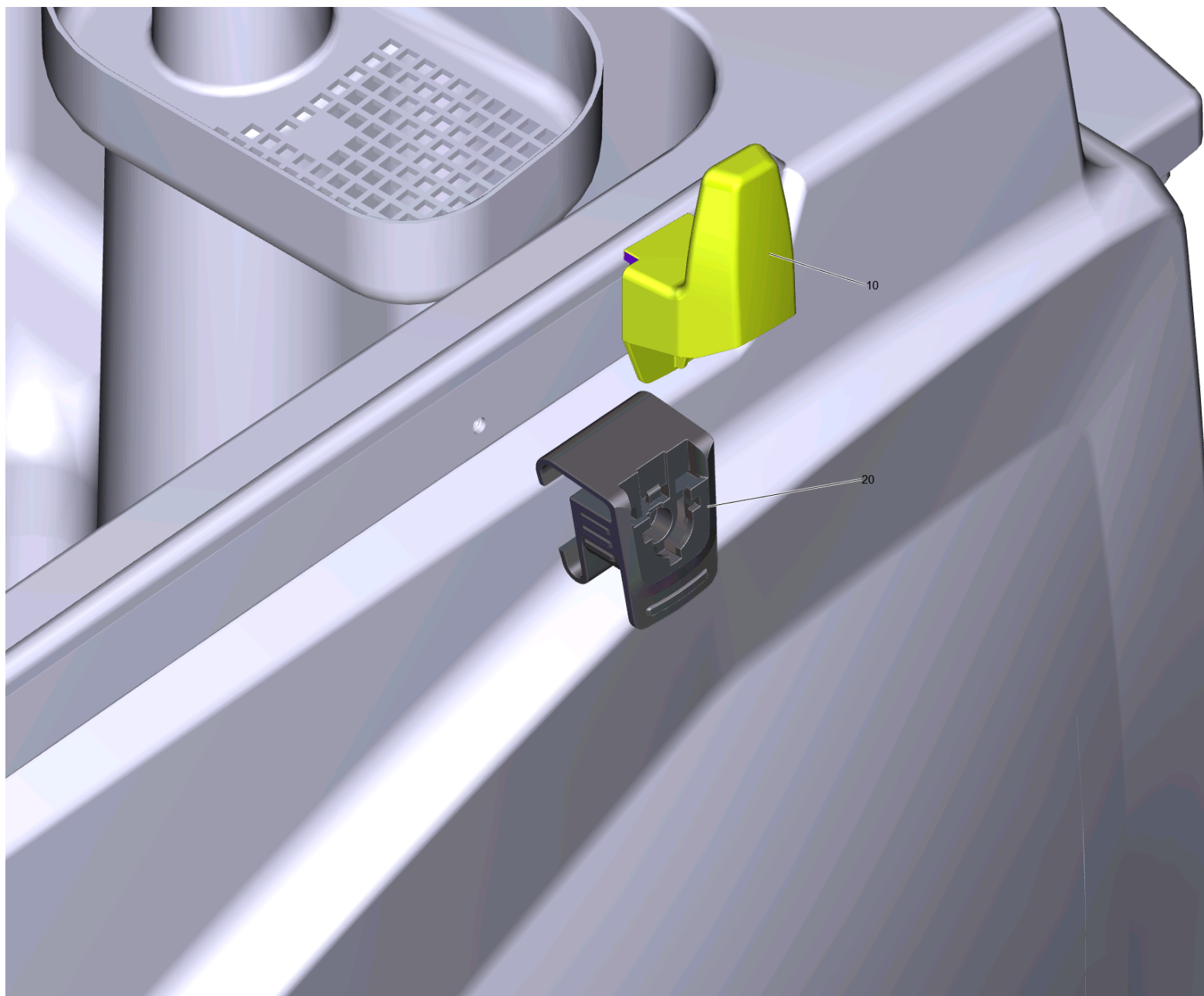
20 Holder suction bar (4.037-137.3)

POS	Article no.	Description	Quantity	Unit
20	5.037-579.0	Sphere suction bar suspension	1	PC
30	7.311-431.0	Hexagon nut M 5-1.4305 DIN 985	1	PC
40	7.312-052.0	Washer 5 -A2 ISO 7089	1	PC
50	7.306-215.0	Screw M5x45 -8.8-P2R (In6Rd)	1	PC
60	7.312-282.0	Washer 5 -A2 ISO 7093-1	1	PC



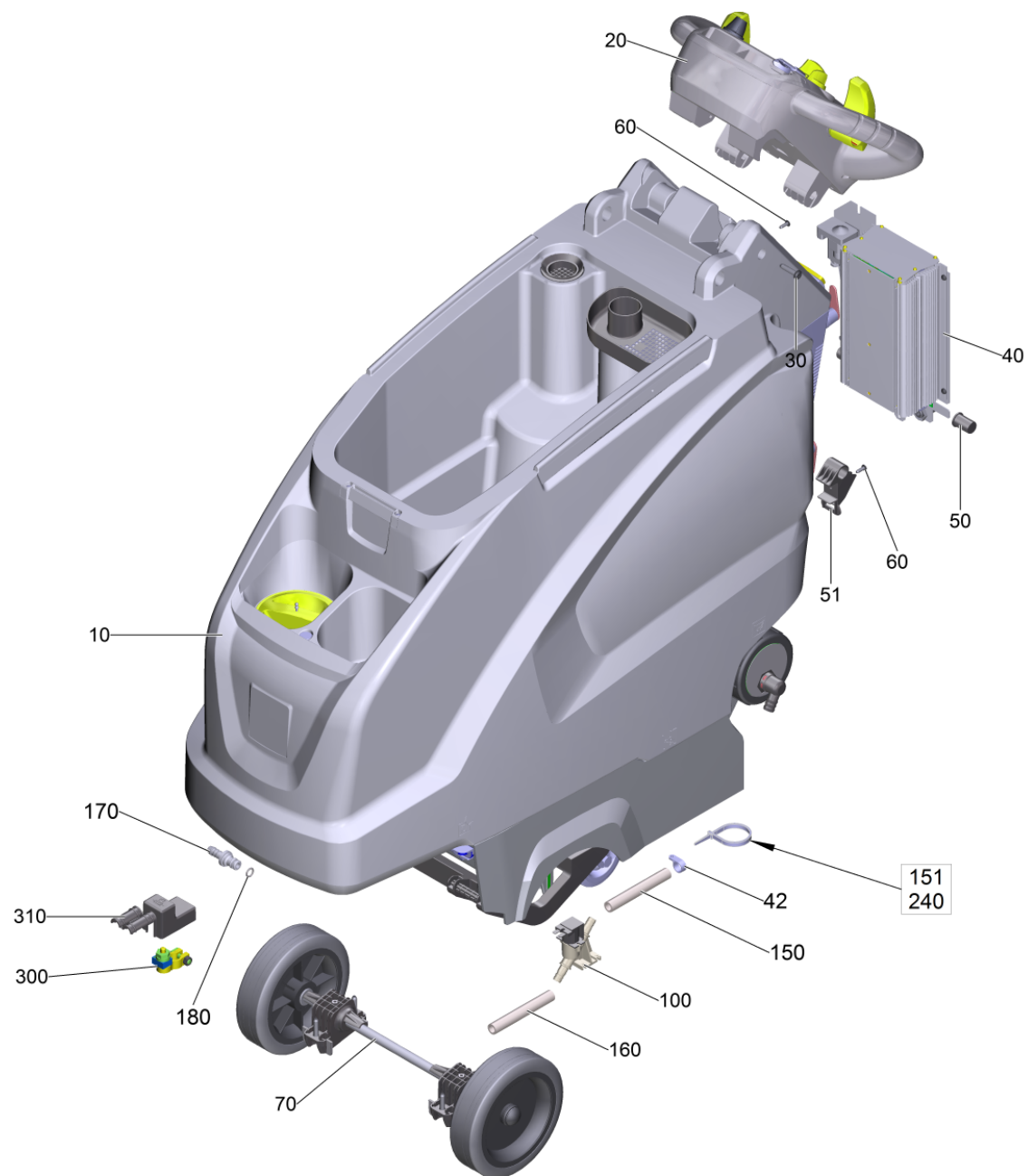
80 Suspension power brush

POS	Article no.	Description	Quantity	Unit	Foot note text
1	5.035-374.0	Pedal brush-head	1	PC	
2	7.306-041.0	Cylinder head screw M8x20 -8.8-A2E ISO	1	PC	
3	7.311-514.0	Hexagon nut M 8-A2-70 ISO 7040	1	PC	
4	5.035-370.0	Lever plate brush-head	1	PC	
5	7.312-005.0	Washer 10-200HV-A3E ISO 7089	2	PC	
6	7.304-417.0	Hexagonal head screw M10x30-8.8-A3E ISO	2	PC	
7	5.035-865.0	Handhold bolt brush-head	1	PC	
8	7.311-068.0	Hexagon nut M 8-A2-70 ISO 4032	2	PC	
9	5.035-377.0	Adjusting element brush-head	1	PC	
10	7.304-262.0	Hexagonal head screw M8x60-A4-70 ISO 40	1	PC	
11	7.312-004.0	Washer 8 -200HV-A3E ISO 7089	2	PC	
13	5.035-675.0	Suspension brush-head triple	1	PC	VERSION 2
14	5.035-361.0	Sheet metal component	1	PC	
15	7.303-113.0	Screw 6x25 -10.9-R2R (In6Rd)	2	PC	
16	2.882-733.0	Conversion kit suspension brush-head B40	1	PC	VERSION 1



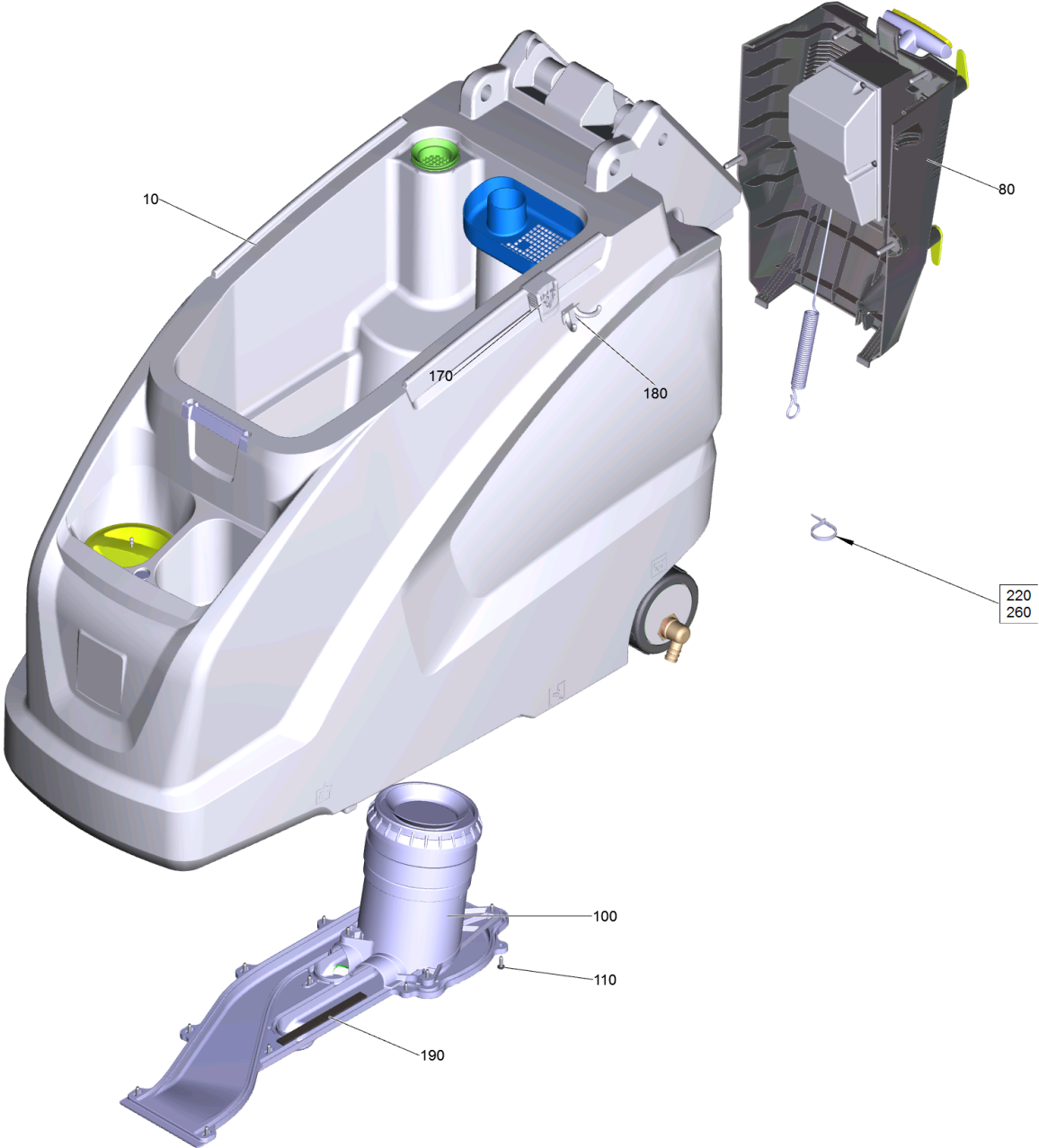
9000 Set universal hook (4.070-075.0)

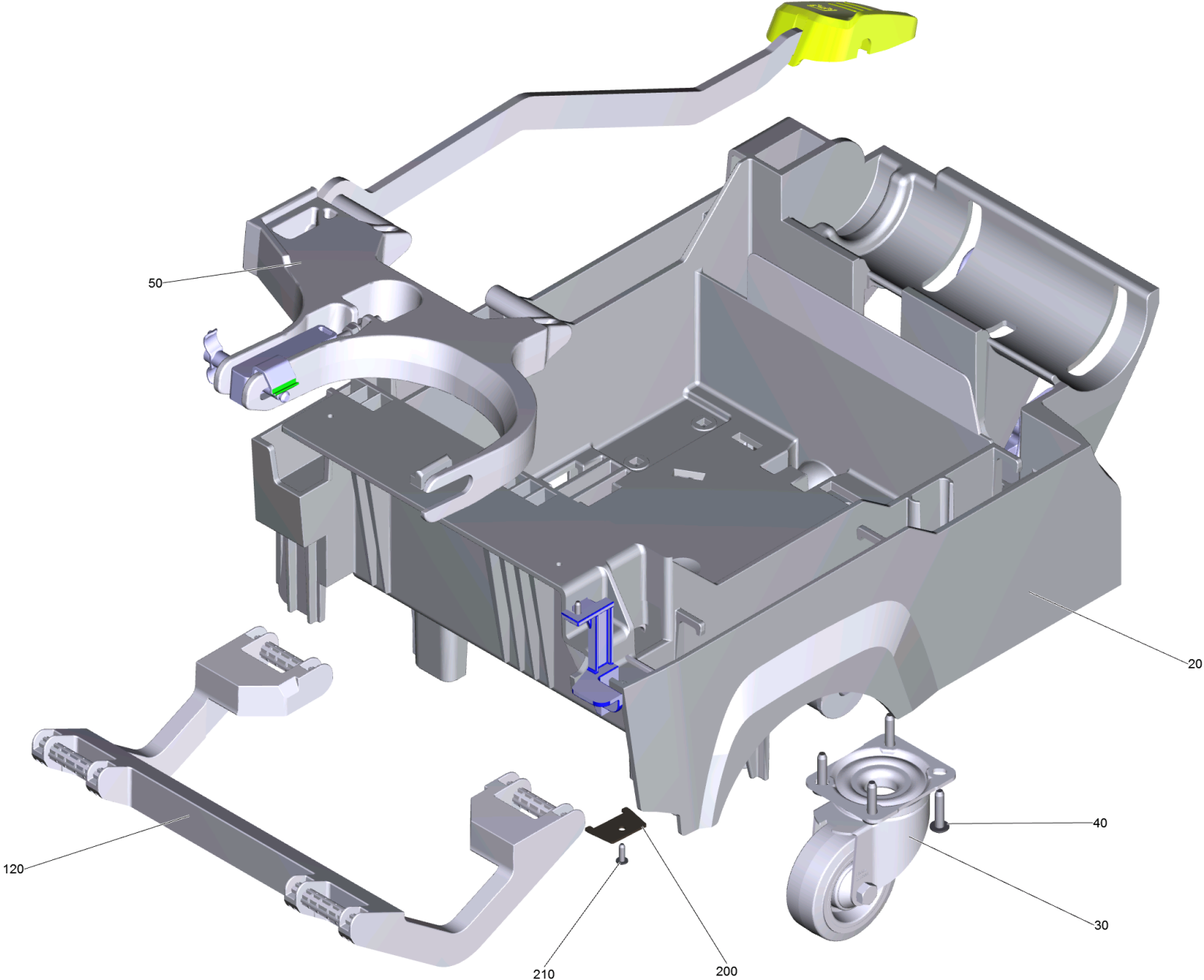
POS	Article no.	Description	Quantity	Unit
10	5.037-360.0	Hook Puzzi Home Base	1	PC
20	5.035-488.0	Adapter Homebase	1	PC

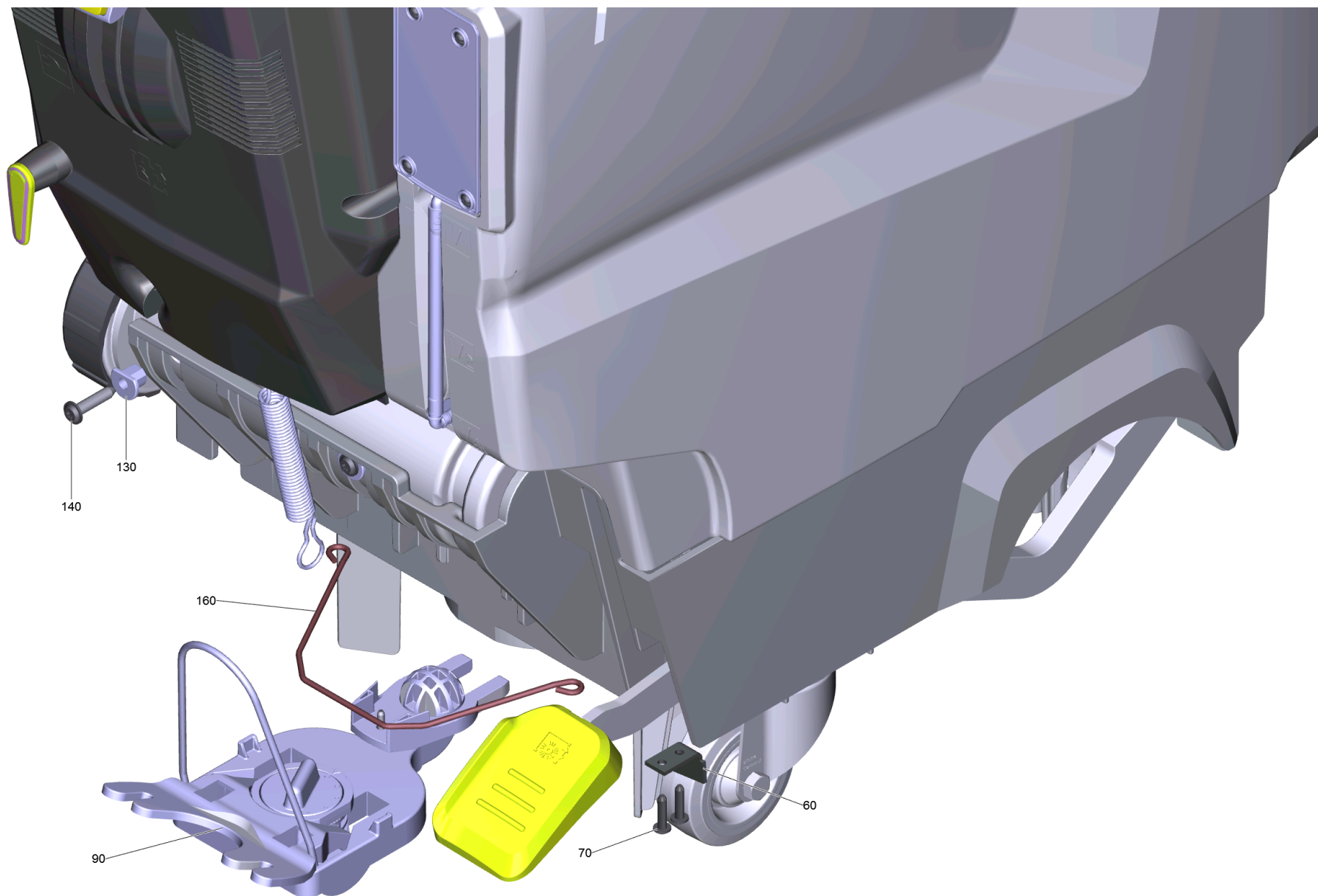


30 B 40 C Bp (2.533-202.0)

POS	Article no.	Description	Quantity	Unit	Foot note text
10		Basic machinery B 40	1	PC	
20		Control panel complete BAT C	1	PC	
30	6.303-315.0	Screw 8 x 35	4	PC	
40		Electric equipment B40 C Bp Dose	1	PC	OLD VERSION
40		Electric equipment B40 C BP Dose CAN	1	PC	NEW VERSION
42	6.373-877.0	Hose clip	1	PC	
50	5.035-450.0	Bearing bush electronics	2	PC	
51	5.035-433.0	Adapter	2	PC	
60	7.303-107.0	Screw 5x16 -10.9-P2R (K-In6Rd)	4	PC	
70		Axle complete	1	PC	
100	6.472-007.3	Solenoid valve 24 V	1	PC	
150	6.390-892.0	Spiral hose NW12	1	m	TO ORDER AS CUT GOODS
151	6.641-474.0	Cable tape 8-210	1	PC	
160	6.390-892.0	Spiral hose NW12	1	m	TO ORDER AS CUT GOODS
170	5.443-375.0	Hose stem	1	PC	
180	6.362-170.0	O-Ring seal 11,3 X 2,4-NBR 70	1	PC	
240	6.641-463.0	Cable tape	2	PC	
300	6.644-618.0	Pole binder	1	PC	
310	5.394-852.0	Covering cap battery terminal	1	PC	
1020		Documentation C Bp	1	PC	
9520	2.815-099.0	Battery kit Gel 2x 12V/76Ah	1	SET	
9521	2.815-100.0	Battery kit Gel 2x 12V/105Ah	1	SET	
9522	2.815-090.0	Battery kit AGM 2x 12V/80Ah	1	SET	
9523	2.638-036.0	Mounting kit battery kit	1	PC	
9530	2.815-091.0	Battery kit AGM 2x 12V/115Ah	1	SET	
9531	2.638-059.0	Mounting kit battery kit	1	PC	

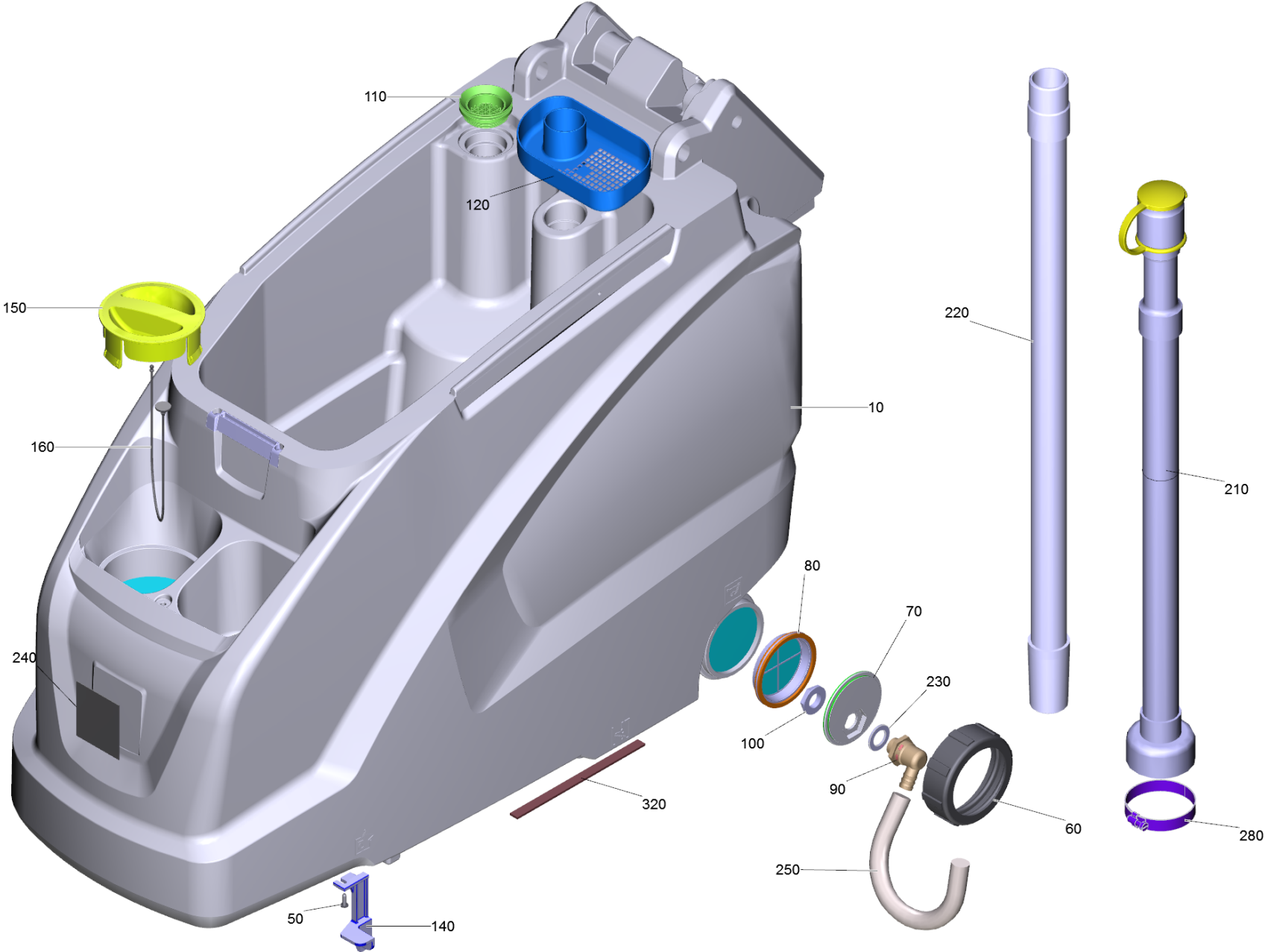


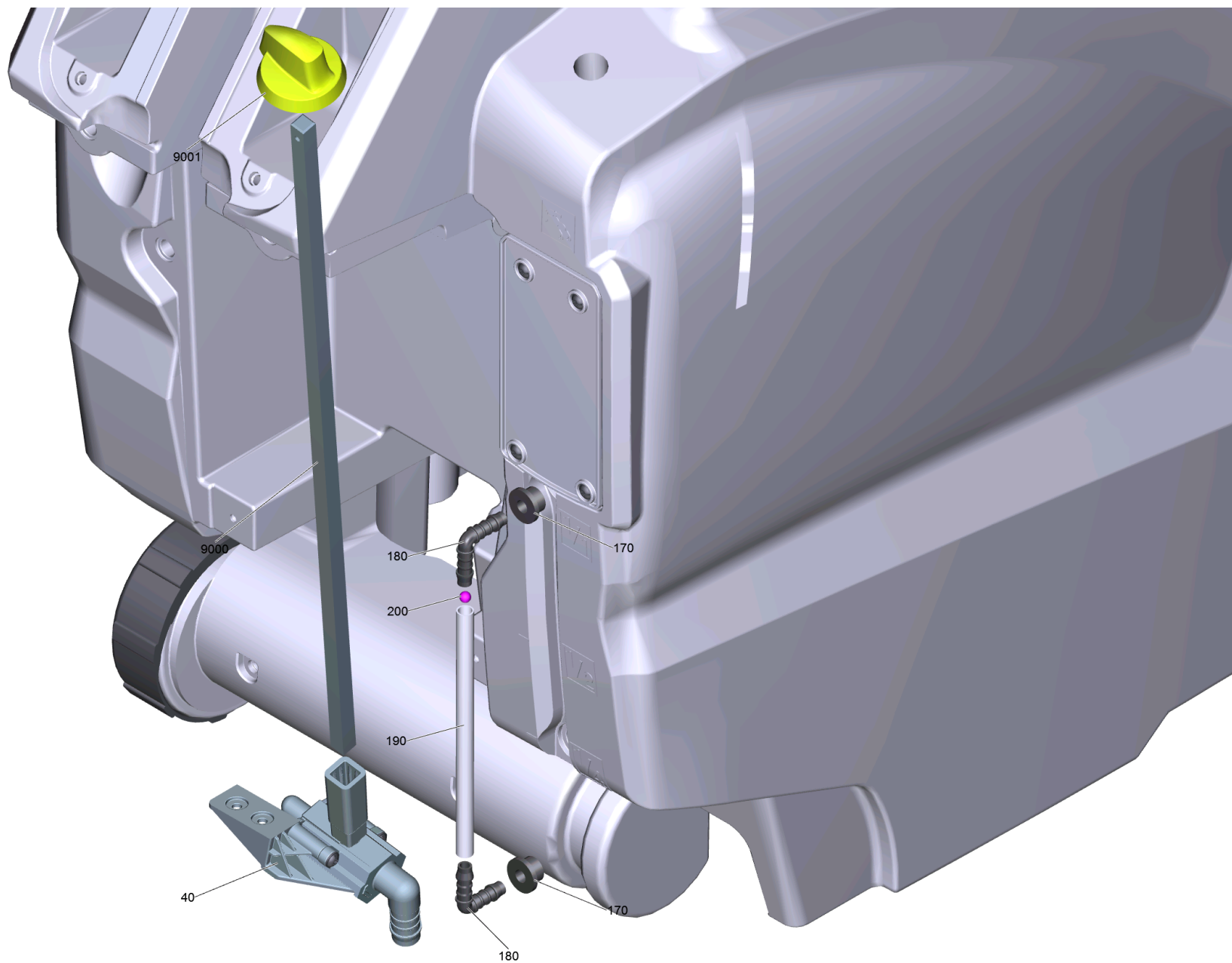


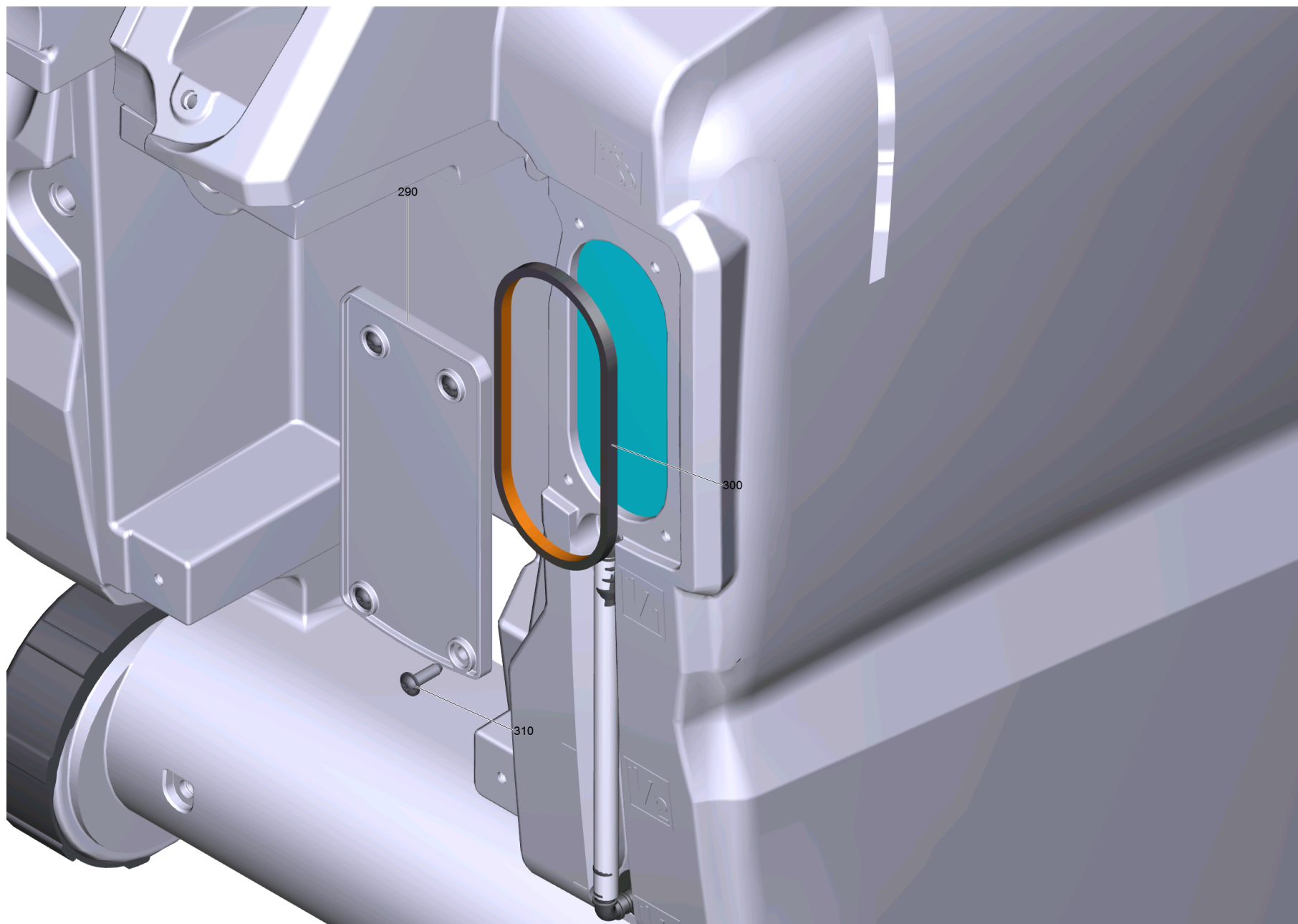


10 Basic machinery B 40

POS	Article no.	Description	Quantity	Unit	Foot note text
10	4.035-335.0	Tank complete	1	PC	
20	5.035-350.0	Frame B40	1	PC	
30	6.435-011.3	Castor	2	PC	
40	6.303-315.0	Screw 8 x 35	8	PC	
50		Suspension brush-head complete	1	PC	
60	5.035-361.0	Sheet metal component	1	PC	
70	7.303-109.0	Screw 5x25 -10.9-R2R (In6Rd)	2	PC	
80		Covering cap rear complete	1	PC	
90		Suction bar lifting complete	1	PC	
100		Vacuum motor	1	PC	
110	7.303-107.0	Screw 5x16 -10.9-P2R (K-In6Rd)	13	PC	
120	5.035-334.0	Retaining bracket connecting rod	1	PC	
130	5.035-522.0	Sleeve	3	PC	
140	6.303-315.0	Screw 8 x 35	3	PC	
160	5.035-440.0	Wire spring	1	PC	
170	5.035-488.0	Adapter Homebase	1	PC	
180	6.980-077.0	Double hook	1	PC	
190	6.273-090.0	Sealing tape 13x3	1	m	TO ORDER AS CUT GOODS
200	5.035-726.0	Plate	1	PC	
210	7.303-107.0	Screw 5x16 -10.9-P2R (K-In6Rd)	1	PC	
220	6.641-465.0	Cable tape	1	PC	
260	6.647-081.0	Cable tape	1	PC	

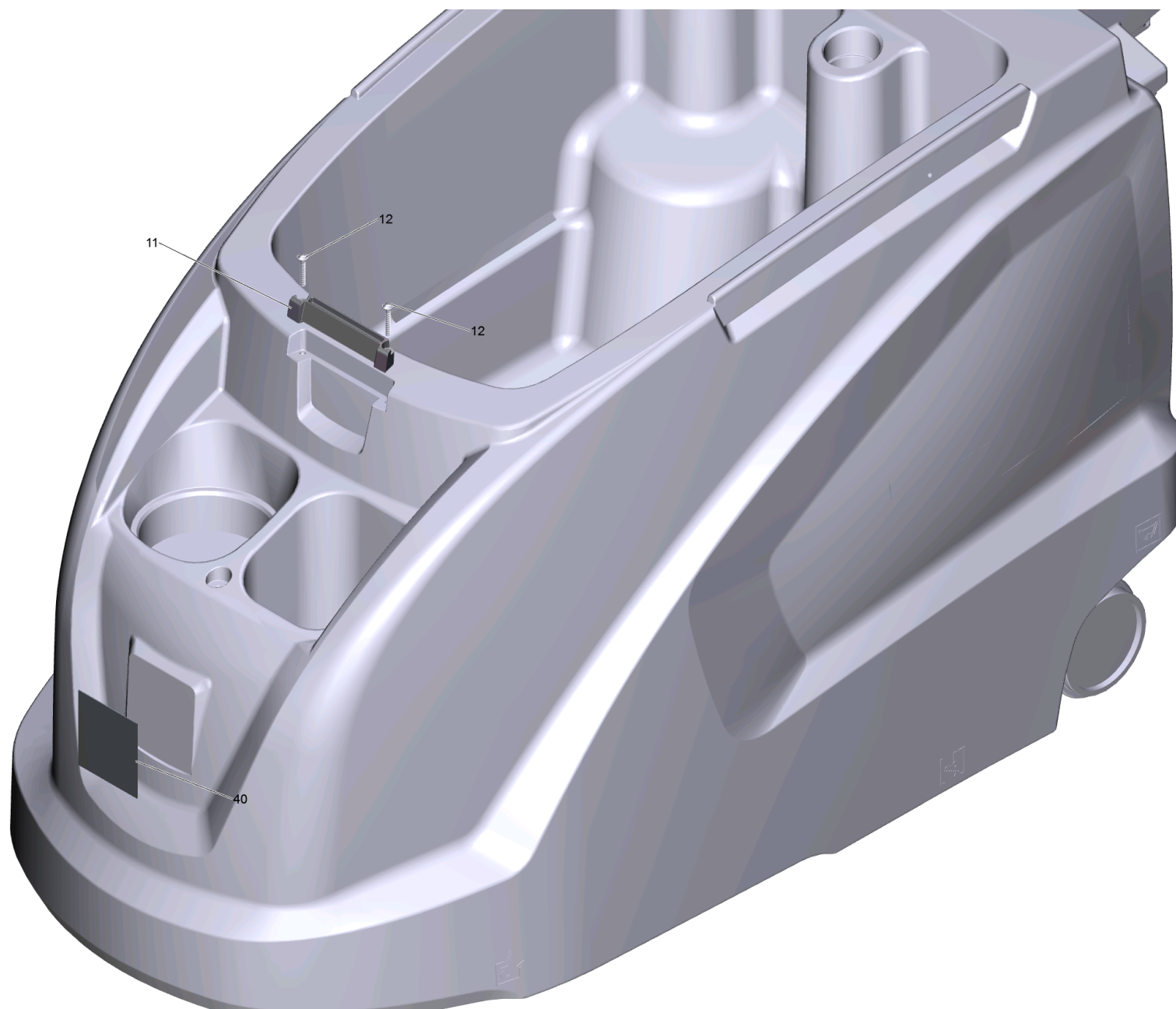






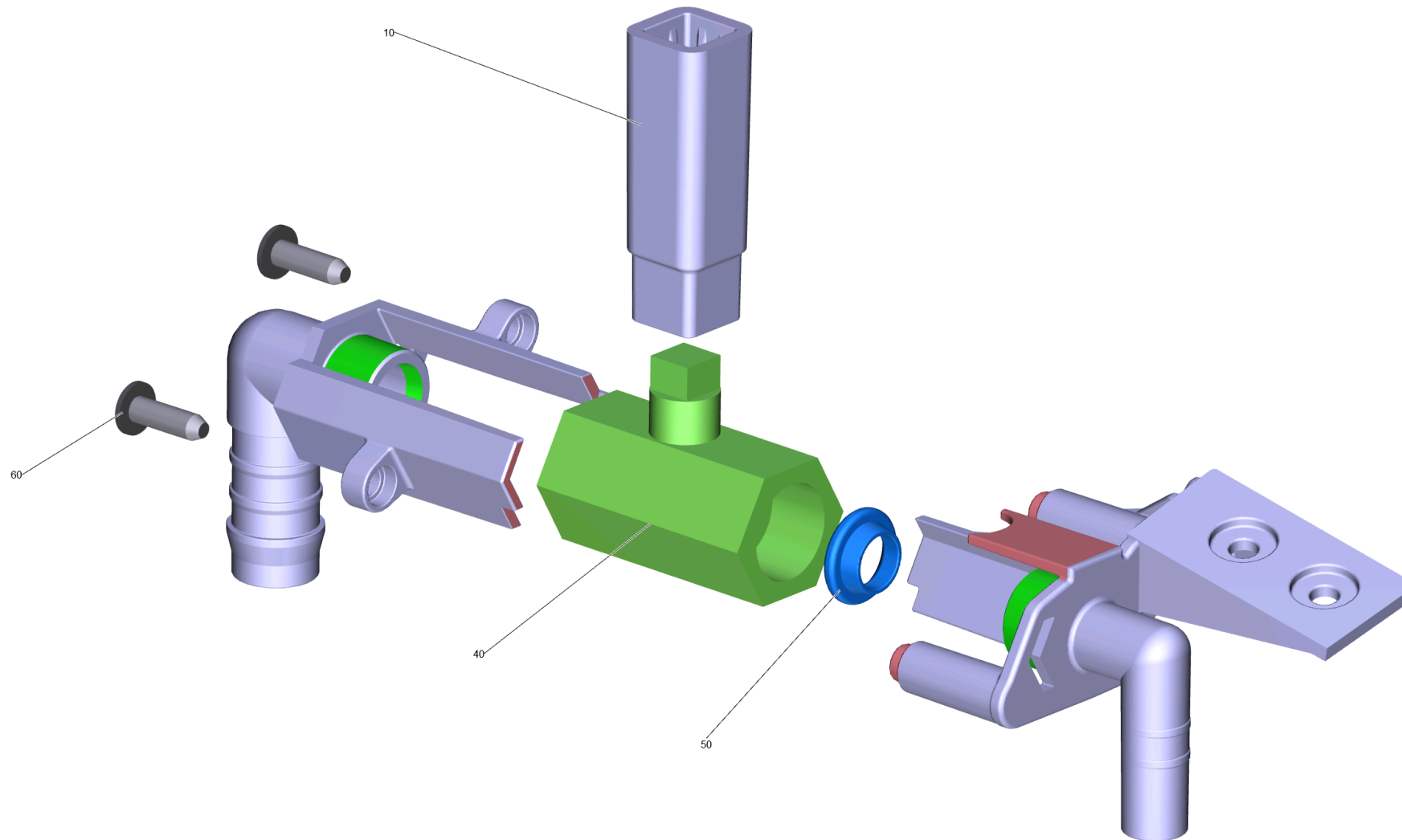
10 Tank complete (4.035-335.0)

POS	Article no.	Description	Quantity	Unit	Foot note text
10	4.035-429.0	Tank replacement B40	1	PC	
40	4.035-426.0	Ball valve complete replacement	1	PC	
50	7.303-107.0	Screw 5x16 -10.9-P2R (K-In6Rd)	3	PC	
60	5.035-341.0	Cover fresh water tank discharge	1	PC	
70	5.035-342.0	Hose connection fresh water discharge	1	PC	
80	5.035-376.0	Filter discharge	1	PC	
90	6.395-163.3	Angle bushing G1-2	1	PC	
100	6.310-004.0	Hexagon nut G 1/2"	1	PC	
110	5.515-266.0	Joint ring fluffing strainer	1	PC	
120	5.036-932.0	Tank bulk waste yellow	1	PC	
140	5.035-435.0	Tank locking part	1	PC	
150	5.034-099.0	Cover fresh water metering RM	1	PC	
160	5.035-358.0	Mounting rope cover fresh water tank	1	PC	
170	5.035-608.0	Wire protecting sleeve	2	PC	
180	6.391-913.0	Elbow nipple	2	PC	
190	5.035-328.0	Silicon hose level indicator	1	PC	
200	6.035-072.0	Sphere level indicator D6	1	PC	
210	4.035-285.0	Drain hose with cover PU	1	PC	OIL RESISTANT
220	6.392-471.0	Suction hose PU DN32	1	PC	
230	5.515-253.0	Seal D34	1	PC	
240	5.394-081.0	Label signet gel 78x86	1	PC	
250	6.390-324.0	Hose DN16	1	m	TO ORDER AS CUT GOODS
280	6.388-767.0	Hose clip 70- 90	1	PC	
290	4.035-370.0	Screen filling system	1	PC	
300	5.035-418.0	Seal fixing plate	1	PC	
310	7.303-107.0	Screw 5x16 -10.9-P2R (K-In6Rd)	4	PC	
320	6.273-043.0	Sealing tape cellularrubber 9x4	1	m	TO ORDER AS CUT GOODS
9000	5.035-369.0	Bar	1	PC	
9001	5.035-404.0	Handle	1	PC	



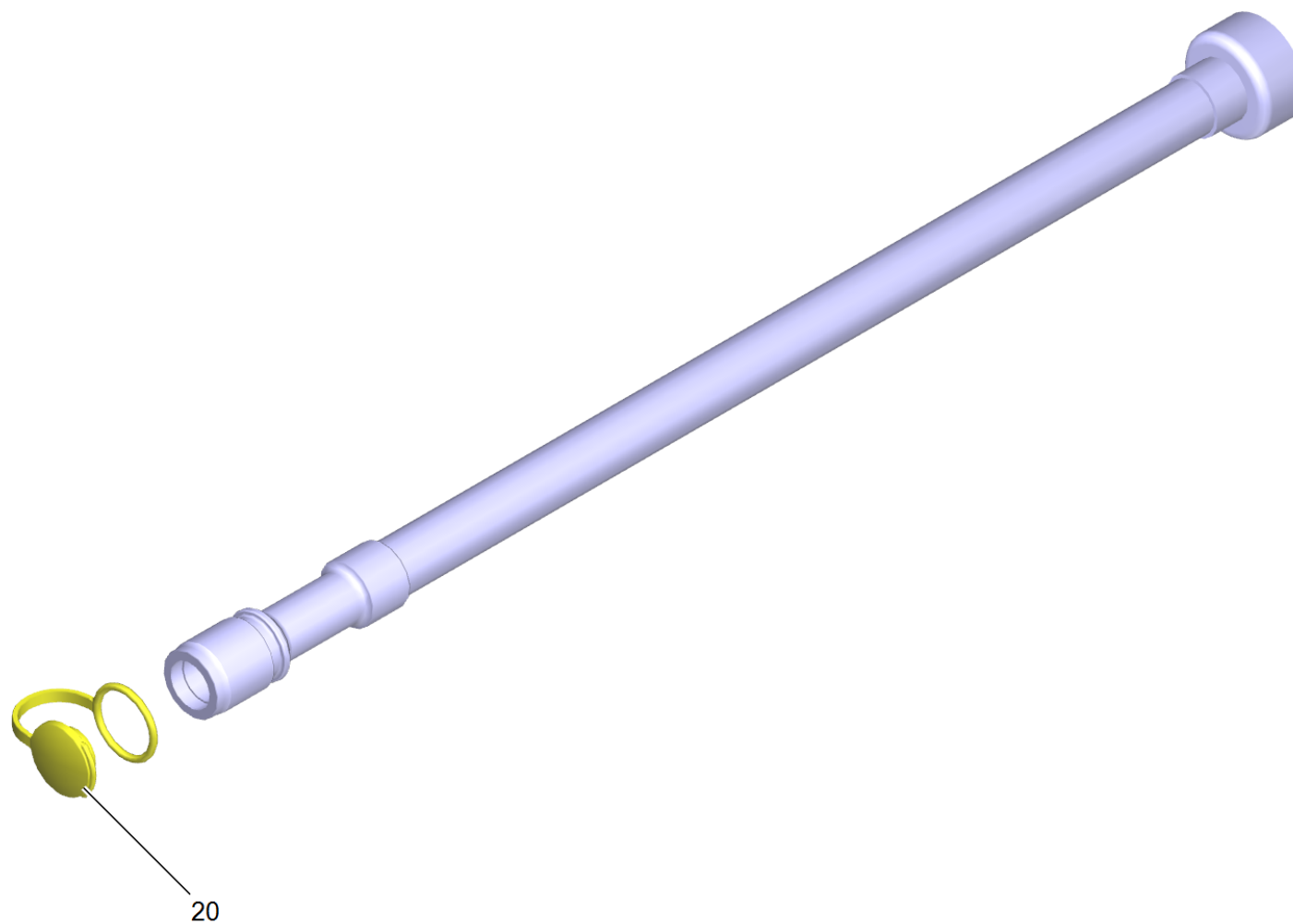
10 Tank replacement B40 (4.035-429.0)

POS	Article no.	Description	Quantity	Unit
11	5.035-482.0	Add-on part tank cover	1	PC
12	7.303-086.0	Screw 5x30 -10.9-R2R (K-In6Rd)	2	PC
40	5.394-081.0	Label signet gel 78x86	1	PC



40 Ball valve complete replacement (4.035-426.0)

POS	Article no.	Description	Quantity	Unit
10	5.035-459.0	Coupler piece ball valve	1	PC
40	6.413-586.0	Ball valve without handhold	1	PC
50	5.035-770.0	Seal ball valve	2	PC
60	7.303-107.0	Screw 5x16 -10.9-P2R (K-In6Rd)	2	PC

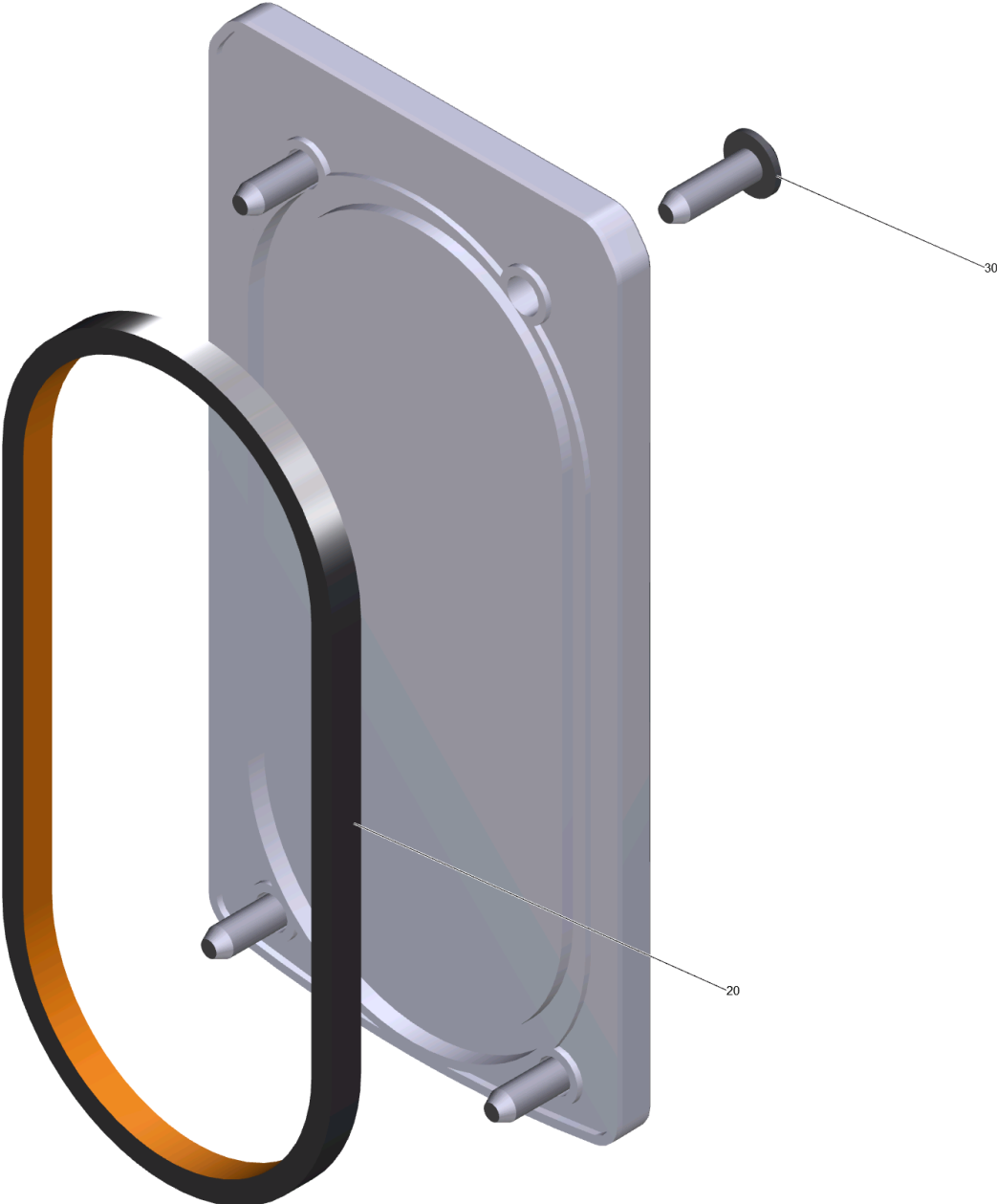


210 Drain hose with cover PU (4.035-285.0)

POS	Article no.	Description	Quantity	Unit
20	5.036-249.0	Cover plate drain hose yellow PU	1	PC

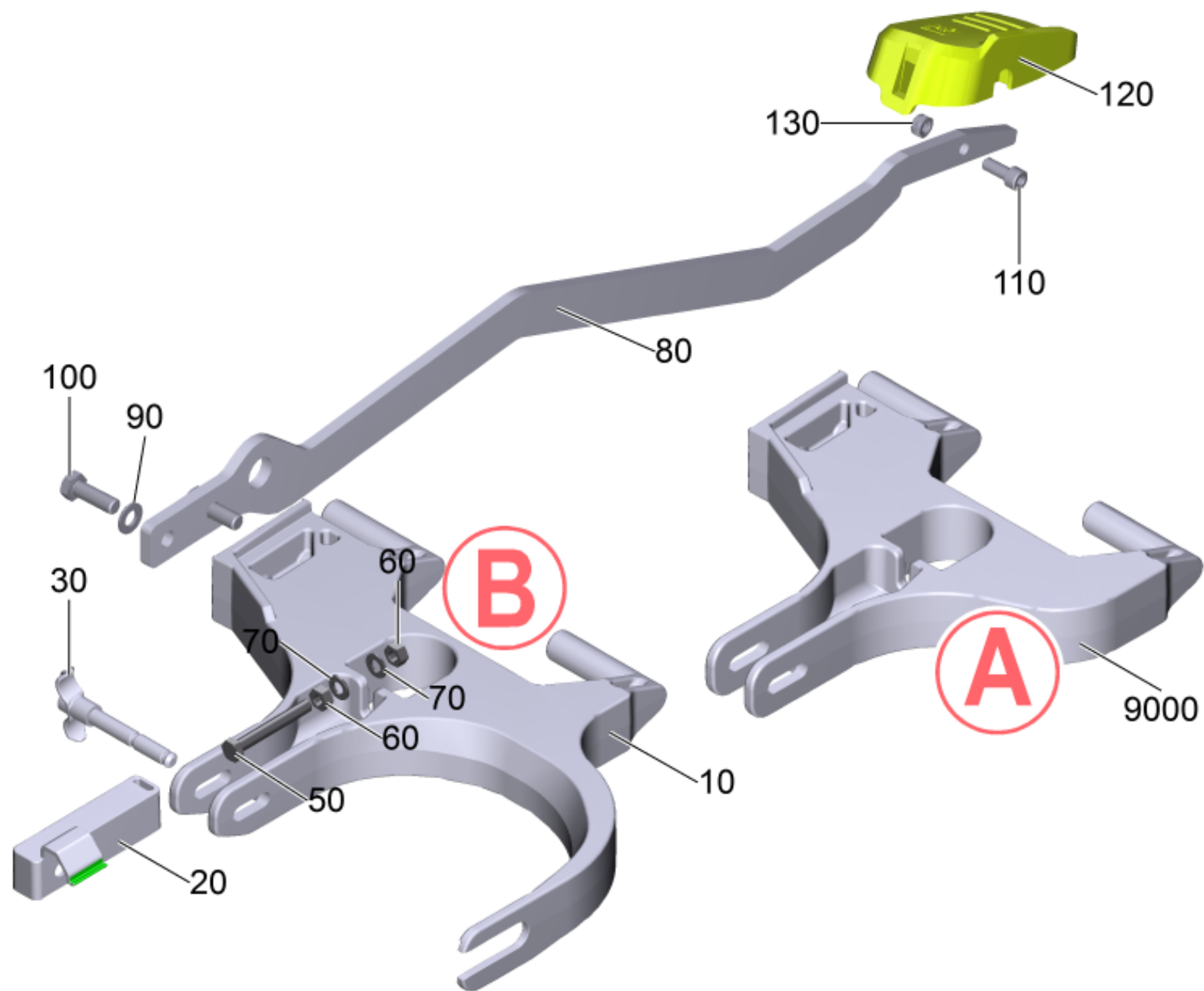
290 Screen filling system (4.035-370.0)

POS	Article no.	Description	Quantity	Unit
10	4.035-370.7	Screen filling system	1	PC



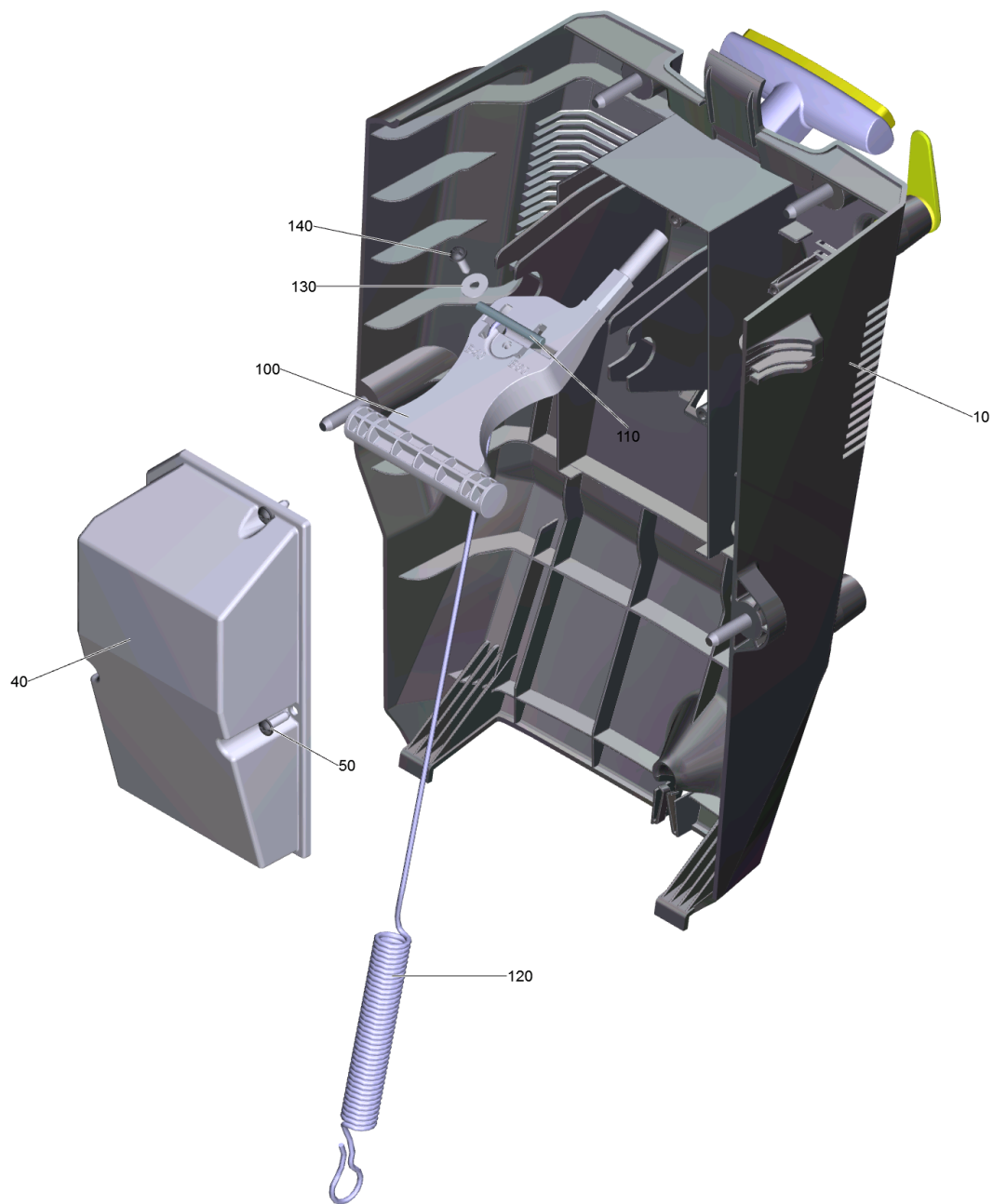
10 Screen filling system (4.035-370.7)

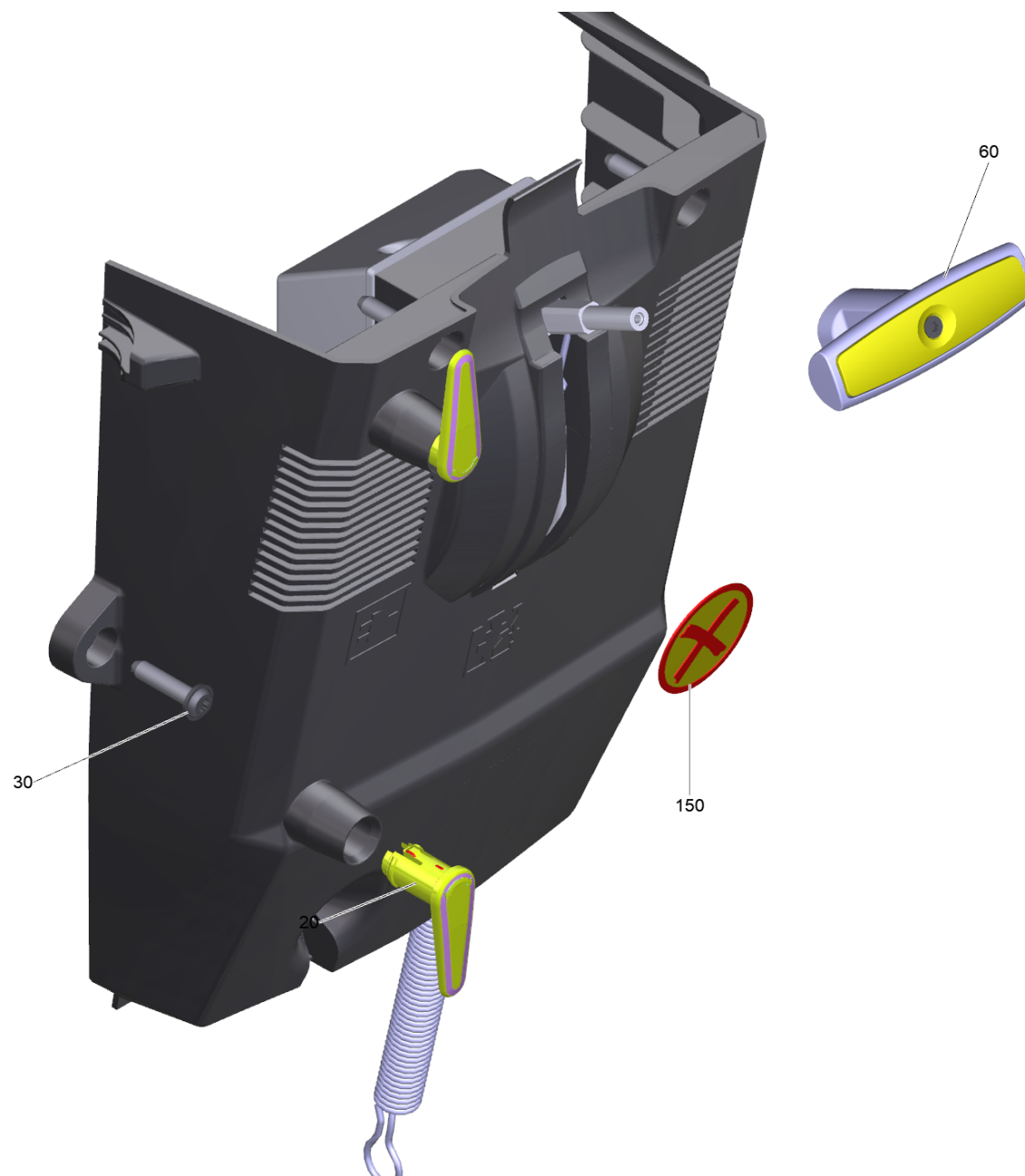
POS	Article no.	Description	Quantity	Unit
20	5.035-418.0	Seal fixing plate	1	PC
30	7.303-107.0	Screw 5x16 -10.9-P2R (K-In6Rd)	4	PC



50 Suspension brush-head complete

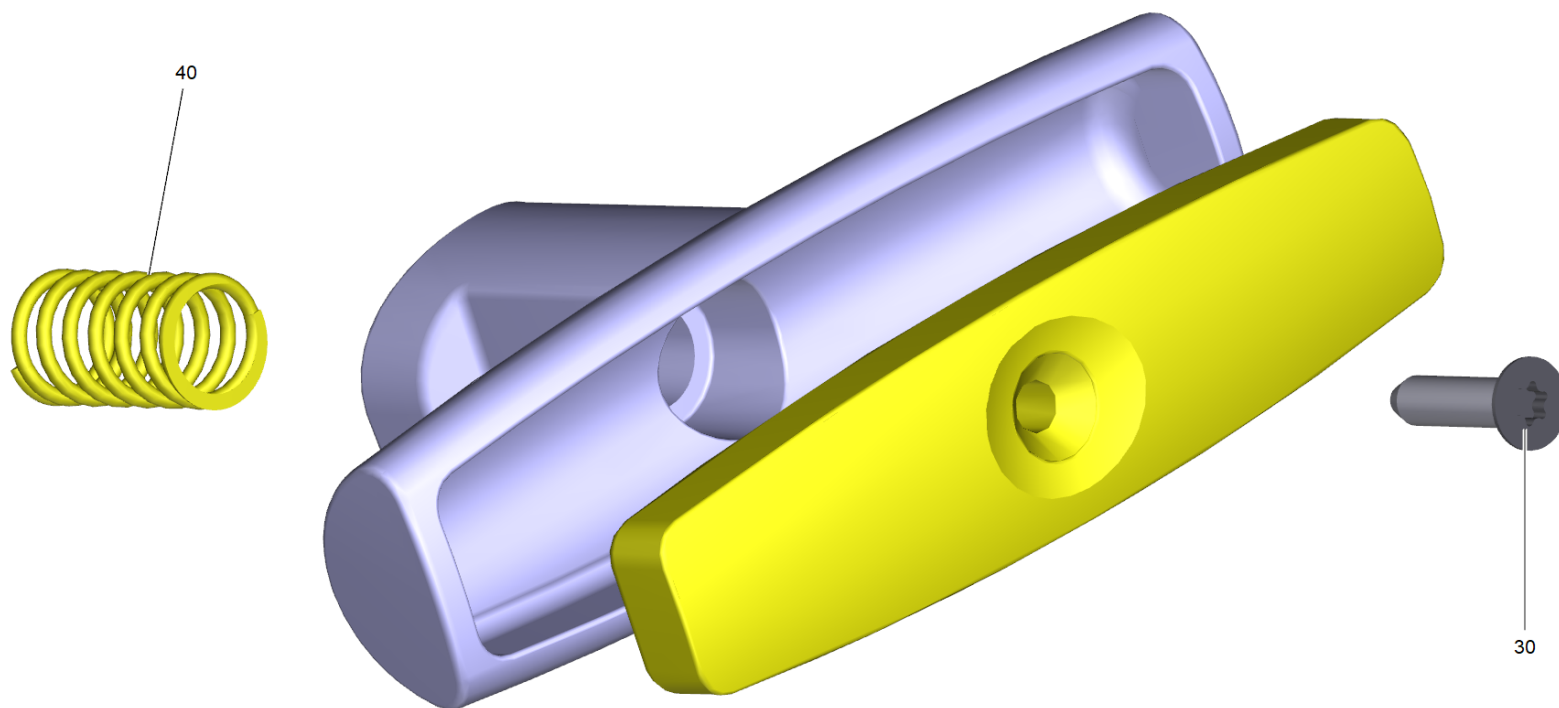
POS	Article no.	Description	Quantity	Unit	Foot note text
10	5.035-675.0	Suspension brush-head triple	1	PC	VERSION B
20	5.035-377.0	Adjusting element brush-head	1	PC	
30	5.035-865.0	Handhold bolt brush-head	1	PC	
50	7.304-262.0	Hexagonal head screw M8x60-A4-70 ISO 40	1	PC	
60	7.311-068.0	Hexagon nut M 8-A2-70 ISO 4032	2	PC	
70	7.312-004.0	Washer 8 -200HV-A3E ISO 7089	2	PC	
80	5.035-370.0	Lever plate brush-head	1	PC	
90	7.312-005.0	Washer 10-200HV-A3E ISO 7089	2	PC	
100	7.304-417.0	Hexagonal head screw M10x30-8.8-A3E ISO	2	PC	
110	7.306-041.0	Cylinder head screw M8x20 -8.8-A2E ISO	1	PC	
120	5.035-374.0	Pedal brush-head	1	PC	
130	7.311-432.0	Hexagon nut M 8-1.4305 DIN 985	1	PC	
9000	2.882-733.0	Conversion kit suspension brush-head B40	1	PC	VERSION A





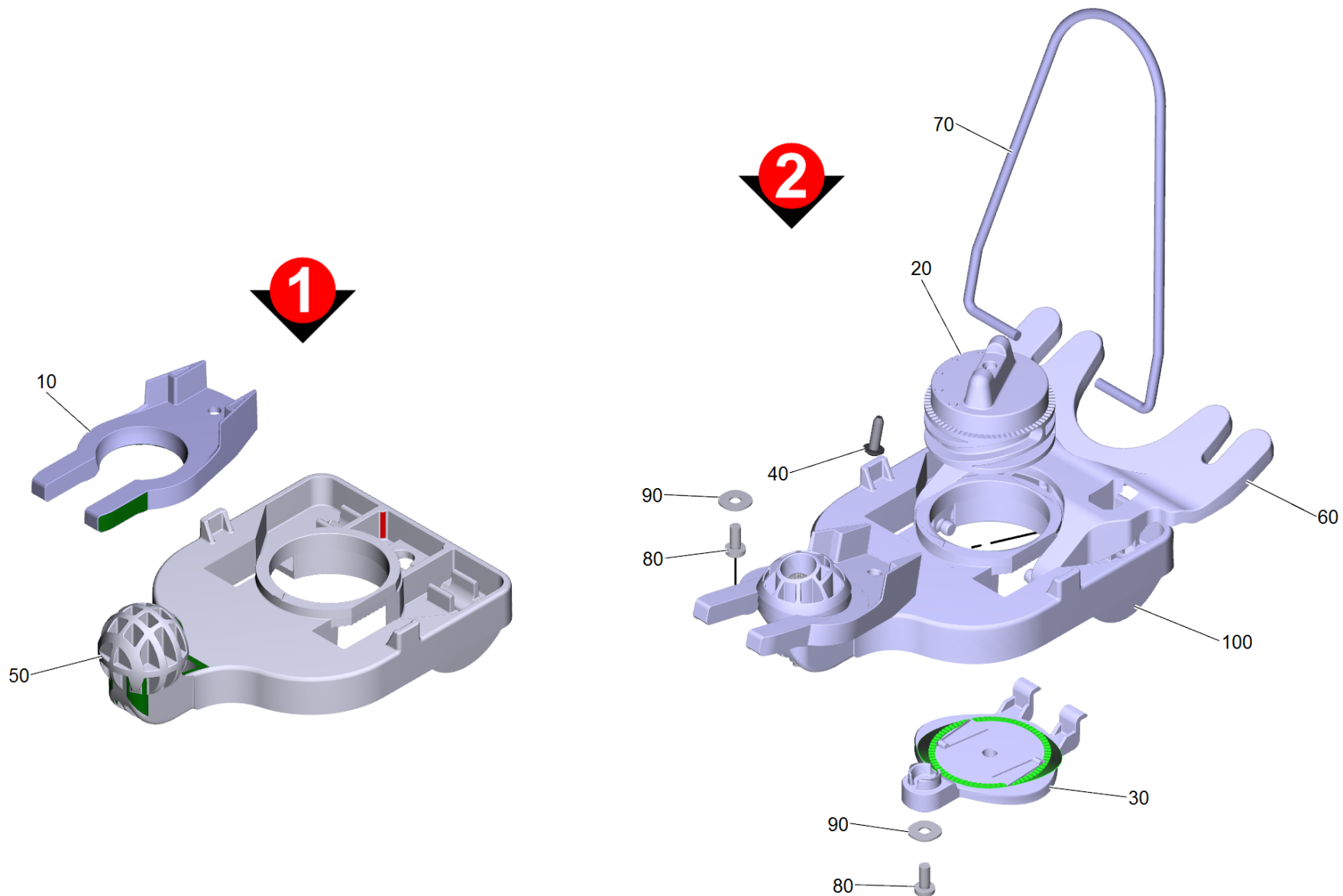
80 Covering cap rear complete

POS	Article no.	Description	Quantity	Unit
10	5.035-366.0	Covering cap	1	PC
20	5.044-661.0	Catch for cable yellow	2	PC
30	6.303-315.0	Screw 8 x 35	4	PC
40	5.035-446.0	Cover covering cap rear	1	PC
50	7.303-107.0	Screw 5x16 -10.9-P2R (K-In6Rd)	3	PC
60	4.035-612.0	Set handhold adjustment	1	PC
100	5.035-445.0	Lever suction bar	1	PC
110	5.035-453.0	Axle lever suction bar	1	PC
120	5.035-423.0	Extension spring	1	PC
130	7.312-282.0	Washer 5 -A2 ISO 7093-1	1	PC
140	7.303-107.0	Screw 5x16 -10.9-P2R (K-In6Rd)	1	PC
150	5.380-889.0	Warning sign BR-BD 750	1	PC



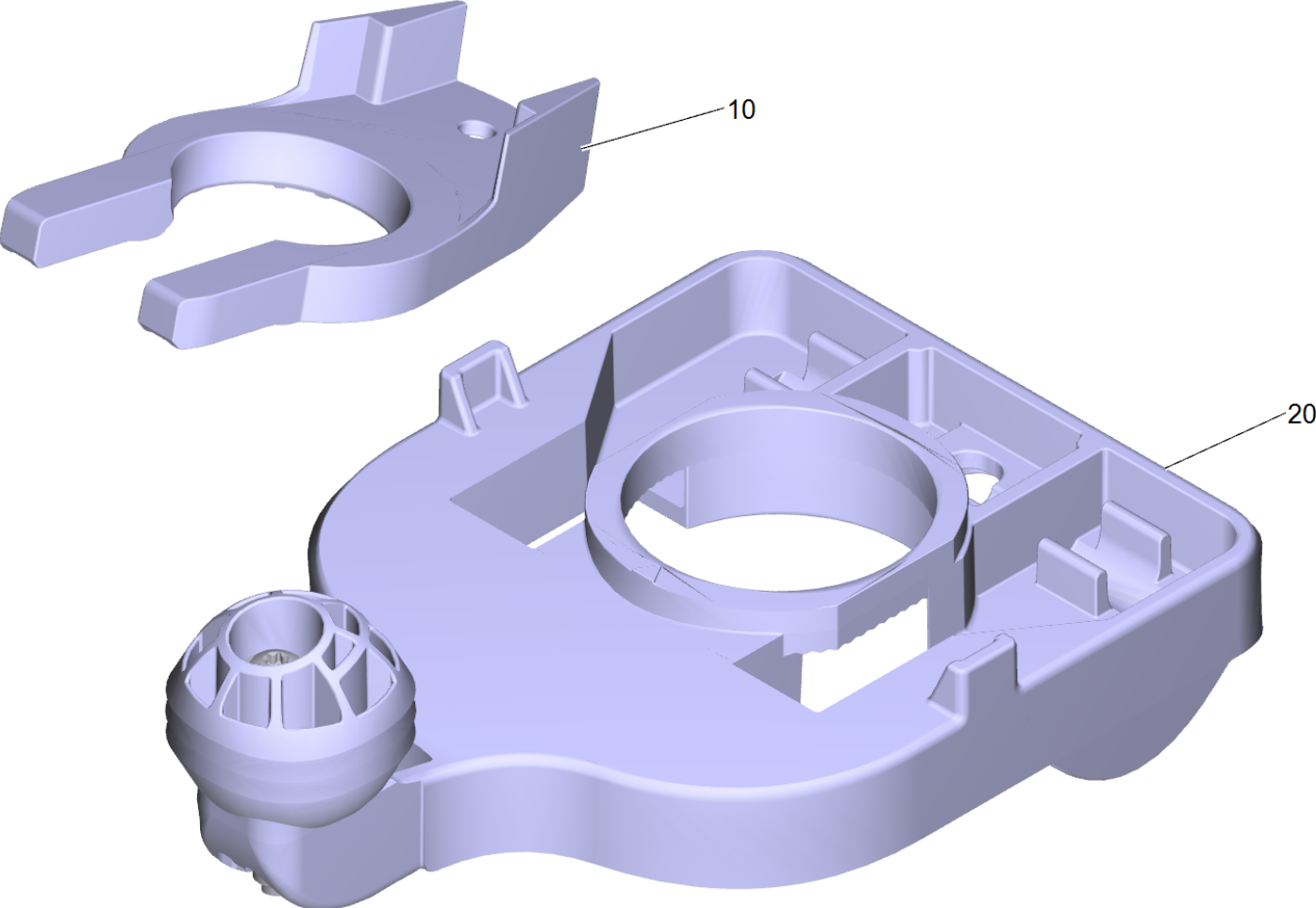
60 Set handhold adjustment (4.035-612.0)

POS	Article no.	Description	Quantity	Unit
30	7.303-128.0	Countersunk screw 5x20 -10.9-R2R (In6Rd)	1	PC
40	5.332-481.0	Helical spring	1	PC



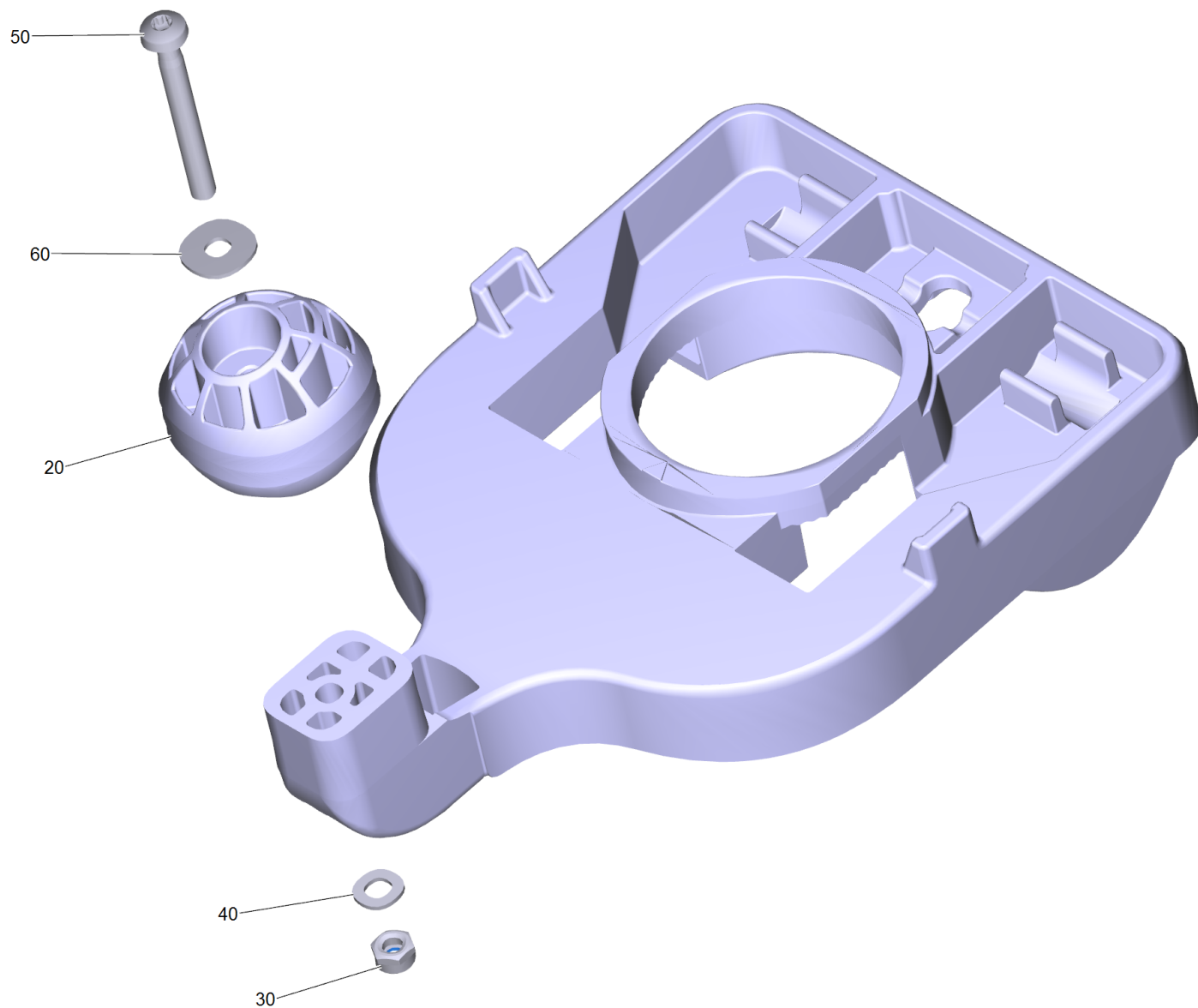
90 Suction bar lifting complete

POS	Article no.	Description	Quantity	Unit	Foot note text
10	7.777-999.0	Stockpiling discontinued	1	PC	VERSION 1
20	5.035-292.0	Adjusting knob suction bar toothing	1	PC	
30	5.035-293.0	Covering cap suction bar toothing	1	PC	
40	7.303-109.0	Screw 5x25 -10.9-R2R (In6Rd)	1	PC	
50	7.777-999.0	Stockpiling discontinued	1	PC	VERSION 1
60	5.036-103.0	Rocker suction bar	1	PC	
70	5.035-382.0	Retaining bracket suction bar	1	PC	
80	6.306-003.0	Screw M5X12-A2/70-ISO 14583 (IN6RD)	2	PC	with microencapsulation
90	7.312-282.0	Washer 5 -A2 ISO 7093-1	2	PC	
100	4.035-583.0	Holder suction bar complete	1	PC	VERSION 2



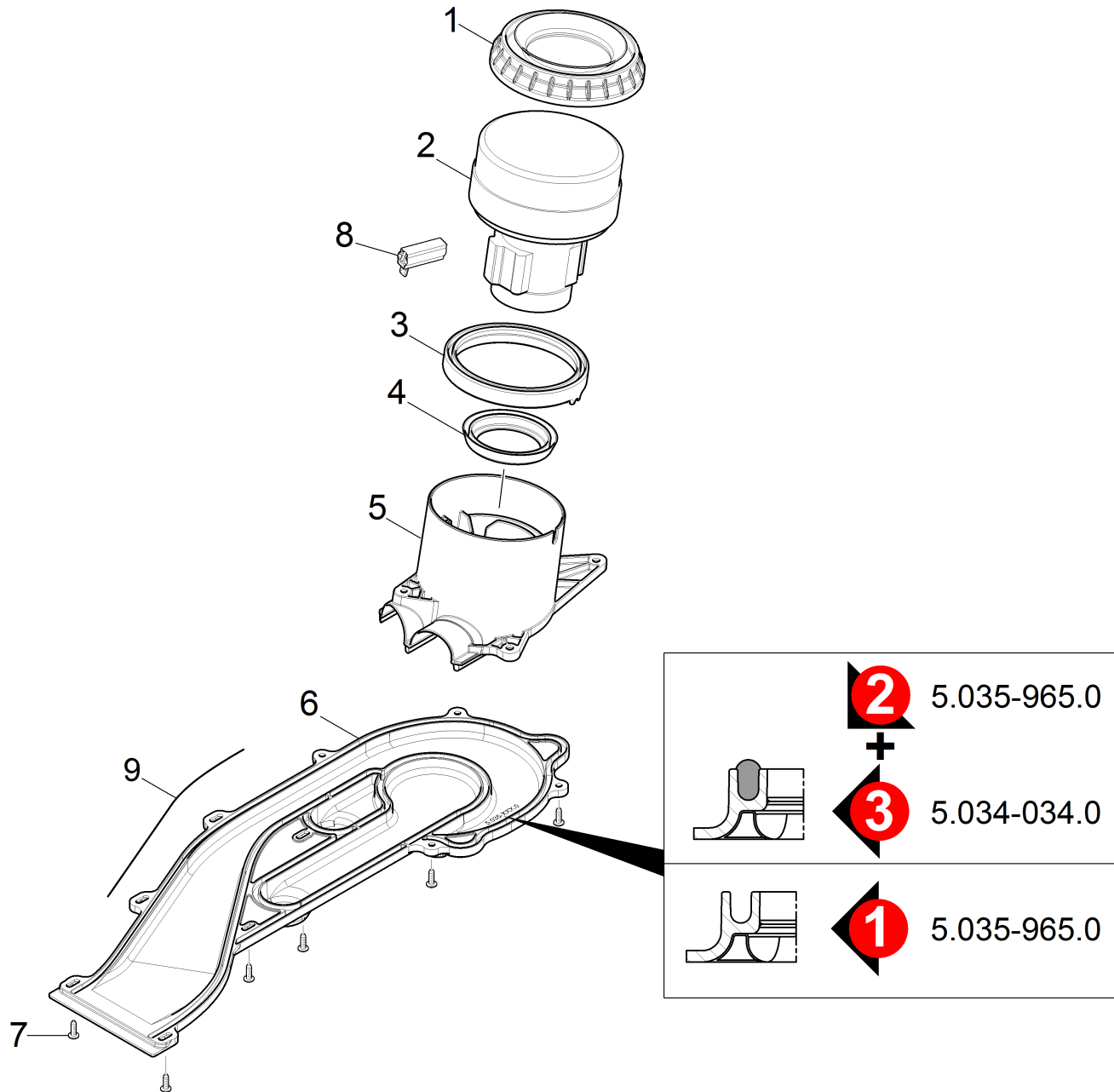
100 Holder suction bar complete (4.035-583.0)

POS	Article no.	Description	Quantity	Unit
10	5.005-005.0	FIXING PLATE SUCTION BAR ALU	1	PC
20	4.037-137.3	Holder suction bar	1	PC



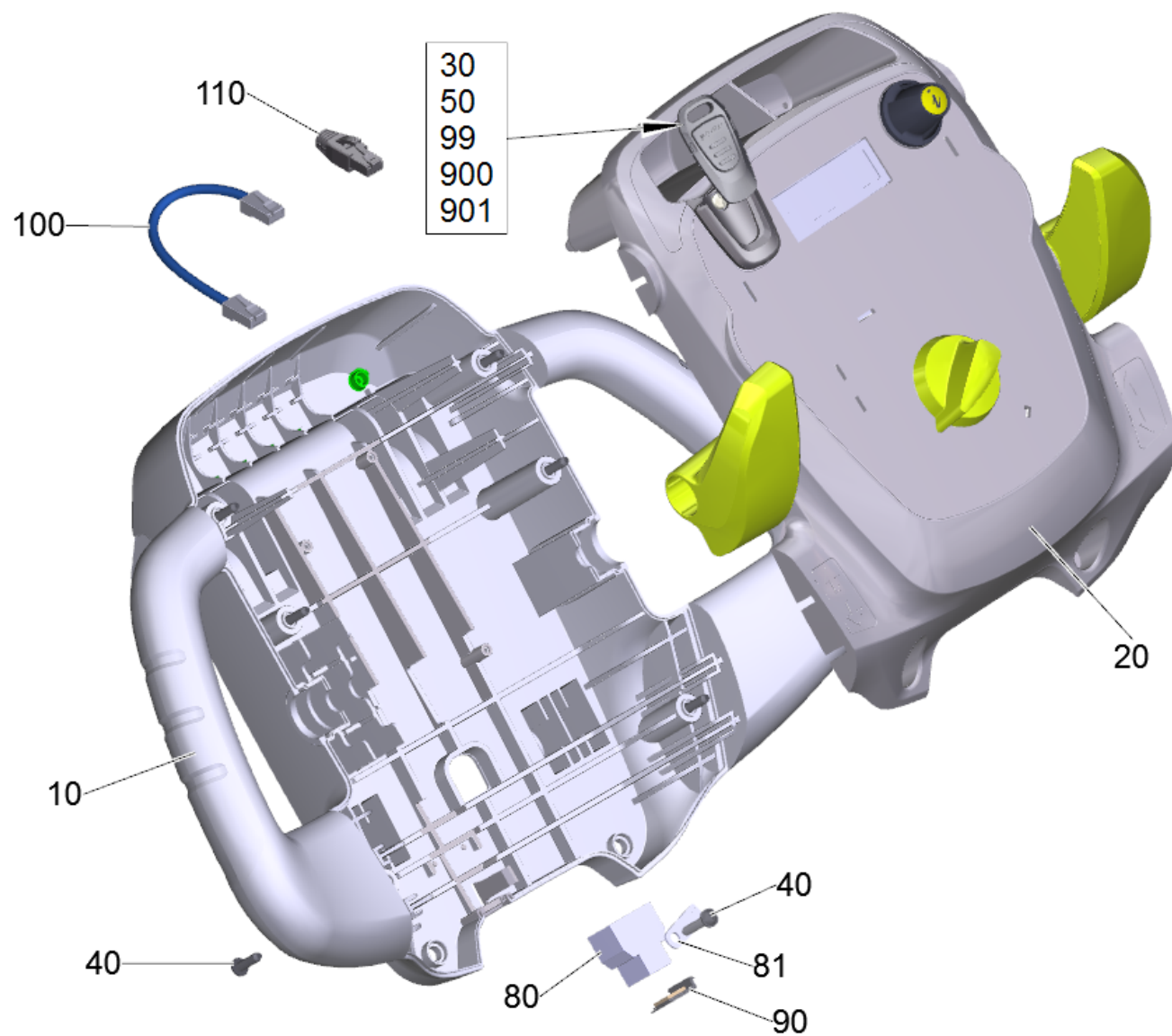
20 Holder suction bar (4.037-137.3)

POS	Article no.	Description	Quantity	Unit
20	5.037-579.0	Sphere suction bar suspension	1	PC
30	7.311-431.0	Hexagon nut M 5-1.4305 DIN 985	1	PC
40	7.312-052.0	Washer 5 -A2 ISO 7089	1	PC
50	7.306-215.0	Screw M5x45 -8.8-P2R (In6Rd)	1	PC
60	7.312-282.0	Washer 5 -A2 ISO 7093-1	1	PC

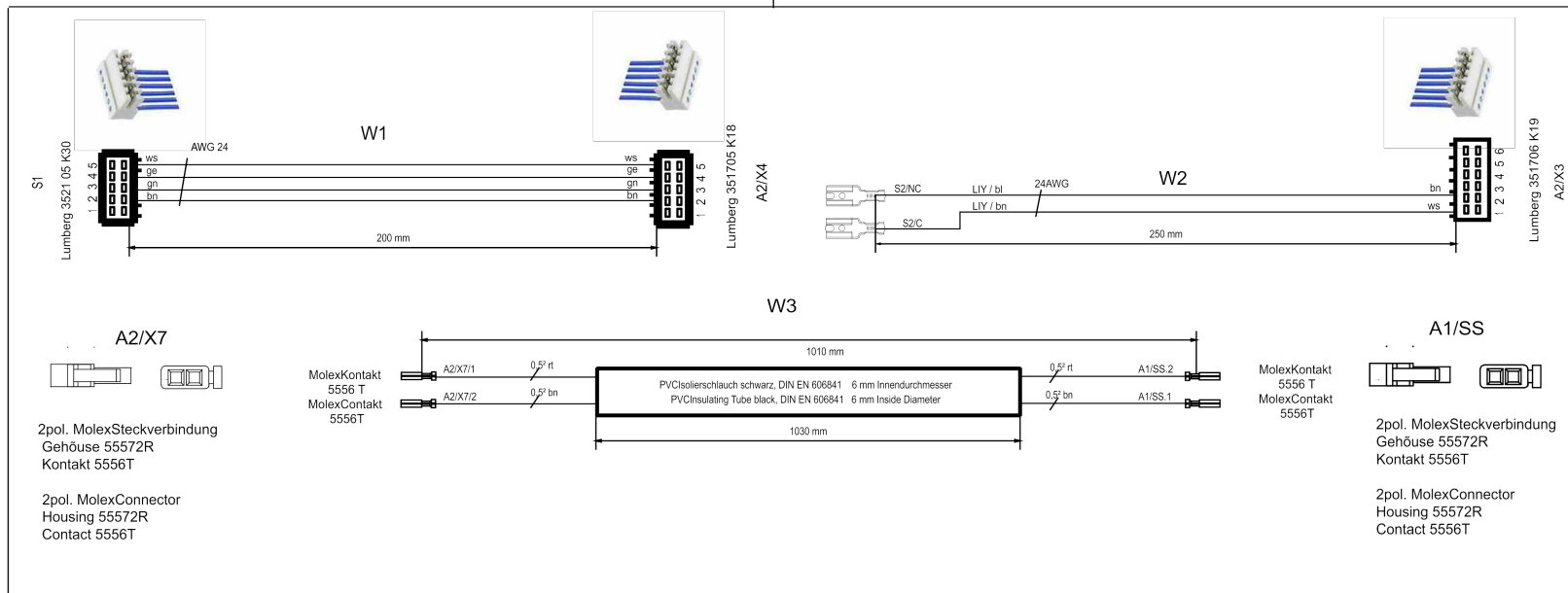


100 Vacuum motor

POS	Article no.	Description	Quantity	Unit	Remark	Foot note text
1	5.035-333.0	Bearing vacuum motor	1	PC		
2	4.035-580.0	Vacuum motor replacement	1	PC		
3	5.035-332.0	Joint ring turbine	1	PC		
4	5.363-395.0	Seal	1	PC		
5	5.034-032.0	Air circulation turbine bottom	1	PC		VERSION 2
5	5.035-964.0	Air circulation bottom turbine	1	PC		VERSION 1
6	4.034-009.0	Air circulation turbine replacement	1	PC		VERSION 2
6	5.034-034.0	Air circulation turbine above foamed	1	PC		VERSION 3
6	7.777-999.0	Stockpiling discontinued	1	PC		VERSION 1
7	7.303-107.0	Screw 5x16 -10.9-P2R (K-In6Rd)	8	PC		
8	6.490-011.0	Carbon brush set	1	PC	24 V	
9	6.273-196.0	Seal string cellular rubber	1	m		TO ORDER AS CUT GOODS

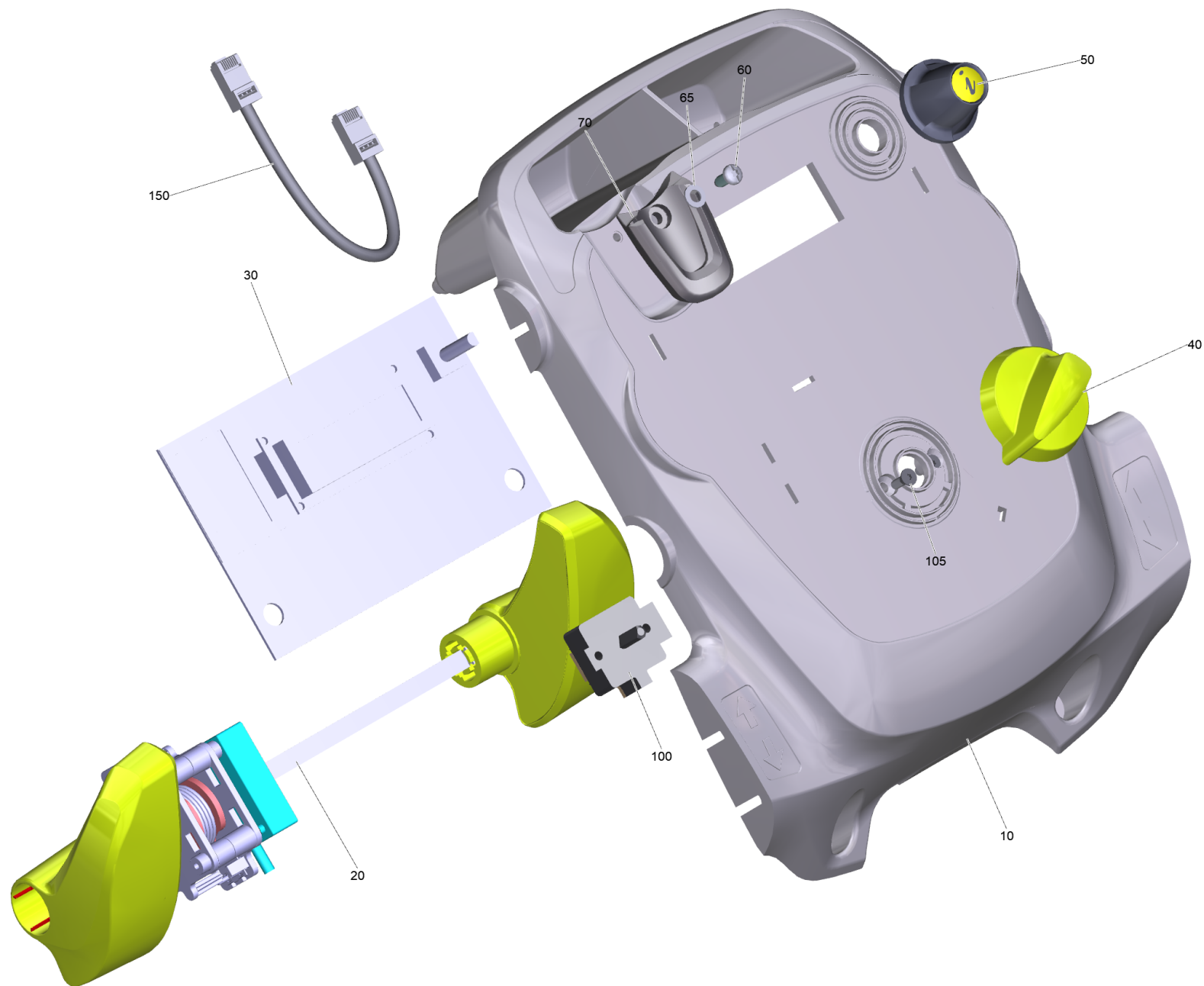


60



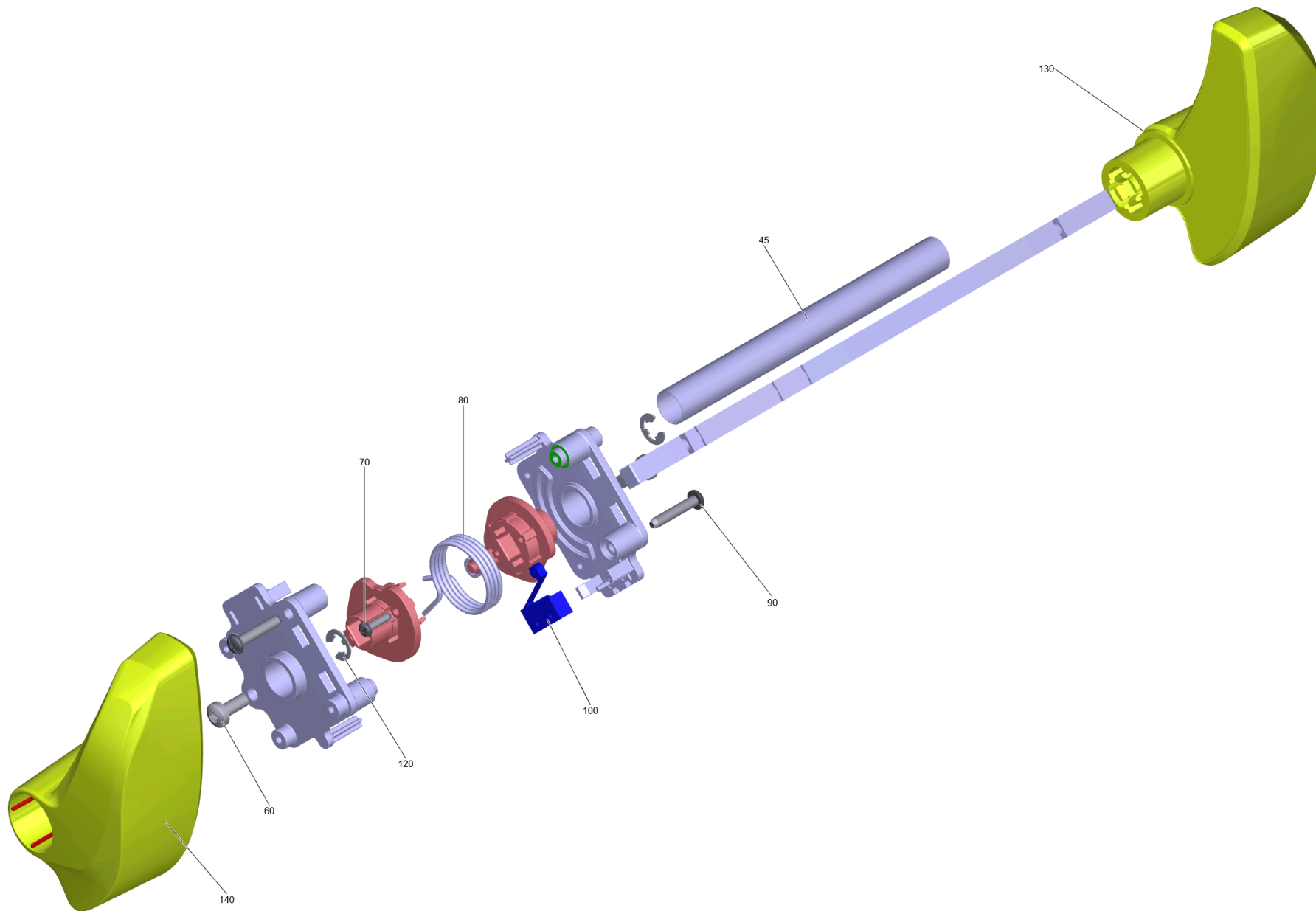
20 Control panel complete BAT C

POS	Article no.	Description	Quantity	Unit	Foot note text
10	4.035-130.0	Housing control panel replacement Bp C	1	PC	WITHOUT SLOT FOR 5.033-829.0
10	5.035-219.0	Housing bottom part control panel	1	PC	WITH SLOT FOR 5.033-829.0
20		Covering cap control panel complete BAT	1	PC	
30	5.035-344.0	Key yellow KIK	1	PC	
40	7.303-108.0	Screw 5x20 -10.9-R2R (In6Rd)	7	PC	
50	5.035-348.0	Key grey KIK	1	PC	
60	4.035-430.0	Cable harness control panel replacement	1	PC	
80	6.330-111.0	Adapter RJ45 Y-Splitter	1	PC	
81	5.035-196.0	Plate stiffener	1	PC	VERSION 2
90	5.033-829.0	Rubber stopper control panel	1	PC	
99	4.035-064.0	Set key white KIK	1	PC	SET WITH 5 PIECES
99	5.035-337.0	Key red KIK	1	PC	
100	6.882-000.0	Cable blue Patch	1	PC	
110	6.640-751.0	Adapter plug at the Y CAN	1	PC	
900	4.035-076.0	Key white KIK	1	PC	
901	4.035-408.0	Set key yellow KIK	1	PC	



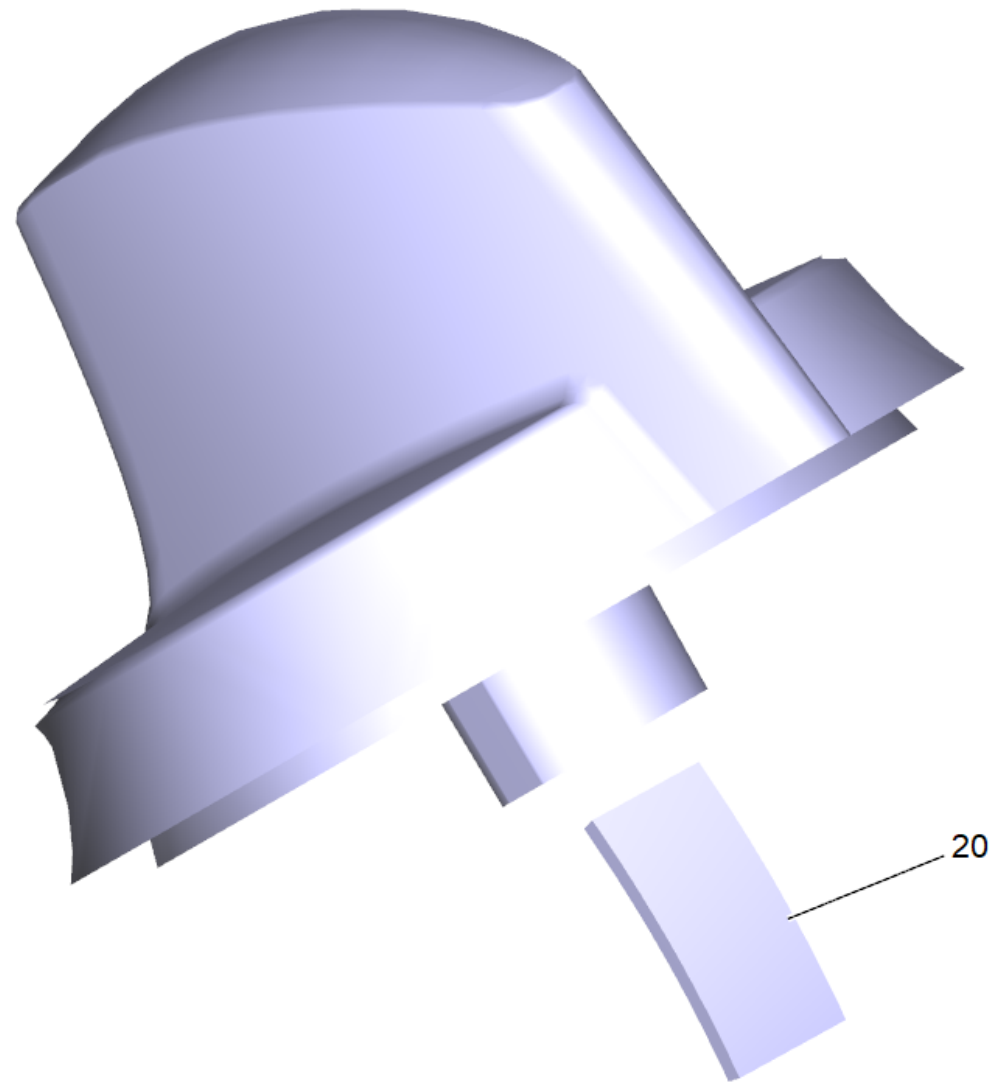
20 Covering cap control panel complete BAT

POS	Article no.	Description	Quantity	Unit	Foot note text
10	4.035-117.0	Covering cap control panel replacement B	1	PC	WITH SLOT FOR 5.033-829.0
10	4.035-412.0	Covering cap control panel foil Bp C	1	PC	WITHOUT SLOT FOR 5.033-829.0
20	4.035-984.0	Tachograph set Bp	1	PC	
30	4.683-310.0	Circuit board replacement C	1	PC	
40	4.035-608.0	Handhold operational concept complete	1	PC	
50	5.321-750.0	Handhold info panel	1	PC	
60	7.303-274.0	Screw 5x12 -A2-70 (In6Rd)	1	PC	
65	7.312-052.0	Washer 5 -A2 ISO 7089	1	PC	
70	5.035-343.0	Guide key	1	PC	
100	4.035-415.0	Switch program selection replacement	1	PC	
105	7.305-036.0	Countersunk screw M4x12 -A2-70-s (IN6RD	2	PC	
150	6.649-933.0	Cable Patch	1	PC	



20 Tachograph set Bp (4.035-984.0)

POS	Article no.	Description	Quantity	Unit	Foot note text
45	6.642-014.0	Insulating hose 13	1	m	TO ORDER AS CUT GOODS
60	7.306-394.0	Screw M5x12 -8.8-ZNBHL ISO 14583	2	PC	
70	6.303-557.0	Screw 3x12 Kombitorx T8	2	PC	
80	6.330-441.0	Torsion spring tachograph	1	PC	
90	7.303-096.0	Screw 4x22-ST-10.9-R2R (IN6RD)	2	PC	
100	6.630-732.0	Switch gold plated	1	PC	
120	7.343-201.0	Lock washer 6-FST-PHR DIN 6799	2	PC	
130	4.035-495.0	Tachograph right complete	1	PC	
140	4.035-496.0	Tachograph left complete	1	PC	

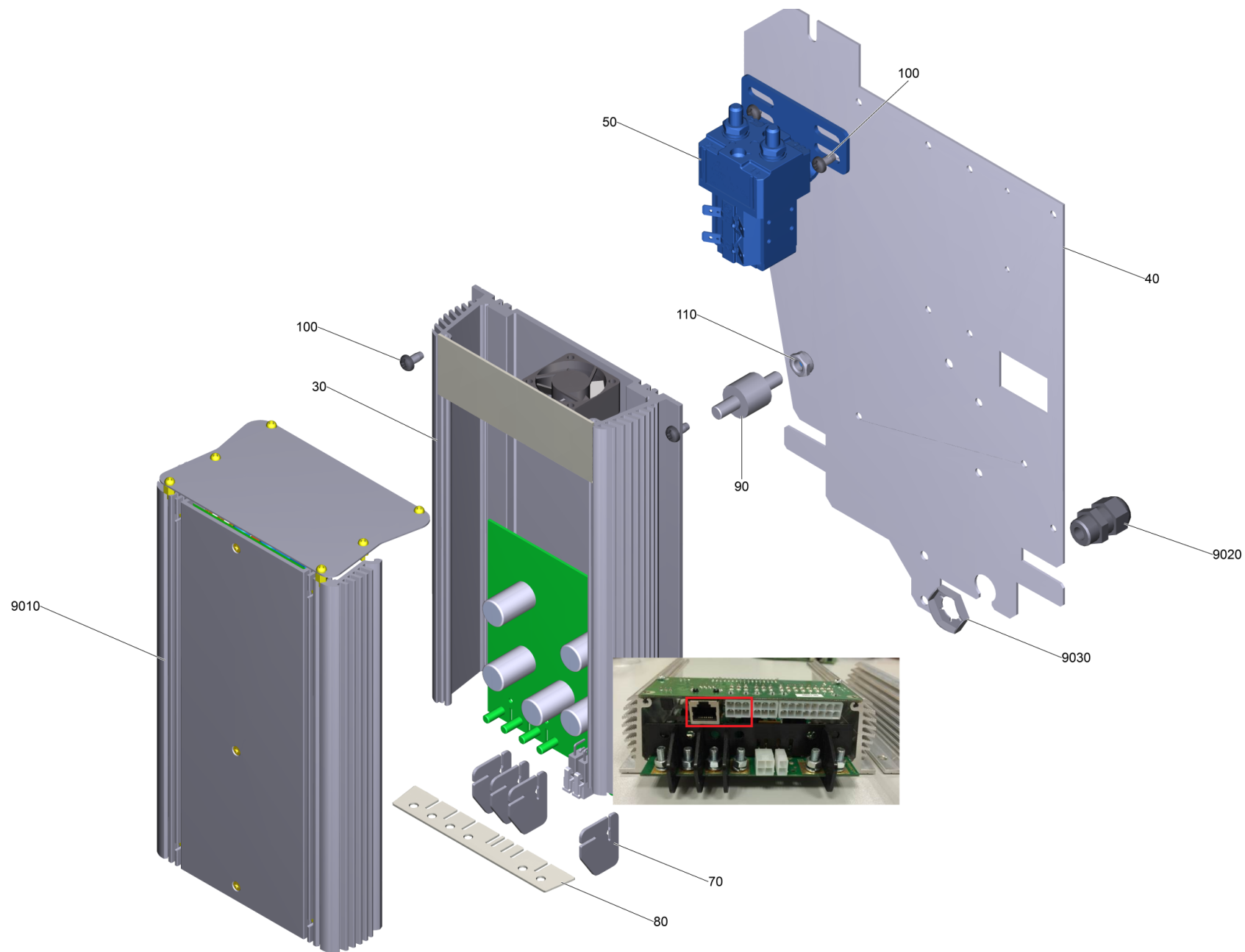


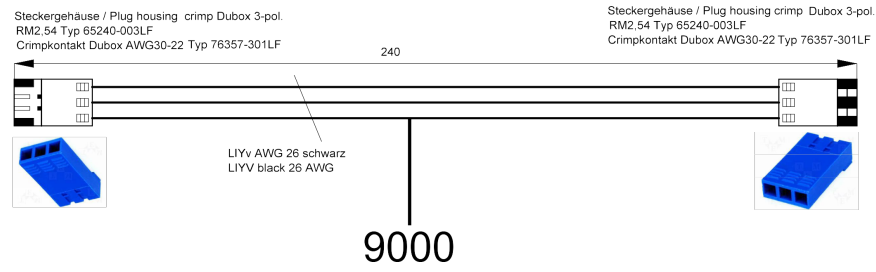
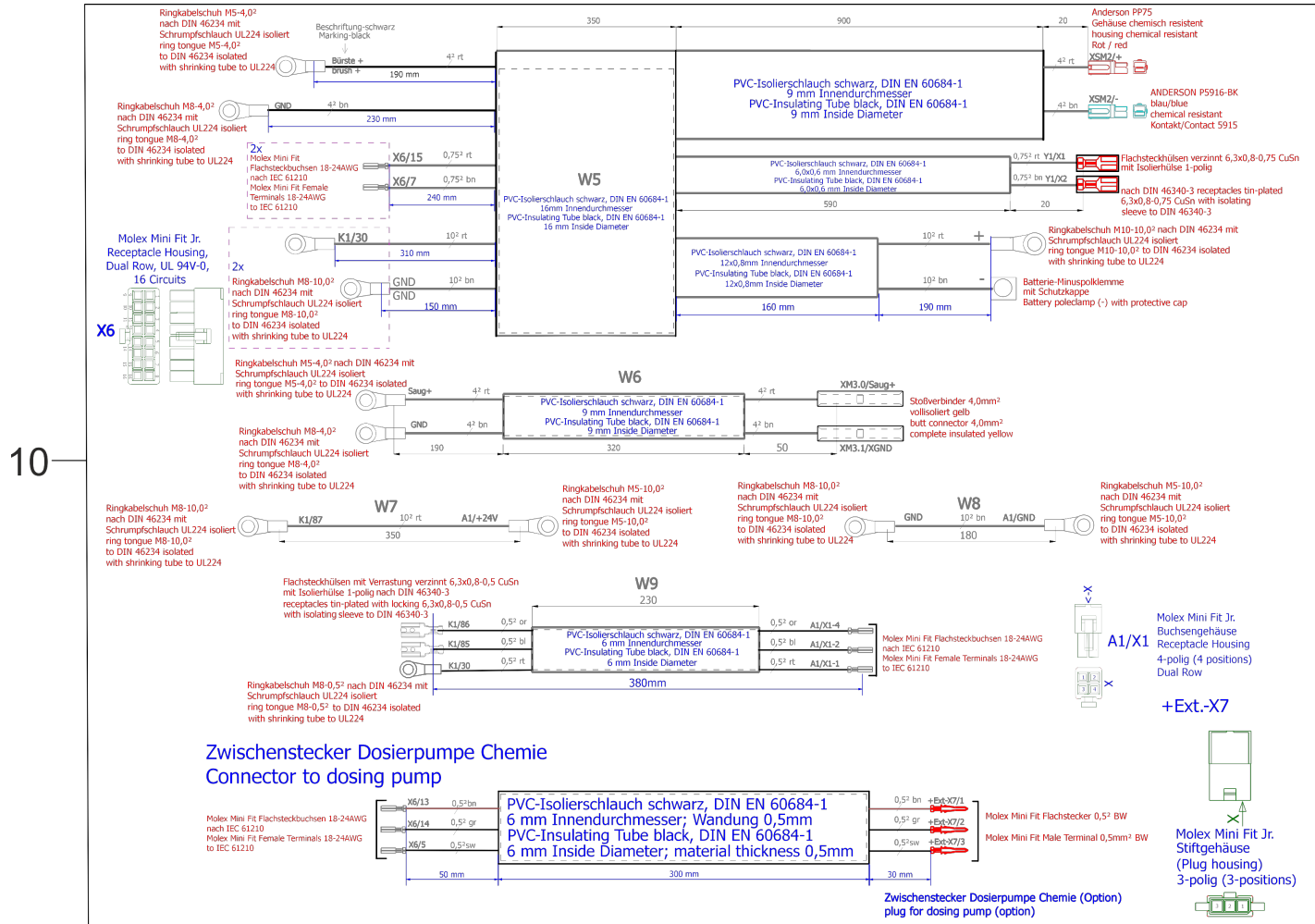
40 Handhold operational concept complete (4.035-608.0)

POS	Article no.	Description	Quantity	Unit
20	6.313-014.0	Spring element	1	PC

901 Set key yellow KIK (4.035-408.0)

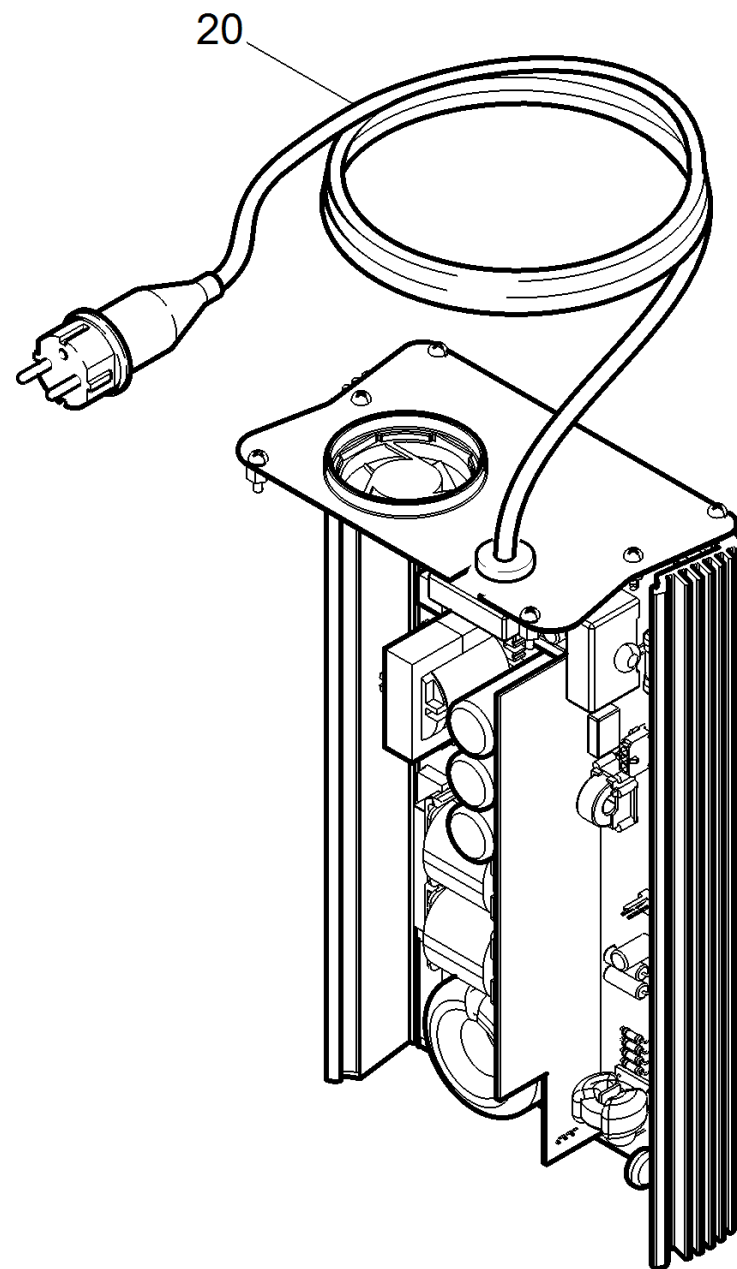
POS	Article no.	Description	Quantity	Unit
10	5.035-344.0	Key yellow KIK	5	PC
20	6.590-355.0	Bag PE 130x140 mm neutral	1	PC
30	6.376-020.0	Label 65X55 MM	1	ZST





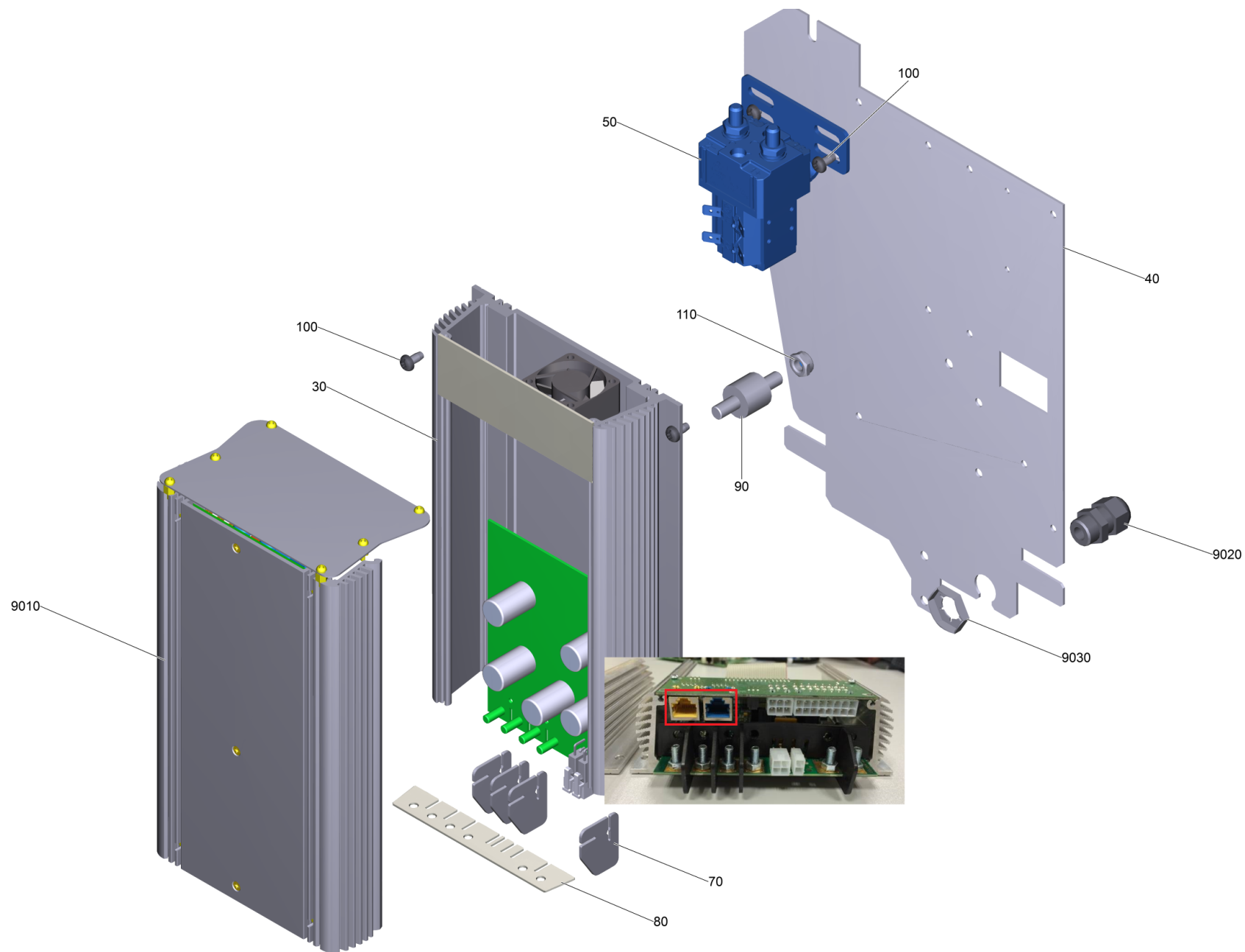
40 Electric equipment B40 C Bp Dose

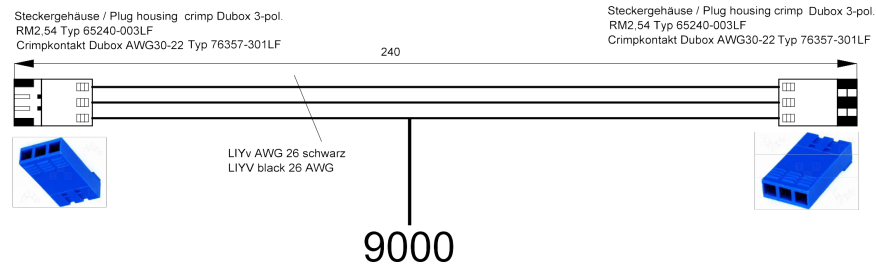
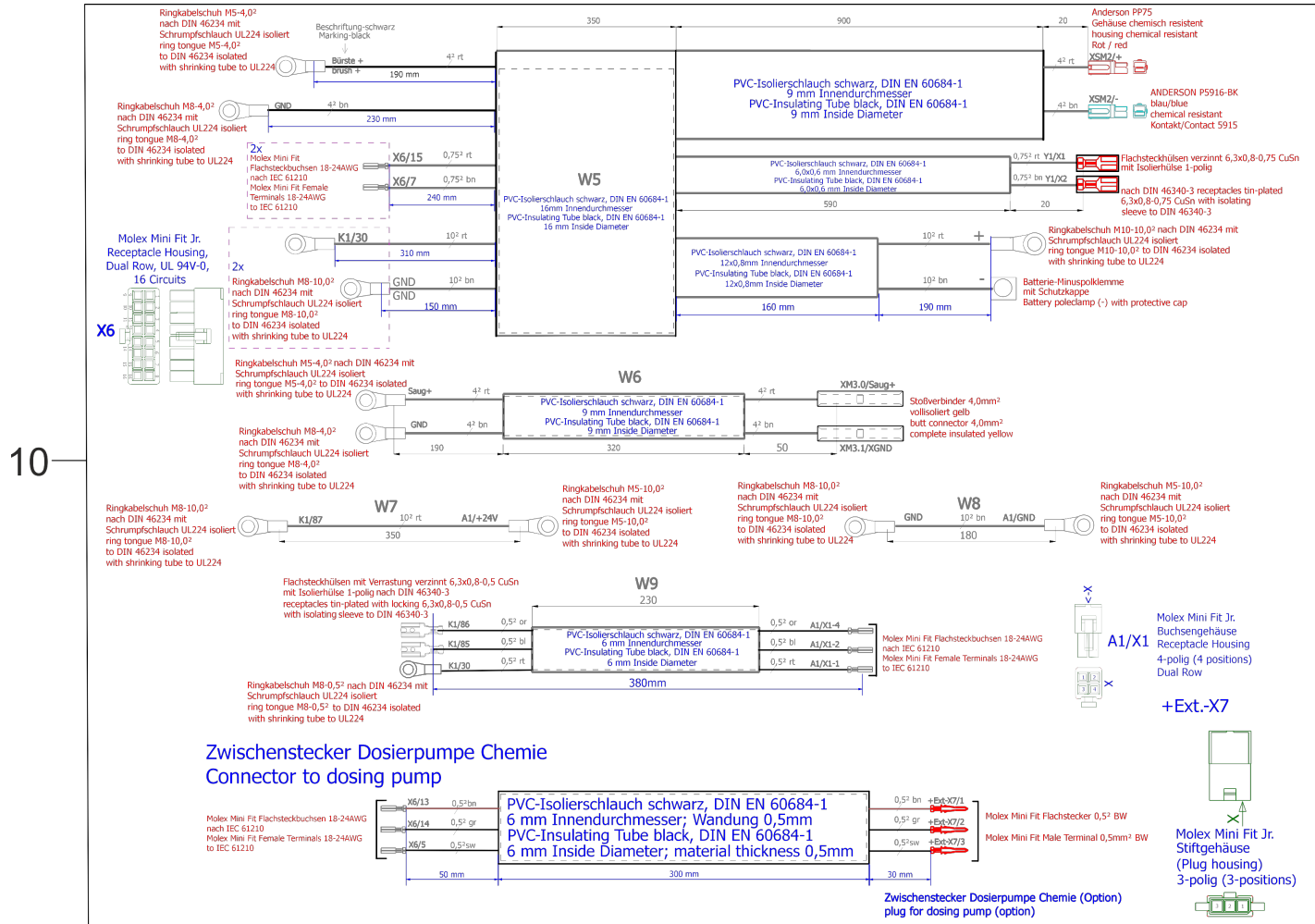
POS	Article no.	Description	Quantity	Unit
10	4.822-899.0	Cable harness B40 C Bp	1	PC
30	4.683-074.0	Electronics control system replacement B	1	PC
40	5.035-449.0	Plate base plate electronics	1	PC
50	6.633-044.0	Relay 120A	1	PC
50	6.633-389.0	Relay 24VDC / 100A	1	PC
70	5.035-359.0	Moulded part plate electronics klein	4	PC
80	5.035-362.0	Moulded part plate electronics	1	PC
90	6.652-033.0	Isolator	1	PC
100	7.303-037.0	Screw M5x10 -St-P2R (In6Rd)	6	PC
110	7.311-427.0	Hexagon nut M8 -04-A2E DIN 985	1	PC
120	6.648-399.0	Cable gland black M16x1,5	1	PC
130	7.777-999.0	Stockpiling discontinued	1	PC
9000	6.645-554.0	Connecting cable control system battery charger	1	PC
9010	6.654-337.0	Battery charger replacement B 40 Japan	1	PC
9010	6.683-119.0	Battery charger replacement B 40 *EU	1	PC
9020	6.648-399.0	Cable gland black M16x1,5	1	PC
9030	7.777-999.0	Stockpiling discontinued	1	PC



9010 Battery charger replacement B 40 *EU (6.683-119.0)

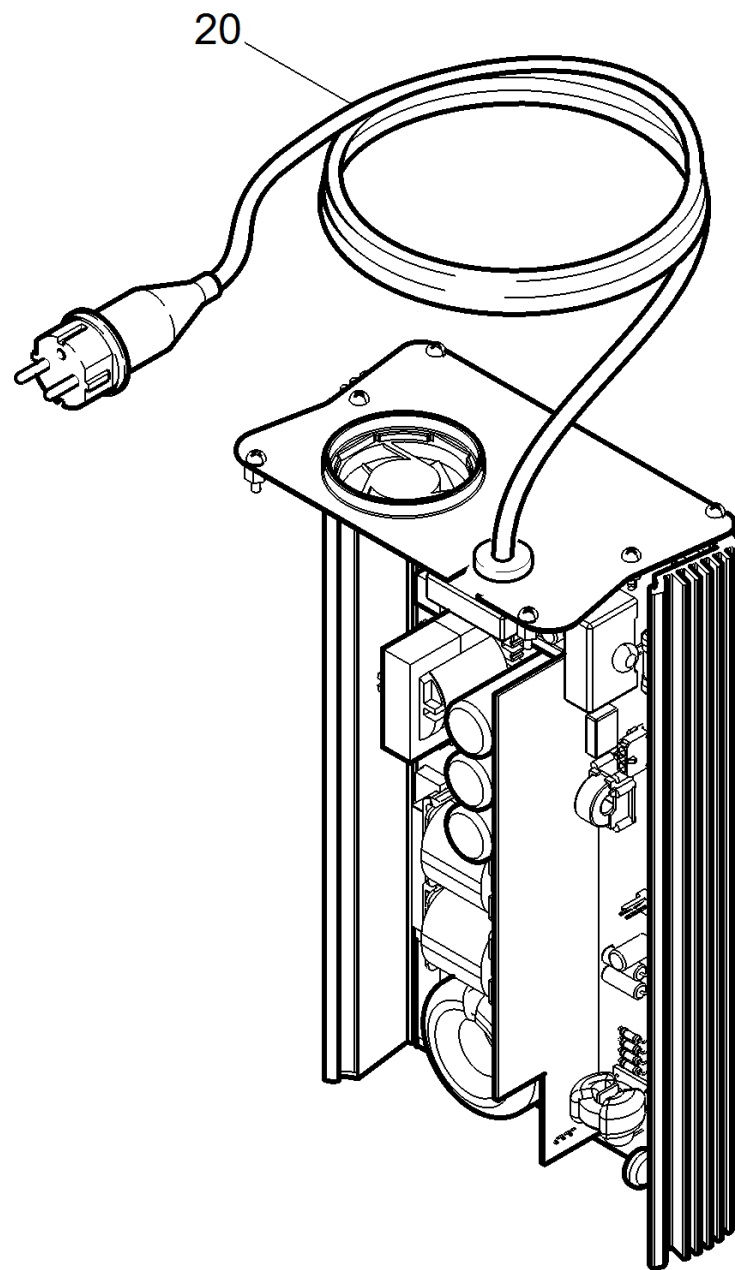
POS	Article no.	Description	Quantity	Unit	Remark
20	6.645-553.0	Cable with plug	1	PC	*EU
20	6.645-586.0	Cable with plug B40-USA	1	PC	*US





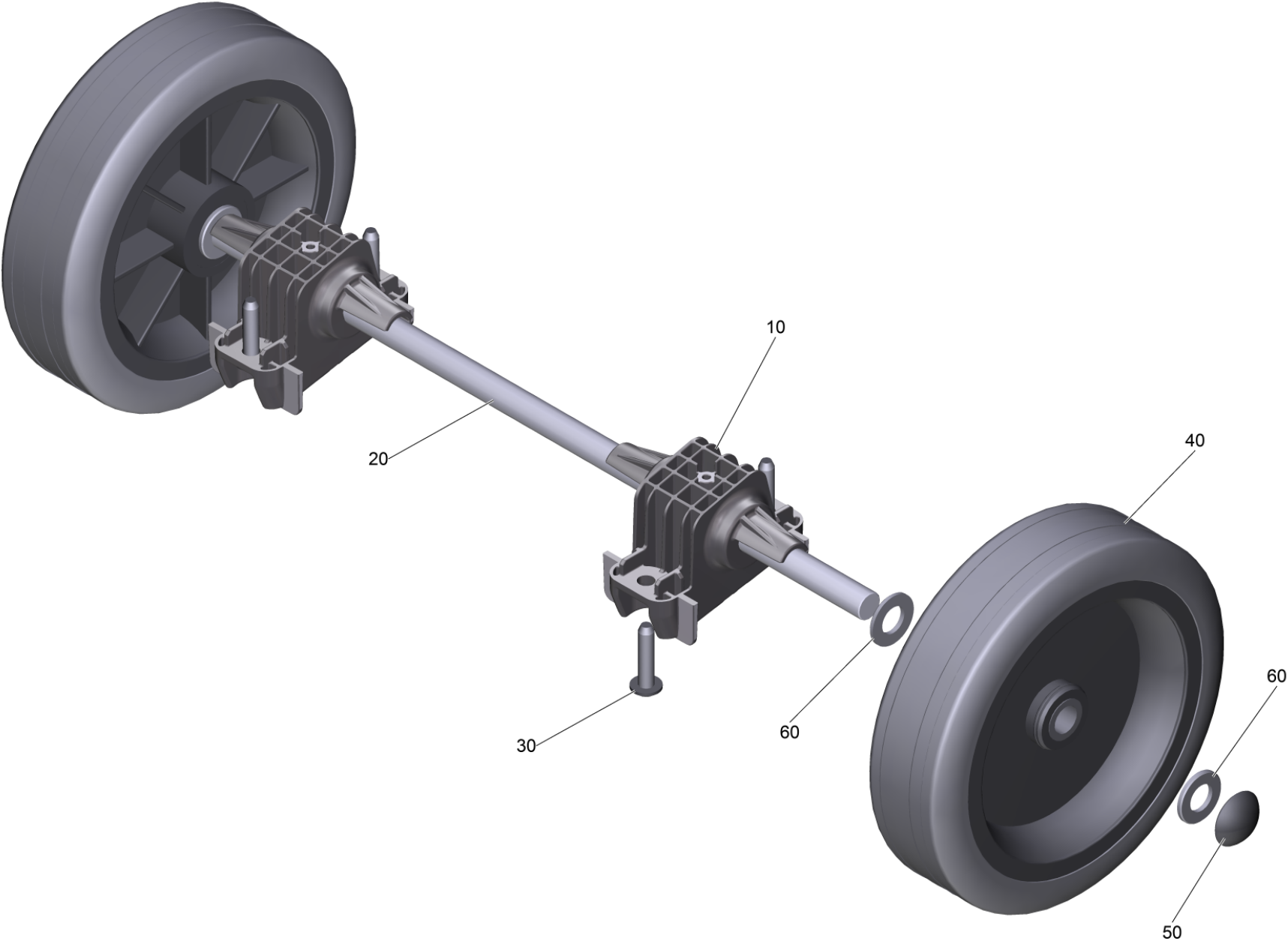
40 Electric equipment B40 C BP Dose CAN

POS	Article no.	Description	Quantity	Unit	Remark
10	4.822-899.0	Cable harness B40 C Bp	1	PC	
30	4.683-074.0	Electronics control system replacement B	1	PC	
40	5.035-449.0	Plate base plate electronics	1	PC	
50	4.633-110.0	Relay replacement set	1	PC	
70	5.035-359.0	Moulded part plate electronics klein	4	PC	
80	5.035-362.0	Moulded part plate electronics	1	PC	
90	6.652-033.0	Isolator	1	PC	
100	7.303-037.0	Screw M5x10 -St-P2R (In6Rd)	6	PC	
110	7.311-427.0	Hexagon nut M8 -04-A2E DIN 985	1	PC	
9000	6.645-554.0	Connecting cable control system battery charger	1	PC	
9010	6.654-337.0	Battery charger replacement B 40 Japan	1	PC	*JP
9010	6.683-119.0	Battery charger replacement B 40 *EU	1	PC	
9020	6.648-399.0	Cable gland black M16x1,5	1	PC	
9030	7.777-999.0	Stockpiling discontinued	1	PC	



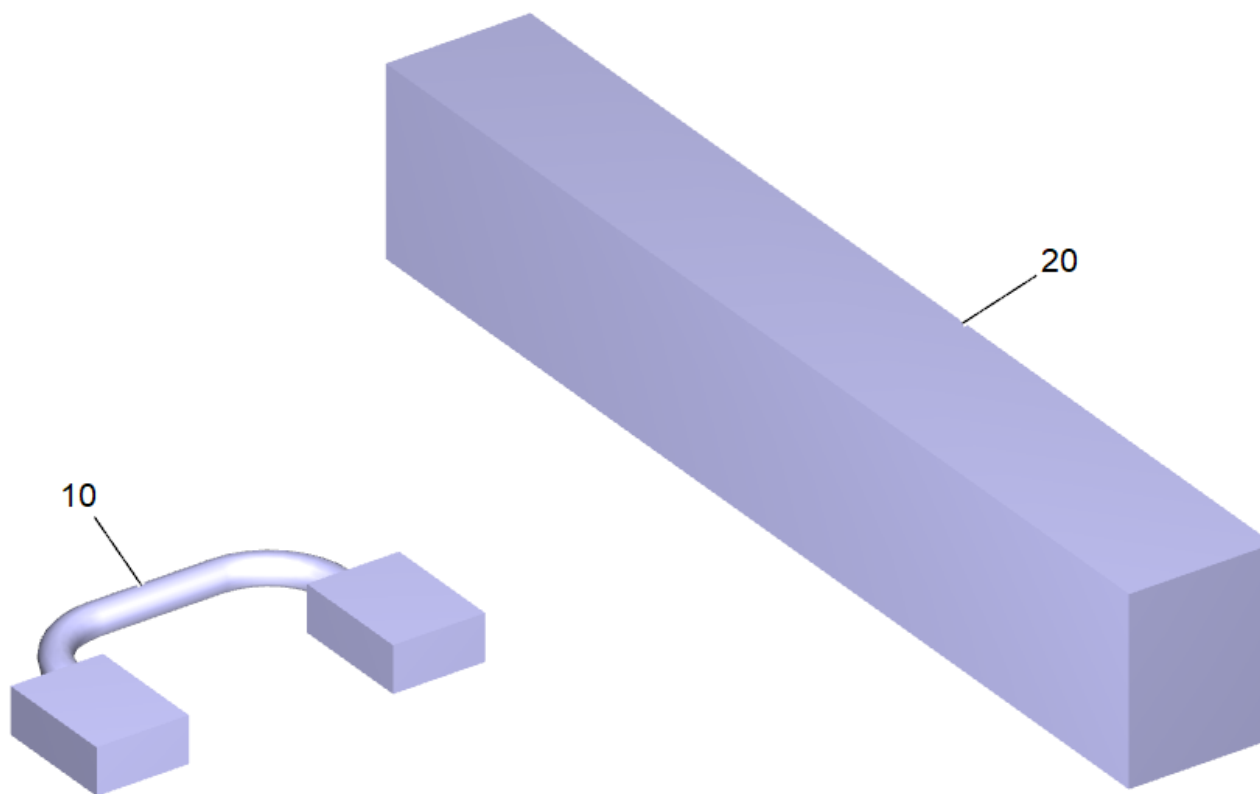
9010 Battery charger replacement B 40 *EU (6.683-119.0)

POS	Article no.	Description	Quantity	Unit	Remark
20	6.645-553.0	Cable with plug	1	PC	*EU
20	6.645-586.0	Cable with plug B40-USA	1	PC	*US



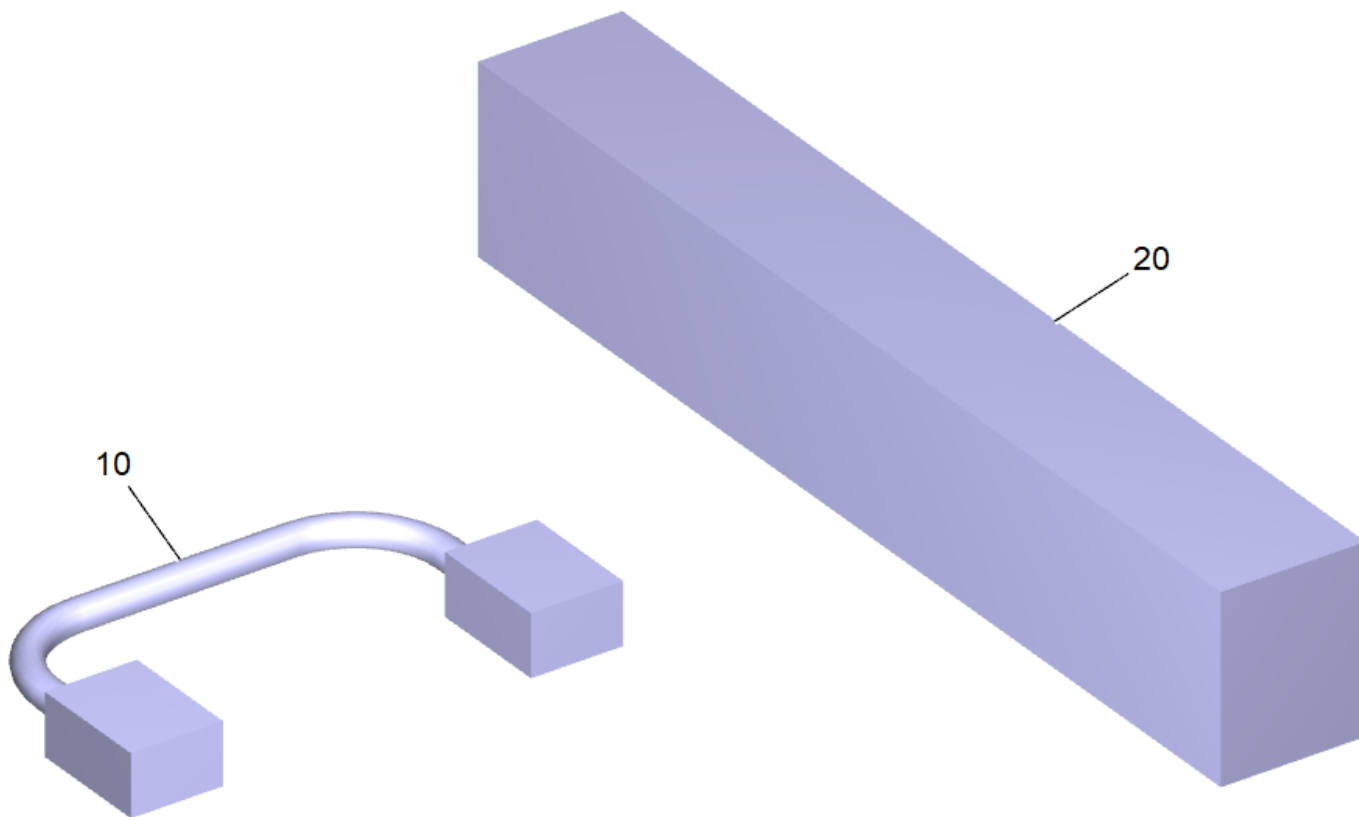
70 Axle complete

POS	Article no.	Description	Quantity	Unit
10	5.035-352.0	Holder axle	2	PC
20	5.035-360.0	Wheel axle carriage	1	PC
30	6.303-315.0	Screw 8 x 35	4	PC
40	6.435-412.0	Wheel D 200	2	PC
50	6.343-240.0	Lock washer	2	PC
60	7.312-028.0	Washer 14-200HV-A3E ISO7089	4	PC



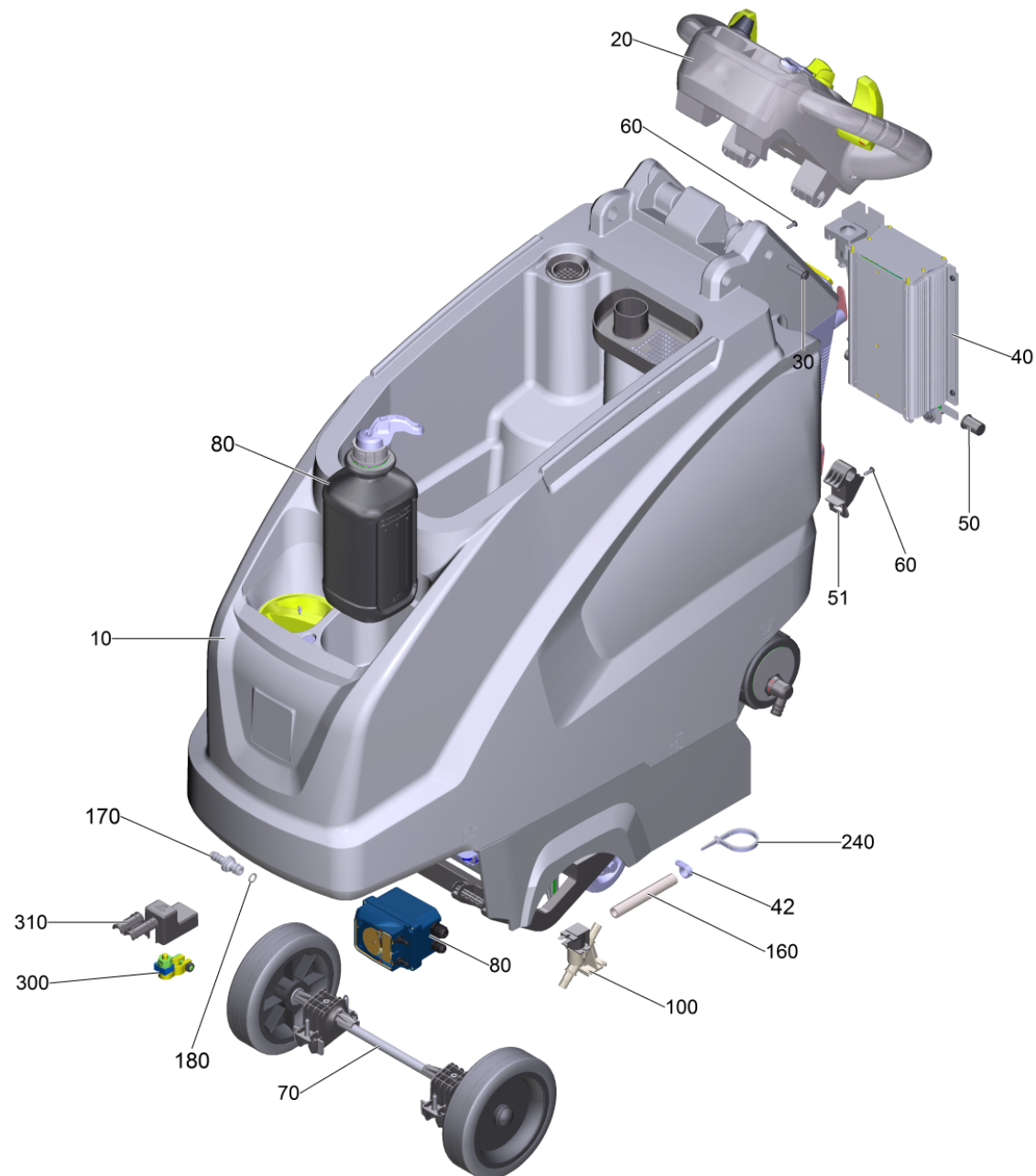
9523 Mounting kit battery kit (2.638-036.0)

POS	Article no.	Description	Quantity	Unit
10	6.649-879.0	Cable battery 25 mm ² . 160 mm	1	PC
20	5.642-021.0	Distance holder battery	1	PC



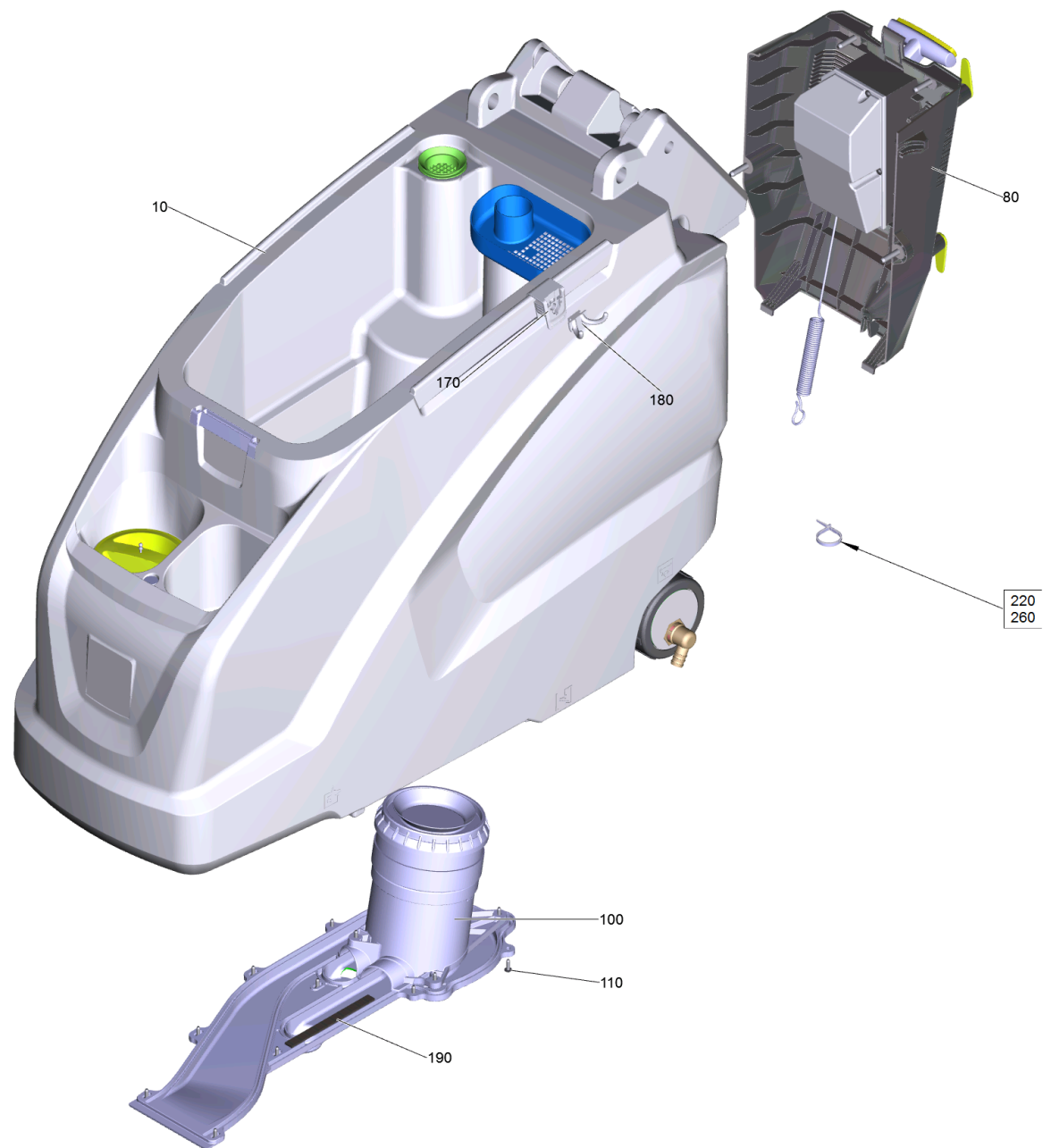
9531 Mounting kit battery kit (2.638-059.0)

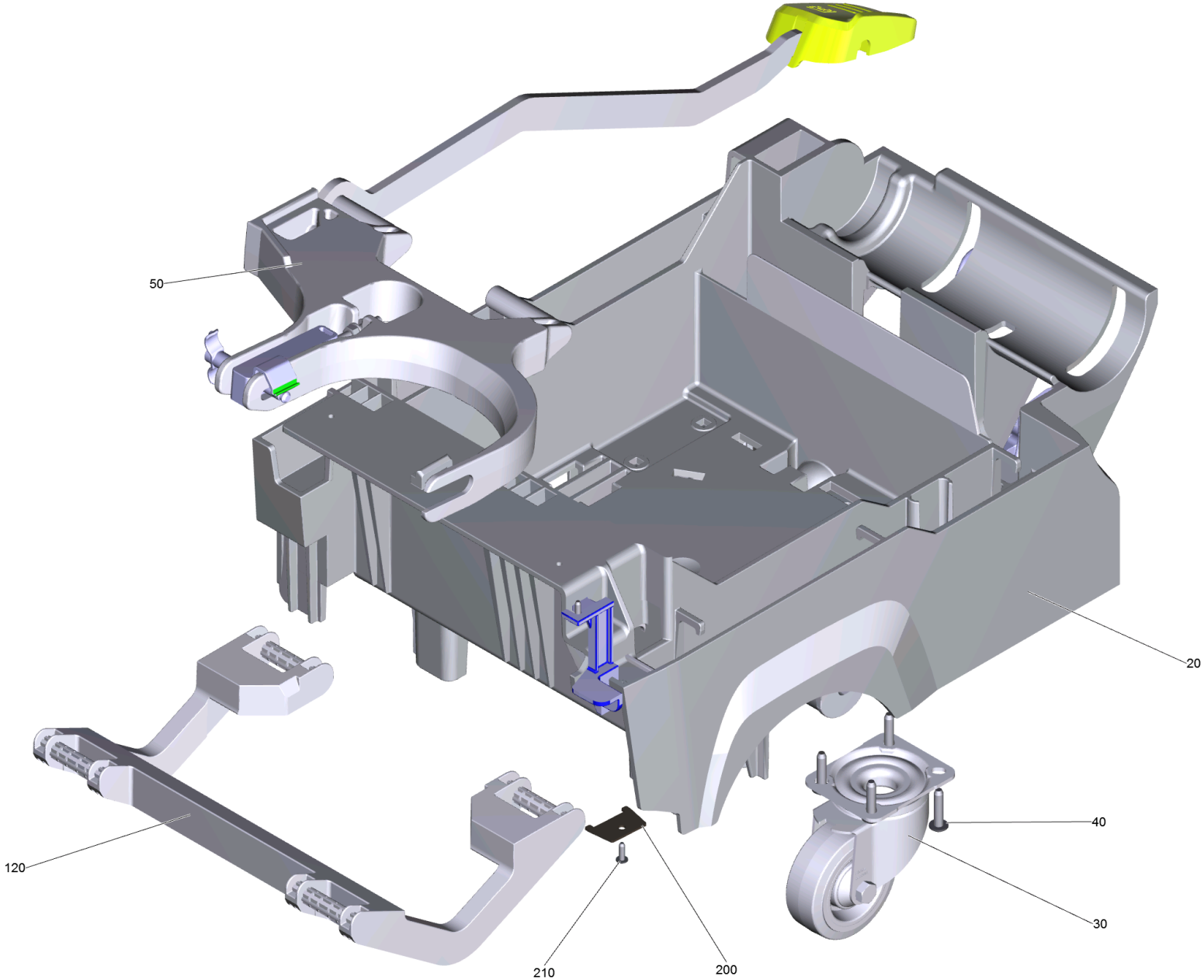
POS	Article no.	Description	Quantity	Unit
10	6.649-601.0	Cable battery short Hoppecke	1	PC
20	5.642-021.0	Distance holder battery	1	PC

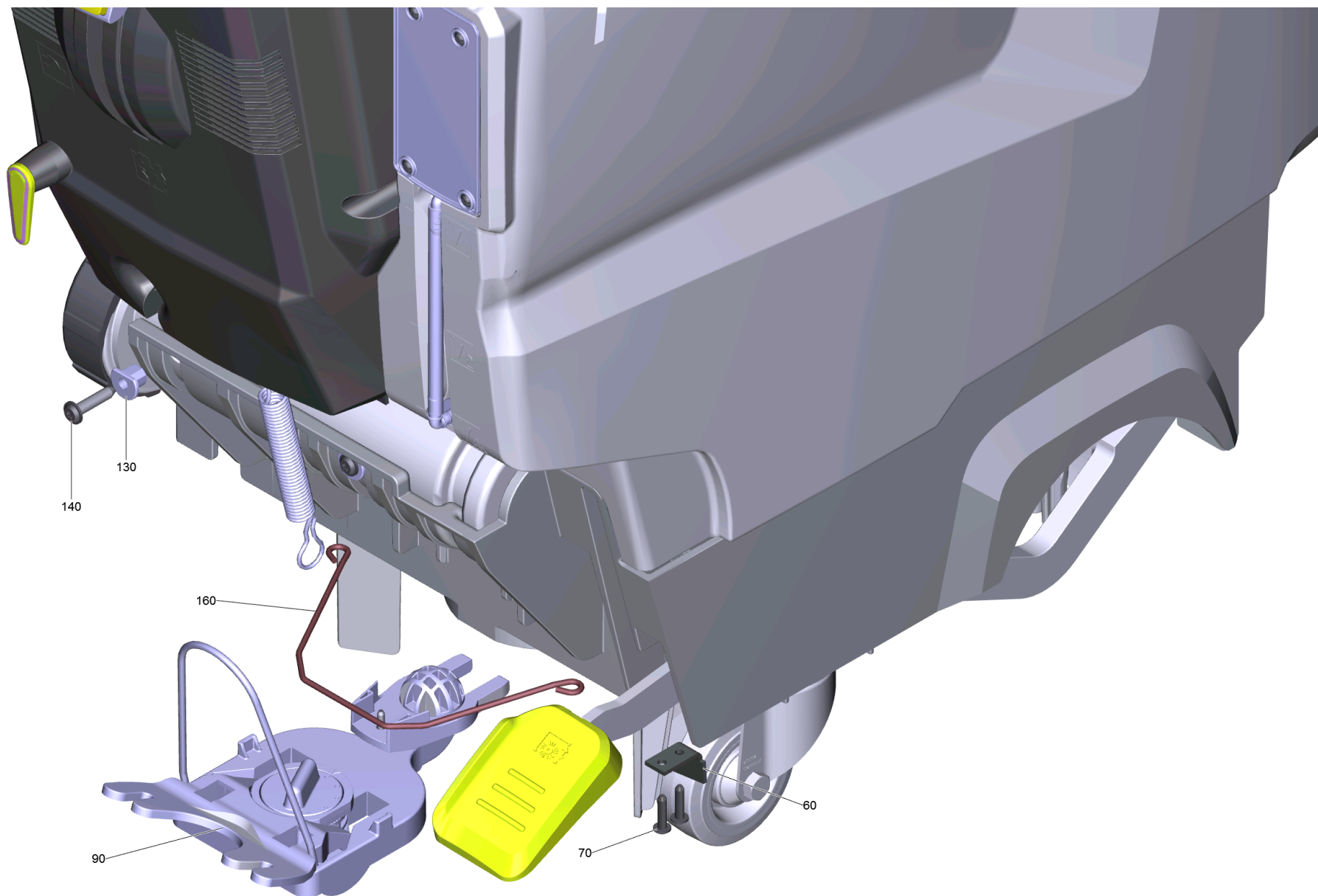


40 B 40 C Bp Dose (2.533-203.0)

POS	Article no.	Description	Quantity	Unit	Foot note text
10		Basic machinery B40	1	PC	
20		Control panel complete BAT C	1	PC	
30	6.303-315.0	Screw 8 x 35	4	PC	
40		Electric equipment B40 C Bp Dose	1	PC	OLD VERSION
40		Electric equipment B40 C BP Dose CAN	1	PC	NEW VERSION
42	6.373-877.0	Hose clip	1	PC	
50	5.035-450.0	Bearing bush electronics	2	PC	
51	5.035-433.0	Adapter	2	PC	
60	7.303-107.0	Screw 5x16 -10.9-P2R (K-In6Rd)	4	PC	
70		Axle complete	1	PC	
80		RM tin B40	1	PC	
100	6.472-007.3	Solenoid valve 24 V	1	PC	
160	6.390-892.0	Spiral hose NW12	1	m	TO ORDER AS CUT GOODS
170	5.443-375.0	Hose stem	1	PC	
180	6.362-170.0	O-Ring seal 11,3 X 2,4-NBR 70	1	PC	
240	6.641-463.0	Cable tape	2	PC	
300	6.644-618.0	Pole binder	1	PC	
310	5.394-852.0	Covering cap battery terminal	1	PC	
1020		Documentation C Bp	1	PC	
9520	2.815-099.0	Battery kit Gel 2x 12V/76Ah	1	SET	
9521	2.815-100.0	Battery kit Gel 2x 12V/105Ah	1	SET	
9522	2.815-090.0	Battery kit AGM 2x 12V/80Ah	1	SET	
9523	2.638-036.0	Mounting kit battery kit	1	PC	
9530	2.815-091.0	Battery kit AGM 2x 12V/115Ah	1	SET	
9531	2.638-059.0	Mounting kit battery kit	1	PC	

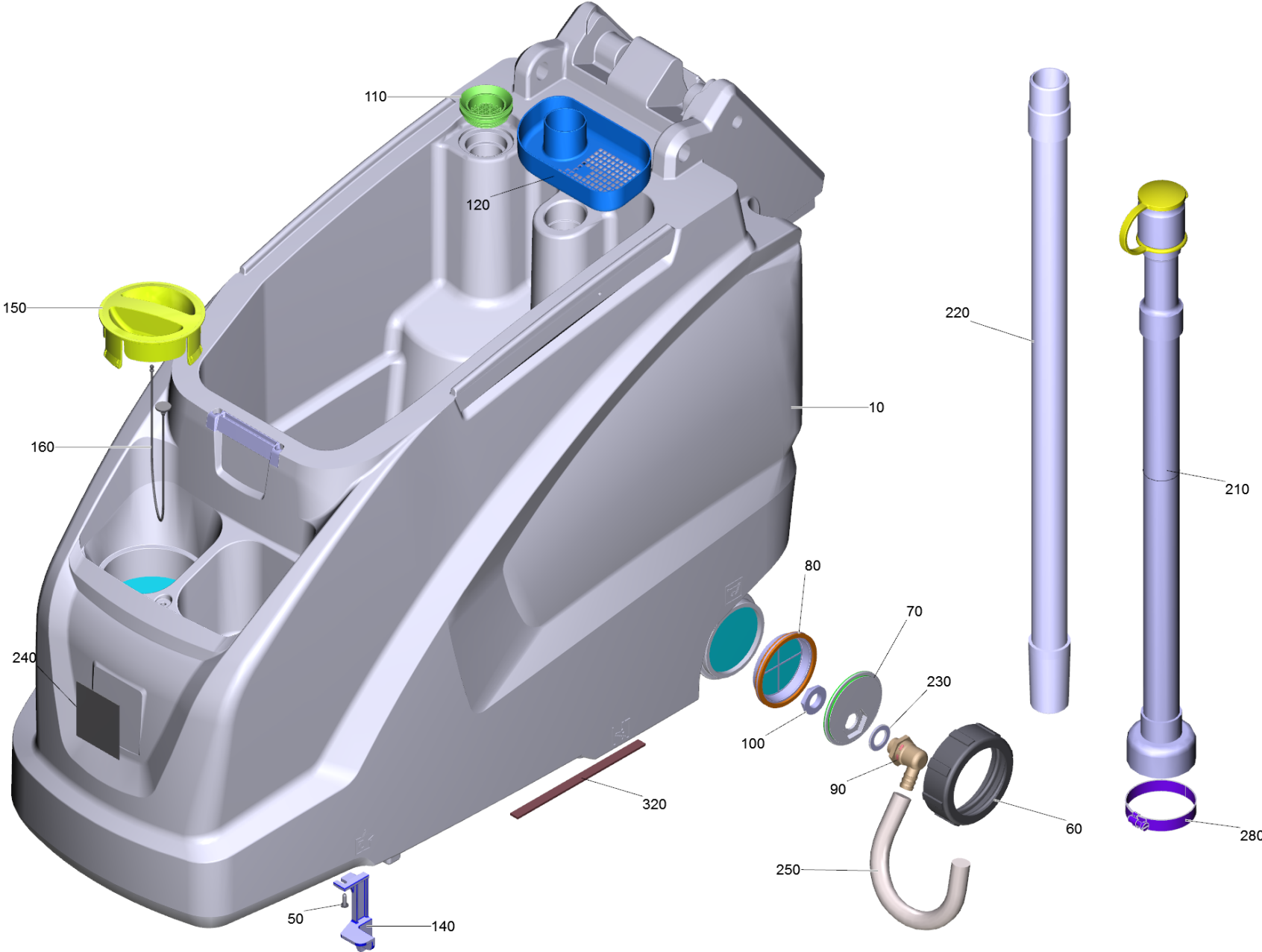


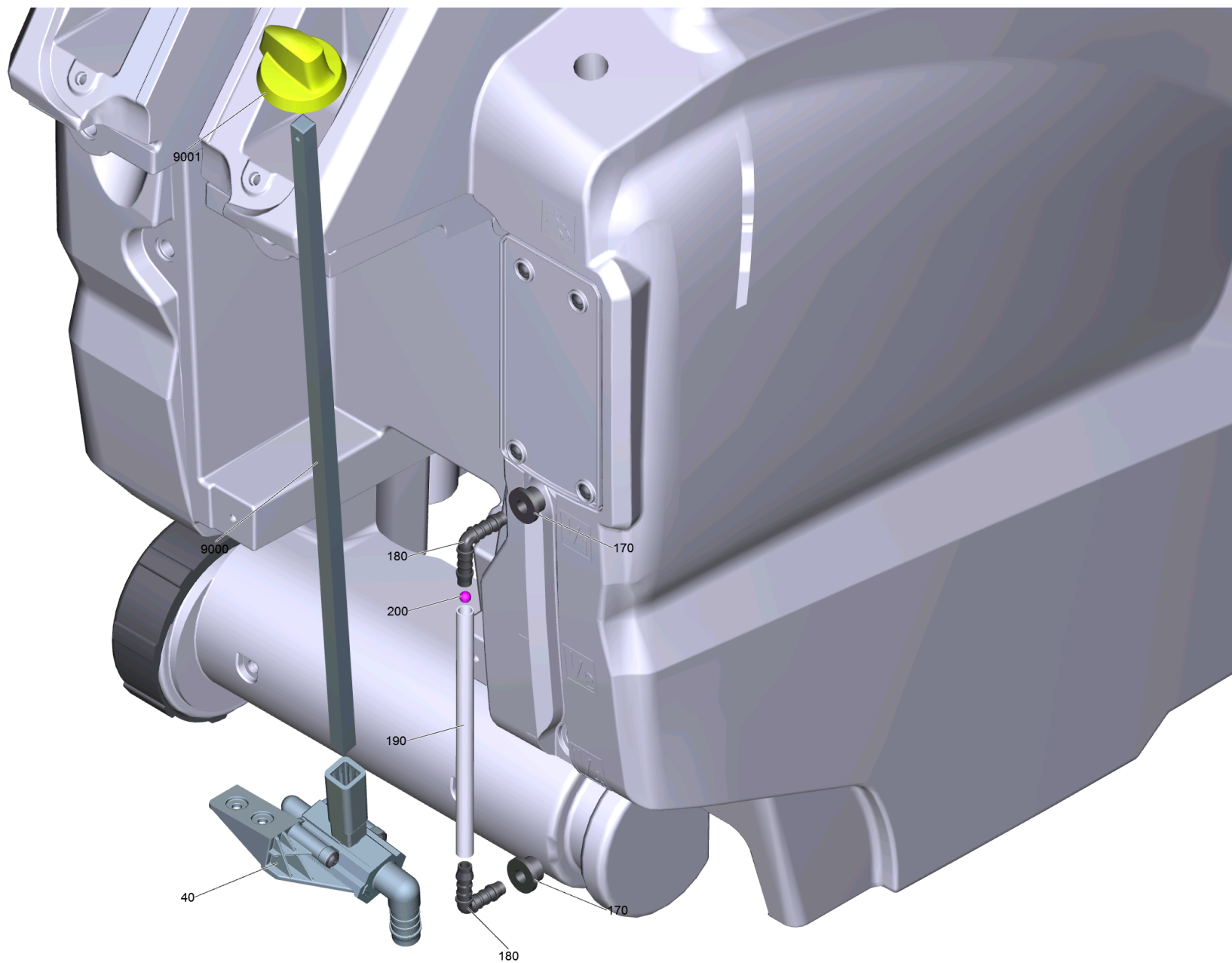


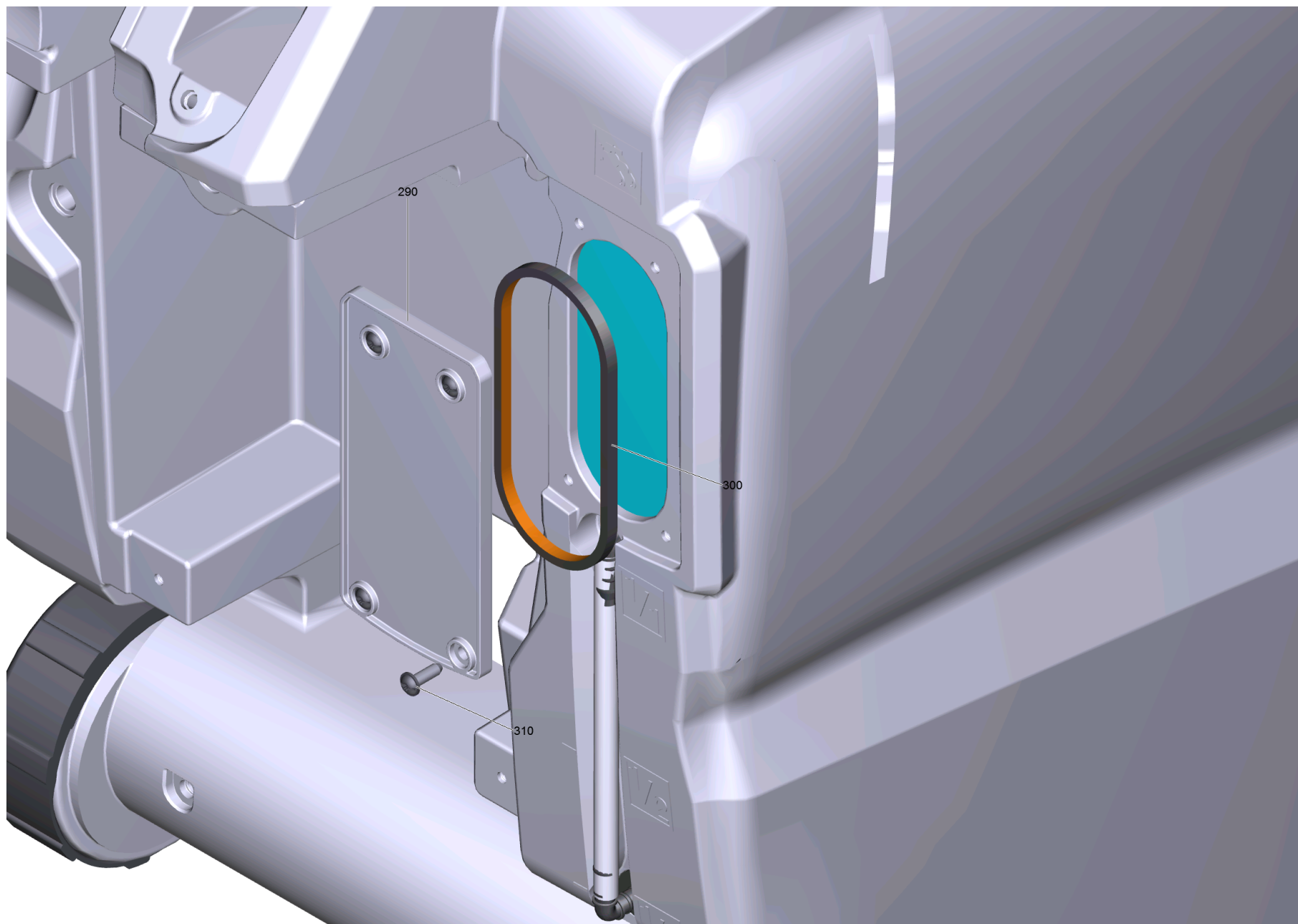


10 Basic machinery B40

POS	Article no.	Description	Quantity	Unit	Foot note text
10	4.035-335.0	Tank complete	1	PC	
20	5.035-350.0	Frame B40	1	PC	
30	6.435-011.3	Castor	2	PC	
40	6.303-315.0	Screw 8 x 35	8	PC	
50		Suspension brush-head complete	1	PC	
60	5.035-361.0	Sheet metal component	1	PC	
70	7.303-109.0	Screw 5x25 -10.9-R2R (In6Rd)	2	PC	
80		Covering cap rear complete	1	PC	
90		Suction bar lifting complete	1	PC	
100		Vacuum motor enclosure	1	PC	
110	7.303-107.0	Screw 5x16 -10.9-P2R (K-In6Rd)	13	PC	
120	5.035-334.0	Retaining bracket connecting rod	1	PC	
130	5.035-522.0	Sleeve	3	PC	
140	6.303-315.0	Screw 8 x 35	3	PC	
160	5.035-440.0	Wire spring	1	PC	
170	5.035-488.0	Adapter Homebase	1	PC	
180	6.980-077.0	Double hook	1	PC	
190	6.273-090.0	Sealing tape 13x3	1	m	TO ORDER AS CUT GOODS
200	5.035-726.0	Plate	1	PC	
210	7.303-107.0	Screw 5x16 -10.9-P2R (K-In6Rd)	1	PC	
220	6.641-465.0	Cable tape	1	PC	
260	6.647-081.0	Cable tape	1	PC	

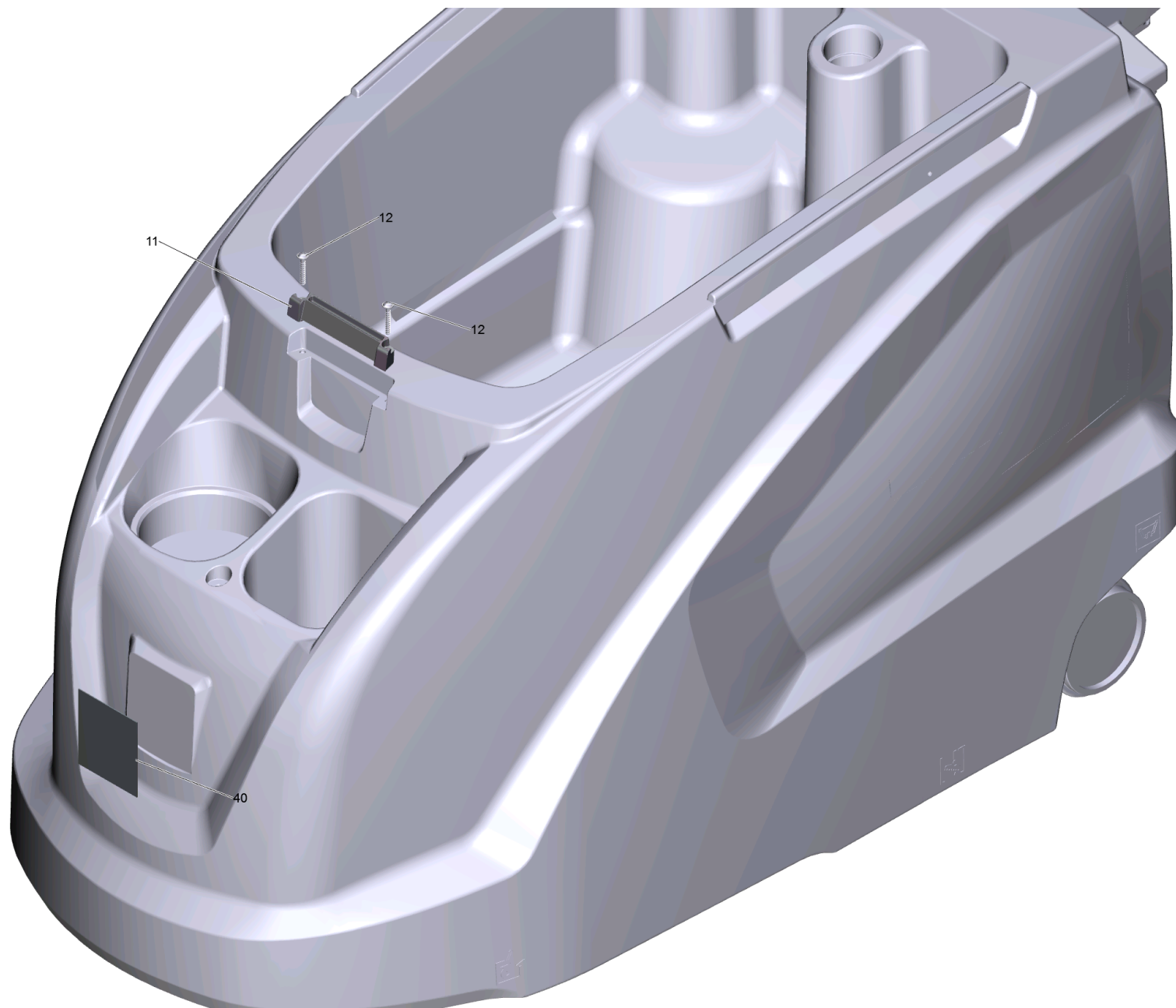






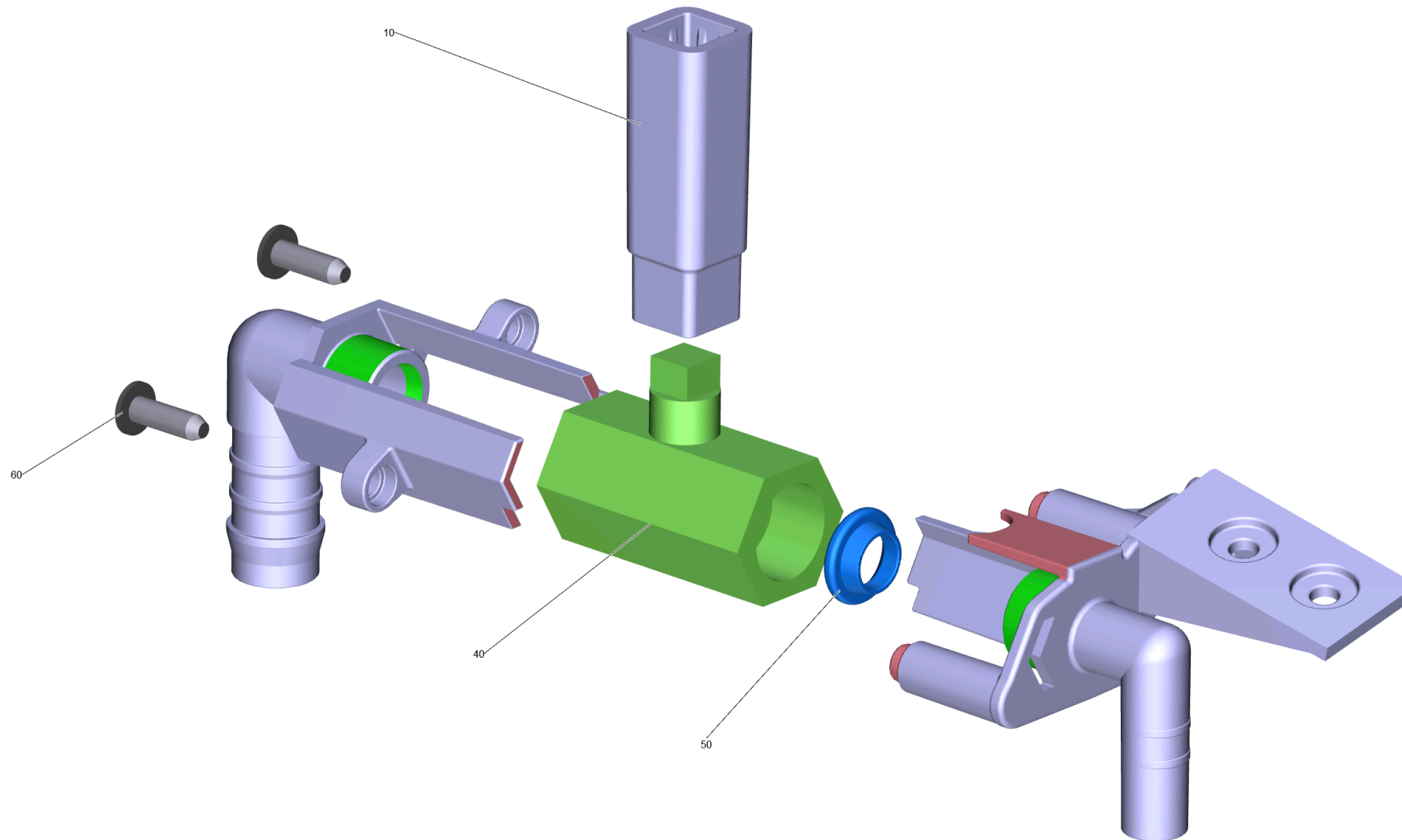
10 Tank complete (4.035-335.0)

POS	Article no.	Description	Quantity	Unit	Foot note text
10	4.035-429.0	Tank replacement B40	1	PC	
40	4.035-426.0	Ball valve complete replacement	1	PC	
50	7.303-107.0	Screw 5x16 -10.9-P2R (K-In6Rd)	3	PC	
60	5.035-341.0	Cover fresh water tank discharge	1	PC	
70	5.035-342.0	Hose connection fresh water discharge	1	PC	
80	5.035-376.0	Filter discharge	1	PC	
90	6.395-163.3	Angle bushing G1-2	1	PC	
100	6.310-004.0	Hexagon nut G 1/2"	1	PC	
110	5.515-266.0	Joint ring fluffing strainer	1	PC	
120	5.036-932.0	Tank bulk waste yellow	1	PC	
140	5.035-435.0	Tank locking part	1	PC	
150	5.034-099.0	Cover fresh water metering RM	1	PC	
160	5.035-358.0	Mounting rope cover fresh water tank	1	PC	
170	5.035-608.0	Wire protecting sleeve	2	PC	
180	6.391-913.0	Elbow nipple	2	PC	
190	5.035-328.0	Silicon hose level indicator	1	PC	
200	6.035-072.0	Sphere level indicator D6	1	PC	
210	4.035-285.0	Drain hose with cover PU	1	PC	OIL RESISTANT
220	6.392-471.0	Suction hose PU DN32	1	PC	
230	5.515-253.0	Seal D34	1	PC	
240	5.394-081.0	Label signet gel 78x86	1	PC	
250	6.390-324.0	Hose DN16	1	m	TO ORDER AS CUT GOODS
280	6.388-767.0	Hose clip 70- 90	1	PC	
290	4.035-370.0	Screen filling system	1	PC	
300	5.035-418.0	Seal fixing plate	1	PC	
310	7.303-107.0	Screw 5x16 -10.9-P2R (K-In6Rd)	4	PC	
320	6.273-043.0	Sealing tape cellularrubber 9x4	1	m	TO ORDER AS CUT GOODS
9000	5.035-369.0	Bar	1	PC	
9001	5.035-404.0	Handle	1	PC	



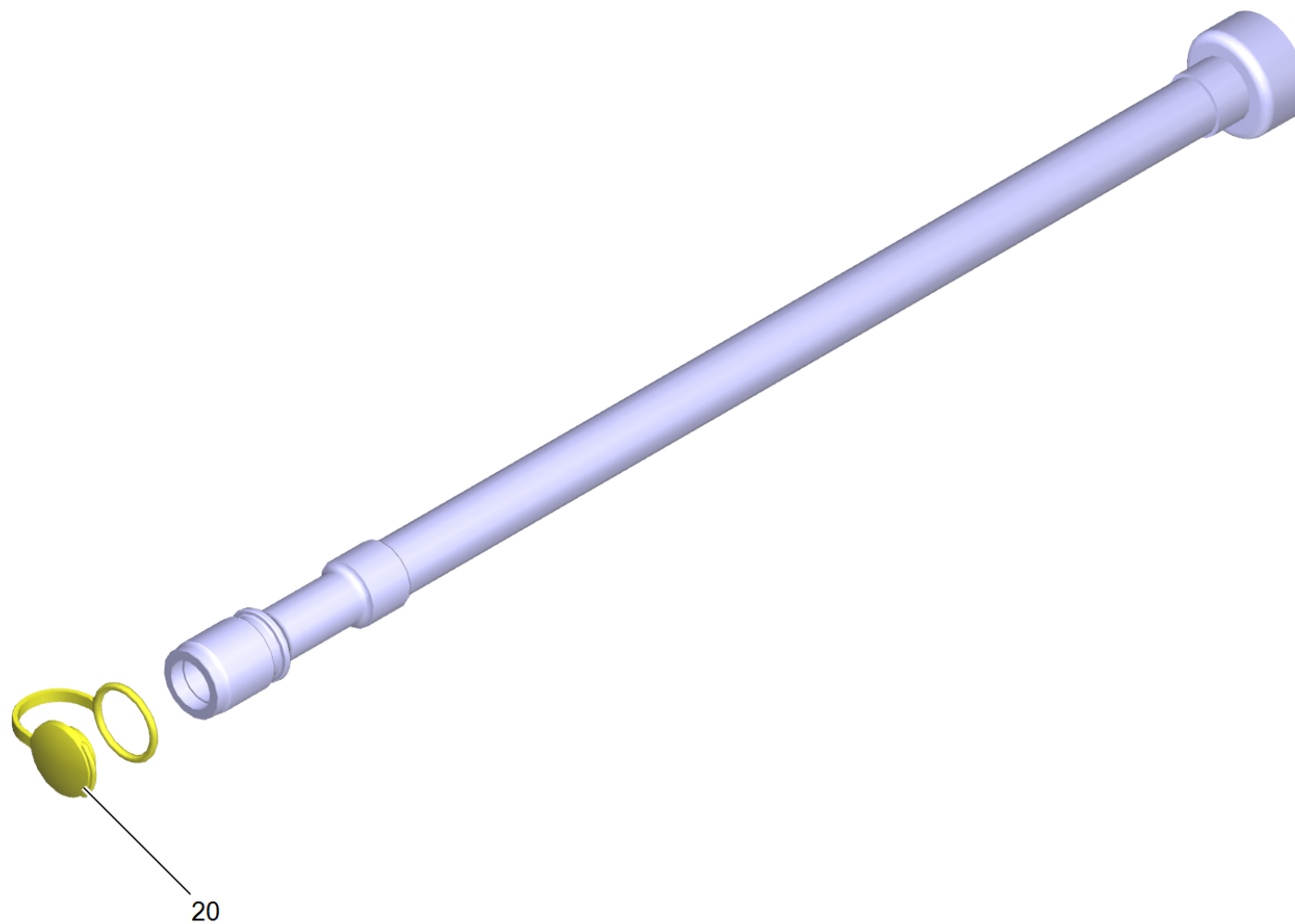
10 Tank replacement B40 (4.035-429.0)

POS	Article no.	Description	Quantity	Unit
11	5.035-482.0	Add-on part tank cover	1	PC
12	7.303-086.0	Screw 5x30 -10.9-R2R (K-In6Rd)	2	PC
40	5.394-081.0	Label signet gel 78x86	1	PC



40 Ball valve complete replacement (4.035-426.0)

POS	Article no.	Description	Quantity	Unit
10	5.035-459.0	Coupler piece ball valve	1	PC
40	6.413-586.0	Ball valve without handhold	1	PC
50	5.035-770.0	Seal ball valve	2	PC
60	7.303-107.0	Screw 5x16 -10.9-P2R (K-In6Rd)	2	PC

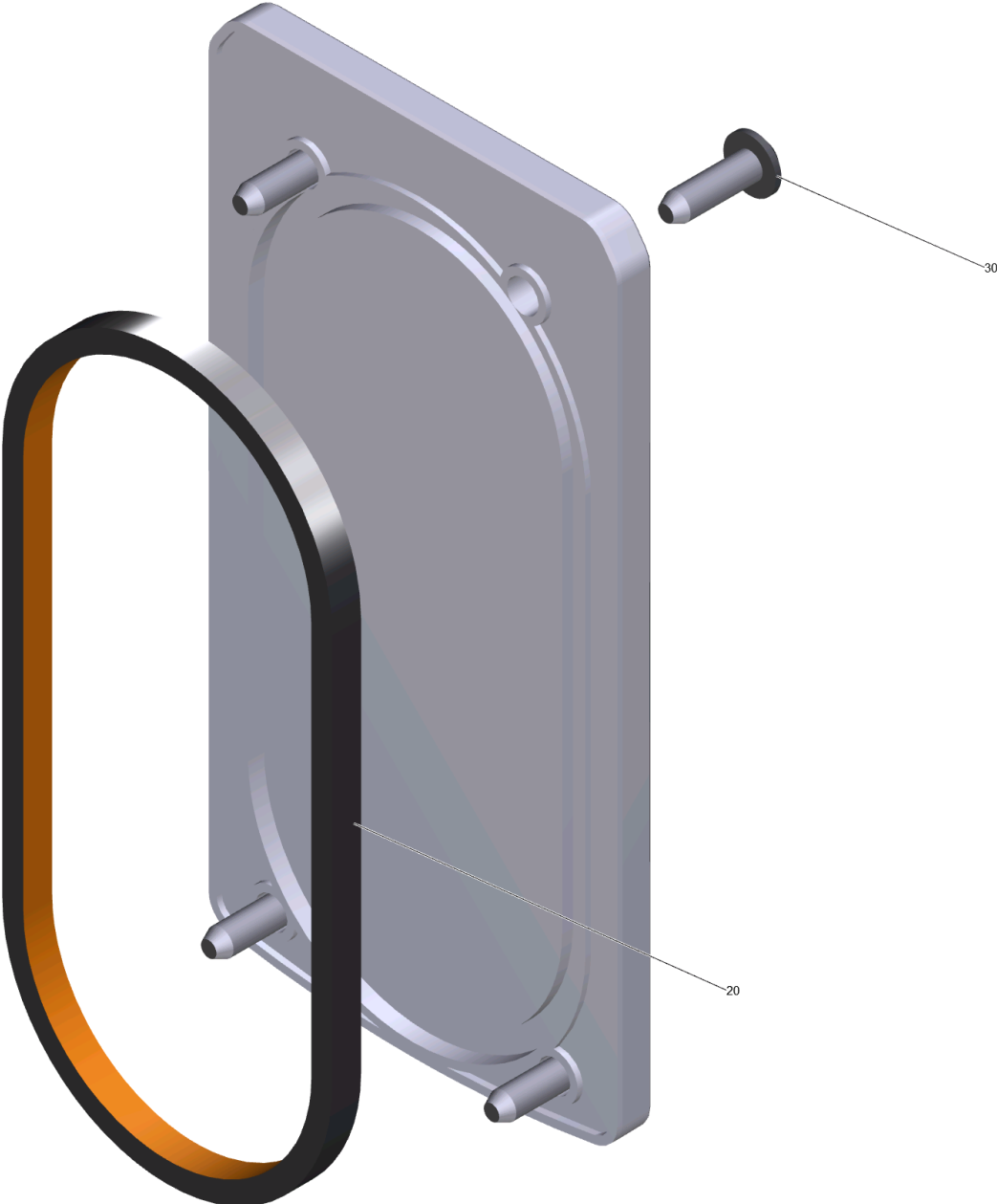


210 Drain hose with cover PU (4.035-285.0)

POS	Article no.	Description	Quantity	Unit
20	5.036-249.0	Cover plate drain hose yellow PU	1	PC

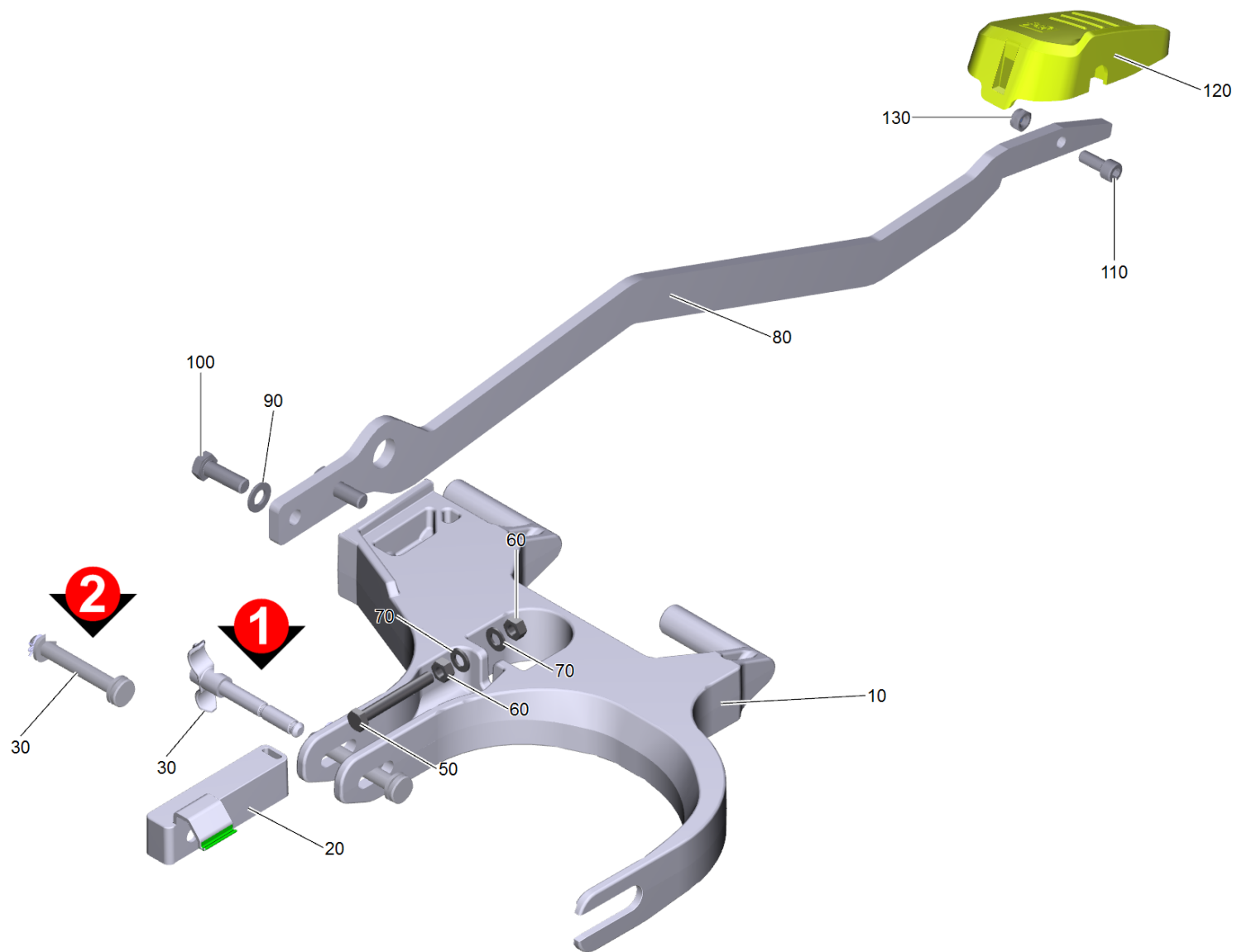
290 Screen filling system (4.035-370.0)

POS	Article no.	Description	Quantity	Unit
10	4.035-370.7	Screen filling system	1	PC



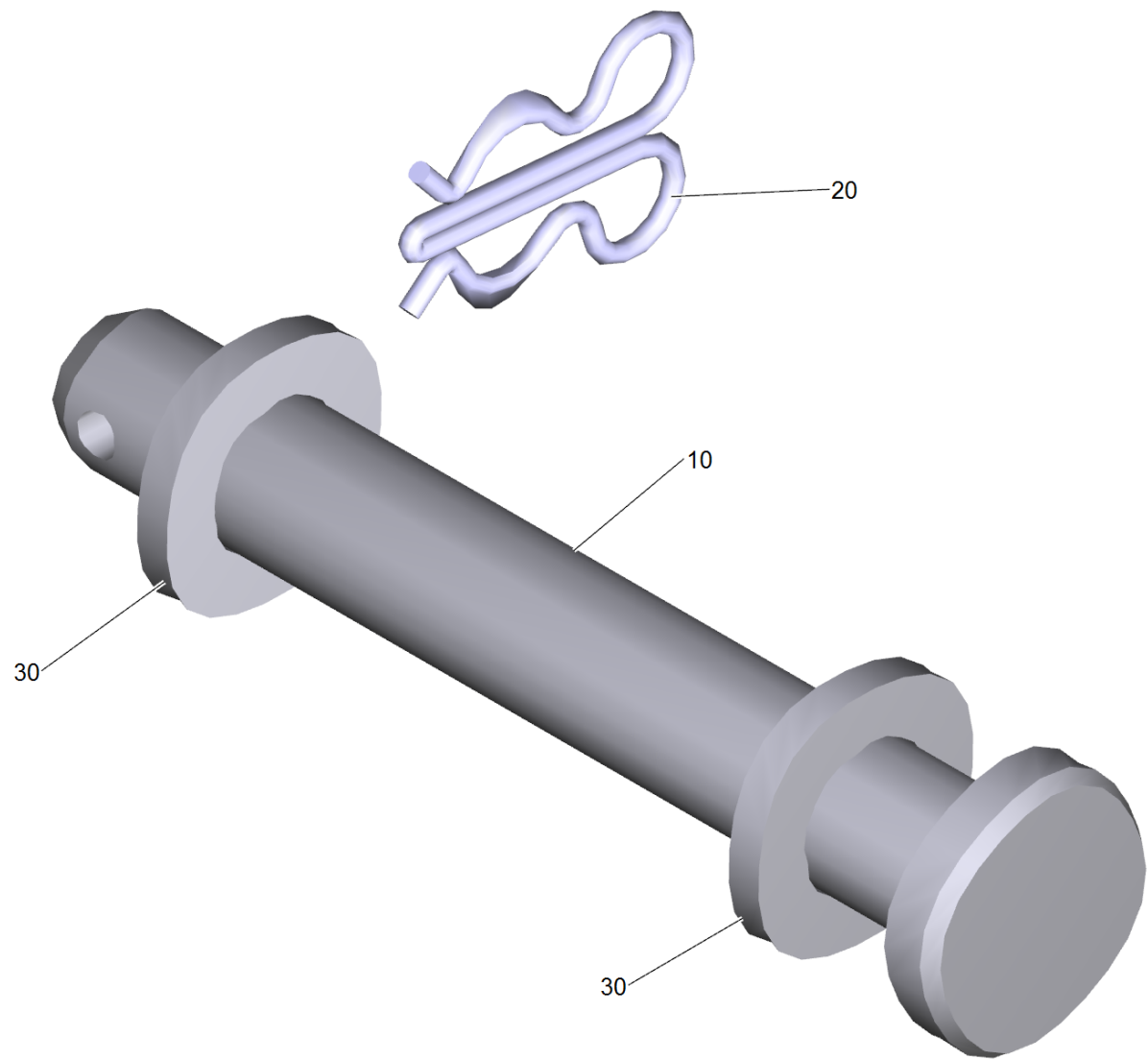
10 Screen filling system (4.035-370.7)

POS	Article no.	Description	Quantity	Unit
20	5.035-418.0	Seal fixing plate	1	PC
30	7.303-107.0	Screw 5x16 -10.9-P2R (K-In6Rd)	4	PC



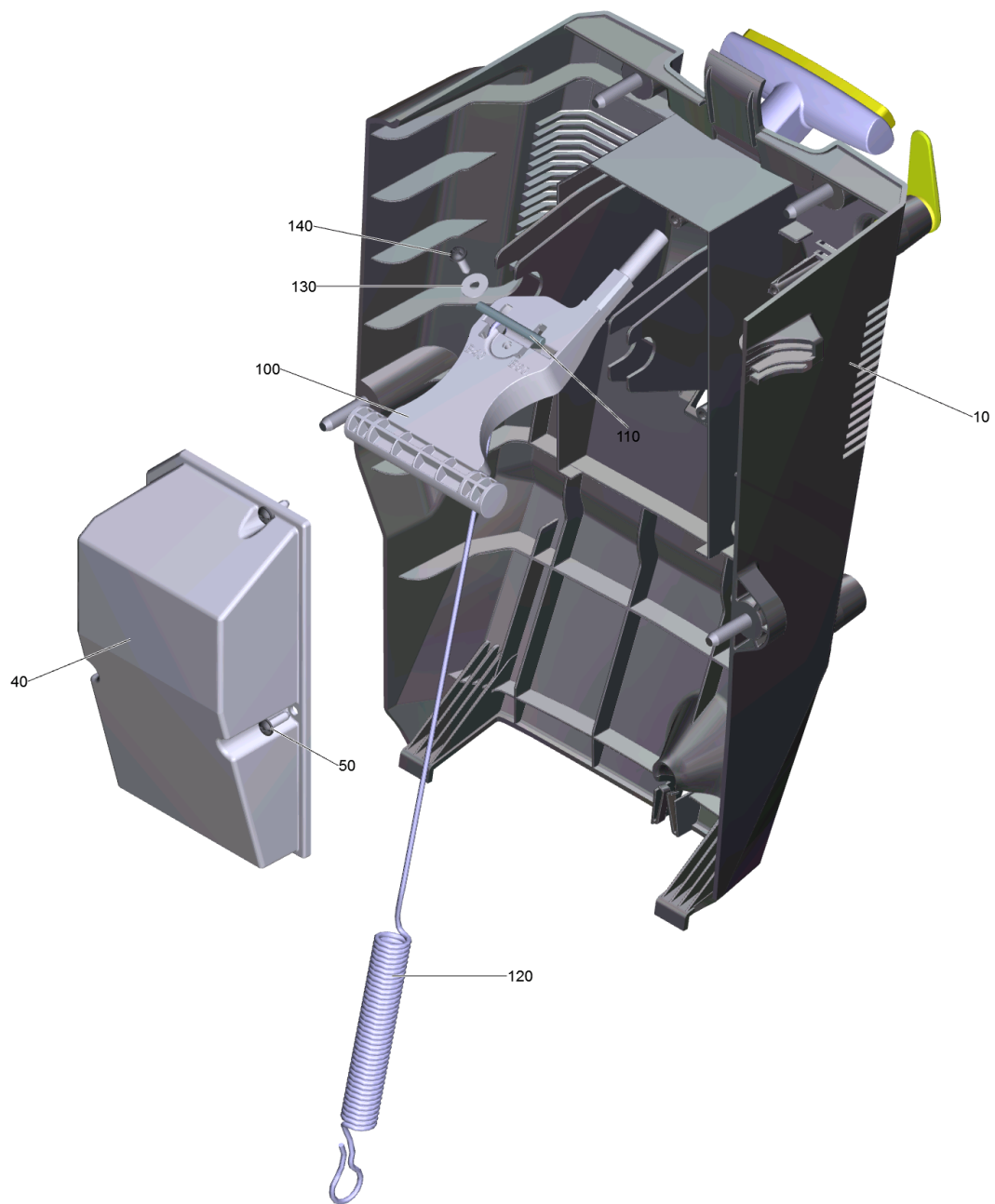
50 Suspension brush-head complete

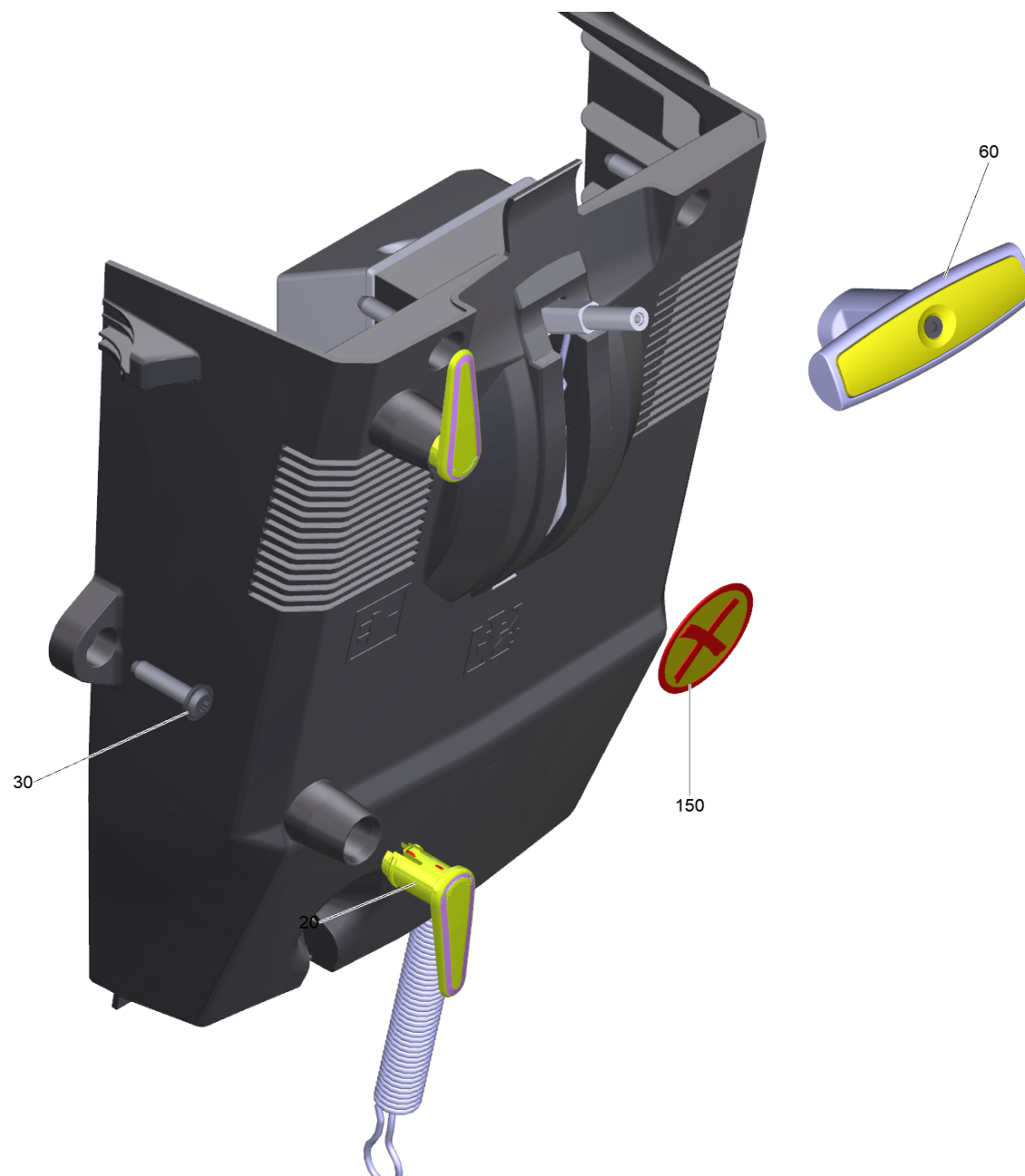
POS	Article no.	Description	Quantity	Unit	Foot note text
10	5.035-675.0	Suspension brush-head triple	1	PC	
20	5.035-377.0	Adjusting element brush-head	1	PC	
30	4.035-584.0	Bolt complete	1	PC	VERSION 2
30	5.035-865.0	Handhold bolt brush-head	1	PC	VERSION 1
50	7.304-262.0	Hexagonal head screw M8x60-A4-70 ISO 40	1	PC	
60	7.311-068.0	Hexagon nut M 8-A2-70 ISO 4032	2	PC	
70	7.312-004.0	Washer 8 -200HV-A3E ISO 7089	2	PC	
80	5.035-370.0	Lever plate brush-head	1	PC	
90	7.312-005.0	Washer 10-200HV-A3E ISO 7089	2	PC	
100	7.304-417.0	Hexagonal head screw M10x30-8.8-A3E ISO	2	PC	
110	7.306-041.0	Cylinder head screw M8x20 -8.8-A2E ISO	1	PC	
120	5.035-374.0	Pedal brush-head	1	PC	
130	7.311-432.0	Hexagon nut M 8-1.4305 DIN 985	1	PC	



30 Bolt complete (4.035-584.0)

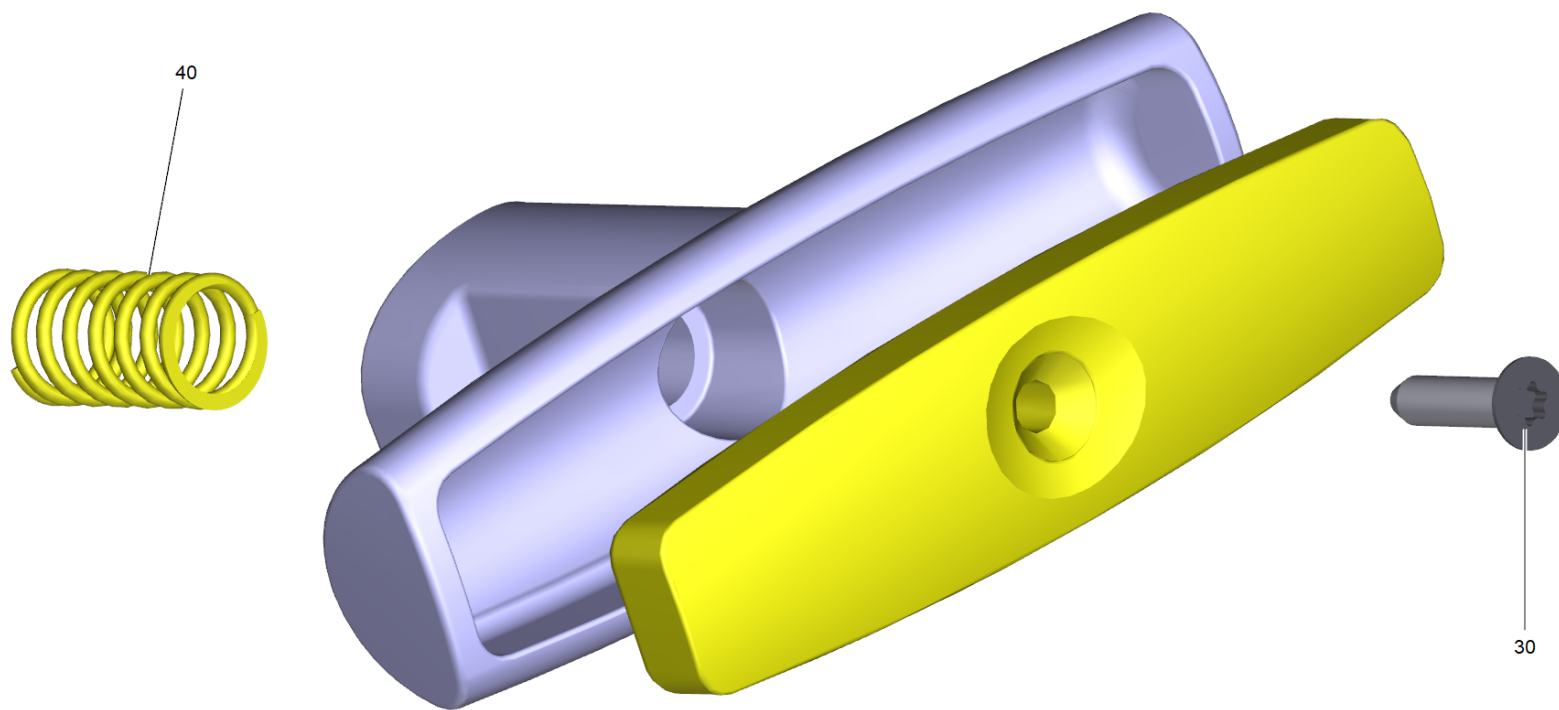
POS	Article no.	Description	Quantity	Unit
10	7.316-045.0	Bolt B 10x75 -St-A2E ISO 2341	1	PC
20	6.035-047.0	Spring clip double	1	PC
30	7.312-153.0	Washer 10 -160HV-A3E EN28738	2	PC





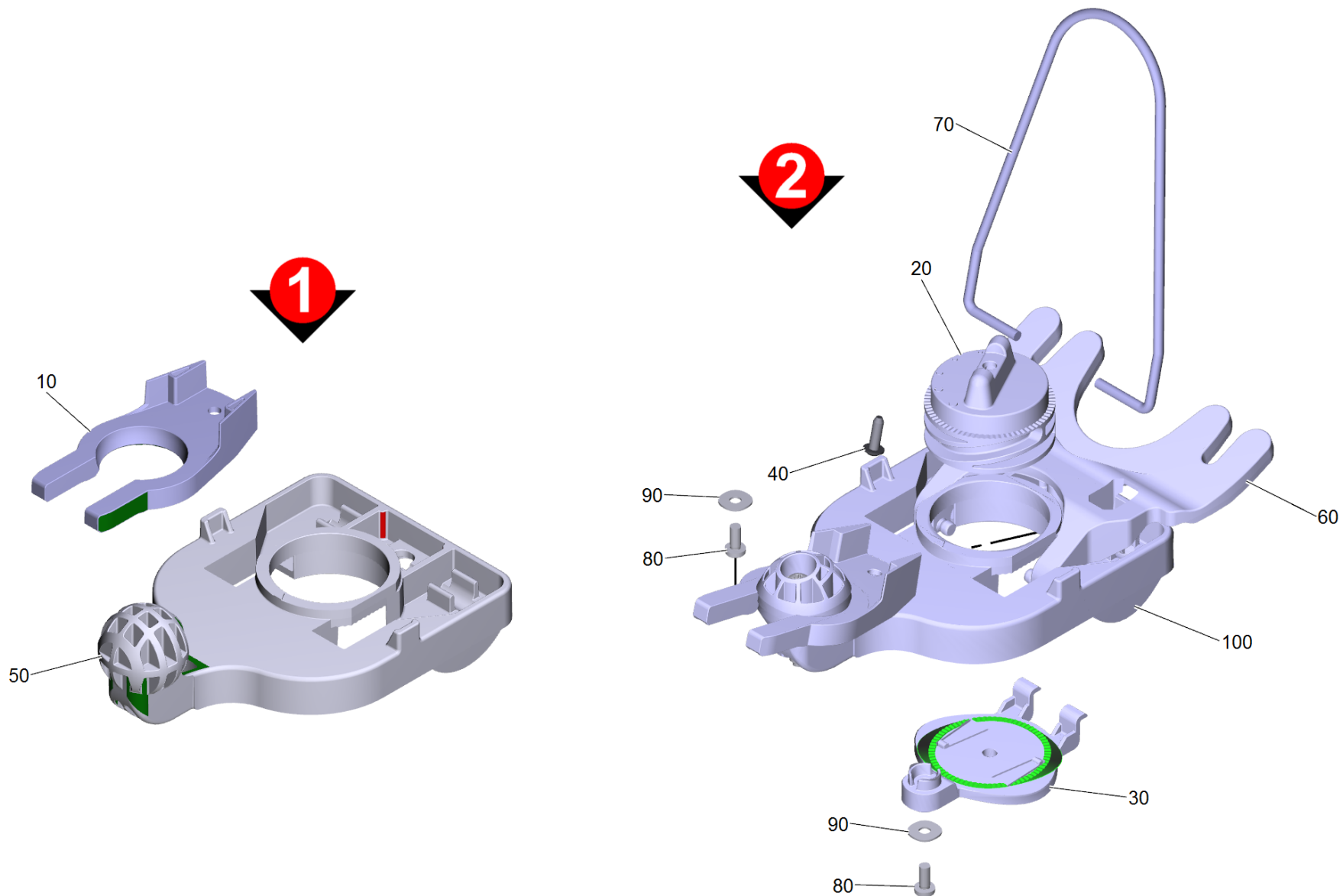
80 Covering cap rear complete

POS	Article no.	Description	Quantity	Unit
10	5.035-366.0	Covering cap	1	PC
20	5.044-661.0	Catch for cable yellow	2	PC
30	6.303-315.0	Screw 8 x 35	4	PC
40	5.035-446.0	Cover covering cap rear	1	PC
50	7.303-107.0	Screw 5x16 -10.9-P2R (K-In6Rd)	3	PC
60	4.035-612.0	Set handhold adjustment	1	PC
100	5.035-445.0	Lever suction bar	1	PC
110	5.035-453.0	Axle lever suction bar	1	PC
120	5.035-423.0	Extension spring	1	PC
130	7.312-282.0	Washer 5 -A2 ISO 7093-1	1	PC
140	7.303-107.0	Screw 5x16 -10.9-P2R (K-In6Rd)	1	PC
150	5.380-889.0	Warning sign BR-BD 750	1	PC



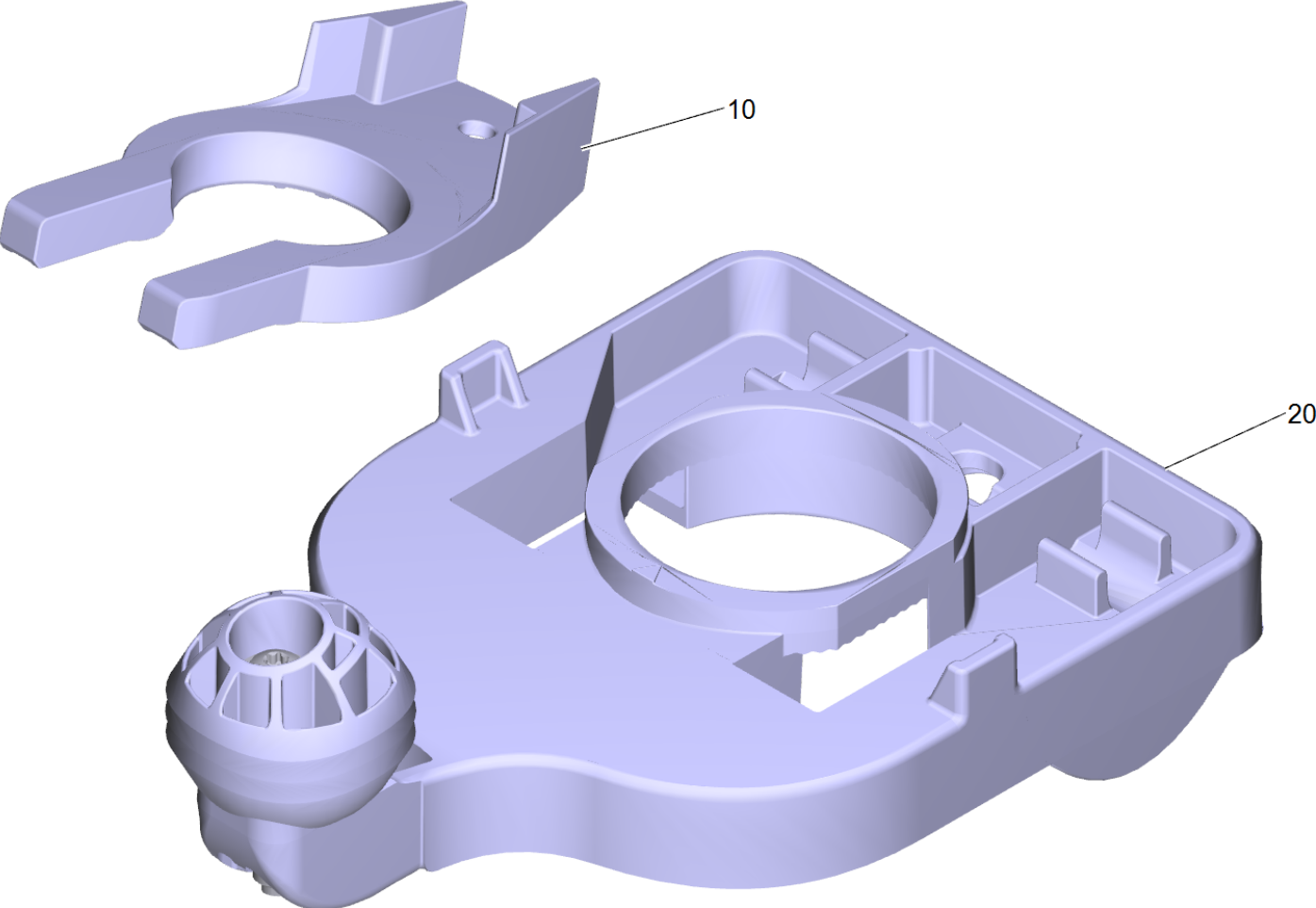
60 Set handhold adjustment (4.035-612.0)

POS	Article no.	Description	Quantity	Unit
30	7.303-128.0	Countersunk screw 5x20 -10.9-R2R (In6Rd)	1	PC
40	5.332-481.0	Helical spring	1	PC



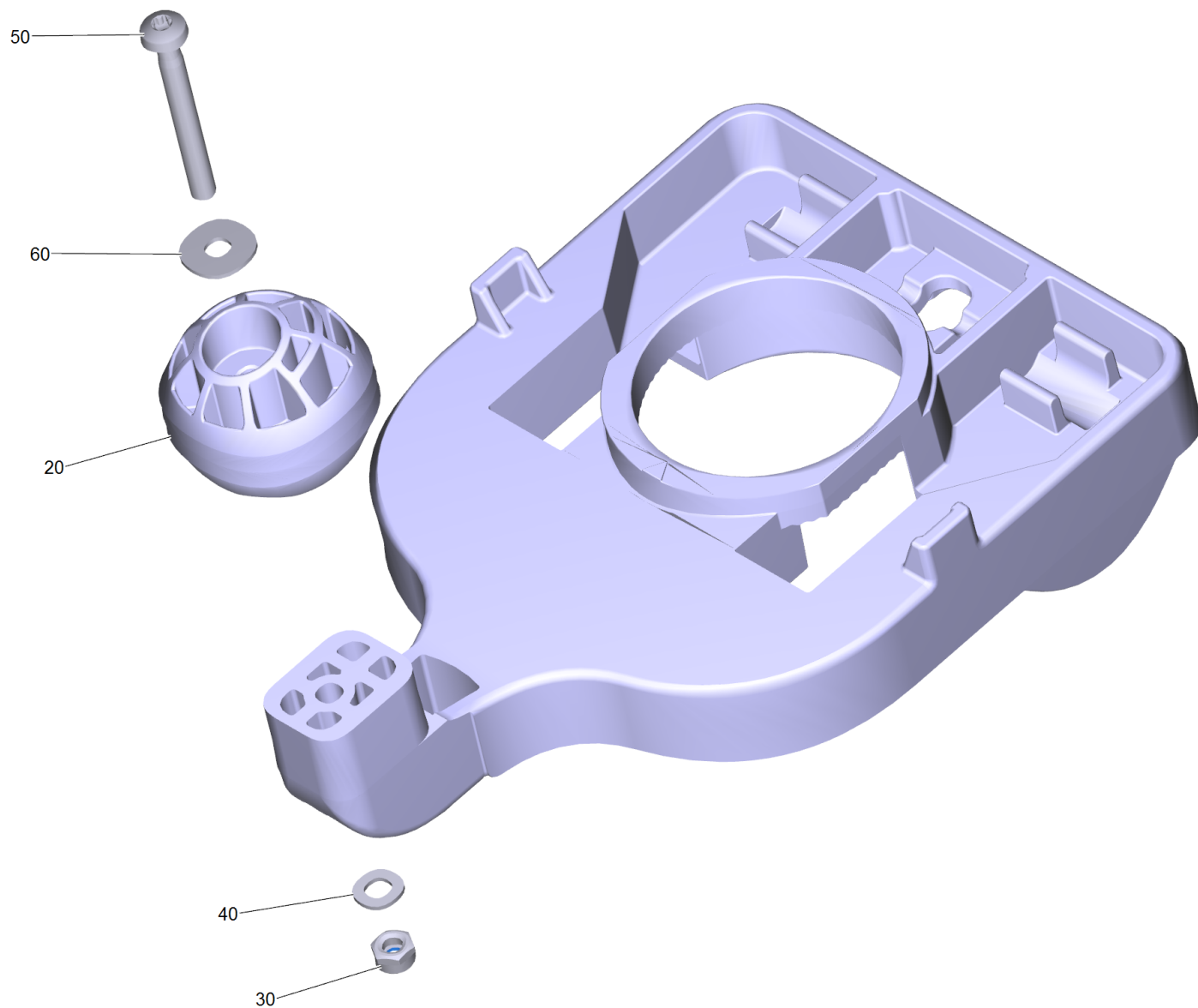
90 Suction bar lifting complete

POS	Article no.	Description	Quantity	Unit	Foot note text
10	7.777-999.0	Stockpiling discontinued	1	PC	VERSION 1
20	5.035-292.0	Adjusting knob suction bar tothing	1	PC	
30	5.035-293.0	Covering cap suction bar tothing	1	PC	
40	7.303-109.0	Screw 5x25 -10.9-R2R (In6Rd)	1	PC	
50	7.777-999.0	Stockpiling discontinued	1	PC	VERSION 1
60	5.036-103.0	Rocker suction bar	1	PC	
70	5.035-382.0	Retaining bracket suction bar	1	PC	
80	6.306-003.0	Screw M5X12-A2/70-ISO 14583 (IN6RD)	2	PC	with microencapsulation
90	7.312-282.0	Washer 5 -A2 ISO 7093-1	2	PC	
100	4.035-583.0	Holder suction bar complete	1	PC	VERSION 2



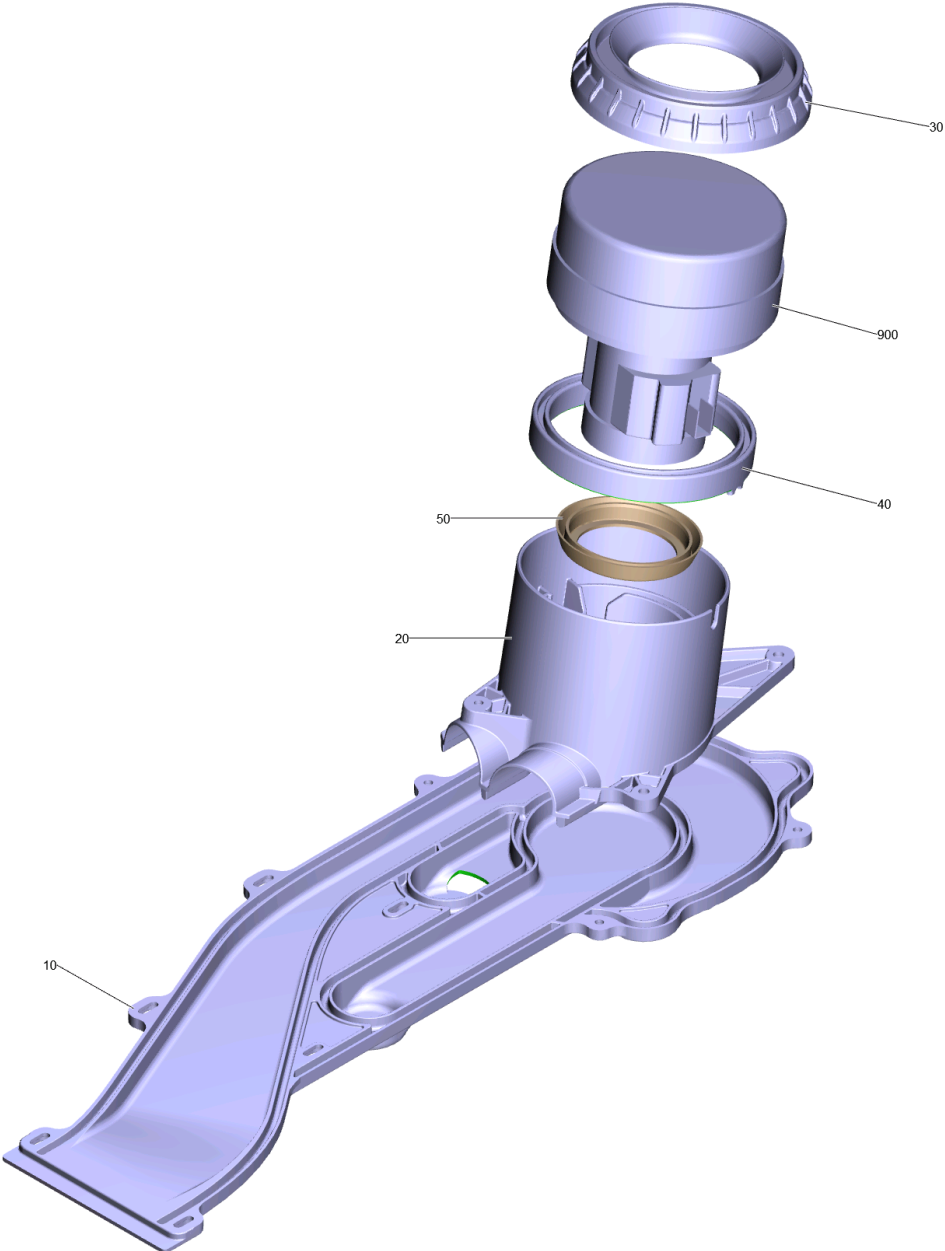
100 Holder suction bar complete (4.035-583.0)

POS	Article no.	Description	Quantity	Unit
10	5.005-005.0	FIXING PLATE SUCTION BAR ALU	1	PC
20	4.037-137.3	Holder suction bar	1	PC



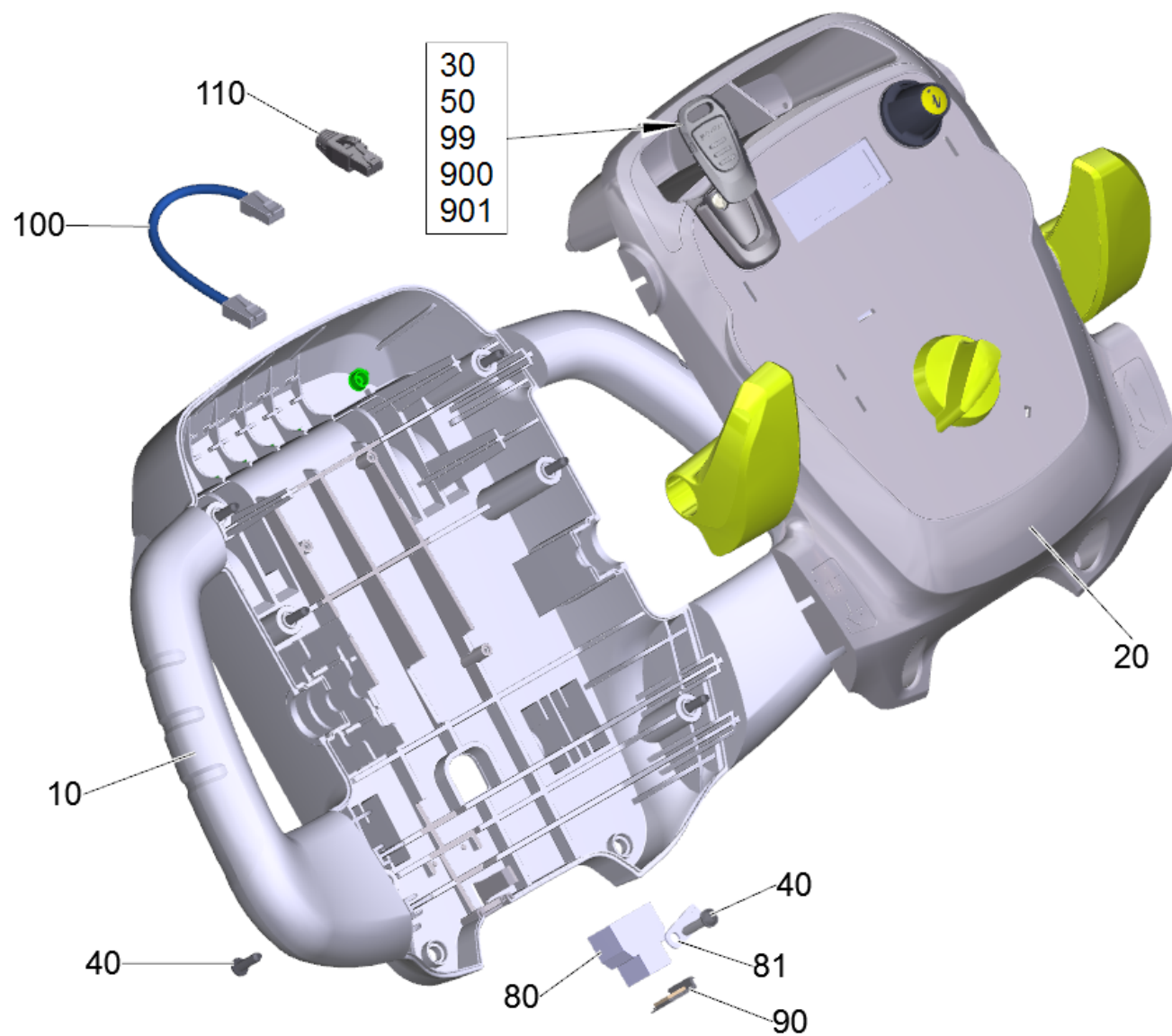
20 Holder suction bar (4.037-137.3)

POS	Article no.	Description	Quantity	Unit
20	5.037-579.0	Sphere suction bar suspension	1	PC
30	7.311-431.0	Hexagon nut M 5-1.4305 DIN 985	1	PC
40	7.312-052.0	Washer 5 -A2 ISO 7089	1	PC
50	7.306-215.0	Screw M5x45 -8.8-P2R (In6Rd)	1	PC
60	7.312-282.0	Washer 5 -A2 ISO 7093-1	1	PC



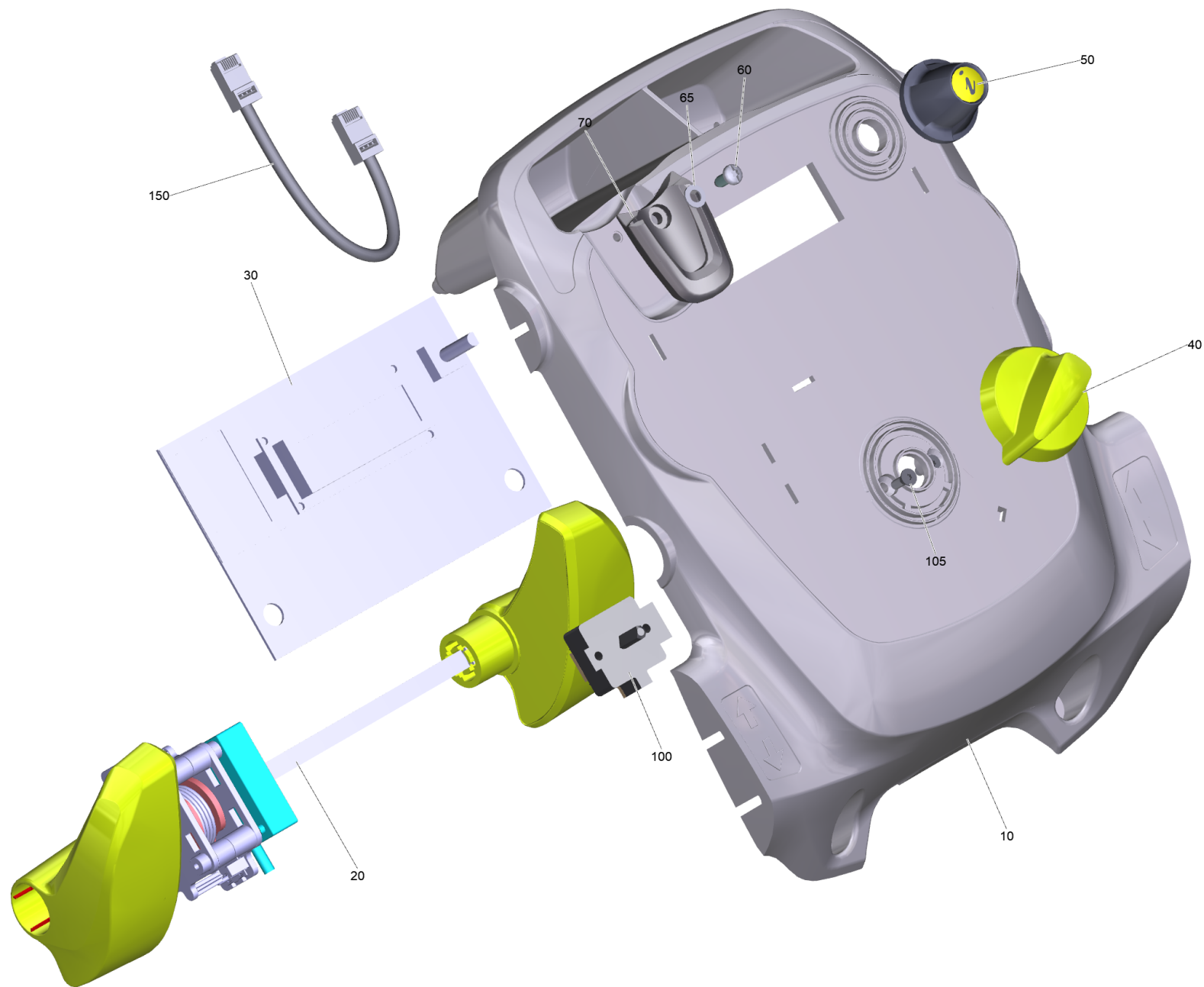
100 Vacuum motor enclosure

POS	Article no.	Description	Quantity	Unit
10	5.034-034.0	Air circulation turbine above foamed	1	PC
20	5.034-032.0	Air circulation turbine bottom	1	PC
30	5.035-333.0	Bearing vacuum motor	1	PC
40	5.035-332.0	Joint ring turbine	1	PC
50	5.363-395.0	Seal	1	PC
900	4.035-580.0	Vacuum motor replacement	1	PC
910	4.034-009.0	Air circulation turbine replacement	1	PC



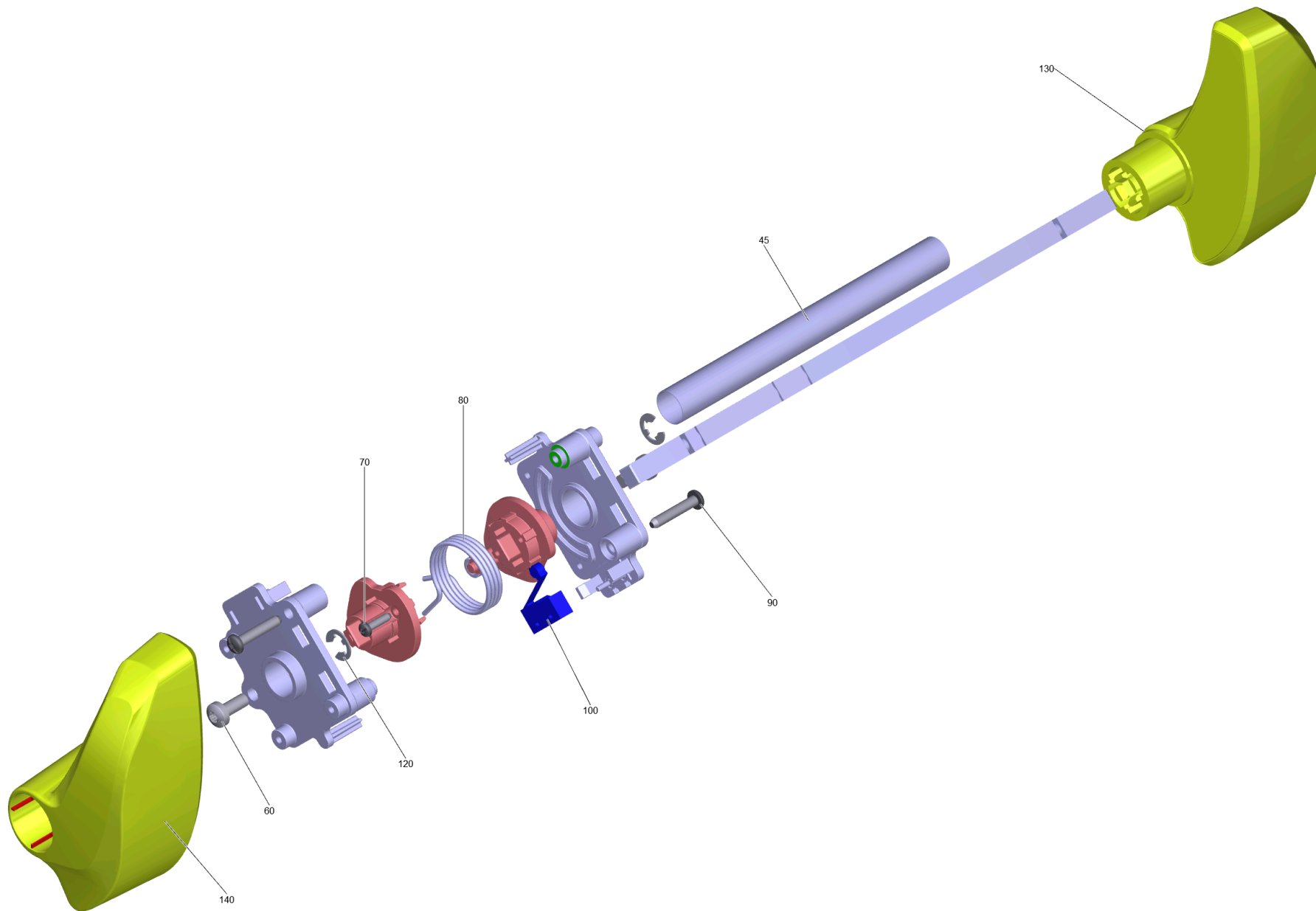
20 Control panel complete BAT C

POS	Article no.	Description	Quantity	Unit	Foot note text
10	4.035-130.0	Housing control panel replacement Bp C	1	PC	WITHOUT SLOT FOR 5.033-829.0
10	5.035-219.0	Housing bottom part control panel	1	PC	WITH SLOT FOR 5.033-829.0
20		Covering cap control panel complete BAT	1	PC	
30	5.035-344.0	Key yellow KIK	1	PC	
40	7.303-108.0	Screw 5x20 -10.9-R2R (In6Rd)	7	PC	
50	5.035-348.0	Key grey KIK	1	PC	
60	4.035-430.0	Cable harness control panel replacement	1	PC	
80	6.330-111.0	Adapter RJ45 Y-Splitter	1	PC	
81	5.035-196.0	Plate stiffener	1	PC	VERSION 2
90	5.033-829.0	Rubber stopper control panel	1	PC	
99	4.035-064.0	Set key white KIK	1	PC	SET WITH 5 PIECES
99	5.035-337.0	Key red KIK	1	PC	
100	6.882-000.0	Cable blue Patch	1	PC	
110	6.640-751.0	Adapter plug at the Y CAN	1	PC	
900	4.035-076.0	Key white KIK	1	PC	
901	4.035-408.0	Set key yellow KIK	1	PC	



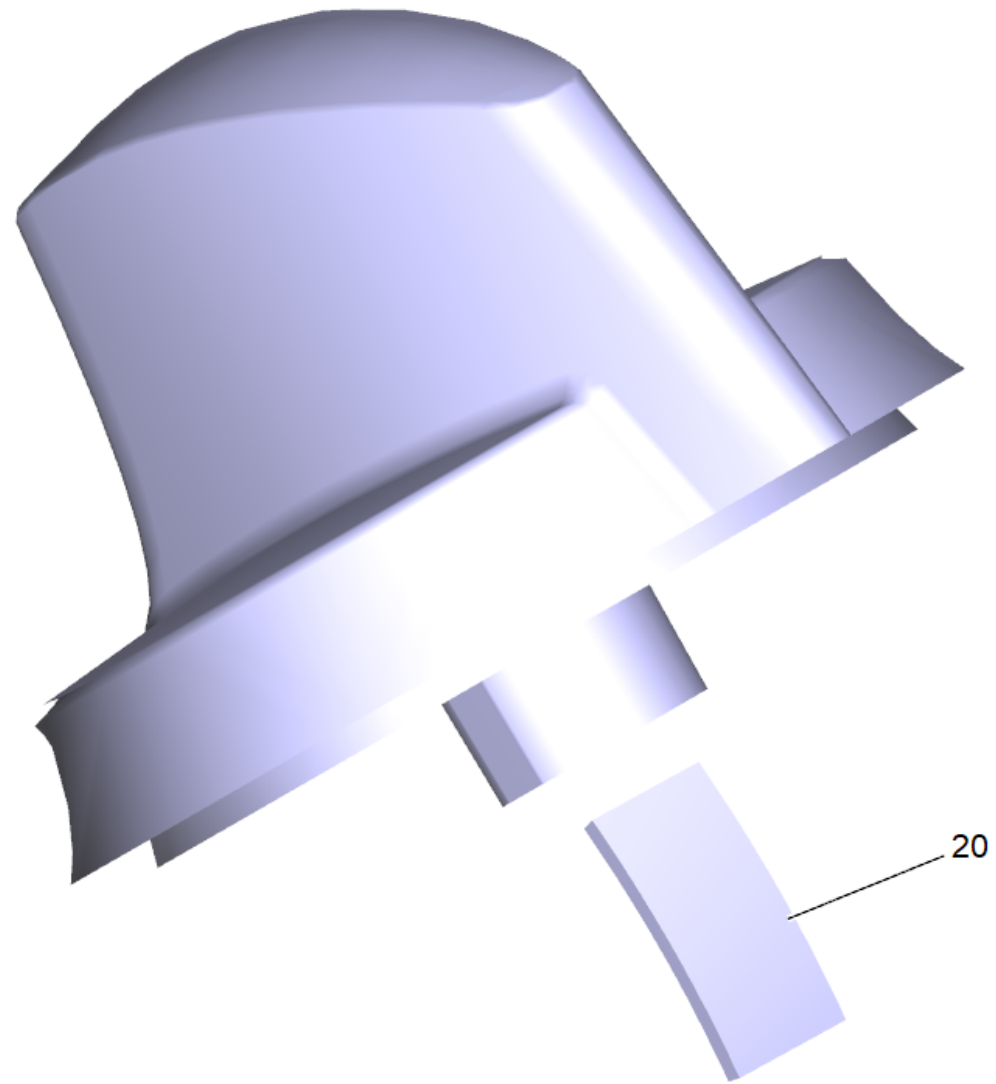
20 Covering cap control panel complete BAT

POS	Article no.	Description	Quantity	Unit	Foot note text
10	4.035-117.0	Covering cap control panel replacement B	1	PC	WITH SLOT FOR 5.033-829.0
10	4.035-412.0	Covering cap control panel foil Bp C	1	PC	WITHOUT SLOT FOR 5.033-829.0
20	4.035-984.0	Tachograph set Bp	1	PC	
30	4.683-310.0	Circuit board replacement C	1	PC	
40	4.035-608.0	Handhold operational concept complete	1	PC	
50	5.321-750.0	Handhold info panel	1	PC	
60	7.303-274.0	Screw 5x12 -A2-70 (In6Rd)	1	PC	
65	7.312-052.0	Washer 5 -A2 ISO 7089	1	PC	
70	5.035-343.0	Guide key	1	PC	
100	4.035-415.0	Switch program selection replacement	1	PC	
105	7.305-036.0	Countersunk screw M4x12 -A2-70-s (IN6RD	2	PC	
150	6.649-933.0	Cable Patch	1	PC	



20 Tachograph set Bp (4.035-984.0)

POS	Article no.	Description	Quantity	Unit	Foot note text
45	6.642-014.0	Insulating hose 13	1	m	TO ORDER AS CUT GOODS
60	7.306-394.0	Screw M5x12 -8.8-ZNBHL ISO 14583	2	PC	
70	6.303-557.0	Screw 3x12 Kombitorx T8	2	PC	
80	6.330-441.0	Torsion spring tachograph	1	PC	
90	7.303-096.0	Screw 4x22-ST-10.9-R2R (IN6RD)	2	PC	
100	6.630-732.0	Switch gold plated	1	PC	
120	7.343-201.0	Lock washer 6-FST-PHR DIN 6799	2	PC	
130	4.035-495.0	Tachograph right complete	1	PC	
140	4.035-496.0	Tachograph left complete	1	PC	

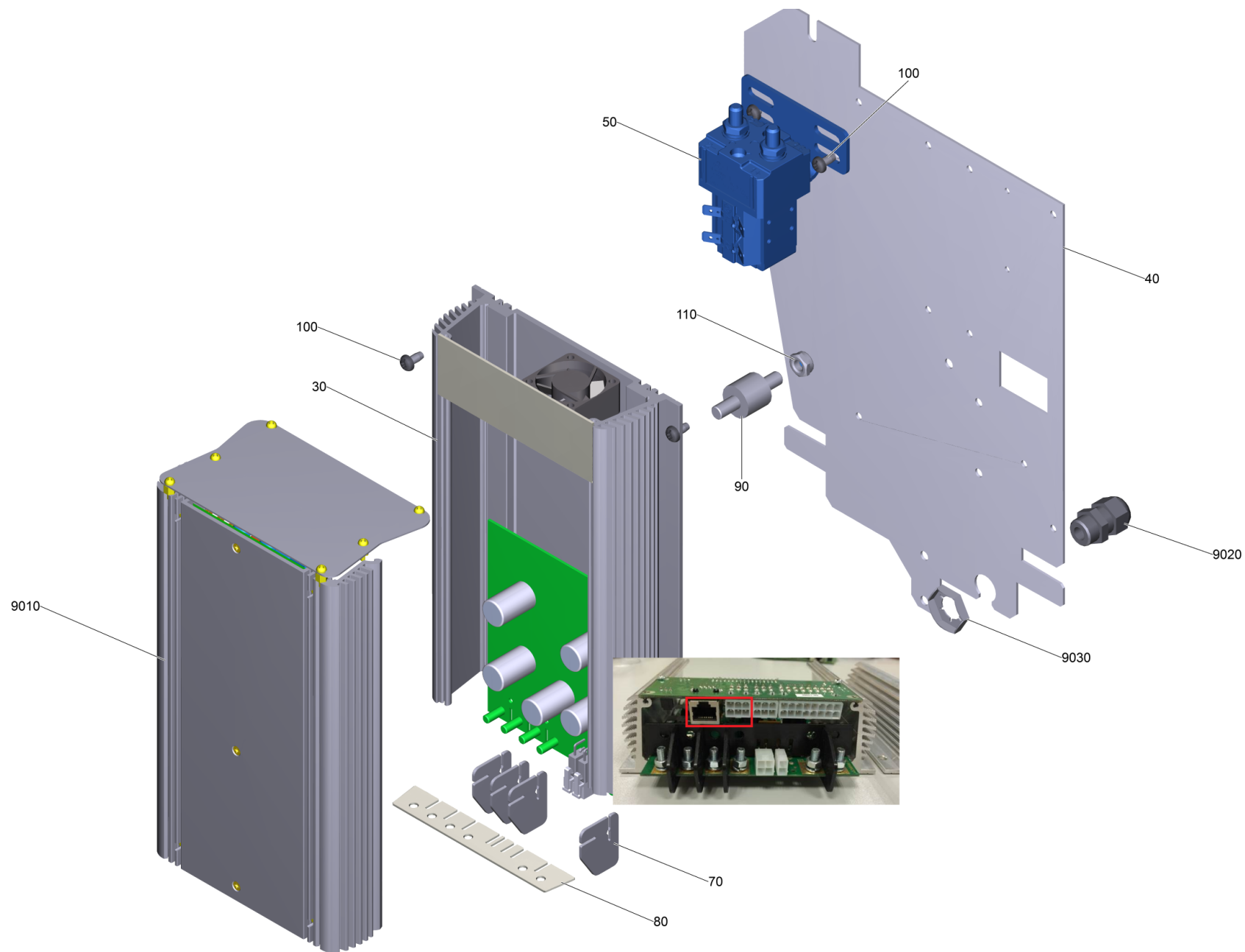


40 Handhold operational concept complete (4.035-608.0)

POS	Article no.	Description	Quantity	Unit
20	6.313-014.0	Spring element	1	PC

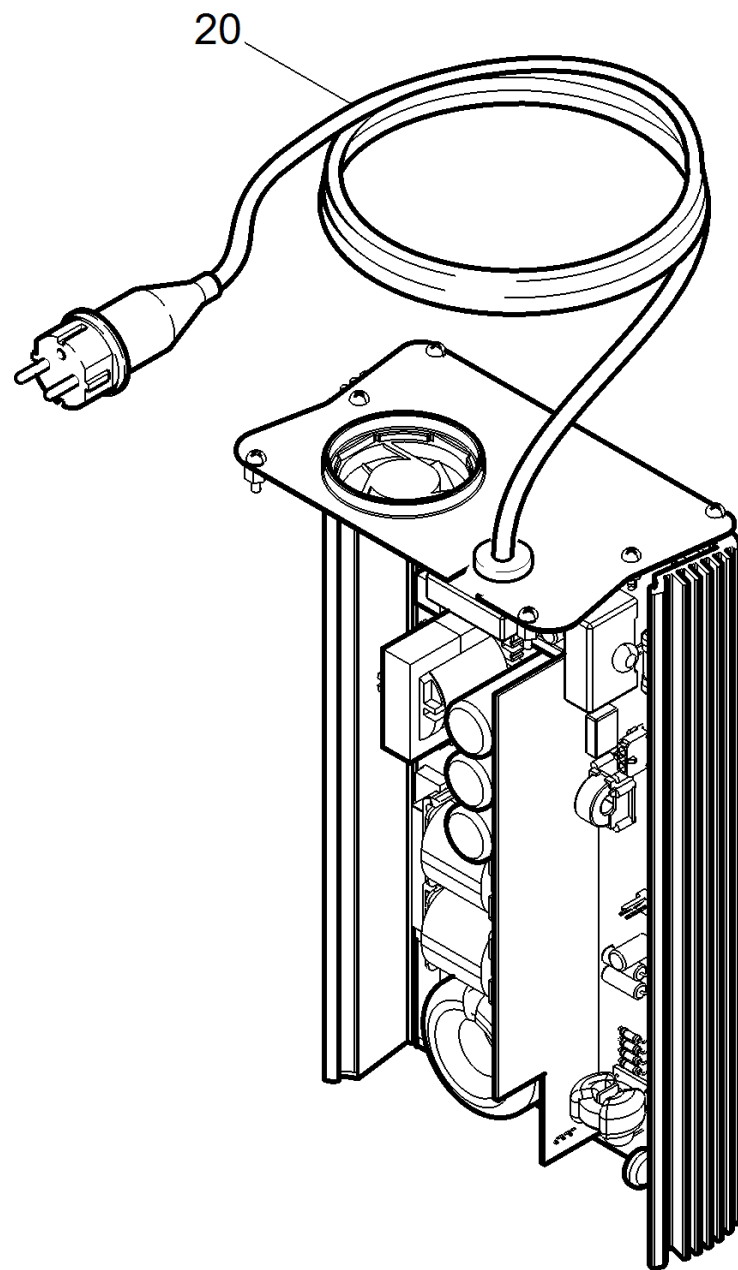
901 Set key yellow KIK (4.035-408.0)

POS	Article no.	Description	Quantity	Unit
10	5.035-344.0	Key yellow KIK	5	PC
20	6.590-355.0	Bag PE 130x140 mm neutral	1	PC
30	6.376-020.0	Label 65X55 MM	1	ZST



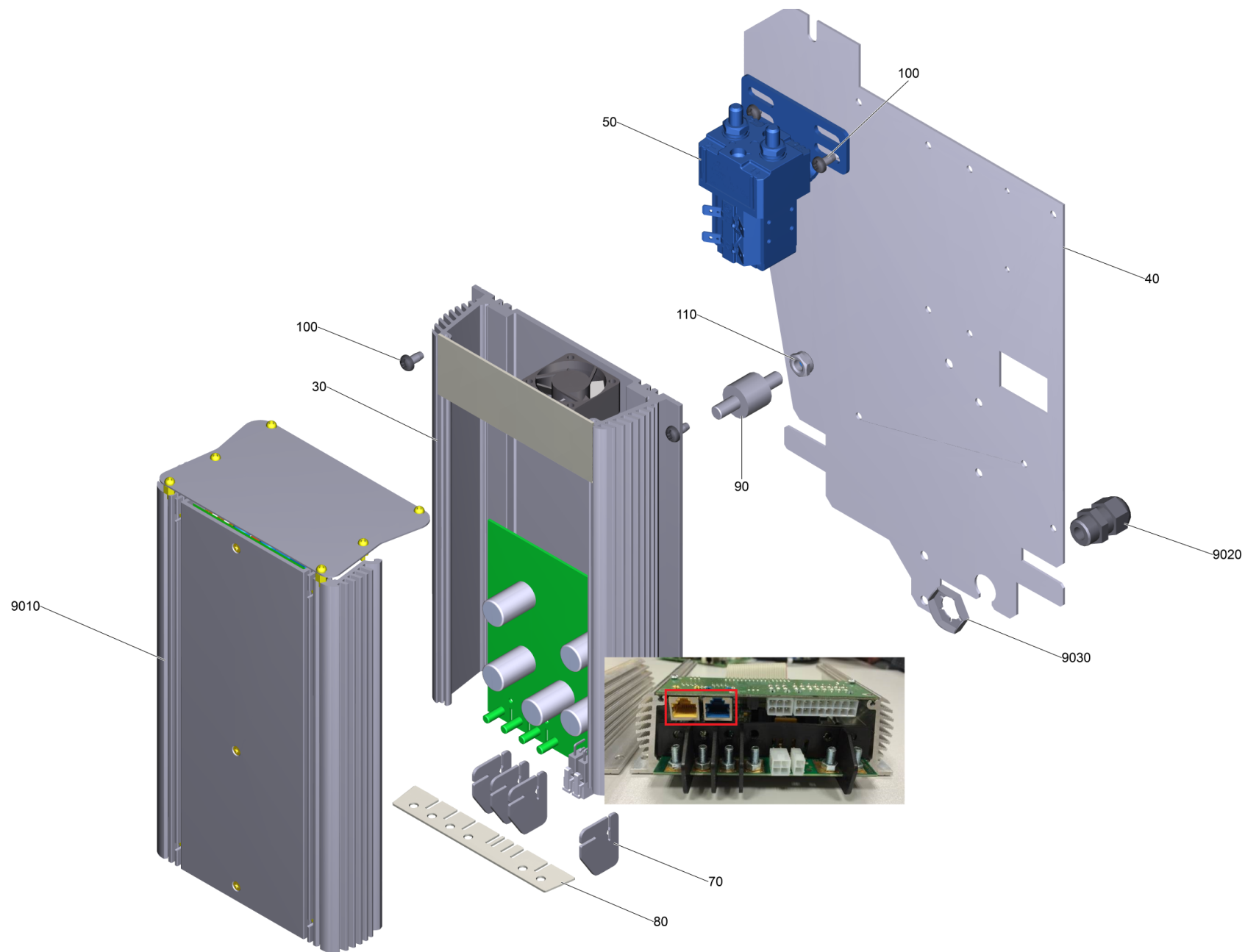
40 Electric equipment B40 C Bp Dose

POS	Article no.	Description	Quantity	Unit
10	4.822-899.0	Cable harness B40 C Bp	1	PC
30	4.683-074.0	Electronics control system replacement B	1	PC
40	5.035-449.0	Plate base plate electronics	1	PC
50	6.633-044.0	Relay 120A	1	PC
50	6.633-389.0	Relay 24VDC / 100A	1	PC
70	5.035-359.0	Moulded part plate electronics klein	4	PC
80	5.035-362.0	Moulded part plate electronics	1	PC
90	6.652-033.0	Isolator	1	PC
100	7.303-037.0	Screw M5x10 -St-P2R (In6Rd)	6	PC
110	7.311-427.0	Hexagon nut M8 -04-A2E DIN 985	1	PC
120	6.648-399.0	Cable gland black M16x1,5	1	PC
130	7.777-999.0	Stockpiling discontinued	1	PC
9000	6.645-554.0	Connecting cable control system battery charger	1	PC
9010	6.654-337.0	Battery charger replacement B 40 Japan	1	PC
9010	6.683-119.0	Battery charger replacement B 40 *EU	1	PC
9020	6.648-399.0	Cable gland black M16x1,5	1	PC
9030	7.777-999.0	Stockpiling discontinued	1	PC



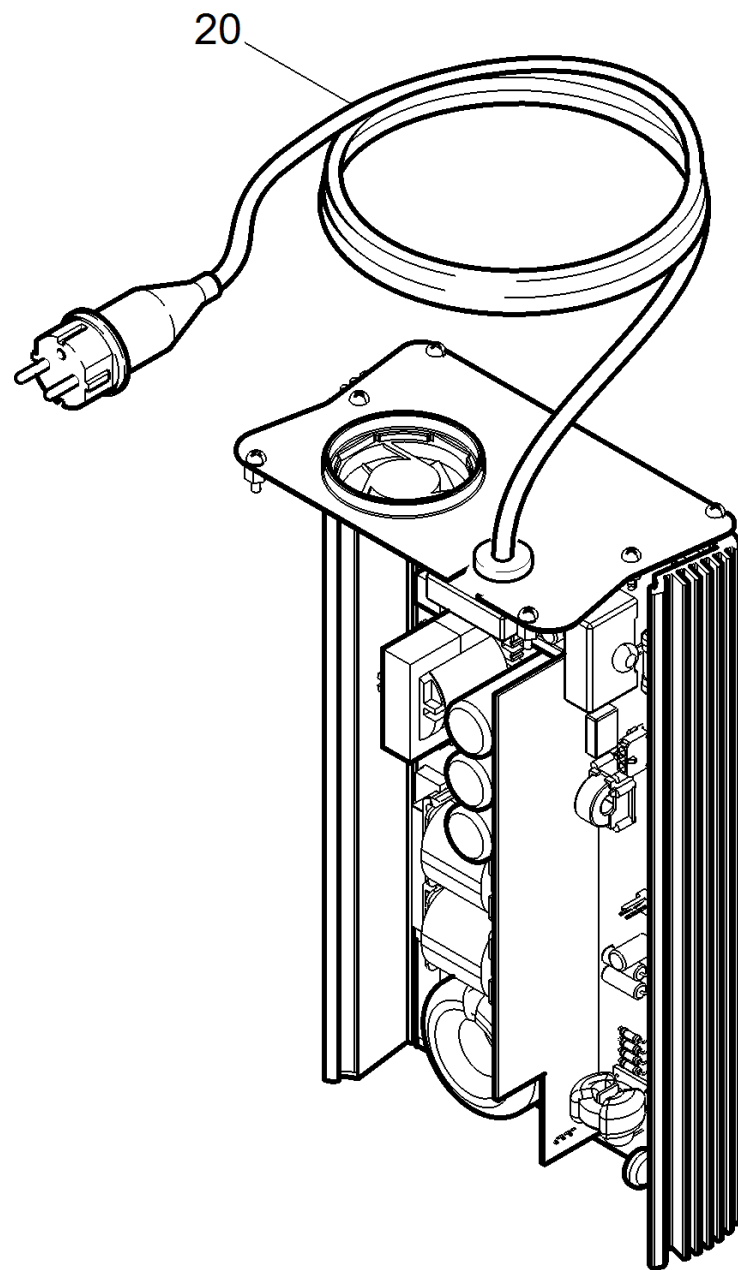
9010 Battery charger replacement B 40 *EU (6.683-119.0)

POS	Article no.	Description	Quantity	Unit	Remark
20	6.645-553.0	Cable with plug	1	PC	*EU
20	6.645-586.0	Cable with plug B40-USA	1	PC	*US



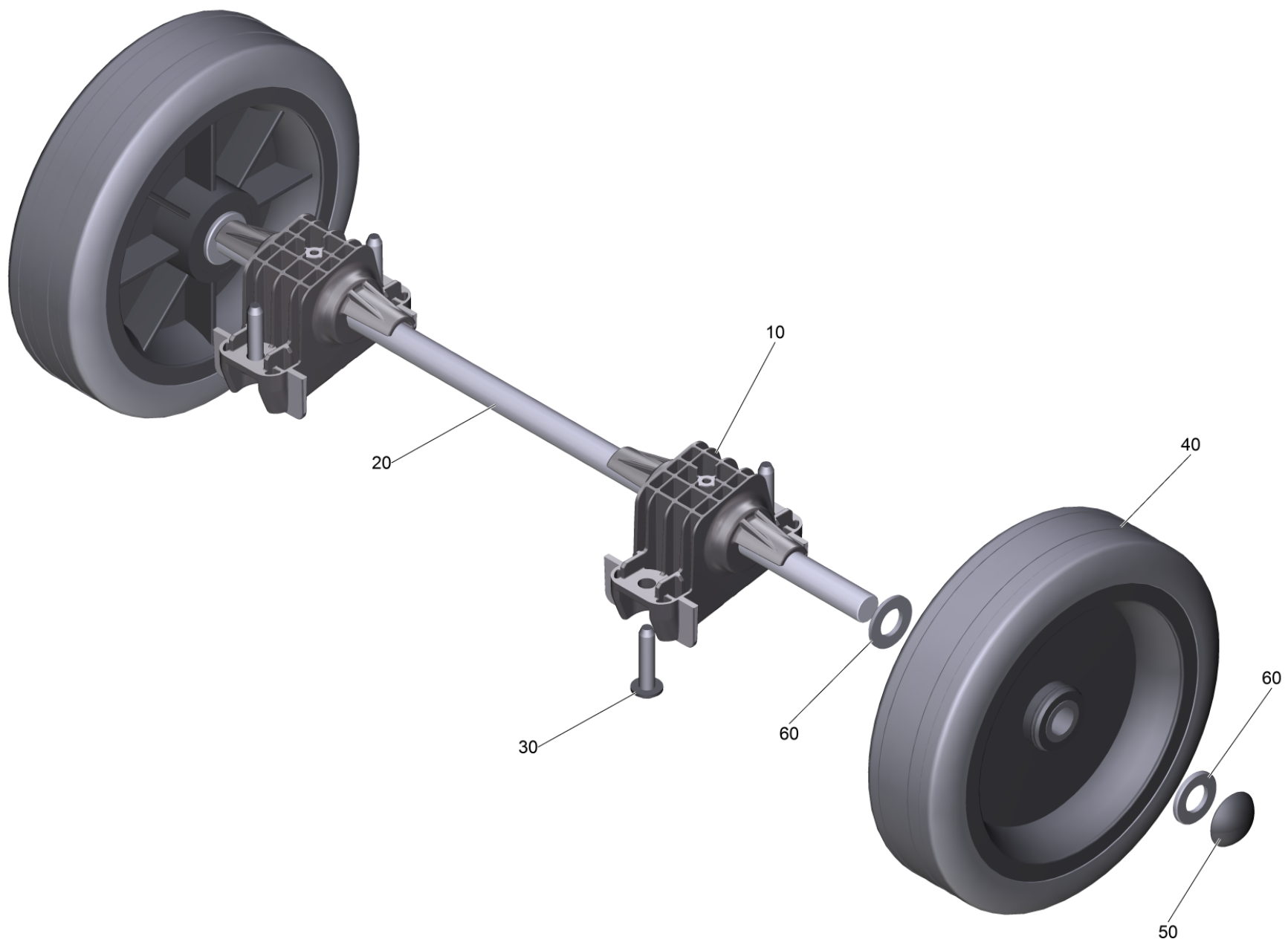
40 Electric equipment B40 C BP Dose CAN

POS	Article no.	Description	Quantity	Unit	Remark
10	4.822-899.0	Cable harness B40 C Bp	1	PC	
30	4.683-074.0	Electronics control system replacement B	1	PC	
40	5.035-449.0	Plate base plate electronics	1	PC	
50	4.633-110.0	Relay replacement set	1	PC	
70	5.035-359.0	Moulded part plate electronics klein	4	PC	
80	5.035-362.0	Moulded part plate electronics	1	PC	
90	6.652-033.0	Isolator	1	PC	
100	7.303-037.0	Screw M5x10 -St-P2R (In6Rd)	6	PC	
110	7.311-427.0	Hexagon nut M8 -04-A2E DIN 985	1	PC	
9000	6.645-554.0	Connecting cable control system battery charger	1	PC	
9010	6.654-337.0	Battery charger replacement B 40 Japan	1	PC	*JP
9010	6.683-119.0	Battery charger replacement B 40 *EU	1	PC	
9020	6.648-399.0	Cable gland black M16x1,5	1	PC	
9030	7.777-999.0	Stockpiling discontinued	1	PC	



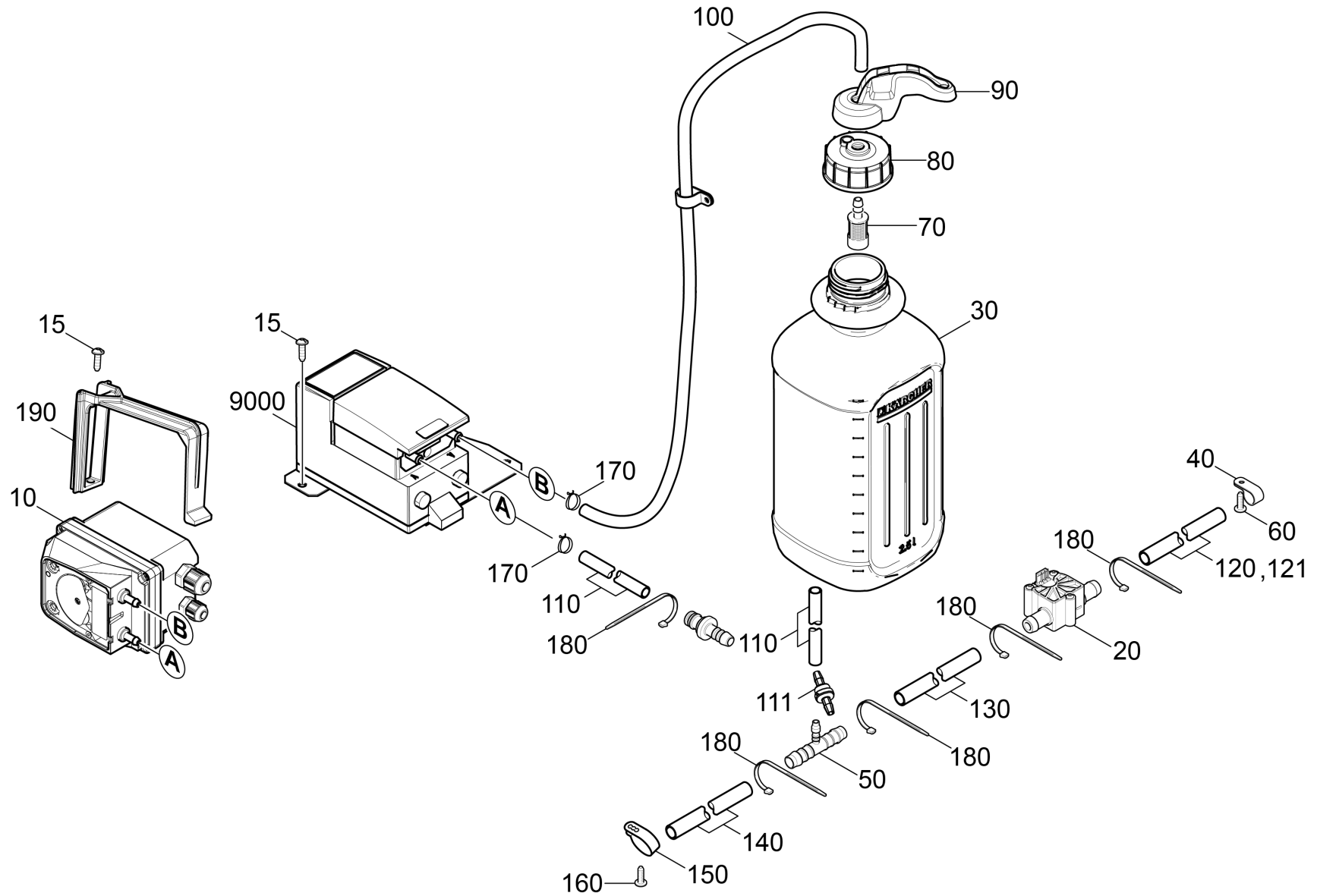
9010 Battery charger replacement B 40 *EU (6.683-119.0)

POS	Article no.	Description	Quantity	Unit	Remark
20	6.645-553.0	Cable with plug	1	PC	*EU
20	6.645-586.0	Cable with plug B40-USA	1	PC	*US



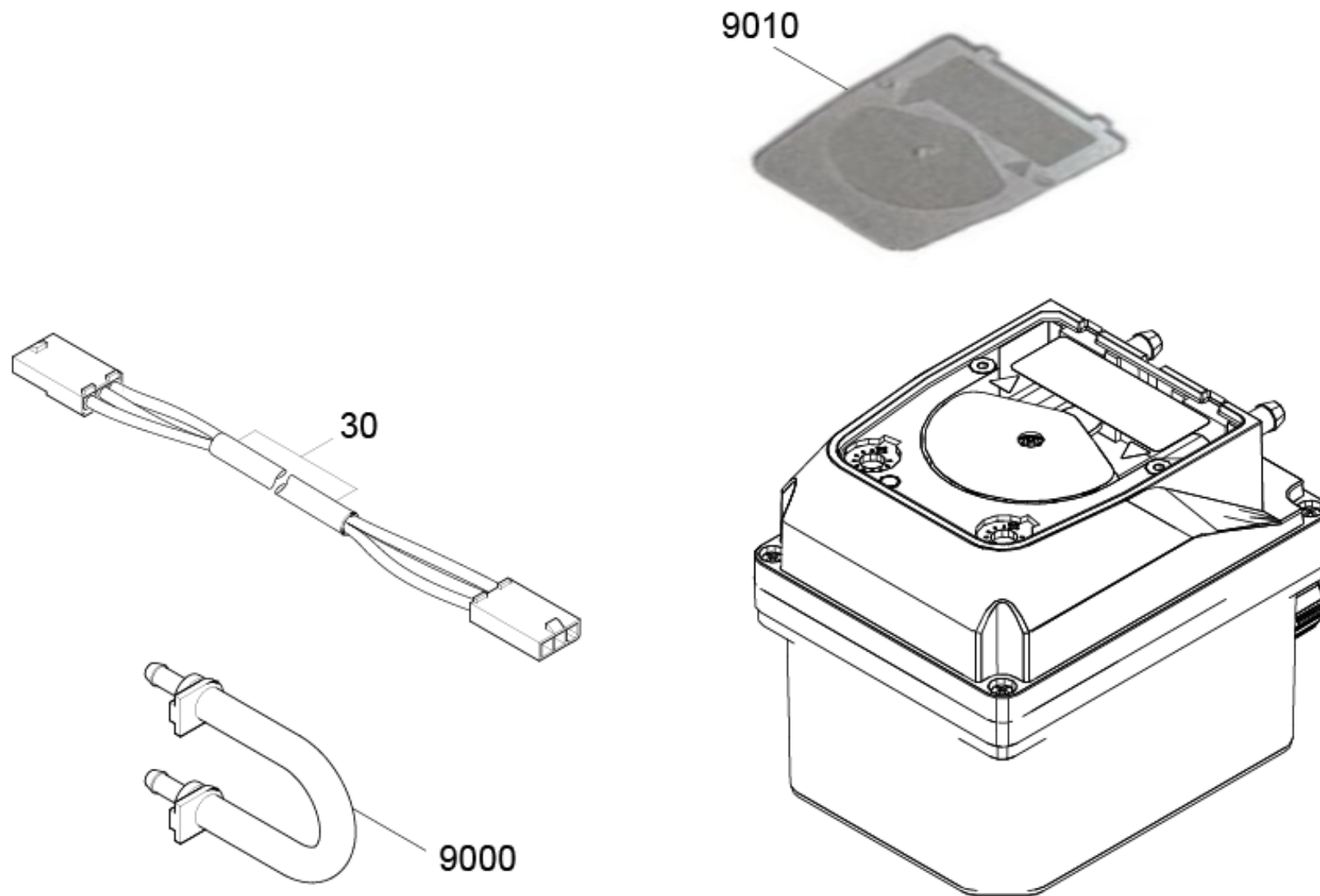
70 Axle complete

POS	Article no.	Description	Quantity	Unit
10	5.035-352.0	Holder axle	2	PC
20	5.035-360.0	Wheel axle carriage	1	PC
30	6.303-315.0	Screw 8 x 35	4	PC
40	6.435-412.0	Wheel D 200	2	PC
50	6.343-240.0	Lock washer	2	PC
60	7.312-028.0	Washer 14-200HV-A3E ISO7089	4	PC



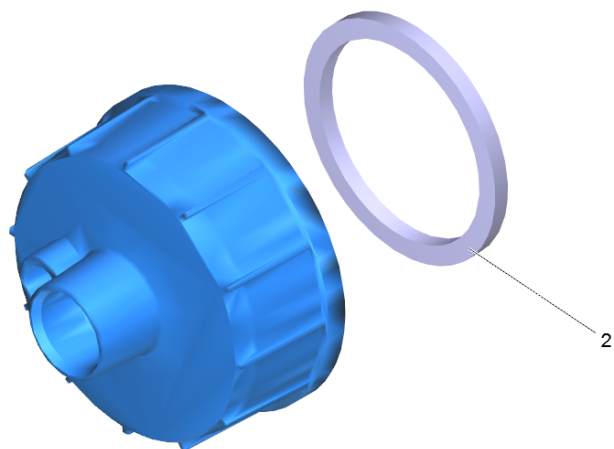
80 RM tin B40

POS	Article no.	Description	Quantity	Unit	Foot note text
10	4.762-028.0	Dosing pump replacement B40 B60 B80	1	PC	
15	7.303-107.0	Screw 5x16 -10.9-P2R (K-In6Rd)	1	PC	
20	6.429-038.3	Flowmetre	1	PC	
30	6.295-915.0	RM 756** 2,5l Multi Cleaner	1	PC	
40	6.373-877.0	Hose clip	4	PC	
50	6.395-188.0	T-Piece 12-6-12	1	PC	
60	7.303-107.0	Screw 5x16 -10.9-P2R (K-In6Rd)	4	PC	
70	5.731-652.0	Filter with weight	1	PC	
80	4.060-866.0	Cover cleaning agents complete	1	PC	
90	5.035-659.0	Hose guide cleaning agents	1	PC	
100	6.391-341.0	Hose chemistry DN 6	0,54	m	TO ORDER AS CUT GOODS
110	6.391-341.0	Hose chemistry DN 6	0,42	m	TO ORDER AS CUT GOODS
111	6.412-015.0	Check valve	1	PC	
120	6.390-892.0	Spiral hose NW12	0,395	m	TO ORDER AS CUT GOODS
121	5.100-411.0	Spiral hose	0,38	m	TO ORDER AS CUT GOODS
130	6.388-248.0	Hose DN12,7	0,08	m	TO ORDER AS CUT GOODS
140	6.390-892.0	Spiral hose NW12	0,11	m	TO ORDER AS CUT GOODS
150	6.641-461.0	Cable clamp 20	1	PC	
160	7.303-107.0	Screw 5x16 -10.9-P2R (K-In6Rd)	1	PC	
170	6.389-924.0	Hose clip	3	PC	
180	6.641-474.0	Cable tape 8-210	4	PC	
190	5.035-721.0	Holder cleaning agents pump	1	PC	
9000	7.777-999.0	Stockpiling discontinued	1	PC	



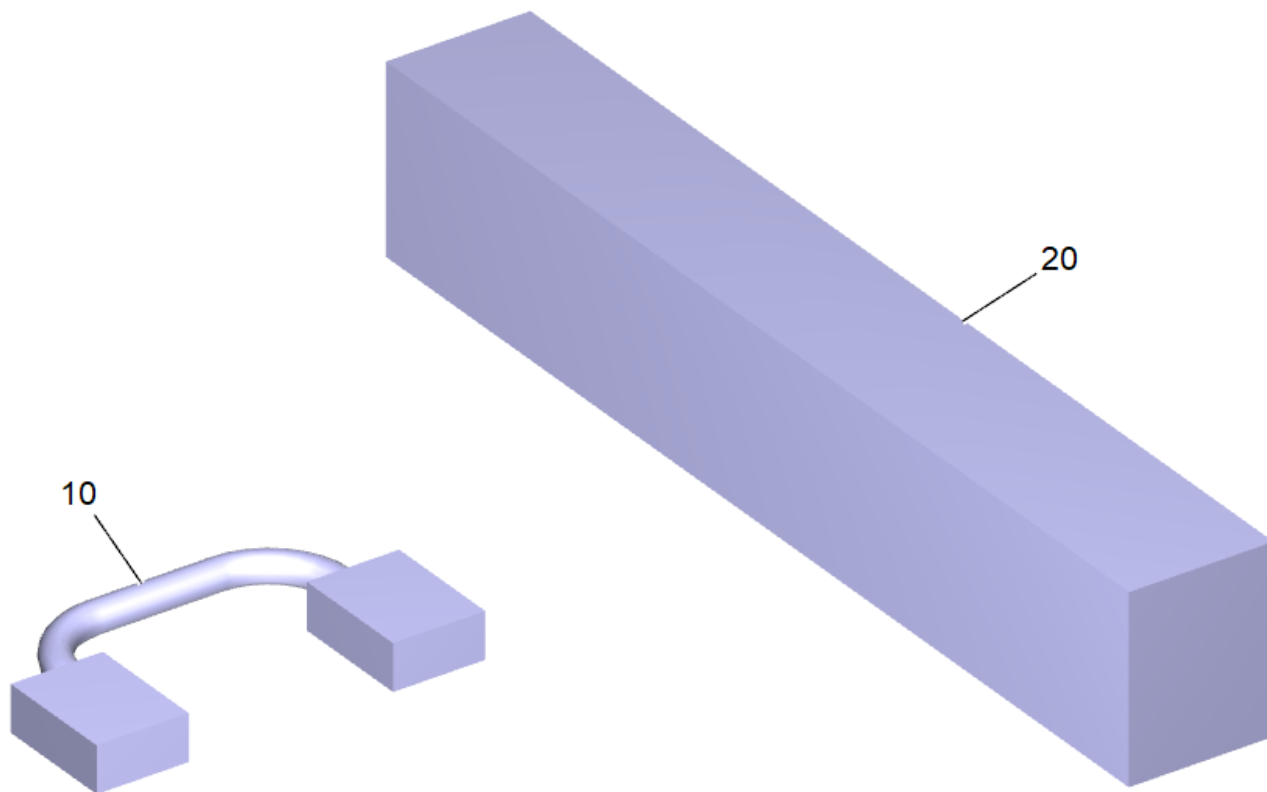
10 Dosing pump replacement B40 B60 B80 (4.762-028.0)

POS	Article no.	Description	Quantity	Unit
30	5.822-000.0	Connection cable Molex	1	PC
9000	4.035-476.0	Hose kit replacement SEKO	1	PC
9010	6.762-023.3	Cover plate dosing pump	1	PC



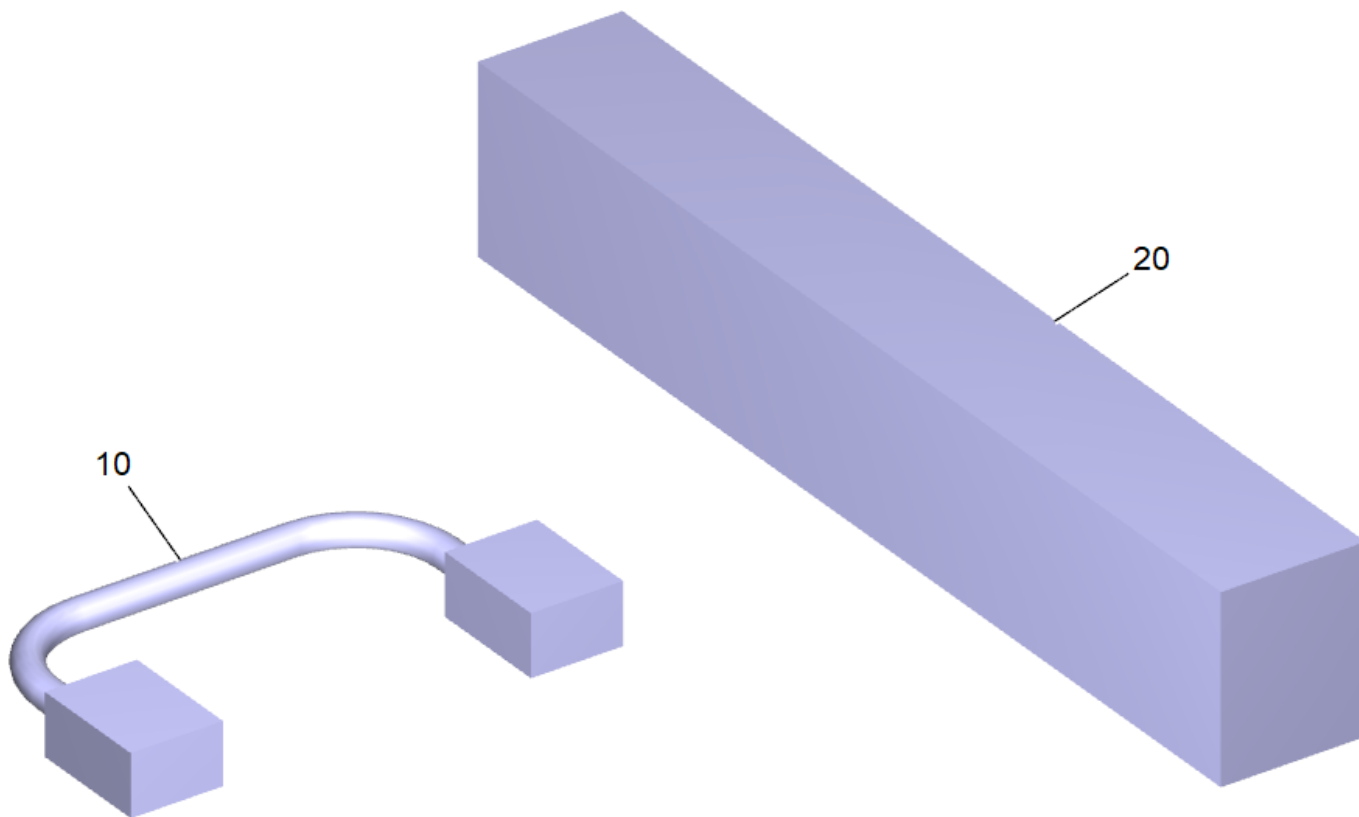
80 Cover cleaning agents complete (4.060-866.0)

POS	Article no.	Description	Quantity	Unit
2	6.363-304.0	Seal	1	PC



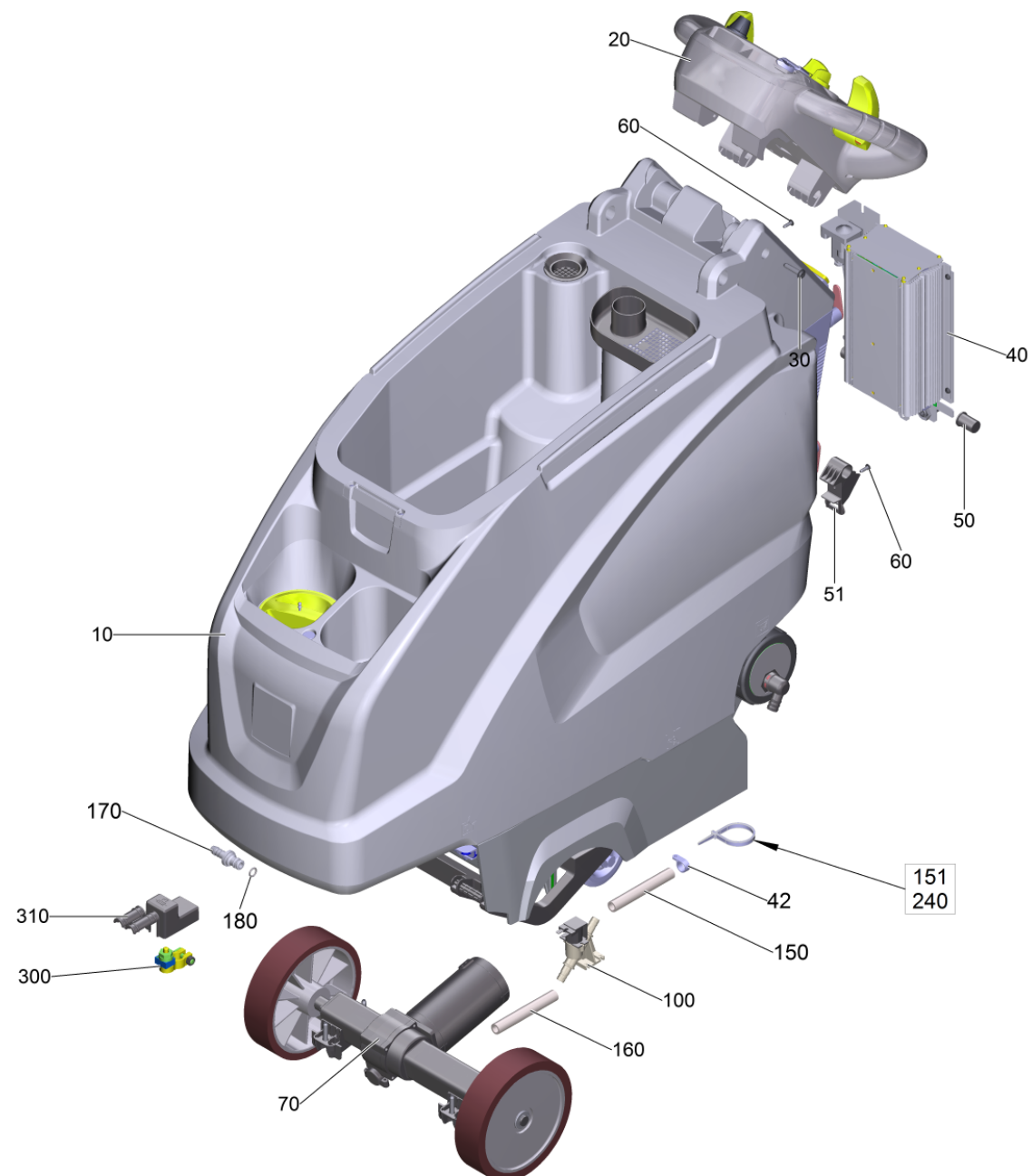
9523 Mounting kit battery kit (2.638-036.0)

POS	Article no.	Description	Quantity	Unit
10	6.649-879.0	Cable battery 25 mm ² . 160 mm	1	PC
20	5.642-021.0	Distance holder battery	1	PC



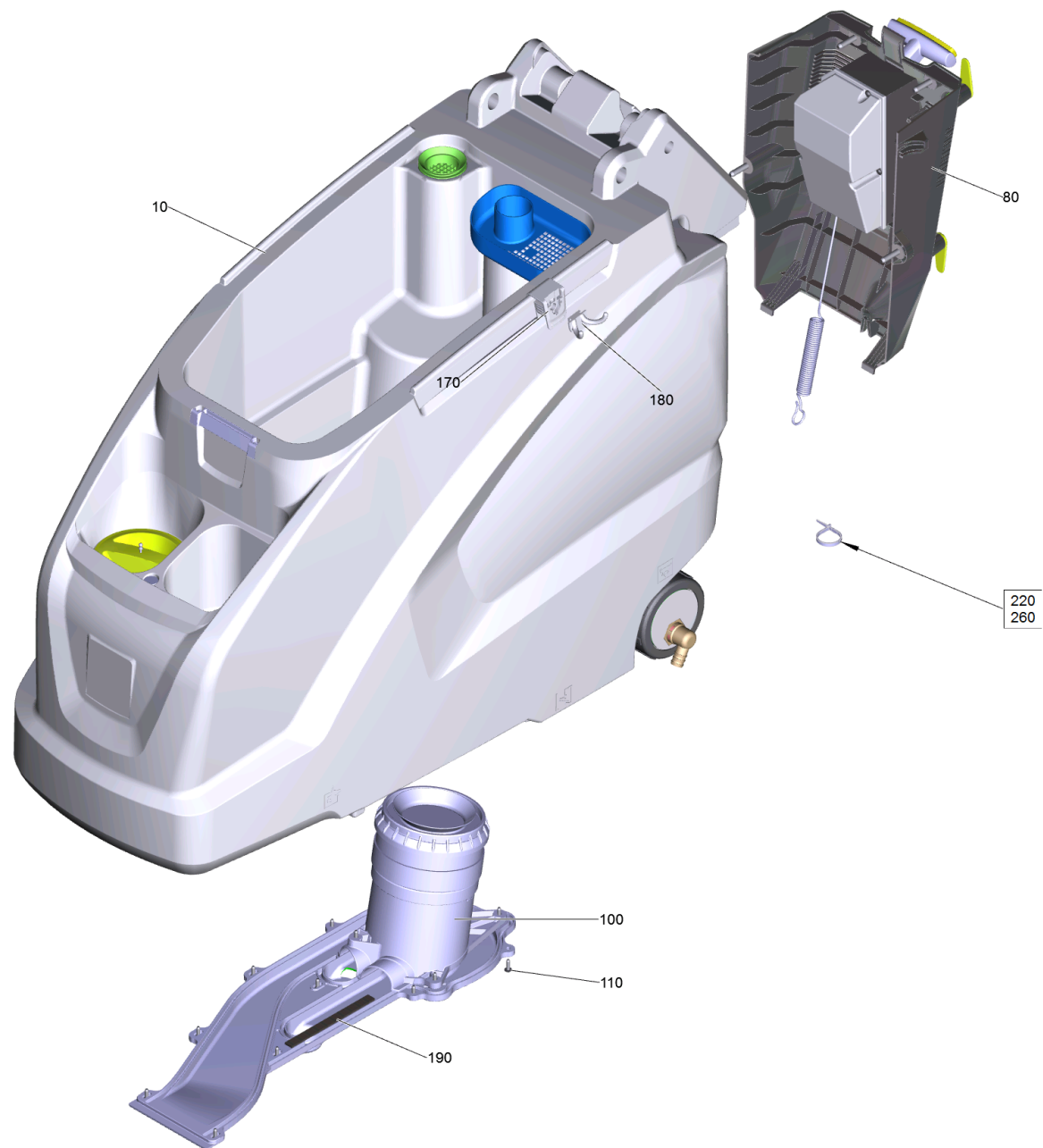
9531 Mounting kit battery kit (2.638-059.0)

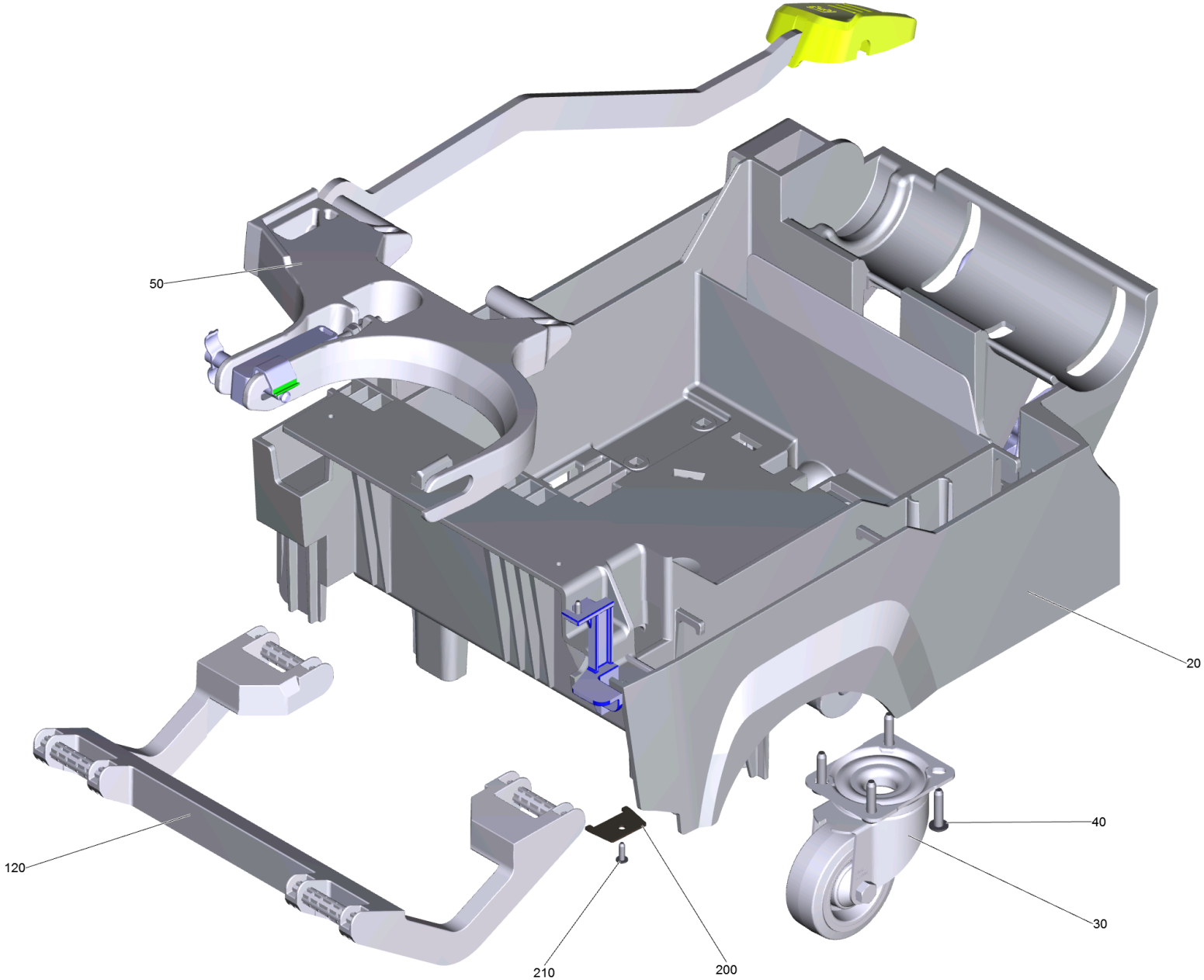
POS	Article no.	Description	Quantity	Unit
10	6.649-601.0	Cable battery short Hoppecke	1	PC
20	5.642-021.0	Distance holder battery	1	PC

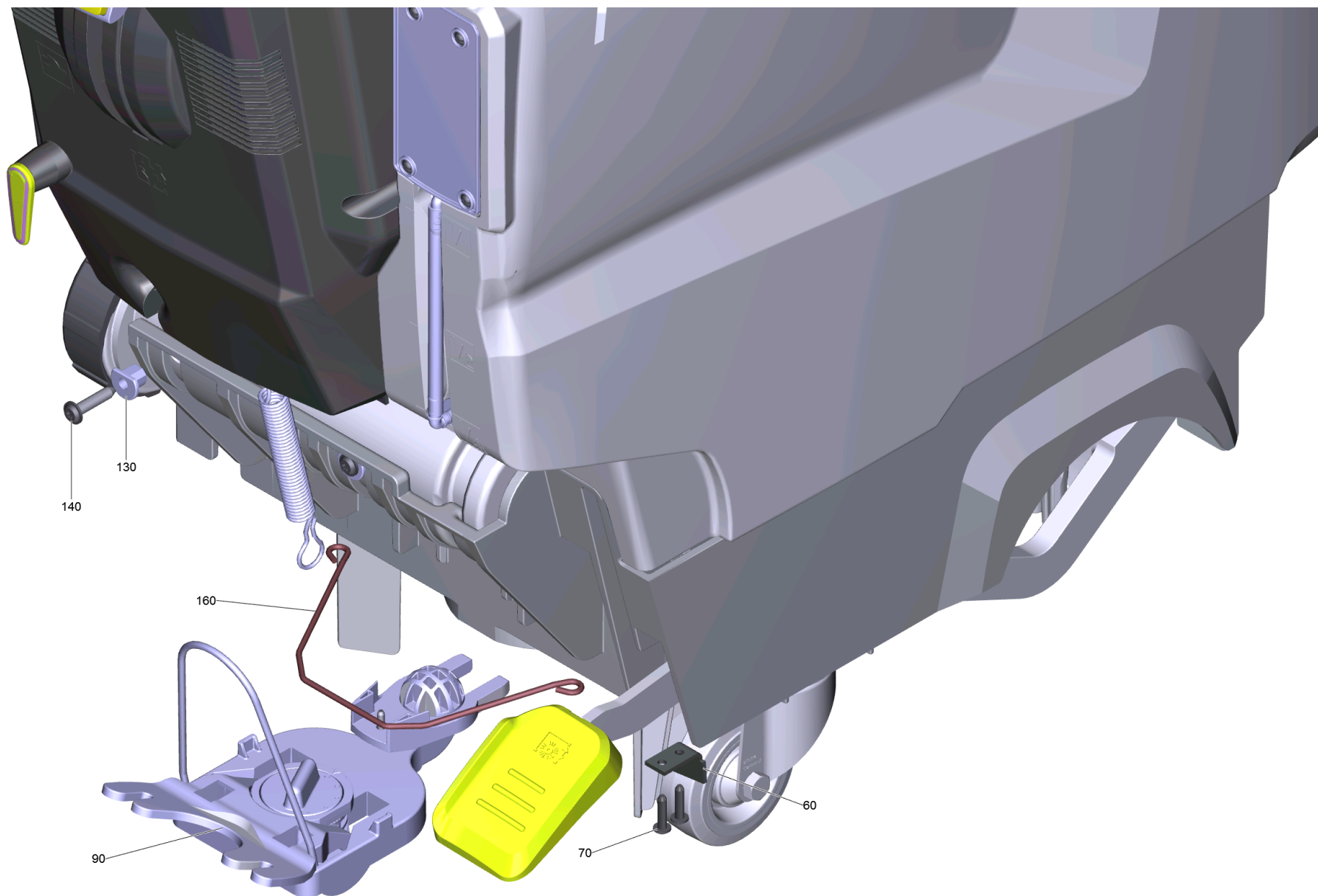


50 B 40 W Bp (2.533-204.0)

POS	Article no.	Description	Quantity	Unit	Foot note text
10		Basic machinery B 40	1	PC	
20		Control panel complete BAT W	1	PC	
30	6.303-315.0	Screw 8 x 35	3	PC	
40		Electric equipment B40 W Bp Dose CAN	1	PC	NEW VERSION
40		Electric equipment B40 W Bp Dose	1	PC	OLD VERSION
42	6.373-877.0	Hose clip	1	PC	
50	5.035-450.0	Bearing bush electronics	2	PC	
51	5.035-433.0	Adapter	2	PC	
60	7.303-107.0	Screw 5x16 -10.9-P2R (K-In6Rd)	4	PC	
70		Gear complete B 40 W	1	PC	
100	6.472-007.3	Solenoid valve 24 V	1	PC	
150	6.390-892.0	Spiral hose NW12	1	m	TO ORDER AS CUT GOODS
151	6.641-474.0	Cable tape 8-210	1	PC	
160	6.390-892.0	Spiral hose NW12	1	m	TO ORDER AS CUT GOODS
170	5.443-375.0	Hose stem	1	PC	
180	6.362-170.0	O-Ring seal 11,3 X 2,4-NBR 70	1	PC	
240	6.641-463.0	Cable tape	2	PC	
300	6.644-618.0	Pole binder	1	PC	
310	5.394-852.0	Covering cap battery terminal	1	PC	
1000		Documentation B40 W Bp	1	PC	
9520	2.815-099.0	Battery kit Gel 2x 12V/76Ah	1	SET	
9521	2.815-100.0	Battery kit Gel 2x 12V/105Ah	1	SET	
9522	2.815-090.0	Battery kit AGM 2x 12V/80Ah	1	SET	
9523	2.638-036.0	Mounting kit battery kit	1	PC	
9530	2.815-091.0	Battery kit AGM 2x 12V/115Ah	1	SET	
9531	2.638-059.0	Mounting kit battery kit	1	PC	

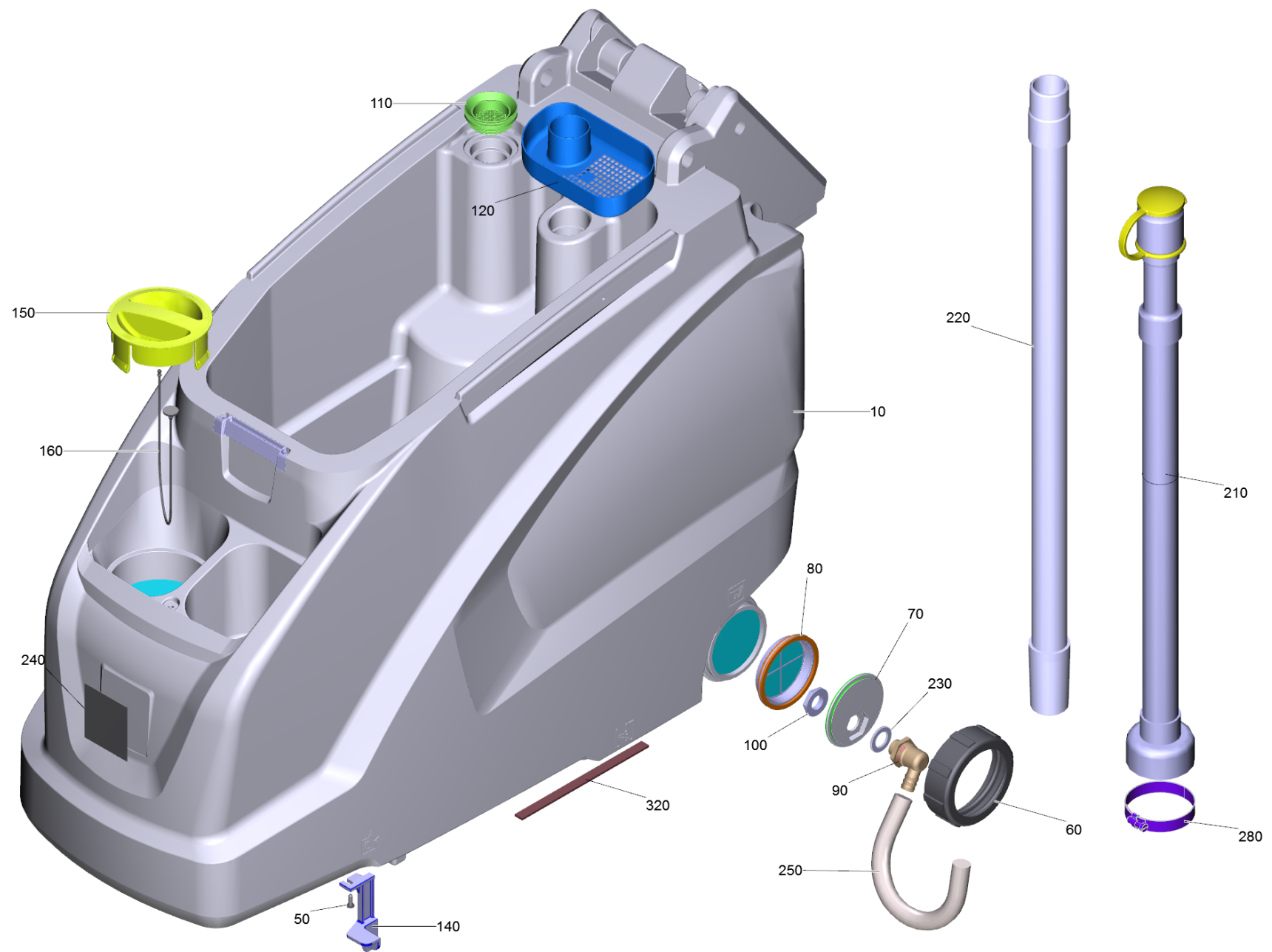


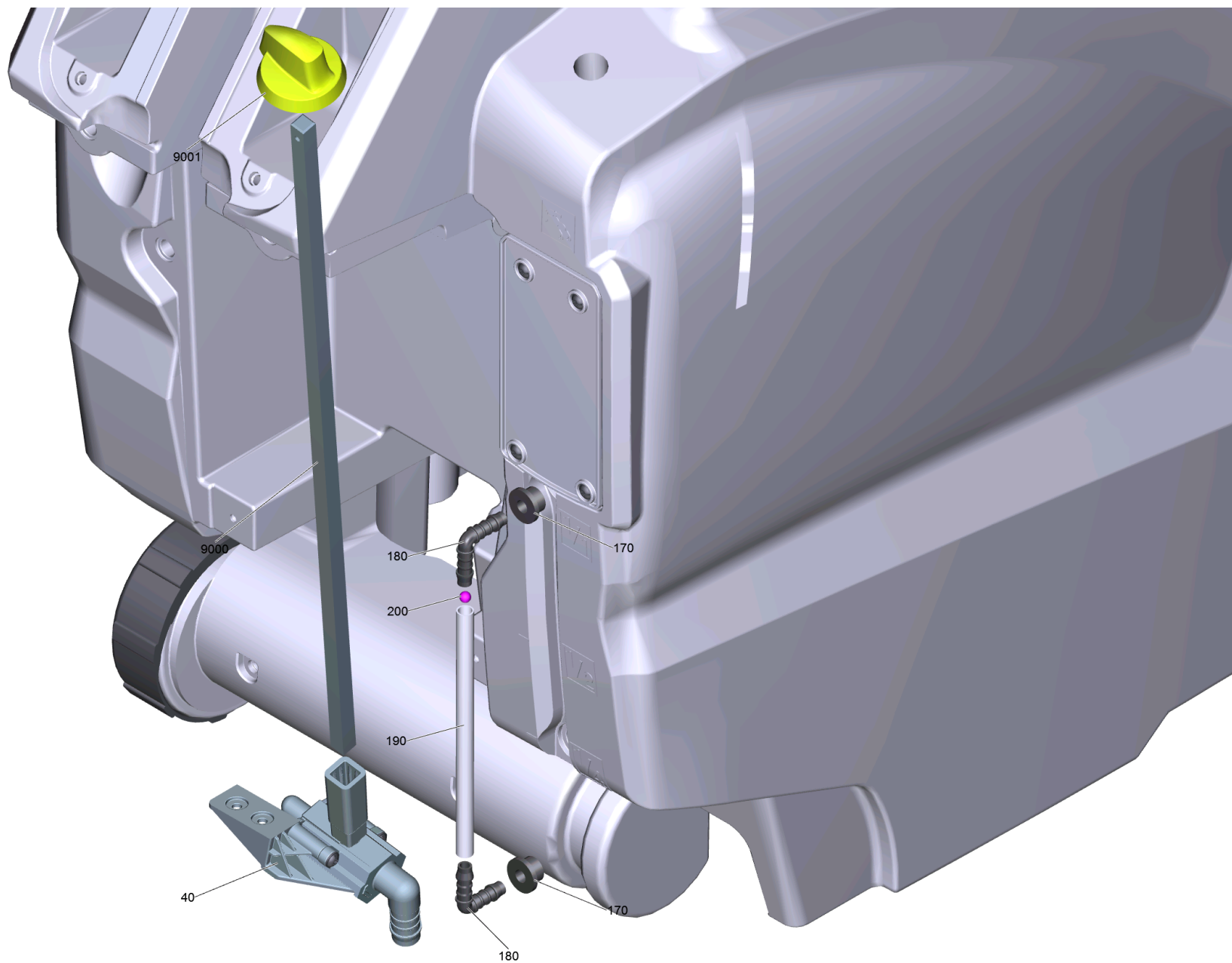


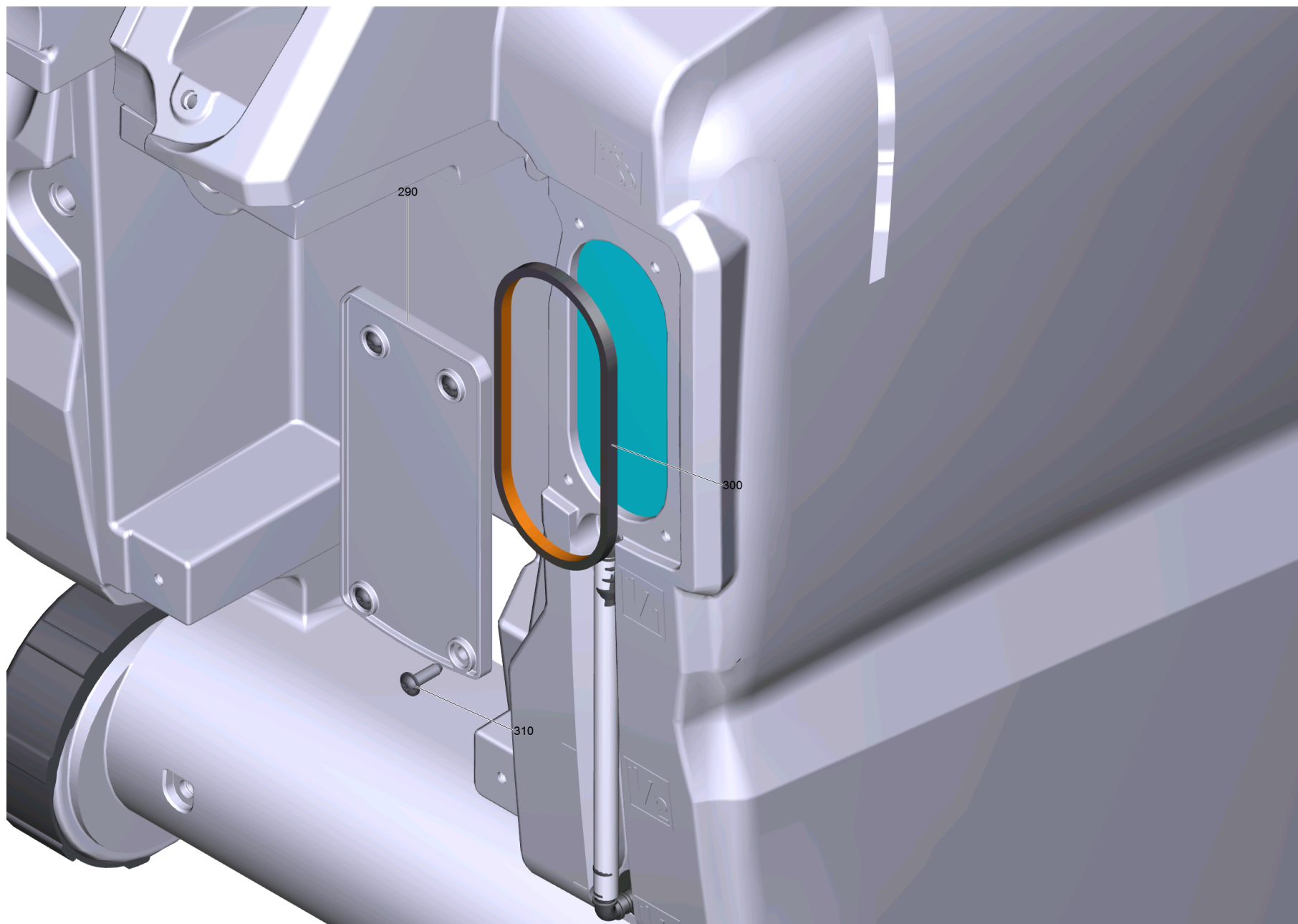


10 Basic machinery B 40

POS	Article no.	Description	Quantity	Unit	Foot note text
10	4.035-335.0	Tank complete	1	PC	
20	5.035-350.0	Frame B40	1	PC	
30	6.435-011.3	Castor	2	PC	
40	6.303-315.0	Screw 8 x 35	8	PC	
50		Suspension brush-head complete	1	PC	
60	5.035-361.0	Sheet metal component	1	PC	
70	7.303-109.0	Screw 5x25 -10.9-R2R (In6Rd)	2	PC	
80		Covering cap rear complete	1	PC	
90		Suction bar lifting complete	1	PC	
100		Vacuum motor	1	PC	
110	7.303-107.0	Screw 5x16 -10.9-P2R (K-In6Rd)	13	PC	
120	5.035-334.0	Retaining bracket connecting rod	1	PC	
130	5.035-522.0	Sleeve	3	PC	
140	6.303-315.0	Screw 8 x 35	3	PC	
160	5.035-440.0	Wire spring	1	PC	
170	5.035-488.0	Adapter Homebase	1	PC	
180	6.980-077.0	Double hook	1	PC	
190	6.273-090.0	Sealing tape 13x3	1	m	TO ORDER AS CUT GOODS
200	5.035-726.0	Plate	1	PC	
210	7.303-107.0	Screw 5x16 -10.9-P2R (K-In6Rd)	1	PC	
220	6.641-465.0	Cable tape	1	PC	
260	6.647-081.0	Cable tape	1	PC	

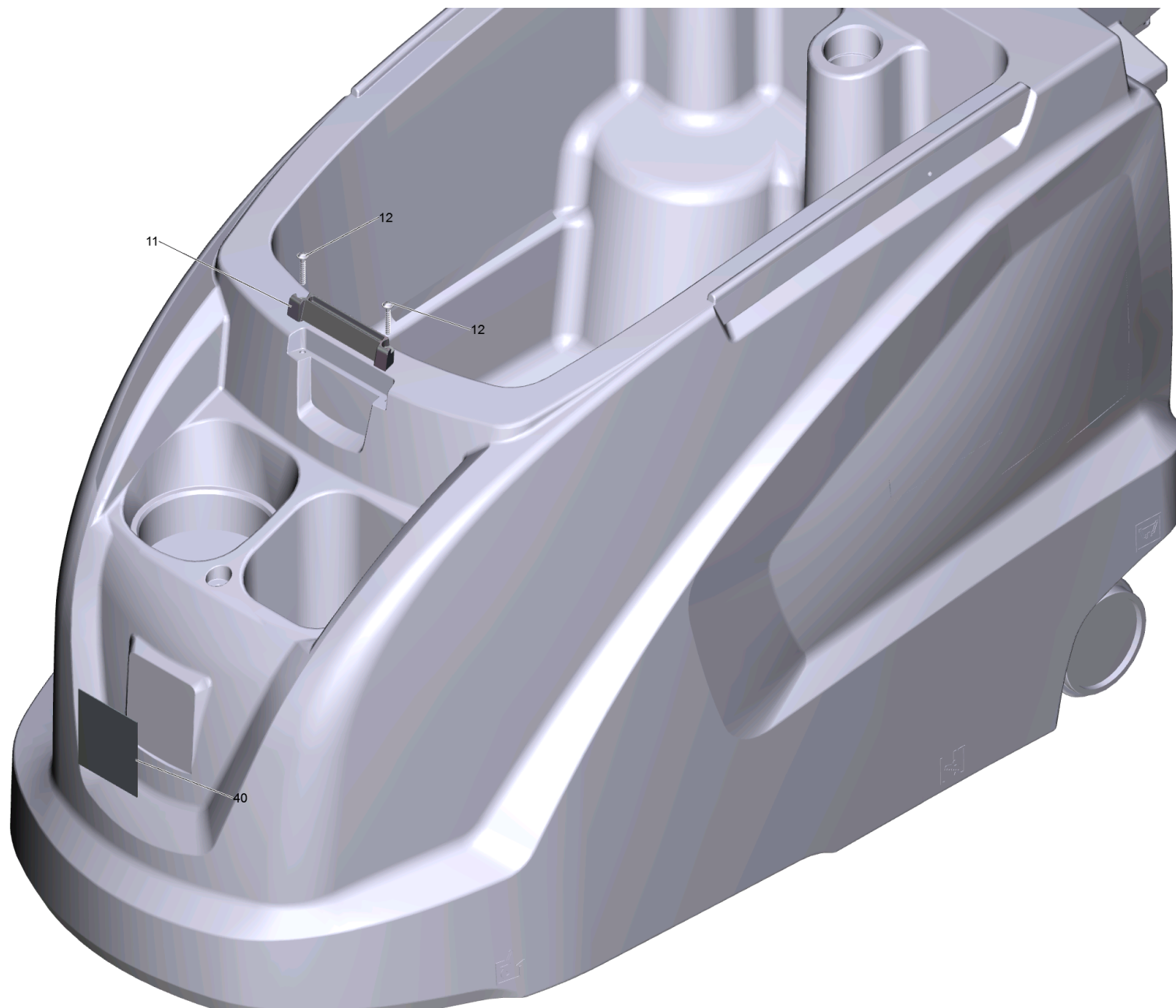






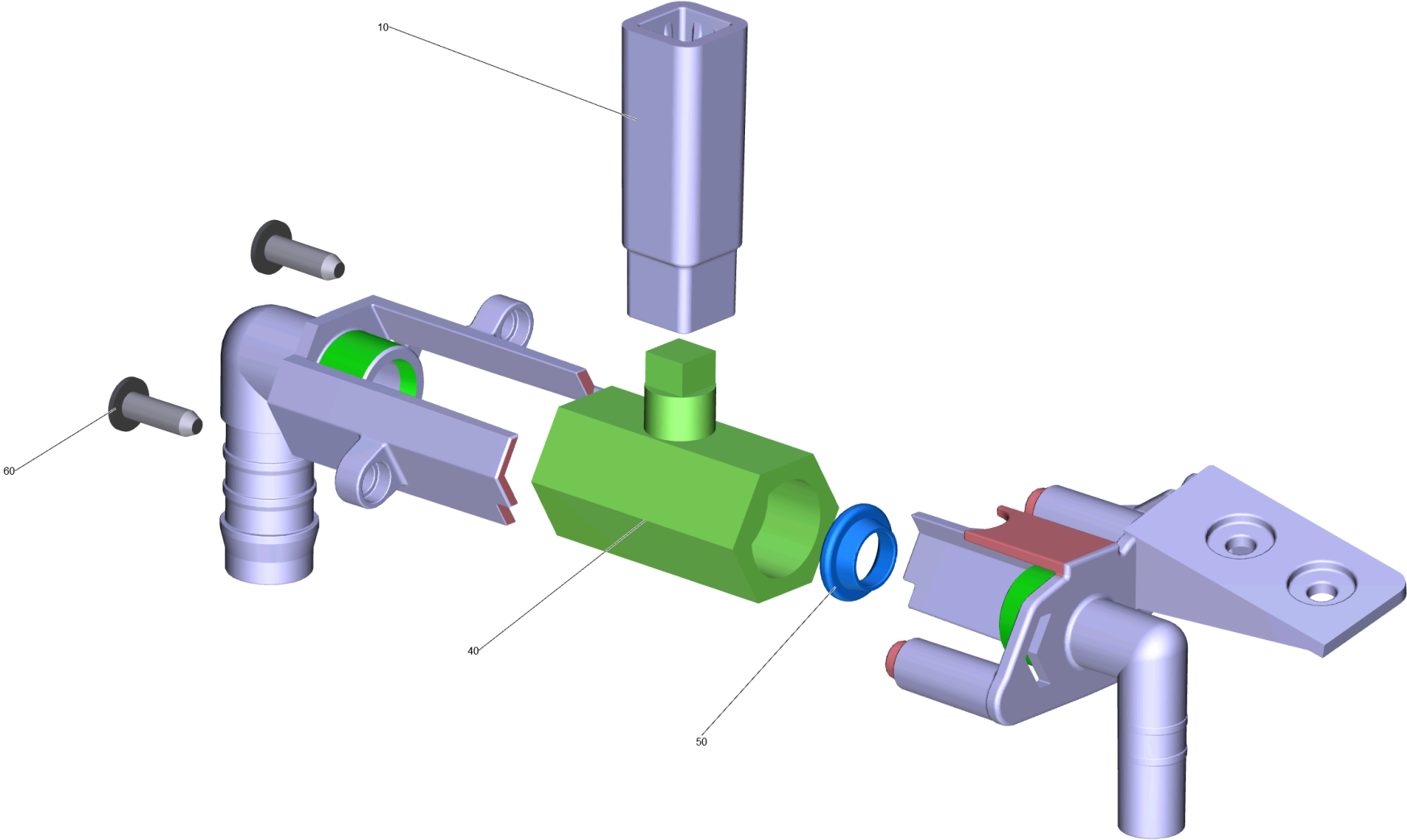
10 Tank complete (4.035-335.0)

POS	Article no.	Description	Quantity	Unit	Foot note text
10	4.035-429.0	Tank replacement B40	1	PC	
40	4.035-426.0	Ball valve complete replacement	1	PC	
50	7.303-107.0	Screw 5x16 -10.9-P2R (K-In6Rd)	3	PC	
60	5.035-341.0	Cover fresh water tank discharge	1	PC	
70	5.035-342.0	Hose connection fresh water discharge	1	PC	
80	5.035-376.0	Filter discharge	1	PC	
90	6.395-163.3	Angle bushing G1-2	1	PC	
100	6.310-004.0	Hexagon nut G 1/2"	1	PC	
110	5.515-266.0	Joint ring fluffing strainer	1	PC	
120	5.036-932.0	Tank bulk waste yellow	1	PC	
140	5.035-435.0	Tank locking part	1	PC	
150	5.034-099.0	Cover fresh water metering RM	1	PC	
160	5.035-358.0	Mounting rope cover fresh water tank	1	PC	
170	5.035-608.0	Wire protecting sleeve	2	PC	
180	6.391-913.0	Elbow nipple	2	PC	
190	5.035-328.0	Silicon hose level indicator	1	PC	
200	6.035-072.0	Sphere level indicator D6	1	PC	
210	4.035-285.0	Drain hose with cover PU	1	PC	OIL RESISTANT
220	6.392-471.0	Suction hose PU DN32	1	PC	
230	5.515-253.0	Seal D34	1	PC	
240	5.394-081.0	Label signet gel 78x86	1	PC	
250	6.390-324.0	Hose DN16	1	m	TO ORDER AS CUT GOODS
280	6.388-767.0	Hose clip 70- 90	1	PC	
290	4.035-370.0	Screen filling system	1	PC	
300	5.035-418.0	Seal fixing plate	1	PC	
310	7.303-107.0	Screw 5x16 -10.9-P2R (K-In6Rd)	4	PC	
320	6.273-043.0	Sealing tape cellularrubber 9x4	1	m	TO ORDER AS CUT GOODS
9000	5.035-369.0	Bar	1	PC	
9001	5.035-404.0	Handle	1	PC	



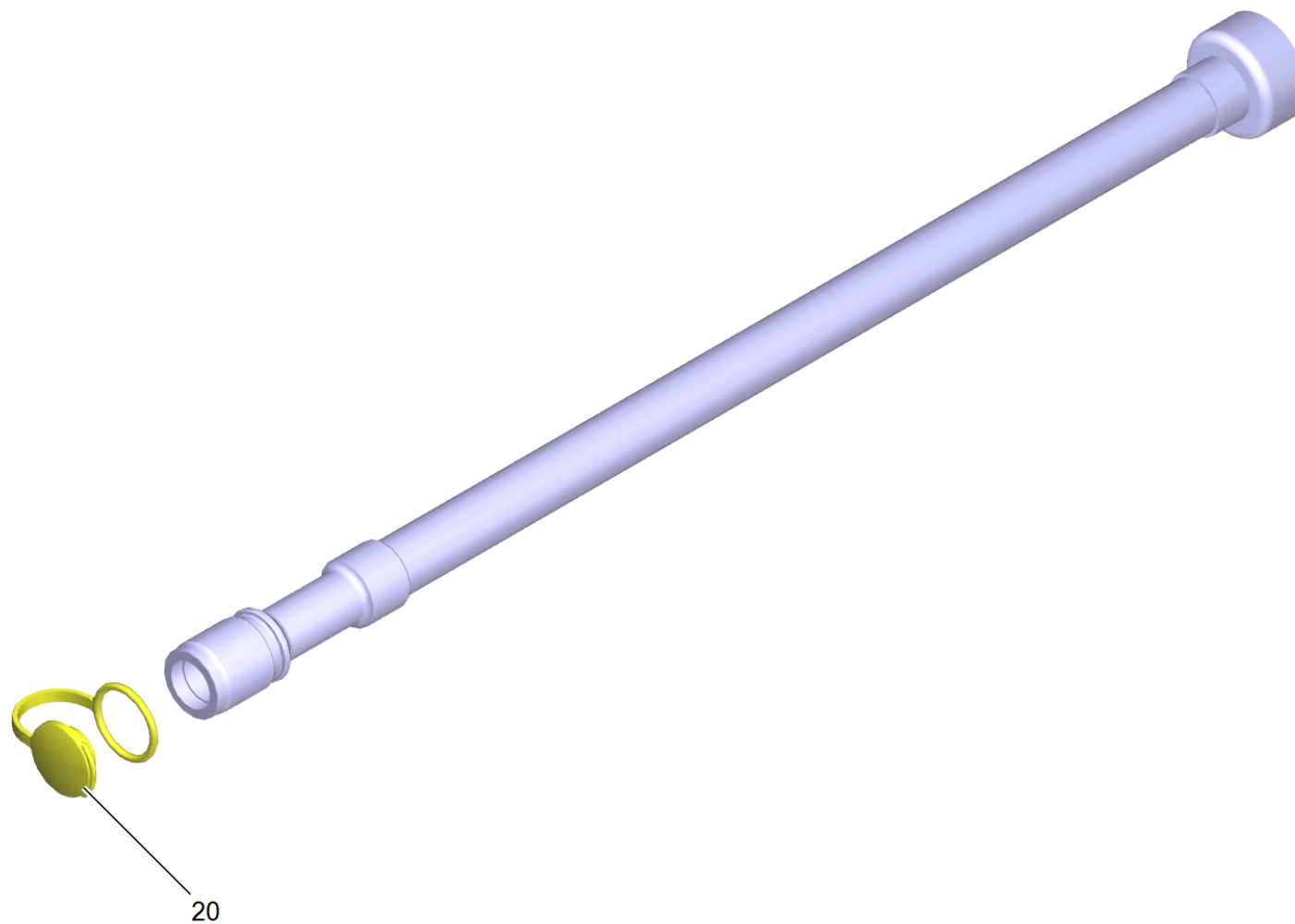
10 Tank replacement B40 (4.035-429.0)

POS	Article no.	Description	Quantity	Unit
11	5.035-482.0	Add-on part tank cover	1	PC
12	7.303-086.0	Screw 5x30 -10.9-R2R (K-In6Rd)	2	PC
40	5.394-081.0	Label signet gel 78x86	1	PC



40 Ball valve complete replacement (4.035-426.0)

POS	Article no.	Description	Quantity	Unit
10	5.035-459.0	Coupler piece ball valve	1	PC
40	6.413-586.0	Ball valve without handhold	1	PC
50	5.035-770.0	Seal ball valve	2	PC
60	7.303-107.0	Screw 5x16 -10.9-P2R (K-In6Rd)	2	PC

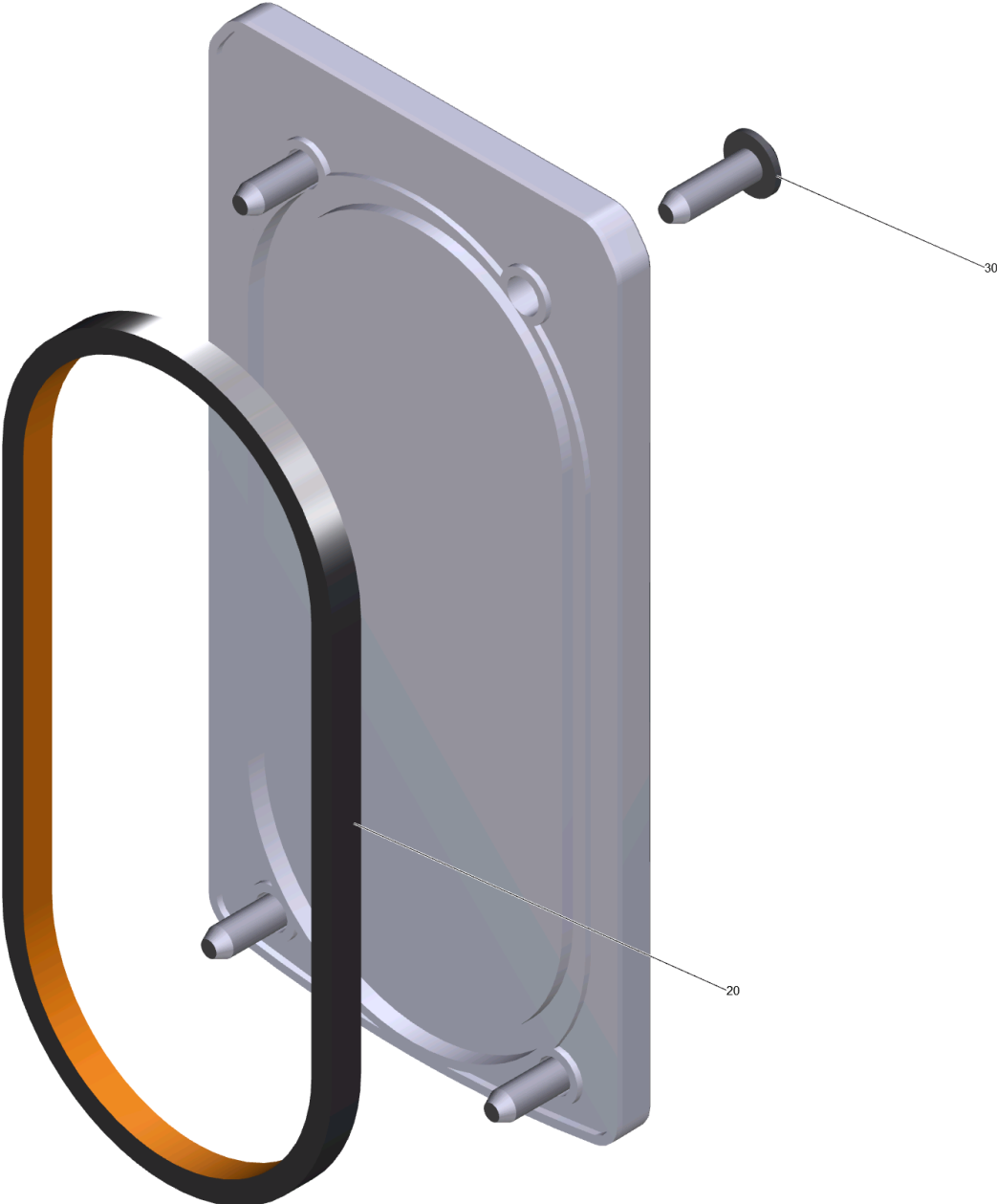


210 Drain hose with cover PU (4.035-285.0)

POS	Article no.	Description	Quantity	Unit
20	5.036-249.0	Cover plate drain hose yellow PU	1	PC

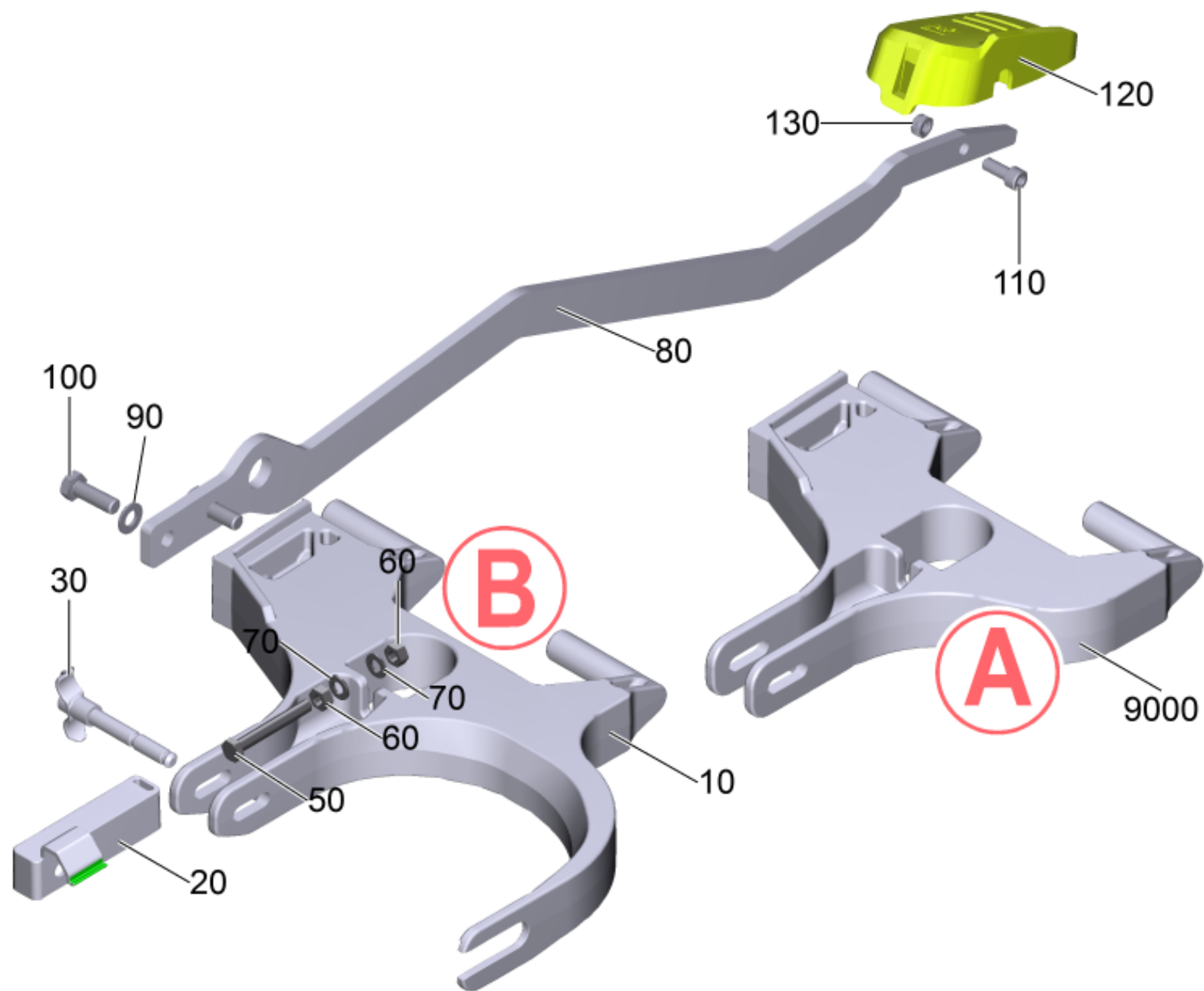
290 Screen filling system (4.035-370.0)

POS	Article no.	Description	Quantity	Unit
10	4.035-370.7	Screen filling system	1	PC



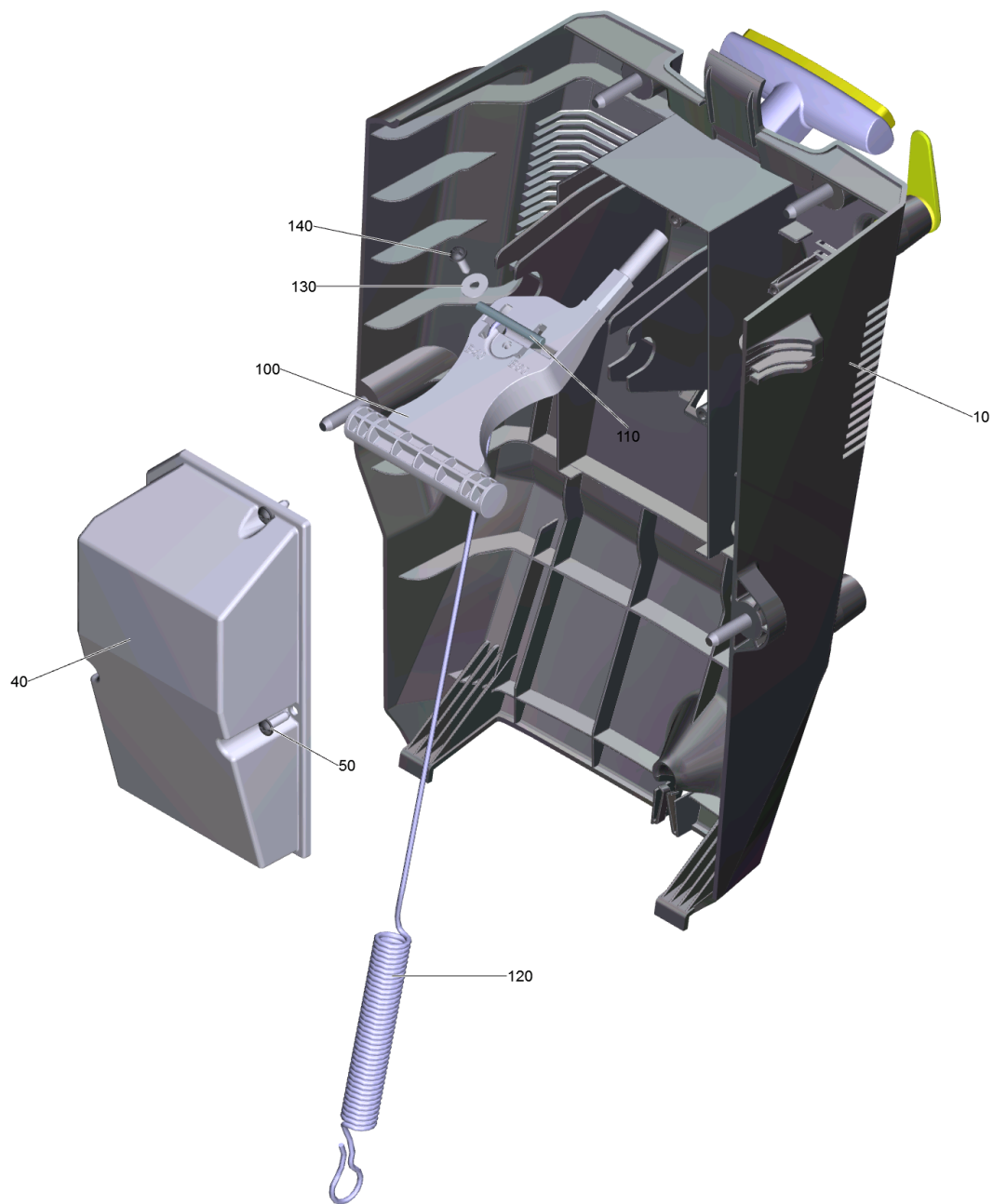
10 Screen filling system (4.035-370.7)

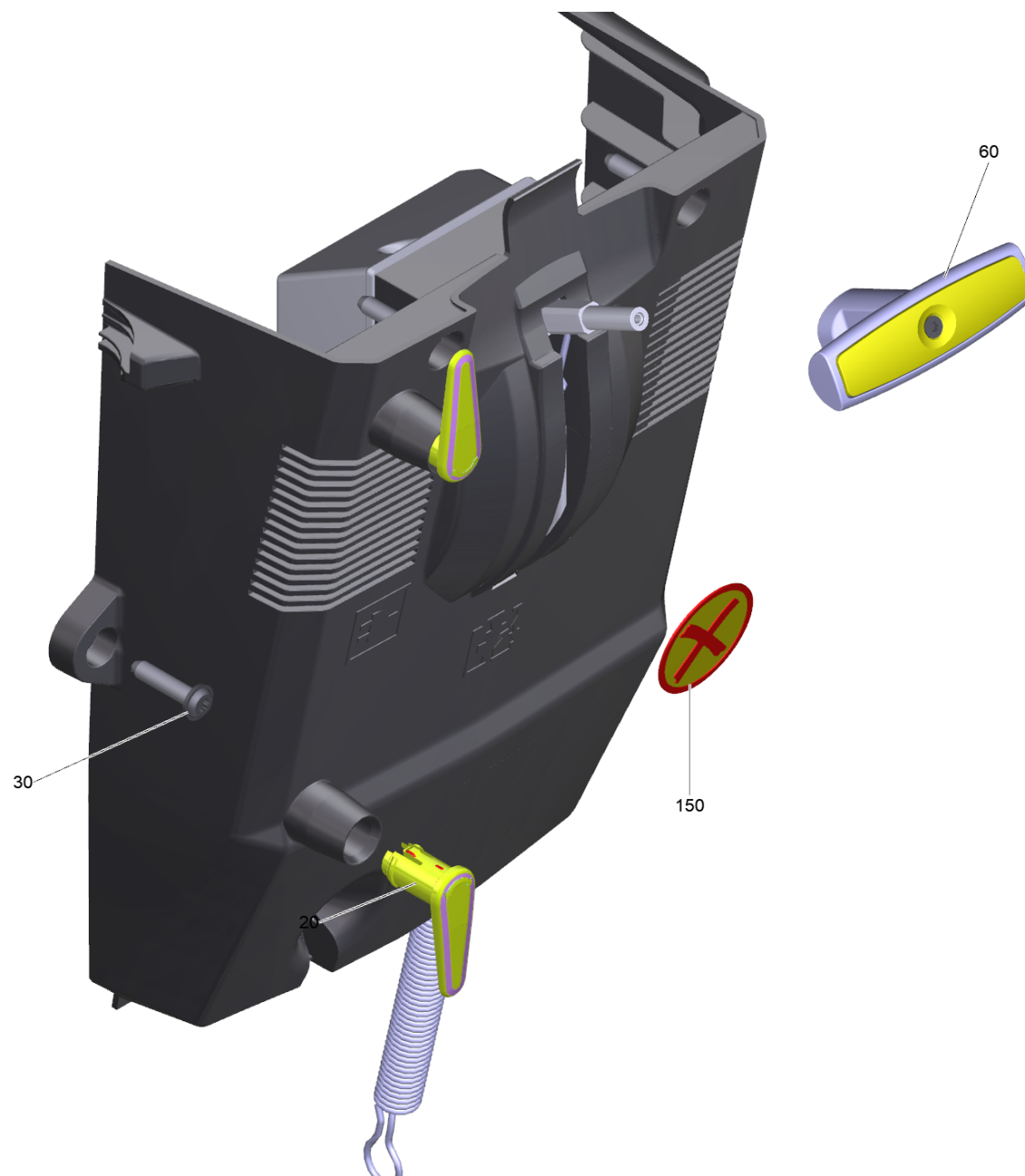
POS	Article no.	Description	Quantity	Unit
20	5.035-418.0	Seal fixing plate	1	PC
30	7.303-107.0	Screw 5x16 -10.9-P2R (K-In6Rd)	4	PC



50 Suspension brush-head complete

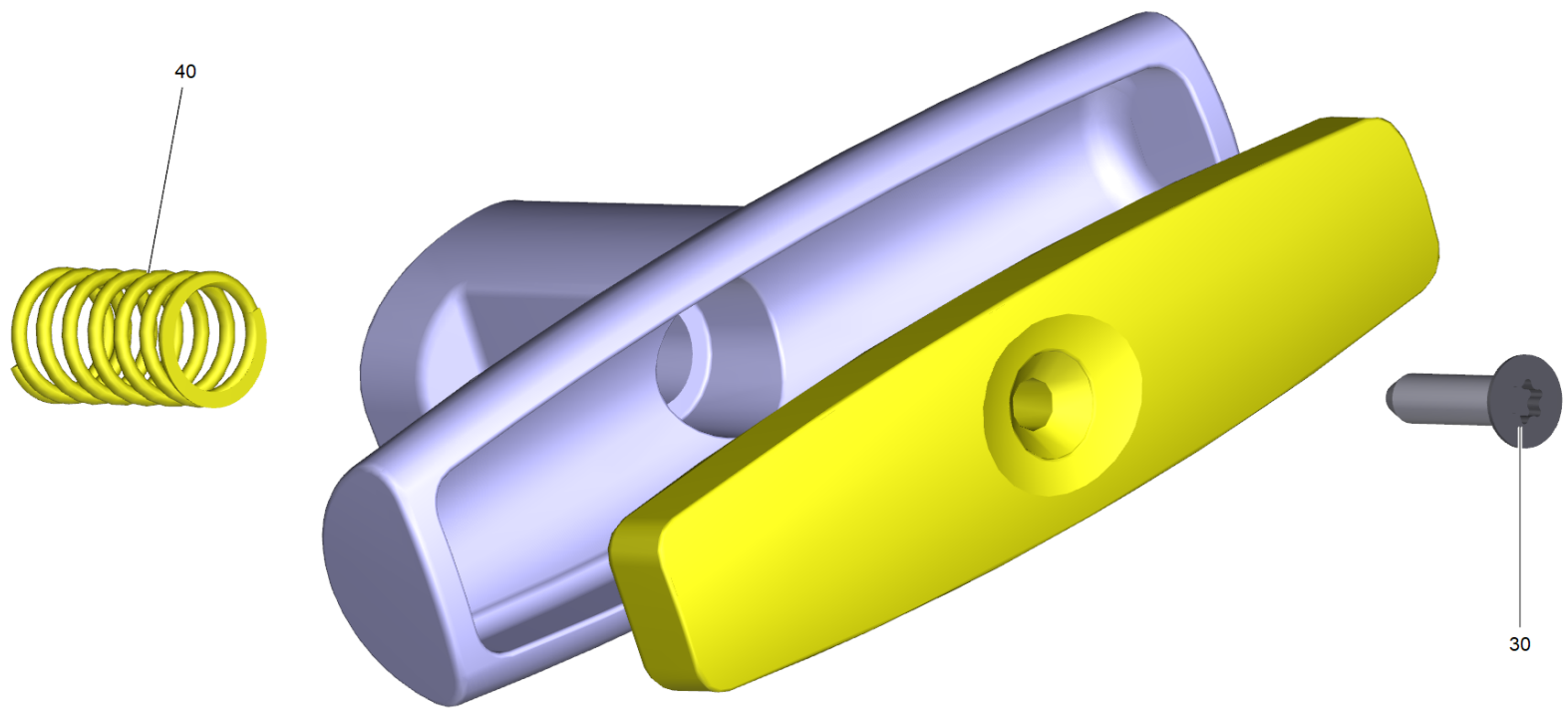
POS	Article no.	Description	Quantity	Unit	Foot note text
10	5.035-675.0	Suspension brush-head triple	1	PC	VERSION B
20	5.035-377.0	Adjusting element brush-head	1	PC	
30	5.035-865.0	Handhold bolt brush-head	1	PC	
50	7.304-262.0	Hexagonal head screw M8x60-A4-70 ISO 40	1	PC	
60	7.311-068.0	Hexagon nut M 8-A2-70 ISO 4032	2	PC	
70	7.312-004.0	Washer 8 -200HV-A3E ISO 7089	2	PC	
80	5.035-370.0	Lever plate brush-head	1	PC	
90	7.312-005.0	Washer 10-200HV-A3E ISO 7089	2	PC	
100	7.304-417.0	Hexagonal head screw M10x30-8.8-A3E ISO	2	PC	
110	7.306-041.0	Cylinder head screw M8x20 -8.8-A2E ISO	1	PC	
120	5.035-374.0	Pedal brush-head	1	PC	
130	7.311-432.0	Hexagon nut M 8-1.4305 DIN 985	1	PC	
9000	2.882-733.0	Conversion kit suspension brush-head B40	1	PC	VERSION A





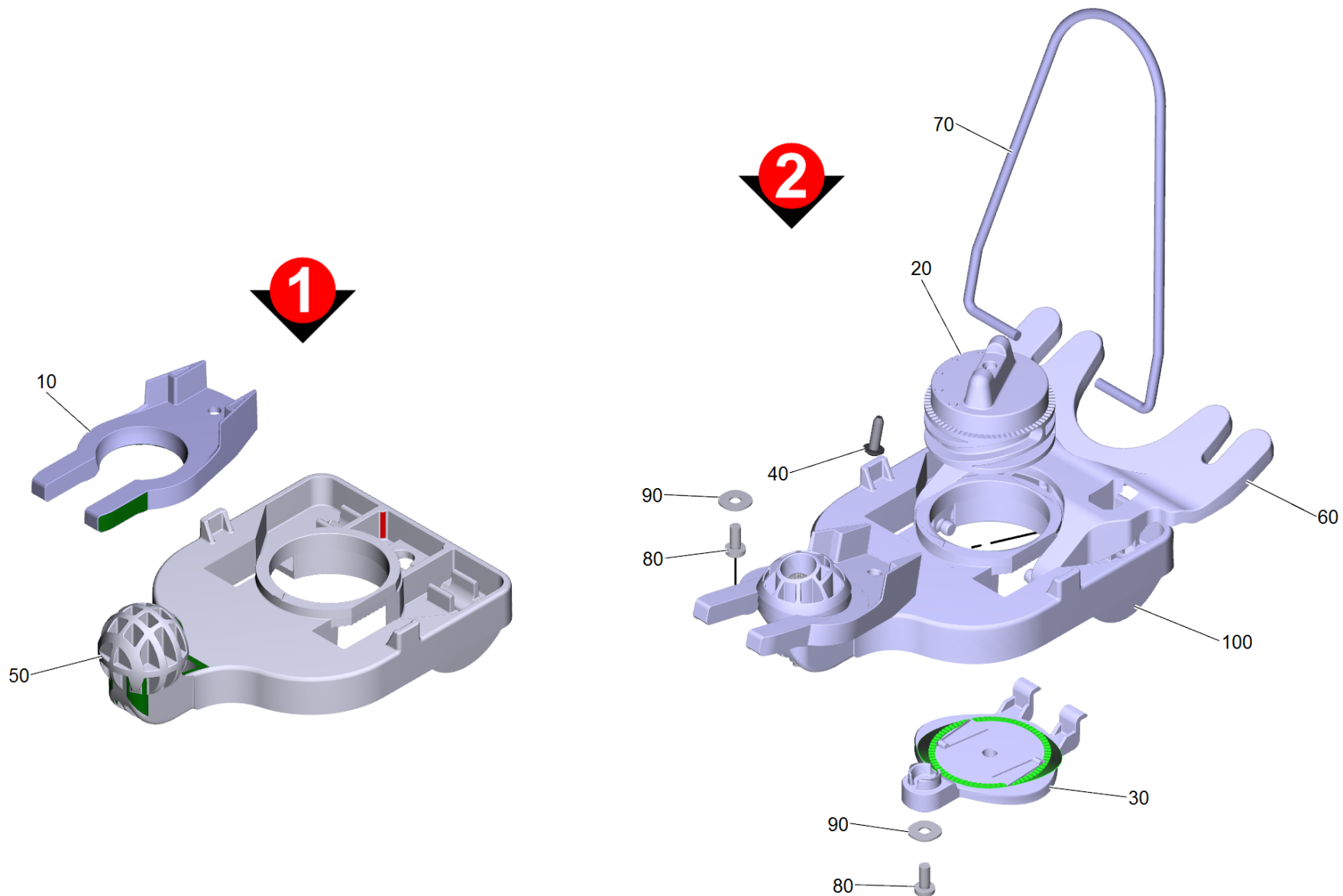
80 Covering cap rear complete

POS	Article no.	Description	Quantity	Unit
10	5.035-366.0	Covering cap	1	PC
20	5.044-661.0	Catch for cable yellow	2	PC
30	6.303-315.0	Screw 8 x 35	4	PC
40	5.035-446.0	Cover covering cap rear	1	PC
50	7.303-107.0	Screw 5x16 -10.9-P2R (K-In6Rd)	3	PC
60	4.035-612.0	Set handhold adjustment	1	PC
100	5.035-445.0	Lever suction bar	1	PC
110	5.035-453.0	Axle lever suction bar	1	PC
120	5.035-423.0	Extension spring	1	PC
130	7.312-282.0	Washer 5 -A2 ISO 7093-1	1	PC
140	7.303-107.0	Screw 5x16 -10.9-P2R (K-In6Rd)	1	PC
150	5.380-889.0	Warning sign BR-BD 750	1	PC



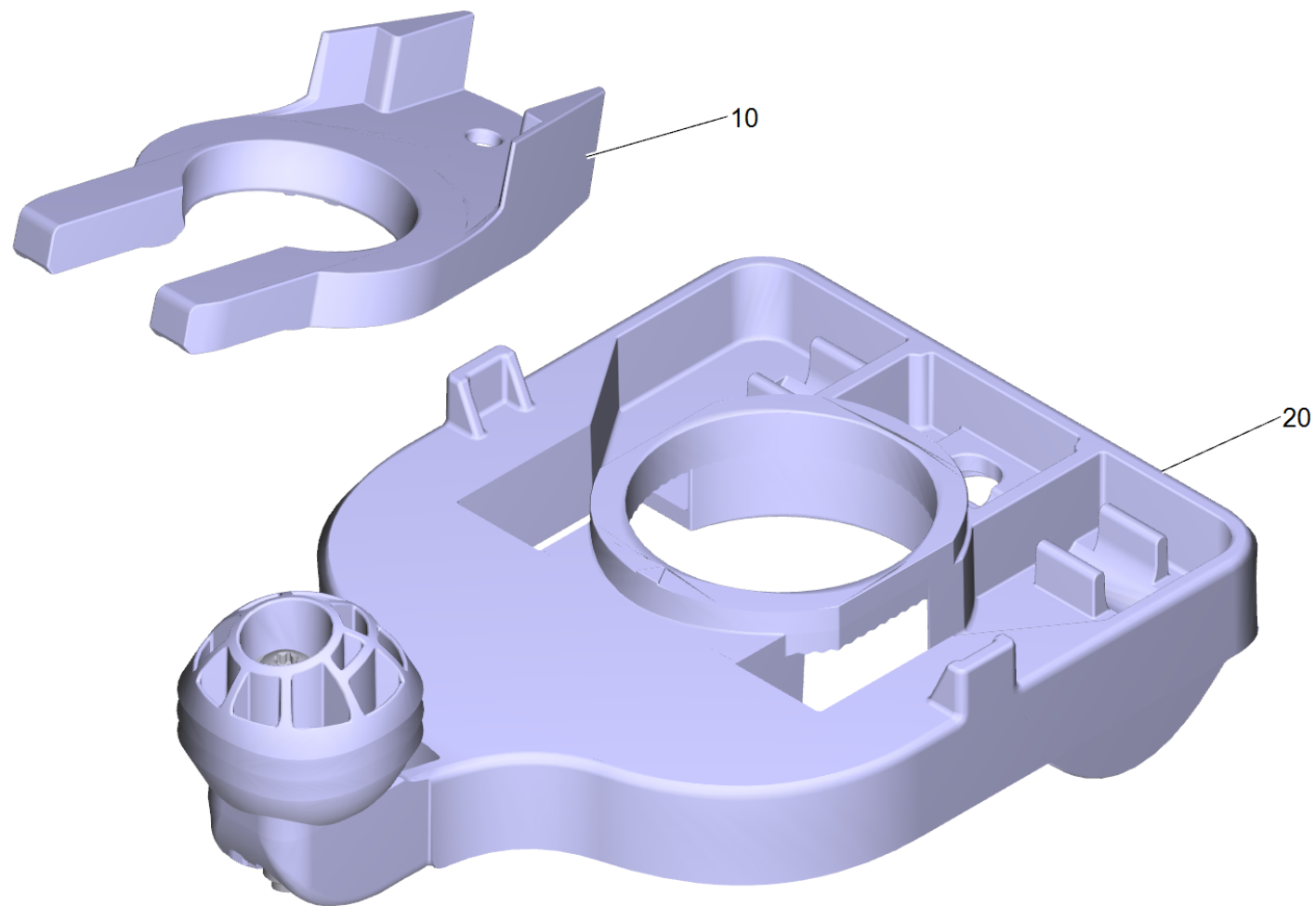
60 Set handhold adjustment (4.035-612.0)

POS	Article no.	Description	Quantity	Unit
30	7.303-128.0	Countersunk screw 5x20 -10.9-R2R (In6Rd)	1	PC
40	5.332-481.0	Helical spring	1	PC



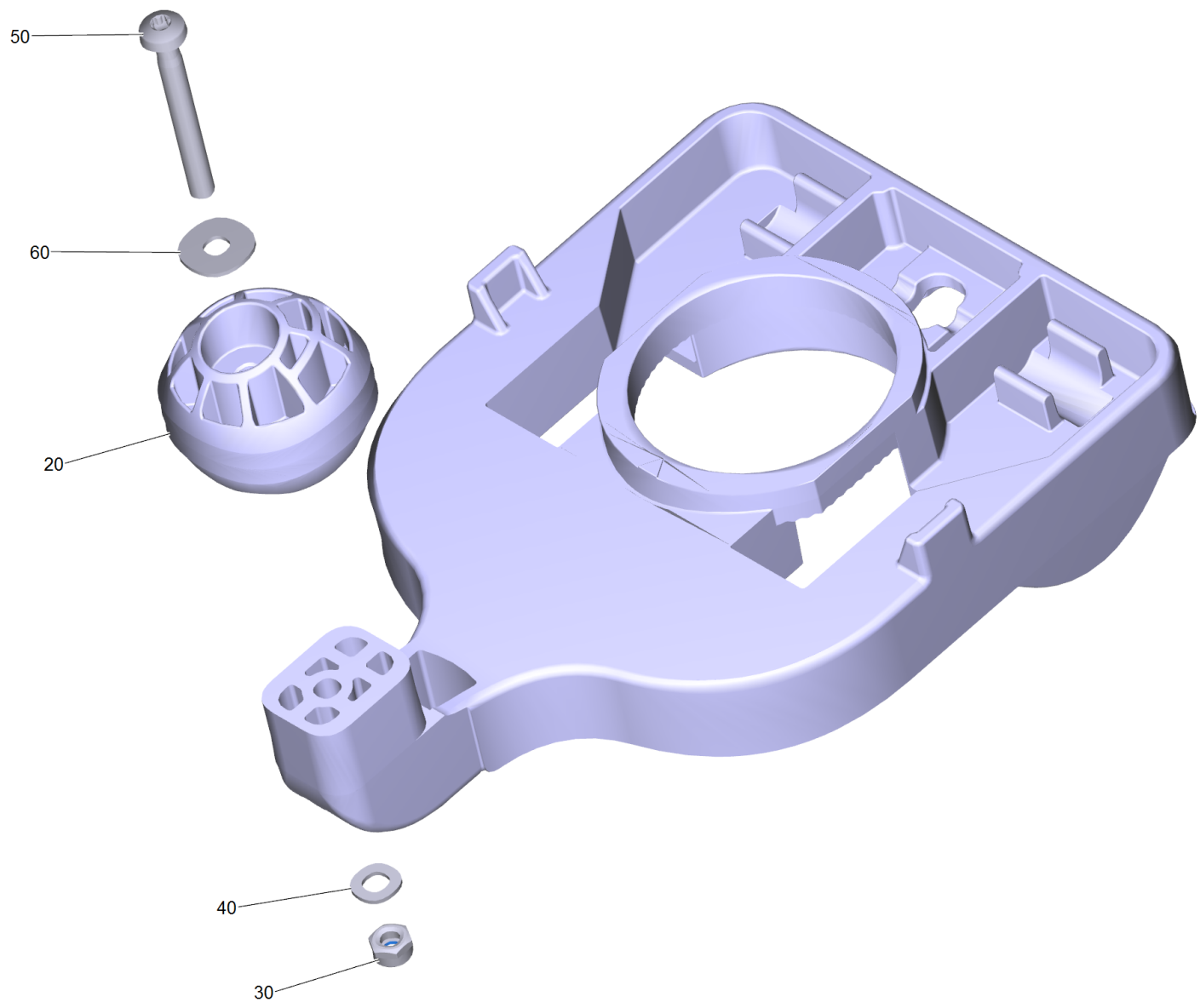
90 Suction bar lifting complete

POS	Article no.	Description	Quantity	Unit	Foot note text
10	7.777-999.0	Stockpiling discontinued	1	PC	VERSION 1
20	5.035-292.0	Adjusting knob suction bar tothing	1	PC	
30	5.035-293.0	Covering cap suction bar tothing	1	PC	
40	7.303-109.0	Screw 5x25 -10.9-R2R (In6Rd)	1	PC	
50	7.777-999.0	Stockpiling discontinued	1	PC	VERSION 1
60	5.036-103.0	Rocker suction bar	1	PC	
70	5.035-382.0	Retaining bracket suction bar	1	PC	
80	6.306-003.0	Screw M5X12-A2/70-ISO 14583 (IN6RD)	2	PC	with microencapsulation
90	7.312-282.0	Washer 5 -A2 ISO 7093-1	2	PC	
100	4.035-583.0	Holder suction bar complete	1	PC	VERSION 2



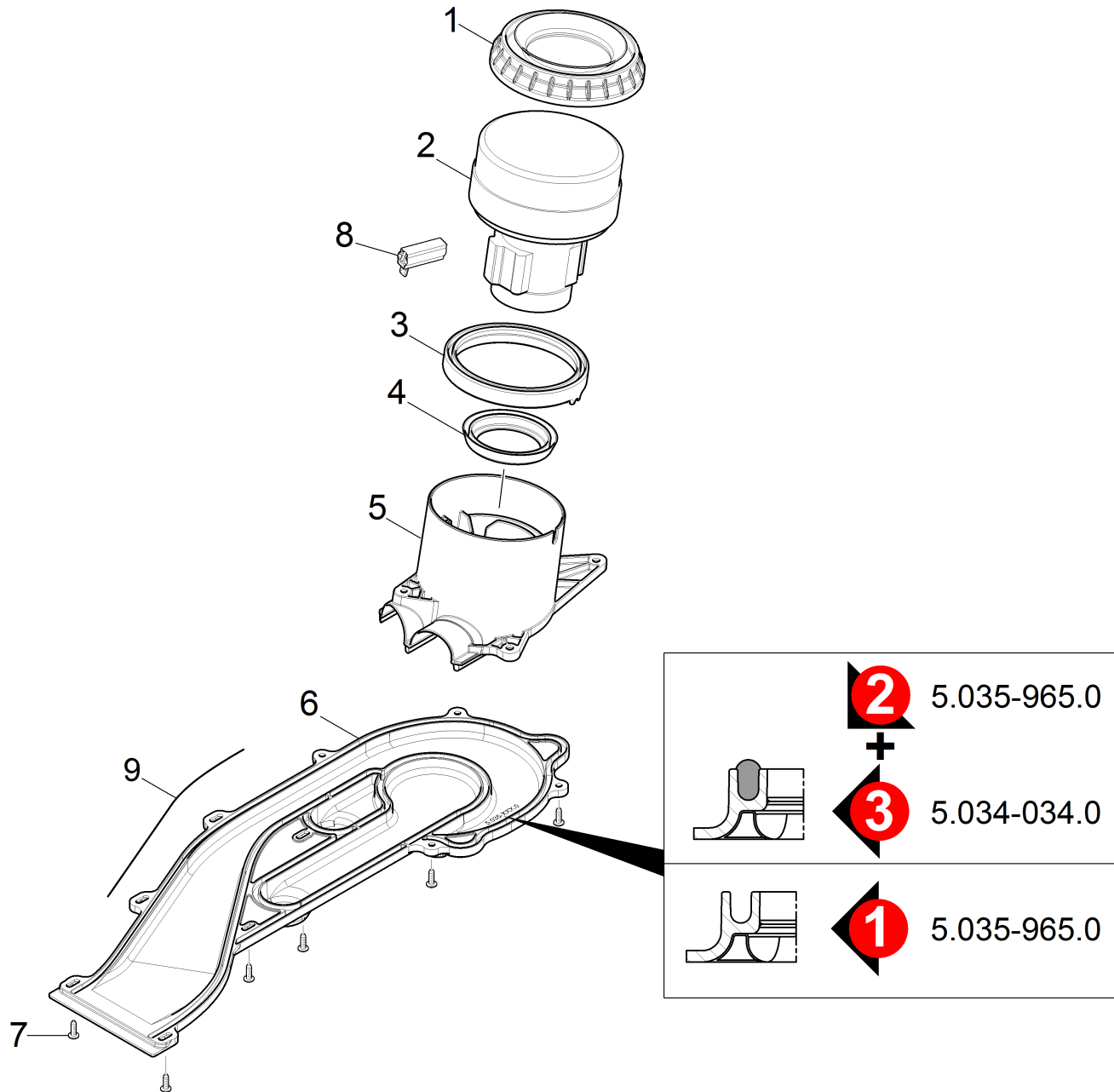
100 Holder suction bar complete (4.035-583.0)

POS	Article no.	Description	Quantity	Unit
10	5.005-005.0	FIXING PLATE SUCTION BAR ALU	1	PC
20	4.037-137.3	Holder suction bar	1	PC



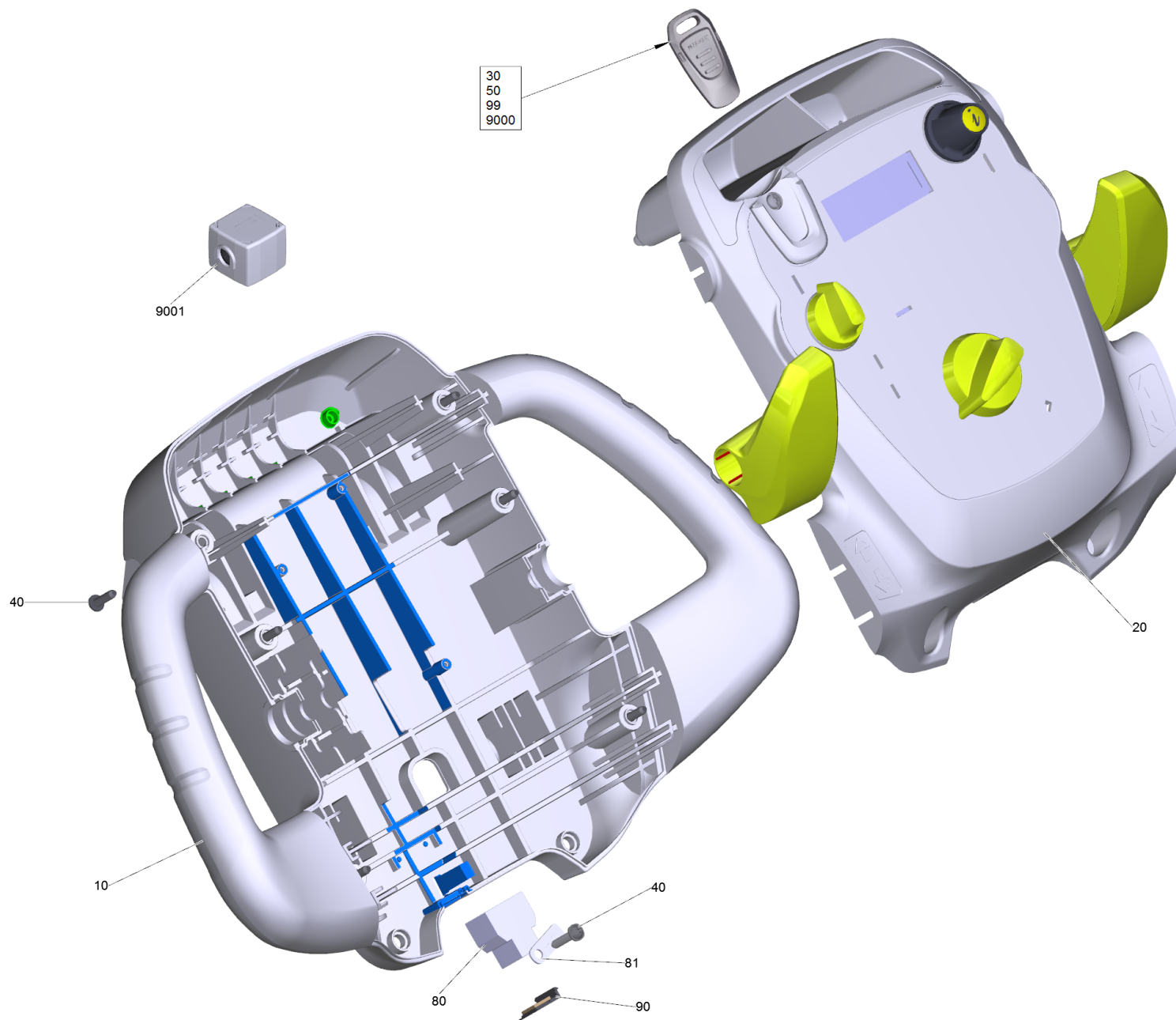
20 Holder suction bar (4.037-137.3)

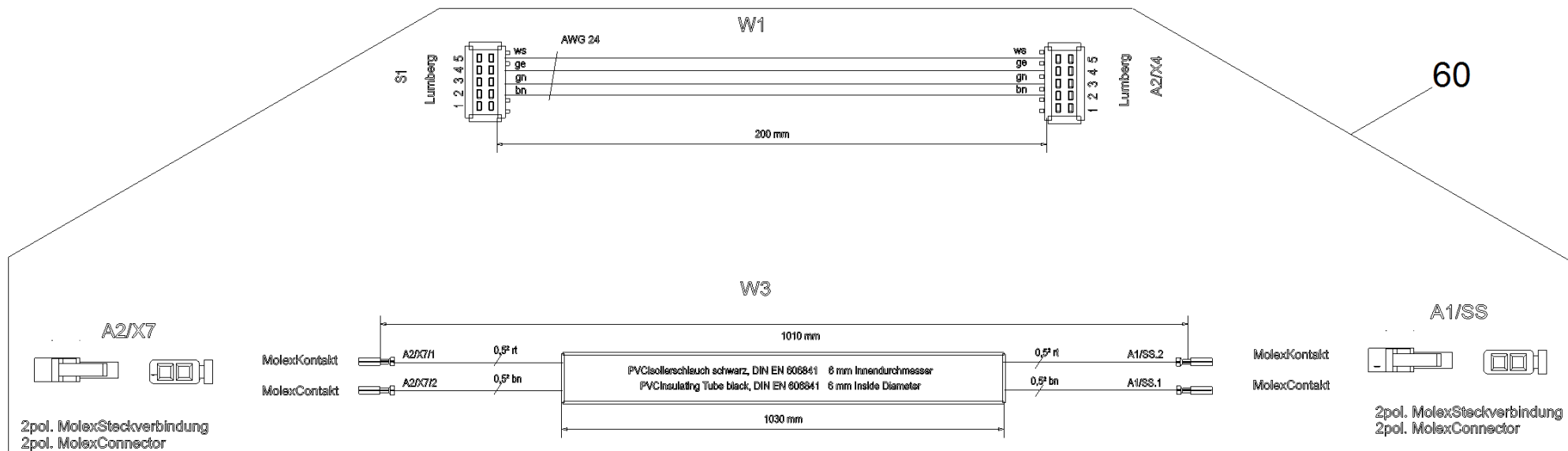
POS	Article no.	Description	Quantity	Unit
20	5.037-579.0	Sphere suction bar suspension	1	PC
30	7.311-431.0	Hexagon nut M 5-1.4305 DIN 985	1	PC
40	7.312-052.0	Washer 5 -A2 ISO 7089	1	PC
50	7.306-215.0	Screw M5x45 -8.8-P2R (In6Rd)	1	PC
60	7.312-282.0	Washer 5 -A2 ISO 7093-1	1	PC



100 Vacuum motor

POS	Article no.	Description	Quantity	Unit	Remark	Foot note text
1	5.035-333.0	Bearing vacuum motor	1	PC		
2	4.035-580.0	Vacuum motor replacement	1	PC		
3	5.035-332.0	Joint ring turbine	1	PC		
4	5.363-395.0	Seal	1	PC		
5	5.034-032.0	Air circulation turbine bottom	1	PC		VERSION 2
5	5.035-964.0	Air circulation bottom turbine	1	PC		VERSION 1
6	4.034-009.0	Air circulation turbine replacement	1	PC		VERSION 2
6	5.034-034.0	Air circulation turbine above foamed	1	PC		VERSION 3
6	7.777-999.0	Stockpiling discontinued	1	PC		VERSION 1
7	7.303-107.0	Screw 5x16 -10.9-P2R (K-In6Rd)	8	PC		
8	6.490-011.0	Carbon brush set	1	PC	24 V	
9	6.273-196.0	Seal string cellular rubber	1	m		TO ORDER AS CUT GOODS



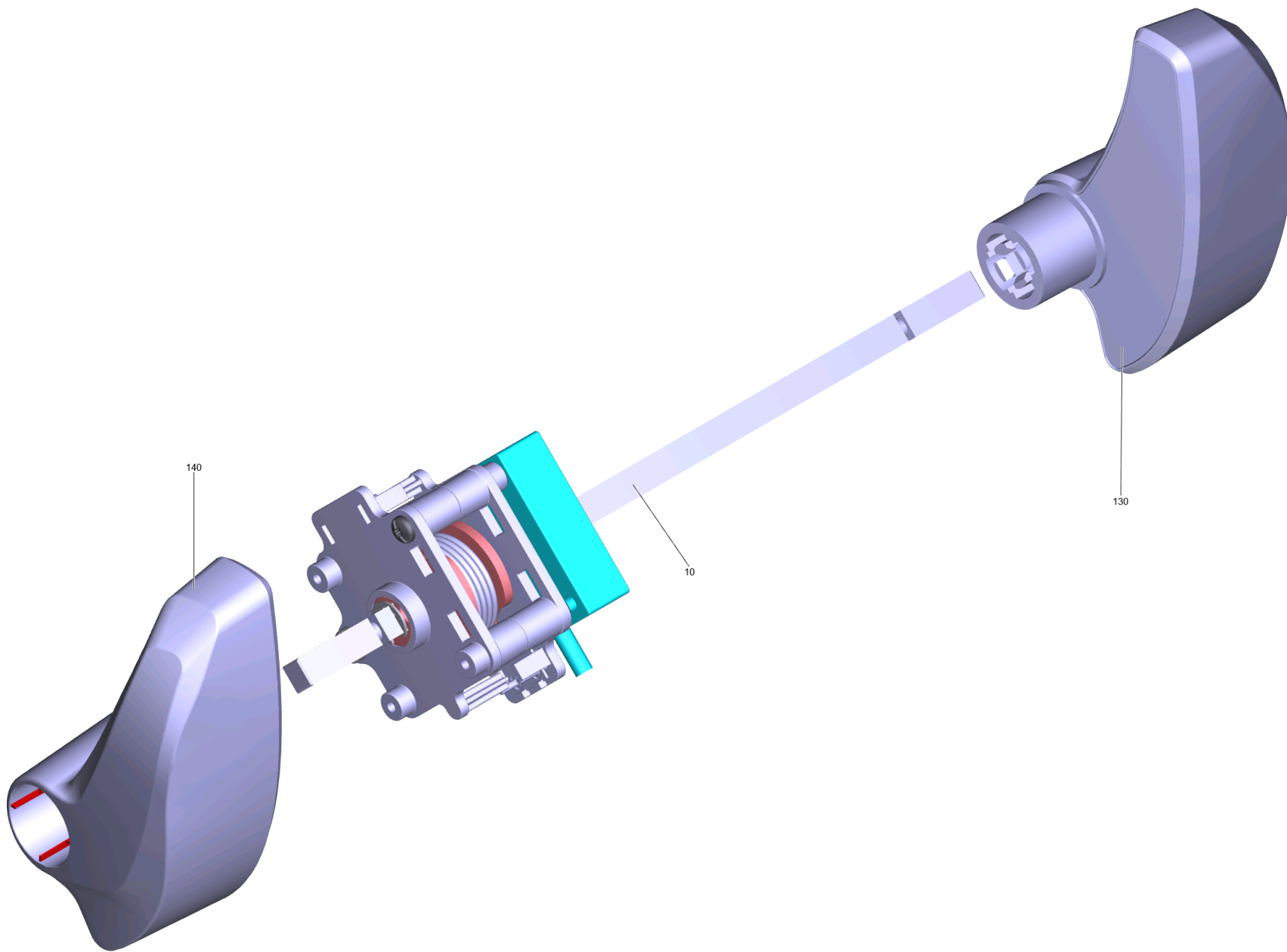


20 Control panel complete BAT W

POS	Article no.	Description	Quantity	Unit	Foot note text
10	4.035-131.0	Housing control panel replacement Bp W	1	PC	WITHOUT SLOT FOR 5.033-829.0
10	5.035-219.0	Housing bottom part control panel	1	PC	WITH SLOT FOR 5.033-829.0
20		Covering cap control panel complete BAT	1	PC	
30	5.035-344.0	Key yellow KIK	1	PC	
40	7.303-108.0	Screw 5x20 -10.9-R2R (In6Rd)	7	PC	
50	5.035-348.0	Key grey KIK	1	PC	
60	4.035-431.0	Cable harness control panel replacement	1	PC	
80	6.330-111.0	Adapter RJ45 Y-Splitter	1	PC	
81	5.035-196.0	Plate stiffener	1	PC	VERSION 2
90	5.033-829.0	Rubber stopper control panel	1	PC	
99	5.035-337.0	Key red KIK	1	PC	
9000	4.035-064.0	Set key white KIK	1	PC	SET WITH 5 PIECES
9000	4.035-076.0	Key white KIK	1	PC	
9001	6.574-216.0	Ferrite core	1	PC	

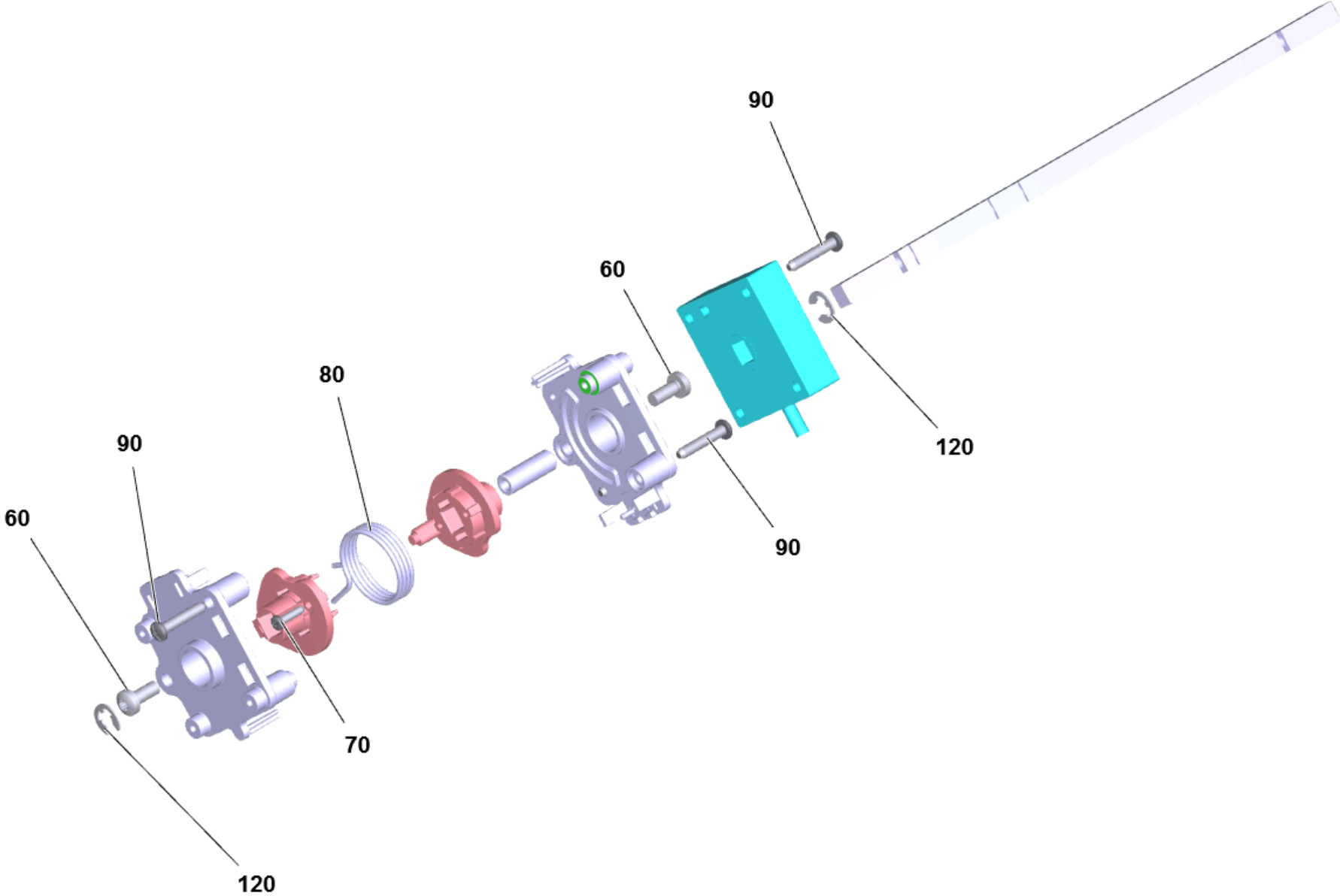
20 Covering cap control panel complete BAT

POS	Article no.	Description	Quantity	Unit	Foot note text
10	4.035-118.0	Covering cap control panel replacement B	1	PC	WITH SLOT FOR 5.033-829.0
10	4.035-413.0	Covering cap control panel foil Bp W	1	PC	WITHOUT SLOT FOR 5.033-829.0
20	4.035-000.0	Tachograph complete	1	PC	
30	4.683-311.3	Circuit board replacement W	1	PC	
40	4.035-608.0	Handhold operational concept complete	1	PC	
50	5.321-750.0	Handhold info panel	1	PC	
60	7.303-274.0	Screw 5x12 -A2-70 (In6Rd)	1	PC	
65	7.312-052.0	Washer 5 -A2 ISO 7089	1	PC	
70	5.035-343.0	Guide key	1	PC	
100	4.035-415.0	Switch program selection replacement	1	PC	
105	7.305-036.0	Countersunk screw M4x12 -A2-70-s (IN6RD	2	PC	
130	5.035-437.0	Rotary controller	1	PC	
150	6.649-933.0	Cable Patch	1	PC	
170	6.388-958.0	Hose	1	m	TO ORDER AS CUT GOODS



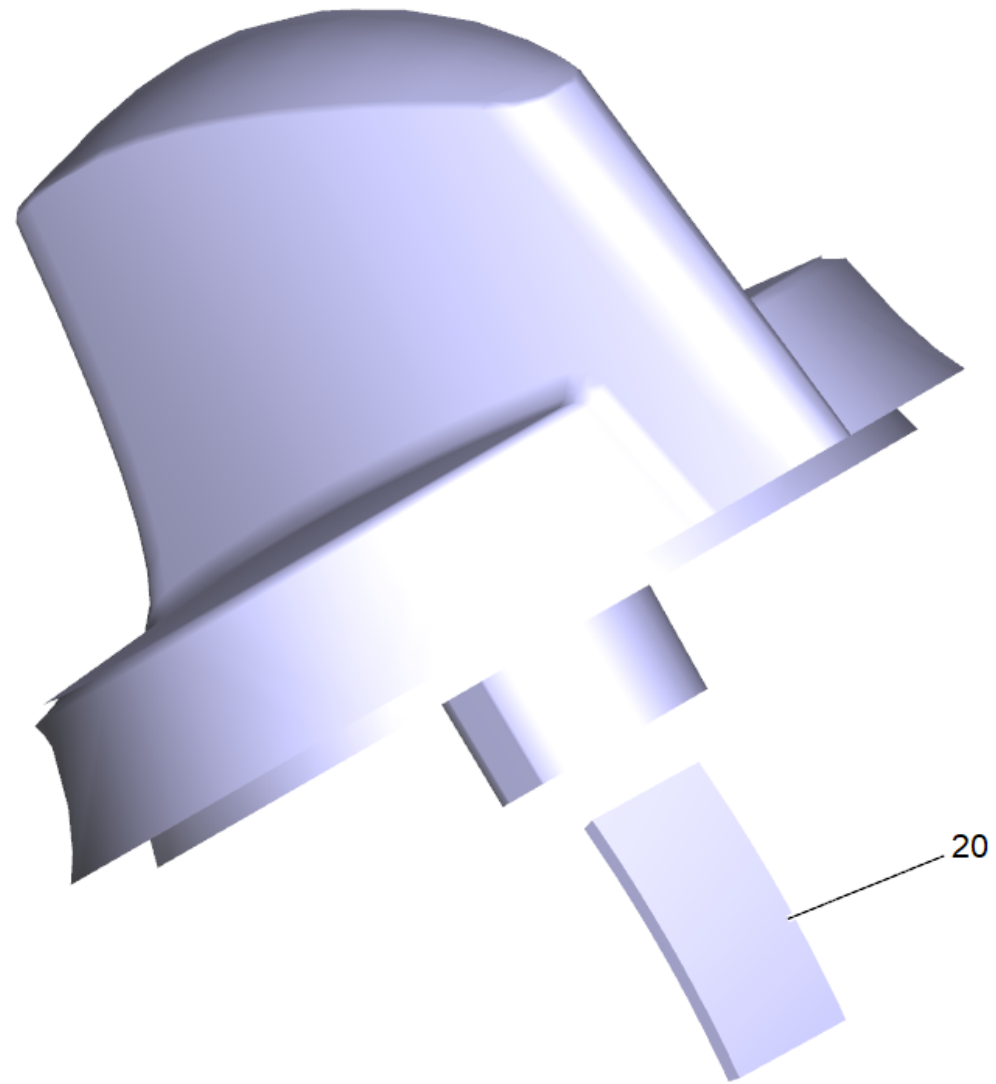
20 Tachograph complete (4.035-000.0)

POS	Article no.	Description	Quantity	Unit
10	4.035-002.0	Tachograph set	1	PC
130	4.035-495.0	Tachograph right complete	1	PC
140	4.035-496.0	Tachograph left complete	1	PC



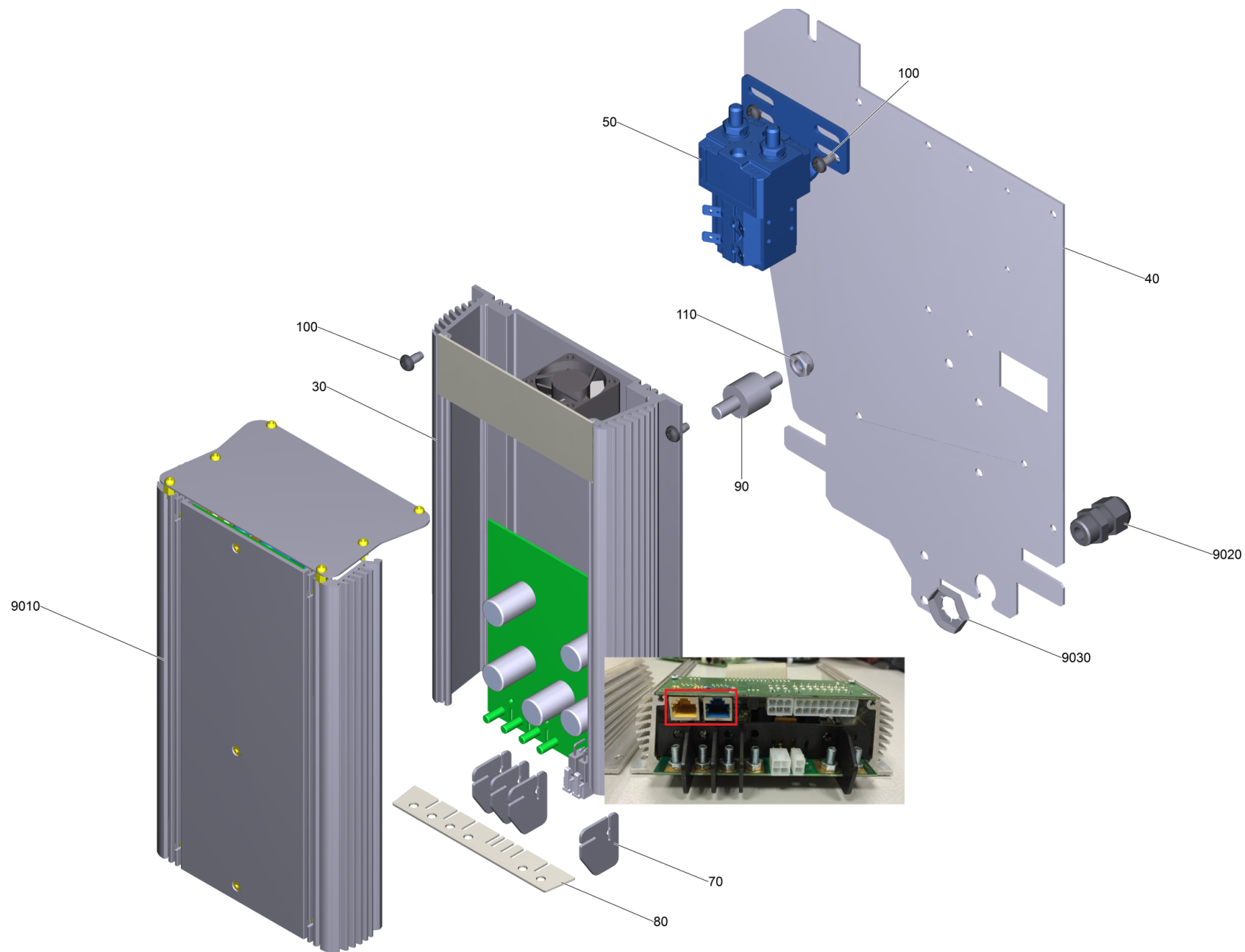
10 Tachograph set (4.035-002.0)

POS	Article no.	Description	Quantity	Unit
60	7.306-394.0	Screw M5x12 -8.8-ZNBHL ISO 14583	2	PC
70	6.303-557.0	Screw 3x12 Kombitorx T8	2	PC
80	6.330-441.0	Torsion spring tachograph	1	PC
90	7.303-096.0	Screw 4x22-ST-10.9-R2R (IN6RD)	4	PC
120	7.343-201.0	Lock washer 6-FST-PHR DIN 6799	2	PC



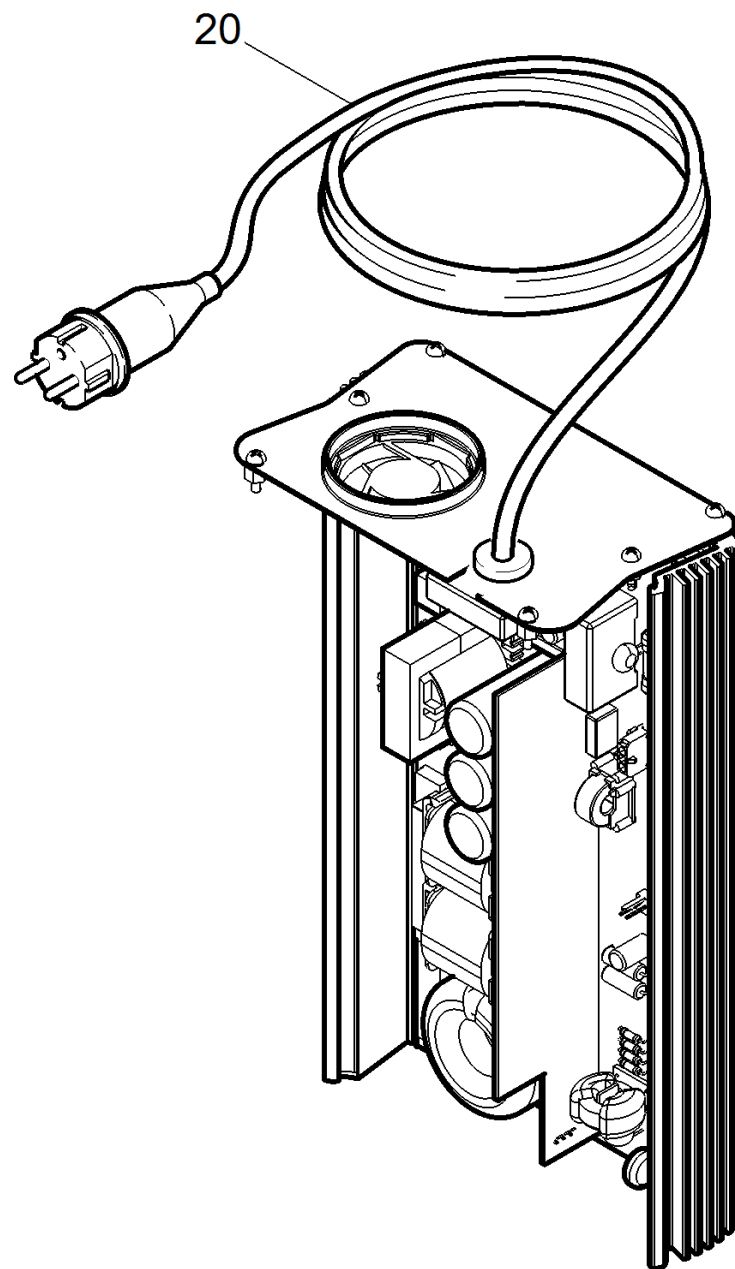
40 Handhold operational concept complete (4.035-608.0)

POS	Article no.	Description	Quantity	Unit
20	6.313-014.0	Spring element	1	PC



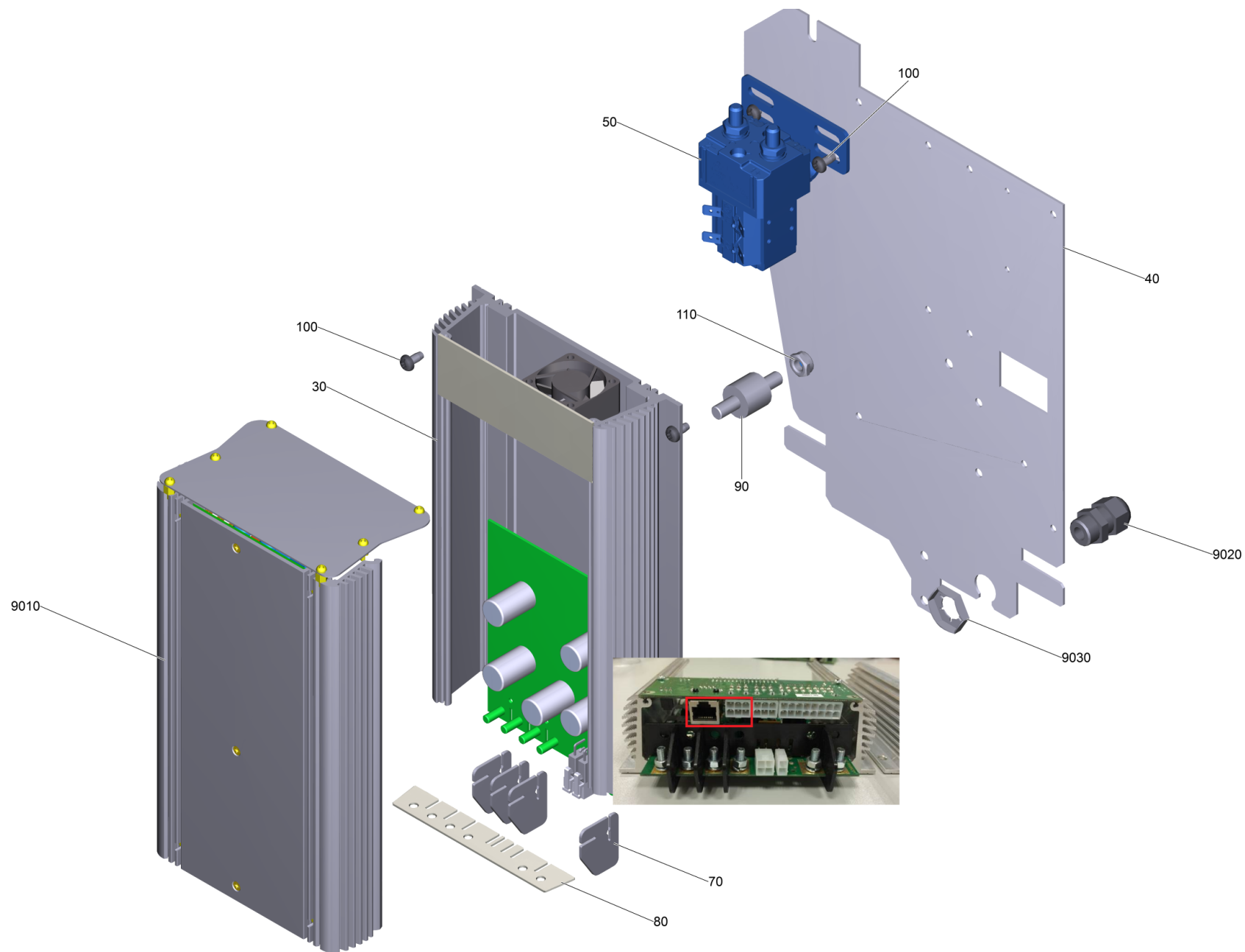
40 Electric equipment B40 W Bp Dose CAN

POS	Article no.	Description	Quantity	Unit
10	4.822-900.0	Cable harness B40 W	1	PC
30	4.683-075.0	Electronics control system replacement B	1	PC
40	5.035-449.0	Plate base plate electronics	1	PC
50	4.633-110.0	Relay replacement set	1	PC
70	5.035-359.0	Moulded part plate electronics klein	4	PC
80	5.035-362.0	Moulded part plate electronics	1	PC
90	6.652-033.0	Isolator	1	PC
100	7.303-037.0	Screw M5x10 -St-P2R (In6Rd)	6	PC
110	7.311-427.0	Hexagon nut M8 -04-A2E DIN 985	1	PC
9000	6.645-554.0	Connecting cable control system battery charger	1	PC
9010	6.683-119.0	Battery charger replacement B 40 *EU	1	PC
9020	6.648-399.0	Cable gland black M16x1,5	1	PC
9030	7.777-999.0	Stockpiling discontinued	1	PC



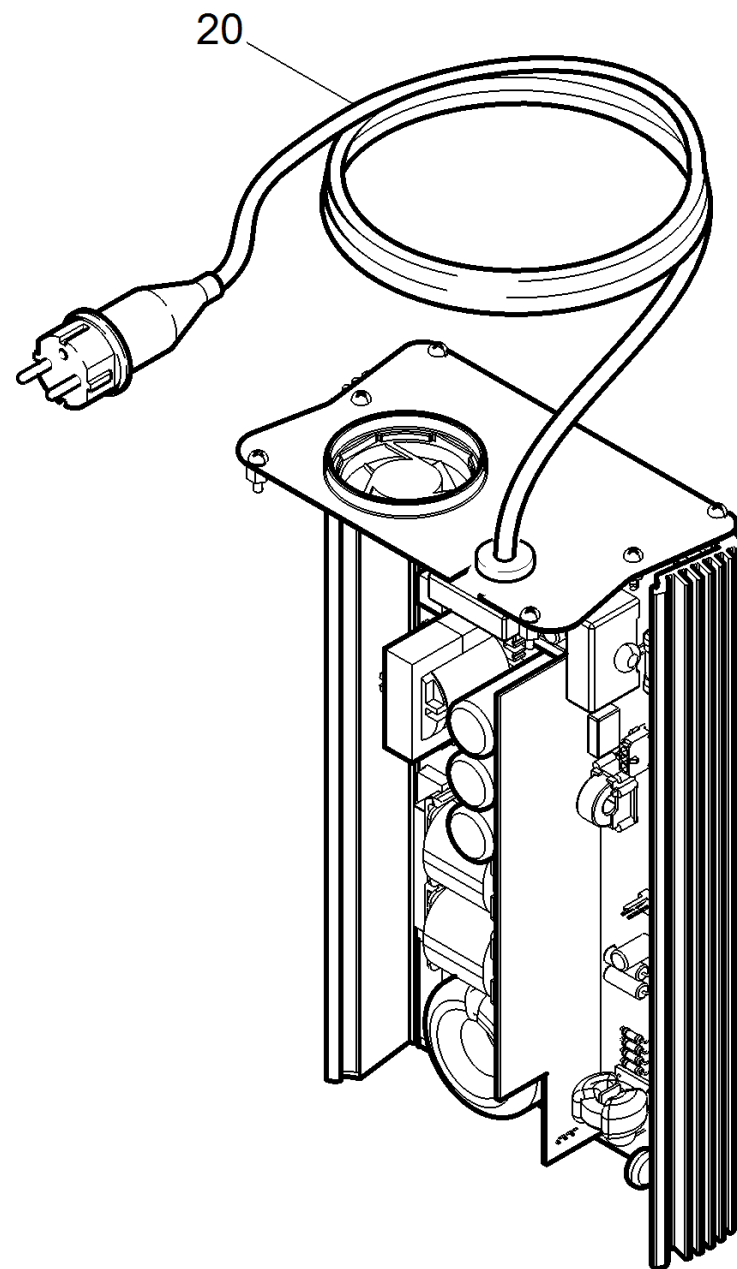
9010 Battery charger replacement B 40 *EU (6.683-119.0)

POS	Article no.	Description	Quantity	Unit	Remark
20	6.645-553.0	Cable with plug	1	PC	*EU
20	6.645-586.0	Cable with plug B40-USA	1	PC	*US



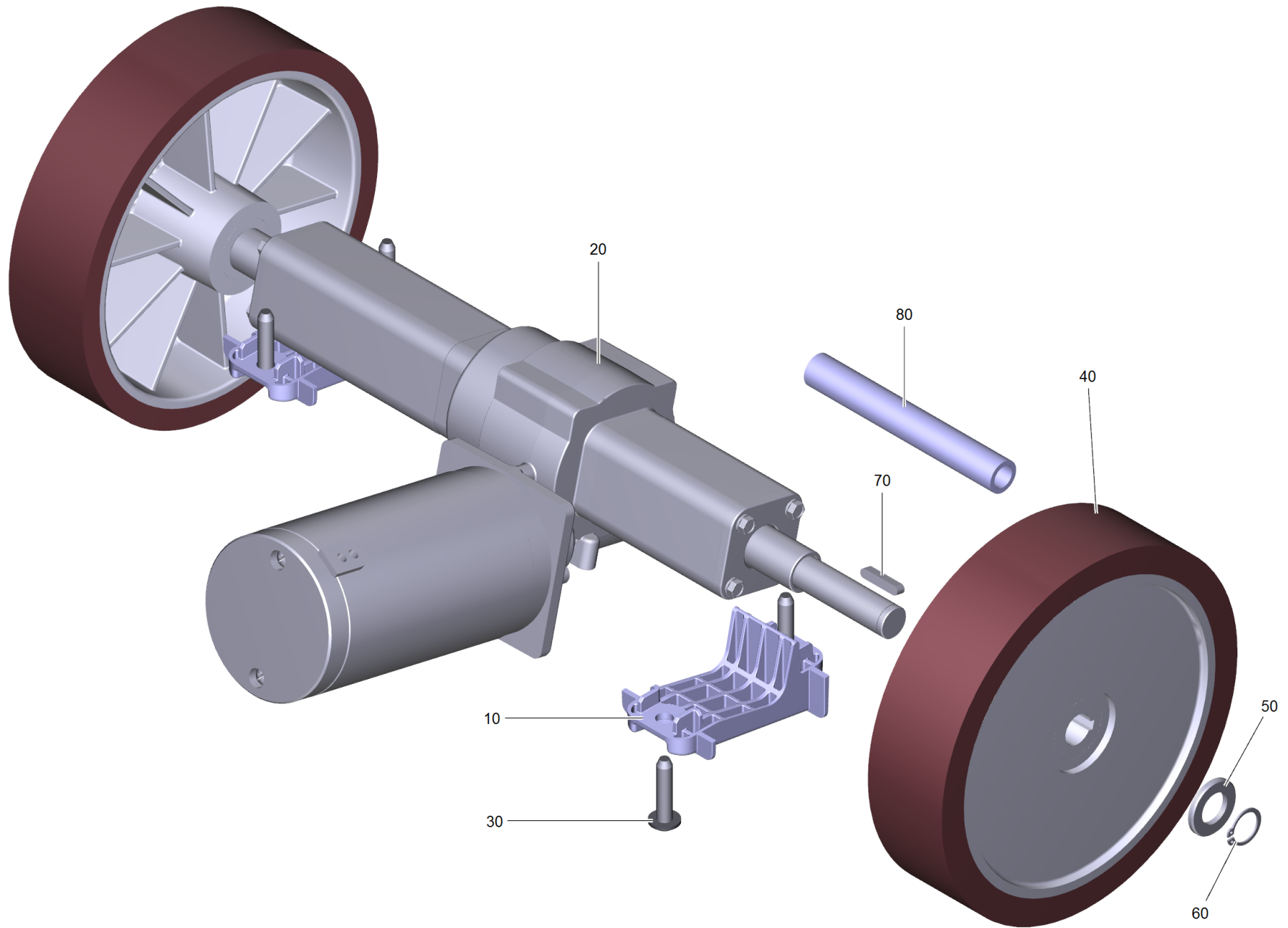
40 Electric equipment B40 W Bp Dose

POS	Article no.	Description	Quantity	Unit
10	4.822-900.0	Cable harness B40 W	1	PC
30	4.683-075.0	Electronics control system replacement B	1	PC
40	5.035-449.0	Plate base plate electronics	1	PC
50	6.633-389.0	Relay 24VDC / 100A	1	PC
70	5.035-359.0	Moulded part plate electronics klein	4	PC
80	5.035-362.0	Moulded part plate electronics	1	PC
90	6.652-033.0	Isolator	1	PC
100	7.303-037.0	Screw M5x10 -St-P2R (In6Rd)	6	PC
110	7.311-427.0	Hexagon nut M8 -04-A2E DIN 985	1	PC
120	6.648-399.0	Cable gland black M16x1,5	1	PC
130	7.777-999.0	Stockpiling discontinued	1	PC
9000	6.645-554.0	Connecting cable control system battery charger	1	PC
9010	6.654-337.0	Battery charger replacement B 40 Japan	1	PC
9010	6.683-119.0	Battery charger replacement B 40 *EU	1	PC
9020	6.648-399.0	Cable gland black M16x1,5	1	PC
9030	7.777-999.0	Stockpiling discontinued	1	PC



9010 Battery charger replacement B 40 *EU (6.683-119.0)

POS	Article no.	Description	Quantity	Unit	Remark
20	6.645-553.0	Cable with plug	1	PC	*EU
20	6.645-586.0	Cable with plug B40-USA	1	PC	*US

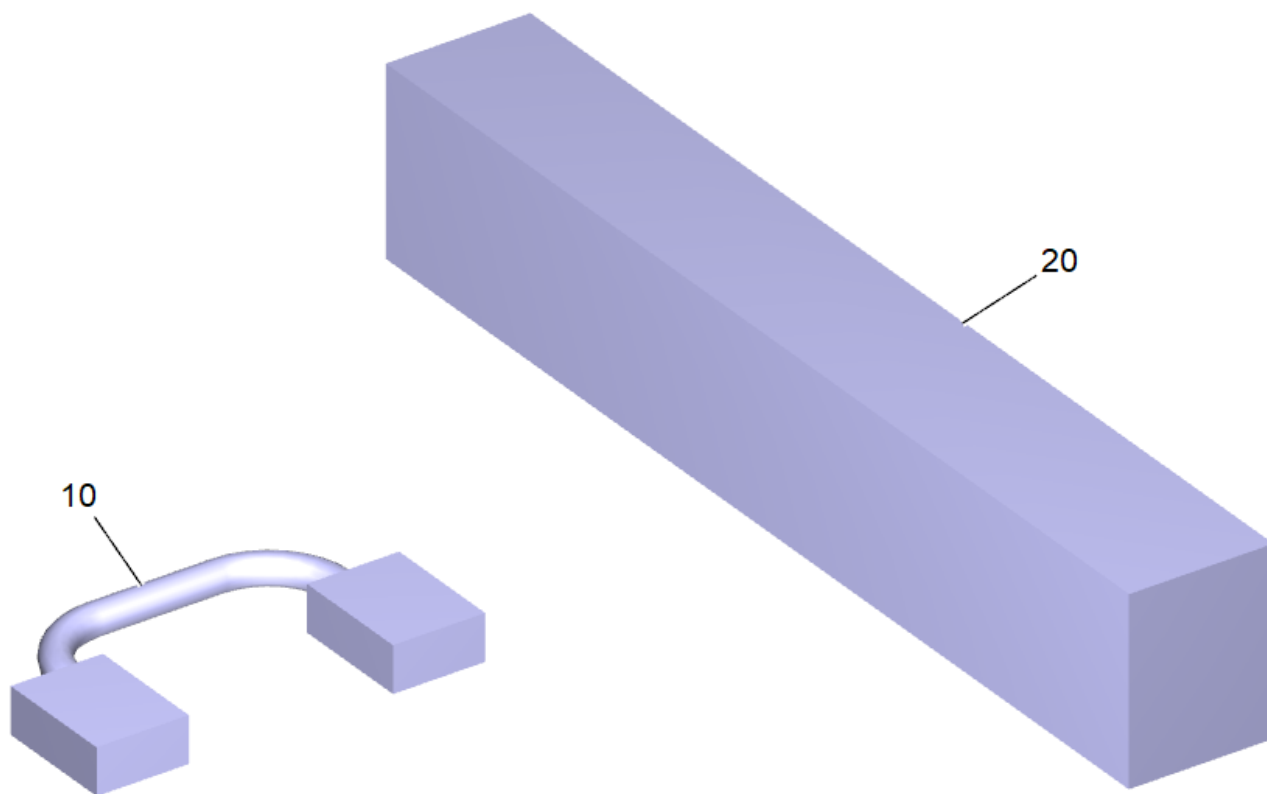


70 Gear complete B 40 W

POS	Article no.	Description	Quantity	Unit	Foot note text
10	5.035-351.0	Holder wheel drive motor	2	PC	
20	6.613-512.3	Wheel drive motor B40W	1	PC	
30	6.303-315.0	Screw 8 x 35	4	PC	
40	6.035-055.0	Wheel transmission conductive D200x50	2	PC	CHANGE BOTH WHEELS!
50	7.312-057.0	Washer 16 -A2 ISO 7089	2	PC	
60	7.343-029.0	Locking ring 17x1-FST-RF DIN 471	2	PC	
70	7.318-009.0	Parallel key 5x5x40-C45K DIN 6885	2	PC	
80	6.642-011.0	Insulating hose 10	1	m	TO ORDER AS CUT GOODS

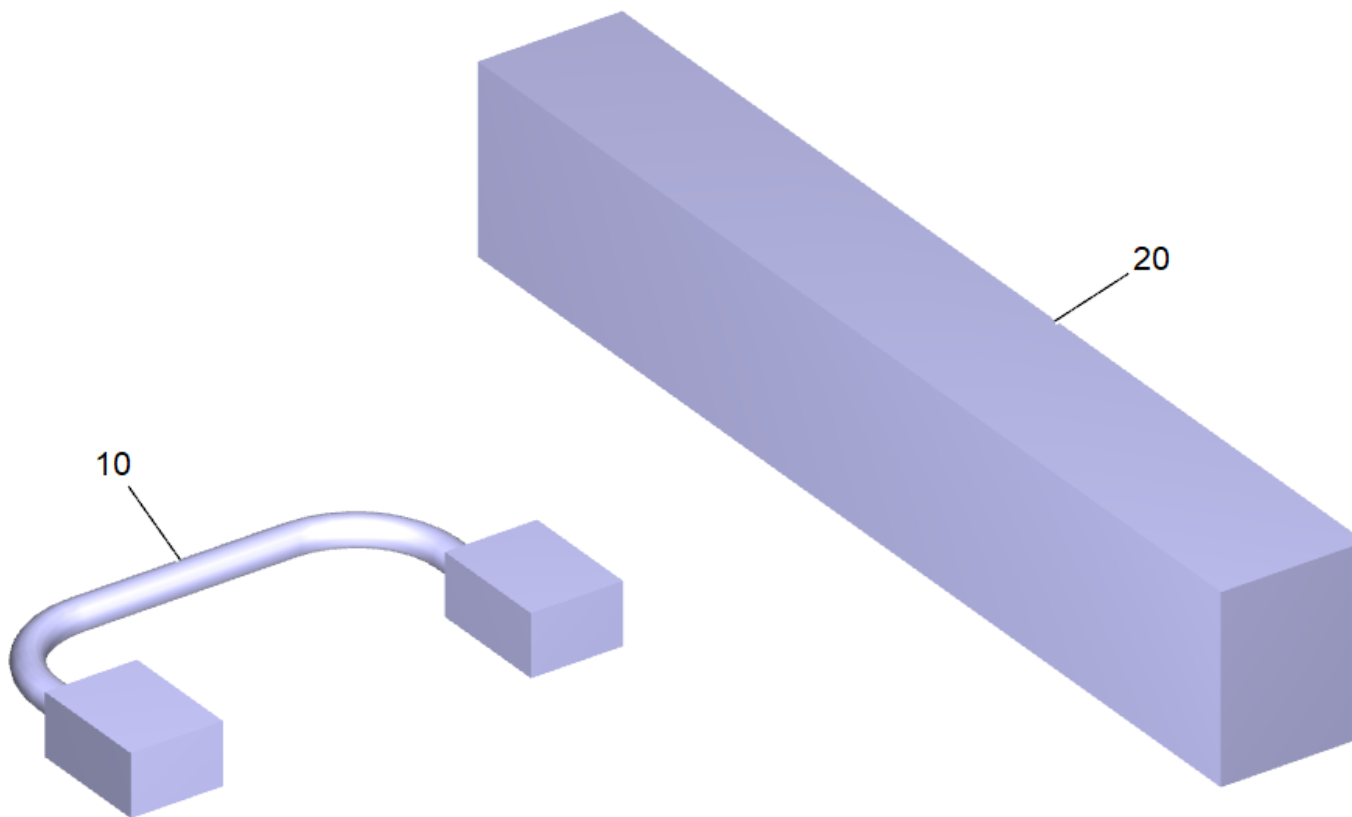
20 Wheel drive motor B40W (6.613-512.3)

POS	Article no.	Description	Quantity	Unit
10	6.490-069.0	Carbon brush set	1	PC



9523 Mounting kit battery kit (2.638-036.0)

POS	Article no.	Description	Quantity	Unit
10	6.649-879.0	Cable battery 25 mm ² . 160 mm	1	PC
20	5.642-021.0	Distance holder battery	1	PC

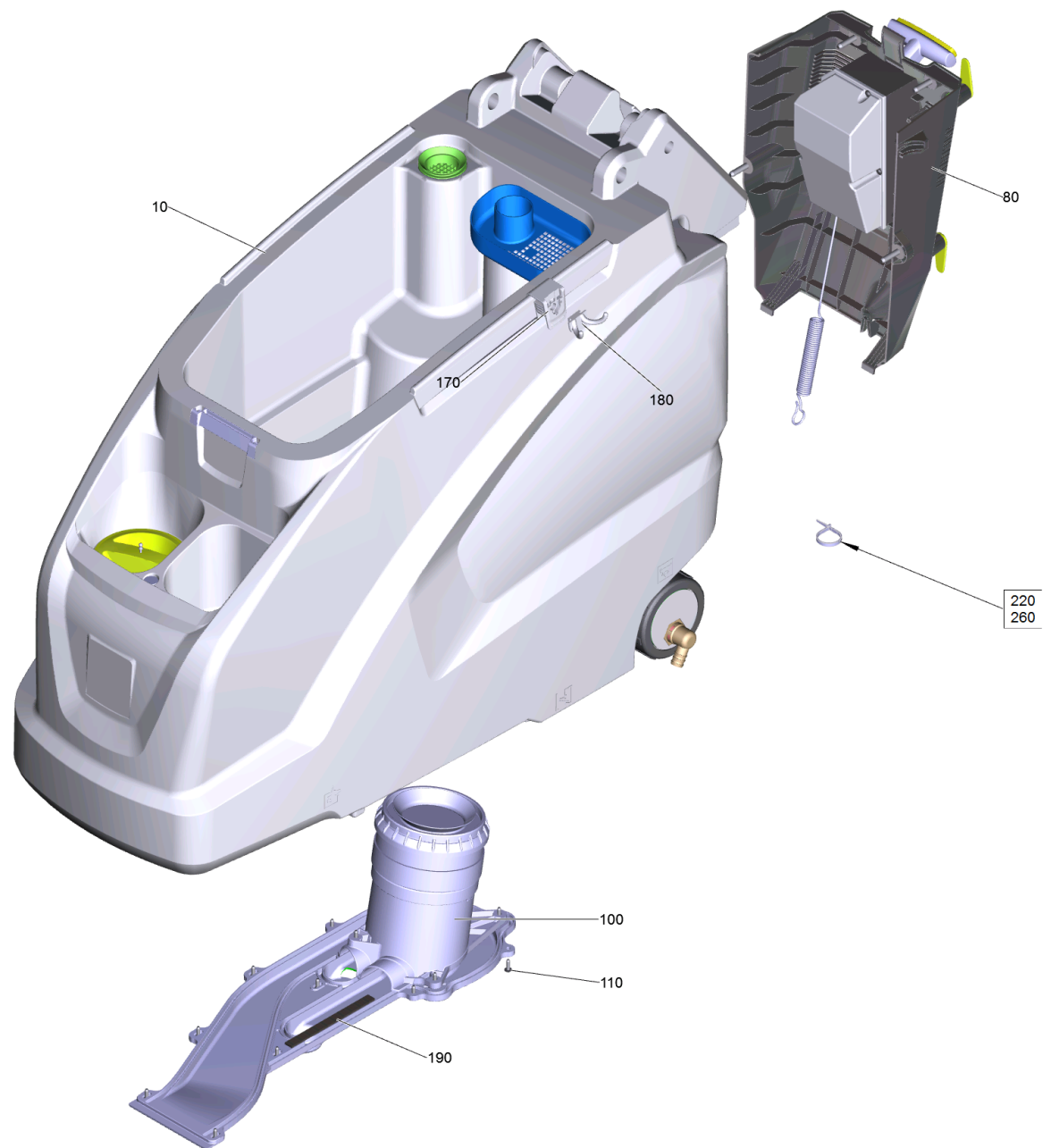


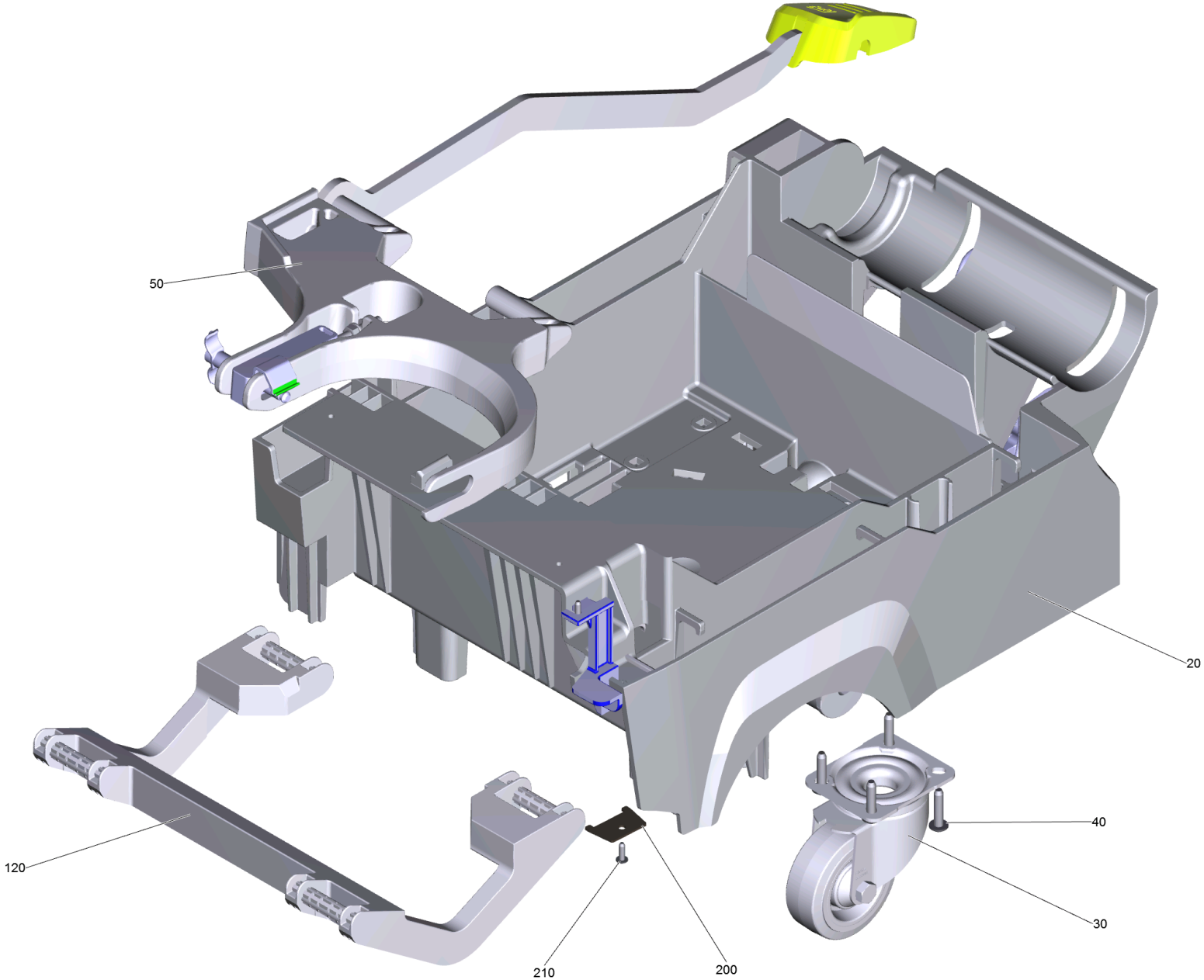
9531 Mounting kit battery kit (2.638-059.0)

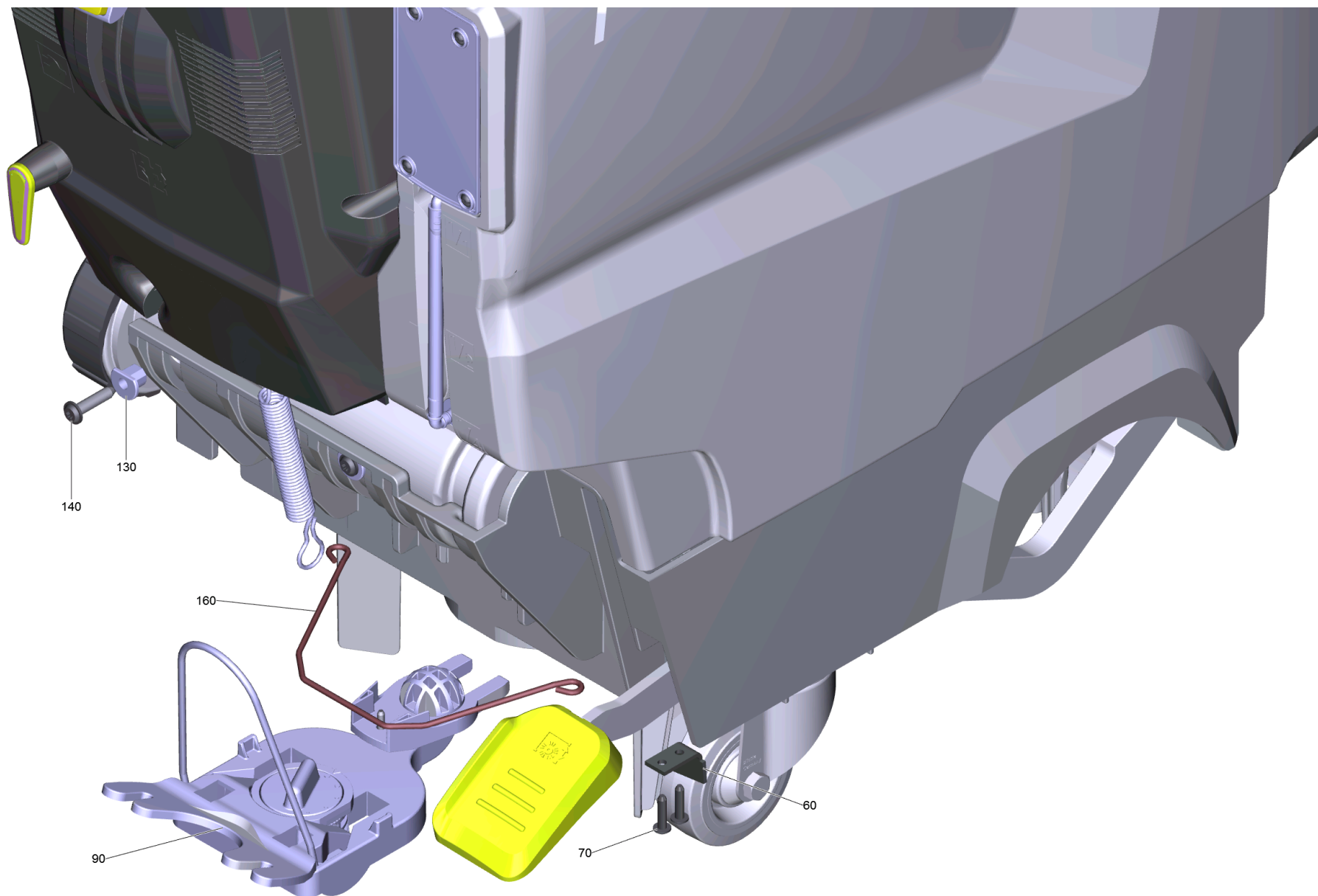
POS	Article no.	Description	Quantity	Unit
10	6.649-601.0	Cable battery short Hoppecke	1	PC
20	5.642-021.0	Distance holder battery	1	PC

60 B 40 W Bp Dose (2.533-205.0)

POS	Article no.	Description	Quantity	Unit	Foot note text
10		Basic machinery B40	1	PC	
20		Control panel complete BAT W	1	PC	
30	6.303-315.0	Screw 8 x 35	4	PC	
40		Electric equipment B40 W Bp Dose CAN	1	PC	NEW VERSION
40		Electric equipment B40 W Bp Dose	1	PC	OLD VERSION
42	6.373-877.0	Hose clip	1	PC	
50	5.035-450.0	Bearing bush electronics	2	PC	
51	5.035-433.0	Adapter	2	PC	
60	7.303-107.0	Screw 5x16 -10.9-P2R (K-In6Rd)	4	PC	
70		Gear complete B 40 W	1	PC	
80		RM tin B40	1	PC	
100	6.472-007.3	Solenoid valve 24 V	1	PC	
160	6.390-892.0	Spiral hose NW12	1	m	TO ORDER AS CUT GOODS
170	5.443-375.0	Hose stem	1	PC	
180	6.362-170.0	O-Ring seal 11,3 X 2,4-NBR 70	1	PC	
300	6.644-618.0	Pole binder	1	PC	
310	5.394-852.0	Covering cap battery terminal	1	PC	
320	6.641-463.0	Cable tape	2	PC	
1000		Documentation B40 W Bp	1	PC	
9520	2.815-099.0	Battery kit Gel 2x 12V/76Ah	1	SET	
9521	2.815-100.0	Battery kit Gel 2x 12V/105Ah	1	SET	
9522	2.815-090.0	Battery kit AGM 2x 12V/80Ah	1	SET	
9523	2.638-036.0	Mounting kit battery kit	1	PC	
9530	2.815-091.0	Battery kit AGM 2x 12V/115Ah	1	SET	
9531	2.638-059.0	Mounting kit battery kit	1	PC	

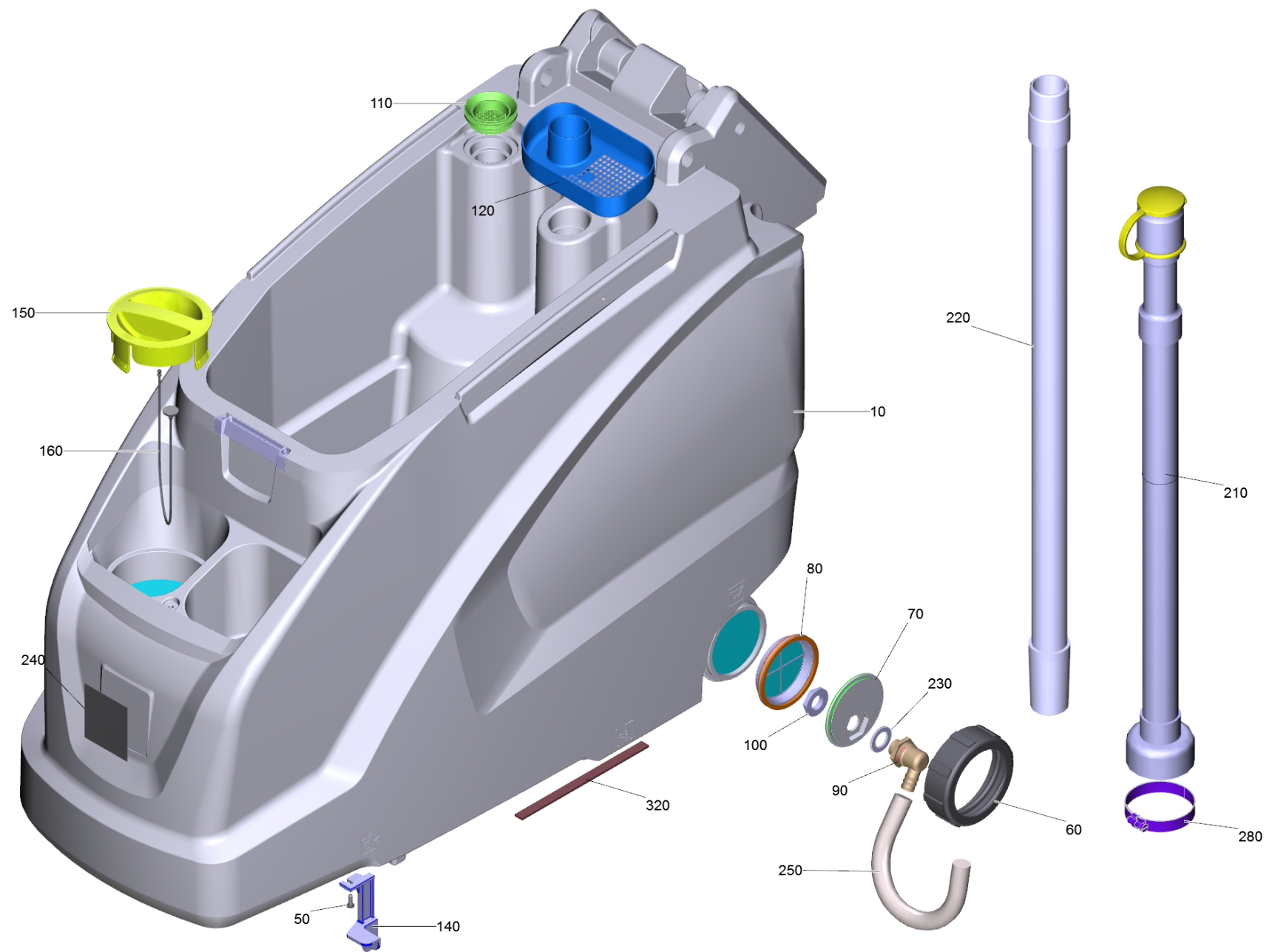


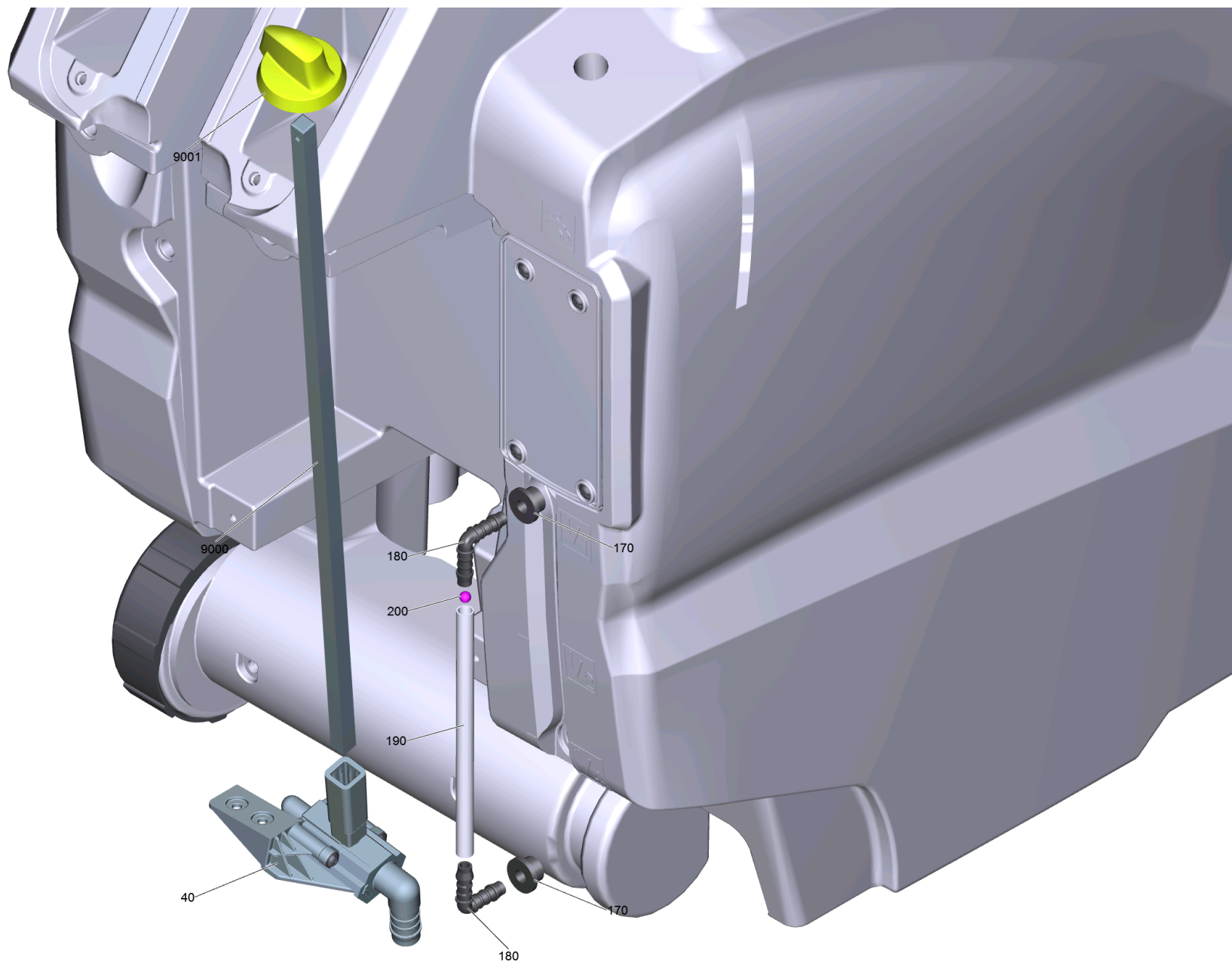


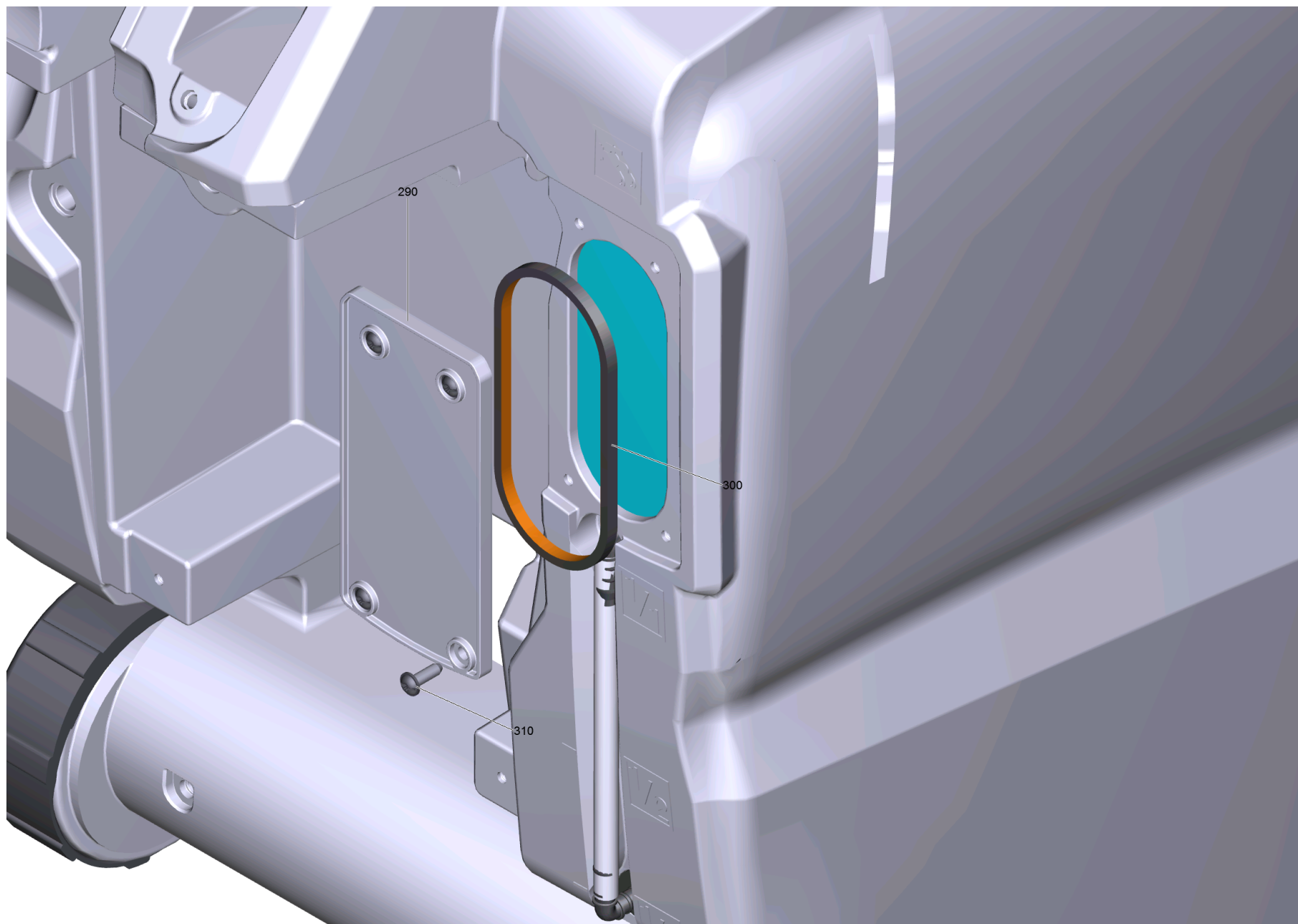


10 Basic machinery B40

POS	Article no.	Description	Quantity	Unit	Foot note text
10	4.035-335.0	Tank complete	1	PC	
20	5.035-350.0	Frame B40	1	PC	
30	6.435-011.3	Castor	2	PC	
40	6.303-315.0	Screw 8 x 35	8	PC	
50		Suspension brush-head complete	1	PC	
60	5.035-361.0	Sheet metal component	1	PC	
70	7.303-109.0	Screw 5x25 -10.9-R2R (In6Rd)	2	PC	
80		Covering cap rear complete	1	PC	
90		Suction bar lifting complete	1	PC	
100		Vacuum motor enclosure	1	PC	
110	7.303-107.0	Screw 5x16 -10.9-P2R (K-In6Rd)	13	PC	
120	5.035-334.0	Retaining bracket connecting rod	1	PC	
130	5.035-522.0	Sleeve	3	PC	
140	6.303-315.0	Screw 8 x 35	3	PC	
160	5.035-440.0	Wire spring	1	PC	
170	5.035-488.0	Adapter Homebase	1	PC	
180	6.980-077.0	Double hook	1	PC	
190	6.273-090.0	Sealing tape 13x3	1	m	TO ORDER AS CUT GOODS
200	5.035-726.0	Plate	1	PC	
210	7.303-107.0	Screw 5x16 -10.9-P2R (K-In6Rd)	1	PC	
220	6.641-465.0	Cable tape	1	PC	
260	6.647-081.0	Cable tape	1	PC	

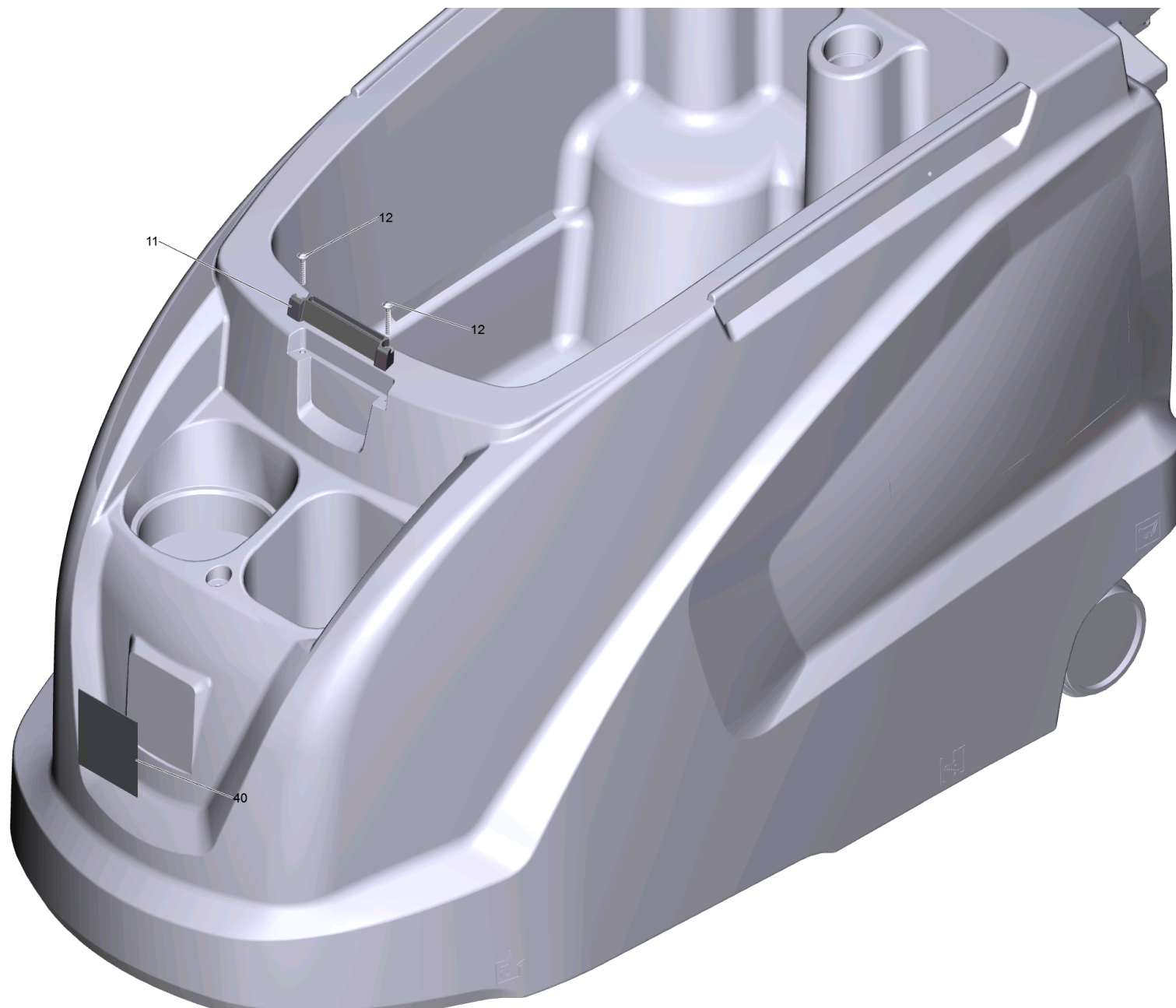






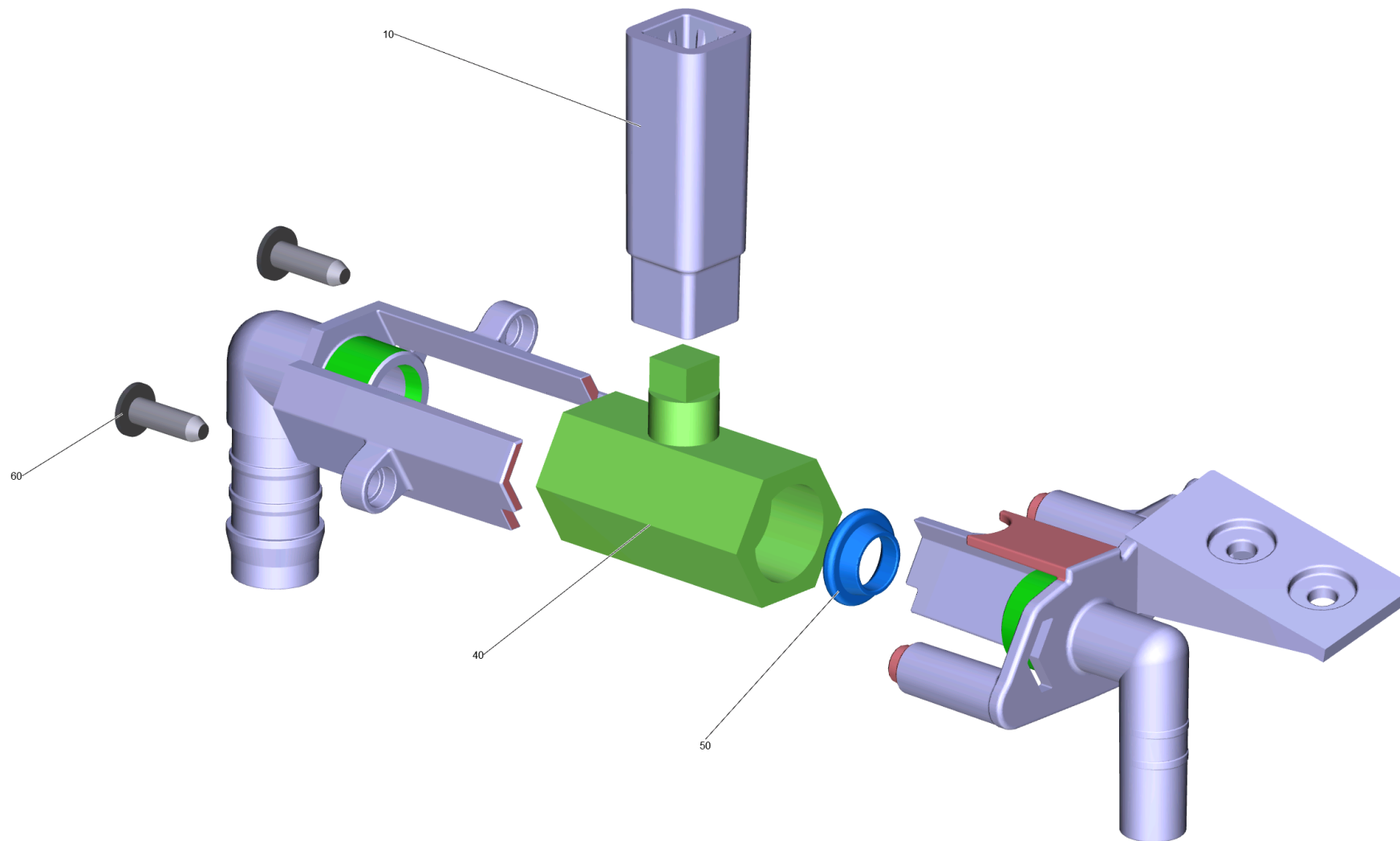
10 Tank complete (4.035-335.0)

POS	Article no.	Description	Quantity	Unit	Foot note text
10	4.035-429.0	Tank replacement B40	1	PC	
40	4.035-426.0	Ball valve complete replacement	1	PC	
50	7.303-107.0	Screw 5x16 -10.9-P2R (K-In6Rd)	3	PC	
60	5.035-341.0	Cover fresh water tank discharge	1	PC	
70	5.035-342.0	Hose connection fresh water discharge	1	PC	
80	5.035-376.0	Filter discharge	1	PC	
90	6.395-163.3	Angle bushing G1-2	1	PC	
100	6.310-004.0	Hexagon nut G 1/2"	1	PC	
110	5.515-266.0	Joint ring fluffing strainer	1	PC	
120	5.036-932.0	Tank bulk waste yellow	1	PC	
140	5.035-435.0	Tank locking part	1	PC	
150	5.034-099.0	Cover fresh water metering RM	1	PC	
160	5.035-358.0	Mounting rope cover fresh water tank	1	PC	
170	5.035-608.0	Wire protecting sleeve	2	PC	
180	6.391-913.0	Elbow nipple	2	PC	
190	5.035-328.0	Silicon hose level indicator	1	PC	
200	6.035-072.0	Sphere level indicator D6	1	PC	
210	4.035-285.0	Drain hose with cover PU	1	PC	OIL RESISTANT
220	6.392-471.0	Suction hose PU DN32	1	PC	
230	5.515-253.0	Seal D34	1	PC	
240	5.394-081.0	Label signet gel 78x86	1	PC	
250	6.390-324.0	Hose DN16	1	m	TO ORDER AS CUT GOODS
280	6.388-767.0	Hose clip 70- 90	1	PC	
290	4.035-370.0	Screen filling system	1	PC	
300	5.035-418.0	Seal fixing plate	1	PC	
310	7.303-107.0	Screw 5x16 -10.9-P2R (K-In6Rd)	4	PC	
320	6.273-043.0	Sealing tape cellularrubber 9x4	1	m	TO ORDER AS CUT GOODS
9000	5.035-369.0	Bar	1	PC	
9001	5.035-404.0	Handle	1	PC	



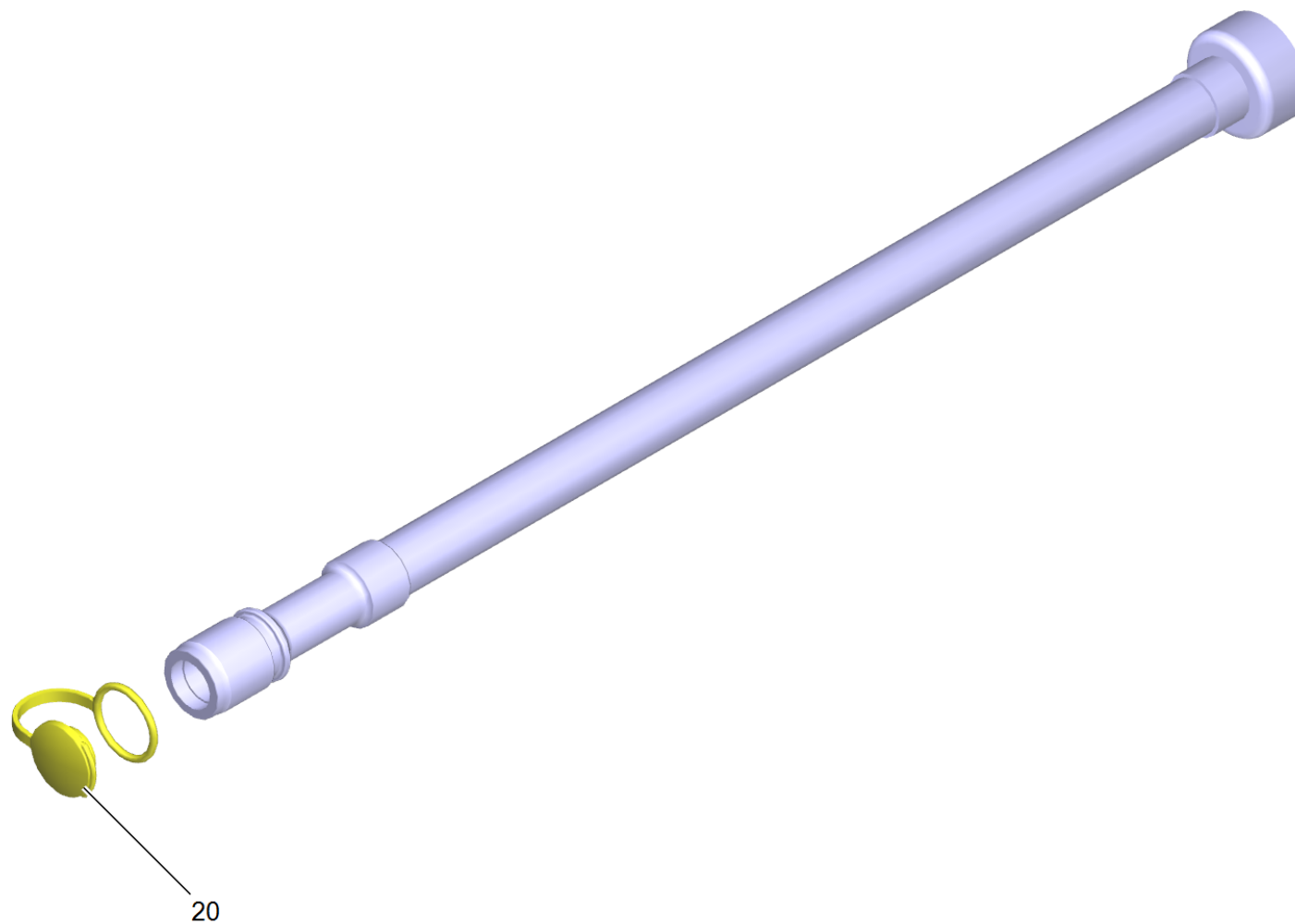
10 Tank replacement B40 (4.035-429.0)

POS	Article no.	Description	Quantity	Unit
11	5.035-482.0	Add-on part tank cover	1	PC
12	7.303-086.0	Screw 5x30 -10.9-R2R (K-In6Rd)	2	PC
40	5.394-081.0	Label signet gel 78x86	1	PC



40 Ball valve complete replacement (4.035-426.0)

POS	Article no.	Description	Quantity	Unit
10	5.035-459.0	Coupler piece ball valve	1	PC
40	6.413-586.0	Ball valve without handhold	1	PC
50	5.035-770.0	Seal ball valve	2	PC
60	7.303-107.0	Screw 5x16 -10.9-P2R (K-In6Rd)	2	PC

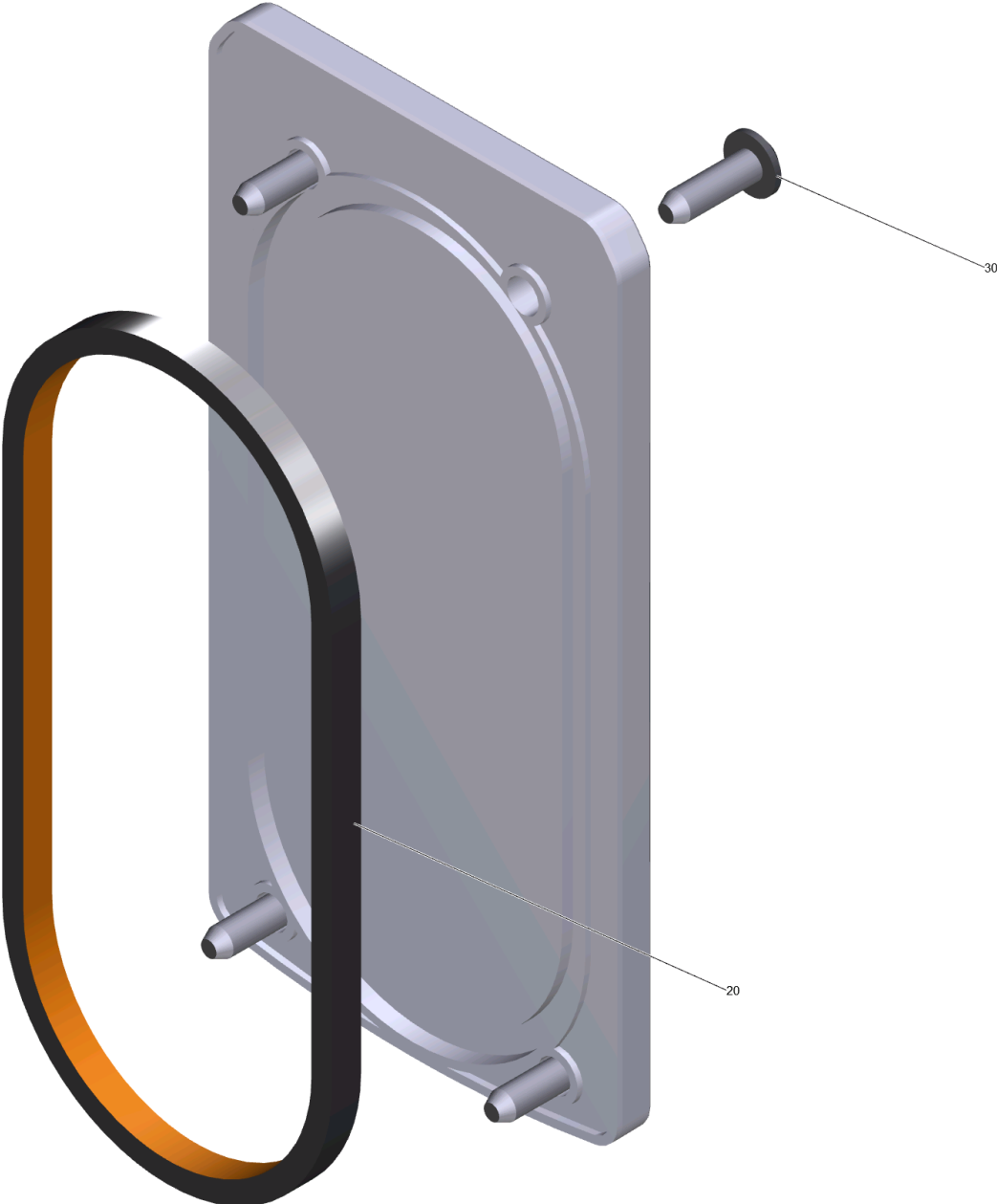


210 Drain hose with cover PU (4.035-285.0)

POS	Article no.	Description	Quantity	Unit
20	5.036-249.0	Cover plate drain hose yellow PU	1	PC

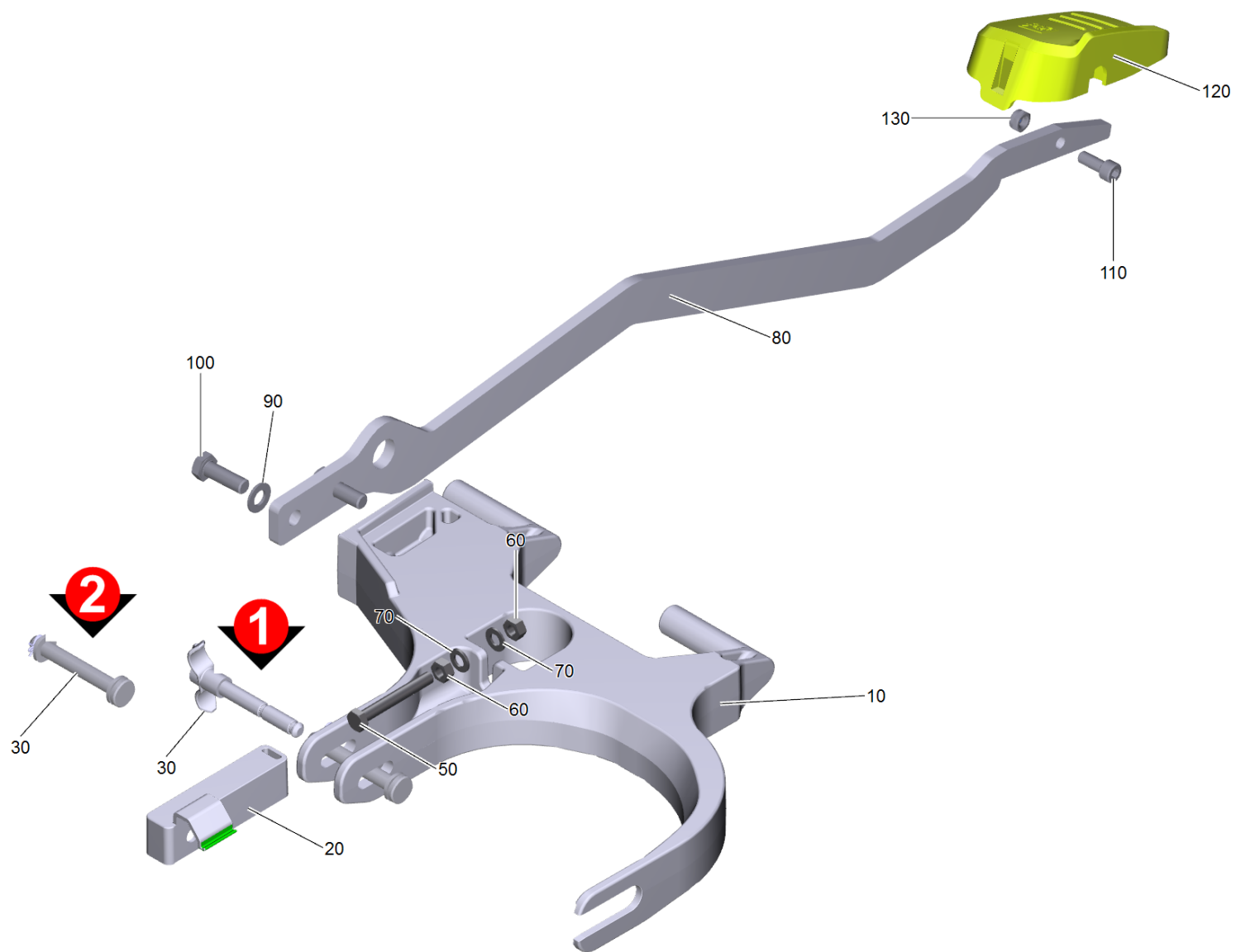
290 Screen filling system (4.035-370.0)

POS	Article no.	Description	Quantity	Unit
10	4.035-370.7	Screen filling system	1	PC



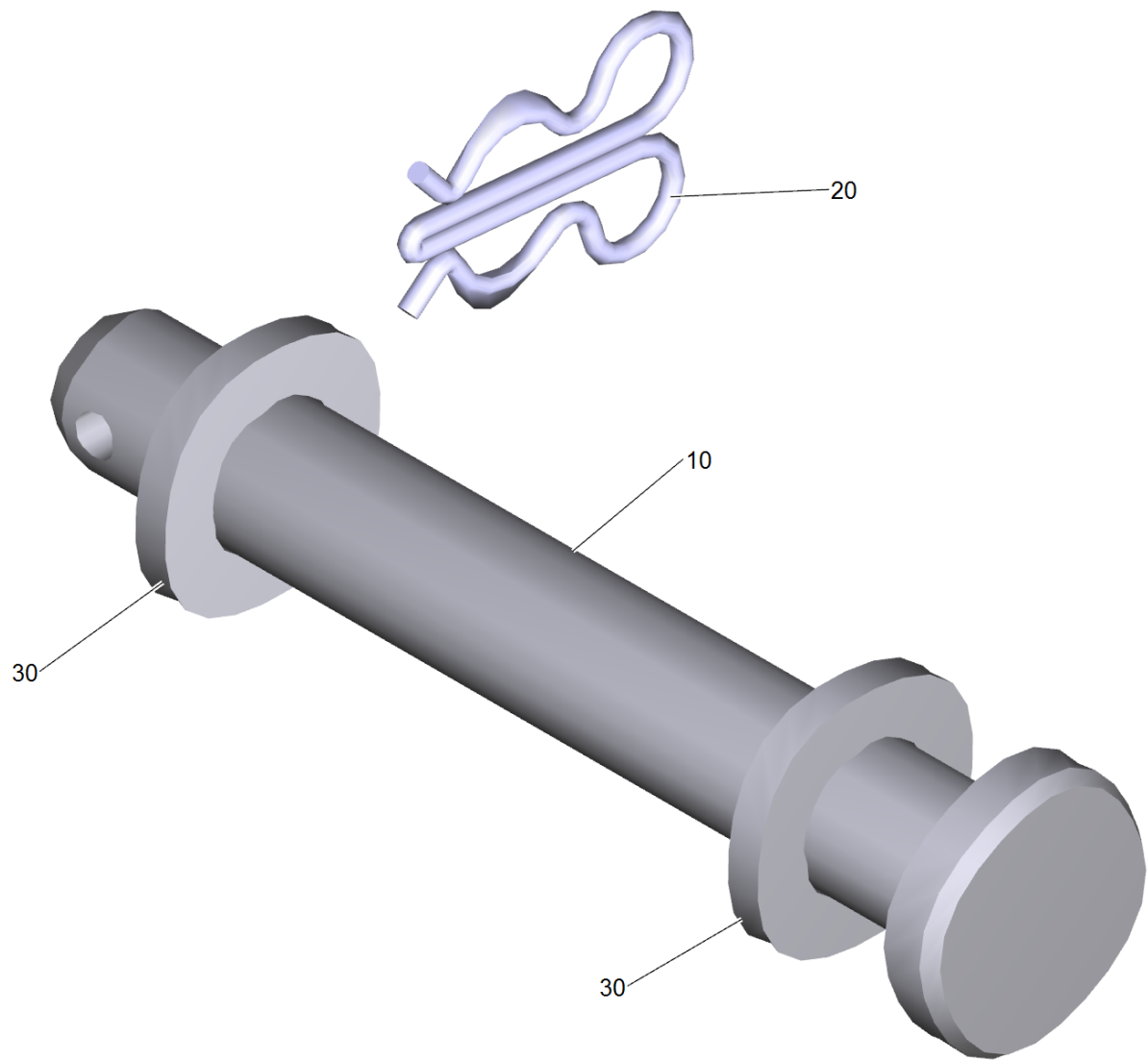
10 Screen filling system (4.035-370.7)

POS	Article no.	Description	Quantity	Unit
20	5.035-418.0	Seal fixing plate	1	PC
30	7.303-107.0	Screw 5x16 -10.9-P2R (K-In6Rd)	4	PC



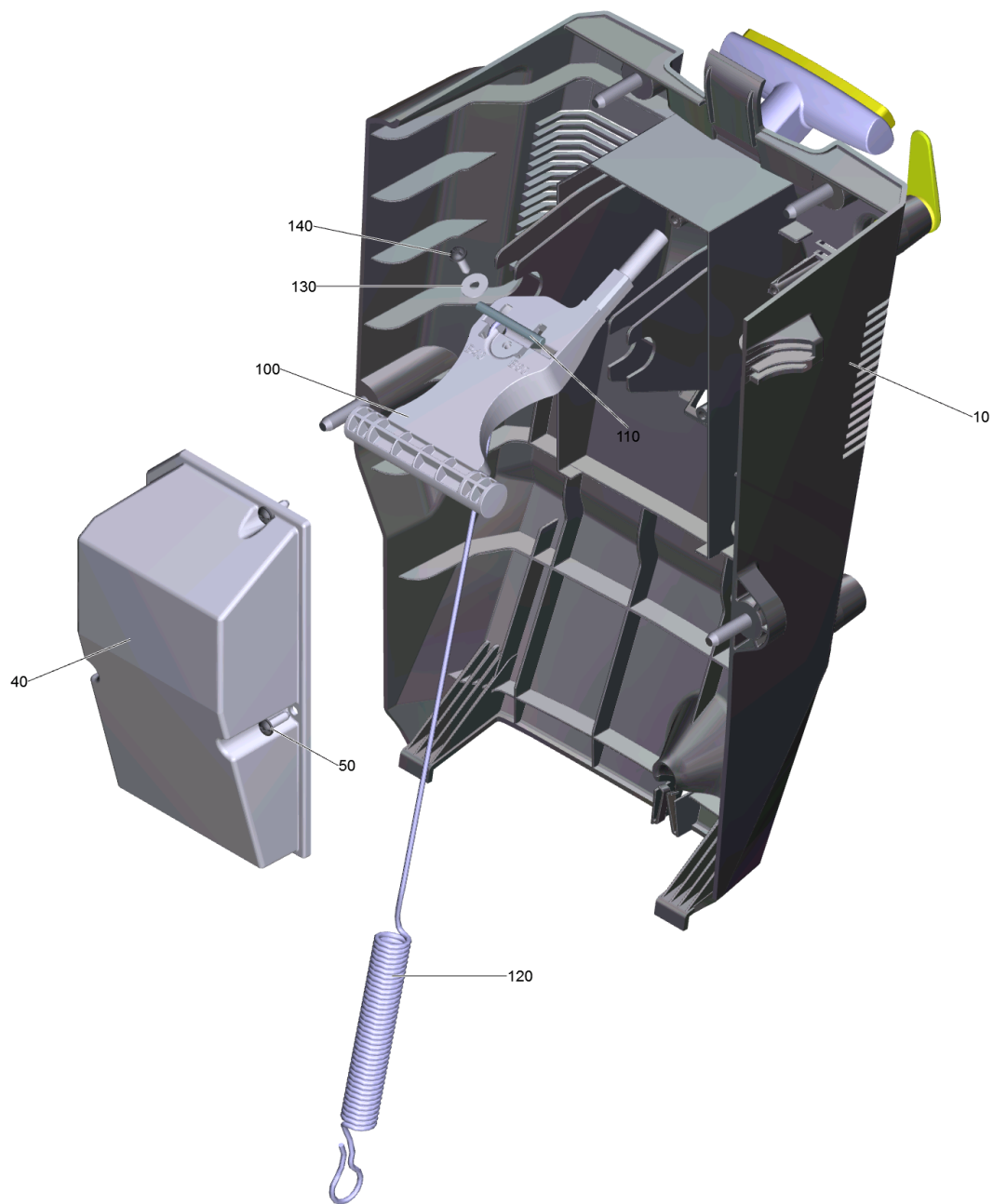
50 Suspension brush-head complete

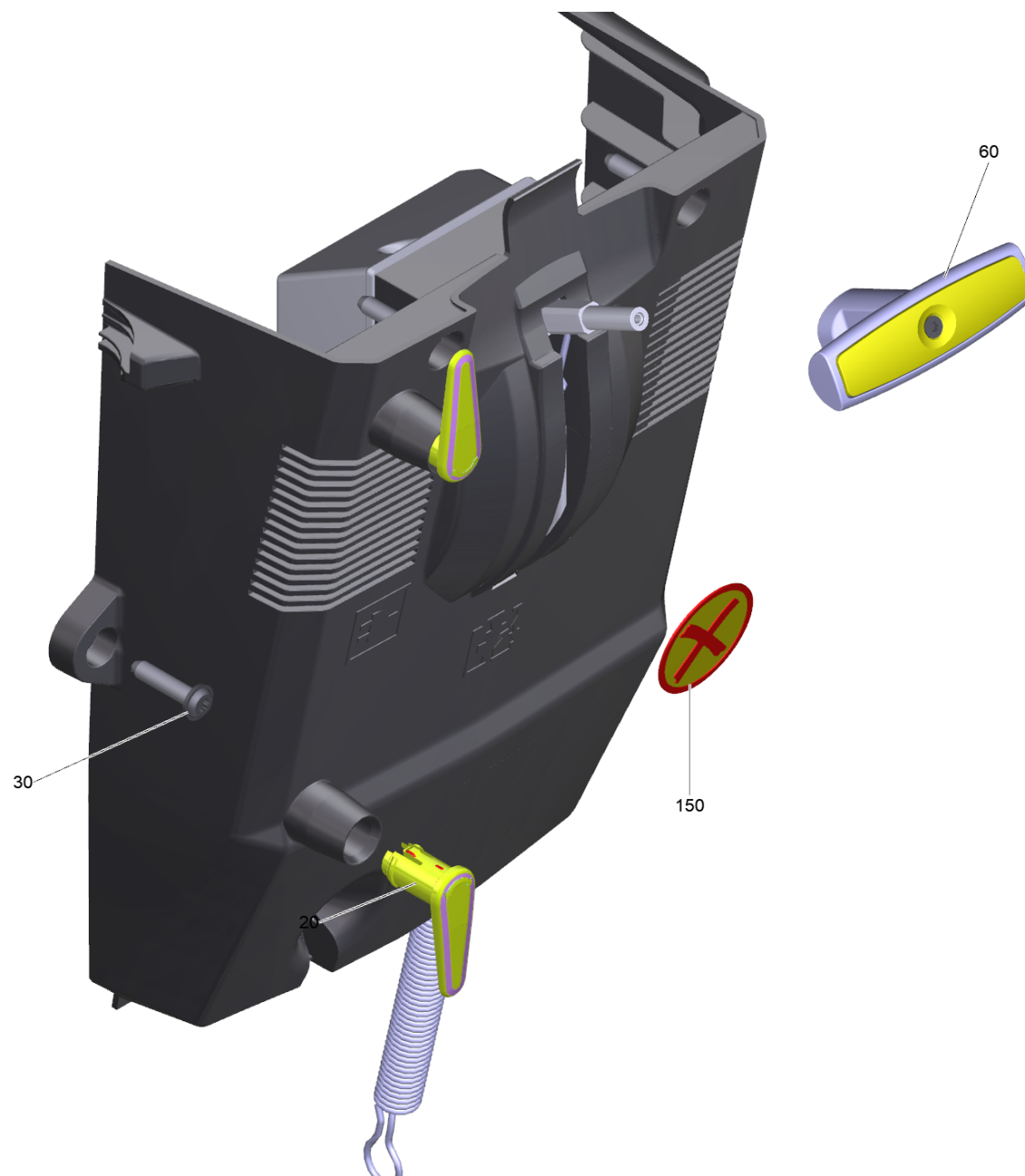
POS	Article no.	Description	Quantity	Unit	Foot note text
10	5.035-675.0	Suspension brush-head triple	1	PC	
20	5.035-377.0	Adjusting element brush-head	1	PC	
30	4.035-584.0	Bolt complete	1	PC	VERSION 2
30	5.035-865.0	Handhold bolt brush-head	1	PC	VERSION 1
50	7.304-262.0	Hexagonal head screw M8x60-A4-70 ISO 40	1	PC	
60	7.311-068.0	Hexagon nut M 8-A2-70 ISO 4032	2	PC	
70	7.312-004.0	Washer 8 -200HV-A3E ISO 7089	2	PC	
80	5.035-370.0	Lever plate brush-head	1	PC	
90	7.312-005.0	Washer 10-200HV-A3E ISO 7089	2	PC	
100	7.304-417.0	Hexagonal head screw M10x30-8.8-A3E ISO	2	PC	
110	7.306-041.0	Cylinder head screw M8x20 -8.8-A2E ISO	1	PC	
120	5.035-374.0	Pedal brush-head	1	PC	
130	7.311-432.0	Hexagon nut M 8-1.4305 DIN 985	1	PC	



30 Bolt complete (4.035-584.0)

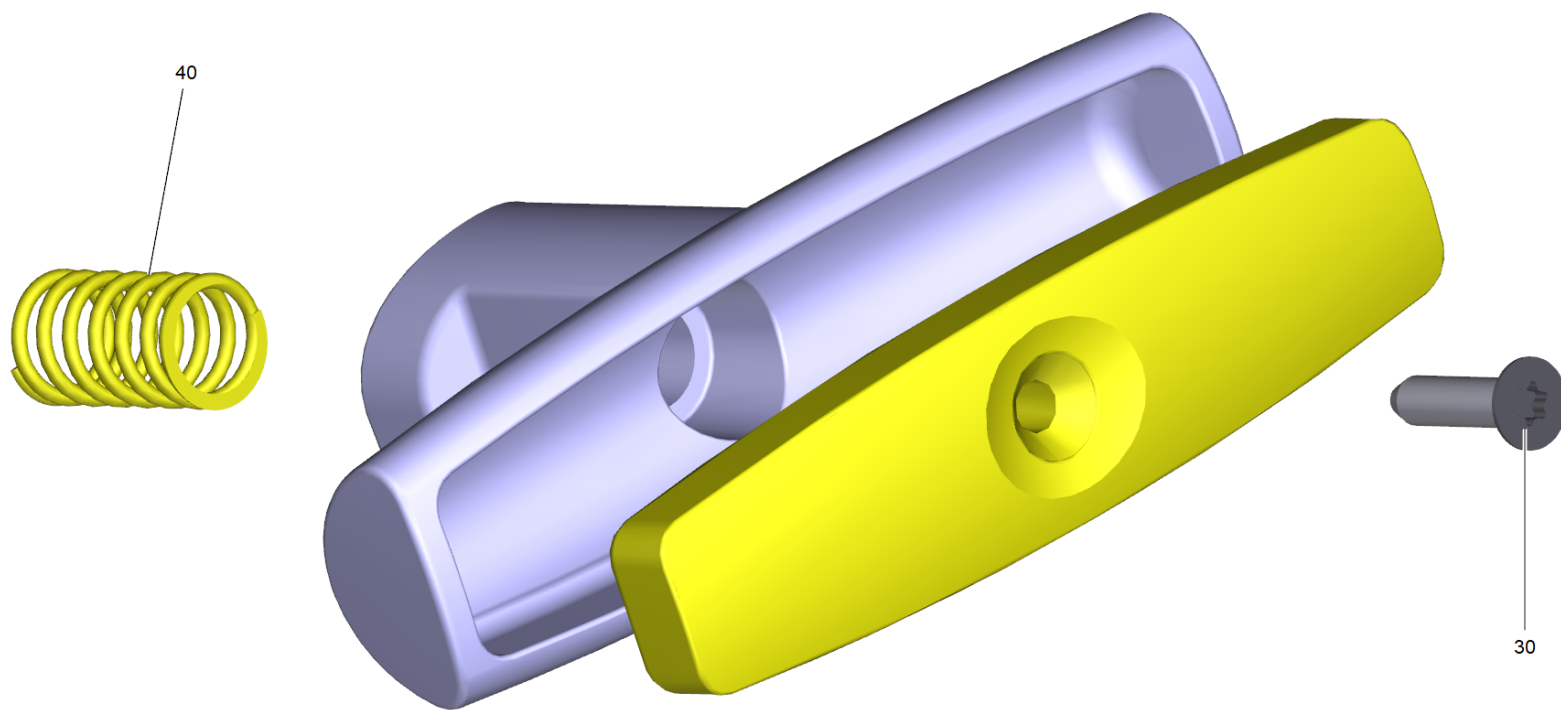
POS	Article no.	Description	Quantity	Unit
10	7.316-045.0	Bolt B 10x75 -St-A2E ISO 2341	1	PC
20	6.035-047.0	Spring clip double	1	PC
30	7.312-153.0	Washer 10 -160HV-A3E EN28738	2	PC





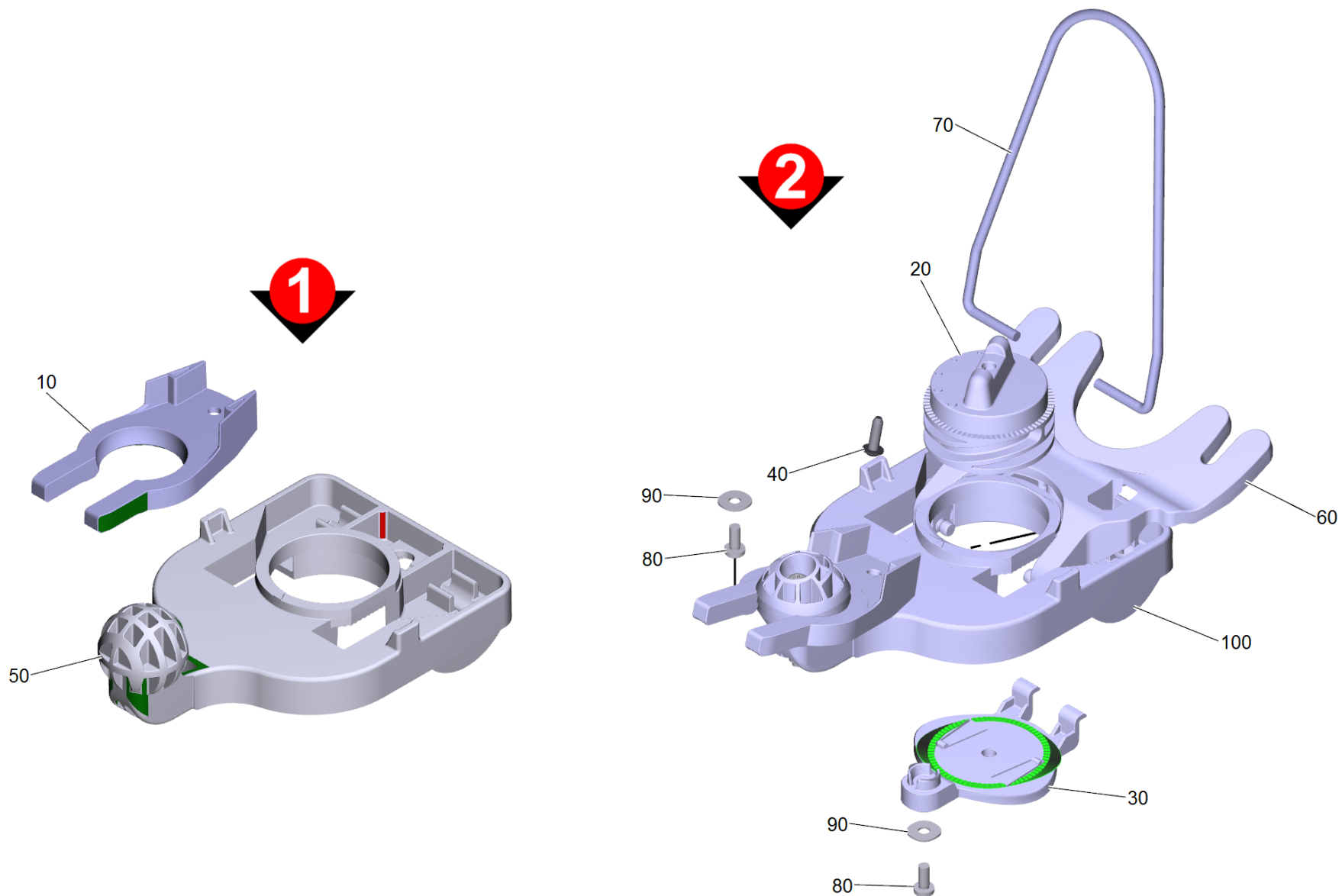
80 Covering cap rear complete

POS	Article no.	Description	Quantity	Unit
10	5.035-366.0	Covering cap	1	PC
20	5.044-661.0	Catch for cable yellow	2	PC
30	6.303-315.0	Screw 8 x 35	4	PC
40	5.035-446.0	Cover covering cap rear	1	PC
50	7.303-107.0	Screw 5x16 -10.9-P2R (K-In6Rd)	3	PC
60	4.035-612.0	Set handhold adjustment	1	PC
100	5.035-445.0	Lever suction bar	1	PC
110	5.035-453.0	Axle lever suction bar	1	PC
120	5.035-423.0	Extension spring	1	PC
130	7.312-282.0	Washer 5 -A2 ISO 7093-1	1	PC
140	7.303-107.0	Screw 5x16 -10.9-P2R (K-In6Rd)	1	PC
150	5.380-889.0	Warning sign BR-BD 750	1	PC



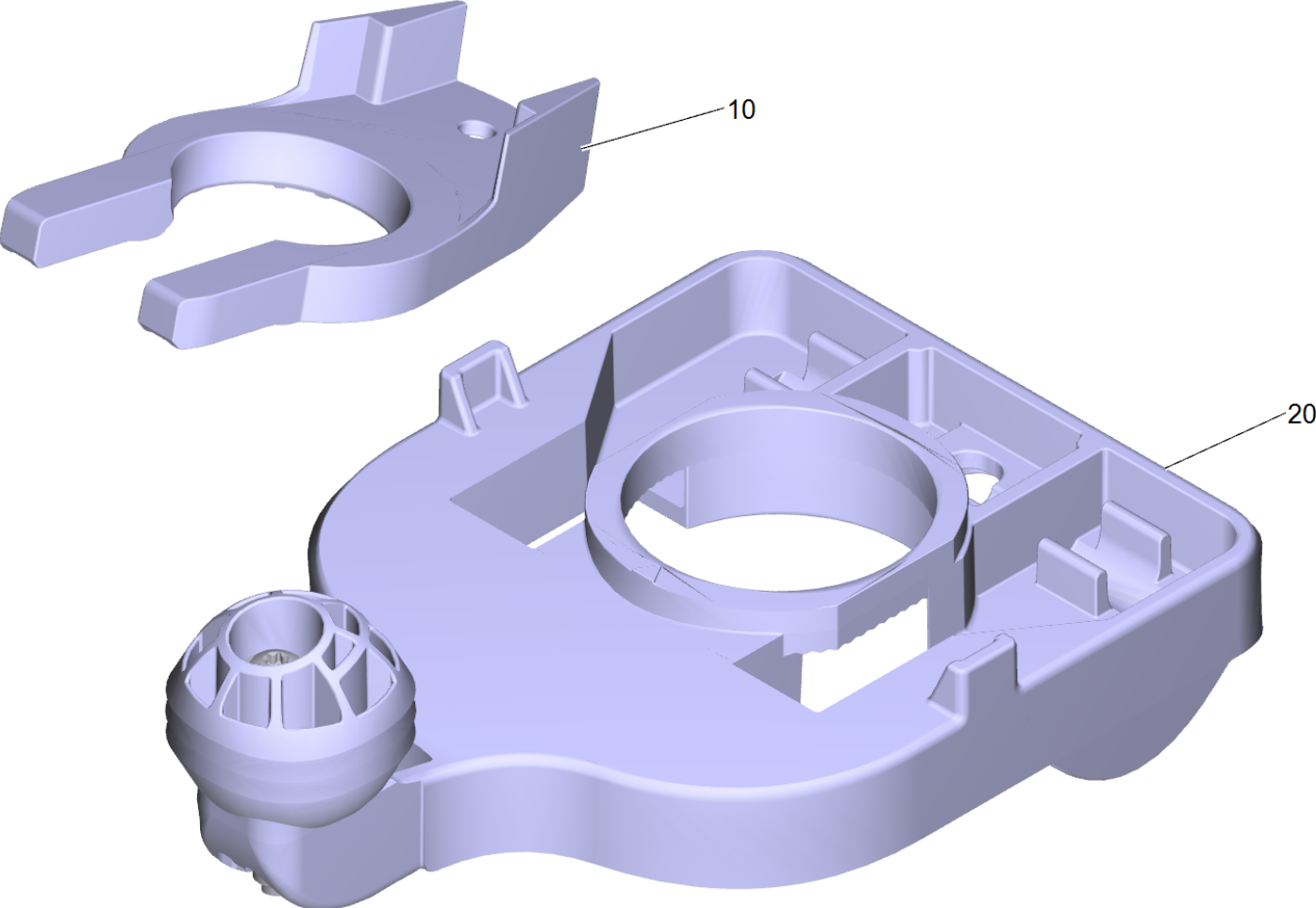
60 Set handhold adjustment (4.035-612.0)

POS	Article no.	Description	Quantity	Unit
30	7.303-128.0	Countersunk screw 5x20 -10.9-R2R (In6Rd)	1	PC
40	5.332-481.0	Helical spring	1	PC



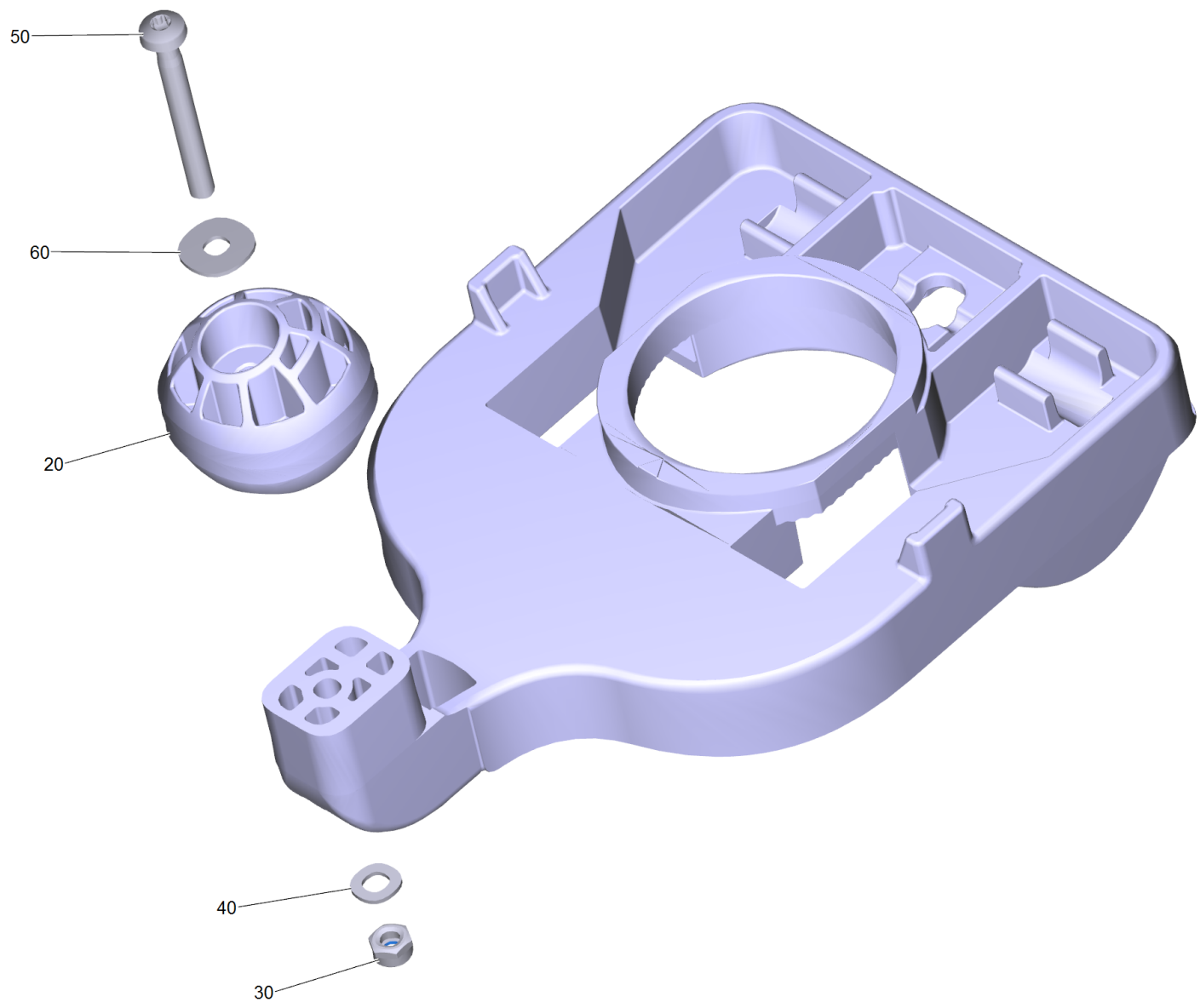
90 Suction bar lifting complete

POS	Article no.	Description	Quantity	Unit	Foot note text
10	7.777-999.0	Stockpiling discontinued	1	PC	VERSION 1
20	5.035-292.0	Adjusting knob suction bar tothing	1	PC	
30	5.035-293.0	Covering cap suction bar tothing	1	PC	
40	7.303-109.0	Screw 5x25 -10.9-R2R (In6Rd)	1	PC	
50	7.777-999.0	Stockpiling discontinued	1	PC	VERSION 1
60	5.036-103.0	Rocker suction bar	1	PC	
70	5.035-382.0	Retaining bracket suction bar	1	PC	
80	6.306-003.0	Screw M5X12-A2/70-ISO 14583 (IN6RD)	2	PC	with microencapsulation
90	7.312-282.0	Washer 5 -A2 ISO 7093-1	2	PC	
100	4.035-583.0	Holder suction bar complete	1	PC	VERSION 2



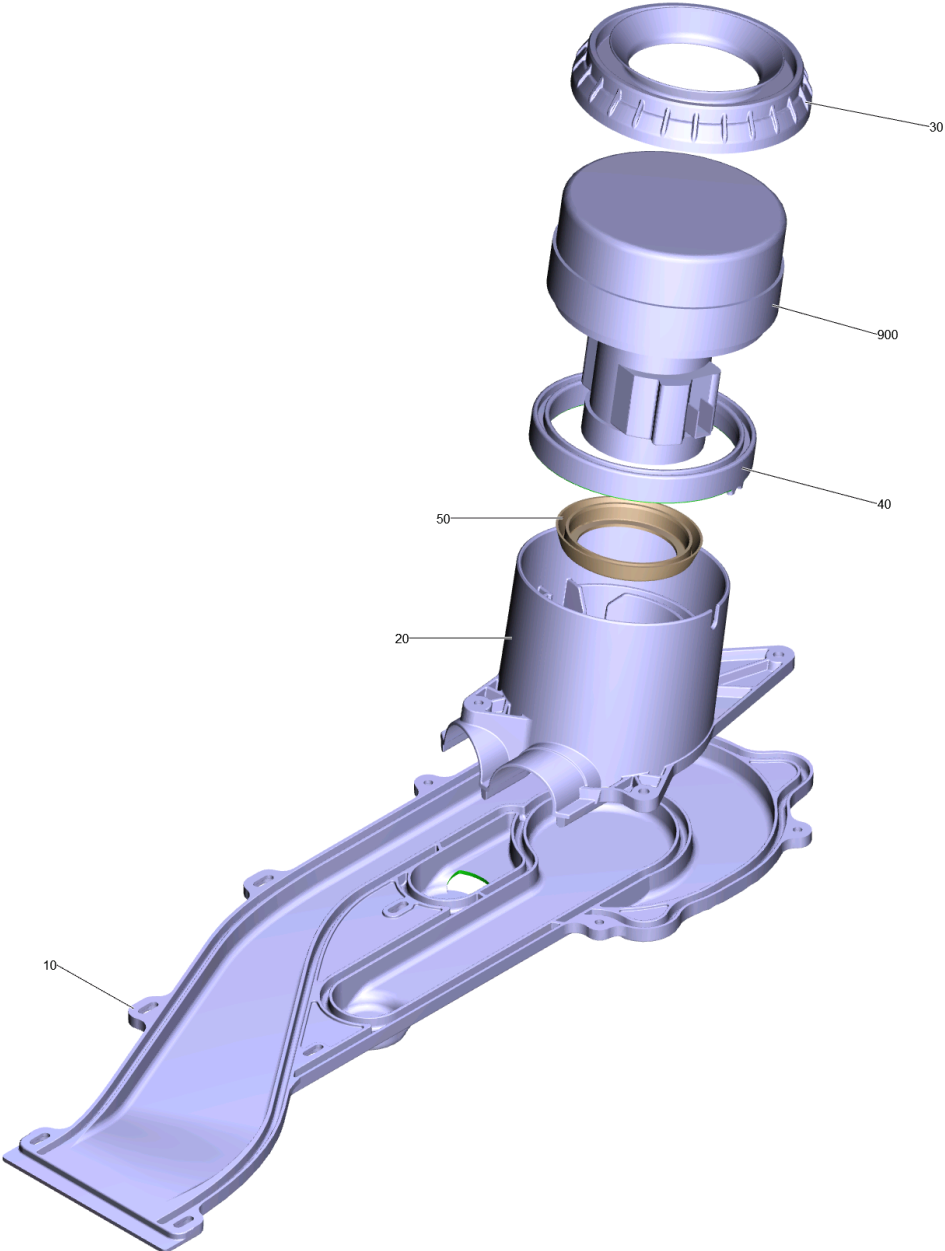
100 Holder suction bar complete (4.035-583.0)

POS	Article no.	Description	Quantity	Unit
10	5.005-005.0	FIXING PLATE SUCTION BAR ALU	1	PC
20	4.037-137.3	Holder suction bar	1	PC



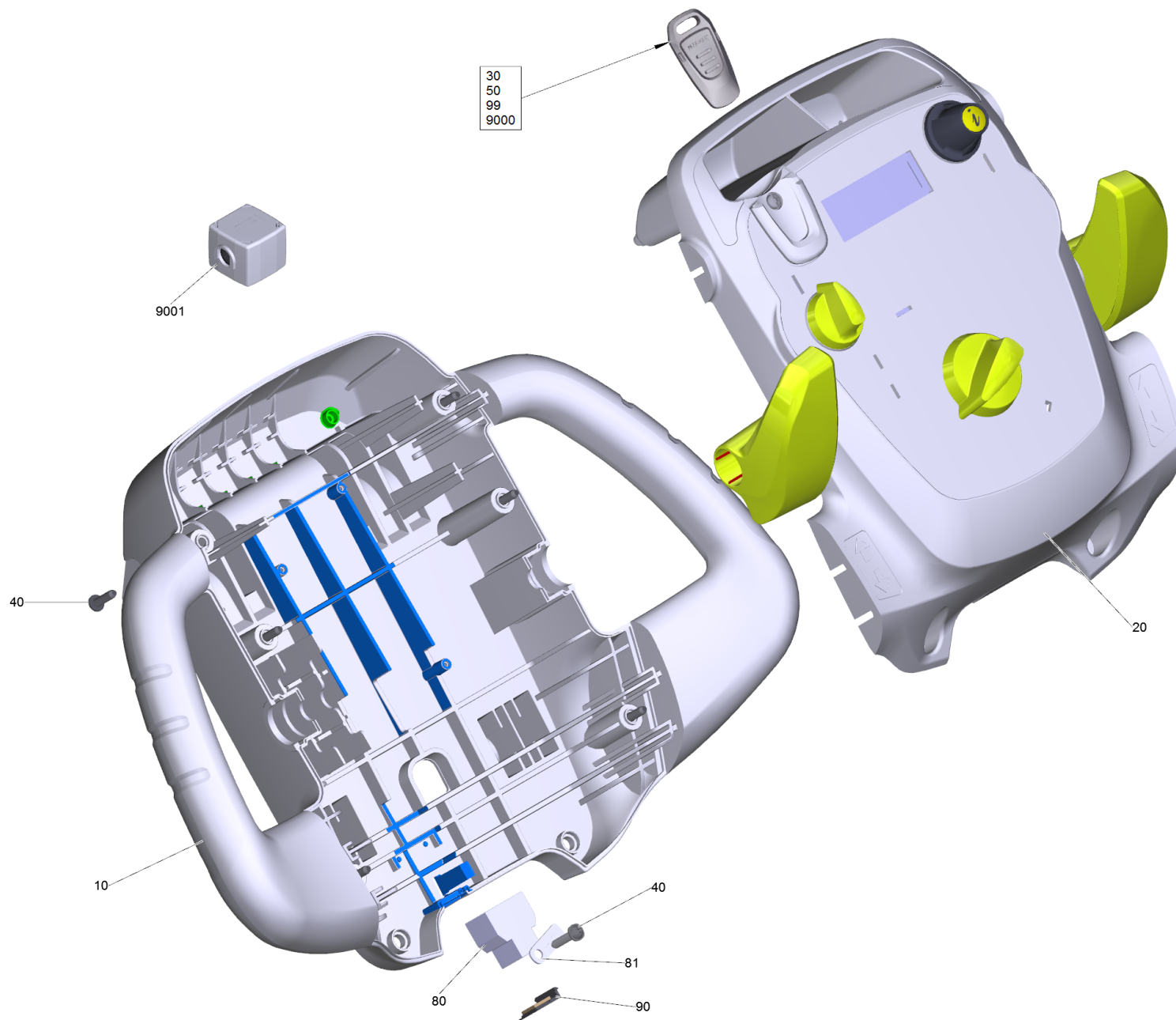
20 Holder suction bar (4.037-137.3)

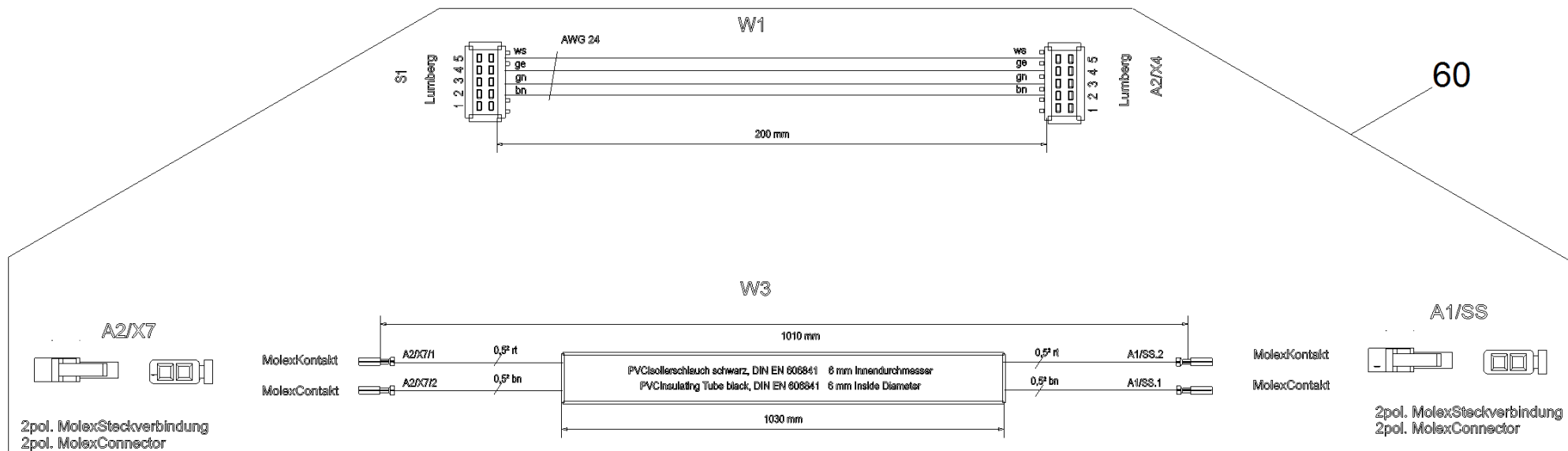
POS	Article no.	Description	Quantity	Unit
20	5.037-579.0	Sphere suction bar suspension	1	PC
30	7.311-431.0	Hexagon nut M 5-1.4305 DIN 985	1	PC
40	7.312-052.0	Washer 5 -A2 ISO 7089	1	PC
50	7.306-215.0	Screw M5x45 -8.8-P2R (In6Rd)	1	PC
60	7.312-282.0	Washer 5 -A2 ISO 7093-1	1	PC



100 Vacuum motor enclosure

POS	Article no.	Description	Quantity	Unit
10	5.034-034.0	Air circulation turbine above foamed	1	PC
20	5.034-032.0	Air circulation turbine bottom	1	PC
30	5.035-333.0	Bearing vacuum motor	1	PC
40	5.035-332.0	Joint ring turbine	1	PC
50	5.363-395.0	Seal	1	PC
900	4.035-580.0	Vacuum motor replacement	1	PC
910	4.034-009.0	Air circulation turbine replacement	1	PC



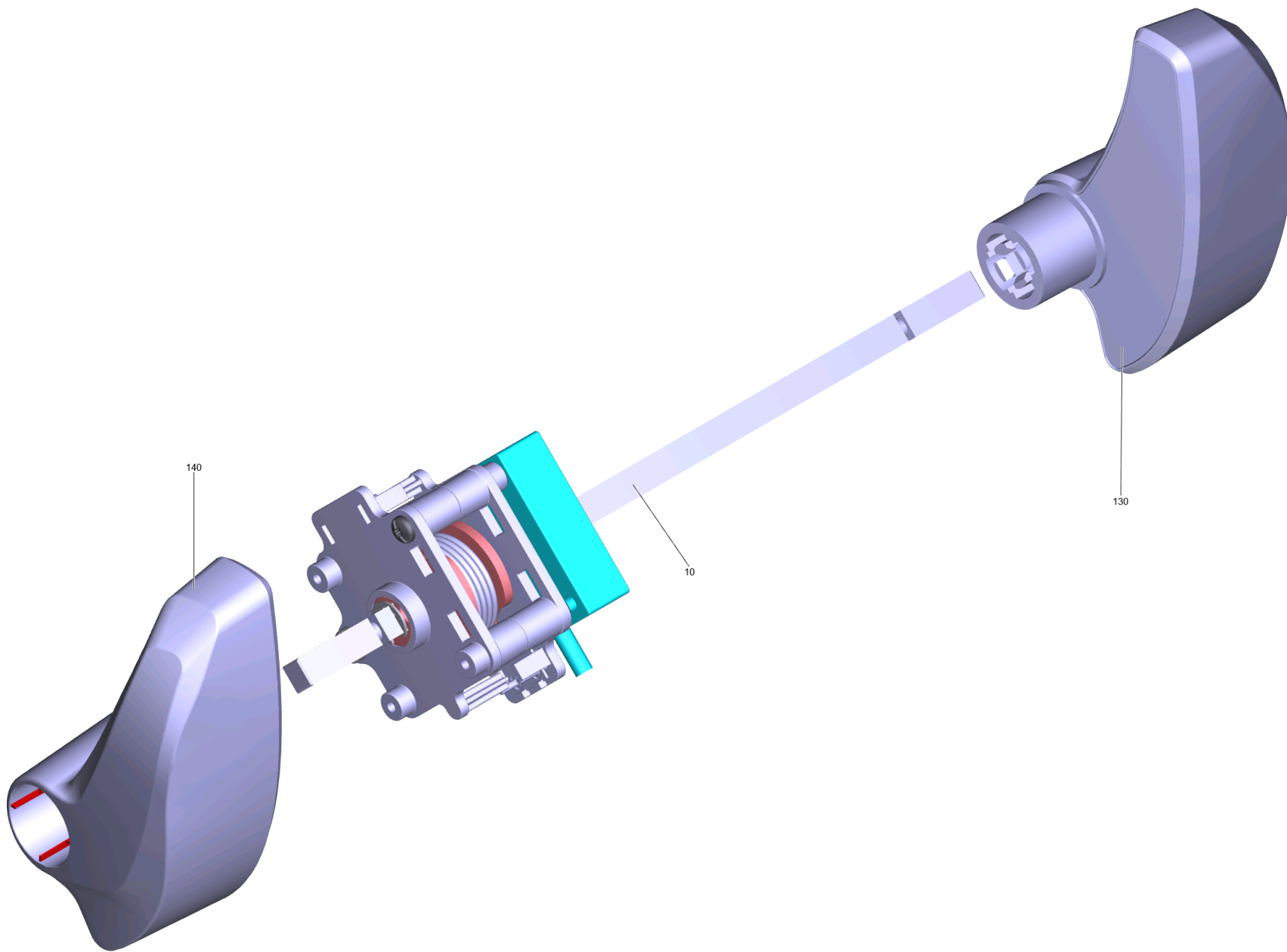


20 Control panel complete BAT W

POS	Article no.	Description	Quantity	Unit	Foot note text
10	4.035-131.0	Housing control panel replacement Bp W	1	PC	WITHOUT SLOT FOR 5.033-829.0
10	5.035-219.0	Housing bottom part control panel	1	PC	WITH SLOT FOR 5.033-829.0
20		Covering cap control panel complete BAT	1	PC	
30	5.035-344.0	Key yellow KIK	1	PC	
40	7.303-108.0	Screw 5x20 -10.9-R2R (In6Rd)	7	PC	
50	5.035-348.0	Key grey KIK	1	PC	
60	4.035-431.0	Cable harness control panel replacement	1	PC	
80	6.330-111.0	Adapter RJ45 Y-Splitter	1	PC	
81	5.035-196.0	Plate stiffener	1	PC	VERSION 2
90	5.033-829.0	Rubber stopper control panel	1	PC	
99	5.035-337.0	Key red KIK	1	PC	
9000	4.035-064.0	Set key white KIK	1	PC	SET WITH 5 PIECES
9000	4.035-076.0	Key white KIK	1	PC	
9001	6.574-216.0	Ferrite core	1	PC	

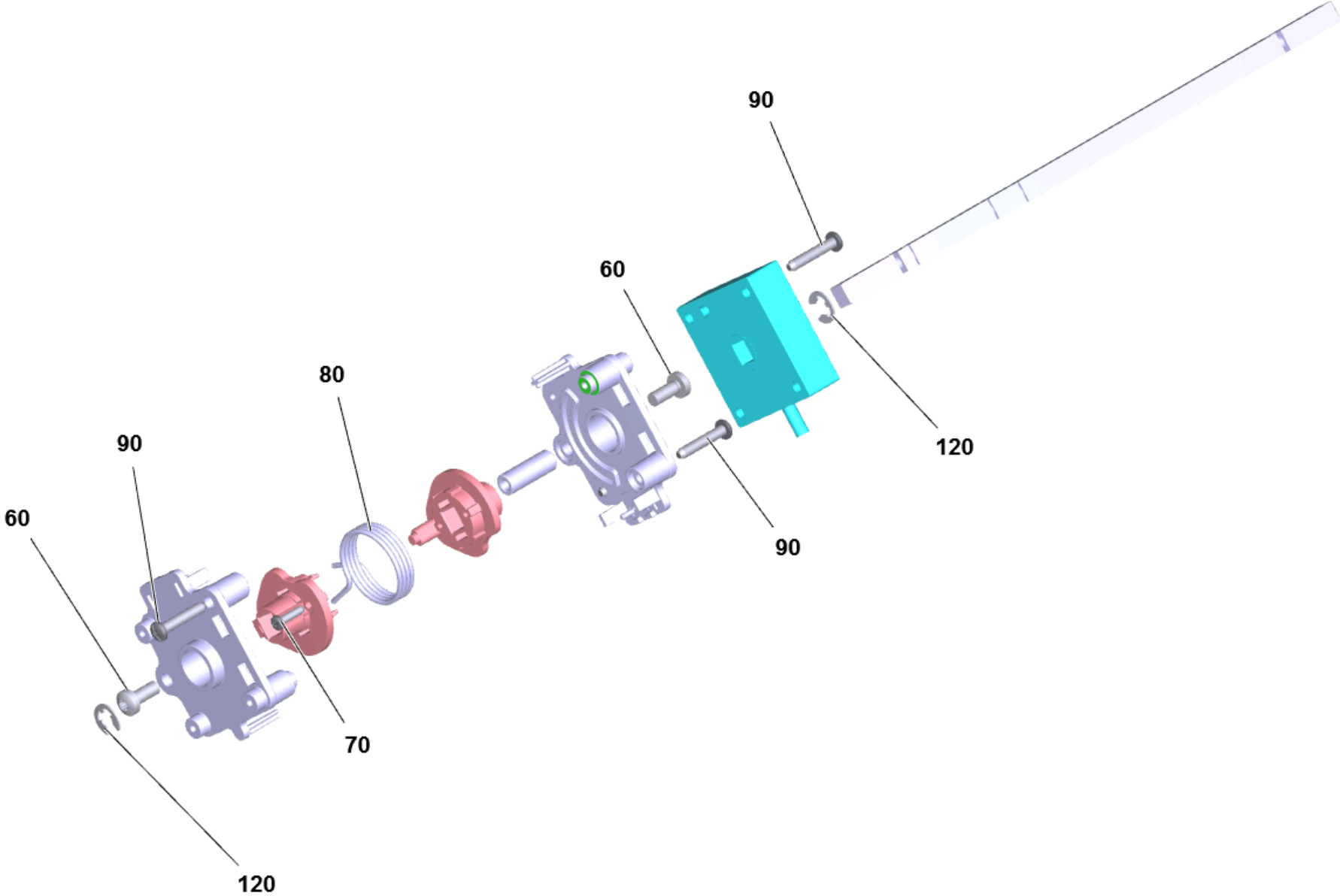
20 Covering cap control panel complete BAT

POS	Article no.	Description	Quantity	Unit	Foot note text
10	4.035-118.0	Covering cap control panel replacement B	1	PC	WITH SLOT FOR 5.033-829.0
10	4.035-413.0	Covering cap control panel foil Bp W	1	PC	WITHOUT SLOT FOR 5.033-829.0
20	4.035-000.0	Tachograph complete	1	PC	
30	4.683-311.3	Circuit board replacement W	1	PC	
40	4.035-608.0	Handhold operational concept complete	1	PC	
50	5.321-750.0	Handhold info panel	1	PC	
60	7.303-274.0	Screw 5x12 -A2-70 (In6Rd)	1	PC	
65	7.312-052.0	Washer 5 -A2 ISO 7089	1	PC	
70	5.035-343.0	Guide key	1	PC	
100	4.035-415.0	Switch program selection replacement	1	PC	
105	7.305-036.0	Countersunk screw M4x12 -A2-70-s (IN6RD	2	PC	
130	5.035-437.0	Rotary controller	1	PC	
150	6.649-933.0	Cable Patch	1	PC	
170	6.388-958.0	Hose	1	m	TO ORDER AS CUT GOODS



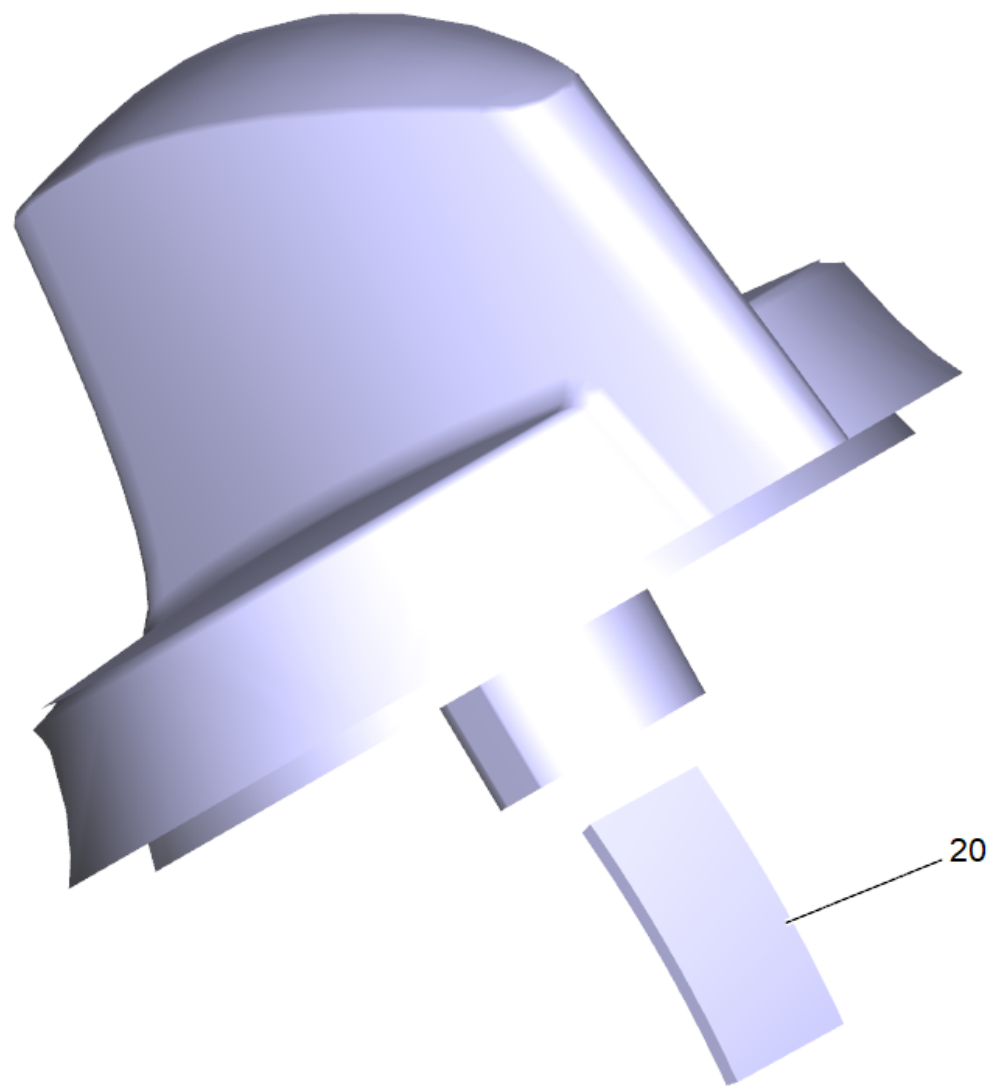
20 Tachograph complete (4.035-000.0)

POS	Article no.	Description	Quantity	Unit
10	4.035-002.0	Tachograph set	1	PC
130	4.035-495.0	Tachograph right complete	1	PC
140	4.035-496.0	Tachograph left complete	1	PC



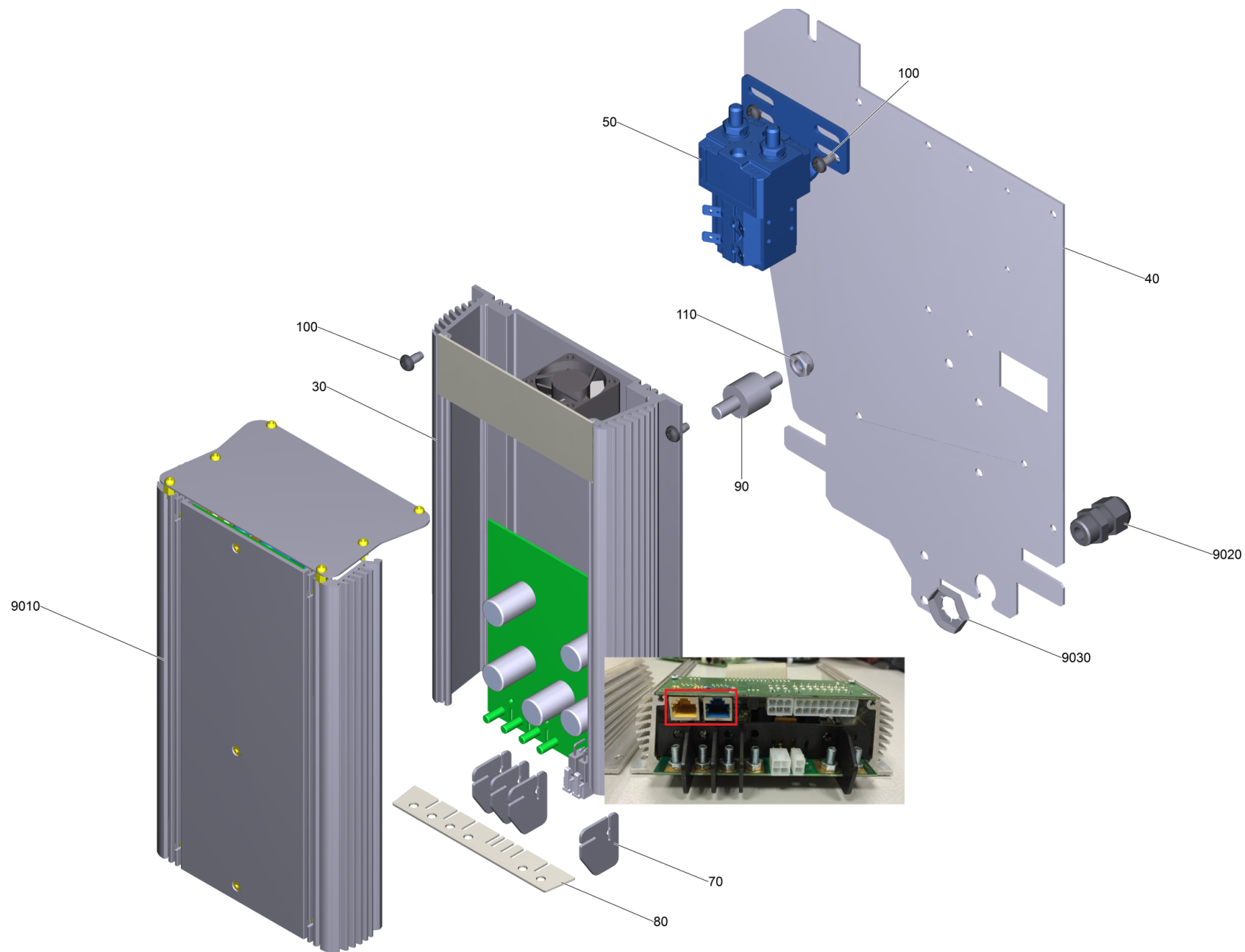
10 Tachograph set (4.035-002.0)

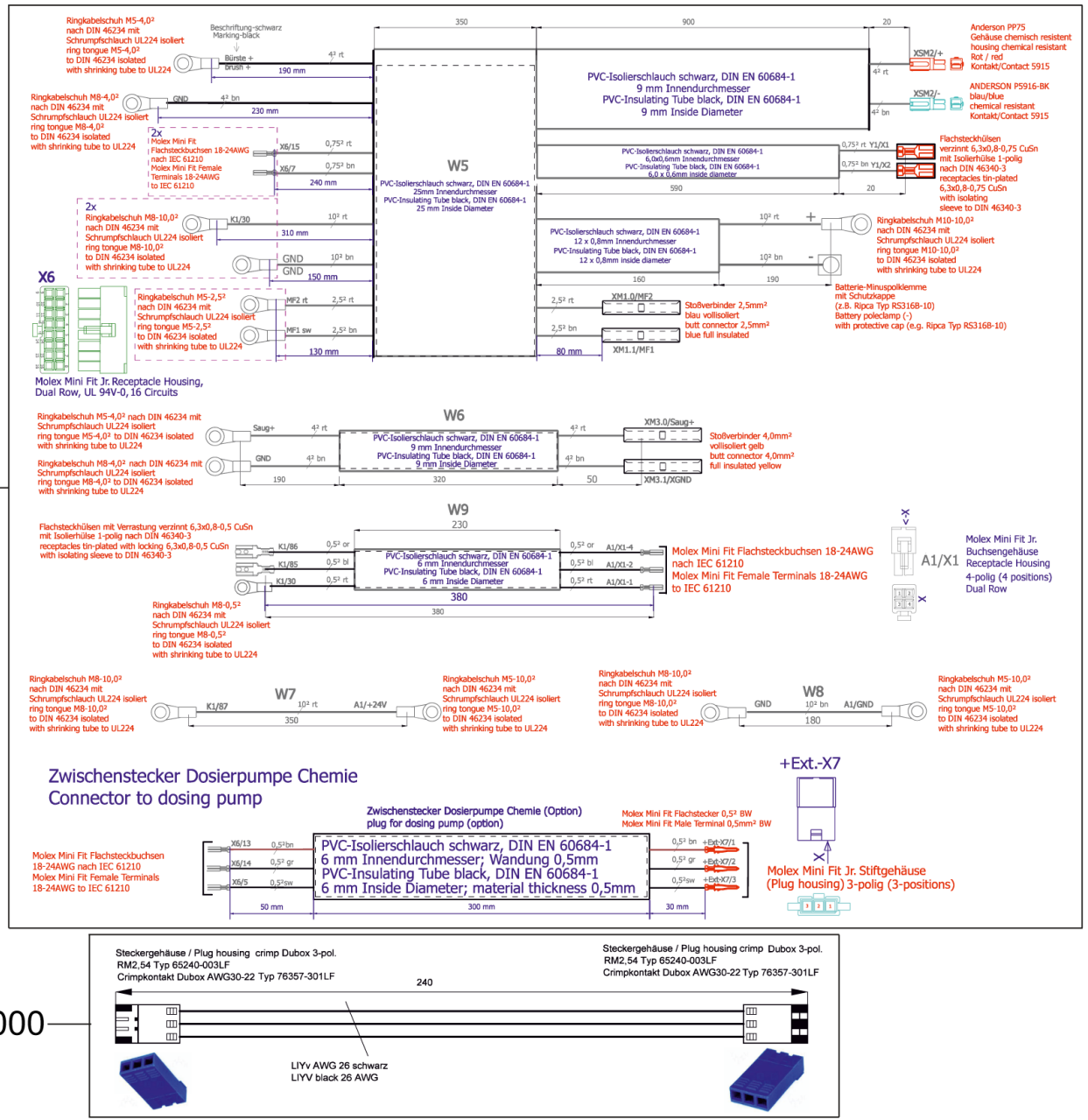
POS	Article no.	Description	Quantity	Unit
60	7.306-394.0	Screw M5x12 -8.8-ZNBHL ISO 14583	2	PC
70	6.303-557.0	Screw 3x12 Kombitorx T8	2	PC
80	6.330-441.0	Torsion spring tachograph	1	PC
90	7.303-096.0	Screw 4x22-ST-10.9-R2R (IN6RD)	4	PC
120	7.343-201.0	Lock washer 6-FST-PHR DIN 6799	2	PC



40 Handhold operational concept complete (4.035-608.0)

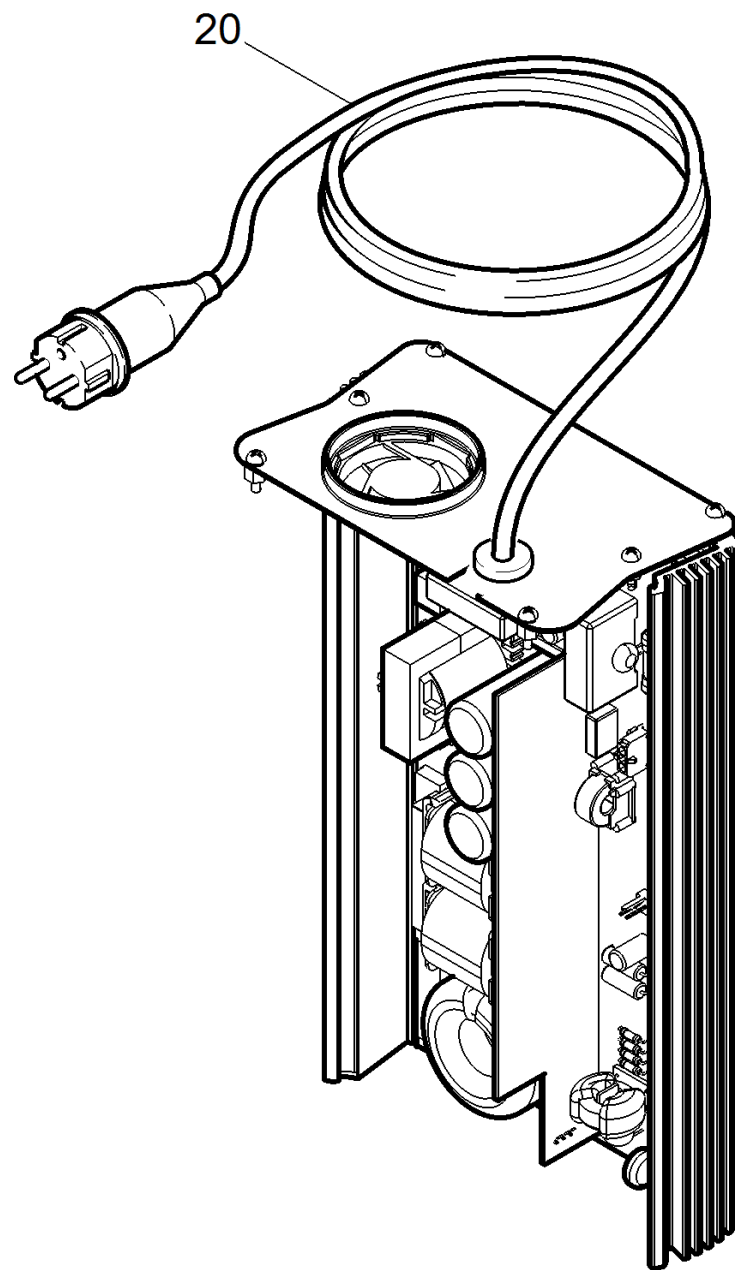
POS	Article no.	Description	Quantity	Unit
20	6.313-014.0	Spring element	1	PC





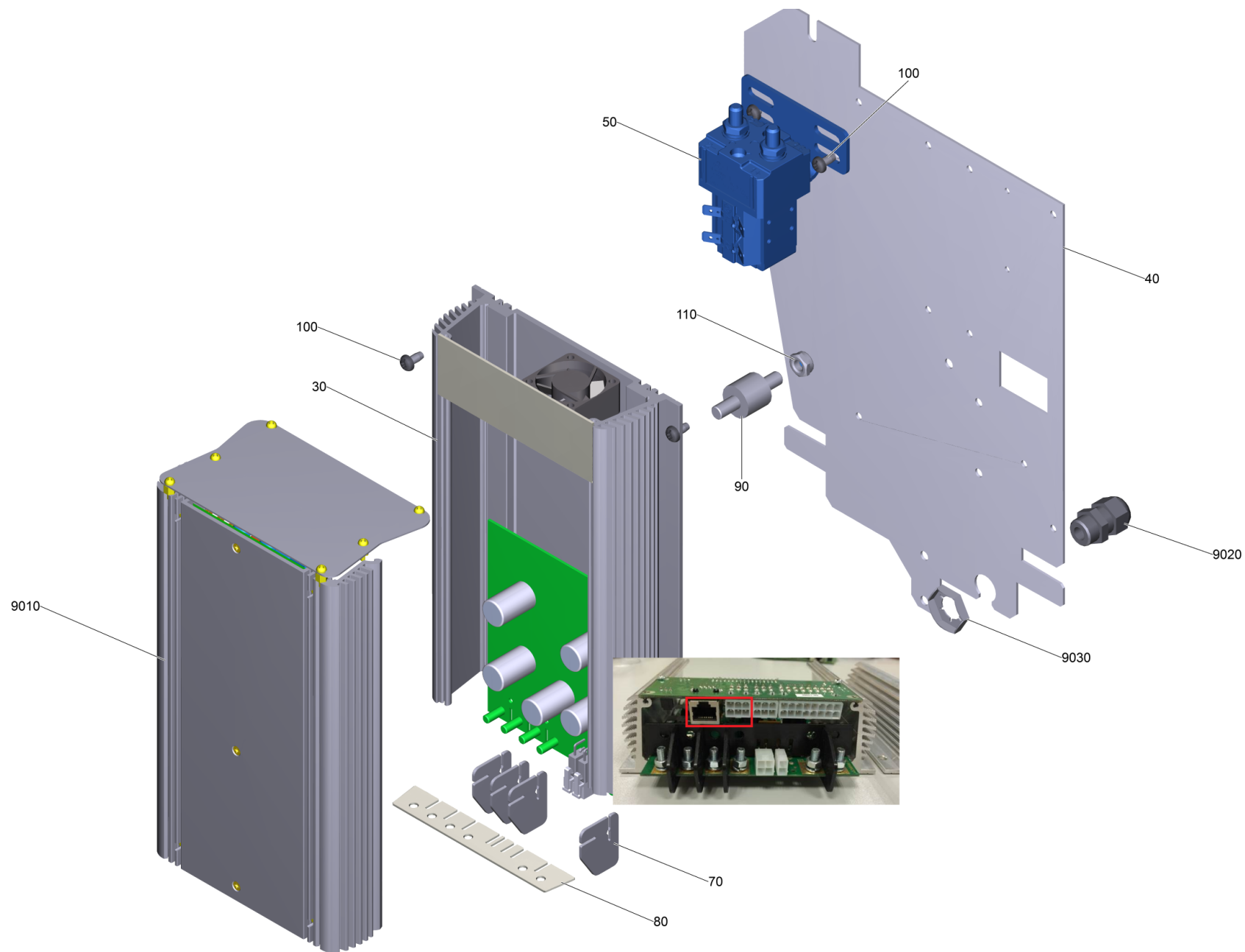
40 Electric equipment B40 W Bp Dose CAN

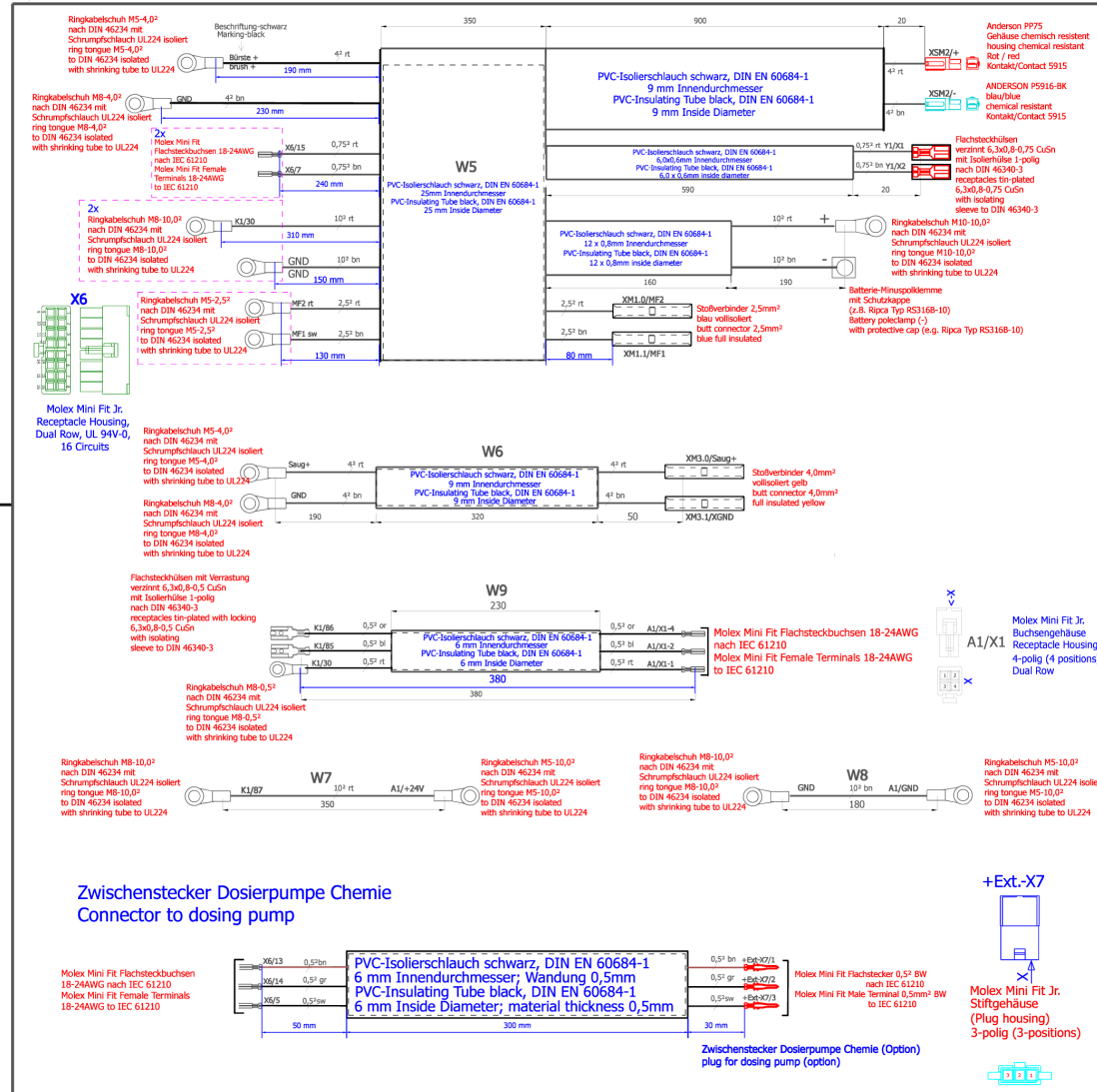
POS	Article no.	Description	Quantity	Unit
10	4.822-900.0	Cable harness B40 W	1	PC
30	4.683-075.0	Electronics control system replacement B	1	PC
40	5.035-449.0	Plate base plate electronics	1	PC
50	4.633-110.0	Relay replacement set	1	PC
70	5.035-359.0	Moulded part plate electronics klein	4	PC
80	5.035-362.0	Moulded part plate electronics	1	PC
90	6.652-033.0	Isolator	1	PC
100	7.303-037.0	Screw M5x10 -St-P2R (In6Rd)	6	PC
110	7.311-427.0	Hexagon nut M8 -04-A2E DIN 985	1	PC
9000	6.645-554.0	Connecting cable control system battery charger	1	PC
9010	6.683-119.0	Battery charger replacement B 40 *EU	1	PC
9020	6.648-399.0	Cable gland black M16x1,5	1	PC
9030	7.777-999.0	Stockpiling discontinued	1	PC



9010 Battery charger replacement B 40 *EU (6.683-119.0)

POS	Article no.	Description	Quantity	Unit	Remark
20	6.645-553.0	Cable with plug	1	PC	*EU
20	6.645-586.0	Cable with plug B40-USA	1	PC	*US



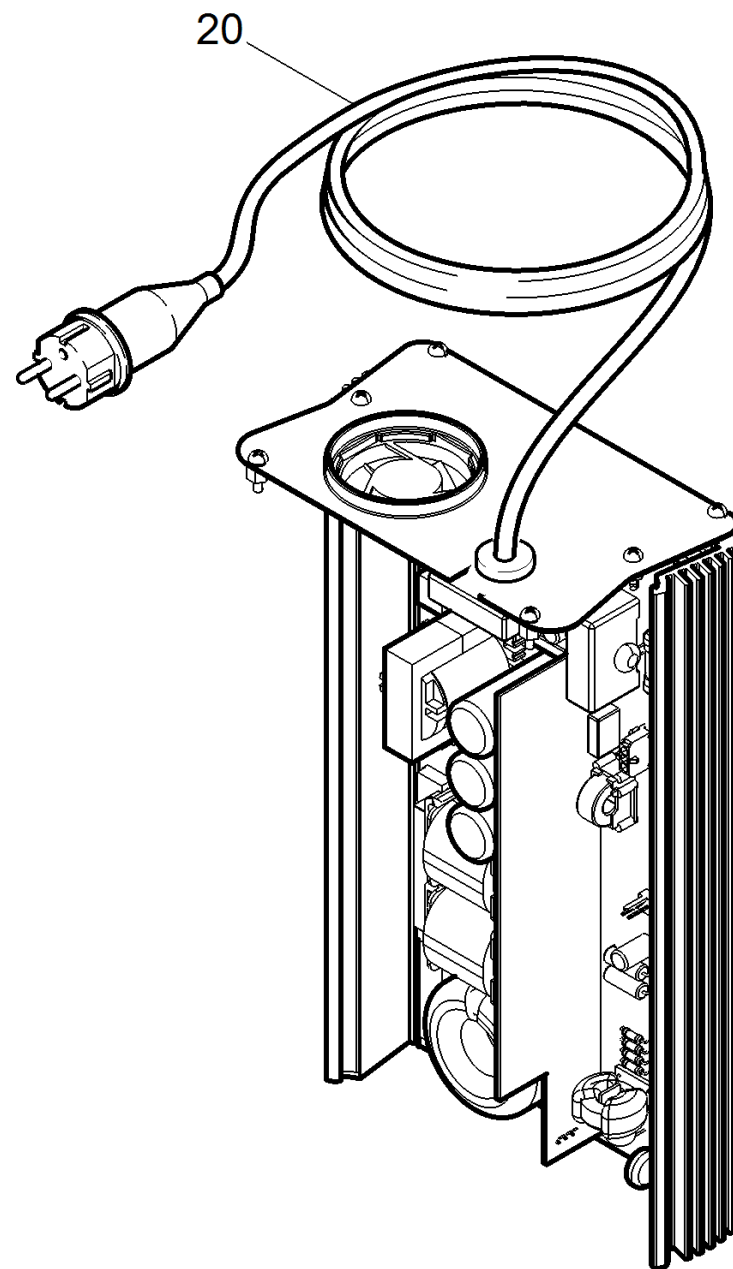


10

9000

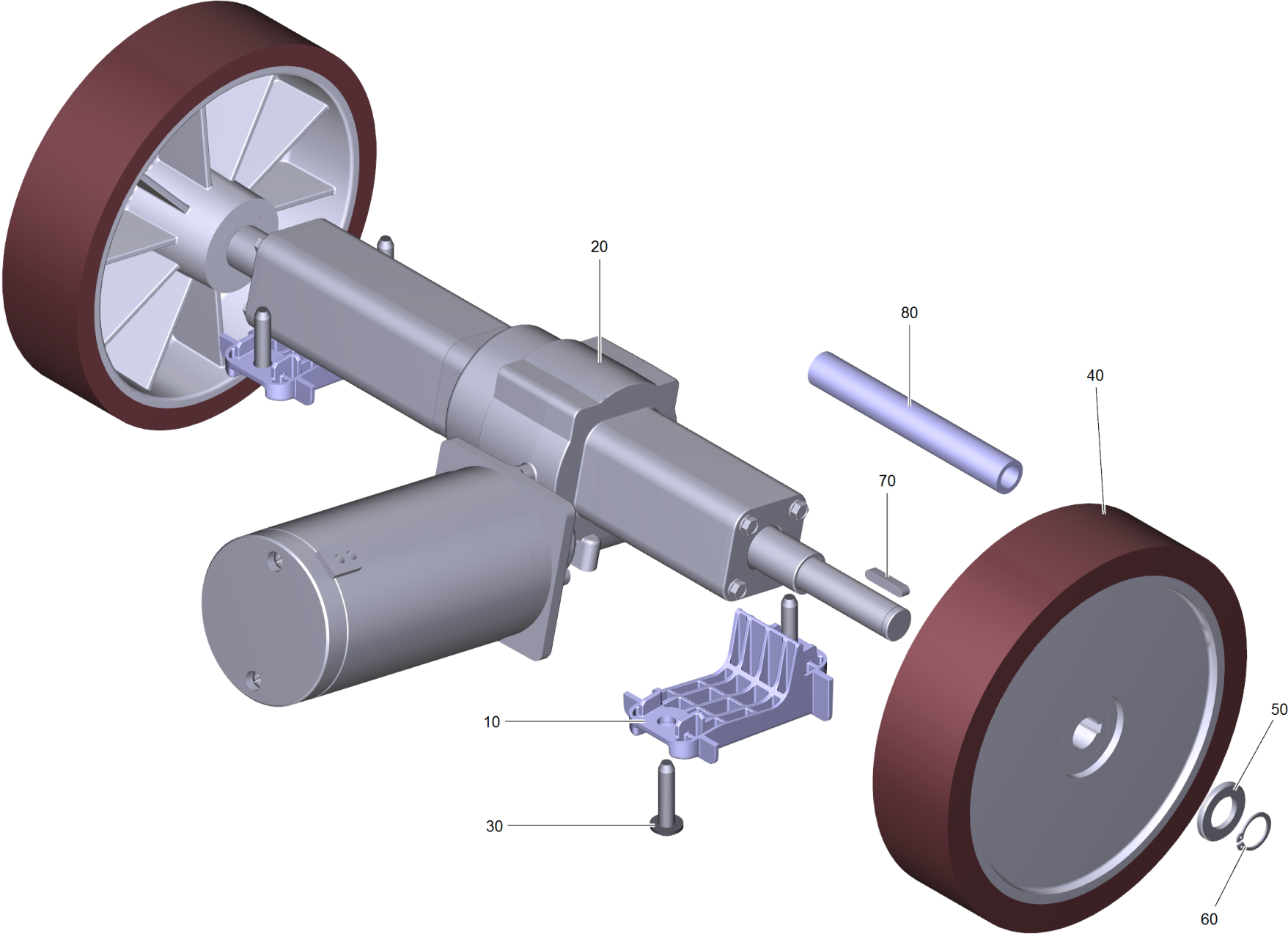
40 Electric equipment B40 W Bp Dose

POS	Article no.	Description	Quantity	Unit
10	4.822-900.0	Cable harness B40 W	1	PC
30	4.683-075.0	Electronics control system replacement B	1	PC
40	5.035-449.0	Plate base plate electronics	1	PC
50	6.633-389.0	Relay 24VDC / 100A	1	PC
70	5.035-359.0	Moulded part plate electronics klein	4	PC
80	5.035-362.0	Moulded part plate electronics	1	PC
90	6.652-033.0	Isolator	1	PC
100	7.303-037.0	Screw M5x10 -St-P2R (In6Rd)	6	PC
110	7.311-427.0	Hexagon nut M8 -04-A2E DIN 985	1	PC
120	6.648-399.0	Cable gland black M16x1,5	1	PC
130	7.777-999.0	Stockpiling discontinued	1	PC
9000	6.645-554.0	Connecting cable control system battery charger	1	PC
9010	6.654-337.0	Battery charger replacement B 40 Japan	1	PC
9010	6.683-119.0	Battery charger replacement B 40 *EU	1	PC
9020	6.648-399.0	Cable gland black M16x1,5	1	PC
9030	7.777-999.0	Stockpiling discontinued	1	PC



9010 Battery charger replacement B 40 *EU (6.683-119.0)

POS	Article no.	Description	Quantity	Unit	Remark
20	6.645-553.0	Cable with plug	1	PC	*EU
20	6.645-586.0	Cable with plug B40-USA	1	PC	*US

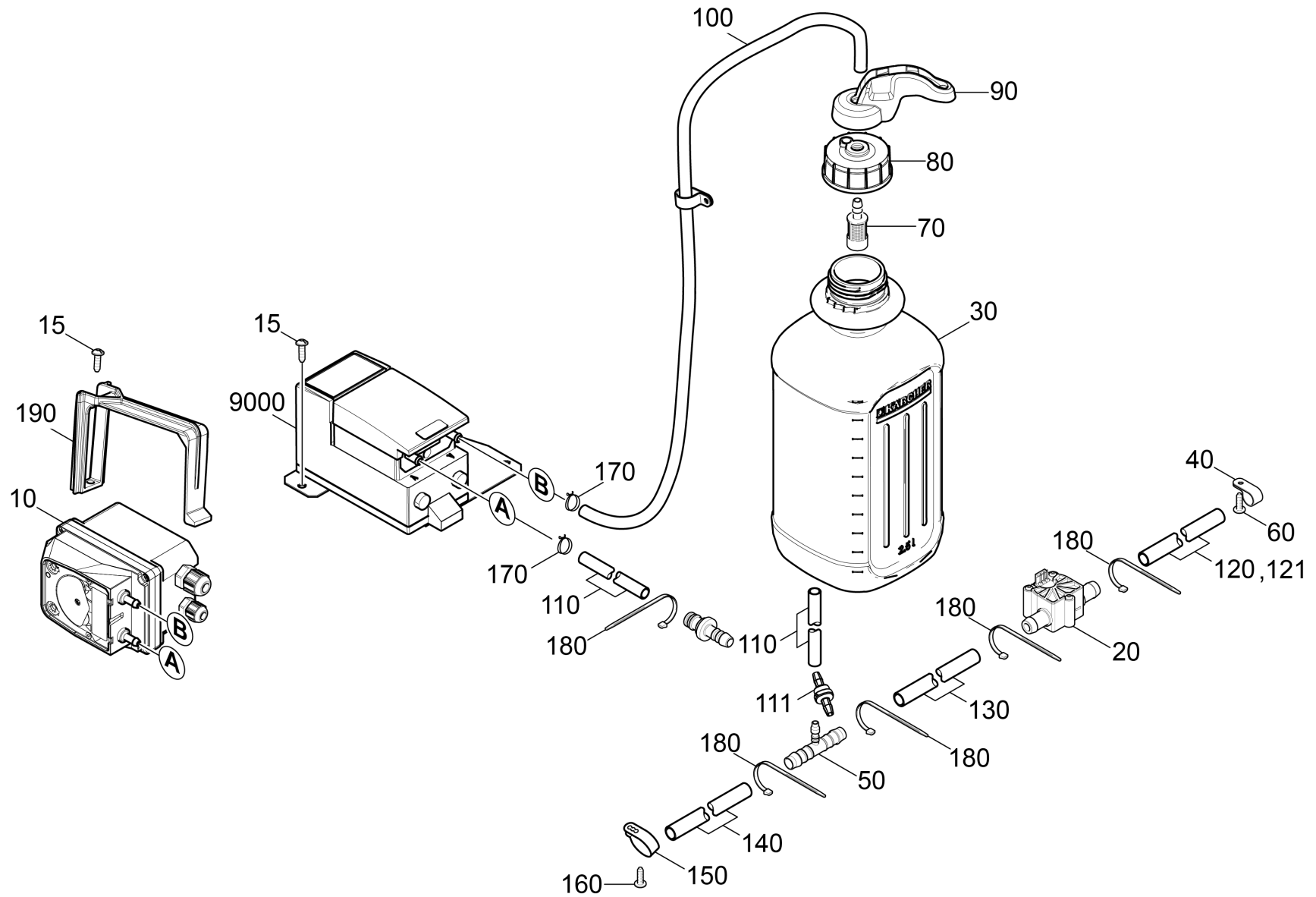


70 Gear complete B 40 W

POS	Article no.	Description	Quantity	Unit	Foot note text
10	5.035-351.0	Holder wheel drive motor	2	PC	
20	6.613-512.3	Wheel drive motor B40W	1	PC	
30	6.303-315.0	Screw 8 x 35	4	PC	
40	6.035-055.0	Wheel transmission conductive D200x50	2	PC	CHANGE BOTH WHEELS!
50	7.312-057.0	Washer 16 -A2 ISO 7089	2	PC	
60	7.343-029.0	Locking ring 17x1-FST-RF DIN 471	2	PC	
70	7.318-009.0	Parallel key 5x5x40-C45K DIN 6885	2	PC	
80	6.642-011.0	Insulating hose 10	1	m	TO ORDER AS CUT GOODS

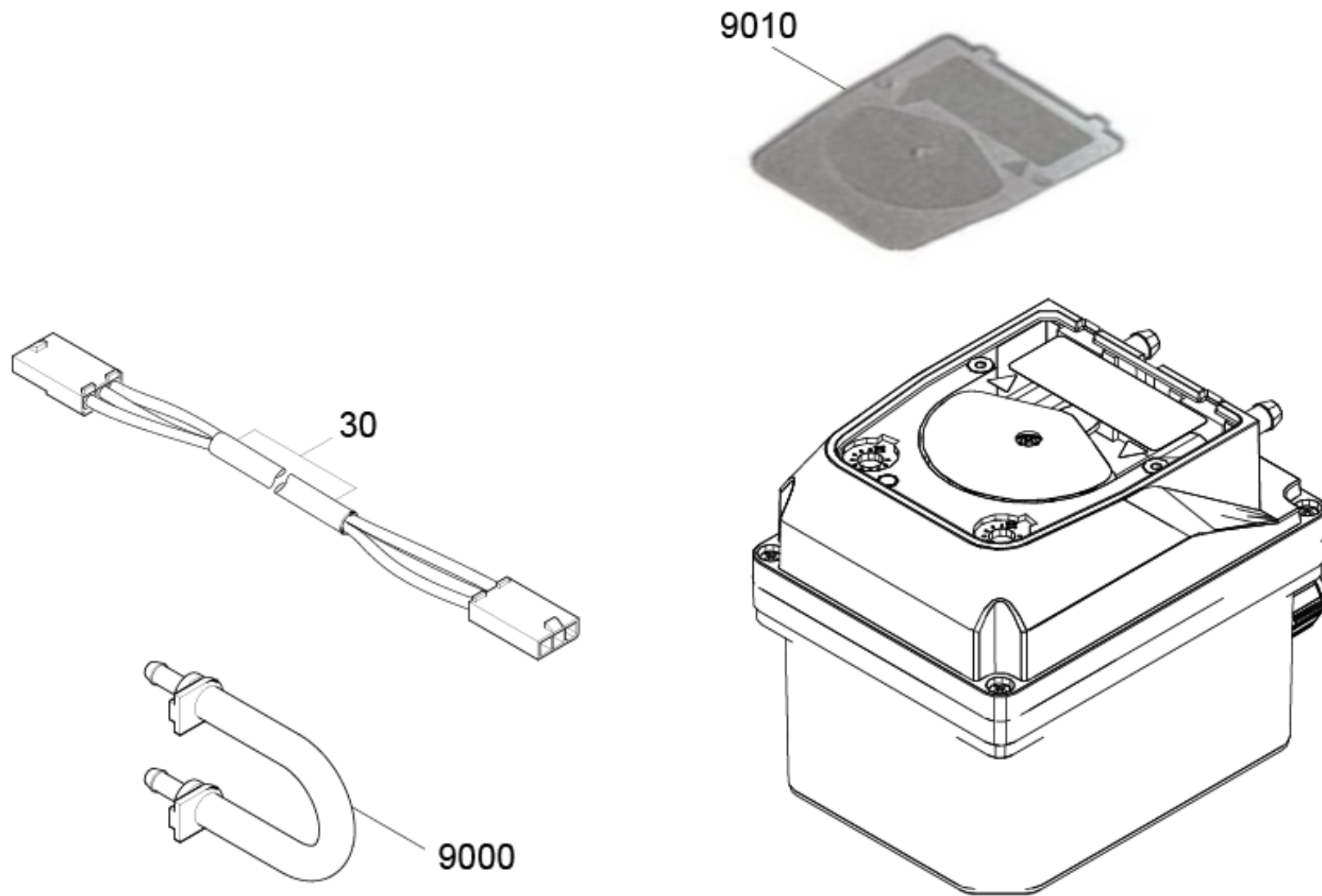
20 Wheel drive motor B40W (6.613-512.3)

POS	Article no.	Description	Quantity	Unit
10	6.490-069.0	Carbon brush set	1	PC



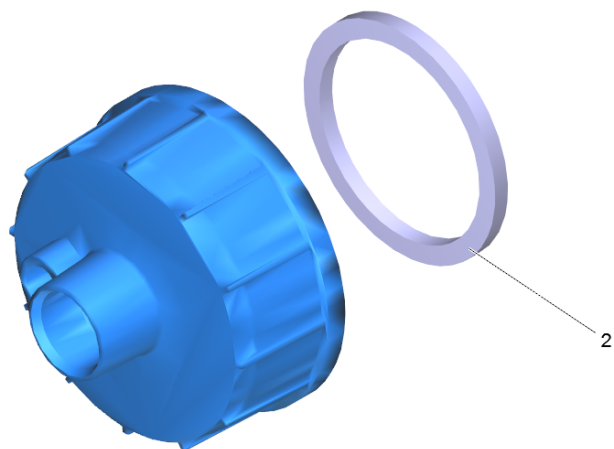
80 RM tin B40

POS	Article no.	Description	Quantity	Unit	Foot note text
10	4.762-028.0	Dosing pump replacement B40 B60 B80	1	PC	
15	7.303-107.0	Screw 5x16 -10.9-P2R (K-In6Rd)	1	PC	
20	6.429-038.3	Flowmetre	1	PC	
30	6.295-915.0	RM 756** 2,5l Multi Cleaner	1	PC	
40	6.373-877.0	Hose clip	4	PC	
50	6.395-188.0	T-Piece 12-6-12	1	PC	
60	7.303-107.0	Screw 5x16 -10.9-P2R (K-In6Rd)	4	PC	
70	5.731-652.0	Filter with weight	1	PC	
80	4.060-866.0	Cover cleaning agents complete	1	PC	
90	5.035-659.0	Hose guide cleaning agents	1	PC	
100	6.391-341.0	Hose chemistry DN 6	0,54	m	TO ORDER AS CUT GOODS
110	6.391-341.0	Hose chemistry DN 6	0,42	m	TO ORDER AS CUT GOODS
111	6.412-015.0	Check valve	1	PC	
120	6.390-892.0	Spiral hose NW12	0,395	m	TO ORDER AS CUT GOODS
121	5.100-411.0	Spiral hose	0,38	m	TO ORDER AS CUT GOODS
130	6.388-248.0	Hose DN12,7	0,08	m	TO ORDER AS CUT GOODS
140	6.390-892.0	Spiral hose NW12	0,11	m	TO ORDER AS CUT GOODS
150	6.641-461.0	Cable clamp 20	1	PC	
160	7.303-107.0	Screw 5x16 -10.9-P2R (K-In6Rd)	1	PC	
170	6.389-924.0	Hose clip	3	PC	
180	6.641-474.0	Cable tape 8-210	4	PC	
190	5.035-721.0	Holder cleaning agents pump	1	PC	
9000	7.777-999.0	Stockpiling discontinued	1	PC	



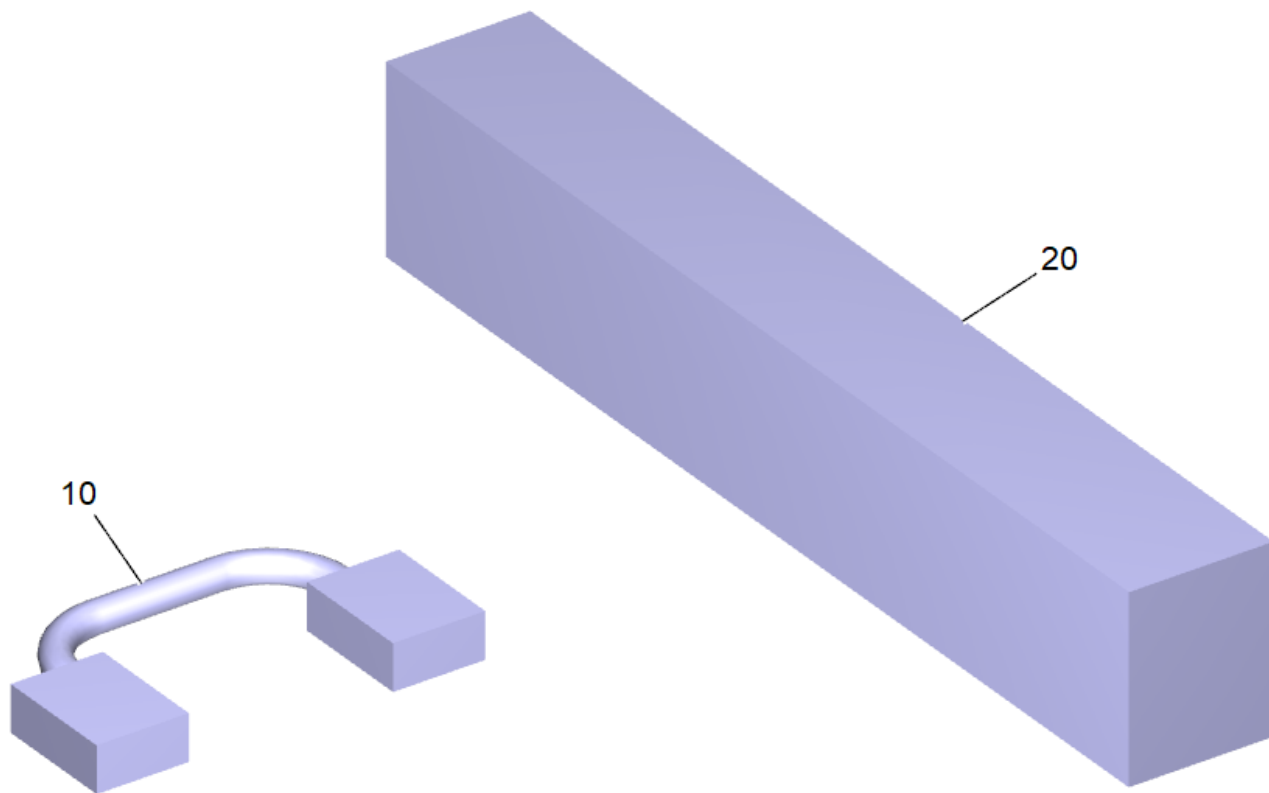
10 Dosing pump replacement B40 B60 B80 (4.762-028.0)

POS	Article no.	Description	Quantity	Unit
30	5.822-000.0	Connection cable Molex	1	PC
9000	4.035-476.0	Hose kit replacement SEKO	1	PC
9010	6.762-023.3	Cover plate dosing pump	1	PC



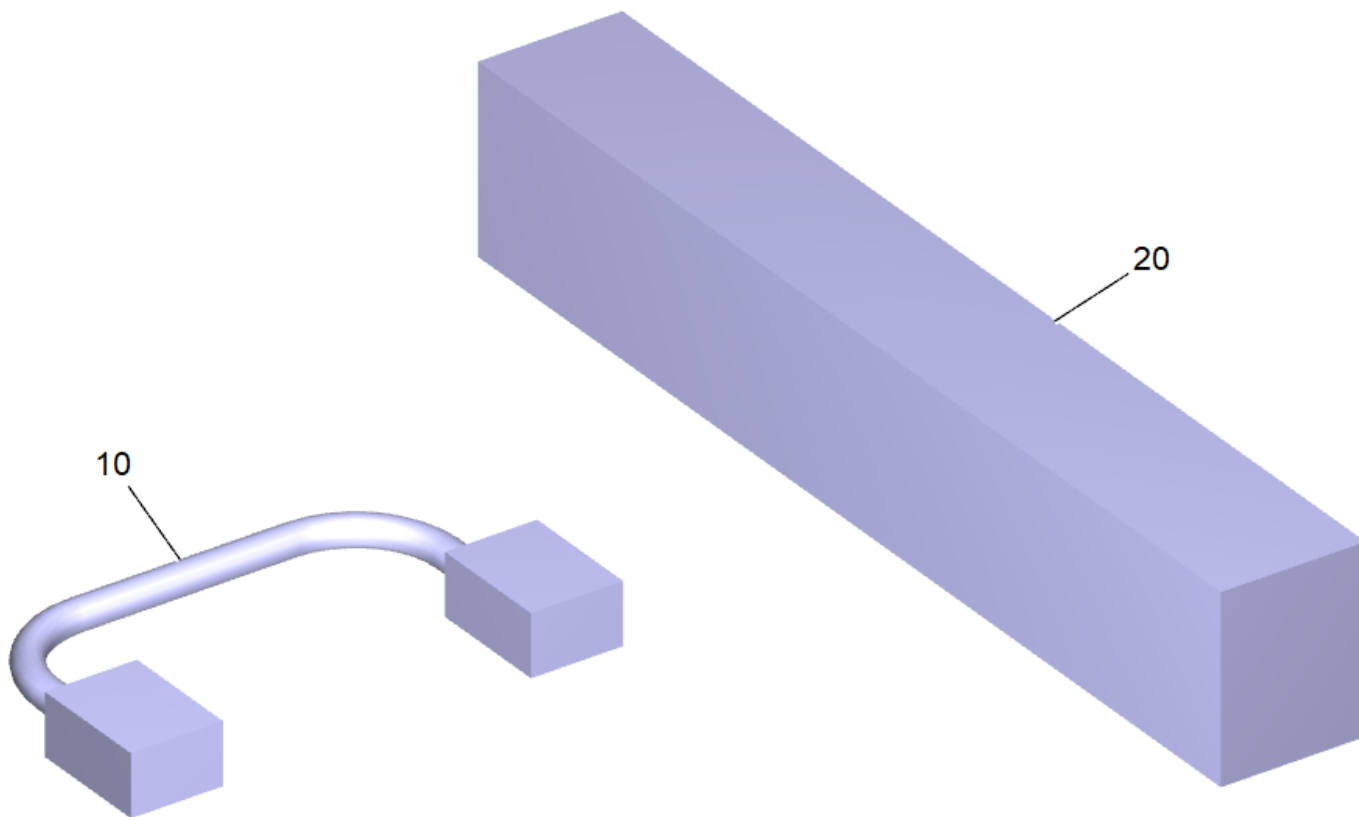
80 Cover cleaning agents complete (4.060-866.0)

POS	Article no.	Description	Quantity	Unit
2	6.363-304.0	Seal	1	PC



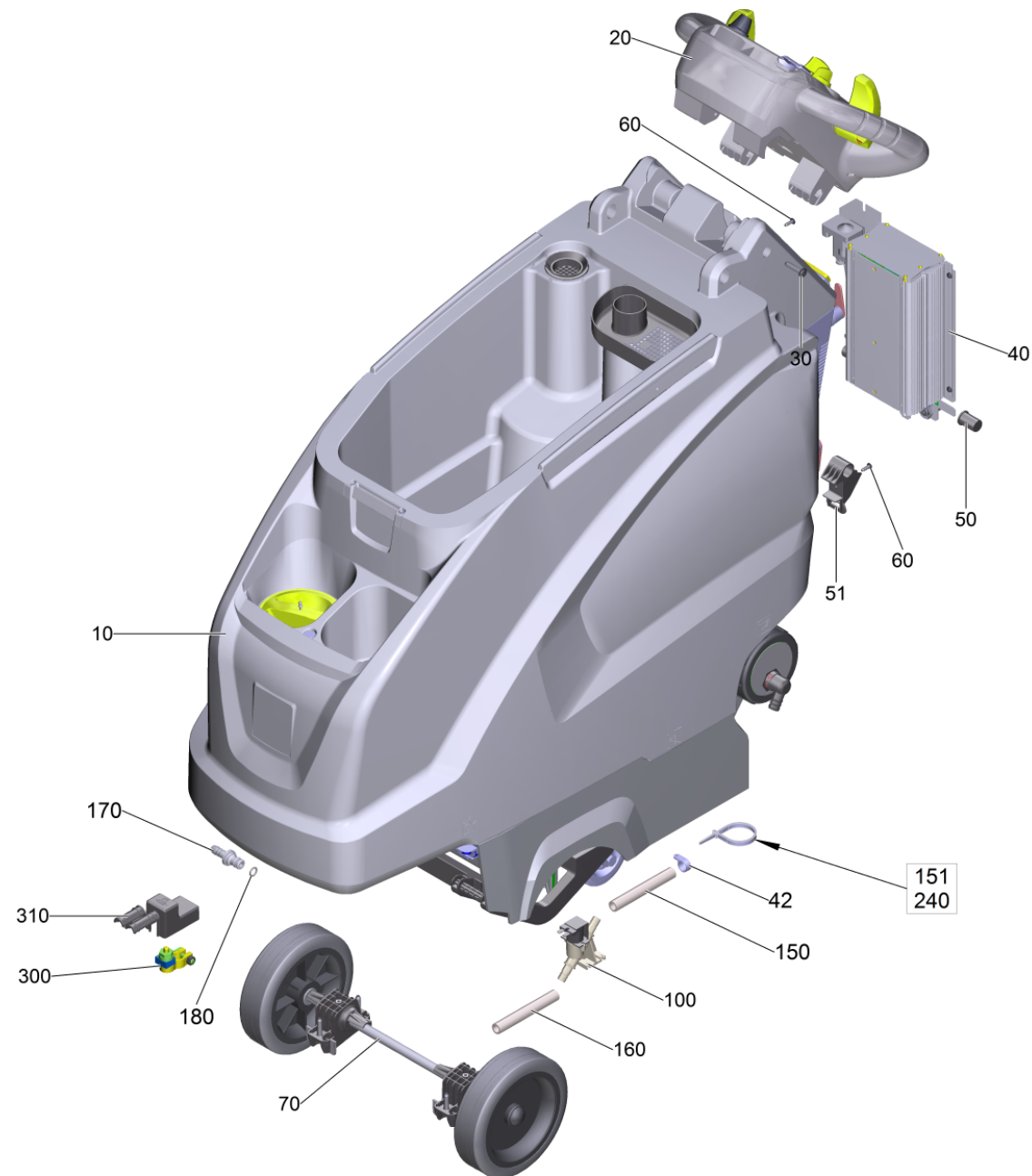
9523 Mounting kit battery kit (2.638-036.0)

POS	Article no.	Description	Quantity	Unit
10	6.649-879.0	Cable battery 25 mm ² . 160 mm	1	PC
20	5.642-021.0	Distance holder battery	1	PC



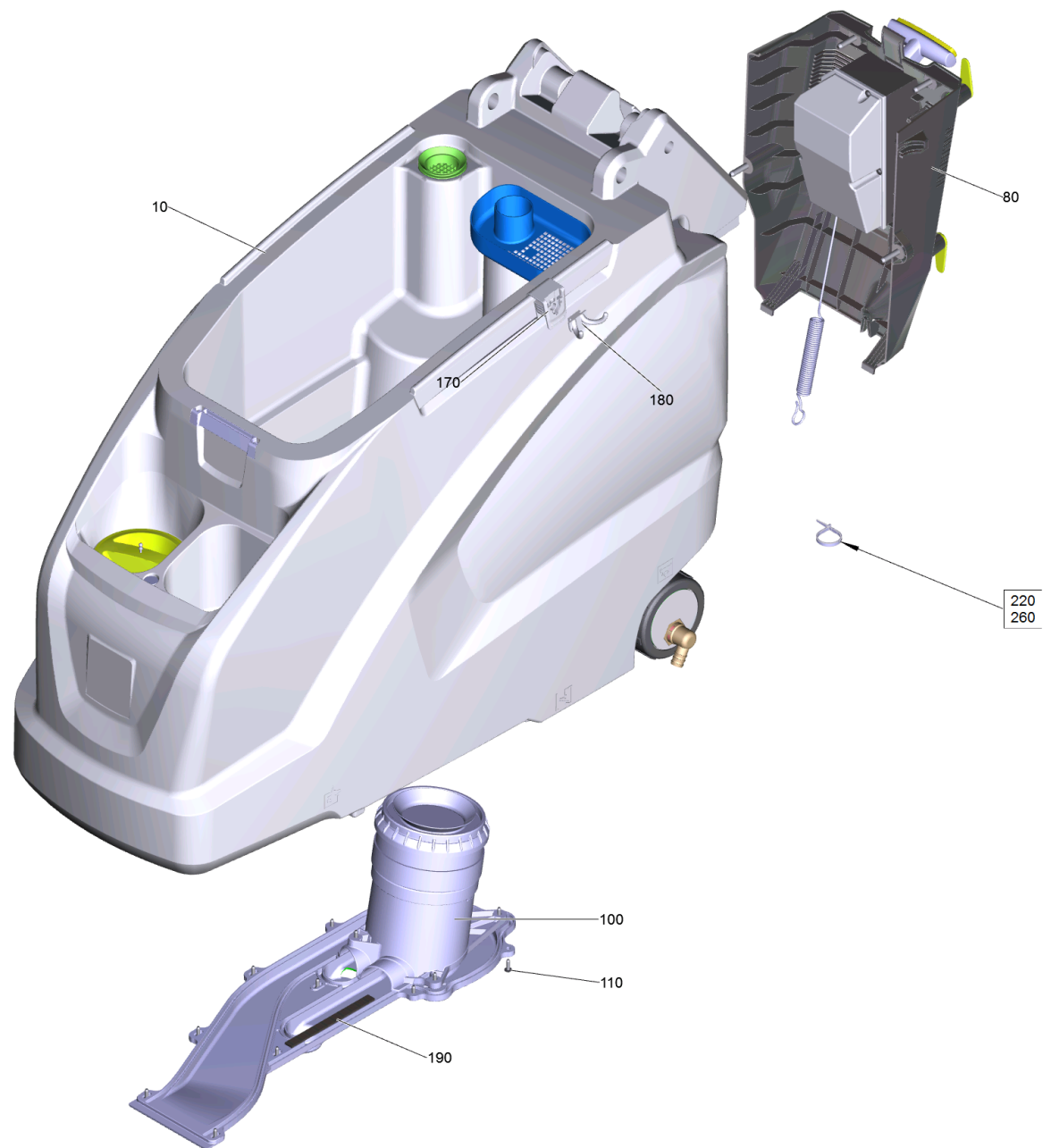
9531 Mounting kit battery kit (2.638-059.0)

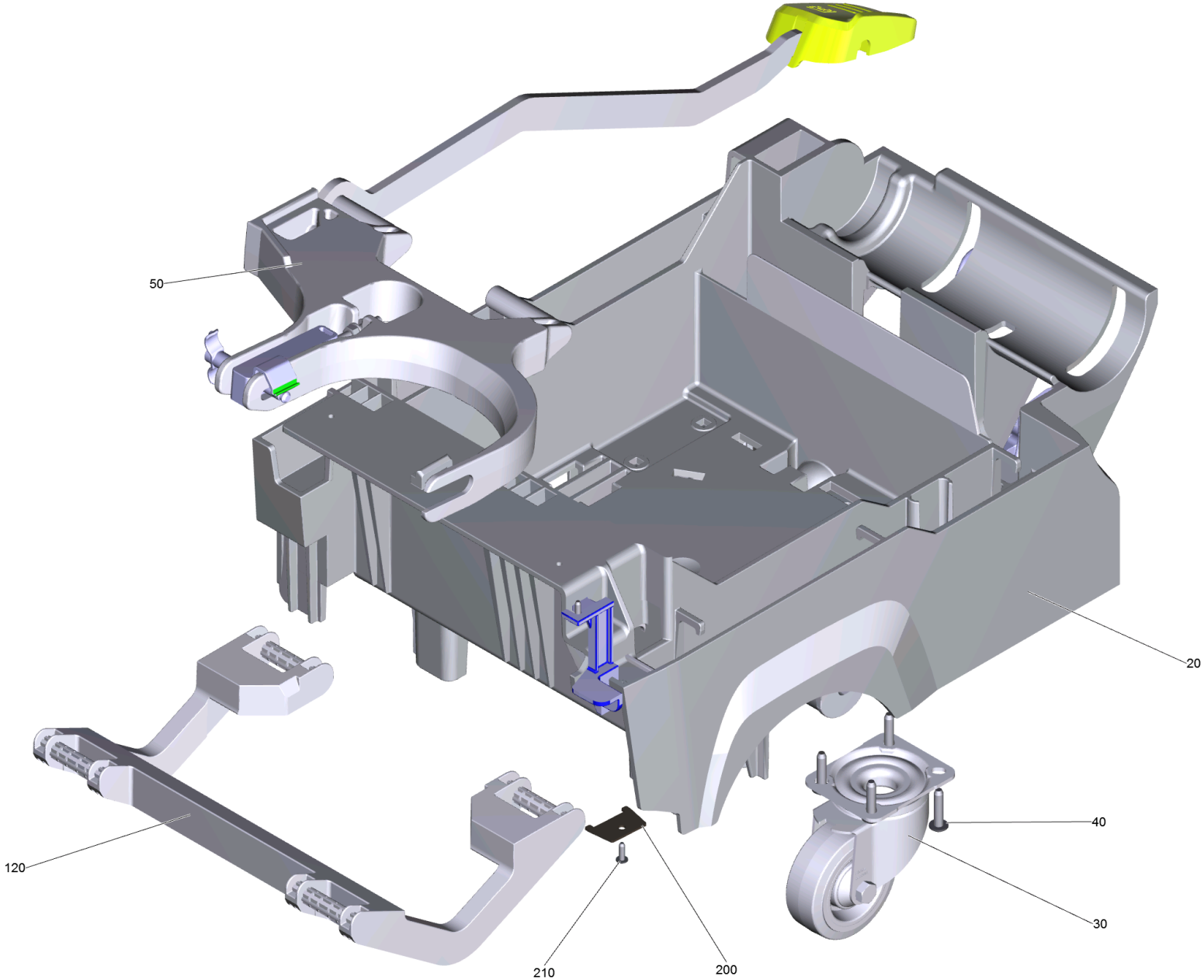
POS	Article no.	Description	Quantity	Unit
10	6.649-601.0	Cable battery short Hoppecke	1	PC
20	5.642-021.0	Distance holder battery	1	PC

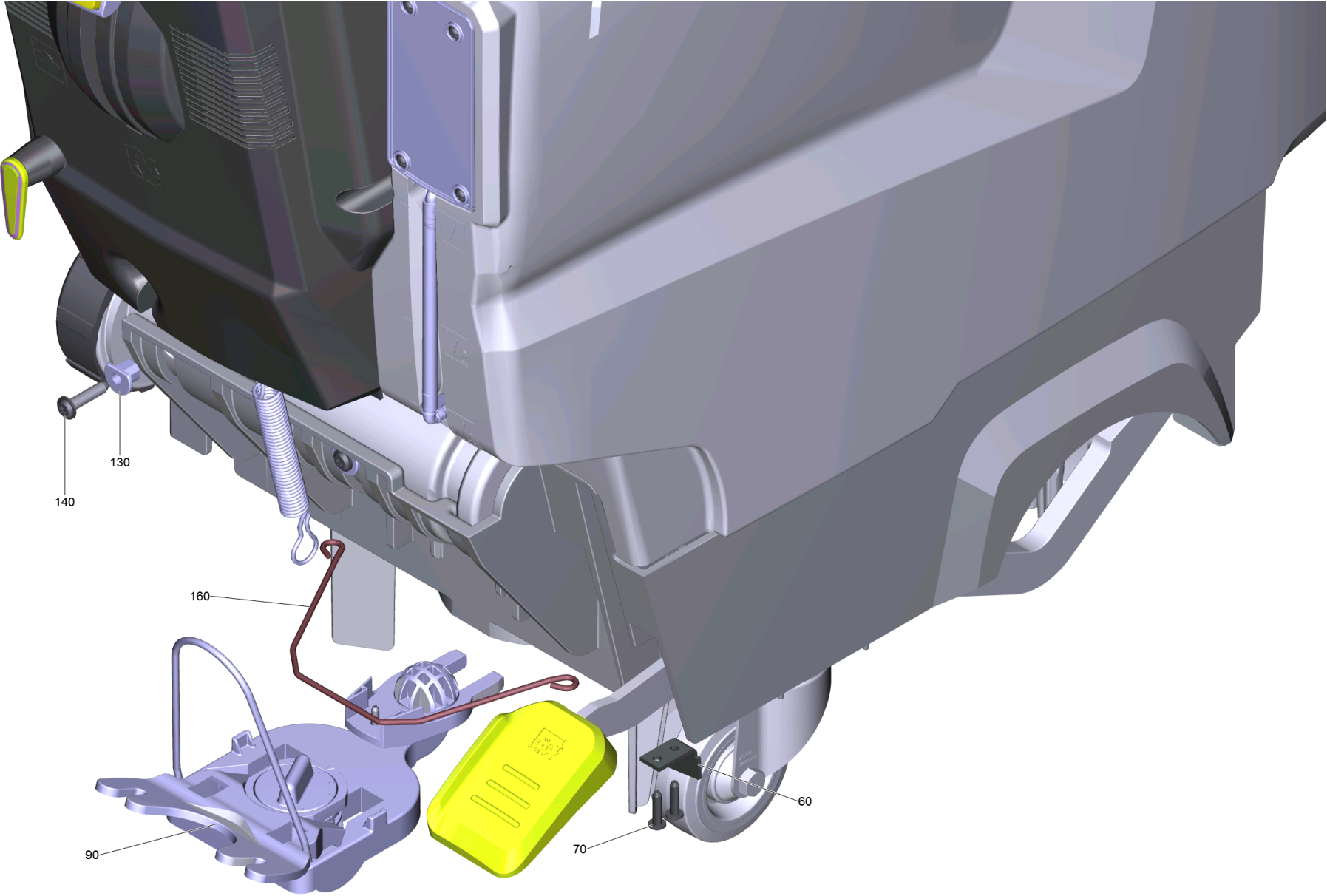


70 B 40 C Bp *UL (2.533-206.0)

POS	Article no.	Description	Quantity	Unit	Foot note text
10		Basic machinery B 40	1	PC	
20		Control panel complete BAT C	1	PC	
30	6.303-315.0	Screw 8 x 35	4	PC	
40		Electric equipment B40 C Bp Dose *UL	1	PC	OLD VERSION
40		Electric equipment B 40 C Bp Dose US CAN	1	PC	NEW VERSION
42	6.373-877.0	Hose clip	1	PC	
50	5.035-450.0	Bearing bush electronics	2	PC	
51	5.035-433.0	Adapter	2	PC	
60	7.303-107.0	Screw 5x16 -10.9-P2R (K-In6Rd)	4	PC	
70		Axle complete	1	PC	
100	6.472-007.3	Solenoid valve 24 V	1	PC	
150	6.390-892.0	Spiral hose NW12	1	m	
151	6.641-474.0	Cable tape 8-210	4	PC	
160	6.390-892.0	Spiral hose NW12	1	m	
170	5.443-375.0	Hose stem	1	PC	
180	6.362-170.0	O-Ring seal 11,3 X 2,4-NBR 70	1	PC	
240	6.641-463.0	Cable tape	1	PC	
300	6.644-618.0	Pole binder	1	PC	
310	5.394-852.0	Covering cap battery terminal	1	PC	
1020		Documentation C Bp *UL	1	PC	
9520	2.815-099.0	Battery kit Gel 2x 12V/76Ah	1	SET	
9521	2.815-100.0	Battery kit Gel 2x 12V/105Ah	1	SET	
9522	2.815-090.0	Battery kit AGM 2x 12V/80Ah	1	SET	
9523	2.638-036.0	Mounting kit battery kit	1	PC	
9530	2.815-091.0	Battery kit AGM 2x 12V/115Ah	1	SET	
9531	2.638-059.0	Mounting kit battery kit	1	PC	

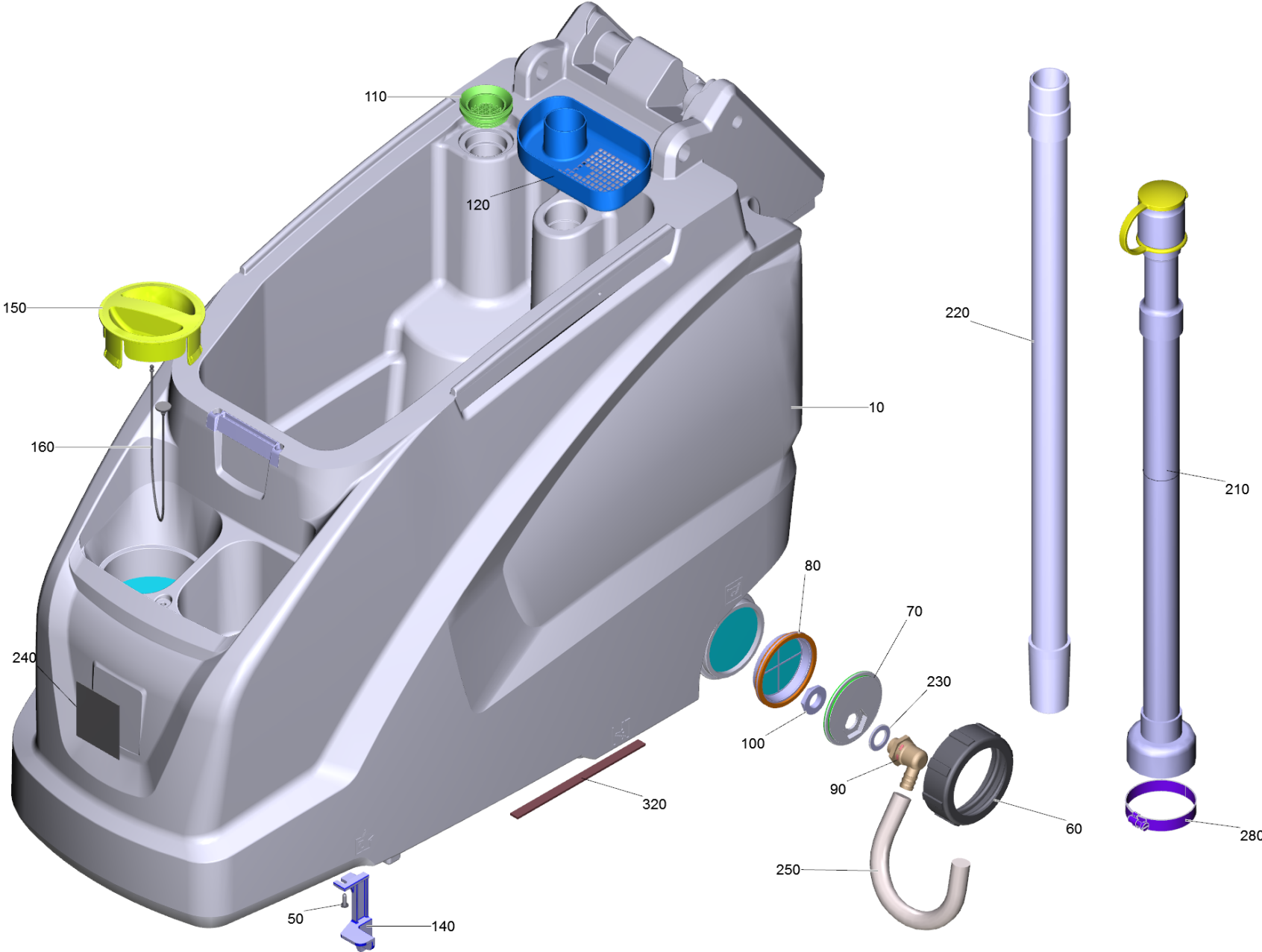


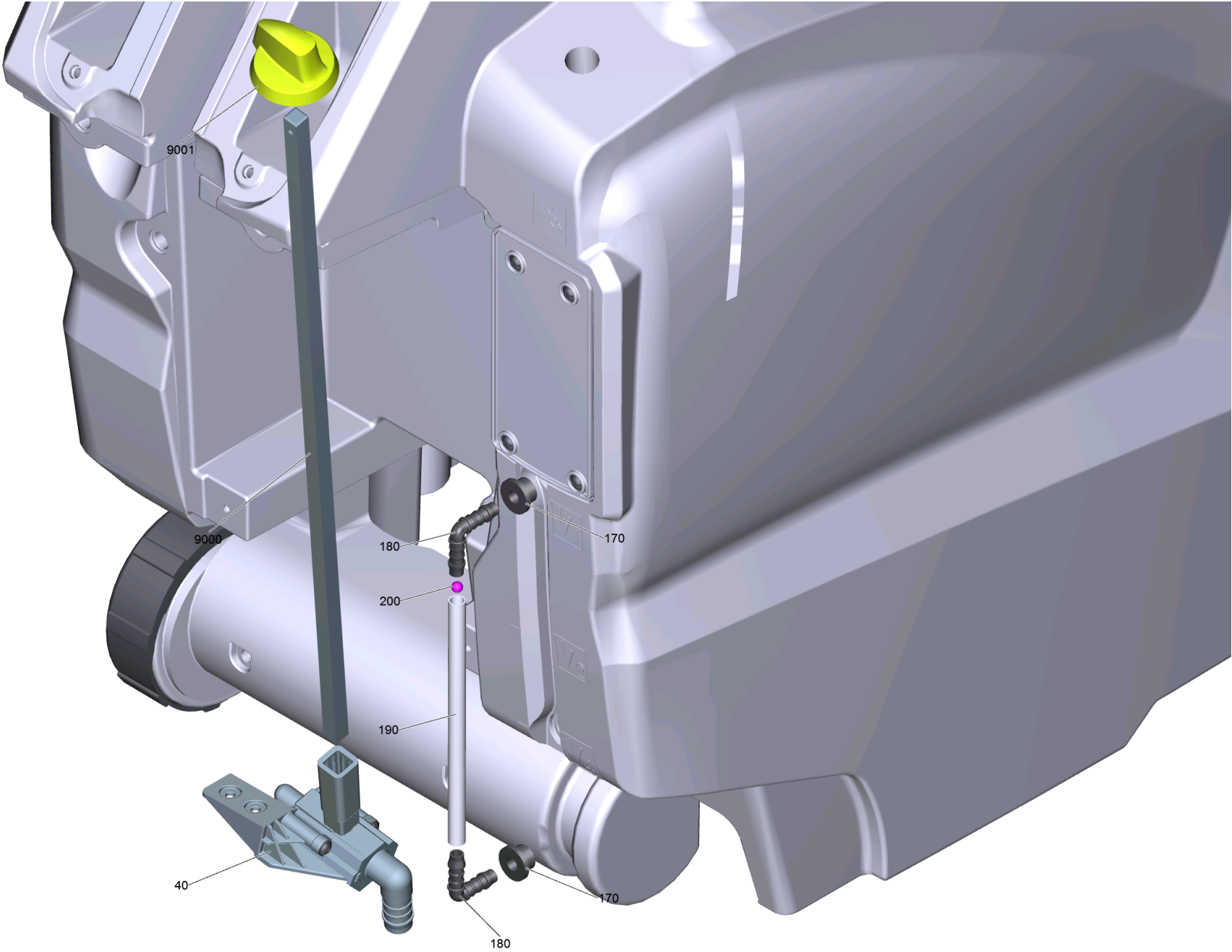


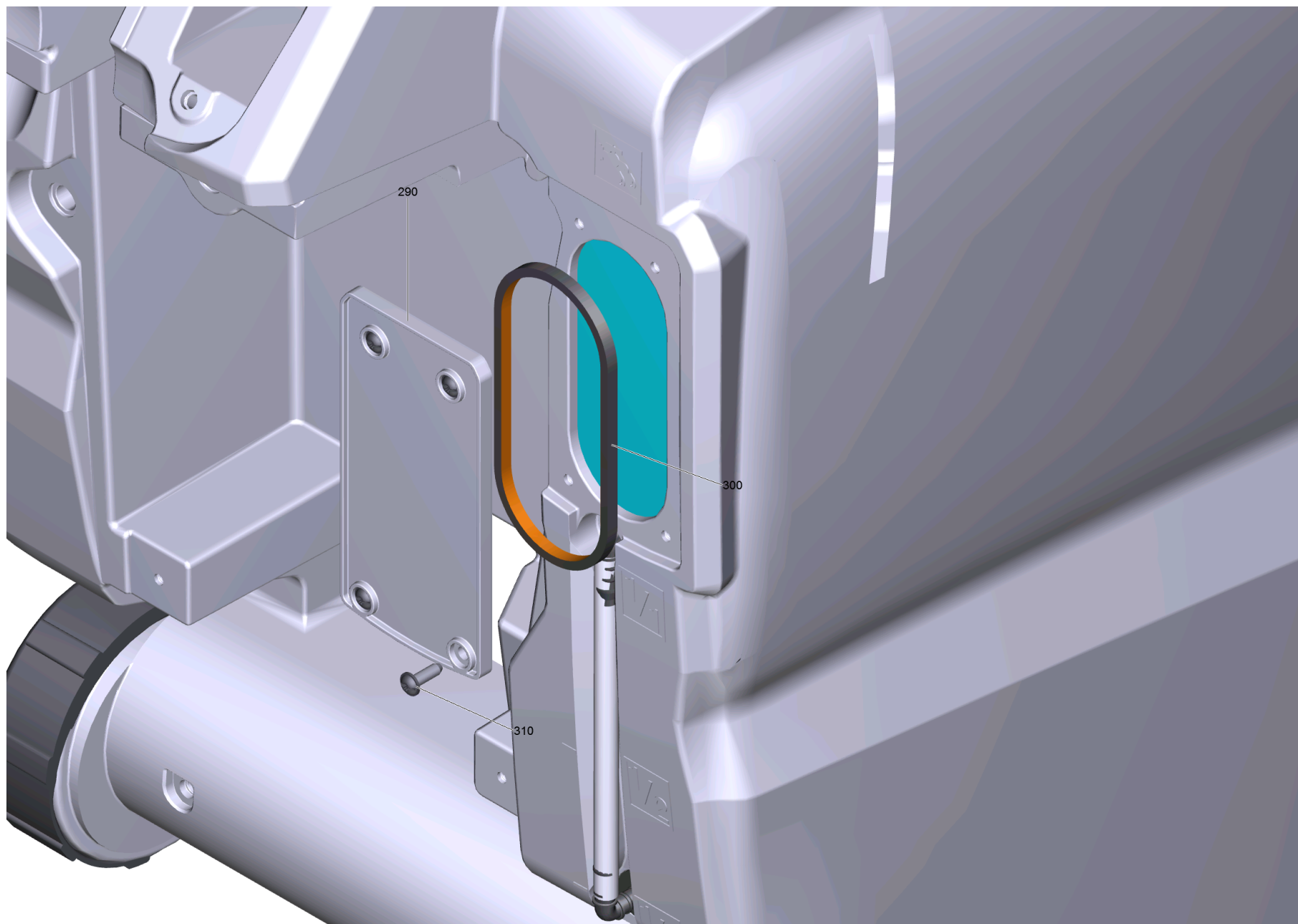


10 Basic machinery B 40

POS	Article no.	Description	Quantity	Unit	Foot note text
10	4.035-335.0	Tank complete	1	PC	
20	5.035-350.0	Frame B40	1	PC	
30	6.435-011.3	Castor	2	PC	
40	6.303-315.0	Screw 8 x 35	8	PC	
50		Suspension brush-head complete	1	PC	
60	5.035-361.0	Sheet metal component	1	PC	
70	7.303-109.0	Screw 5x25 -10.9-R2R (In6Rd)	2	PC	
80		Covering cap rear complete	1	PC	
90		Suction bar lifting complete	1	PC	
100		Vacuum motor	1	PC	
110	7.303-107.0	Screw 5x16 -10.9-P2R (K-In6Rd)	13	PC	
120	5.035-334.0	Retaining bracket connecting rod	1	PC	
130	5.035-522.0	Sleeve	3	PC	
140	6.303-315.0	Screw 8 x 35	3	PC	
160	5.035-440.0	Wire spring	1	PC	
170	5.035-488.0	Adapter Homebase	1	PC	
180	6.980-077.0	Double hook	1	PC	
190	6.273-090.0	Sealing tape 13x3	1	m	TO ORDER AS CUT GOODS
200	5.035-726.0	Plate	1	PC	
210	7.303-107.0	Screw 5x16 -10.9-P2R (K-In6Rd)	1	PC	
220	6.641-465.0	Cable tape	1	PC	
260	6.647-081.0	Cable tape	1	PC	

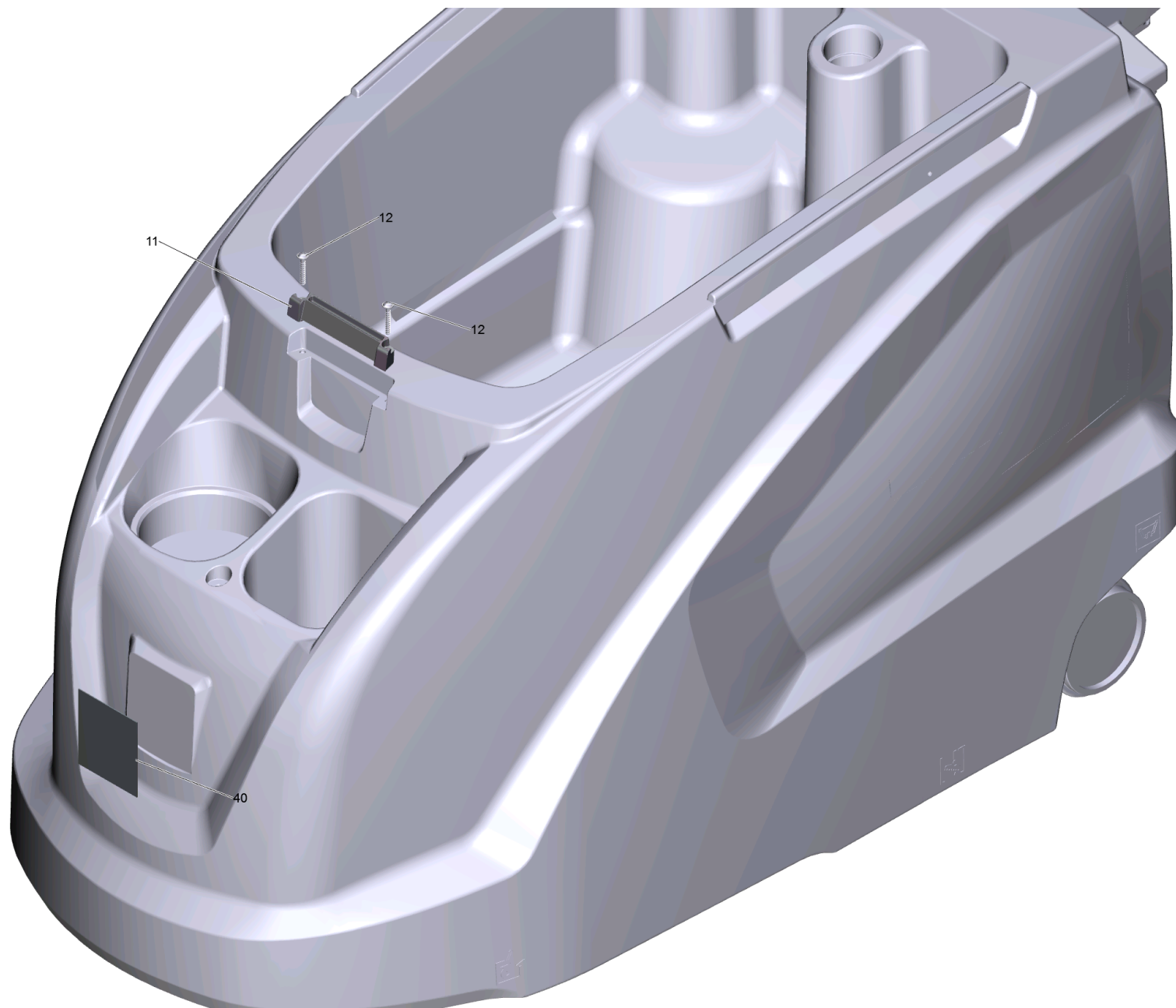






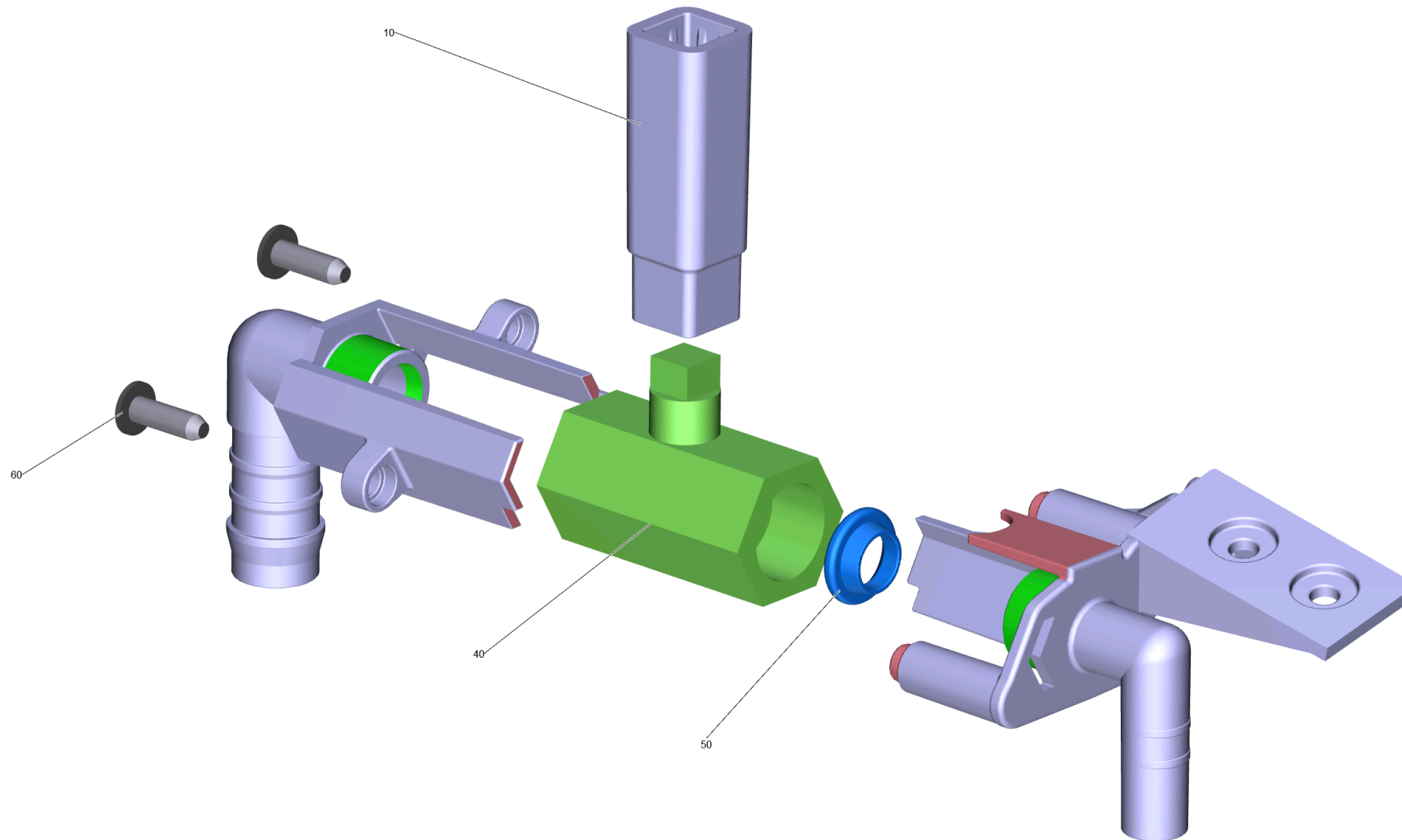
10 Tank complete (4.035-335.0)

POS	Article no.	Description	Quantity	Unit	Foot note text
10	4.035-429.0	Tank replacement B40	1	PC	
40	4.035-426.0	Ball valve complete replacement	1	PC	
50	7.303-107.0	Screw 5x16 -10.9-P2R (K-In6Rd)	3	PC	
60	5.035-341.0	Cover fresh water tank discharge	1	PC	
70	5.035-342.0	Hose connection fresh water discharge	1	PC	
80	5.035-376.0	Filter discharge	1	PC	
90	6.395-163.3	Angle bushing G1-2	1	PC	
100	6.310-004.0	Hexagon nut G 1/2"	1	PC	
110	5.515-266.0	Joint ring fluffing strainer	1	PC	
120	5.036-932.0	Tank bulk waste yellow	1	PC	
140	5.035-435.0	Tank locking part	1	PC	
150	5.034-099.0	Cover fresh water metering RM	1	PC	
160	5.035-358.0	Mounting rope cover fresh water tank	1	PC	
170	5.035-608.0	Wire protecting sleeve	2	PC	
180	6.391-913.0	Elbow nipple	2	PC	
190	5.035-328.0	Silicon hose level indicator	1	PC	
200	6.035-072.0	Sphere level indicator D6	1	PC	
210	4.035-285.0	Drain hose with cover PU	1	PC	OIL RESISTANT
220	6.392-471.0	Suction hose PU DN32	1	PC	
230	5.515-253.0	Seal D34	1	PC	
240	5.394-081.0	Label signet gel 78x86	1	PC	
250	6.390-324.0	Hose DN16	1	m	TO ORDER AS CUT GOODS
280	6.388-767.0	Hose clip 70- 90	1	PC	
290	4.035-370.0	Screen filling system	1	PC	
300	5.035-418.0	Seal fixing plate	1	PC	
310	7.303-107.0	Screw 5x16 -10.9-P2R (K-In6Rd)	4	PC	
320	6.273-043.0	Sealing tape cellularrubber 9x4	1	m	TO ORDER AS CUT GOODS
9000	5.035-369.0	Bar	1	PC	
9001	5.035-404.0	Handle	1	PC	



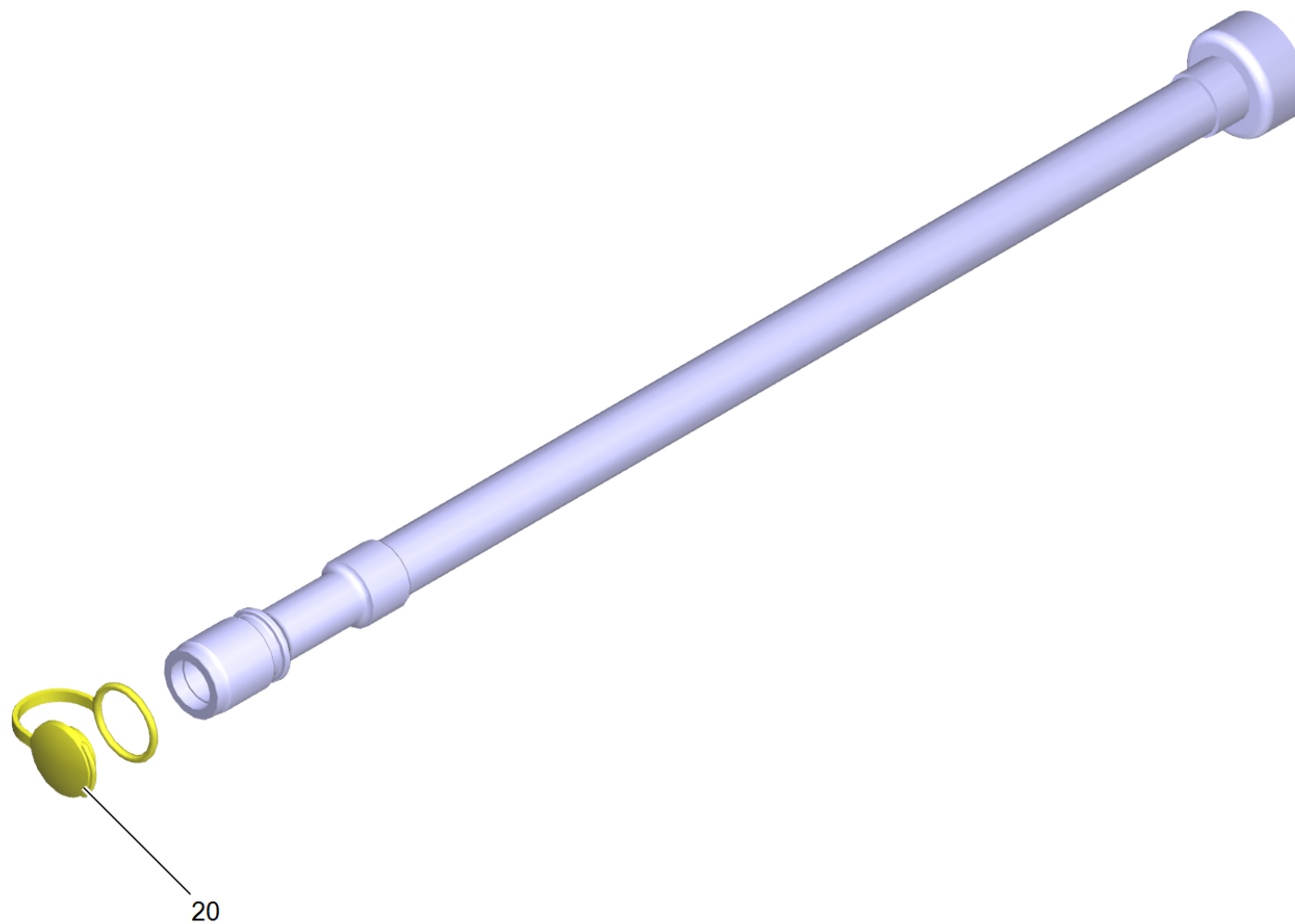
10 Tank replacement B40 (4.035-429.0)

POS	Article no.	Description	Quantity	Unit
11	5.035-482.0	Add-on part tank cover	1	PC
12	7.303-086.0	Screw 5x30 -10.9-R2R (K-In6Rd)	2	PC
40	5.394-081.0	Label signet gel 78x86	1	PC



40 Ball valve complete replacement (4.035-426.0)

POS	Article no.	Description	Quantity	Unit
10	5.035-459.0	Coupler piece ball valve	1	PC
40	6.413-586.0	Ball valve without handhold	1	PC
50	5.035-770.0	Seal ball valve	2	PC
60	7.303-107.0	Screw 5x16 -10.9-P2R (K-In6Rd)	2	PC

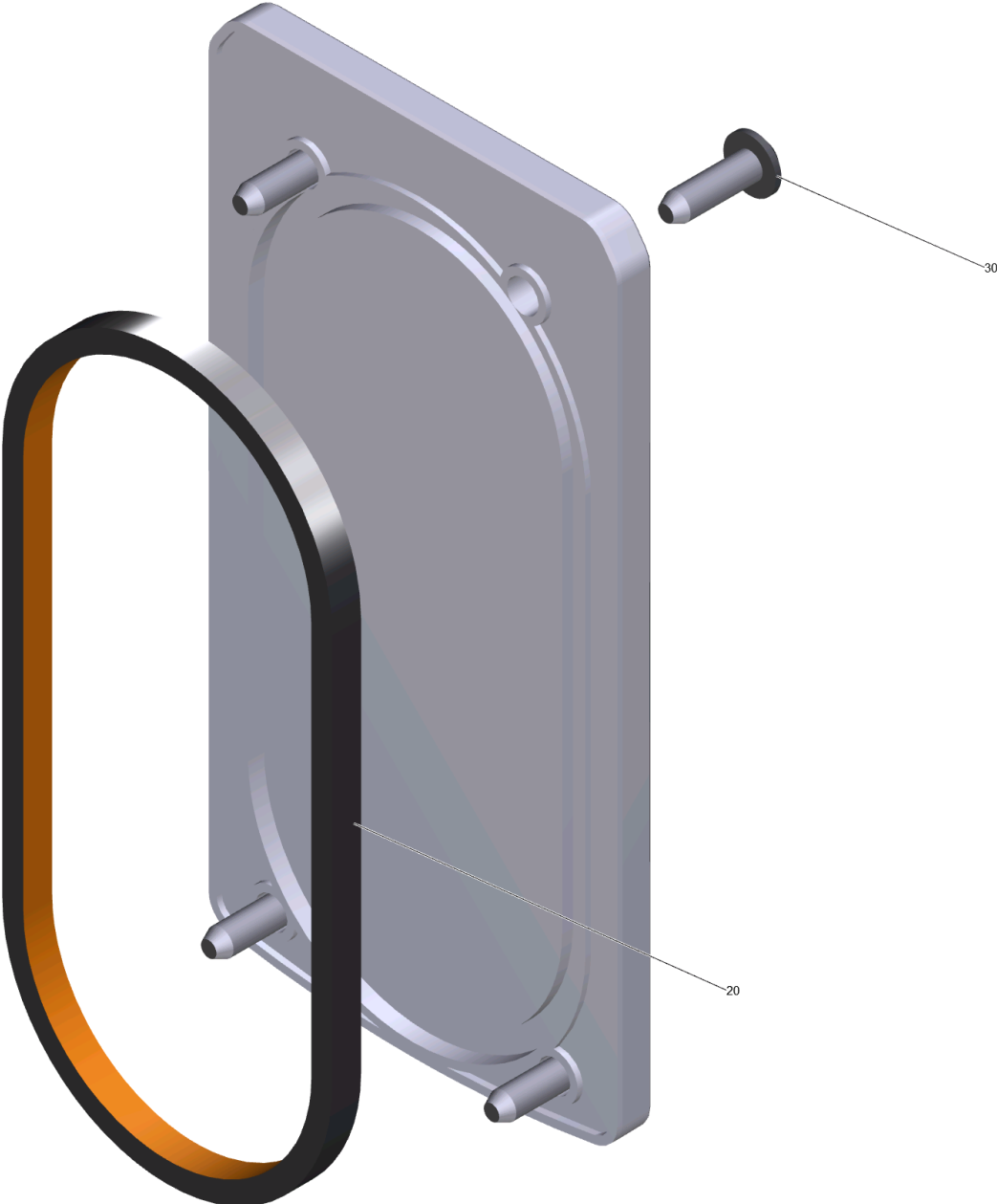


210 Drain hose with cover PU (4.035-285.0)

POS	Article no.	Description	Quantity	Unit
20	5.036-249.0	Cover plate drain hose yellow PU	1	PC

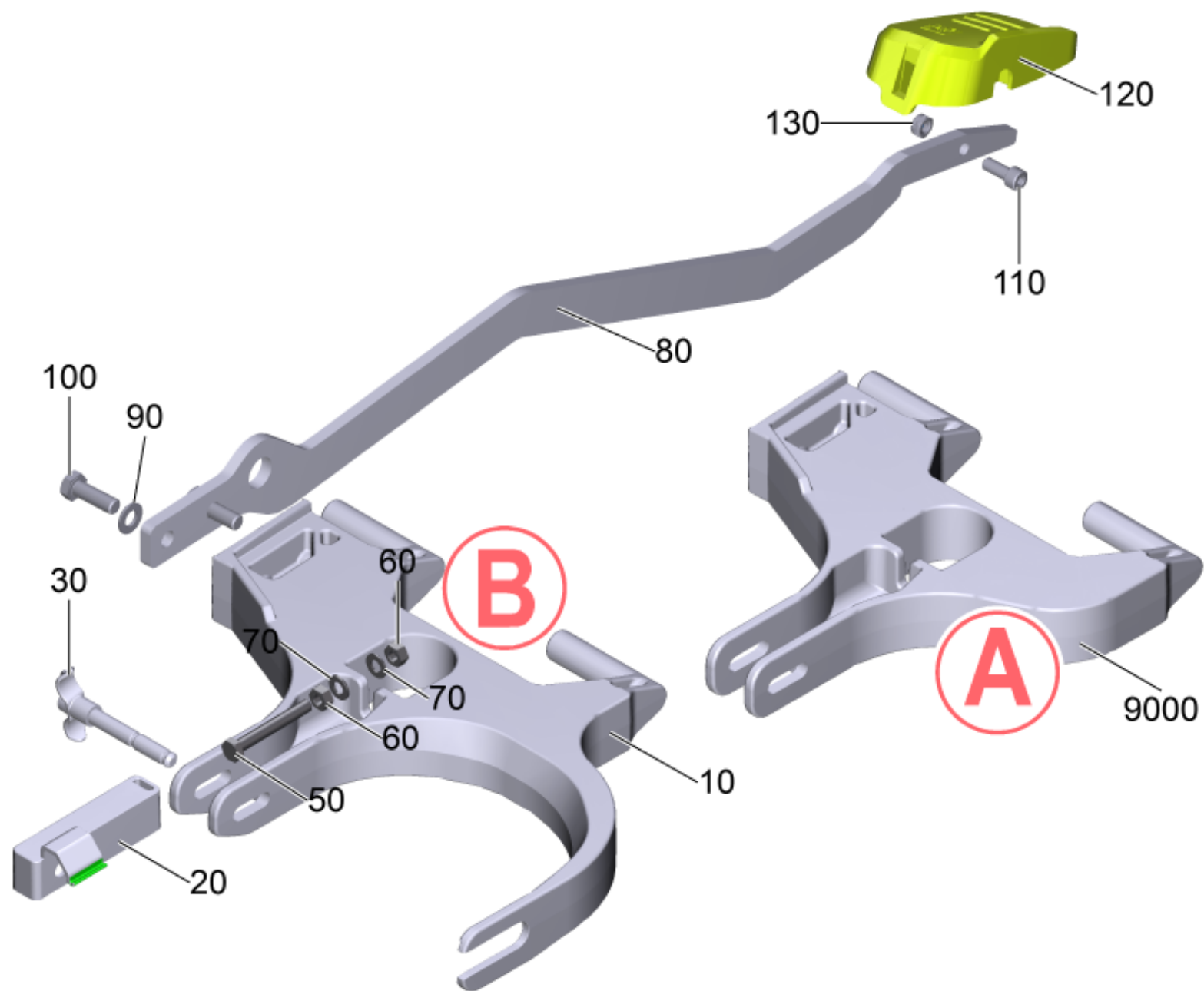
290 Screen filling system (4.035-370.0)

POS	Article no.	Description	Quantity	Unit
10	4.035-370.7	Screen filling system	1	PC



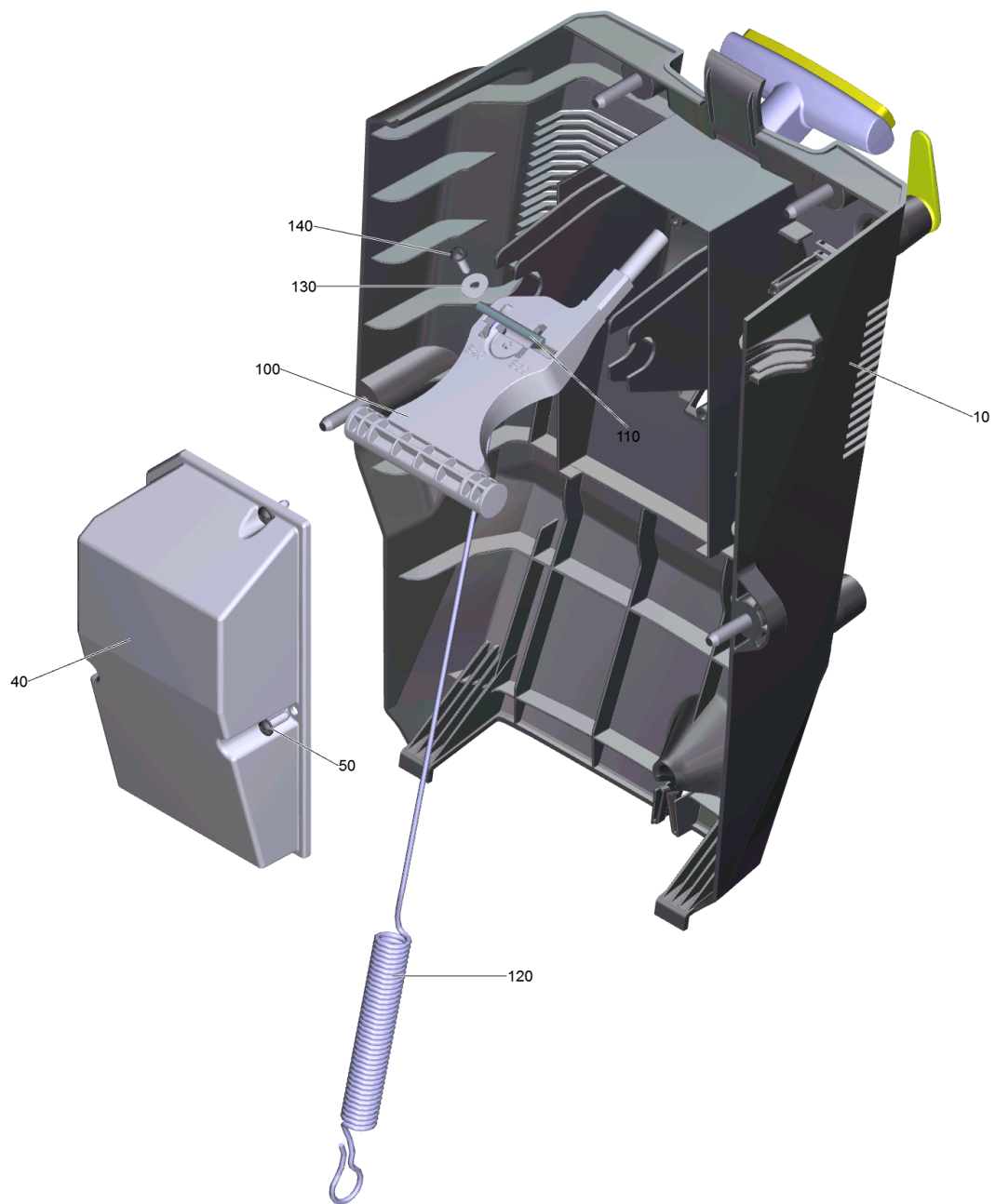
10 Screen filling system (4.035-370.7)

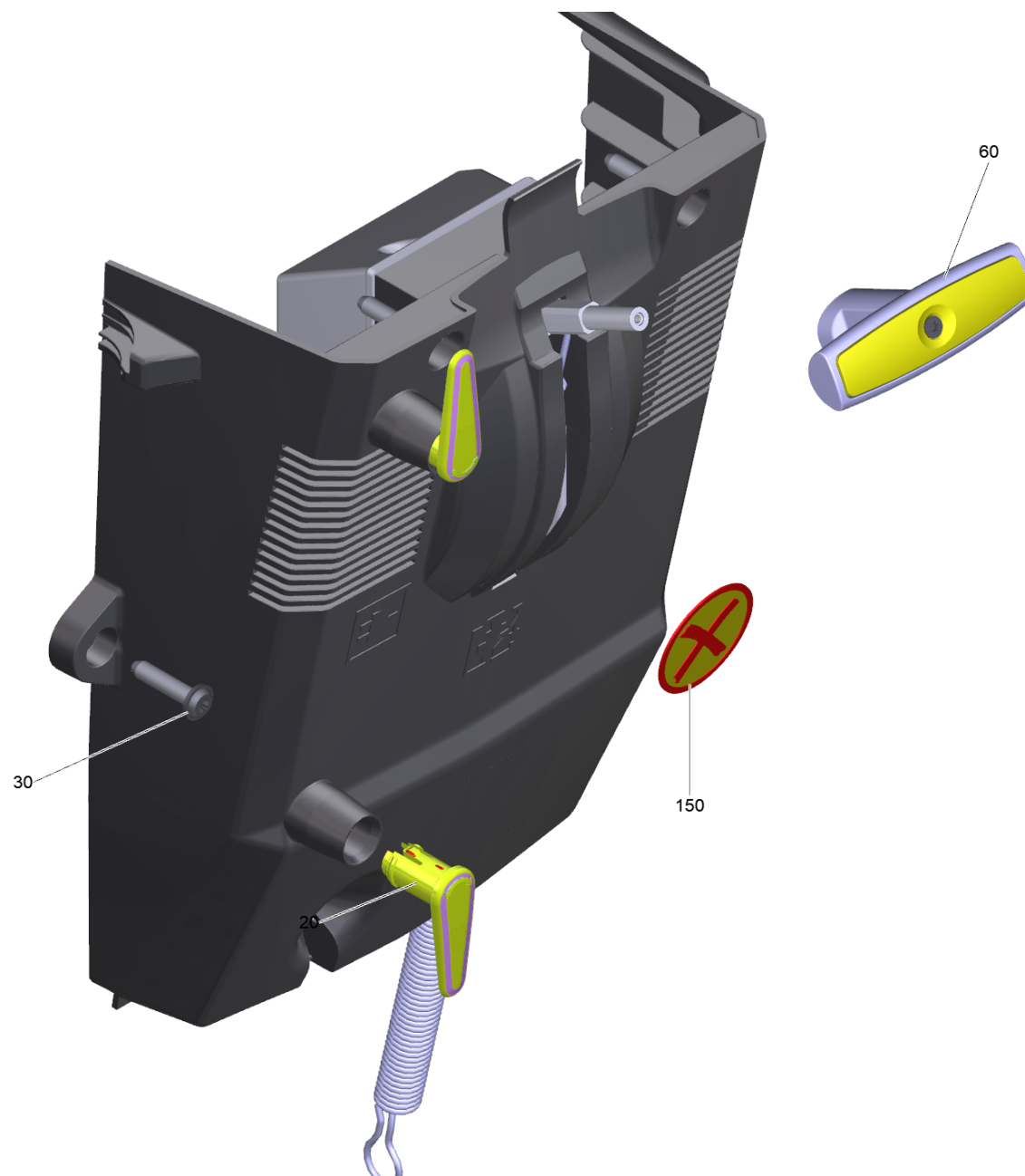
POS	Article no.	Description	Quantity	Unit
20	5.035-418.0	Seal fixing plate	1	PC
30	7.303-107.0	Screw 5x16 -10.9-P2R (K-In6Rd)	4	PC



50 Suspension brush-head complete

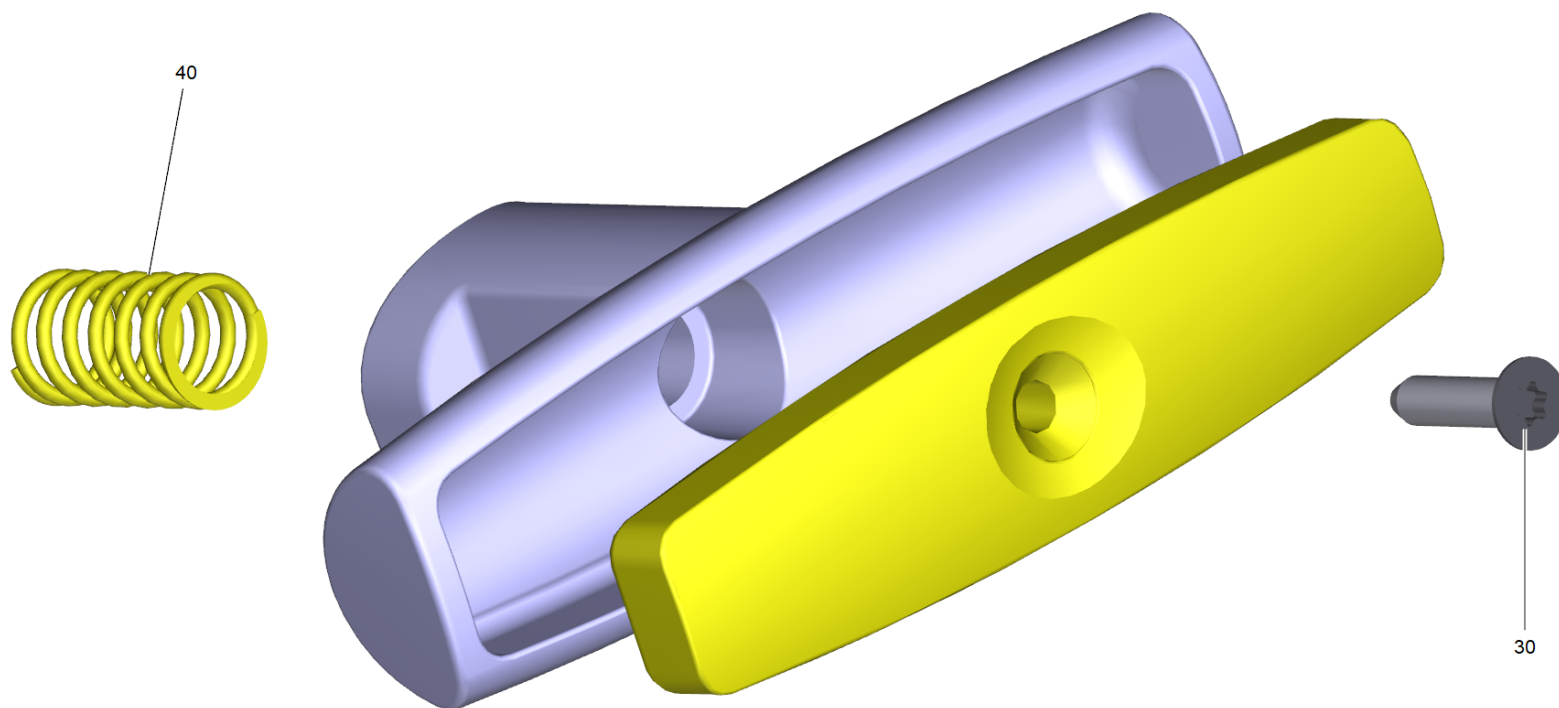
POS	Article no.	Description	Quantity	Unit	Foot note text
10	5.035-675.0	Suspension brush-head triple	1	PC	VERSION B
20	5.035-377.0	Adjusting element brush-head	1	PC	
30	5.035-865.0	Handhold bolt brush-head	1	PC	
50	7.304-262.0	Hexagonal head screw M8x60-A4-70 ISO 40	1	PC	
60	7.311-068.0	Hexagon nut M 8-A2-70 ISO 4032	2	PC	
70	7.312-004.0	Washer 8 -200HV-A3E ISO 7089	2	PC	
80	5.035-370.0	Lever plate brush-head	1	PC	
90	7.312-005.0	Washer 10-200HV-A3E ISO 7089	2	PC	
100	7.304-417.0	Hexagonal head screw M10x30-8.8-A3E ISO	2	PC	
110	7.306-041.0	Cylinder head screw M8x20 -8.8-A2E ISO	1	PC	
120	5.035-374.0	Pedal brush-head	1	PC	
130	7.311-432.0	Hexagon nut M 8-1.4305 DIN 985	1	PC	
9000	2.882-733.0	Conversion kit suspension brush-head B40	1	PC	VERSION A





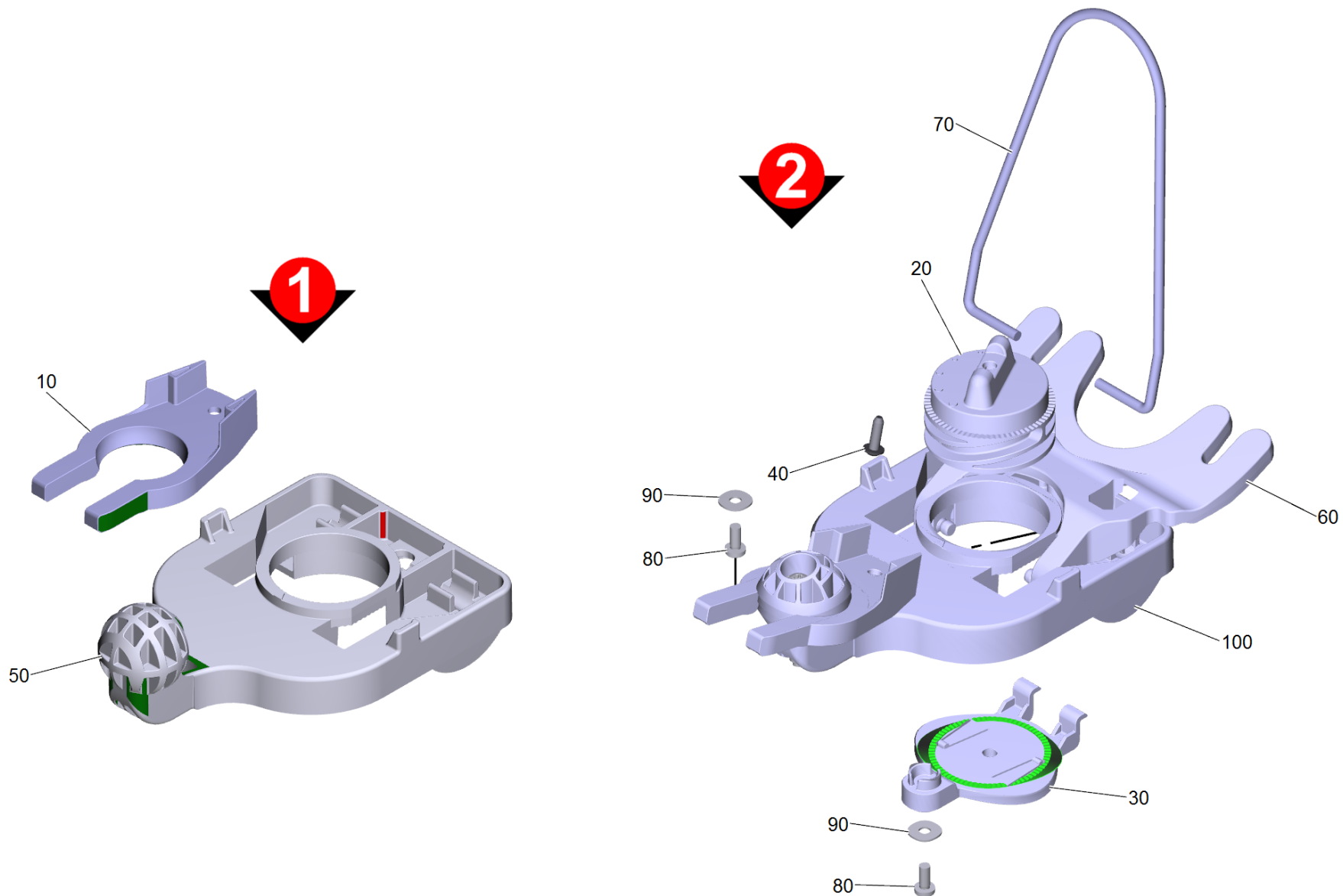
80 Covering cap rear complete

POS	Article no.	Description	Quantity	Unit
10	5.035-366.0	Covering cap	1	PC
20	5.044-661.0	Catch for cable yellow	2	PC
30	6.303-315.0	Screw 8 x 35	4	PC
40	5.035-446.0	Cover covering cap rear	1	PC
50	7.303-107.0	Screw 5x16 -10.9-P2R (K-In6Rd)	3	PC
60	4.035-612.0	Set handhold adjustment	1	PC
100	5.035-445.0	Lever suction bar	1	PC
110	5.035-453.0	Axle lever suction bar	1	PC
120	5.035-423.0	Extension spring	1	PC
130	7.312-282.0	Washer 5 -A2 ISO 7093-1	1	PC
140	7.303-107.0	Screw 5x16 -10.9-P2R (K-In6Rd)	1	PC
150	5.380-889.0	Warning sign BR-BD 750	1	PC



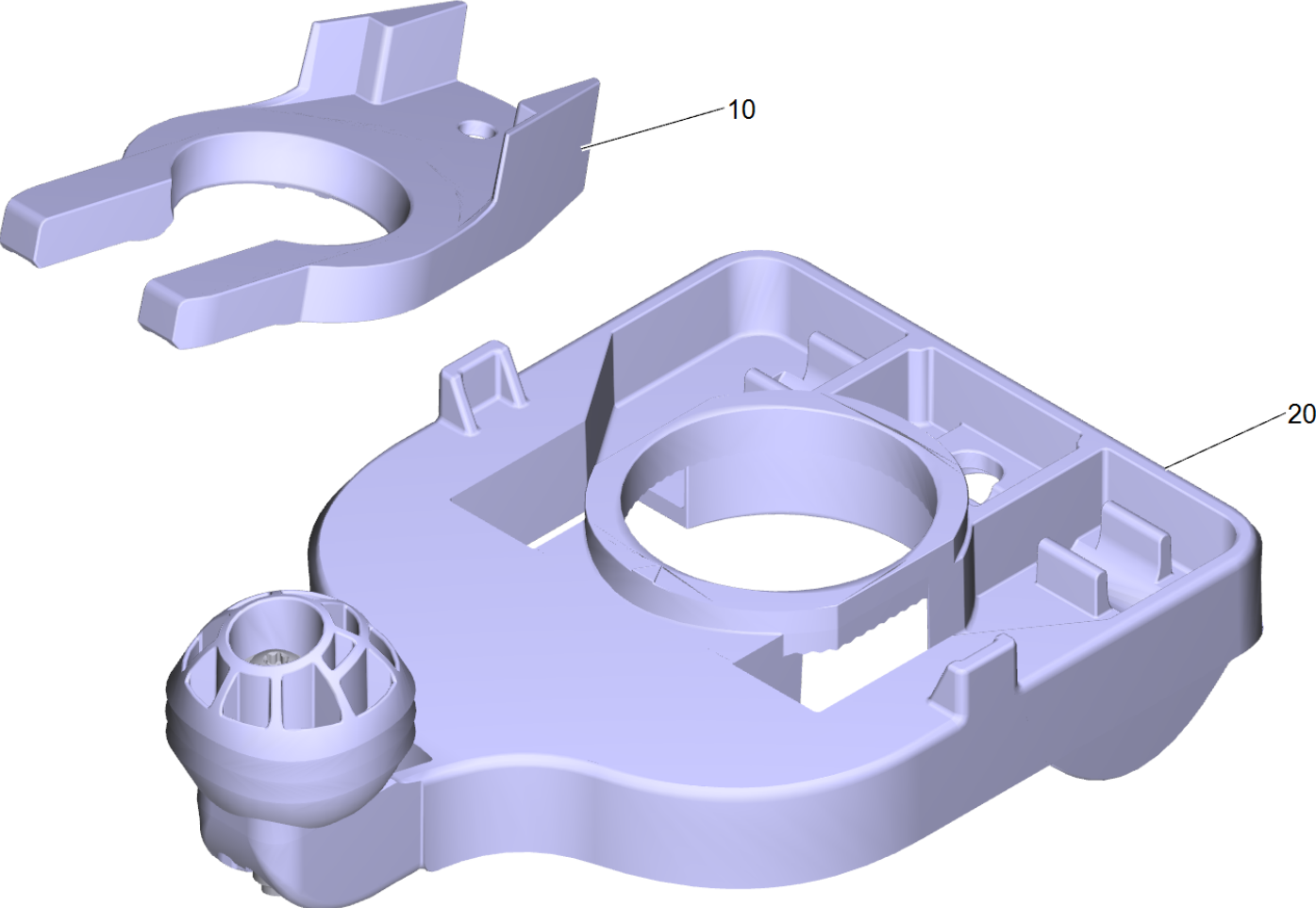
60 Set handhold adjustment (4.035-612.0)

POS	Article no.	Description	Quantity	Unit
30	7.303-128.0	Countersunk screw 5x20 -10.9-R2R (In6Rd)	1	PC
40	5.332-481.0	Helical spring	1	PC



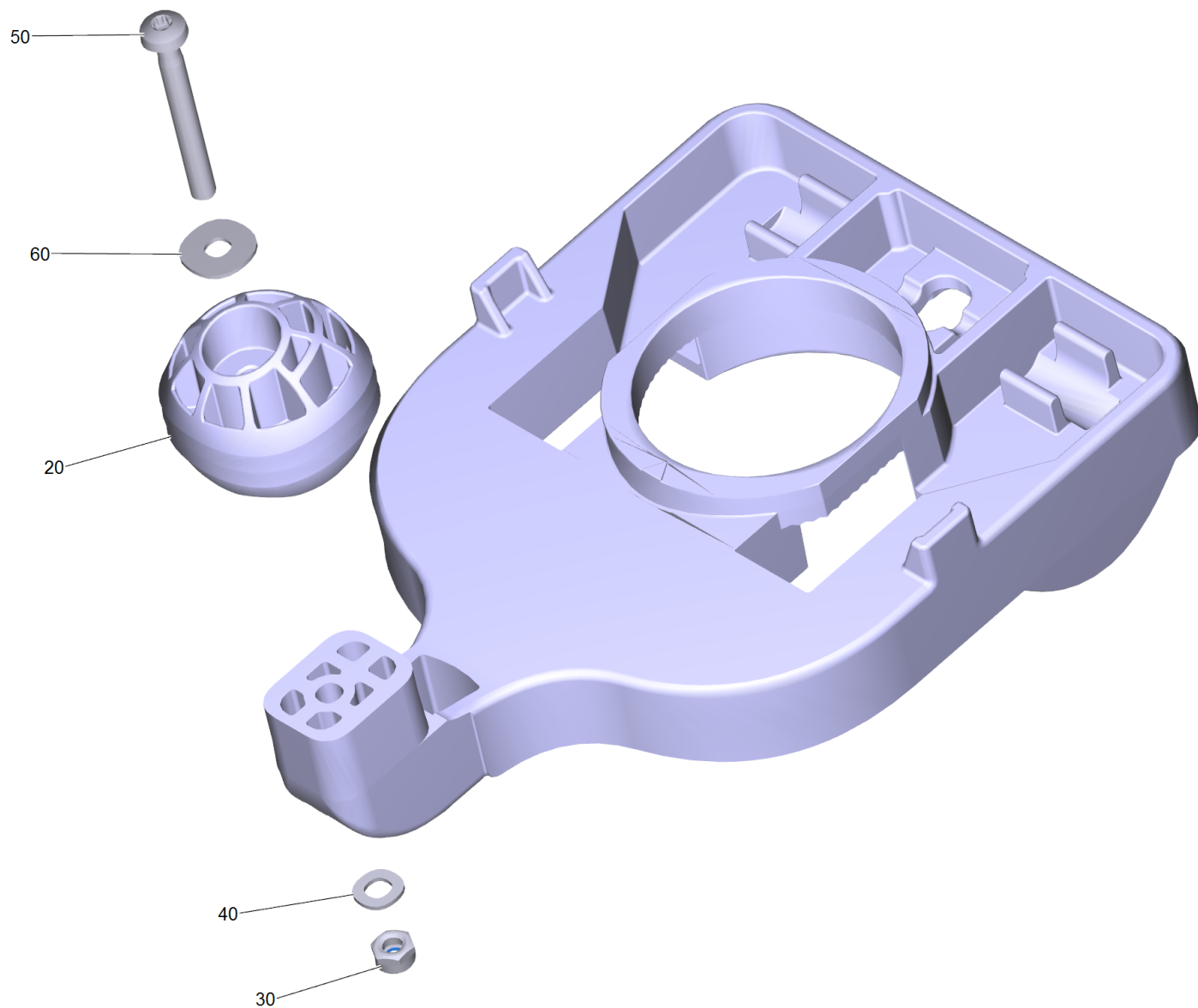
90 Suction bar lifting complete

POS	Article no.	Description	Quantity	Unit	Foot note text
10	7.777-999.0	Stockpiling discontinued	1	PC	VERSION 1
20	5.035-292.0	Adjusting knob suction bar toothing	1	PC	
30	5.035-293.0	Covering cap suction bar toothing	1	PC	
40	7.303-109.0	Screw 5x25 -10.9-R2R (In6Rd)	1	PC	
50	7.777-999.0	Stockpiling discontinued	1	PC	VERSION 1
60	5.036-103.0	Rocker suction bar	1	PC	
70	5.035-382.0	Retaining bracket suction bar	1	PC	
80	6.306-003.0	Screw M5X12-A2/70-ISO 14583 (IN6RD)	2	PC	with microencapsulation
90	7.312-282.0	Washer 5 -A2 ISO 7093-1	2	PC	
100	4.035-583.0	Holder suction bar complete	1	PC	VERSION 2



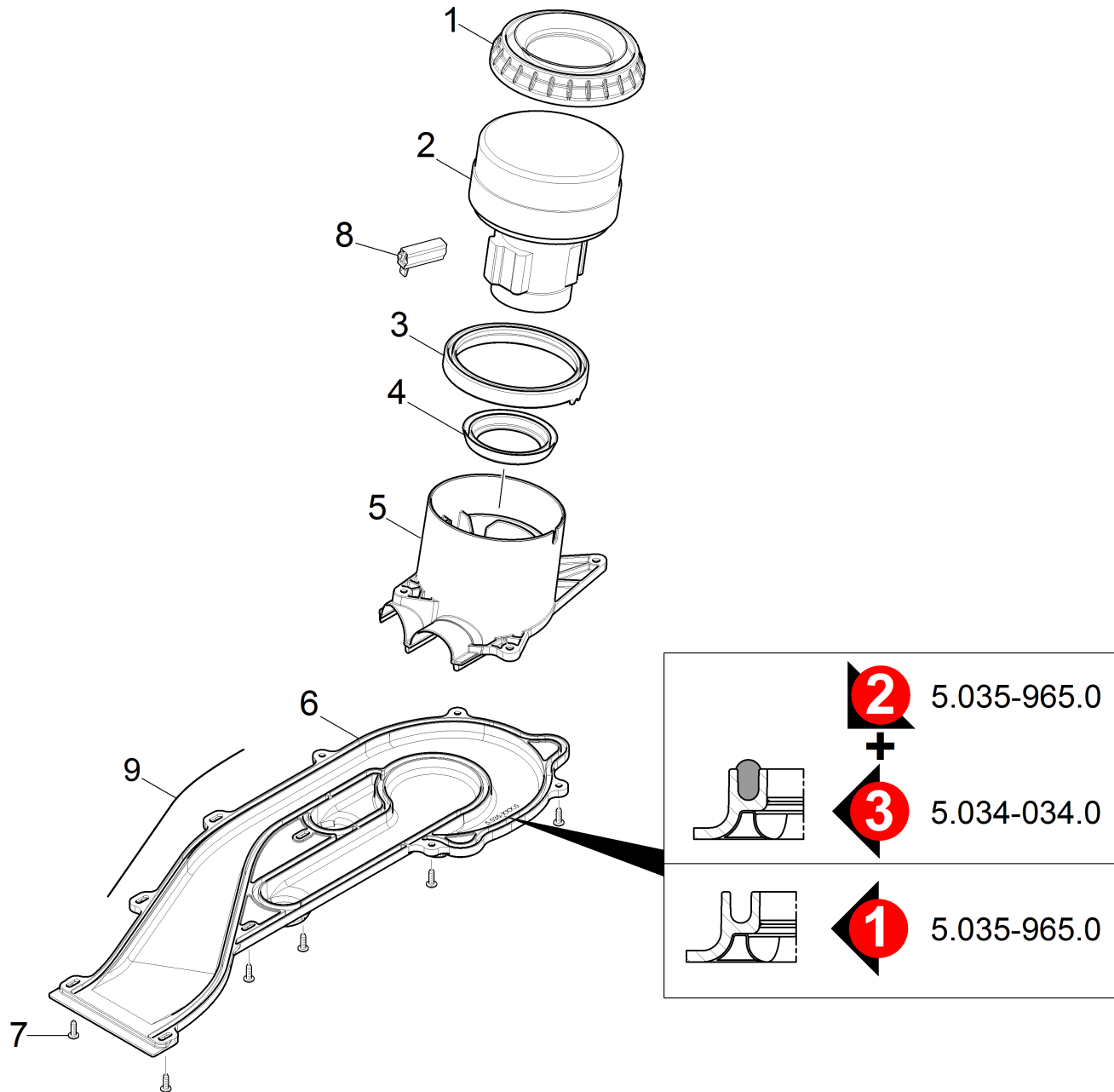
100 Holder suction bar complete (4.035-583.0)

POS	Article no.	Description	Quantity	Unit
10	5.005-005.0	FIXING PLATE SUCTION BAR ALU	1	PC
20	4.037-137.3	Holder suction bar	1	PC



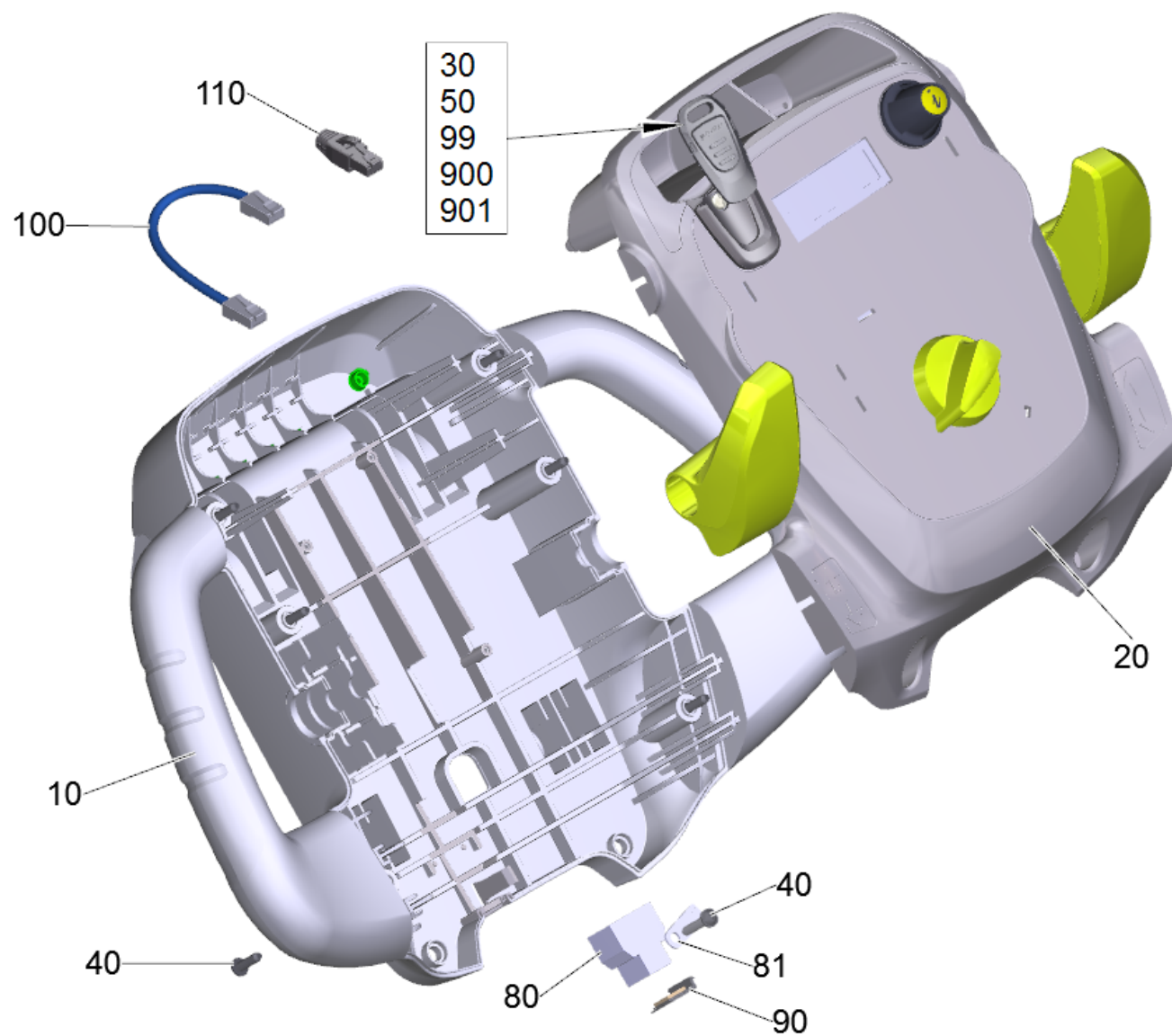
20 Holder suction bar (4.037-137.3)

POS	Article no.	Description	Quantity	Unit
20	5.037-579.0	Sphere suction bar suspension	1	PC
30	7.311-431.0	Hexagon nut M 5-1.4305 DIN 985	1	PC
40	7.312-052.0	Washer 5 -A2 ISO 7089	1	PC
50	7.306-215.0	Screw M5x45 -8.8-P2R (In6Rd)	1	PC
60	7.312-282.0	Washer 5 -A2 ISO 7093-1	1	PC



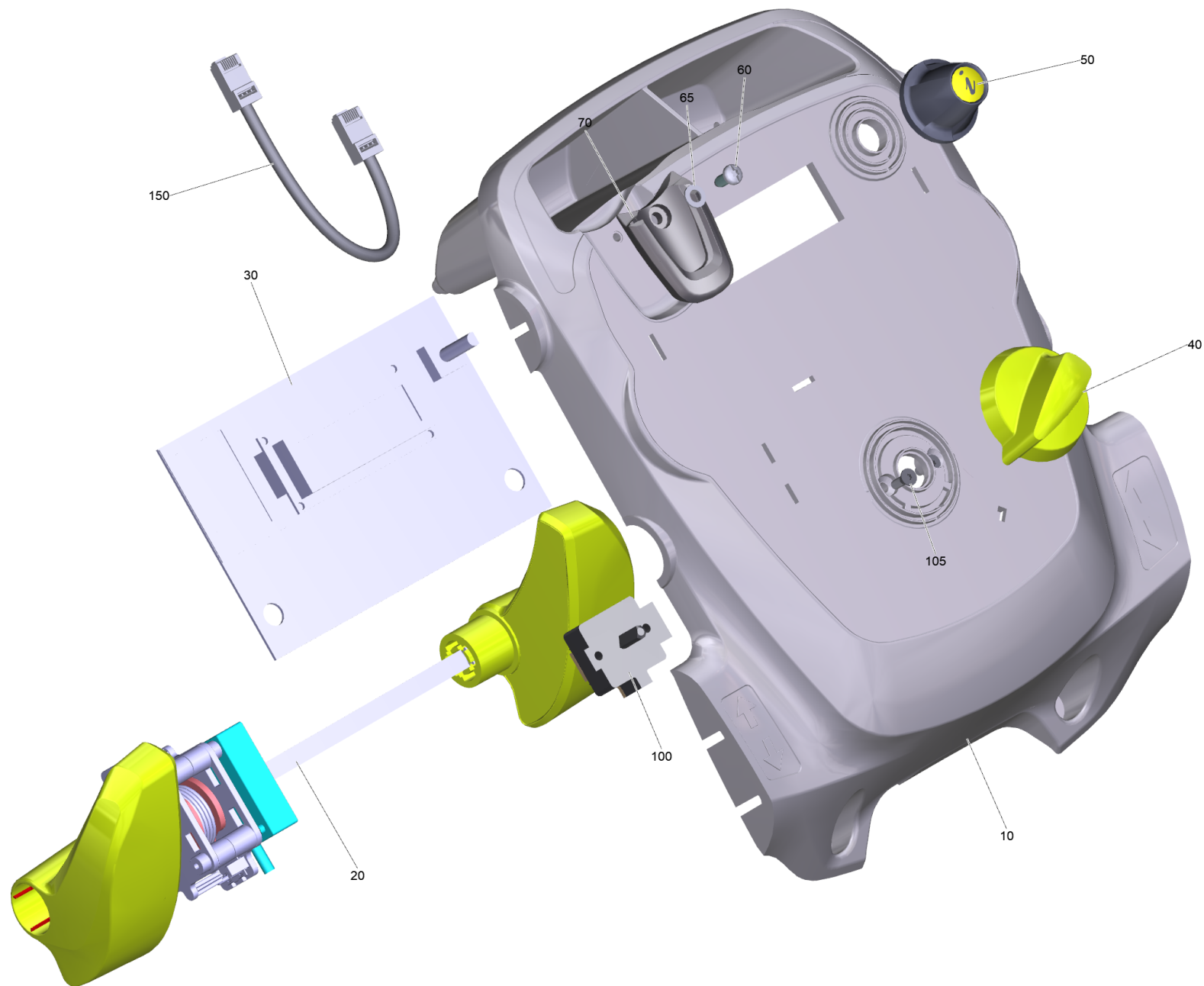
100 Vacuum motor

POS	Article no.	Description	Quantity	Unit	Remark	Foot note text
1	5.035-333.0	Bearing vacuum motor	1	PC		
2	4.035-580.0	Vacuum motor replacement	1	PC		
3	5.035-332.0	Joint ring turbine	1	PC		
4	5.363-395.0	Seal	1	PC		
5	5.034-032.0	Air circulation turbine bottom	1	PC		VERSION 2
5	5.035-964.0	Air circulation bottom turbine	1	PC		VERSION 1
6	4.034-009.0	Air circulation turbine replacement	1	PC		VERSION 2
6	5.034-034.0	Air circulation turbine above foamed	1	PC		VERSION 3
6	7.777-999.0	Stockpiling discontinued	1	PC		VERSION 1
7	7.303-107.0	Screw 5x16 -10.9-P2R (K-In6Rd)	8	PC		
8	6.490-011.0	Carbon brush set	1	PC	24 V	
9	6.273-196.0	Seal string cellular rubber	1	m		TO ORDER AS CUT GOODS



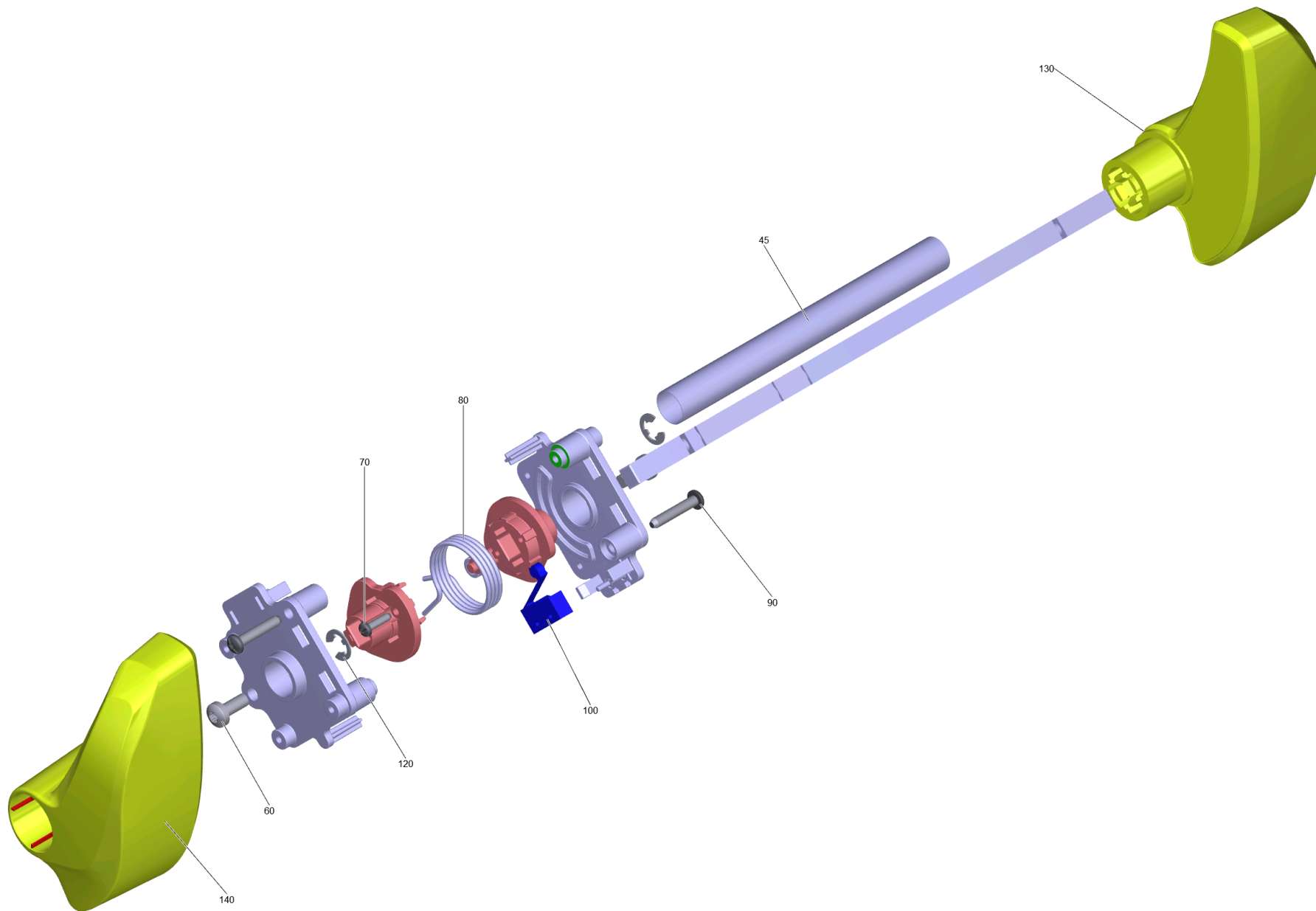
20 Control panel complete BAT C

POS	Article no.	Description	Quantity	Unit	Foot note text
10	4.035-130.0	Housing control panel replacement Bp C	1	PC	WITHOUT SLOT FOR 5.033-829.0
10	5.035-219.0	Housing bottom part control panel	1	PC	WITH SLOT FOR 5.033-829.0
20		Covering cap control panel complete BAT	1	PC	
30	5.035-344.0	Key yellow KIK	1	PC	
40	7.303-108.0	Screw 5x20 -10.9-R2R (In6Rd)	7	PC	
50	5.035-348.0	Key grey KIK	1	PC	
60	4.035-430.0	Cable harness control panel replacement	1	PC	
80	6.330-111.0	Adapter RJ45 Y-Splitter	1	PC	
81	5.035-196.0	Plate stiffener	1	PC	VERSION 2
90	5.033-829.0	Rubber stopper control panel	1	PC	
99	4.035-064.0	Set key white KIK	1	PC	SET WITH 5 PIECES
99	5.035-337.0	Key red KIK	1	PC	
100	6.882-000.0	Cable blue Patch	1	PC	
110	6.640-751.0	Adapter plug at the Y CAN	1	PC	
900	4.035-076.0	Key white KIK	1	PC	
901	4.035-408.0	Set key yellow KIK	1	PC	



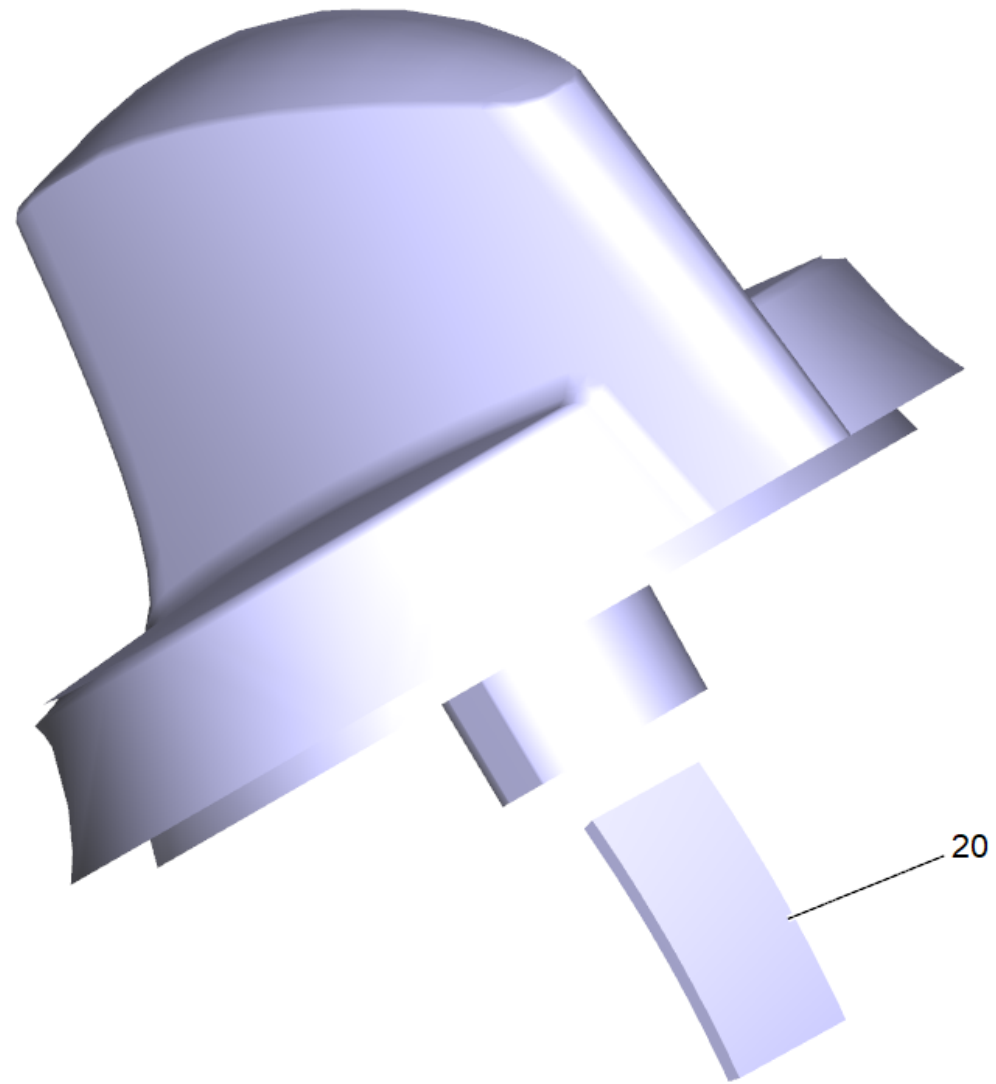
20 Covering cap control panel complete BAT

POS	Article no.	Description	Quantity	Unit	Foot note text
10	4.035-117.0	Covering cap control panel replacement B	1	PC	WITH SLOT FOR 5.033-829.0
10	4.035-412.0	Covering cap control panel foil Bp C	1	PC	WITHOUT SLOT FOR 5.033-829.0
20	4.035-984.0	Tachograph set Bp	1	PC	
30	4.683-310.0	Circuit board replacement C	1	PC	
40	4.035-608.0	Handhold operational concept complete	1	PC	
50	5.321-750.0	Handhold info panel	1	PC	
60	7.303-274.0	Screw 5x12 -A2-70 (In6Rd)	1	PC	
65	7.312-052.0	Washer 5 -A2 ISO 7089	1	PC	
70	5.035-343.0	Guide key	1	PC	
100	4.035-415.0	Switch program selection replacement	1	PC	
105	7.305-036.0	Countersunk screw M4x12 -A2-70-s (IN6RD	2	PC	
150	6.649-933.0	Cable Patch	1	PC	



20 Tachograph set Bp (4.035-984.0)

POS	Article no.	Description	Quantity	Unit	Foot note text
45	6.642-014.0	Insulating hose 13	1	m	TO ORDER AS CUT GOODS
60	7.306-394.0	Screw M5x12 -8.8-ZNBHL ISO 14583	2	PC	
70	6.303-557.0	Screw 3x12 Kombitorx T8	2	PC	
80	6.330-441.0	Torsion spring tachograph	1	PC	
90	7.303-096.0	Screw 4x22-ST-10.9-R2R (IN6RD)	2	PC	
100	6.630-732.0	Switch gold plated	1	PC	
120	7.343-201.0	Lock washer 6-FST-PHR DIN 6799	2	PC	
130	4.035-495.0	Tachograph right complete	1	PC	
140	4.035-496.0	Tachograph left complete	1	PC	

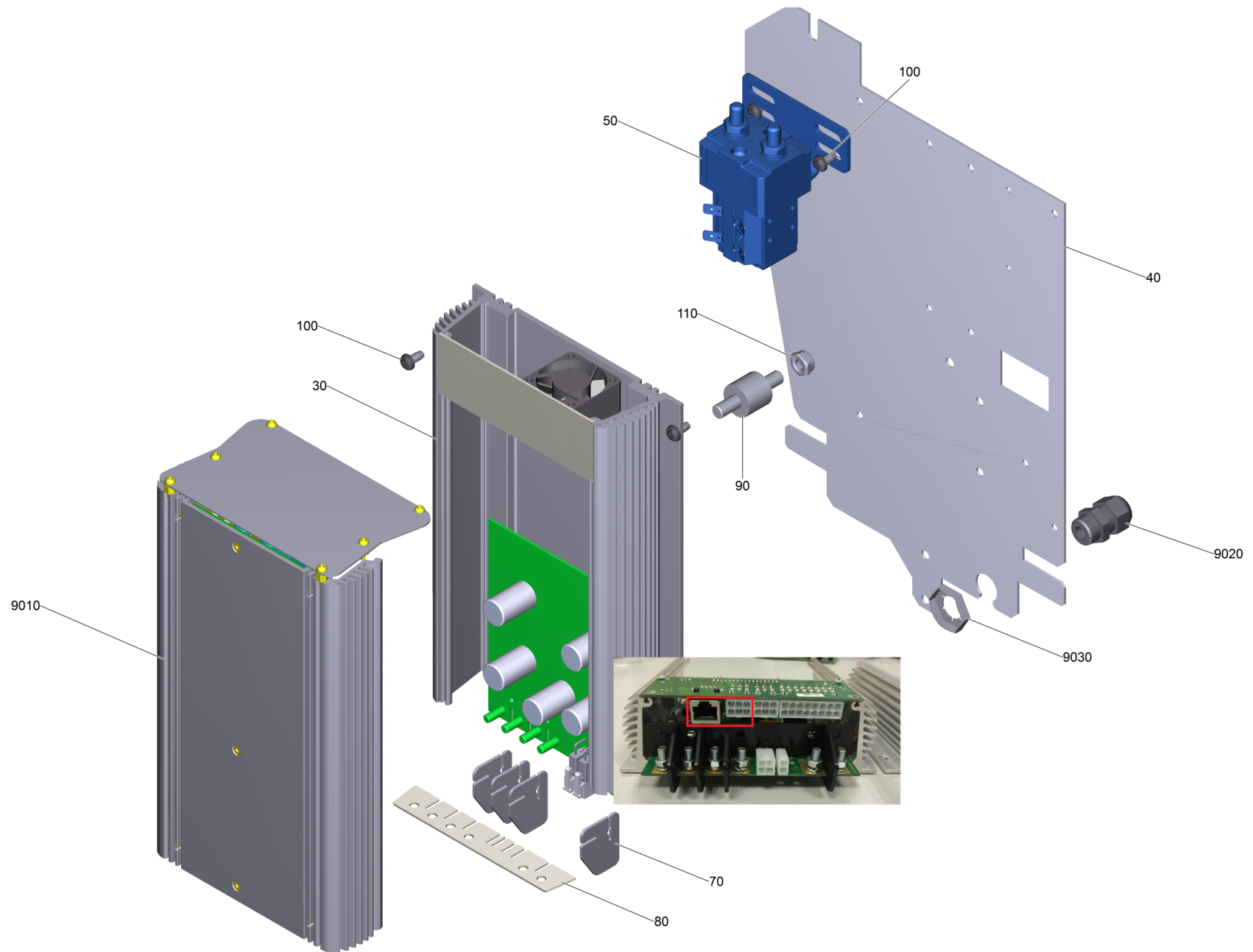


40 Handhold operational concept complete (4.035-608.0)

POS	Article no.	Description	Quantity	Unit
20	6.313-014.0	Spring element	1	PC

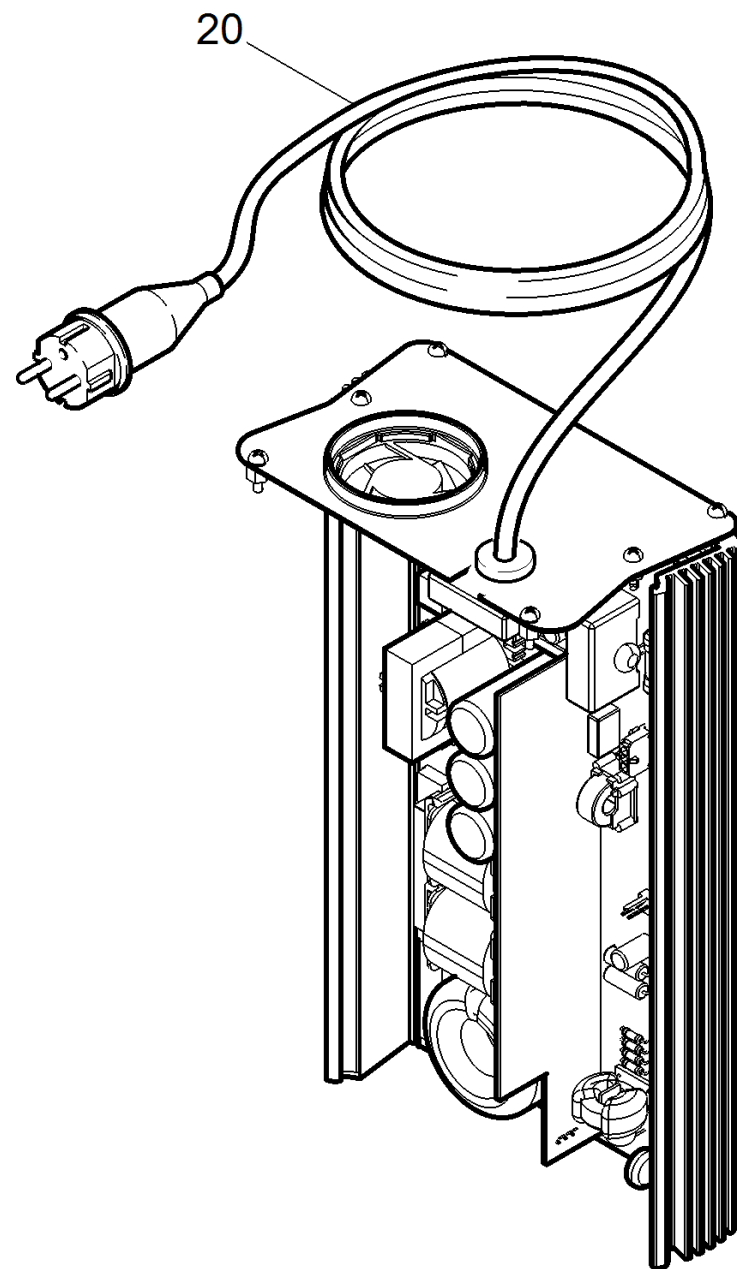
901 Set key yellow KIK (4.035-408.0)

POS	Article no.	Description	Quantity	Unit
10	5.035-344.0	Key yellow KIK	5	PC
20	6.590-355.0	Bag PE 130x140 mm neutral	1	PC
30	6.376-020.0	Label 65X55 MM	1	ZST



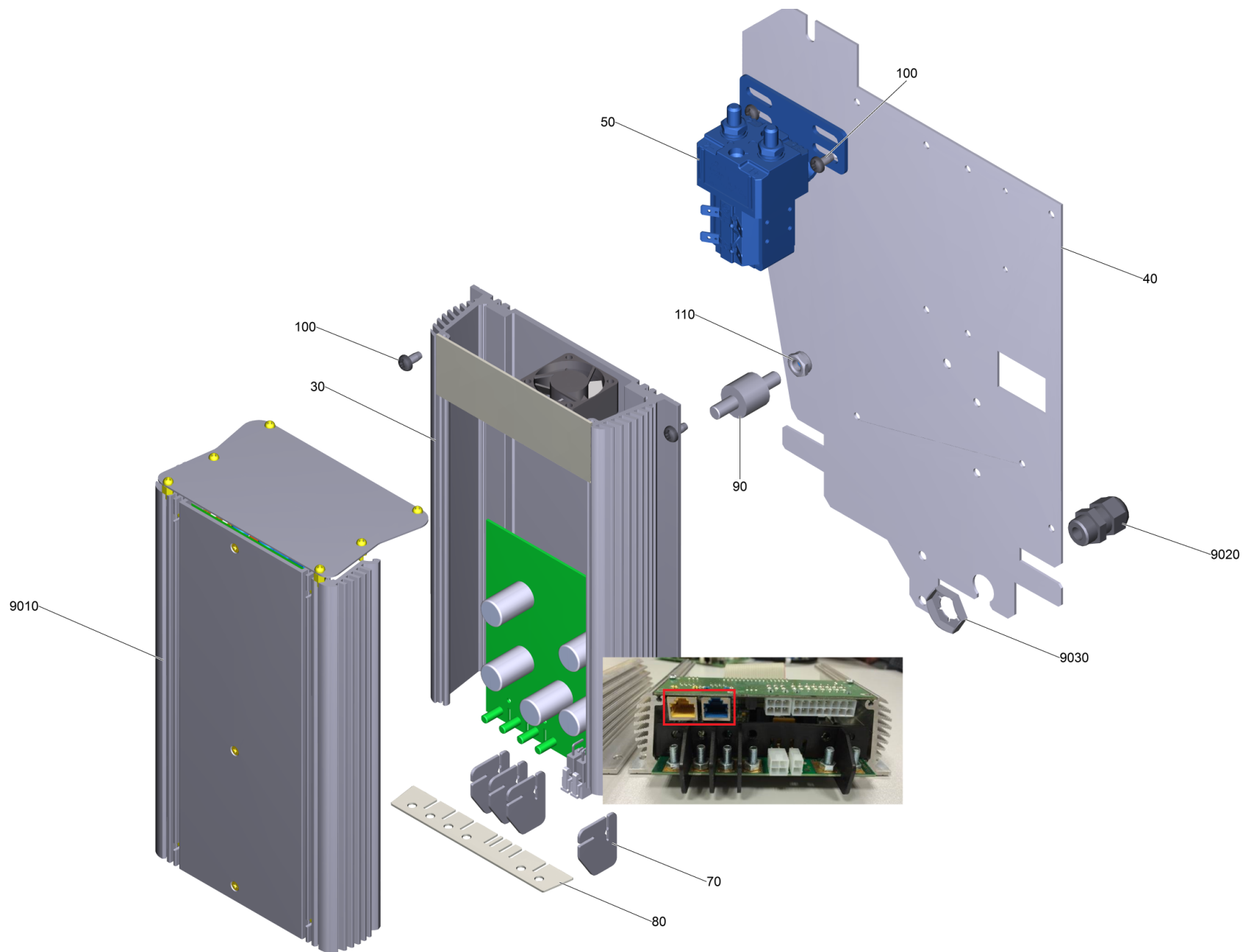
40 Electric equipment B40 C Bp Dose *UL

POS	Article no.	Description	Quantity	Unit
10	4.822-899.0	Cable harness B40 C Bp	1	PC
30	6.683-117.0	Electronics control system replacement B	1	PC
40	5.035-449.0	Plate base plate electronics	1	PC
50	6.633-044.0	Relay 120A	1	PC
50	6.633-389.0	Relay 24VDC / 100A	1	PC
70	5.035-359.0	Moulded part plate electronics klein	4	PC
80	5.035-362.0	Moulded part plate electronics	1	PC
90	6.652-033.0	Isolator	1	PC
100	7.303-037.0	Screw M5x10 -St-P2R (In6Rd)	6	PC
110	7.311-427.0	Hexagon nut M8 -04-A2E DIN 985	1	PC
120	6.648-399.0	Cable gland black M16x1,5	1	PC
130	7.777-999.0	Stockpiling discontinued	1	PC
9000	6.645-554.0	Connecting cable control system battery charger	1	PC
9010	6.654-336.0	Battery charger replacement B 40 USA	1	PC
9010	6.683-119.0	Battery charger replacement B 40 *EU	1	PC
9020	6.648-399.0	Cable gland black M16x1,5	1	PC
9030	7.777-999.0	Stockpiling discontinued	1	PC



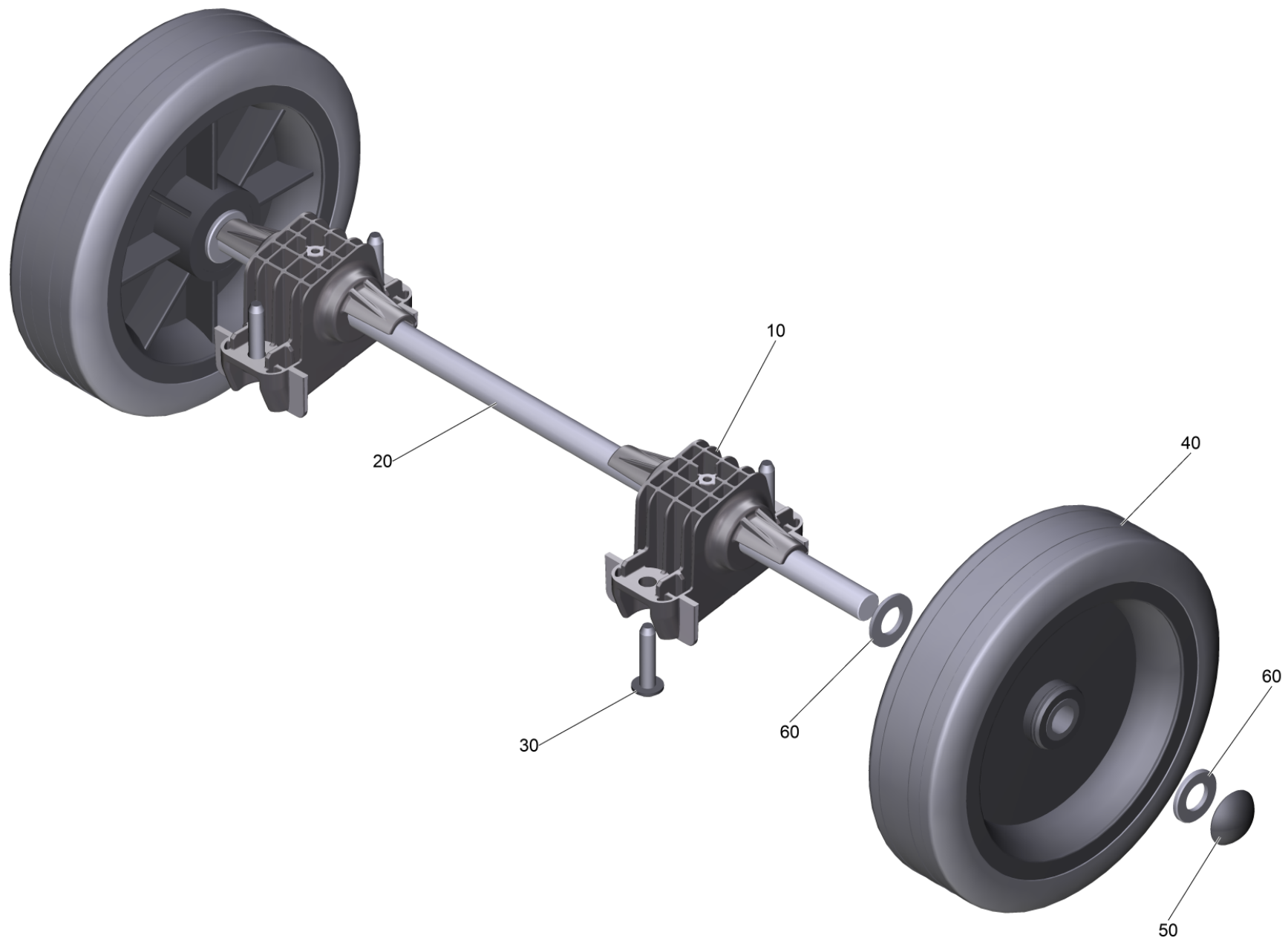
9010 Battery charger replacement B 40 *EU (6.683-119.0)

POS	Article no.	Description	Quantity	Unit	Remark
20	6.645-553.0	Cable with plug	1	PC	*EU
20	6.645-586.0	Cable with plug B40-USA	1	PC	*US



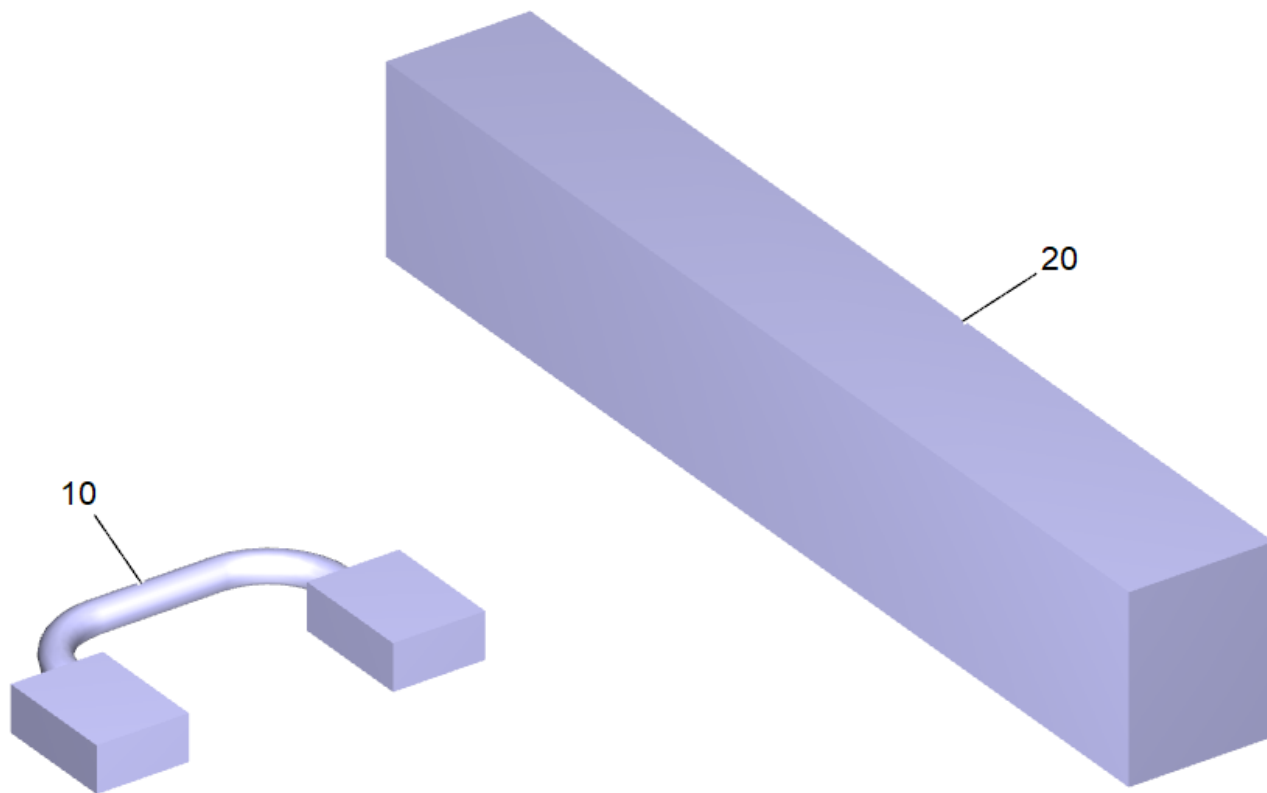
40 Electric equipment B 40 C Bp Dose US CAN

POS	Article no.	Description	Quantity	Unit
10	4.822-899.0	Cable harness B40 C Bp	1	PC
30	4.683-074.0	Electronics control system replacement B	1	PC
40	5.035-449.0	Plate base plate electronics	1	PC
50	4.633-110.0	Relay replacement set	1	PC
70	5.035-359.0	Moulded part plate electronics klein	4	PC
80	5.035-362.0	Moulded part plate electronics	1	PC
90	6.652-033.0	Isolator	1	PC
100	7.303-037.0	Screw M5x10 -St-P2R (In6Rd)	6	PC
110	7.311-427.0	Hexagon nut M8 -04-A2E DIN 985	1	PC
9000	6.645-554.0	Connecting cable control system battery charger	1	PC
9010	6.654-336.0	Battery charger replacement B 40 USA	1	PC
9020	6.648-399.0	Cable gland black M16x1,5	1	PC
9030	7.777-999.0	Stockpiling discontinued	1	PC



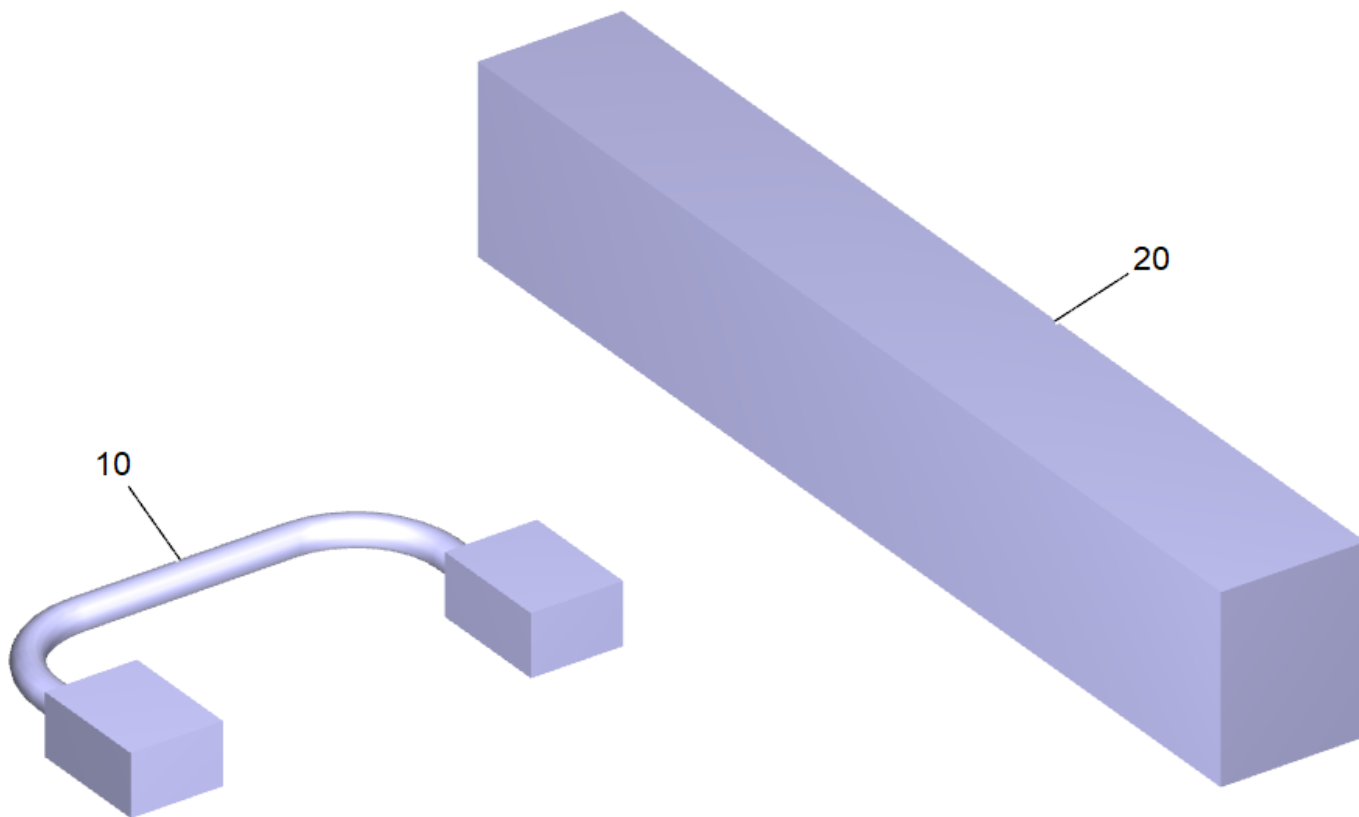
70 Axle complete

POS	Article no.	Description	Quantity	Unit
10	5.035-352.0	Holder axle	2	PC
20	5.035-360.0	Wheel axle carriage	1	PC
30	6.303-315.0	Screw 8 x 35	4	PC
40	6.435-412.0	Wheel D 200	2	PC
50	6.343-240.0	Lock washer	2	PC
60	7.312-028.0	Washer 14-200HV-A3E ISO7089	4	PC



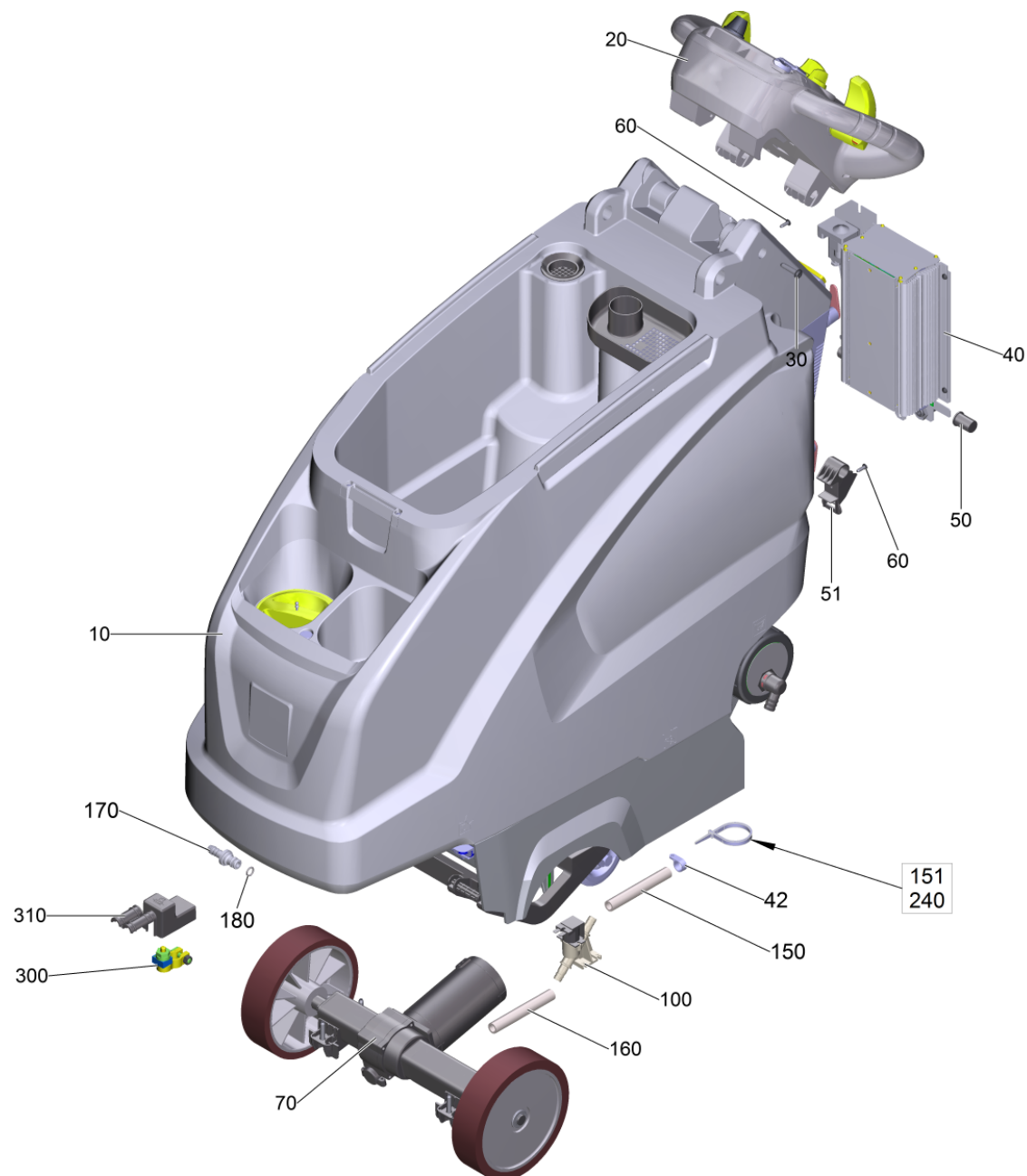
9523 Mounting kit battery kit (2.638-036.0)

POS	Article no.	Description	Quantity	Unit
10	6.649-879.0	Cable battery 25 mm ² . 160 mm	1	PC
20	5.642-021.0	Distance holder battery	1	PC



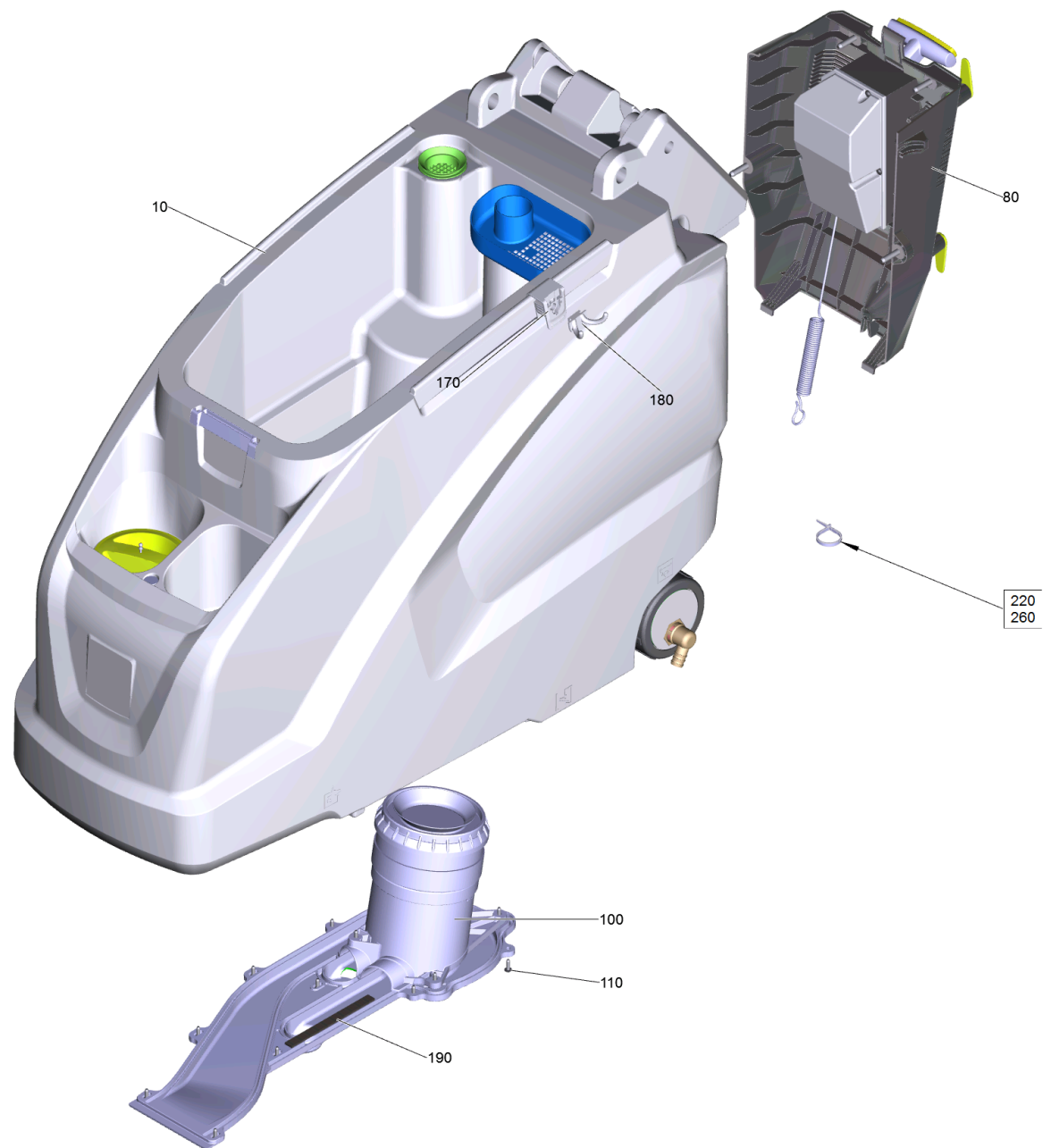
9531 Mounting kit battery kit (2.638-059.0)

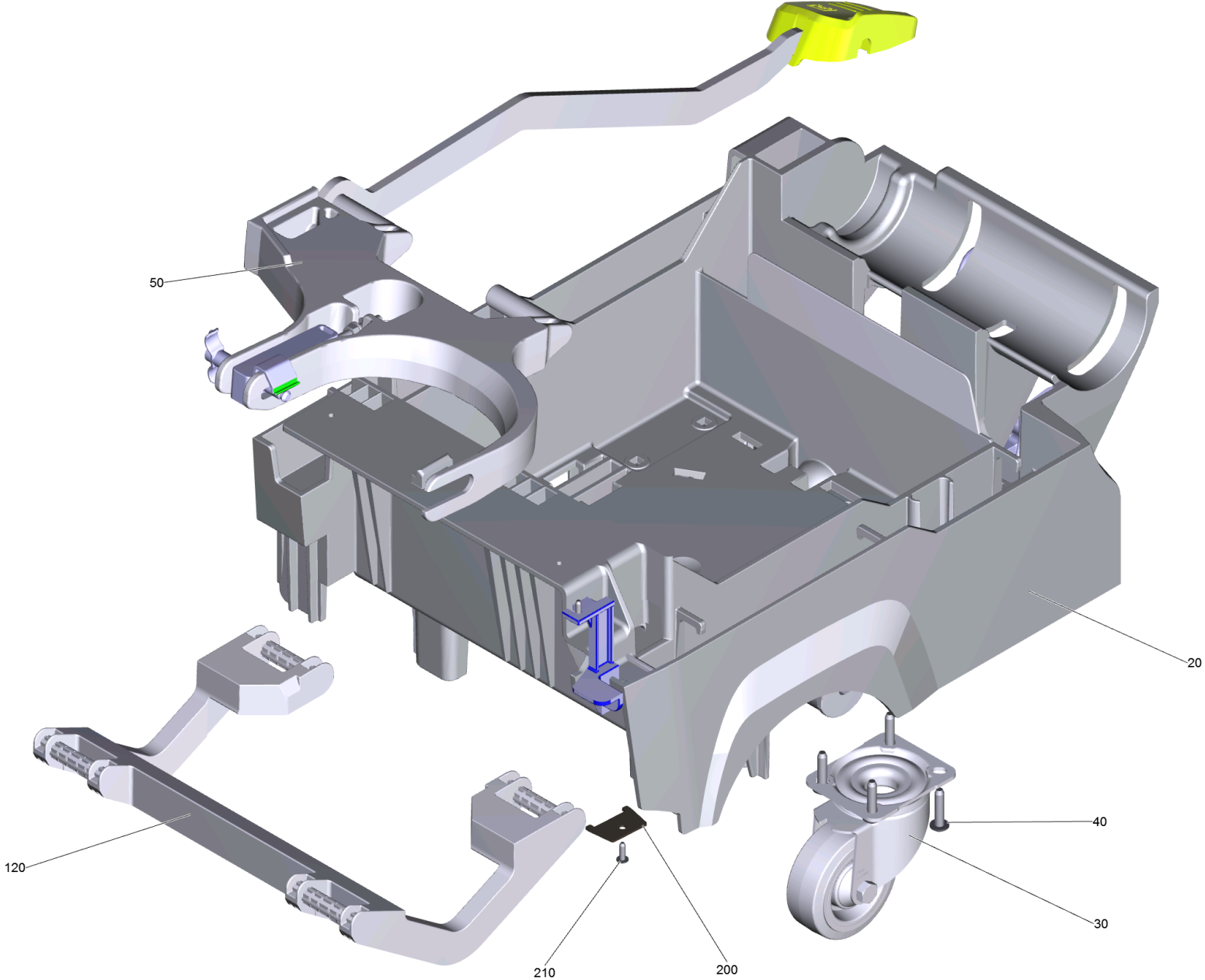
POS	Article no.	Description	Quantity	Unit
10	6.649-601.0	Cable battery short Hoppecke	1	PC
20	5.642-021.0	Distance holder battery	1	PC

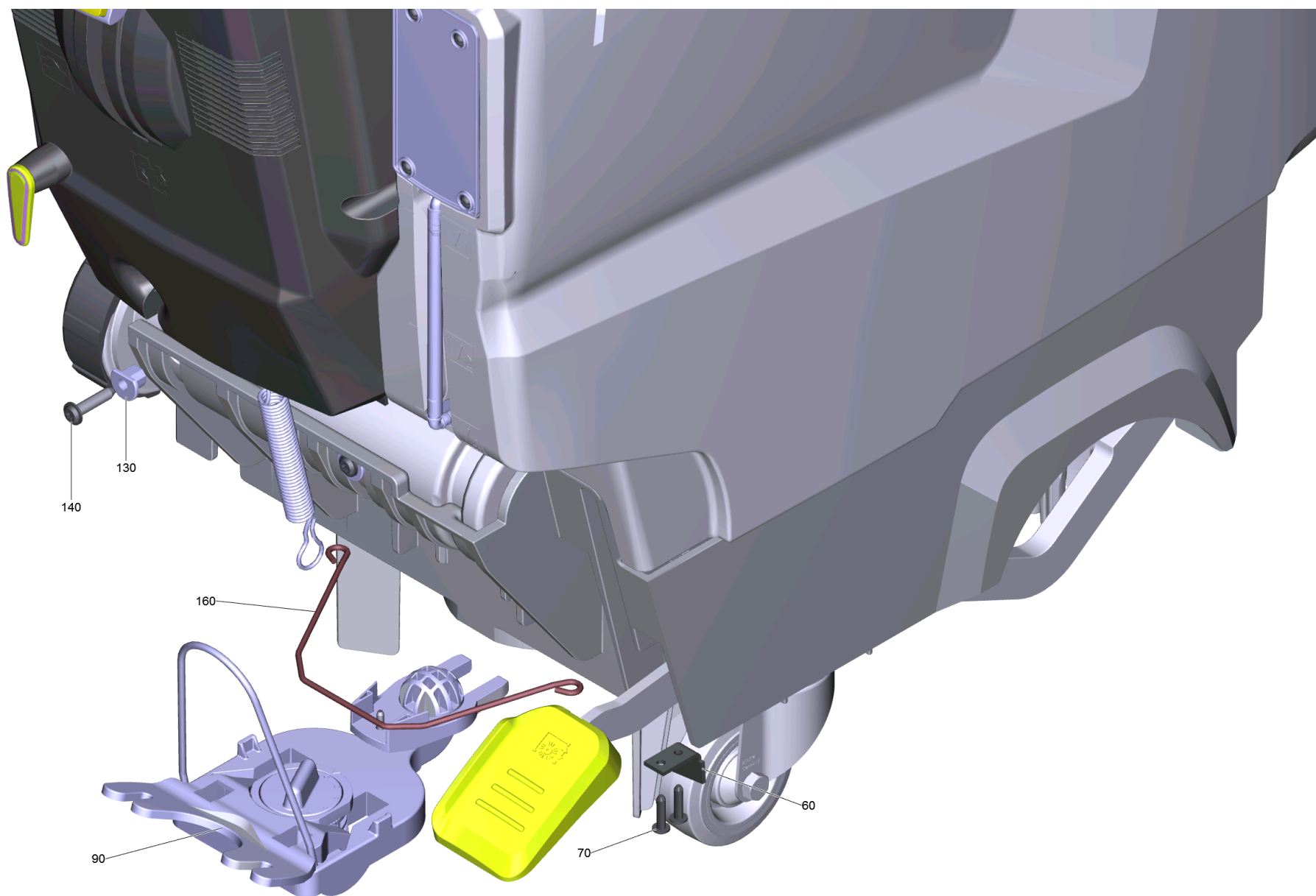


80 B 40 W Bp *UL (2.533-207.0)

POS	Article no.	Description	Quantity	Unit	Foot note text
10		Basic machinery B 40	1	PC	
20		Control panel complete BAT W	1	PC	
30	6.303-315.0	Screw 8 x 35	4	PC	
40		Electric equipment B40 W Bp Dose	1	PC	OLD VERSION
40		Electric equipment B 40 W Bp Dose US Can	1	PC	NEW VERSION
42	6.373-877.0	Hose clip	1	PC	
50	5.035-450.0	Bearing bush electronics	2	PC	
51	5.035-433.0	Adapter	2	PC	
60	7.303-107.0	Screw 5x16 -10.9-P2R (K-In6Rd)	4	PC	
70		Gear complete B 40 W	1	PC	
100	6.472-007.3	Solenoid valve 24 V	1	PC	
150	6.390-892.0	Spiral hose NW12	1	m	TO ORDER AS CUT GOODS
151	6.641-474.0	Cable tape 8-210	4	PC	
160	6.390-892.0	Spiral hose NW12	1	m	TO ORDER AS CUT GOODS
170	5.443-375.0	Hose stem	1	PC	
180	6.362-170.0	O-Ring seal 11,3 X 2,4-NBR 70	1	PC	
240	6.641-463.0	Cable tape	1	PC	
300	6.644-618.0	Pole binder	1	PC	
310	5.394-852.0	Covering cap battery terminal	1	PC	
1000		Documentation W Bp *UL	1	PC	
9520	2.815-099.0	Battery kit Gel 2x 12V/76Ah	1	SET	
9521	2.815-100.0	Battery kit Gel 2x 12V/105Ah	1	SET	
9522	2.815-090.0	Battery kit AGM 2x 12V/80Ah	1	SET	
9523	2.638-036.0	Mounting kit battery kit	1	PC	
9530	2.815-091.0	Battery kit AGM 2x 12V/115Ah	1	SET	
9531	2.638-059.0	Mounting kit battery kit	1	PC	

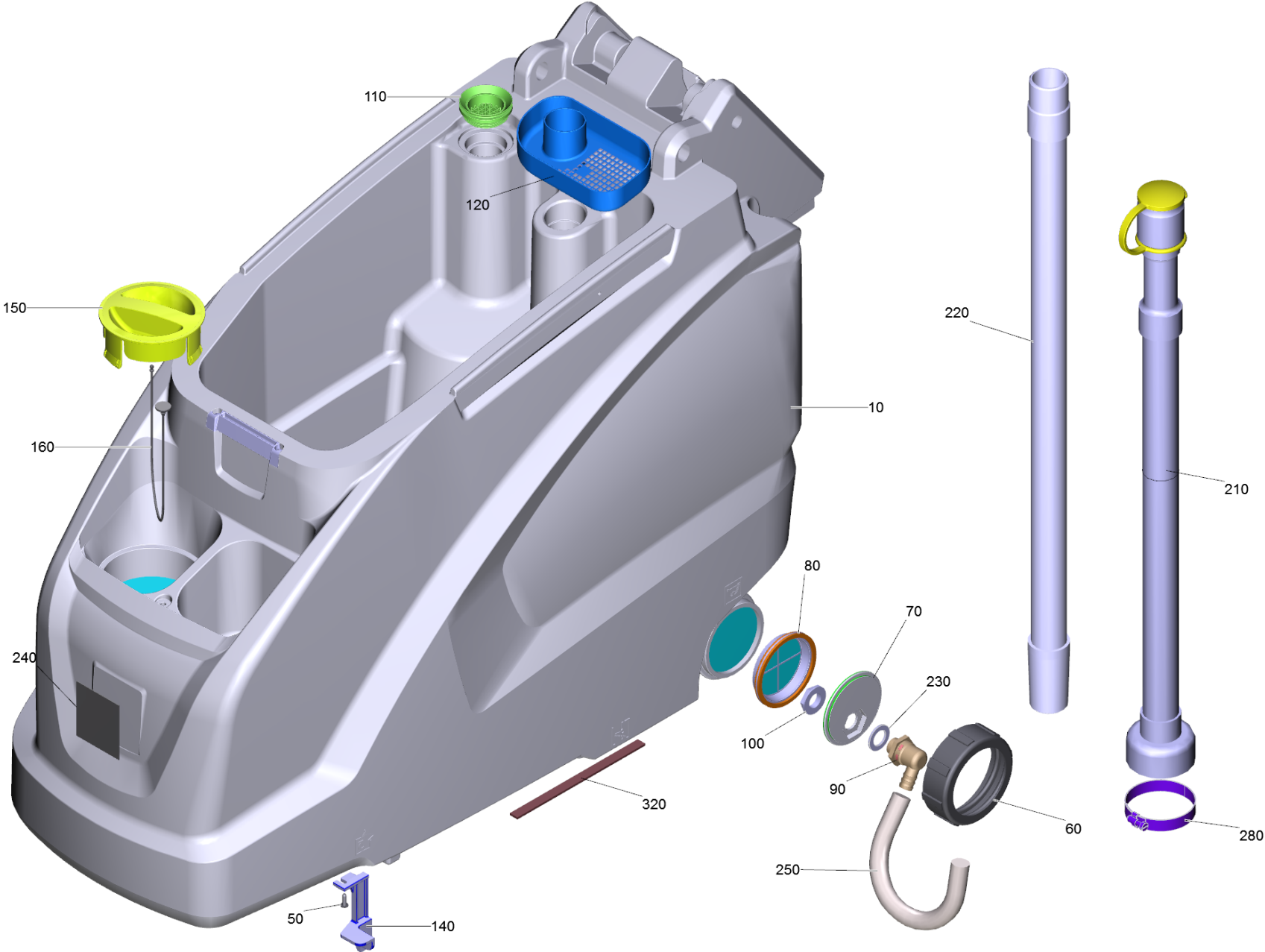


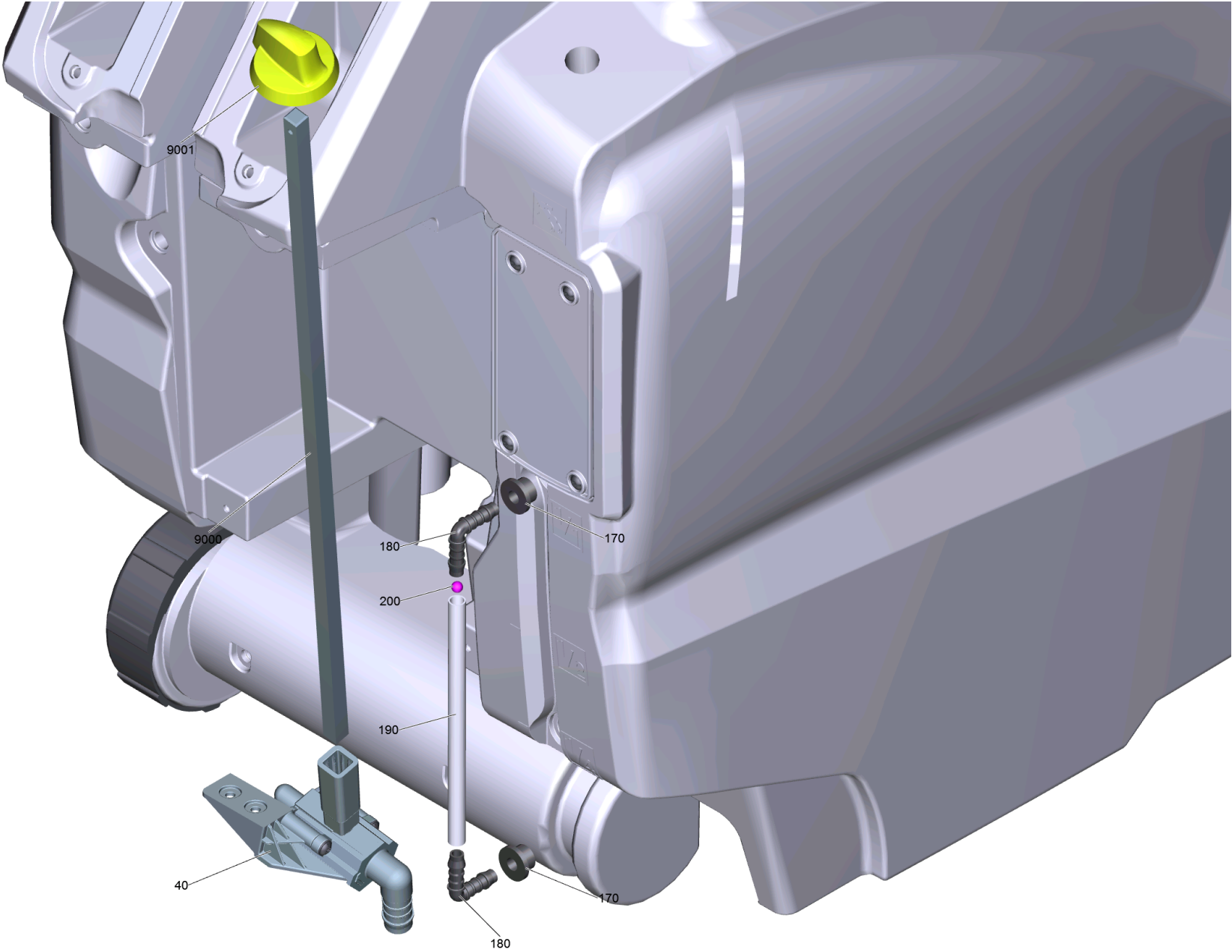


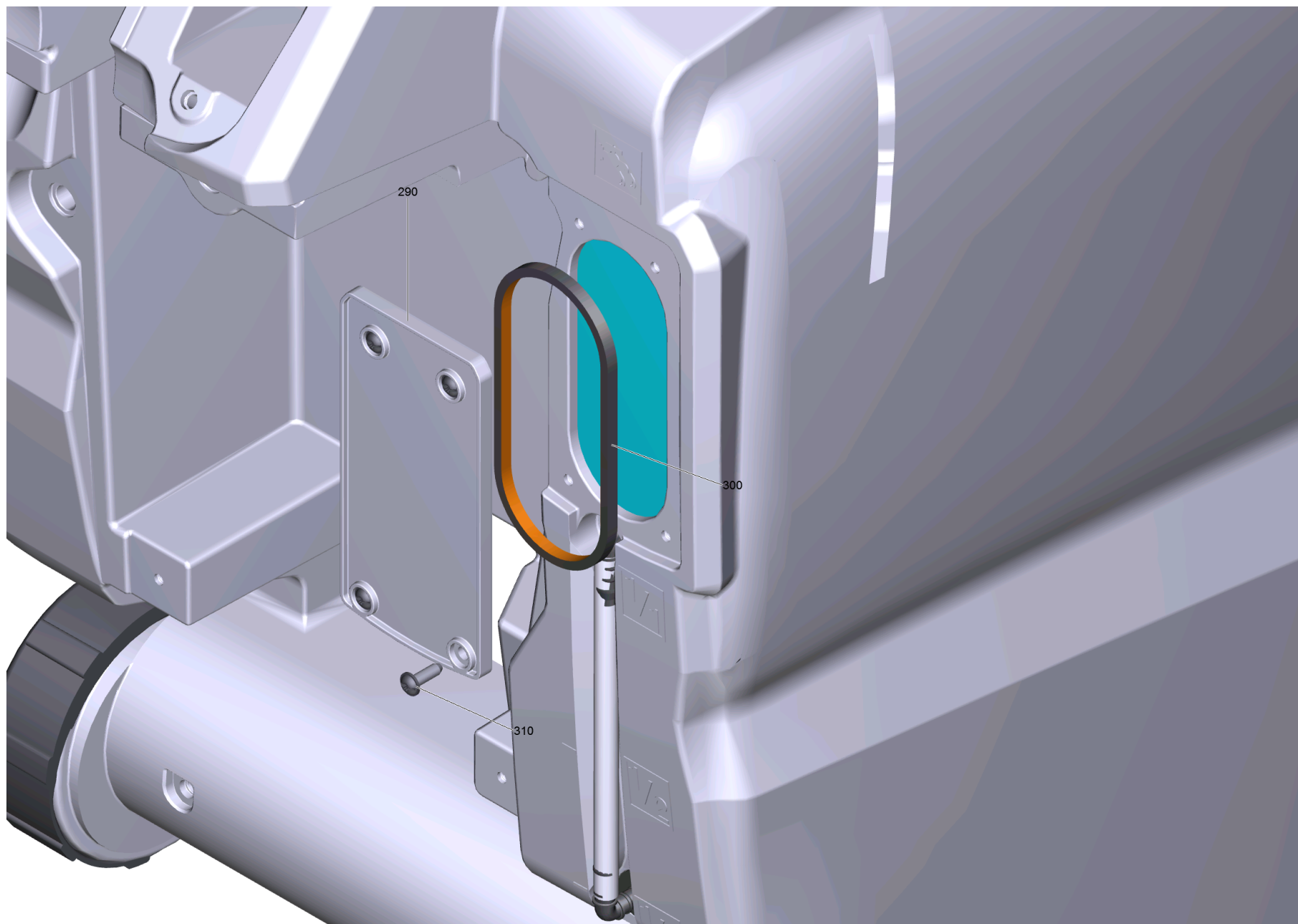


10 Basic machinery B 40

POS	Article no.	Description	Quantity	Unit	Foot note text
10	4.035-335.0	Tank complete	1	PC	
20	5.035-350.0	Frame B40	1	PC	
30	6.435-011.3	Castor	2	PC	
40	6.303-315.0	Screw 8 x 35	8	PC	
50		Suspension brush-head complete	1	PC	
60	5.035-361.0	Sheet metal component	1	PC	
70	7.303-109.0	Screw 5x25 -10.9-R2R (In6Rd)	2	PC	
80		Covering cap rear complete	1	PC	
90		Suction bar lifting complete	1	PC	
100		Vacuum motor	1	PC	
110	7.303-107.0	Screw 5x16 -10.9-P2R (K-In6Rd)	13	PC	
120	5.035-334.0	Retaining bracket connecting rod	1	PC	
130	5.035-522.0	Sleeve	3	PC	
140	6.303-315.0	Screw 8 x 35	3	PC	
160	5.035-440.0	Wire spring	1	PC	
170	5.035-488.0	Adapter Homebase	1	PC	
180	6.980-077.0	Double hook	1	PC	
190	6.273-090.0	Sealing tape 13x3	1	m	TO ORDER AS CUT GOODS
200	5.035-726.0	Plate	1	PC	
210	7.303-107.0	Screw 5x16 -10.9-P2R (K-In6Rd)	1	PC	
220	6.641-465.0	Cable tape	1	PC	
260	6.647-081.0	Cable tape	1	PC	

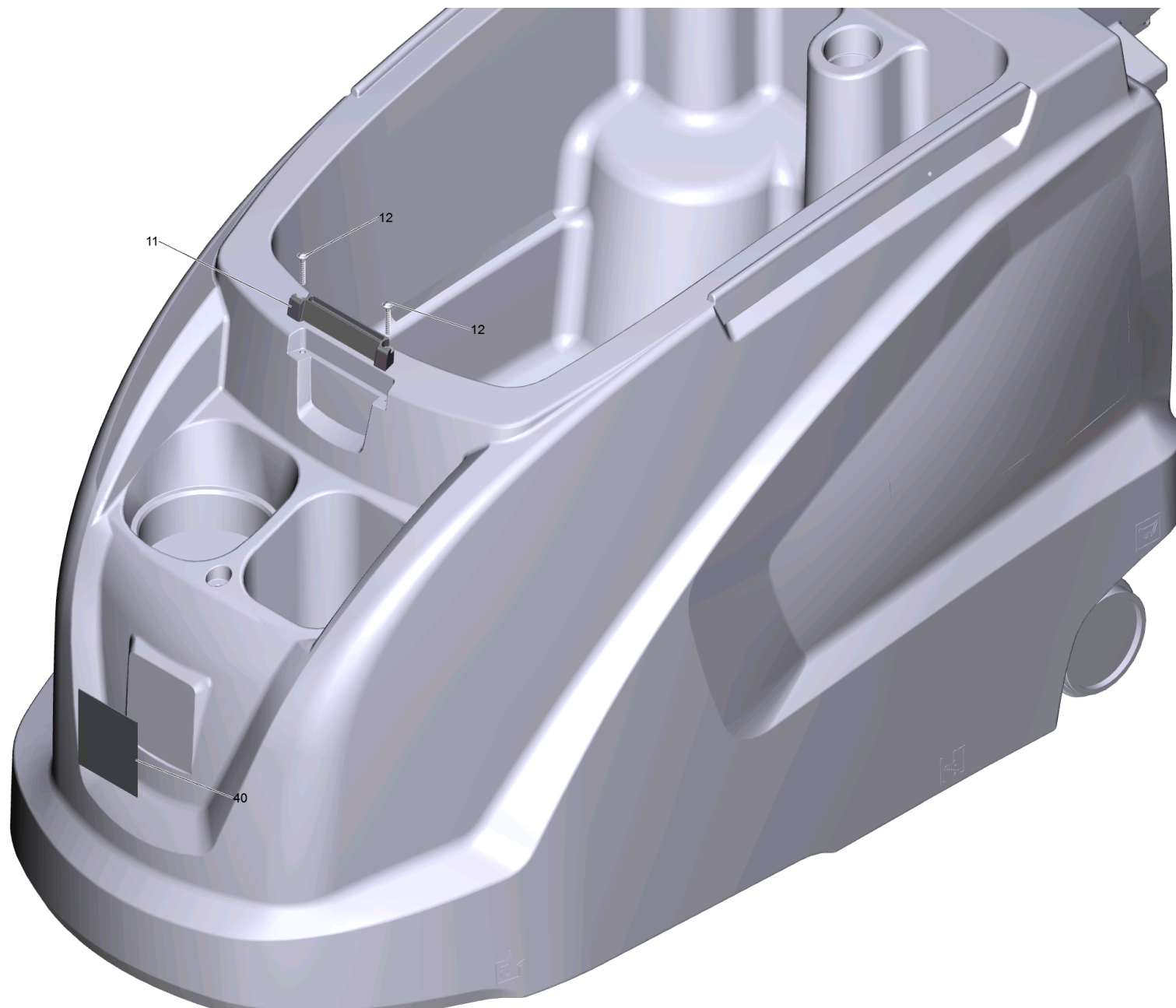






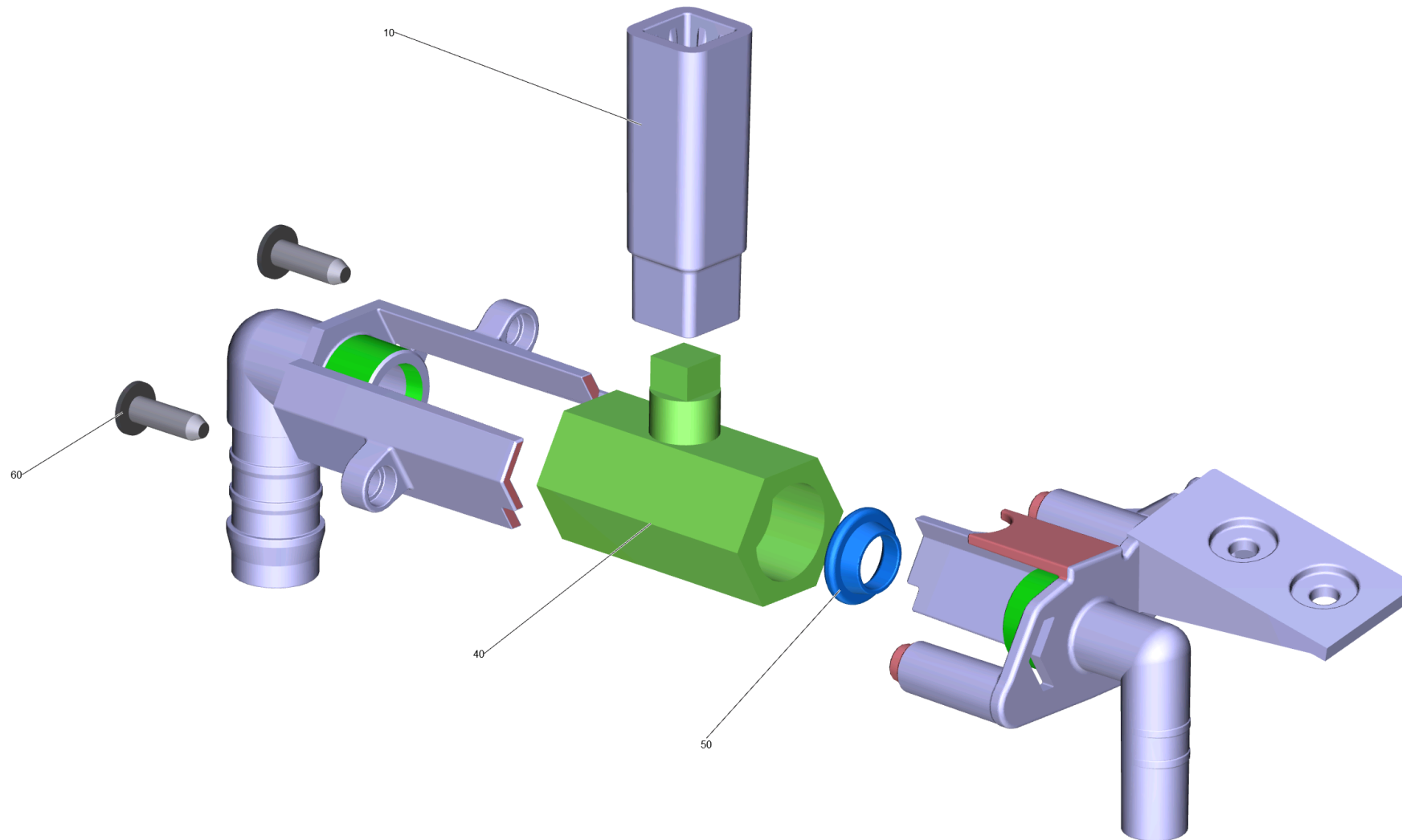
10 Tank complete (4.035-335.0)

POS	Article no.	Description	Quantity	Unit	Foot note text
10	4.035-429.0	Tank replacement B40	1	PC	
40	4.035-426.0	Ball valve complete replacement	1	PC	
50	7.303-107.0	Screw 5x16 -10.9-P2R (K-In6Rd)	3	PC	
60	5.035-341.0	Cover fresh water tank discharge	1	PC	
70	5.035-342.0	Hose connection fresh water discharge	1	PC	
80	5.035-376.0	Filter discharge	1	PC	
90	6.395-163.3	Angle bushing G1-2	1	PC	
100	6.310-004.0	Hexagon nut G 1/2"	1	PC	
110	5.515-266.0	Joint ring fluffing strainer	1	PC	
120	5.036-932.0	Tank bulk waste yellow	1	PC	
140	5.035-435.0	Tank locking part	1	PC	
150	5.034-099.0	Cover fresh water metering RM	1	PC	
160	5.035-358.0	Mounting rope cover fresh water tank	1	PC	
170	5.035-608.0	Wire protecting sleeve	2	PC	
180	6.391-913.0	Elbow nipple	2	PC	
190	5.035-328.0	Silicon hose level indicator	1	PC	
200	6.035-072.0	Sphere level indicator D6	1	PC	
210	4.035-285.0	Drain hose with cover PU	1	PC	OIL RESISTANT
220	6.392-471.0	Suction hose PU DN32	1	PC	
230	5.515-253.0	Seal D34	1	PC	
240	5.394-081.0	Label signet gel 78x86	1	PC	
250	6.390-324.0	Hose DN16	1	m	TO ORDER AS CUT GOODS
280	6.388-767.0	Hose clip 70- 90	1	PC	
290	4.035-370.0	Screen filling system	1	PC	
300	5.035-418.0	Seal fixing plate	1	PC	
310	7.303-107.0	Screw 5x16 -10.9-P2R (K-In6Rd)	4	PC	
320	6.273-043.0	Sealing tape cellularrubber 9x4	1	m	TO ORDER AS CUT GOODS
9000	5.035-369.0	Bar	1	PC	
9001	5.035-404.0	Handle	1	PC	



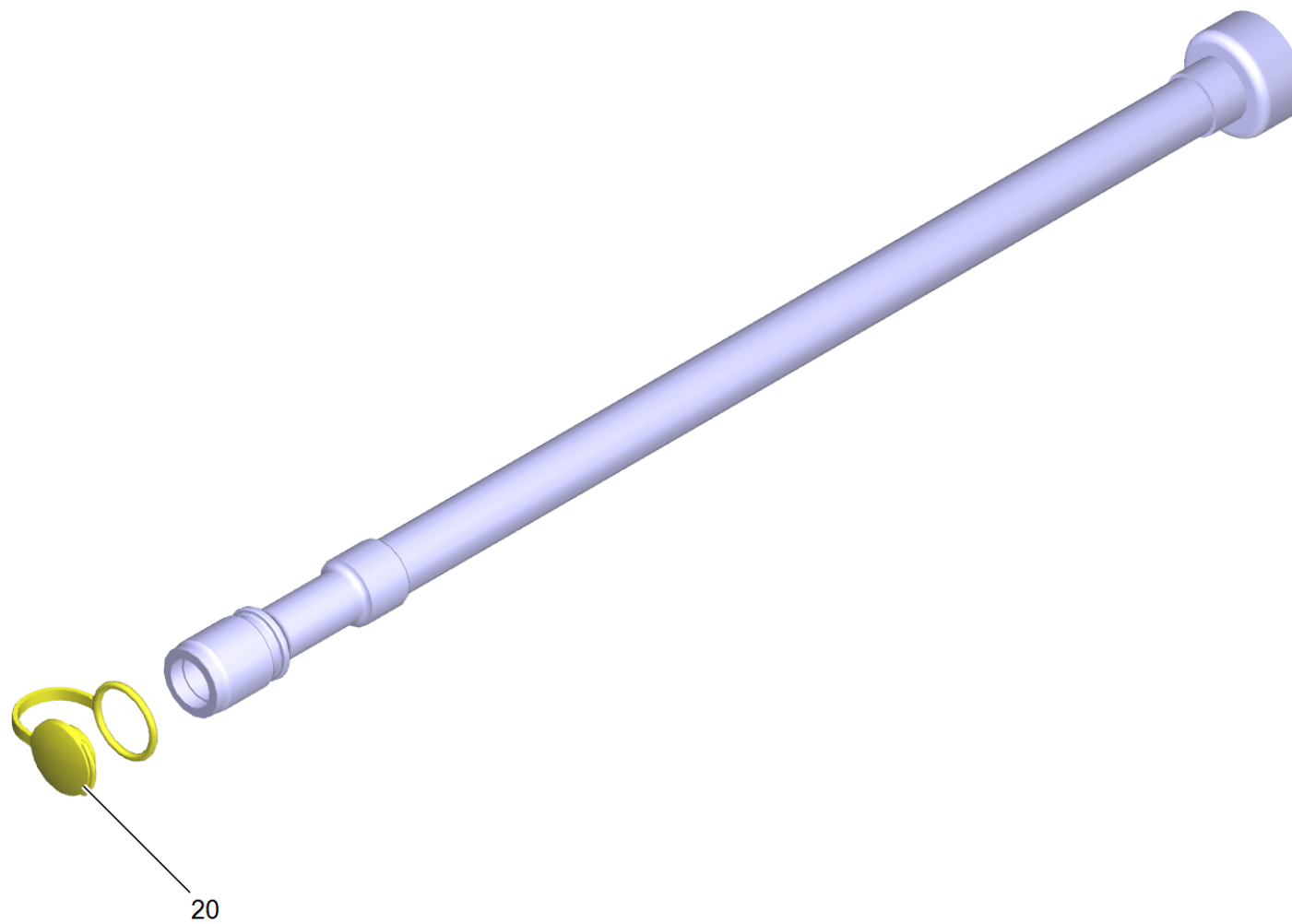
10 Tank replacement B40 (4.035-429.0)

POS	Article no.	Description	Quantity	Unit
11	5.035-482.0	Add-on part tank cover	1	PC
12	7.303-086.0	Screw 5x30 -10.9-R2R (K-In6Rd)	2	PC
40	5.394-081.0	Label signet gel 78x86	1	PC



40 Ball valve complete replacement (4.035-426.0)

POS	Article no.	Description	Quantity	Unit
10	5.035-459.0	Coupler piece ball valve	1	PC
40	6.413-586.0	Ball valve without handhold	1	PC
50	5.035-770.0	Seal ball valve	2	PC
60	7.303-107.0	Screw 5x16 -10.9-P2R (K-In6Rd)	2	PC

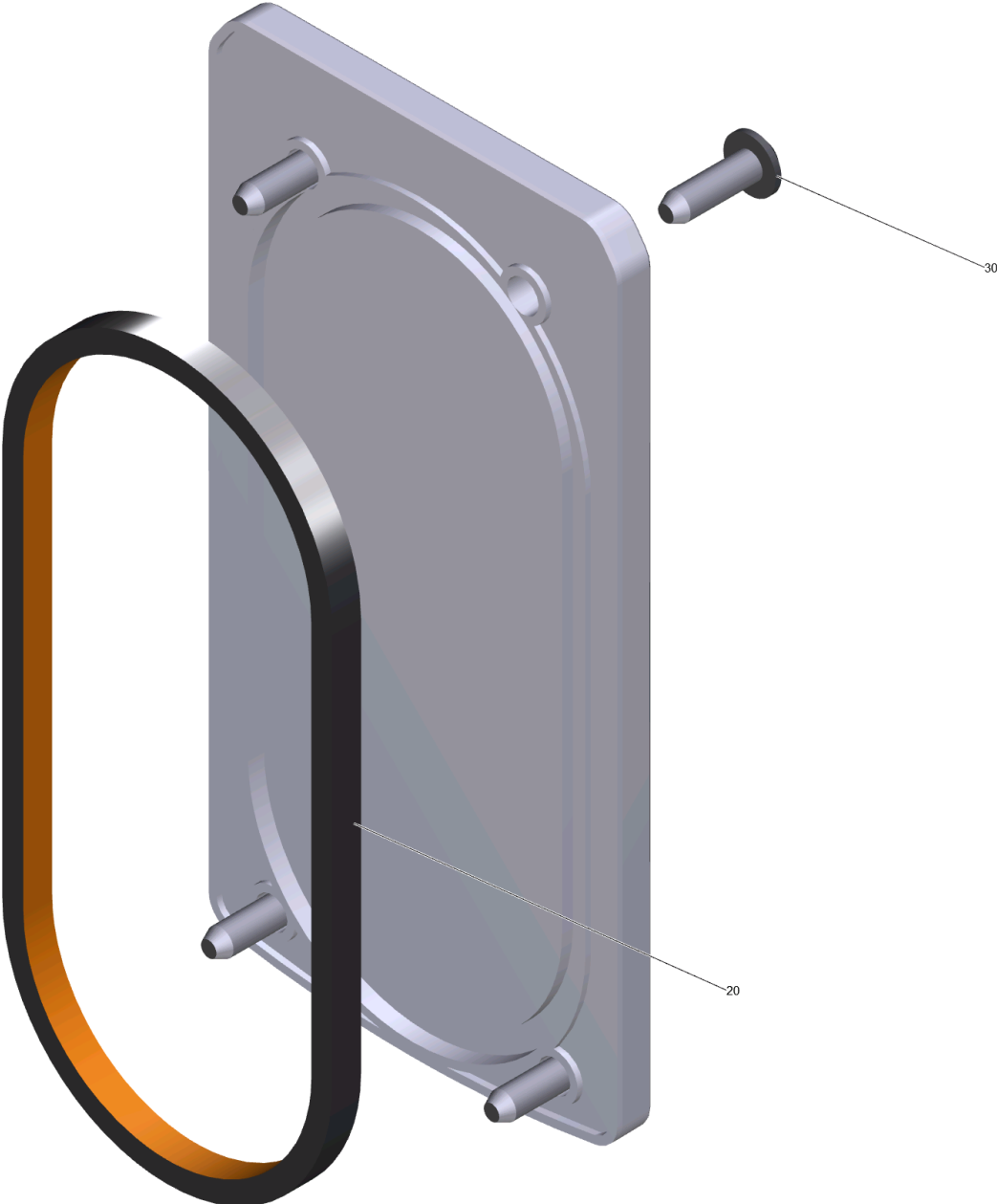


210 Drain hose with cover PU (4.035-285.0)

POS	Article no.	Description	Quantity	Unit
20	5.036-249.0	Cover plate drain hose yellow PU	1	PC

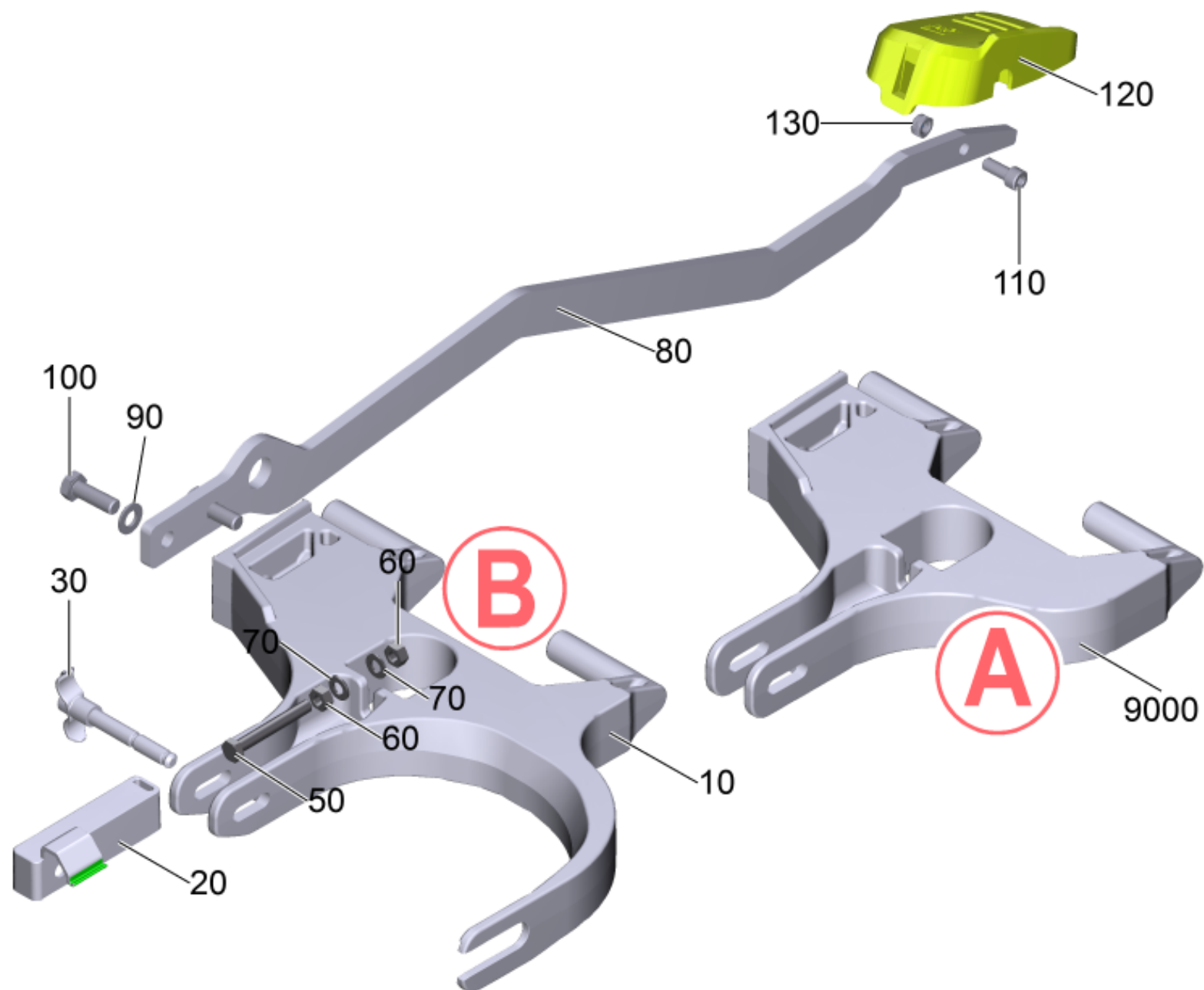
290 Screen filling system (4.035-370.0)

POS	Article no.	Description	Quantity	Unit
10	4.035-370.7	Screen filling system	1	PC



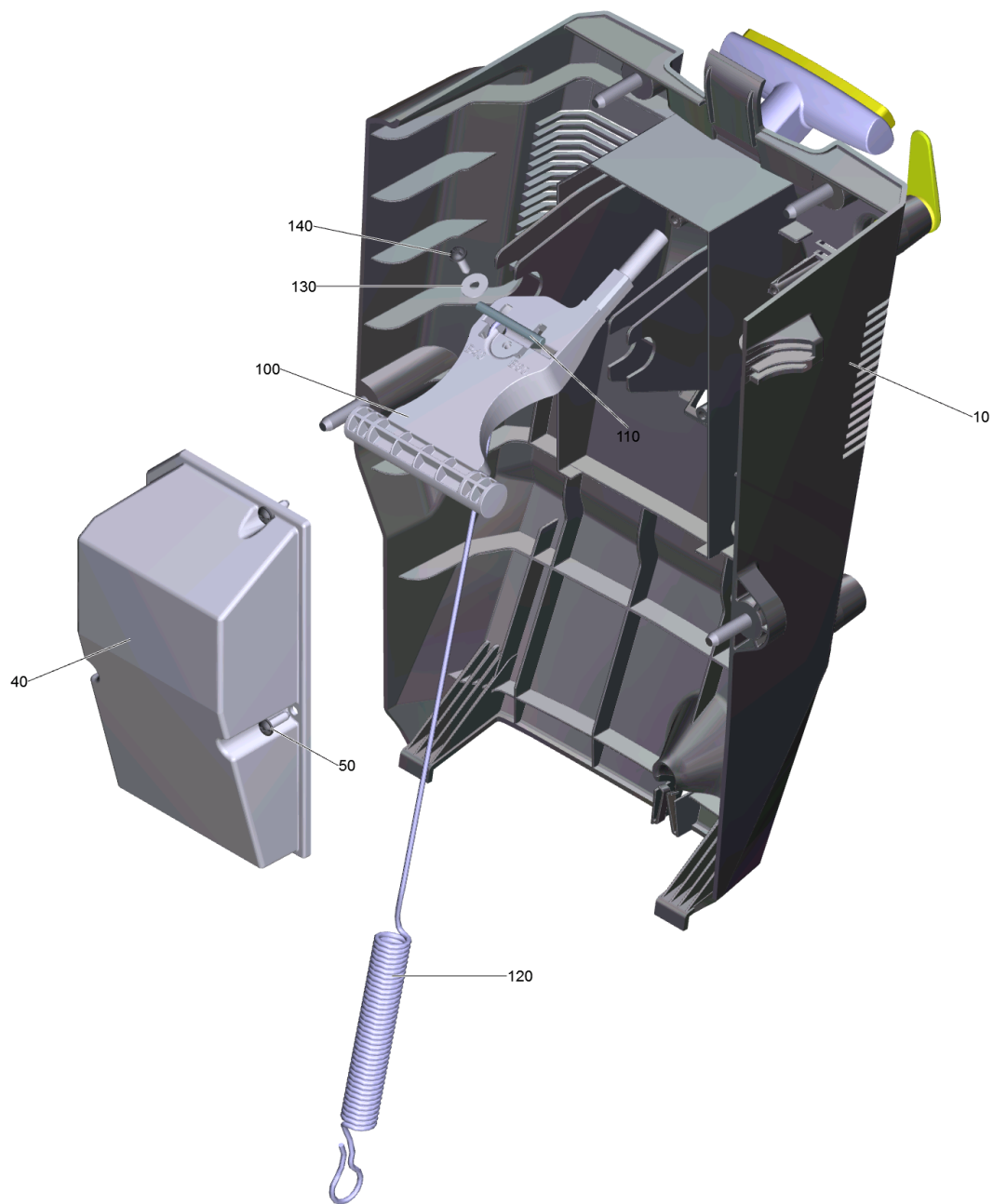
10 Screen filling system (4.035-370.7)

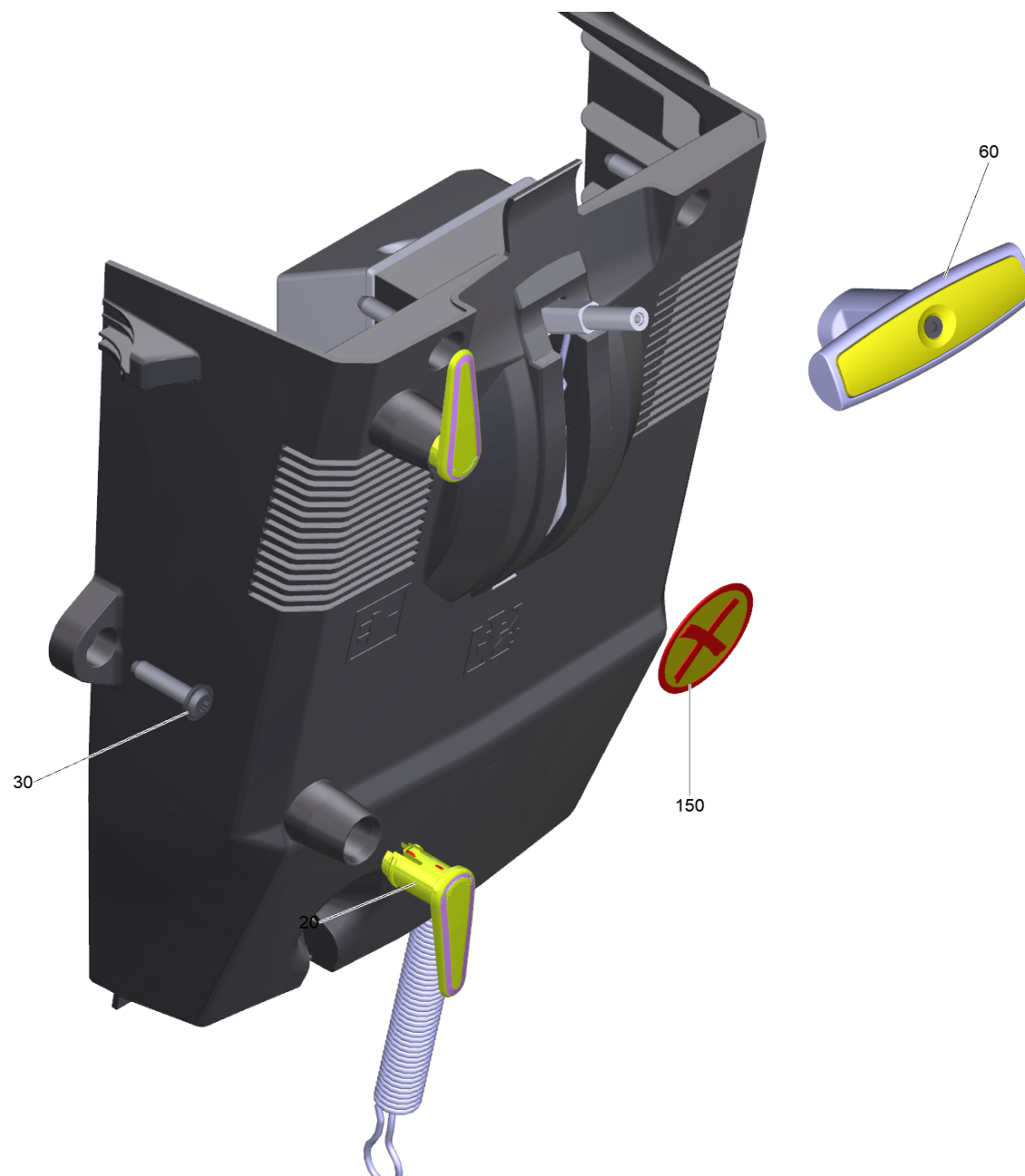
POS	Article no.	Description	Quantity	Unit
20	5.035-418.0	Seal fixing plate	1	PC
30	7.303-107.0	Screw 5x16 -10.9-P2R (K-In6Rd)	4	PC



50 Suspension brush-head complete

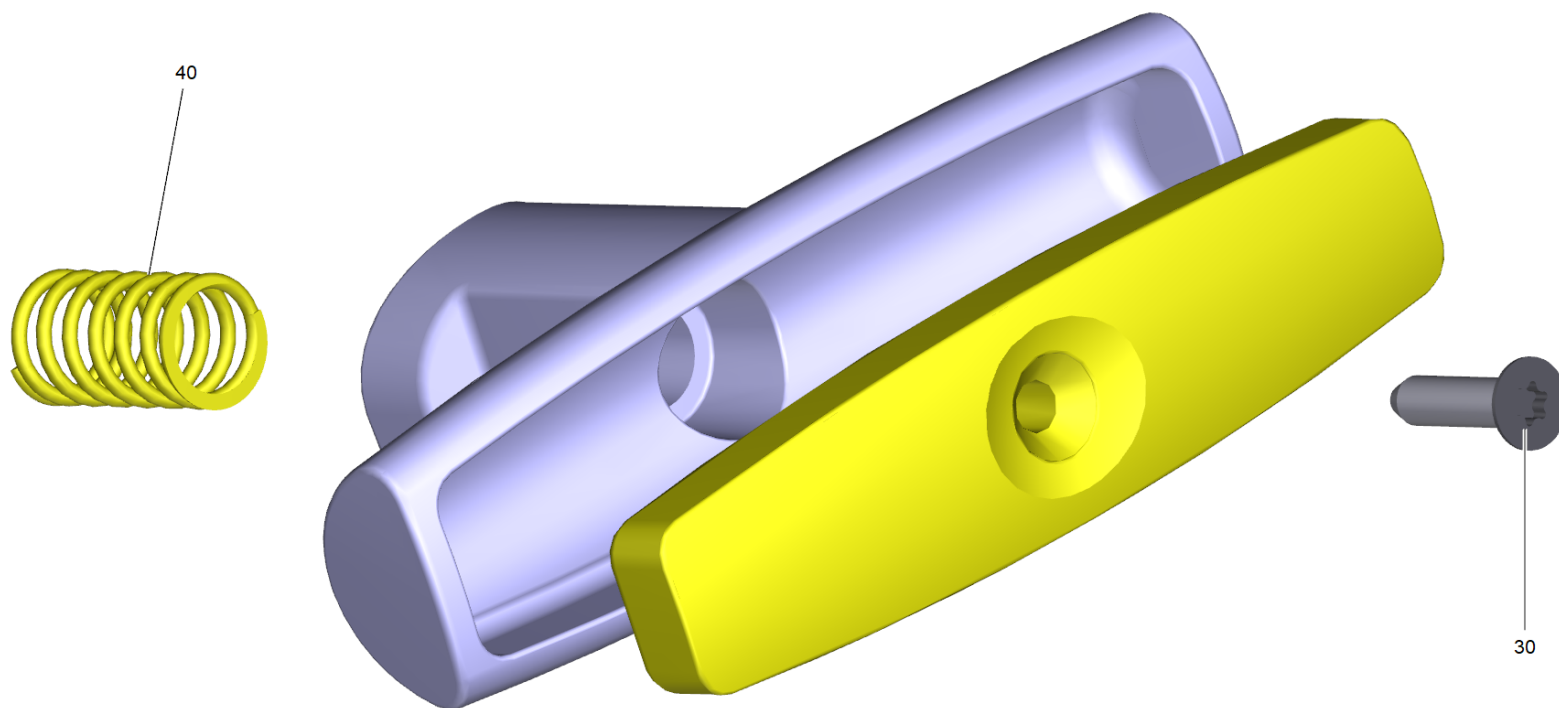
POS	Article no.	Description	Quantity	Unit	Foot note text
10	5.035-675.0	Suspension brush-head triple	1	PC	VERSION B
20	5.035-377.0	Adjusting element brush-head	1	PC	
30	5.035-865.0	Handhold bolt brush-head	1	PC	
50	7.304-262.0	Hexagonal head screw M8x60-A4-70 ISO 40	1	PC	
60	7.311-068.0	Hexagon nut M 8-A2-70 ISO 4032	2	PC	
70	7.312-004.0	Washer 8 -200HV-A3E ISO 7089	2	PC	
80	5.035-370.0	Lever plate brush-head	1	PC	
90	7.312-005.0	Washer 10-200HV-A3E ISO 7089	2	PC	
100	7.304-417.0	Hexagonal head screw M10x30-8.8-A3E ISO	2	PC	
110	7.306-041.0	Cylinder head screw M8x20 -8.8-A2E ISO	1	PC	
120	5.035-374.0	Pedal brush-head	1	PC	
130	7.311-432.0	Hexagon nut M 8-1.4305 DIN 985	1	PC	
9000	2.882-733.0	Conversion kit suspension brush-head B40	1	PC	VERSION A





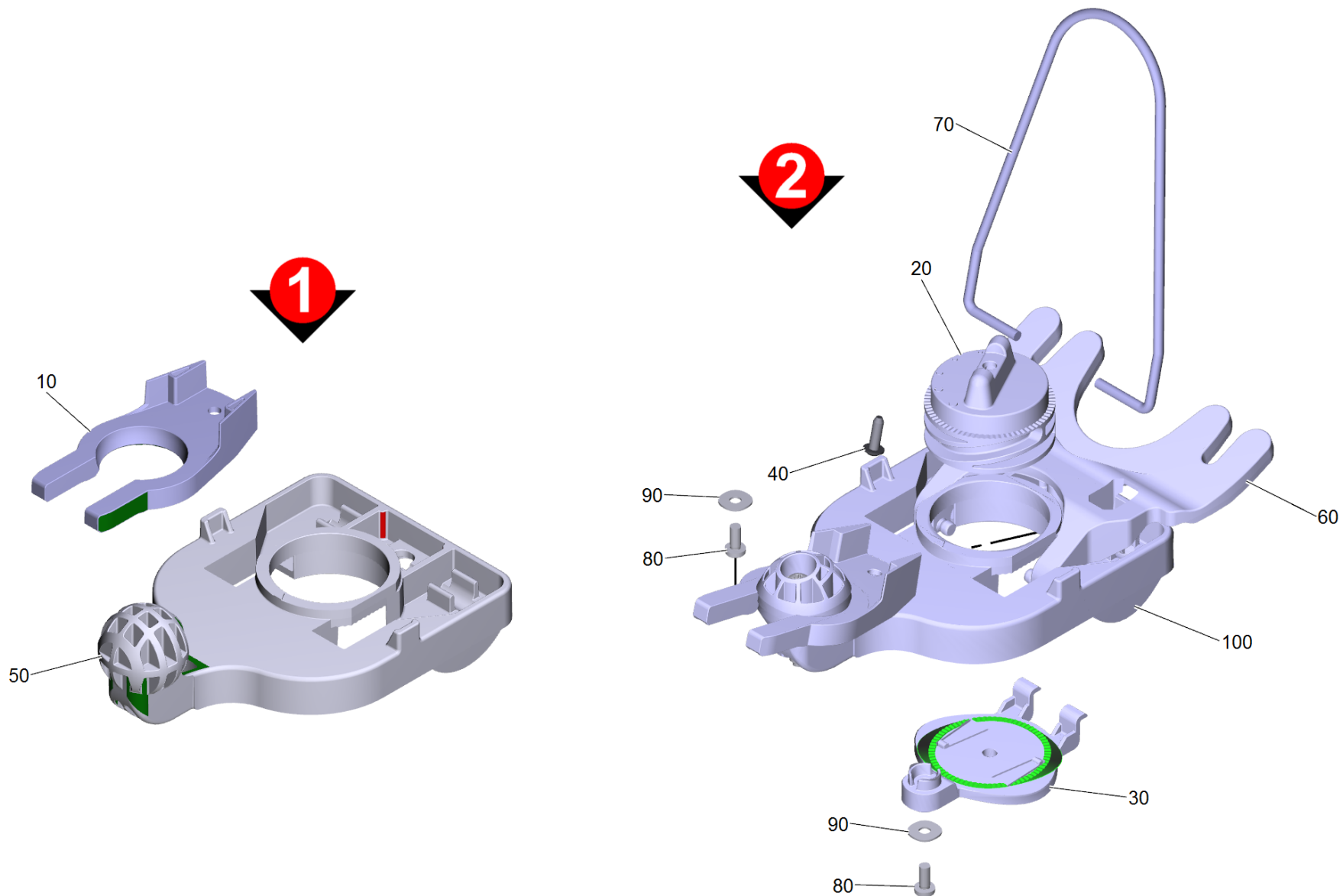
80 Covering cap rear complete

POS	Article no.	Description	Quantity	Unit
10	5.035-366.0	Covering cap	1	PC
20	5.044-661.0	Catch for cable yellow	2	PC
30	6.303-315.0	Screw 8 x 35	4	PC
40	5.035-446.0	Cover covering cap rear	1	PC
50	7.303-107.0	Screw 5x16 -10.9-P2R (K-In6Rd)	3	PC
60	4.035-612.0	Set handhold adjustment	1	PC
100	5.035-445.0	Lever suction bar	1	PC
110	5.035-453.0	Axle lever suction bar	1	PC
120	5.035-423.0	Extension spring	1	PC
130	7.312-282.0	Washer 5 -A2 ISO 7093-1	1	PC
140	7.303-107.0	Screw 5x16 -10.9-P2R (K-In6Rd)	1	PC
150	5.380-889.0	Warning sign BR-BD 750	1	PC



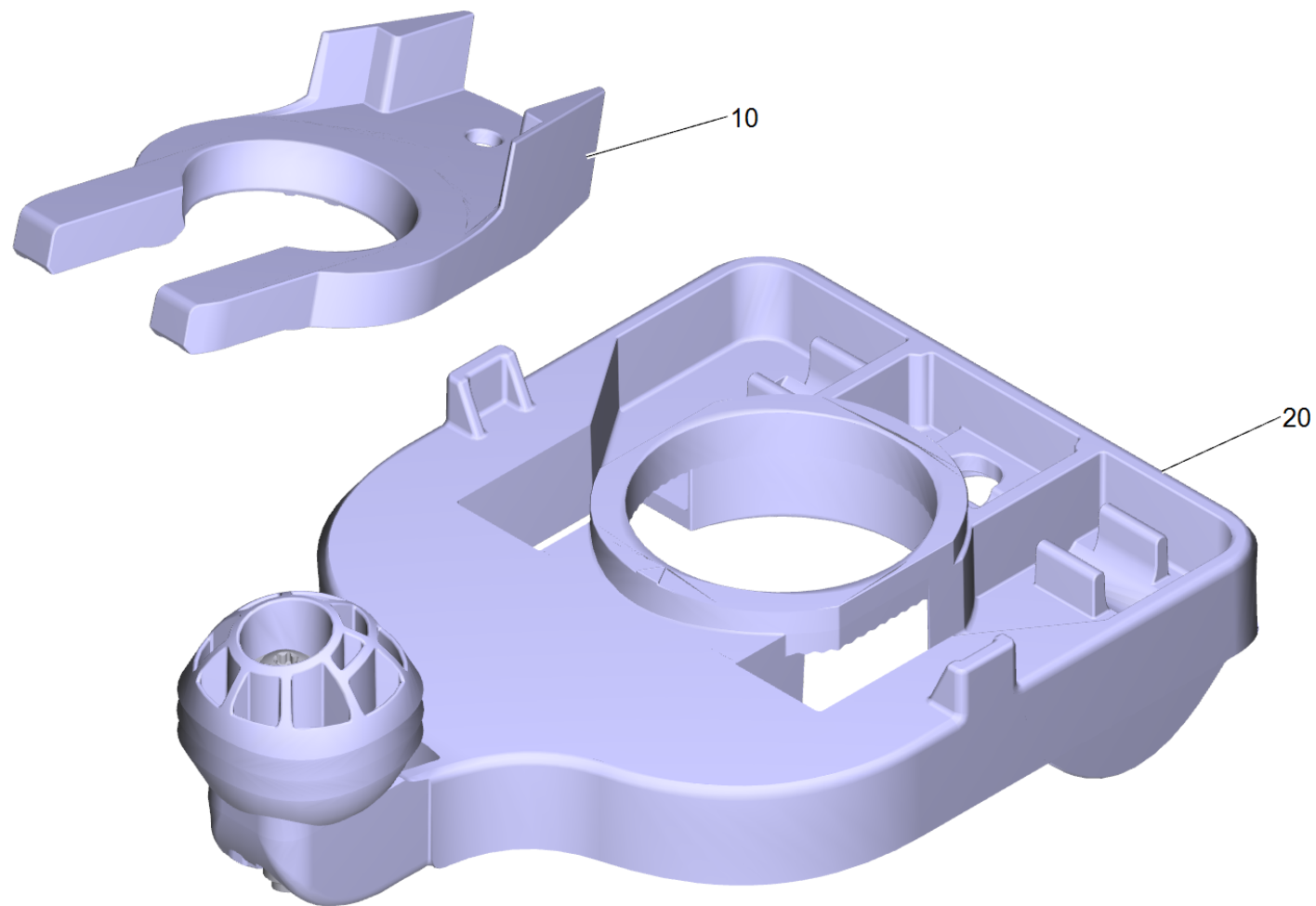
60 Set handhold adjustment (4.035-612.0)

POS	Article no.	Description	Quantity	Unit
30	7.303-128.0	Countersunk screw 5x20 -10.9-R2R (In6Rd)	1	PC
40	5.332-481.0	Helical spring	1	PC



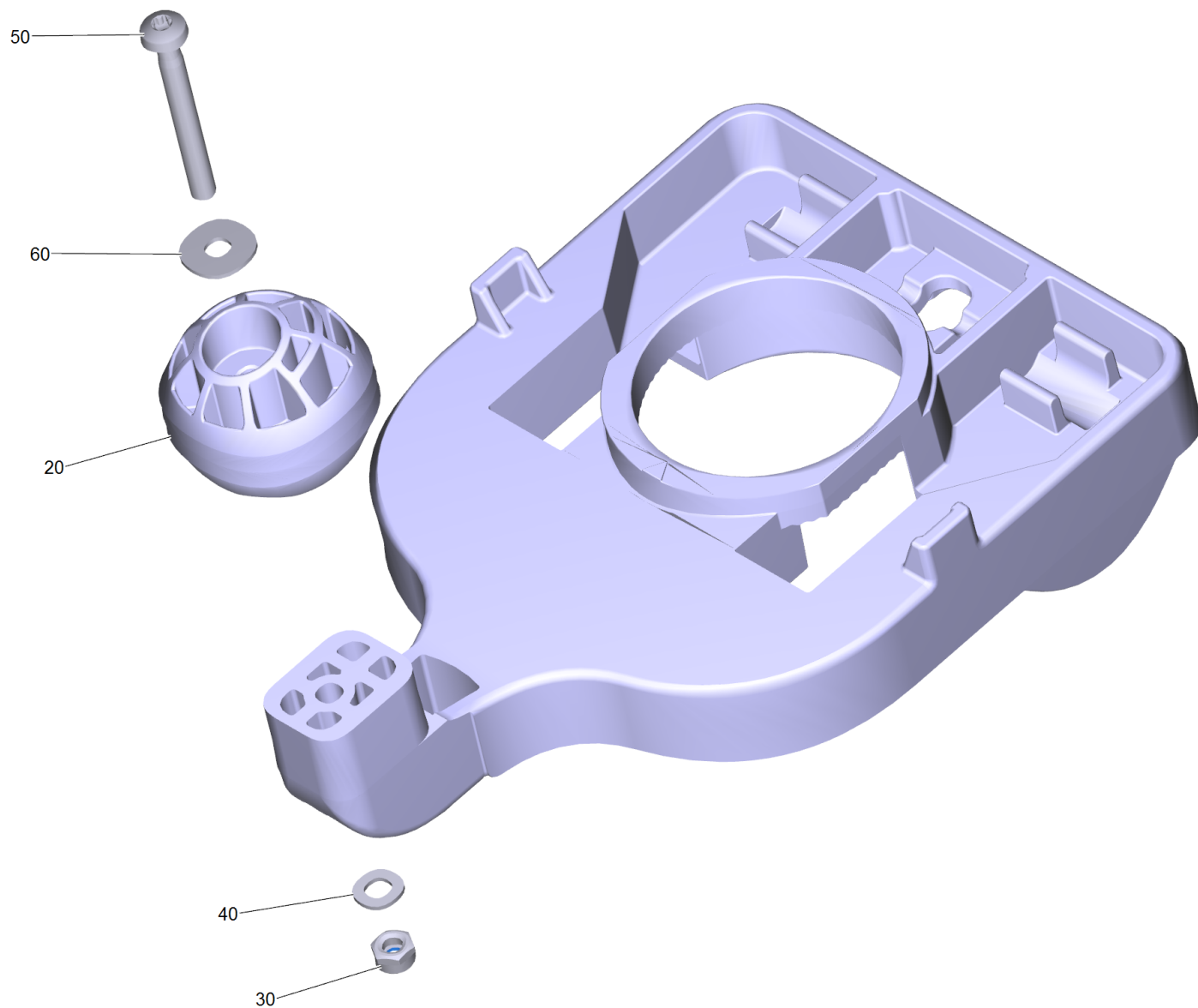
90 Suction bar lifting complete

POS	Article no.	Description	Quantity	Unit	Foot note text
10	7.777-999.0	Stockpiling discontinued	1	PC	VERSION 1
20	5.035-292.0	Adjusting knob suction bar tooting	1	PC	
30	5.035-293.0	Covering cap suction bar tooting	1	PC	
40	7.303-109.0	Screw 5x25 -10.9-R2R (In6Rd)	1	PC	
50	7.777-999.0	Stockpiling discontinued	1	PC	VERSION 1
60	5.036-103.0	Rocker suction bar	1	PC	
70	5.035-382.0	Retaining bracket suction bar	1	PC	
80	6.306-003.0	Screw M5X12-A2/70-ISO 14583 (IN6RD)	2	PC	with microencapsulation
90	7.312-282.0	Washer 5 -A2 ISO 7093-1	2	PC	
100	4.035-583.0	Holder suction bar complete	1	PC	VERSION 2



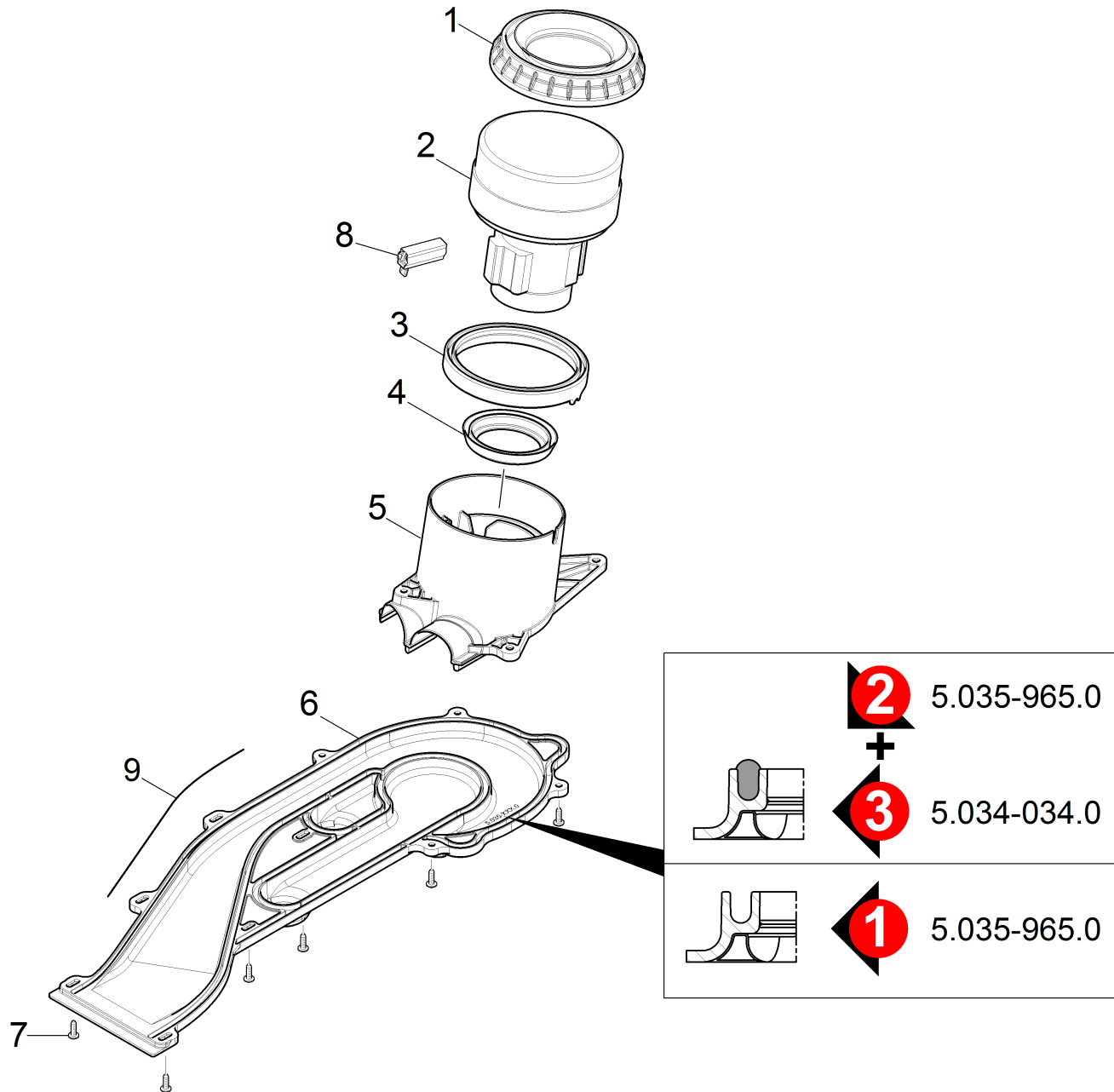
100 Holder suction bar complete (4.035-583.0)

POS	Article no.	Description	Quantity	Unit
10	5.005-005.0	FIXING PLATE SUCTION BAR ALU	1	PC
20	4.037-137.3	Holder suction bar	1	PC



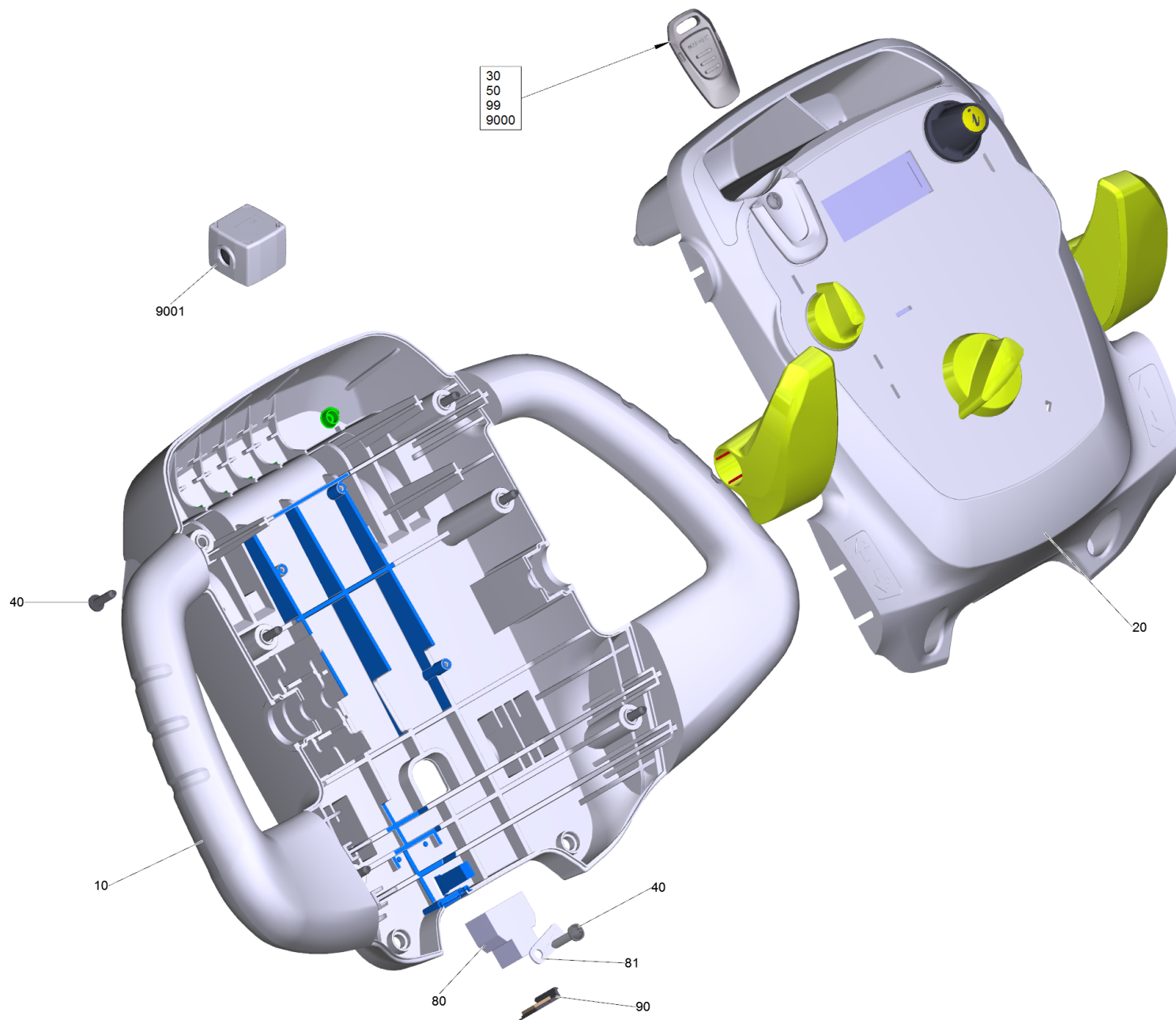
20 Holder suction bar (4.037-137.3)

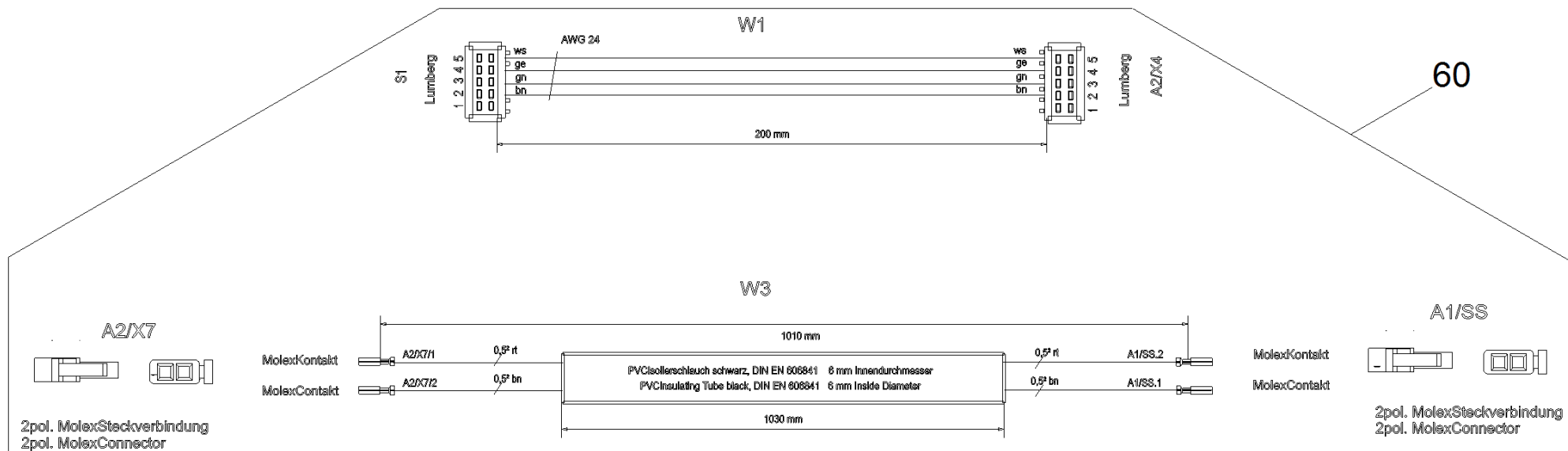
POS	Article no.	Description	Quantity	Unit
20	5.037-579.0	Sphere suction bar suspension	1	PC
30	7.311-431.0	Hexagon nut M 5-1.4305 DIN 985	1	PC
40	7.312-052.0	Washer 5 -A2 ISO 7089	1	PC
50	7.306-215.0	Screw M5x45 -8.8-P2R (In6Rd)	1	PC
60	7.312-282.0	Washer 5 -A2 ISO 7093-1	1	PC



100 Vacuum motor

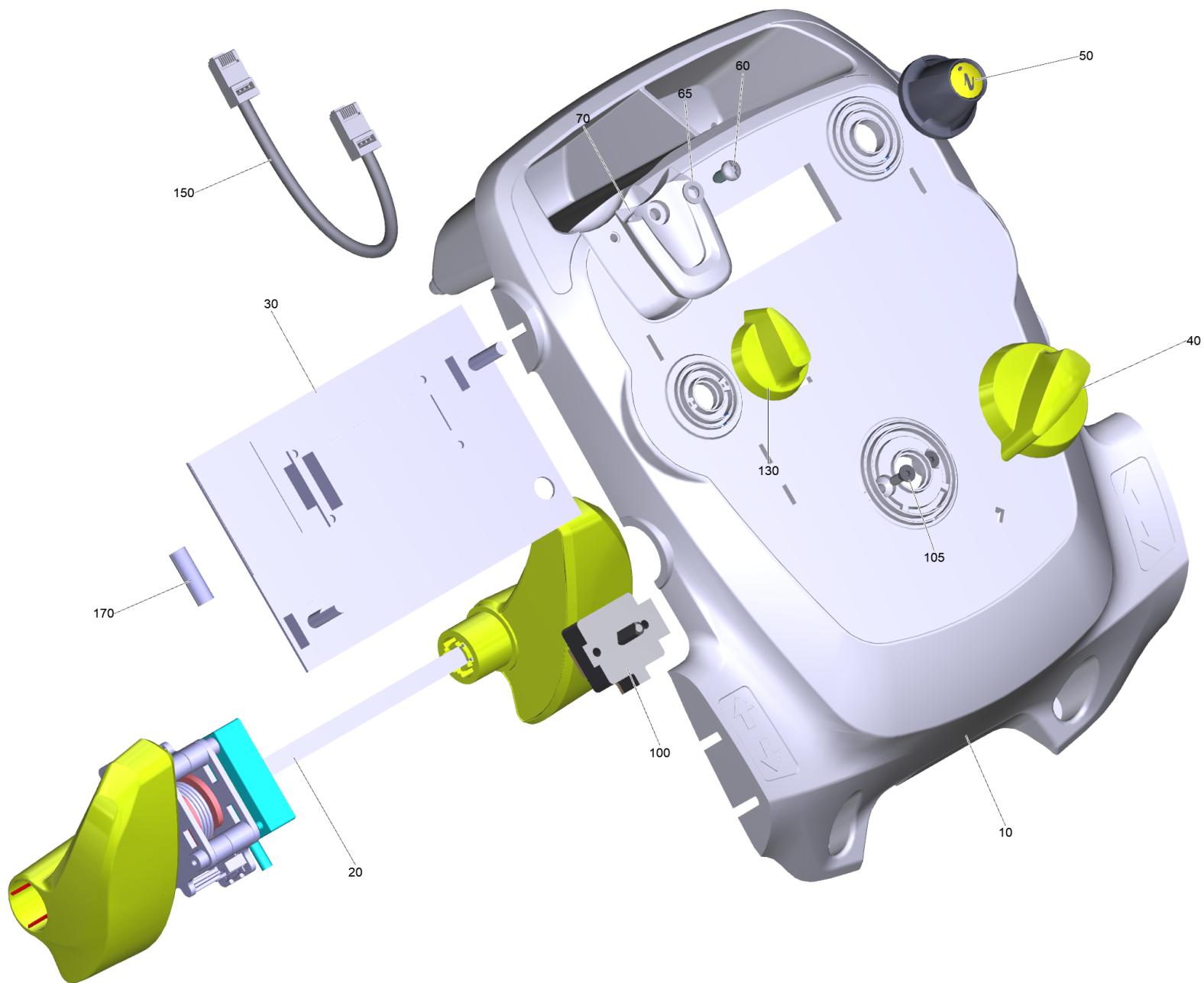
POS	Article no.	Description	Quantity	Unit	Remark	Foot note text
1	5.035-333.0	Bearing vacuum motor	1	PC		
2	4.035-580.0	Vacuum motor replacement	1	PC		
3	5.035-332.0	Joint ring turbine	1	PC		
4	5.363-395.0	Seal	1	PC		
5	5.034-032.0	Air circulation turbine bottom	1	PC		VERSION 2
5	5.035-964.0	Air circulation bottom turbine	1	PC		VERSION 1
6	4.034-009.0	Air circulation turbine replacement	1	PC		VERSION 2
6	5.034-034.0	Air circulation turbine above foamed	1	PC		VERSION 3
6	7.777-999.0	Stockpiling discontinued	1	PC		VERSION 1
7	7.303-107.0	Screw 5x16 -10.9-P2R (K-In6Rd)	8	PC		
8	6.490-011.0	Carbon brush set	1	PC	24 V	
9	6.273-196.0	Seal string cellular rubber	1	m		TO ORDER AS CUT GOODS





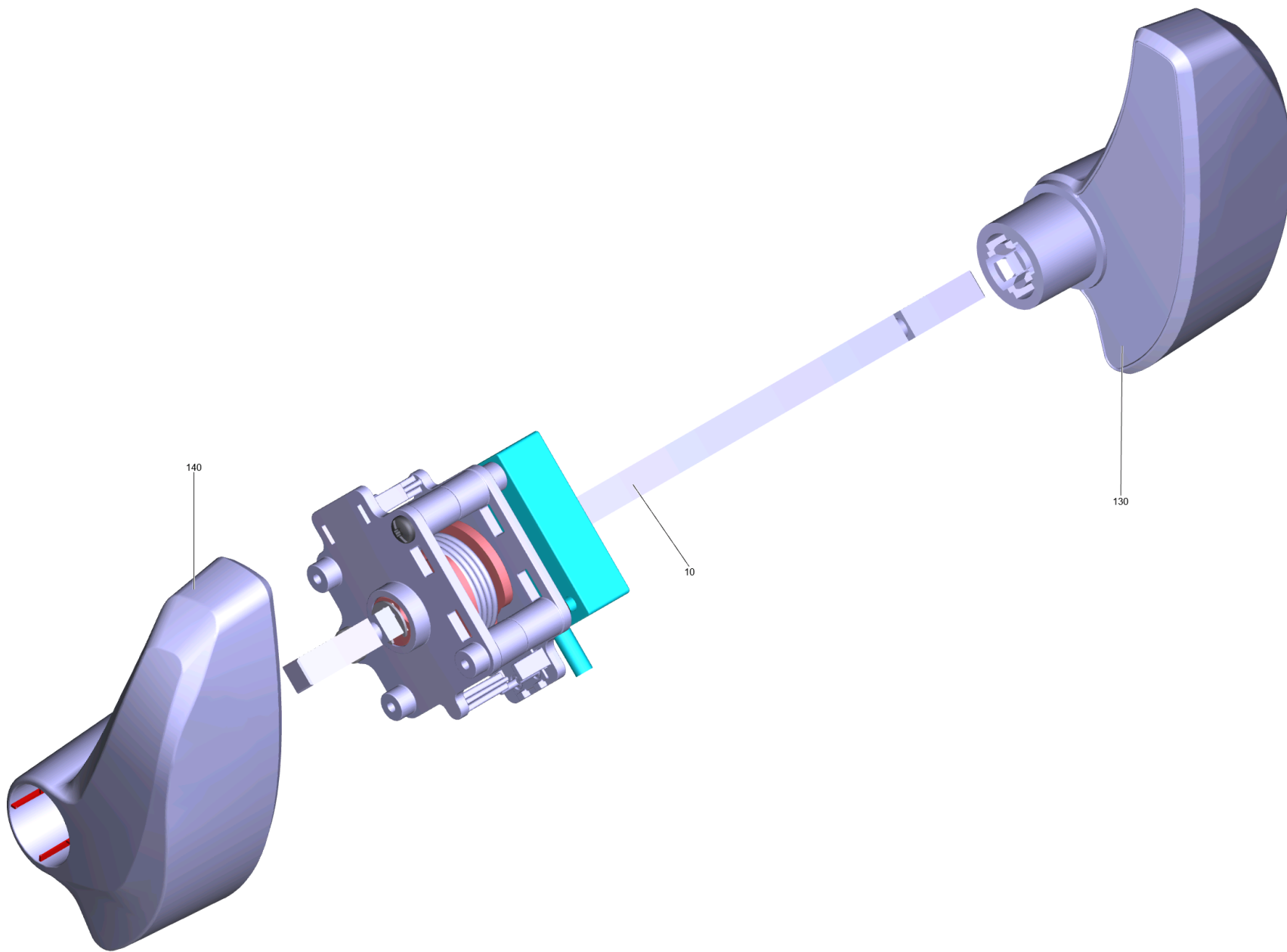
20 Control panel complete BAT W

POS	Article no.	Description	Quantity	Unit	Foot note text
10	4.035-131.0	Housing control panel replacement Bp W	1	PC	WITHOUT SLOT FOR 5.033-829.0
10	5.035-219.0	Housing bottom part control panel	1	PC	WITH SLOT FOR 5.033-829.0
20		Covering cap control panel complete BAT	1	PC	
30	5.035-344.0	Key yellow KIK	1	PC	
40	7.303-108.0	Screw 5x20 -10.9-R2R (In6Rd)	7	PC	
50	5.035-348.0	Key grey KIK	1	PC	
60	4.035-431.0	Cable harness control panel replacement	1	PC	
80	6.330-111.0	Adapter RJ45 Y-Splitter	1	PC	
81	5.035-196.0	Plate stiffener	1	PC	VERSION 2
90	5.033-829.0	Rubber stopper control panel	1	PC	
99	5.035-337.0	Key red KIK	1	PC	
9000	4.035-064.0	Set key white KIK	1	PC	SET WITH 5 PIECES
9000	4.035-076.0	Key white KIK	1	PC	
9001	6.574-216.0	Ferrite core	1	PC	



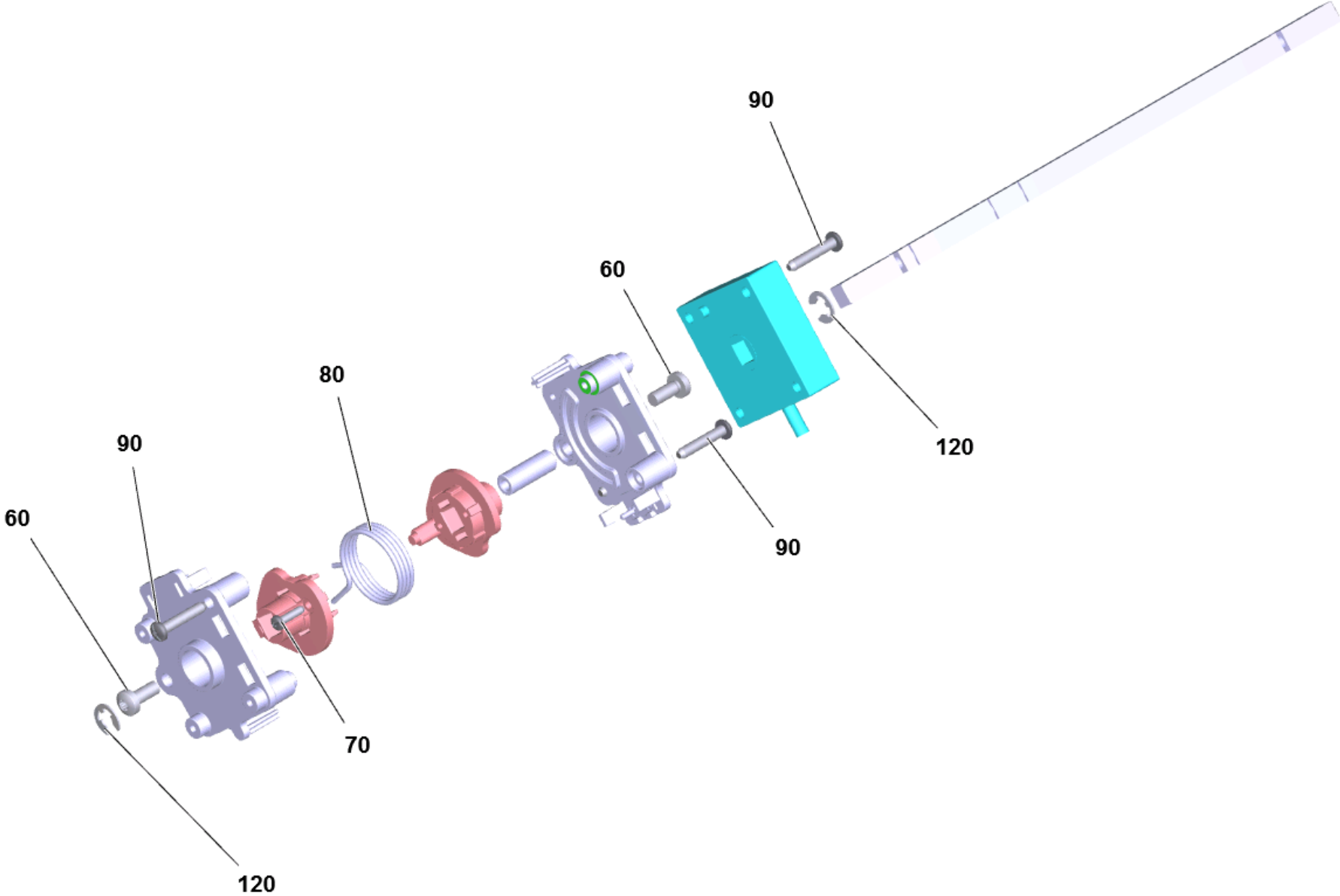
20 Covering cap control panel complete BAT

POS	Article no.	Description	Quantity	Unit	Foot note text
10	4.035-118.0	Covering cap control panel replacement B	1	PC	WITH SLOT FOR 5.033-829.0
10	4.035-413.0	Covering cap control panel foil Bp W	1	PC	WITHOUT SLOT FOR 5.033-829.0
20	4.035-000.0	Tachograph complete	1	PC	
30	4.683-311.3	Circuit board replacement W	1	PC	
40	4.035-608.0	Handhold operational concept complete	1	PC	
50	5.321-750.0	Handhold info panel	1	PC	
60	7.303-274.0	Screw 5x12 -A2-70 (In6Rd)	1	PC	
65	7.312-052.0	Washer 5 -A2 ISO 7089	1	PC	
70	5.035-343.0	Guide key	1	PC	
100	4.035-415.0	Switch program selection replacement	1	PC	
105	7.305-036.0	Countersunk screw M4x12 -A2-70-s (IN6RD	2	PC	
130	5.035-437.0	Rotary controller	1	PC	
150	6.649-933.0	Cable Patch	1	PC	
170	6.388-958.0	Hose	1	m	TO ORDER AS CUT GOODS



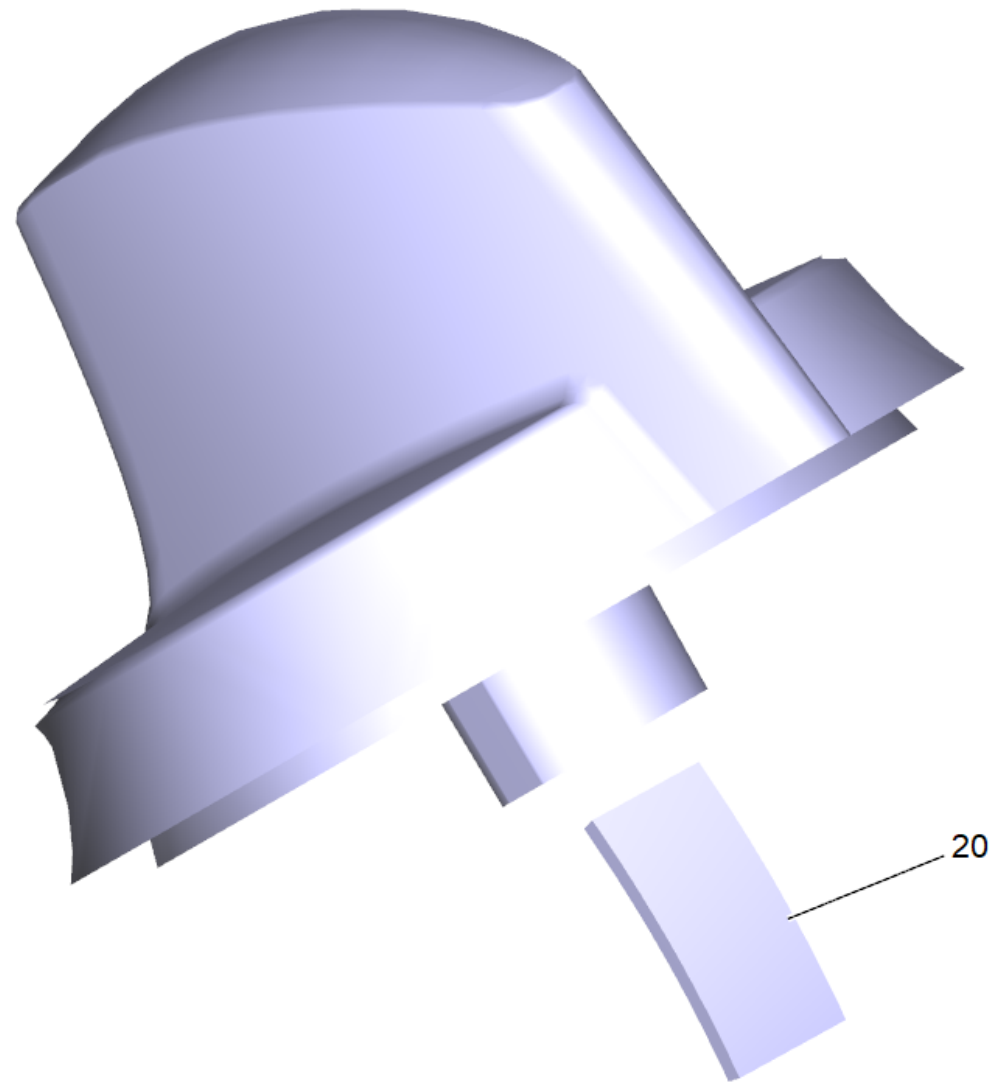
20 Tachograph complete (4.035-000.0)

POS	Article no.	Description	Quantity	Unit
10	4.035-002.0	Tachograph set	1	PC
130	4.035-495.0	Tachograph right complete	1	PC
140	4.035-496.0	Tachograph left complete	1	PC



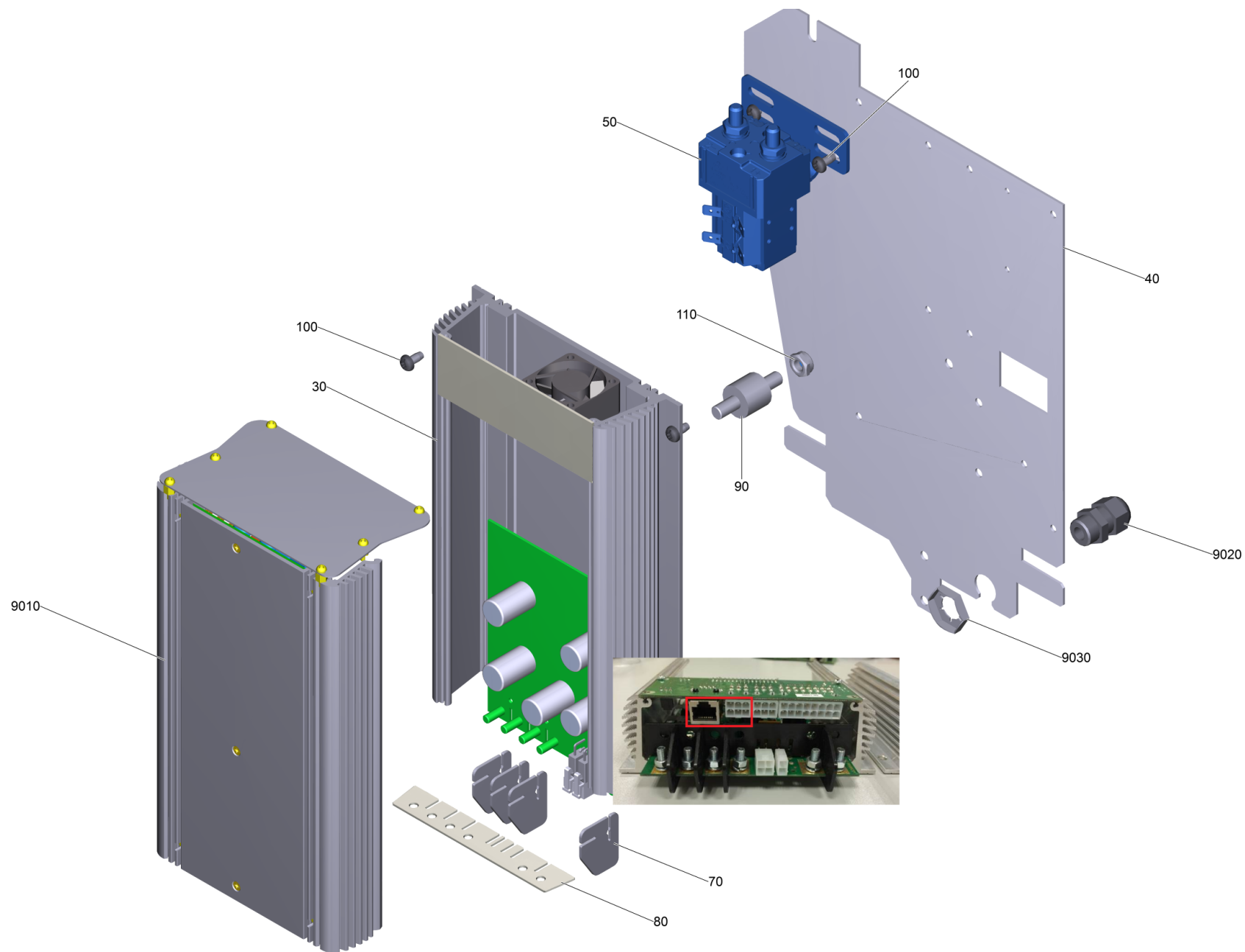
10 Tachograph set (4.035-002.0)

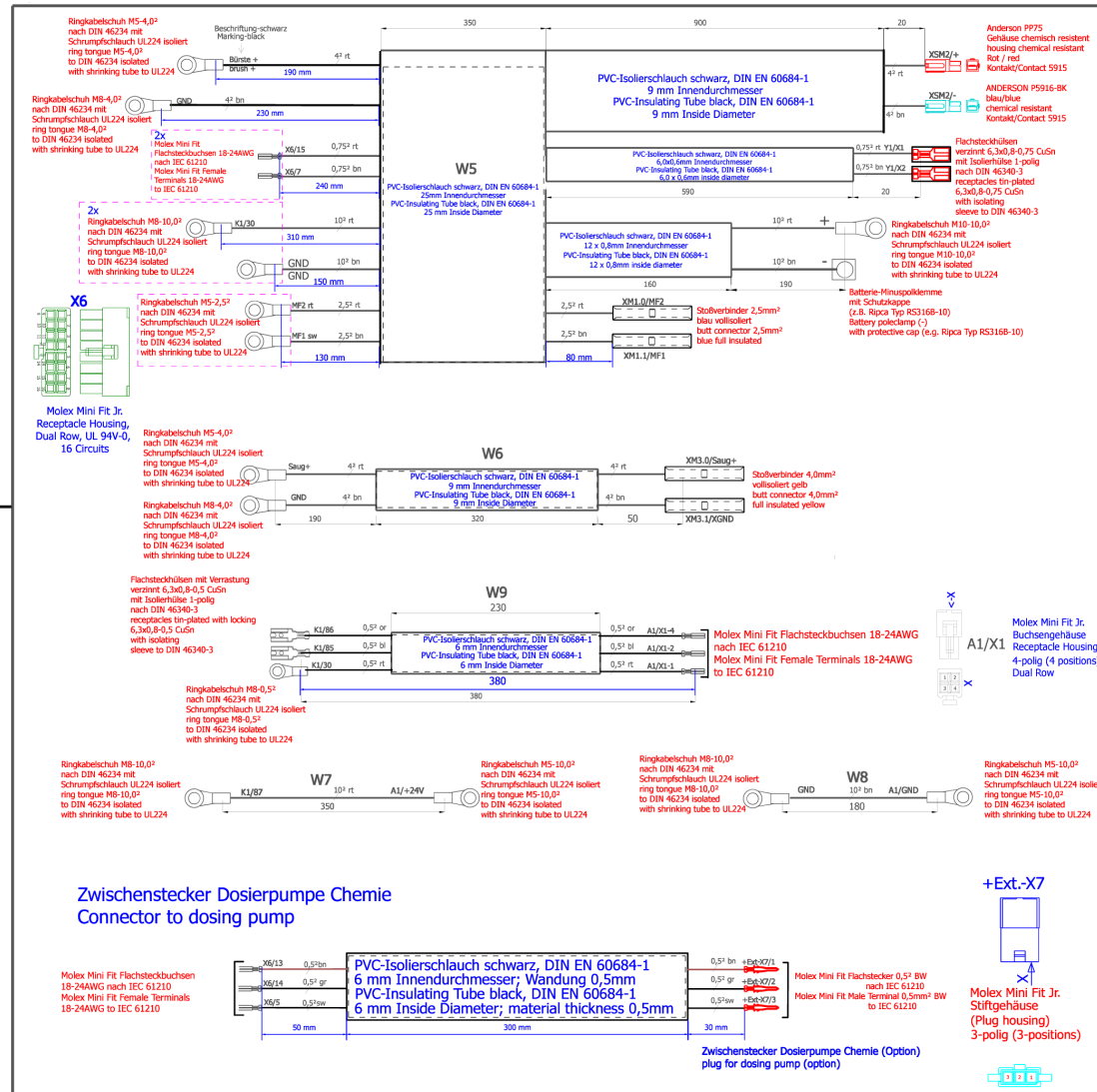
POS	Article no.	Description	Quantity	Unit
60	7.306-394.0	Screw M5x12 -8.8-ZNBHL ISO 14583	2	PC
70	6.303-557.0	Screw 3x12 Kombitorx T8	2	PC
80	6.330-441.0	Torsion spring tachograph	1	PC
90	7.303-096.0	Screw 4x22-ST-10.9-R2R (IN6RD)	4	PC
120	7.343-201.0	Lock washer 6-FST-PHR DIN 6799	2	PC



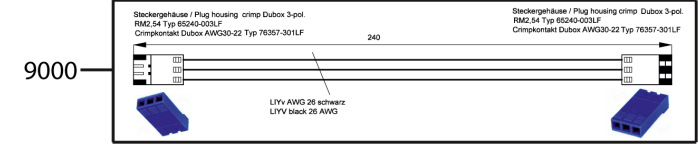
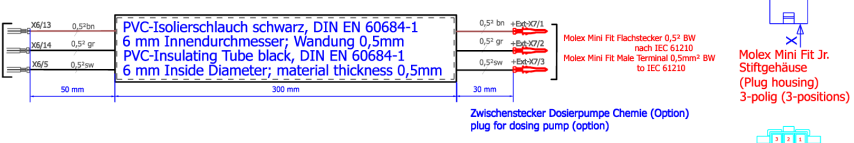
40 Handhold operational concept complete (4.035-608.0)

POS	Article no.	Description	Quantity	Unit
20	6.313-014.0	Spring element	1	PC



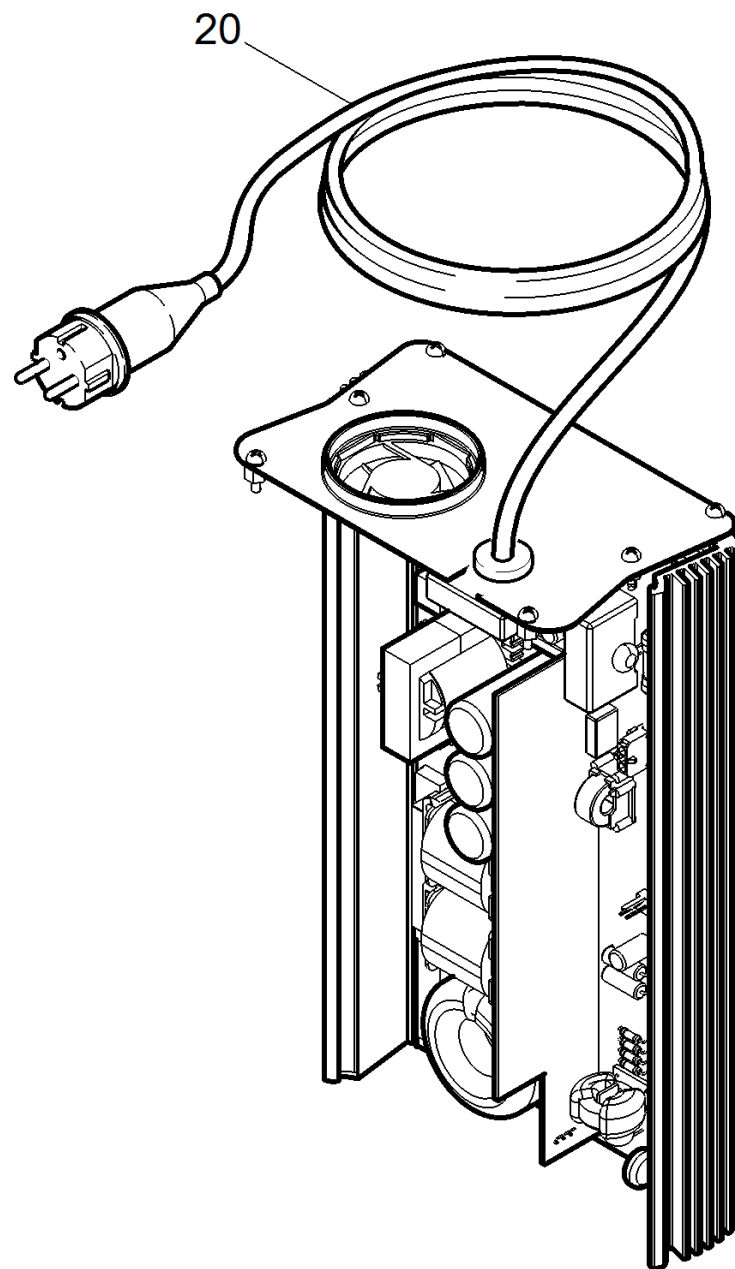


Zwischenstecker Dosierpumpe Chemie
Connector to dosing pump



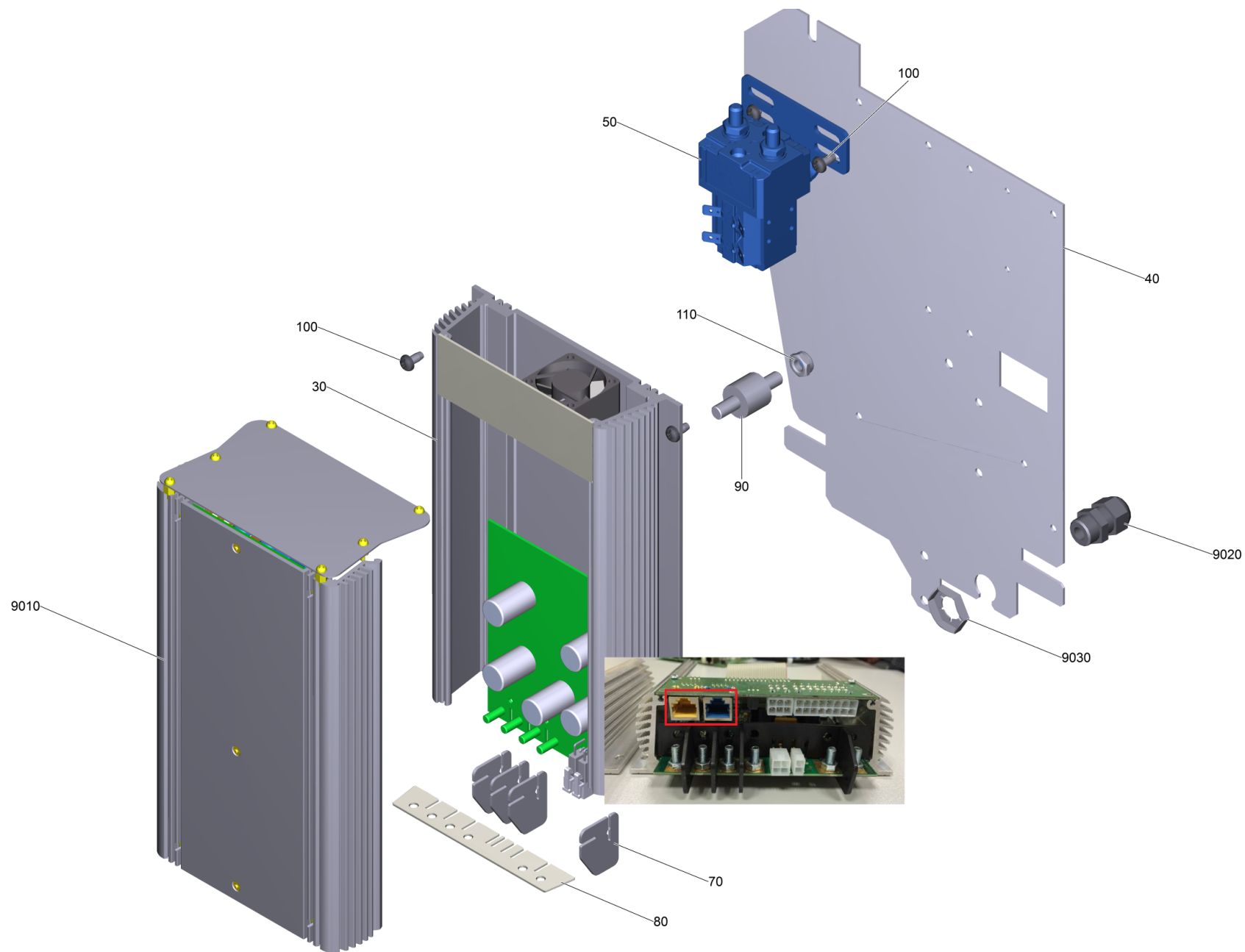
40 Electric equipment B40 W Bp Dose

POS	Article no.	Description	Quantity	Unit
10	4.822-900.0	Cable harness B40 W	1	PC
30	6.683-118.0	Electronics control system replacement B	1	PC
40	5.035-449.0	Plate base plate electronics	1	PC
50	6.633-044.0	Relay 120A	1	PC
70	5.035-359.0	Moulded part plate electronics klein	4	PC
80	5.035-362.0	Moulded part plate electronics	1	PC
90	6.652-033.0	Isolator	1	PC
100	7.303-037.0	Screw M5x10 -St-P2R (In6Rd)	6	PC
110	7.311-427.0	Hexagon nut M8 -04-A2E DIN 985	1	PC
120	6.648-399.0	Cable gland black M16x1,5	1	PC
130	7.777-999.0	Stockpiling discontinued	1	PC
9000	6.645-554.0	Connecting cable control system battery charger	1	PC
9010	6.654-337.0	Battery charger replacement B 40 Japan	1	PC
9010	6.683-119.0	Battery charger replacement B 40 *EU	1	PC
9020	6.648-399.0	Cable gland black M16x1,5	1	PC
9030	7.777-999.0	Stockpiling discontinued	1	PC

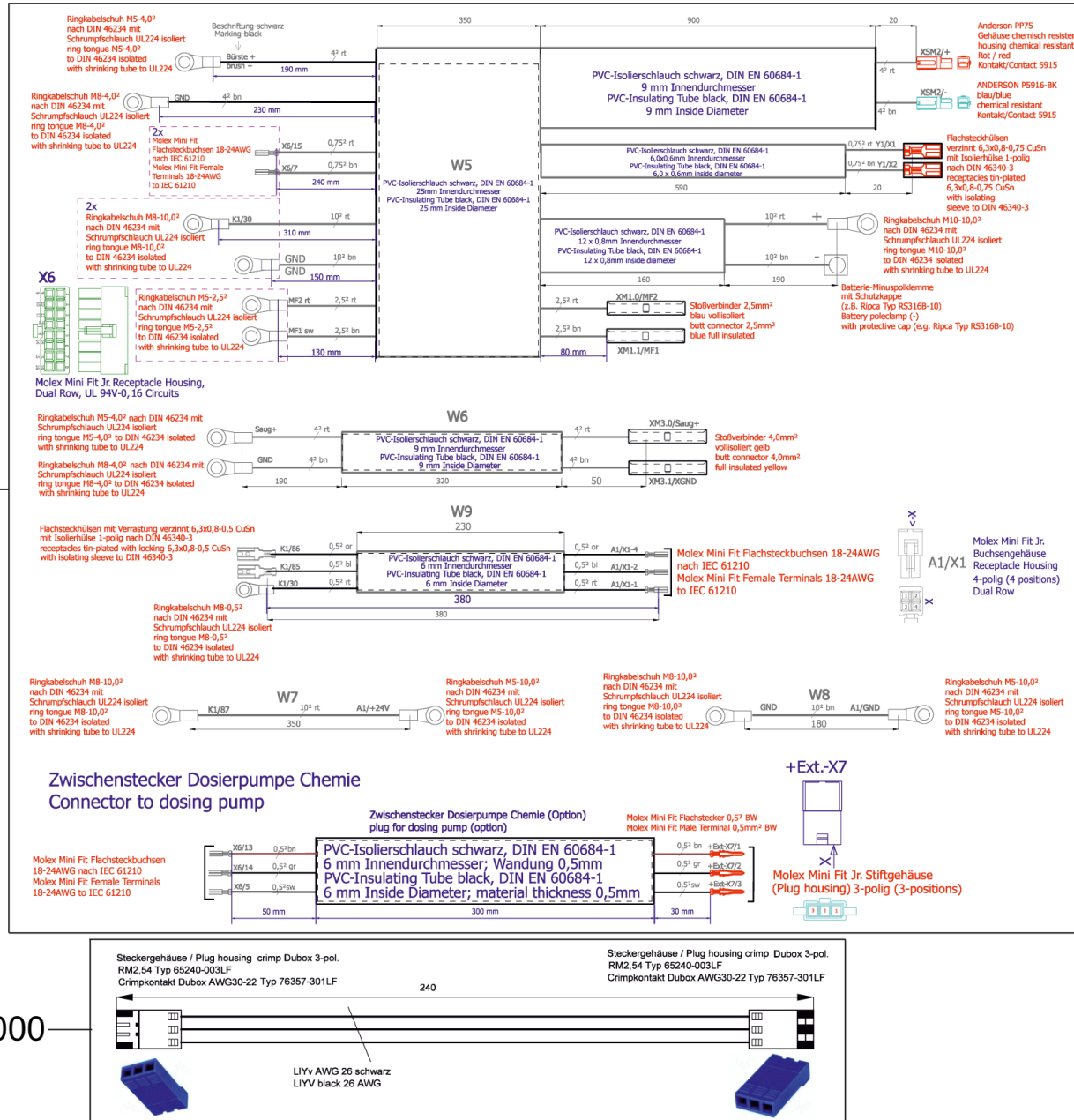


9010 Battery charger replacement B 40 *EU (6.683-119.0)

POS	Article no.	Description	Quantity	Unit	Remark
20	6.645-553.0	Cable with plug	1	PC	*EU
20	6.645-586.0	Cable with plug B40-USA	1	PC	*US

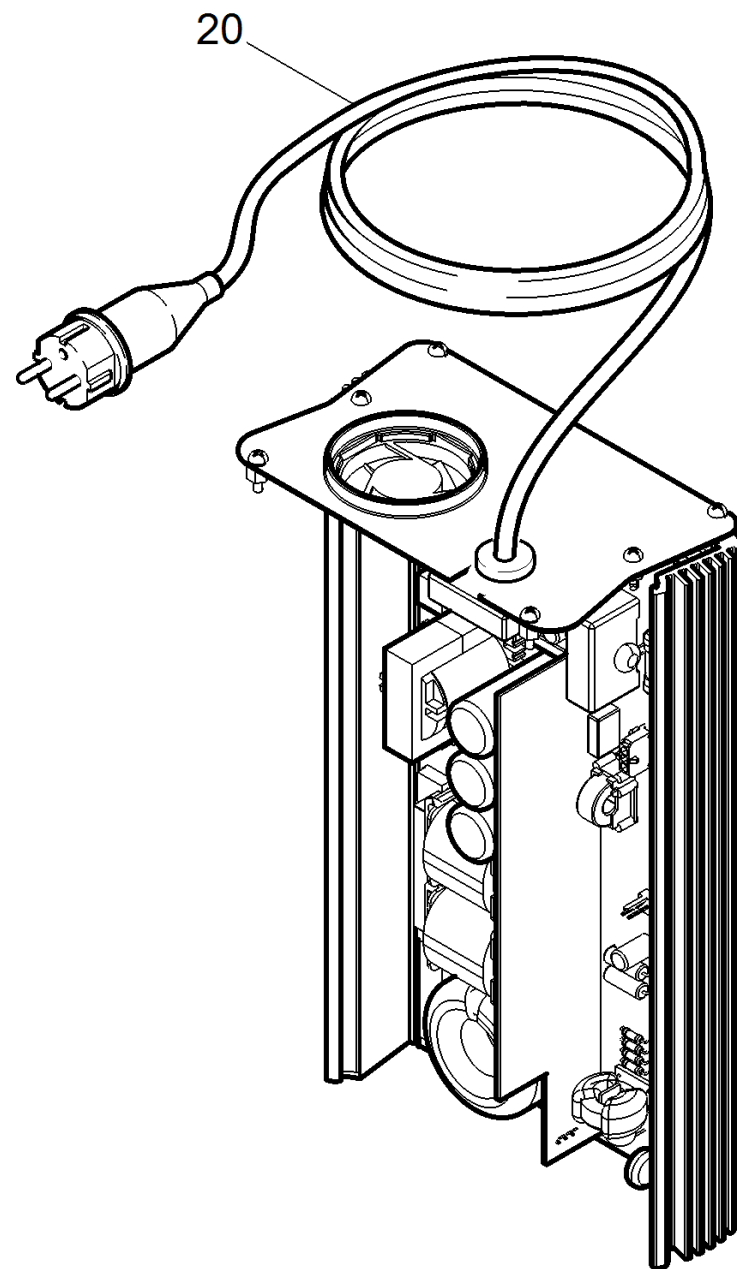


10



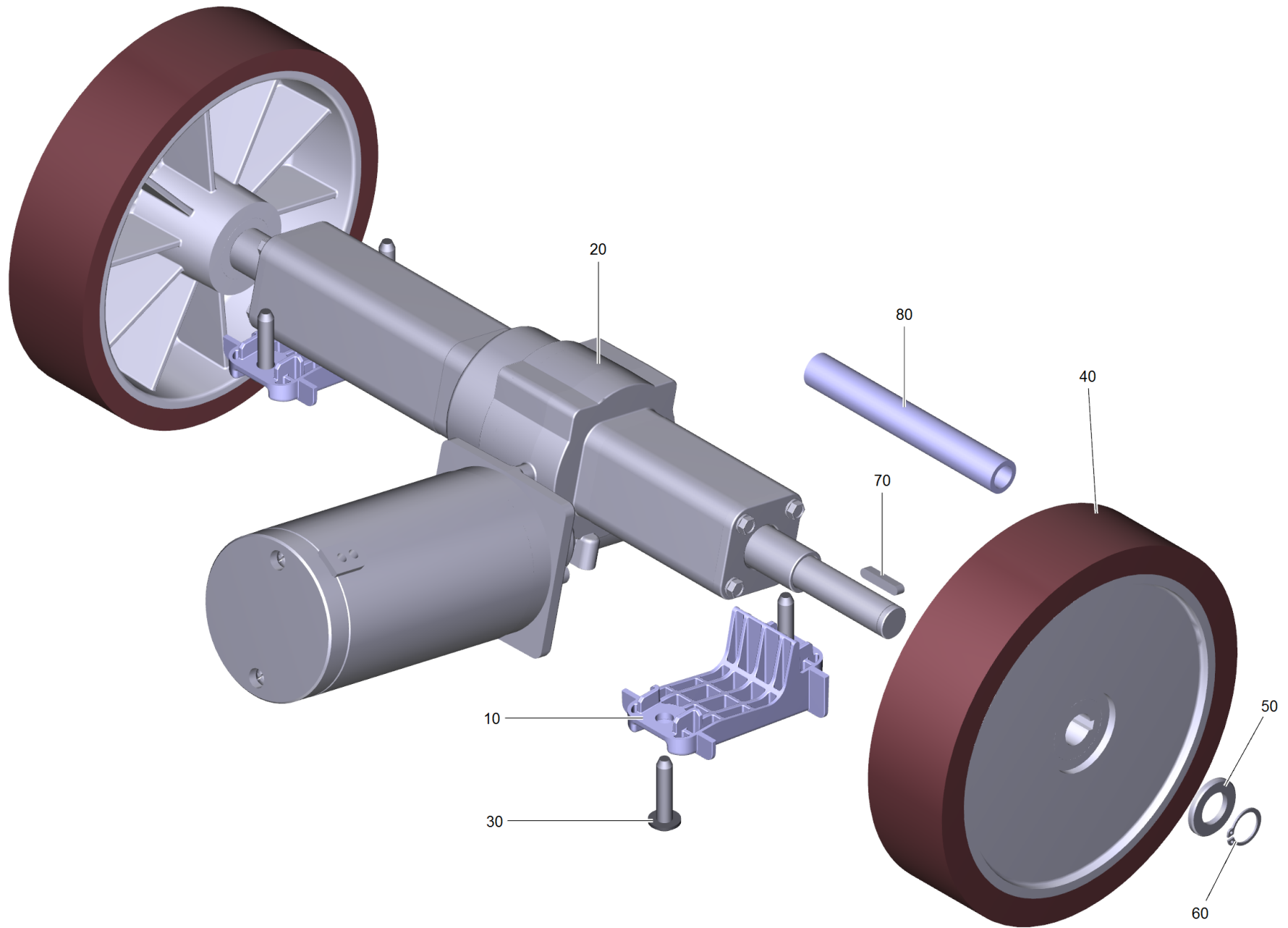
40 Electric equipment B 40 W Bp Dose US Can

POS	Article no.	Description	Quantity	Unit
10	4.822-900.0	Cable harness B40 W	1	PC
30	4.683-075.0	Electronics control system replacement B	1	PC
40	5.035-449.0	Plate base plate electronics	1	PC
50	4.633-110.0	Relay replacement set	1	PC
70	5.035-359.0	Moulded part plate electronics klein	4	PC
80	5.035-362.0	Moulded part plate electronics	1	PC
90	6.652-033.0	Isolator	1	PC
100	7.303-037.0	Screw M5x10 -St-P2R (In6Rd)	6	PC
110	7.311-427.0	Hexagon nut M8 -04-A2E DIN 985	1	PC
9000	6.645-554.0	Connecting cable control system battery charger	1	PC
9010	6.683-119.0	Battery charger replacement B 40 *EU	1	PC
9020	6.648-399.0	Cable gland black M16x1,5	1	PC
9030	7.777-999.0	Stockpiling discontinued	1	PC



9010 Battery charger replacement B 40 *EU (6.683-119.0)

POS	Article no.	Description	Quantity	Unit	Remark
20	6.645-553.0	Cable with plug	1	PC	*EU
20	6.645-586.0	Cable with plug B40-USA	1	PC	*US

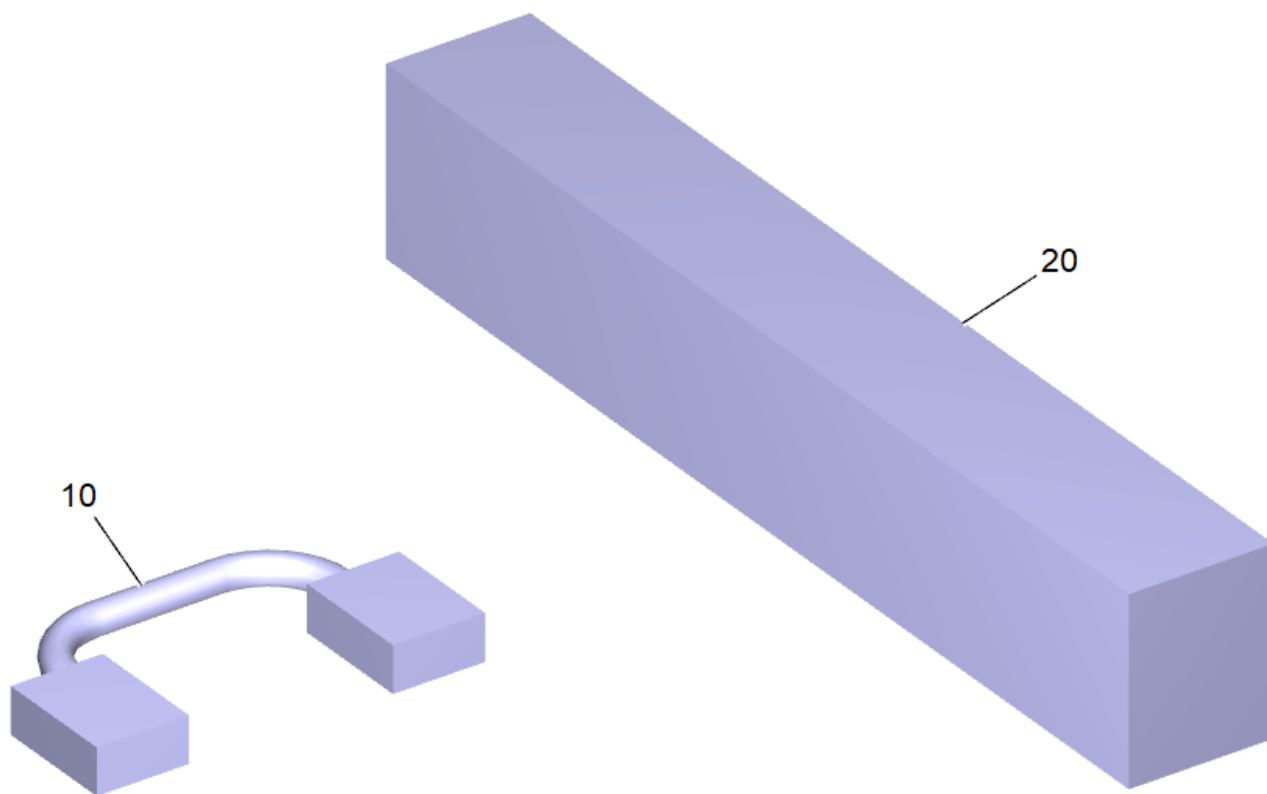


70 Gear complete B 40 W

POS	Article no.	Description	Quantity	Unit	Foot note text
10	5.035-351.0	Holder wheel drive motor	2	PC	
20	6.613-512.3	Wheel drive motor B40W	1	PC	
30	6.303-315.0	Screw 8 x 35	4	PC	
40	6.035-055.0	Wheel transmission conductive D200x50	2	PC	CHANGE BOTH WHEELS!
50	7.312-057.0	Washer 16 -A2 ISO 7089	2	PC	
60	7.343-029.0	Locking ring 17x1-FST-RF DIN 471	2	PC	
70	7.318-009.0	Parallel key 5x5x40-C45K DIN 6885	2	PC	
80	6.642-011.0	Insulating hose 10	1	m	TO ORDER AS CUT GOODS

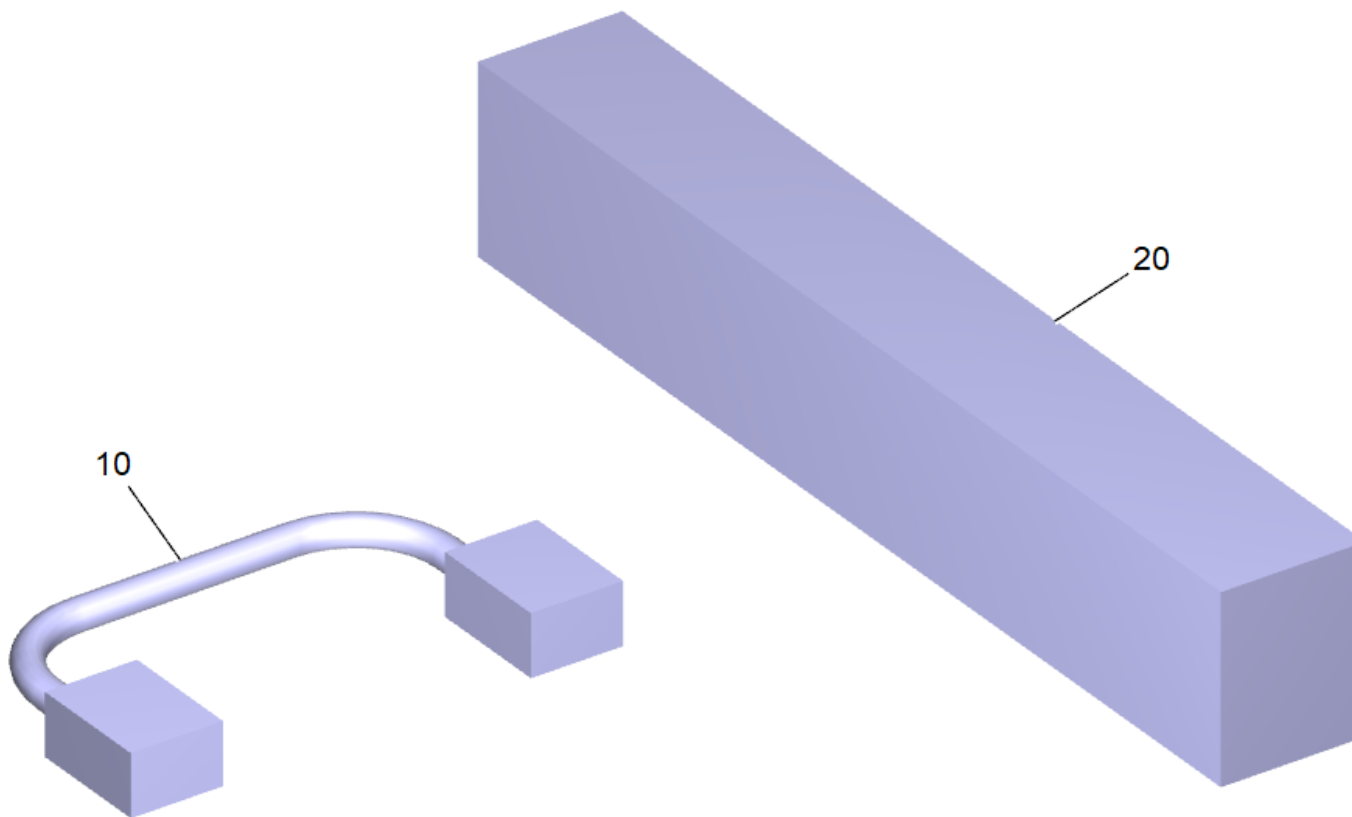
20 Wheel drive motor B40W (6.613-512.3)

POS	Article no.	Description	Quantity	Unit
10	6.490-069.0	Carbon brush set	1	PC



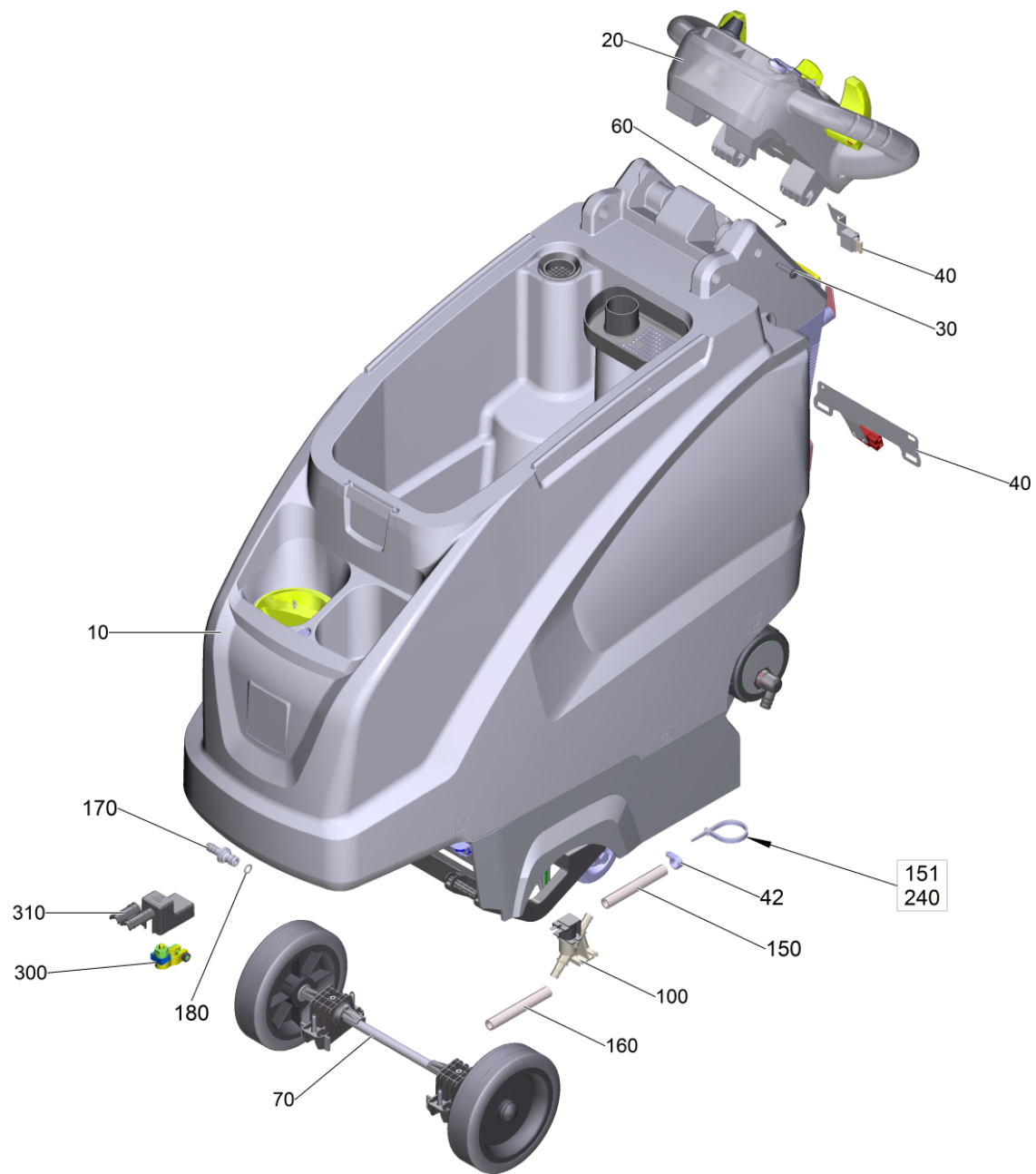
9523 Mounting kit battery kit (2.638-036.0)

POS	Article no.	Description	Quantity	Unit
10	6.649-879.0	Cable battery 25 mm ² . 160 mm	1	PC
20	5.642-021.0	Distance holder battery	1	PC



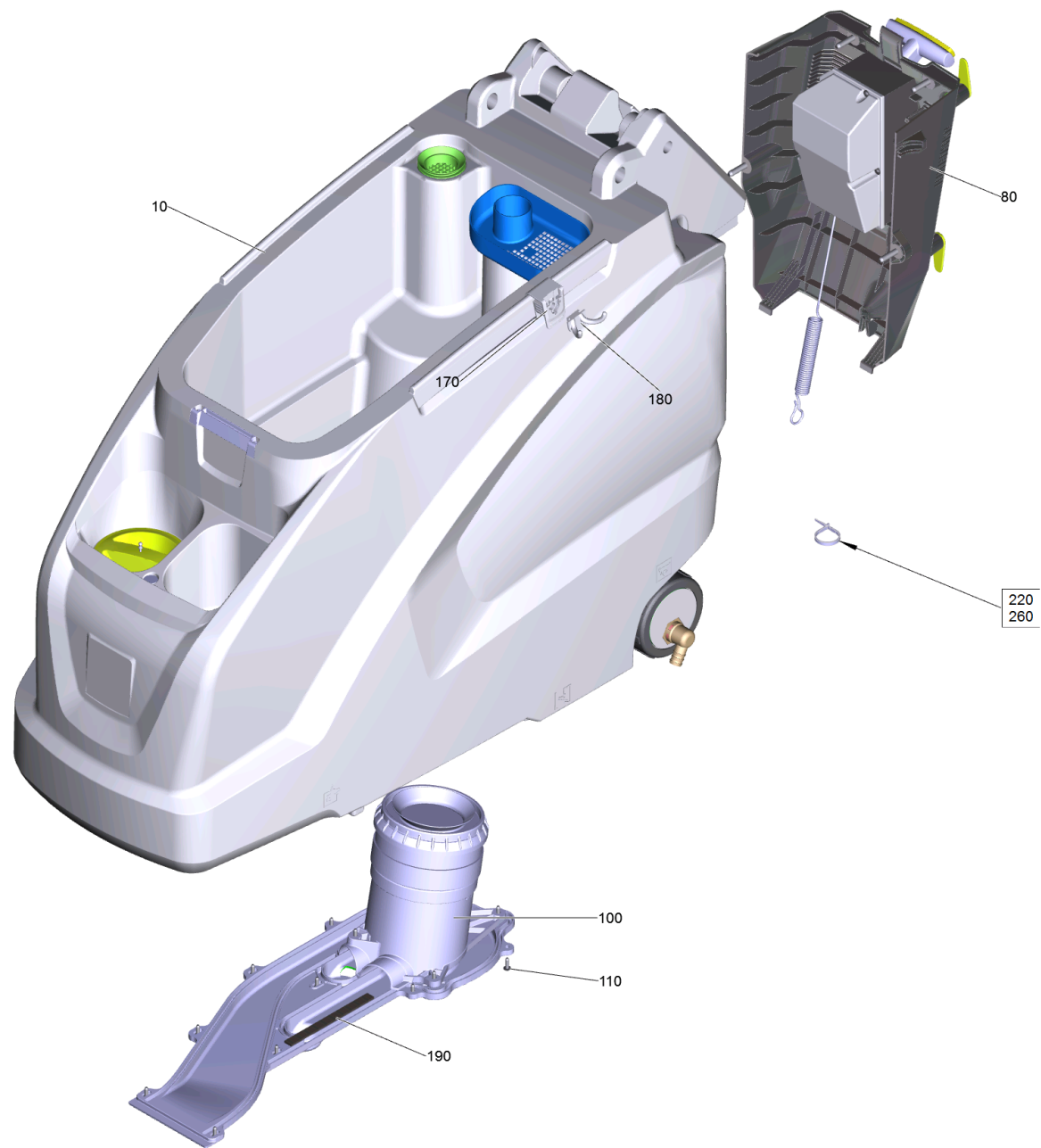
9531 Mounting kit battery kit (2.638-059.0)

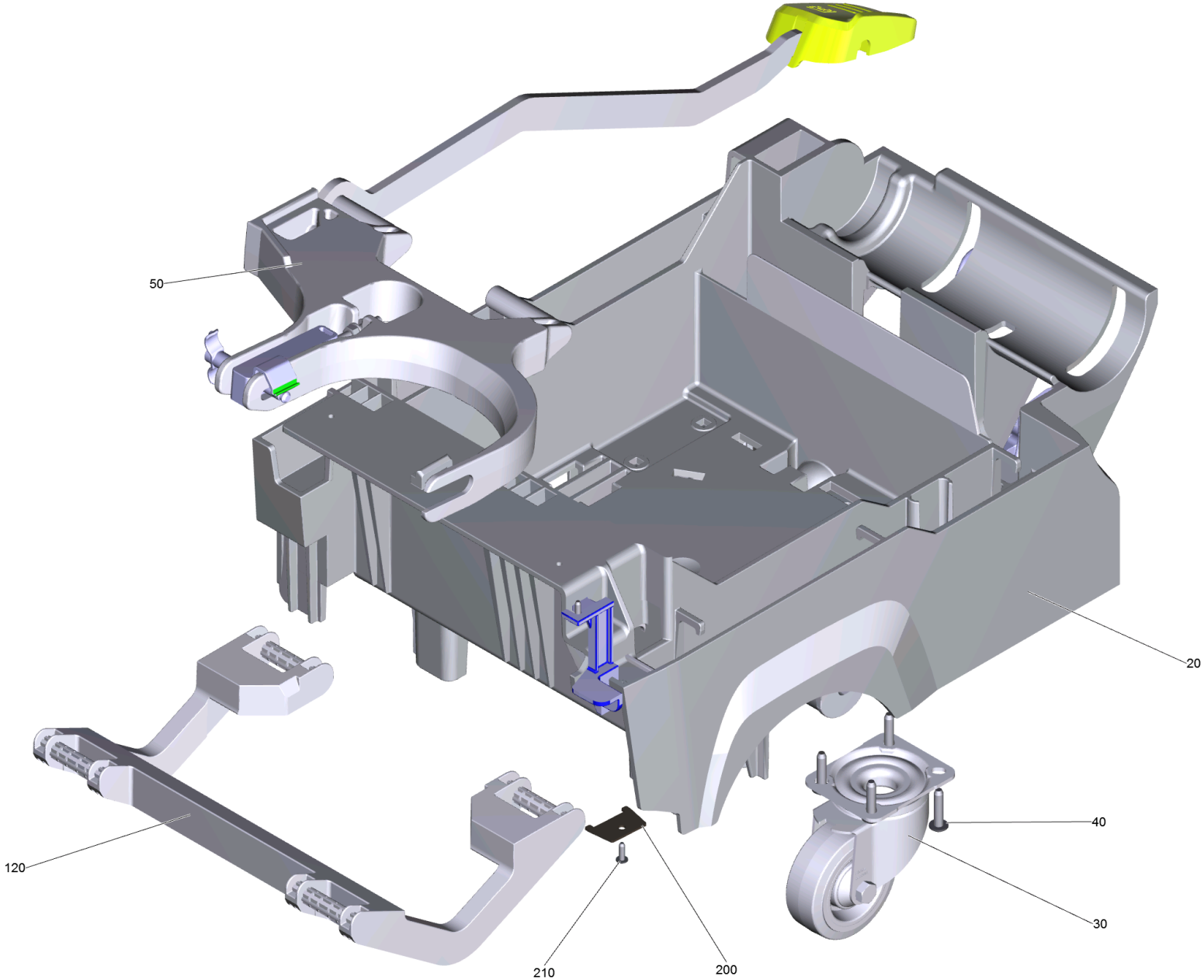
POS	Article no.	Description	Quantity	Unit
10	6.649-601.0	Cable battery short Hoppecke	1	PC
20	5.642-021.0	Distance holder battery	1	PC

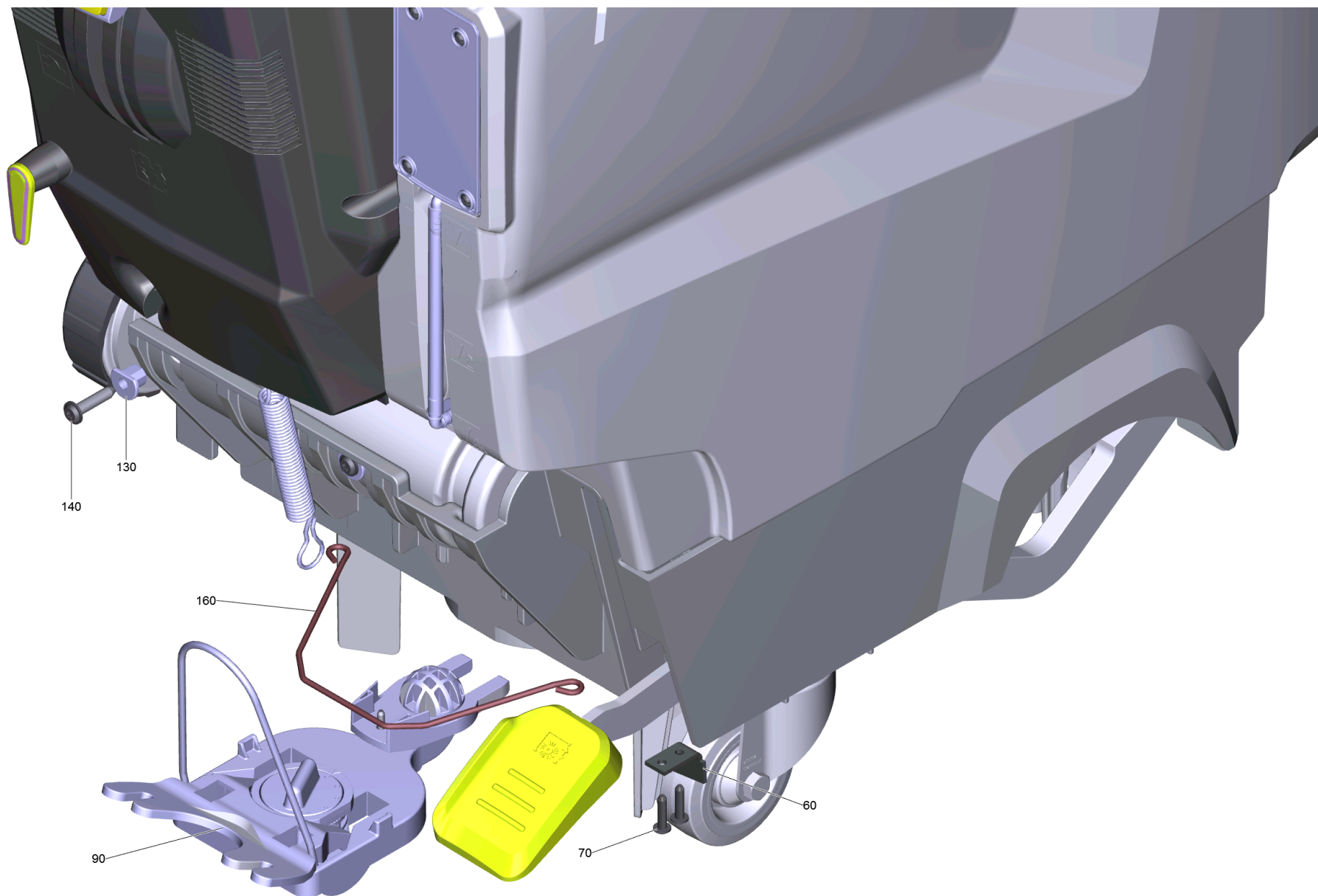


90 B 40 C Bp Classic (2.533-208.0)

POS	Article no.	Description	Quantity	Unit	Foot note text
10		Basic machinery B40	1	PC	
20		Control panel complete B40Bp C Classic	1	PC	
40		Electric equipment complete B40C Bp Clas	1	PC	
42	6.641-461.0	Cable clamp 20	1	PC	
60	7.303-107.0	Screw 5x16 -10.9-P2R (K-In6Rd)	4	PC	
70		Axle complete	1	PC	
100	6.472-007.3	Solenoid valve 24 V	1	PC	
120		Documentation Bp Classic	1	PC	
150	6.390-892.0	Spiral hose NW12	1	m	TO ORDER AS CUT GOODS
151	6.641-474.0	Cable tape 8-210	4	PC	
160	6.390-892.0	Spiral hose NW12	1	m	TO ORDER AS CUT GOODS
170	5.443-375.0	Hose stem	1	PC	
180	6.362-170.0	O-Ring seal 11,3 X 2,4-NBR 70	1	PC	
240	6.641-463.0	Cable tape	1	PC	
300	6.644-618.0	Pole binder	1	PC	
310	5.394-852.0	Covering cap battery terminal	1	PC	
320	6.641-463.0	Cable tape	2	PC	
330	7.303-107.0	Screw 5x16 -10.9-P2R (K-In6Rd)	5	PC	
340	7.311-000.0	Hexagon nut M3 -6-A2E ISO 4032	1	PC	
350	7.312-234.0	Serrated lock washer A3,2 -FSt-A3E DIN6	1	PC	
9520	2.815-099.0	Battery kit Gel 2x 12V/76Ah	1	SET	
9521	2.815-100.0	Battery kit Gel 2x 12V/105Ah	1	SET	
9522	2.815-090.0	Battery kit AGM 2x 12V/80Ah	1	SET	
9523	2.638-036.0	Mounting kit battery kit	1	PC	
9530	2.815-091.0	Battery kit AGM 2x 12V/115Ah	1	SET	
9531	2.638-059.0	Mounting kit battery kit	1	PC	

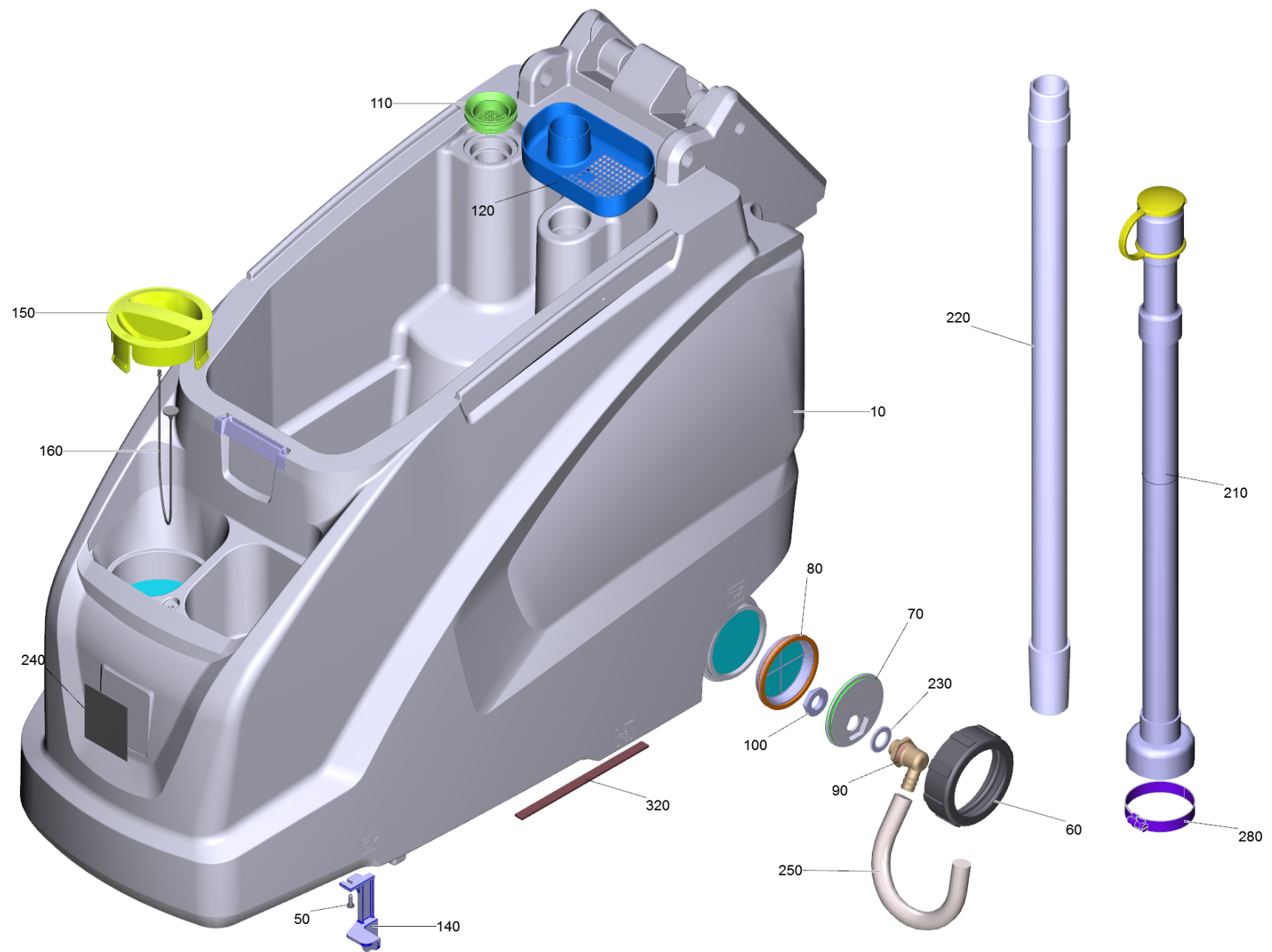


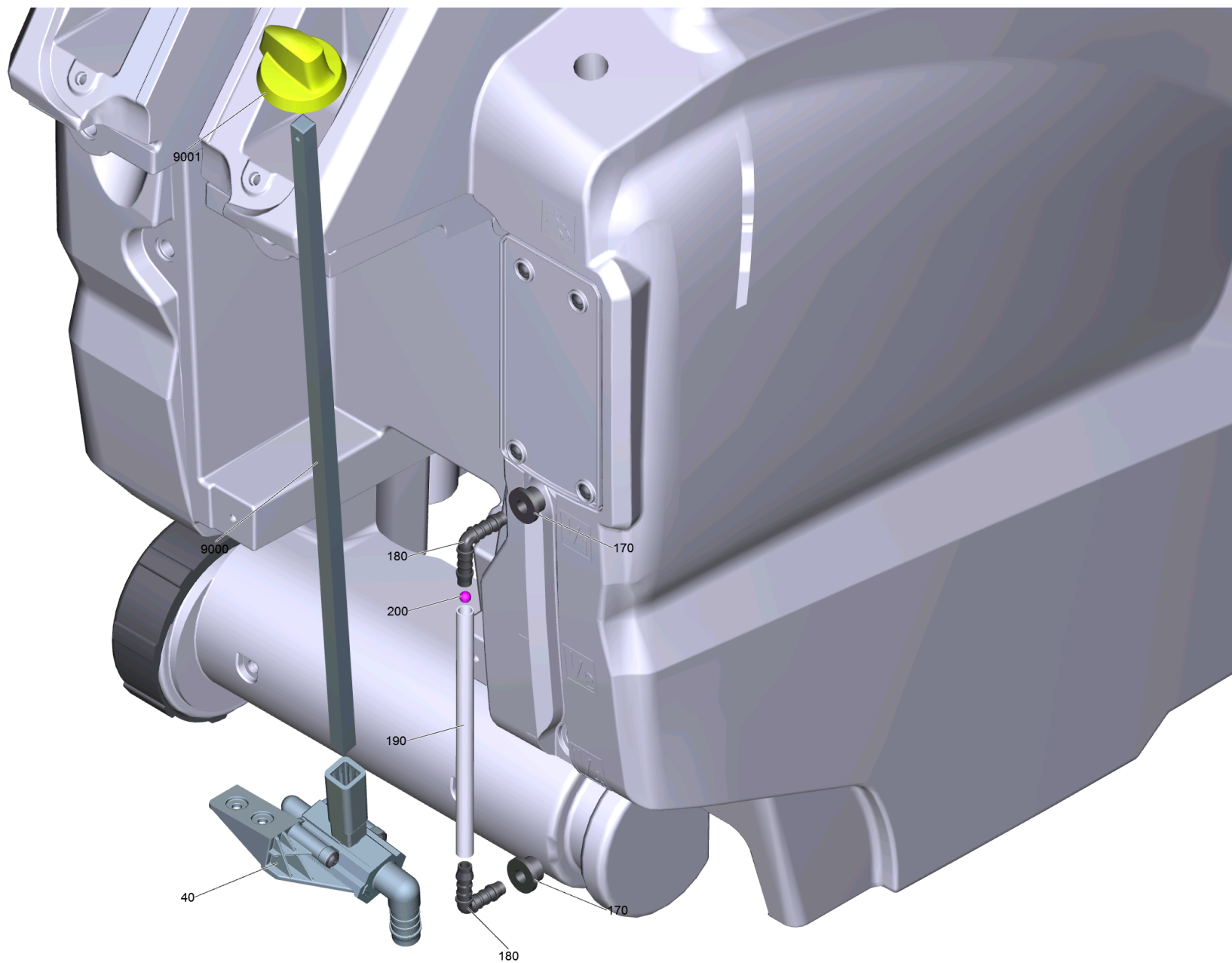


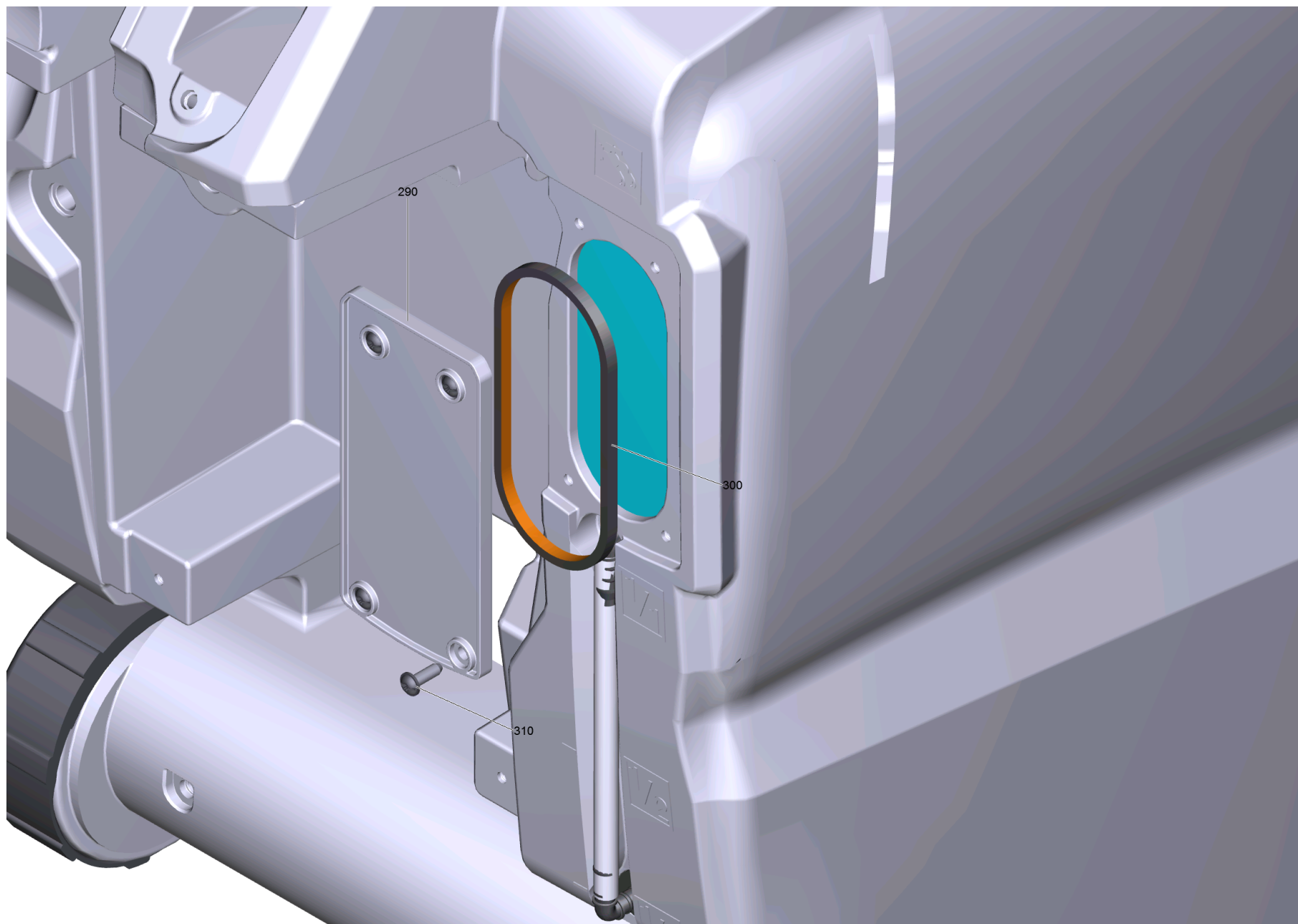


10 Basic machinery B40

POS	Article no.	Description	Quantity	Unit	Foot note text
10	4.035-335.0	Tank complete	1	PC	
20	5.035-350.0	Frame B40	1	PC	
30	6.435-011.3	Castor	2	PC	
40	6.303-315.0	Screw 8 x 35	8	PC	
50		Suspension brush-head complete	1	PC	
60	5.035-361.0	Sheet metal component	1	PC	
70	7.303-109.0	Screw 5x25 -10.9-R2R (In6Rd)	2	PC	
80		Covering cap rear complete	1	PC	
90		Suction bar lifting complete	1	PC	
100		Vacuum motor enclosure	1	PC	
110	7.303-107.0	Screw 5x16 -10.9-P2R (K-In6Rd)	13	PC	
120	5.035-334.0	Retaining bracket connecting rod	1	PC	
130	5.035-522.0	Sleeve	3	PC	
140	6.303-315.0	Screw 8 x 35	3	PC	
160	5.035-440.0	Wire spring	1	PC	
170	5.035-488.0	Adapter Homebase	1	PC	
180	6.980-077.0	Double hook	1	PC	
190	6.273-090.0	Sealing tape 13x3	1	m	TO ORDER AS CUT GOODS
200	5.035-726.0	Plate	1	PC	
210	7.303-107.0	Screw 5x16 -10.9-P2R (K-In6Rd)	1	PC	
220	6.641-465.0	Cable tape	1	PC	
260	6.647-081.0	Cable tape	1	PC	

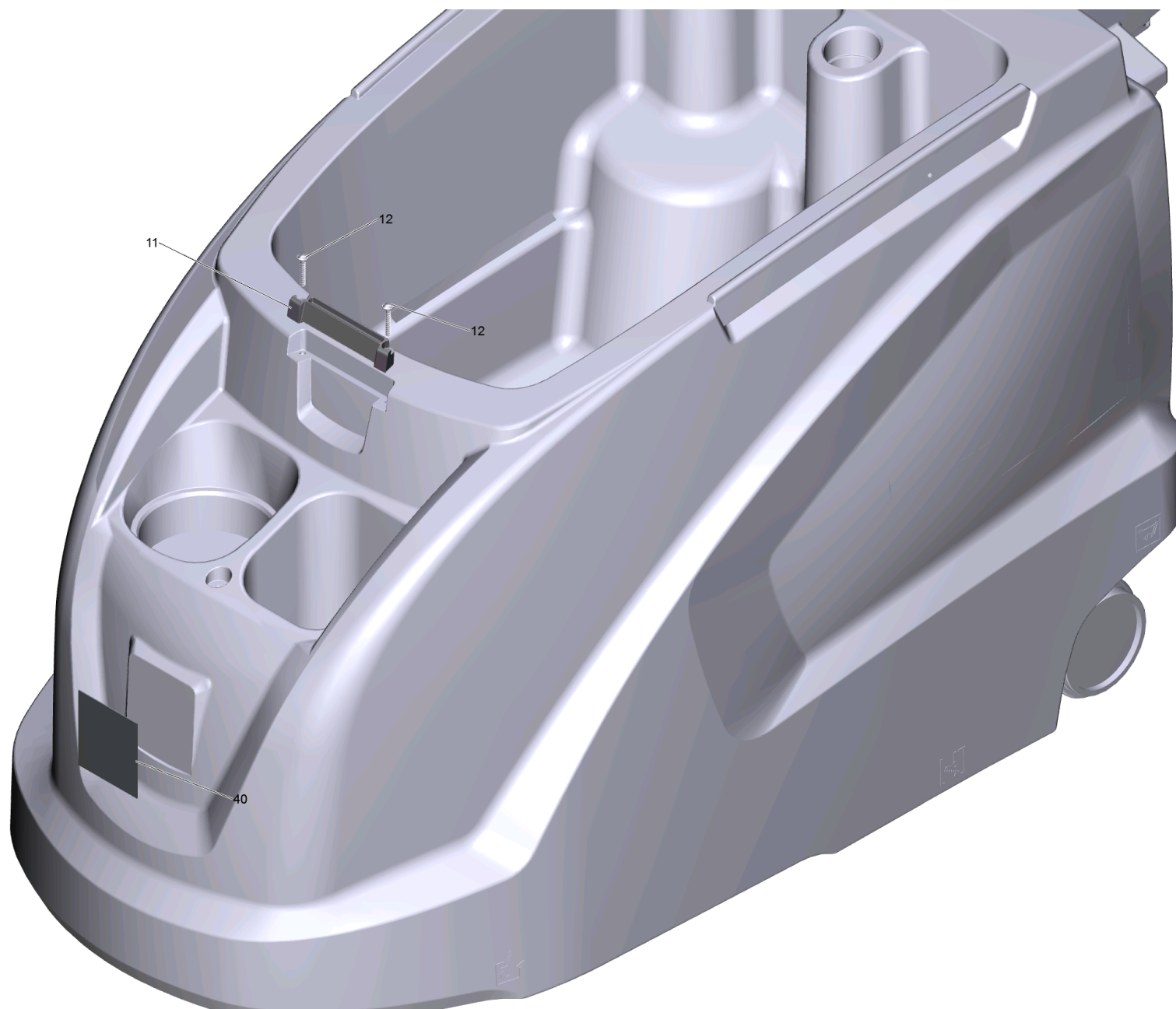






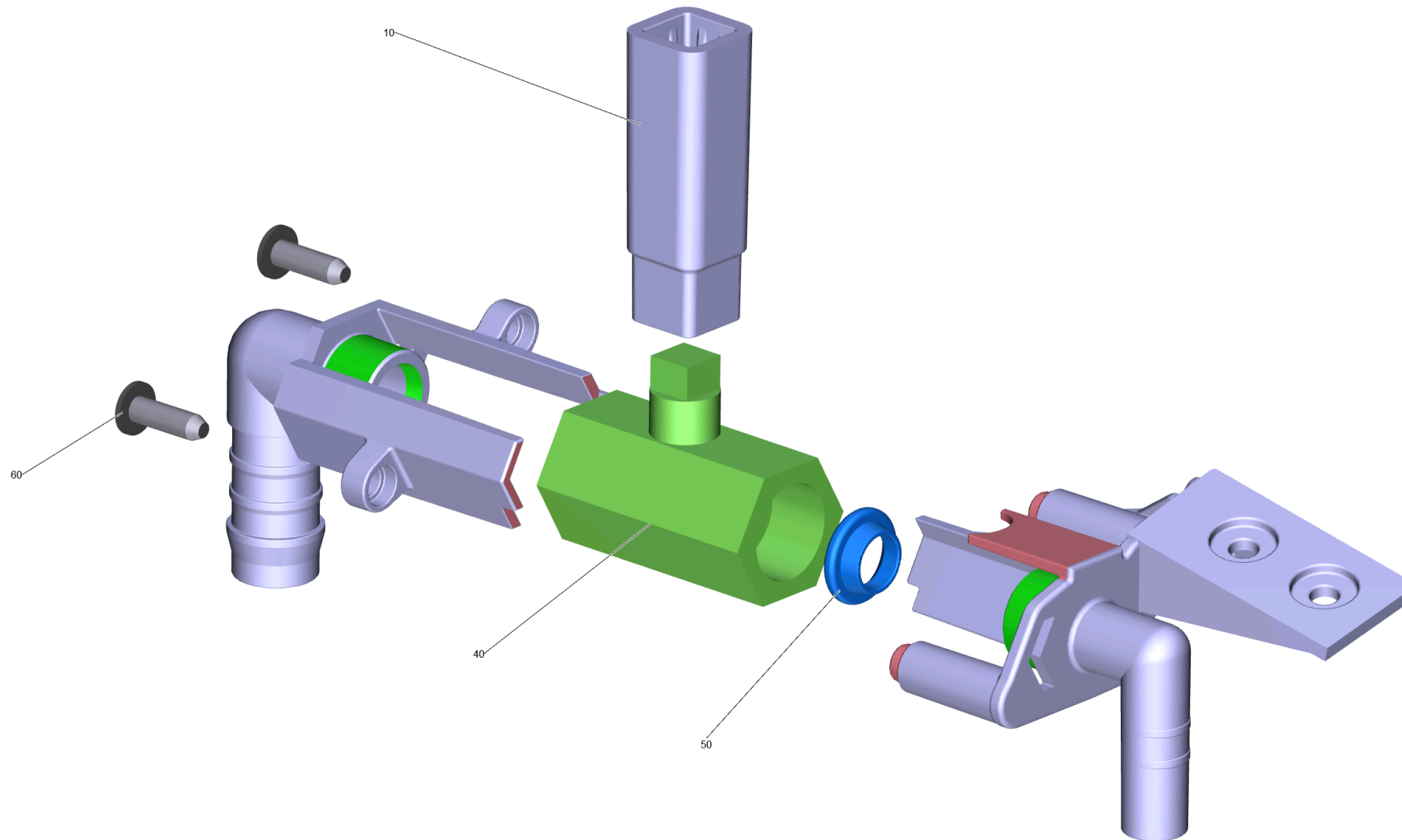
10 Tank complete (4.035-335.0)

POS	Article no.	Description	Quantity	Unit	Foot note text
10	4.035-429.0	Tank replacement B40	1	PC	
40	4.035-426.0	Ball valve complete replacement	1	PC	
50	7.303-107.0	Screw 5x16 -10.9-P2R (K-In6Rd)	3	PC	
60	5.035-341.0	Cover fresh water tank discharge	1	PC	
70	5.035-342.0	Hose connection fresh water discharge	1	PC	
80	5.035-376.0	Filter discharge	1	PC	
90	6.395-163.3	Angle bushing G1-2	1	PC	
100	6.310-004.0	Hexagon nut G 1/2"	1	PC	
110	5.515-266.0	Joint ring fluffing strainer	1	PC	
120	5.036-932.0	Tank bulk waste yellow	1	PC	
140	5.035-435.0	Tank locking part	1	PC	
150	5.034-099.0	Cover fresh water metering RM	1	PC	
160	5.035-358.0	Mounting rope cover fresh water tank	1	PC	
170	5.035-608.0	Wire protecting sleeve	2	PC	
180	6.391-913.0	Elbow nipple	2	PC	
190	5.035-328.0	Silicon hose level indicator	1	PC	
200	6.035-072.0	Sphere level indicator D6	1	PC	
210	4.035-285.0	Drain hose with cover PU	1	PC	OIL RESISTANT
220	6.392-471.0	Suction hose PU DN32	1	PC	
230	5.515-253.0	Seal D34	1	PC	
240	5.394-081.0	Label signet gel 78x86	1	PC	
250	6.390-324.0	Hose DN16	1	m	TO ORDER AS CUT GOODS
280	6.388-767.0	Hose clip 70- 90	1	PC	
290	4.035-370.0	Screen filling system	1	PC	
300	5.035-418.0	Seal fixing plate	1	PC	
310	7.303-107.0	Screw 5x16 -10.9-P2R (K-In6Rd)	4	PC	
320	6.273-043.0	Sealing tape cellularrubber 9x4	1	m	TO ORDER AS CUT GOODS
9000	5.035-369.0	Bar	1	PC	
9001	5.035-404.0	Handle	1	PC	



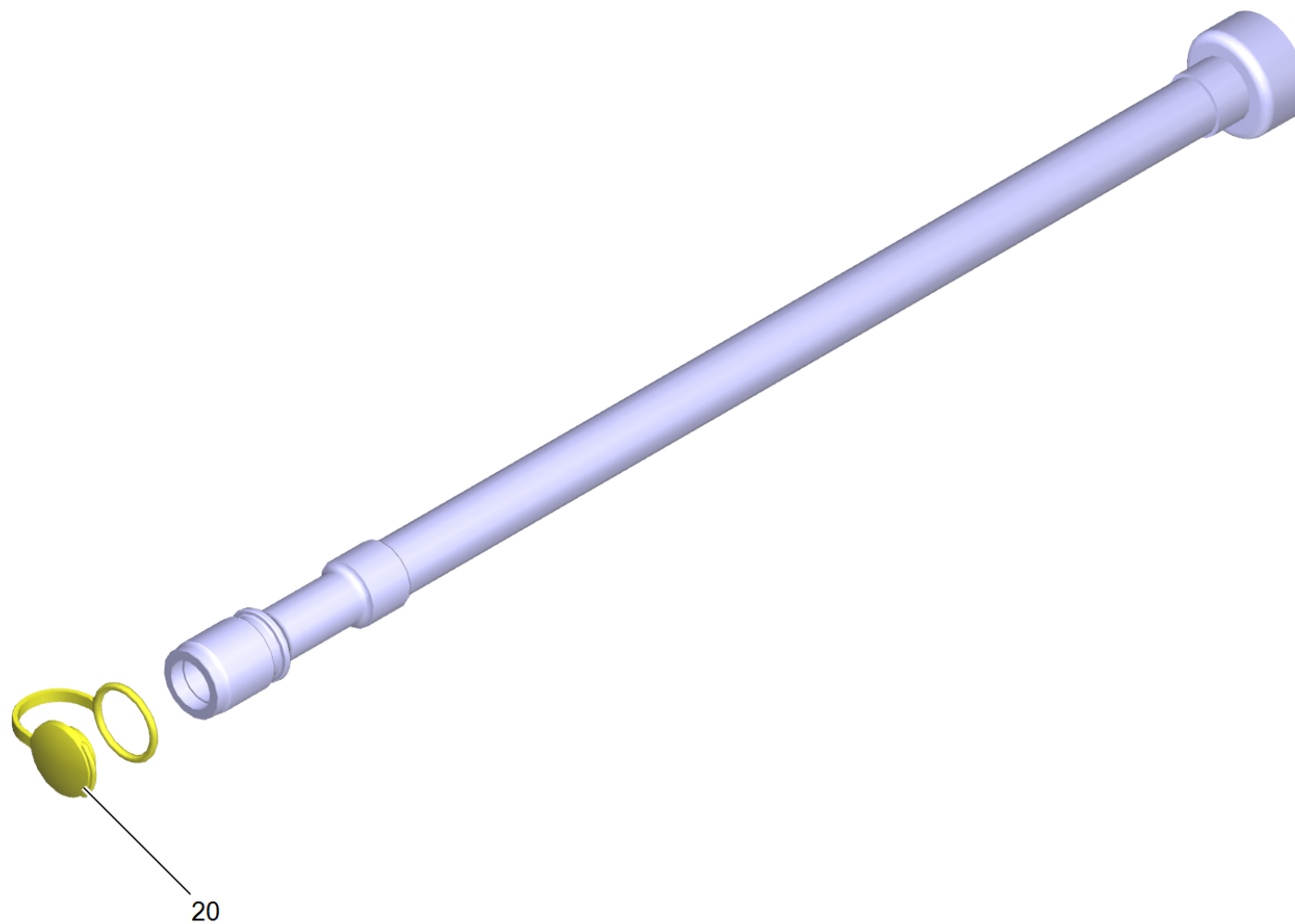
10 Tank replacement B40 (4.035-429.0)

POS	Article no.	Description	Quantity	Unit
11	5.035-482.0	Add-on part tank cover	1	PC
12	7.303-086.0	Screw 5x30 -10.9-R2R (K-In6Rd)	2	PC
40	5.394-081.0	Label signet gel 78x86	1	PC



40 Ball valve complete replacement (4.035-426.0)

POS	Article no.	Description	Quantity	Unit
10	5.035-459.0	Coupler piece ball valve	1	PC
40	6.413-586.0	Ball valve without handhold	1	PC
50	5.035-770.0	Seal ball valve	2	PC
60	7.303-107.0	Screw 5x16 -10.9-P2R (K-In6Rd)	2	PC

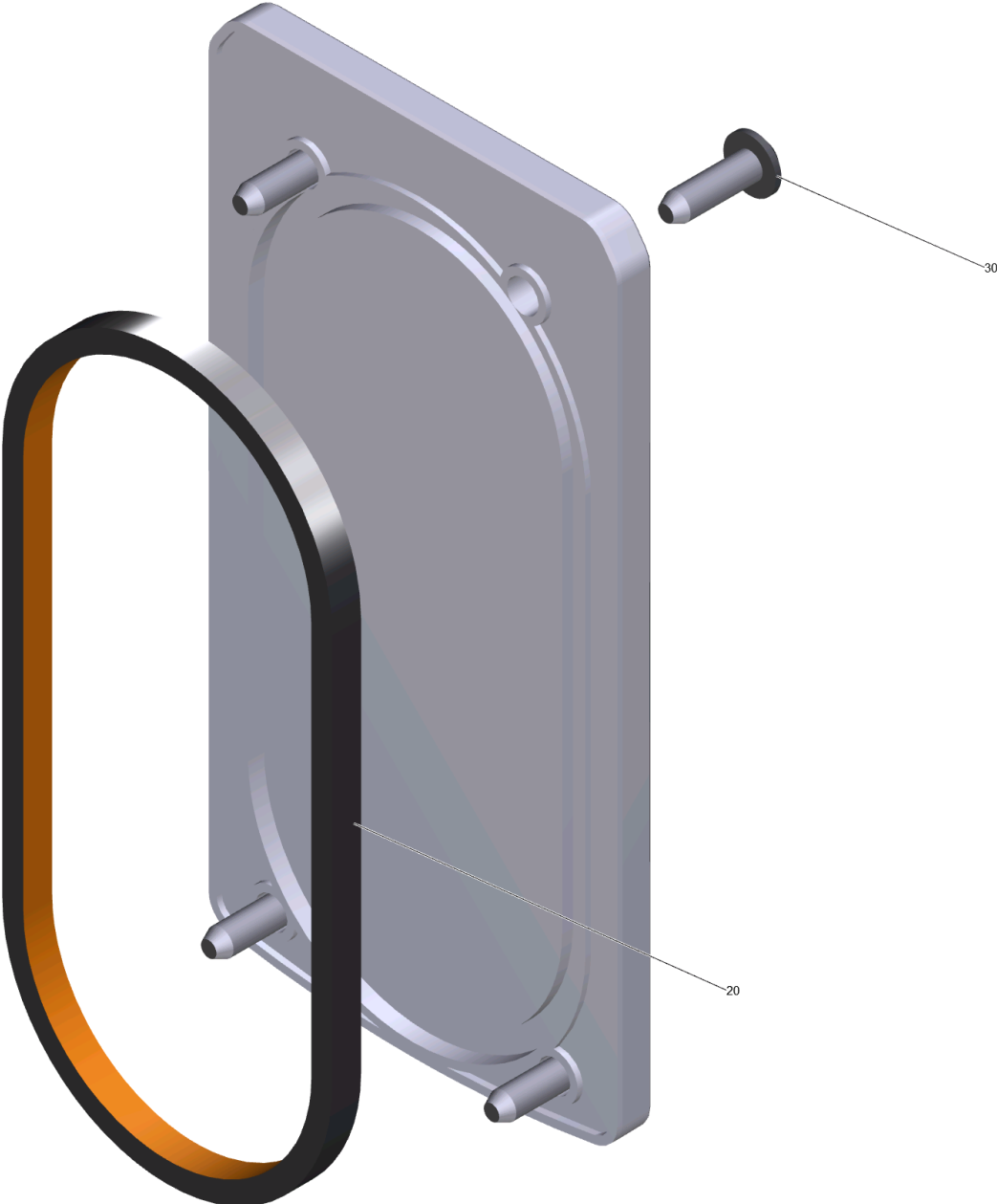


210 Drain hose with cover PU (4.035-285.0)

POS	Article no.	Description	Quantity	Unit
20	5.036-249.0	Cover plate drain hose yellow PU	1	PC

290 Screen filling system (4.035-370.0)

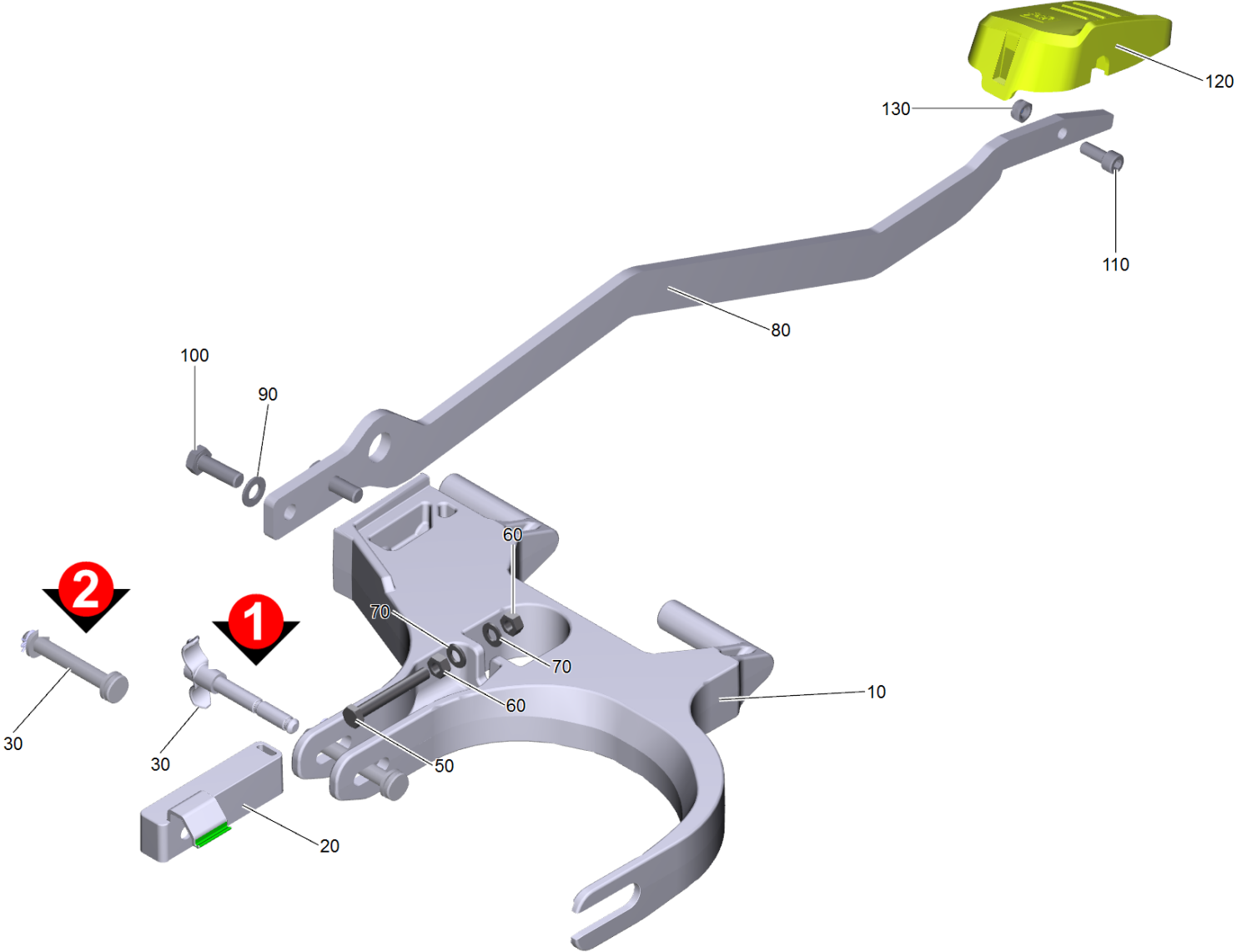
POS	Article no.	Description	Quantity	Unit
10	4.035-370.7	Screen filling system	1	PC



10 Screen filling system (4.035-370.7)

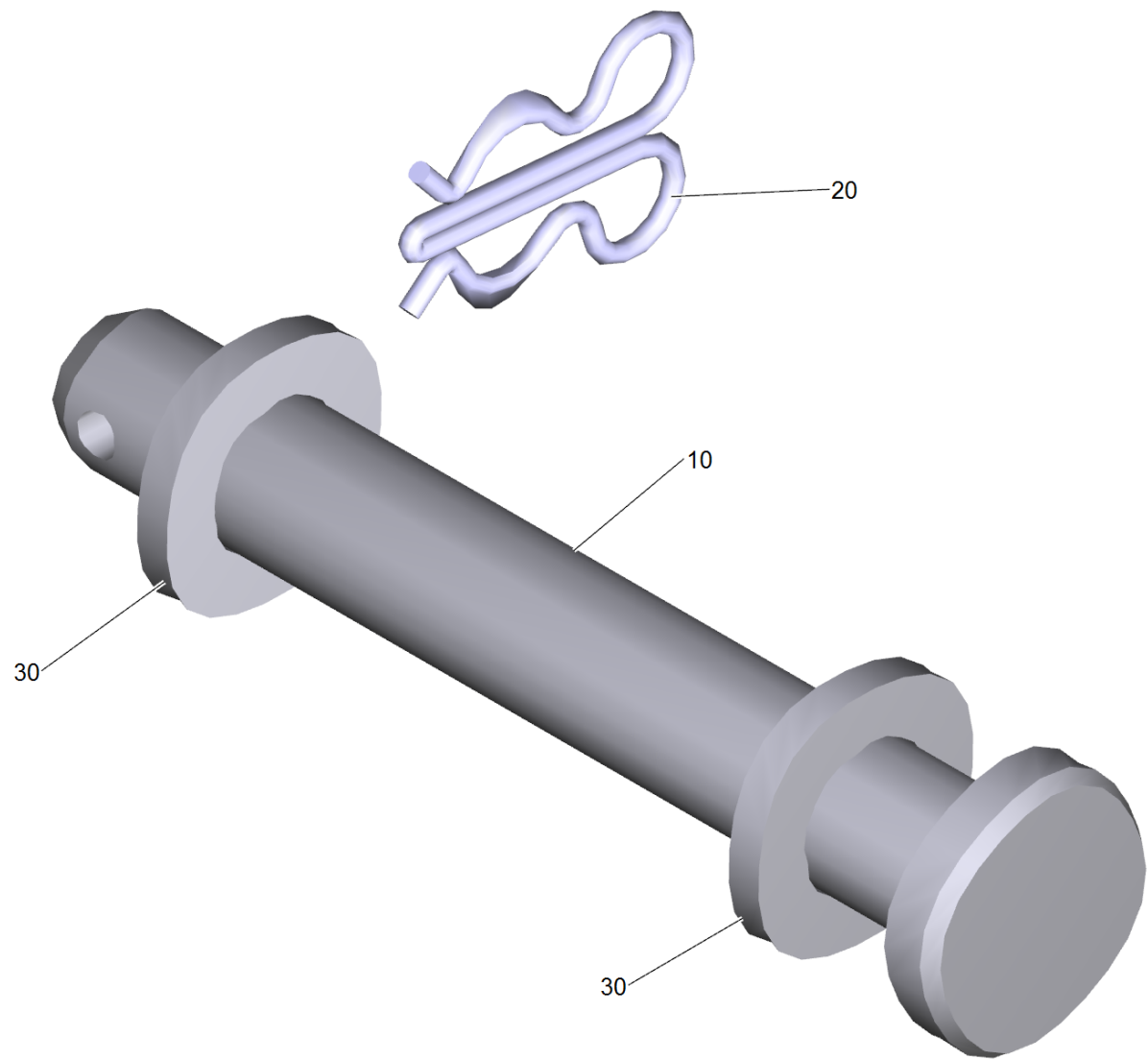
POS	Article no.	Description	Quantity	Unit
20	5.035-418.0	Seal fixing plate	1	PC
30	7.303-107.0	Screw 5x16 -10.9-P2R (K-In6Rd)	4	PC

50 Suspension brush-head complete



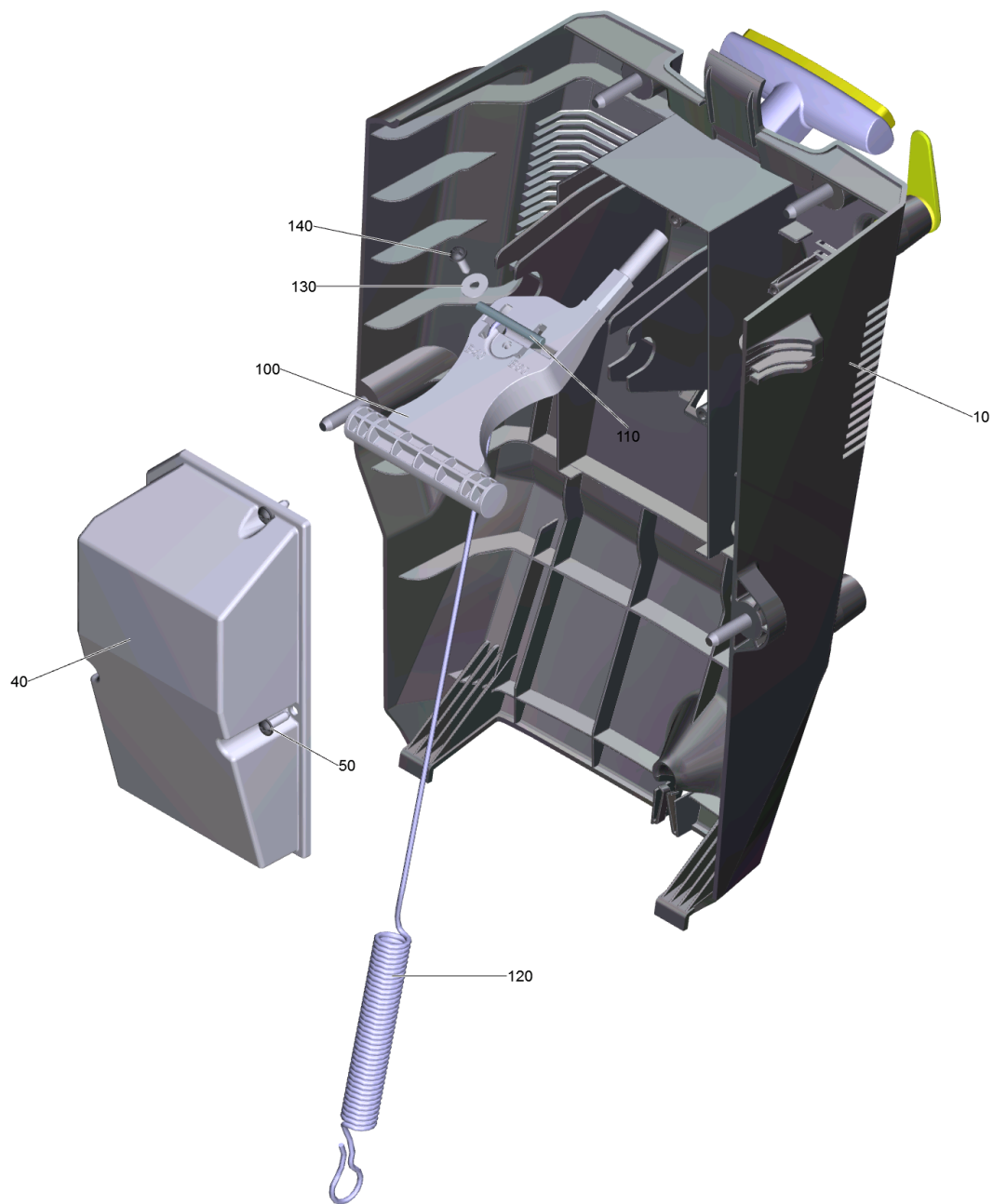
50 Suspension brush-head complete

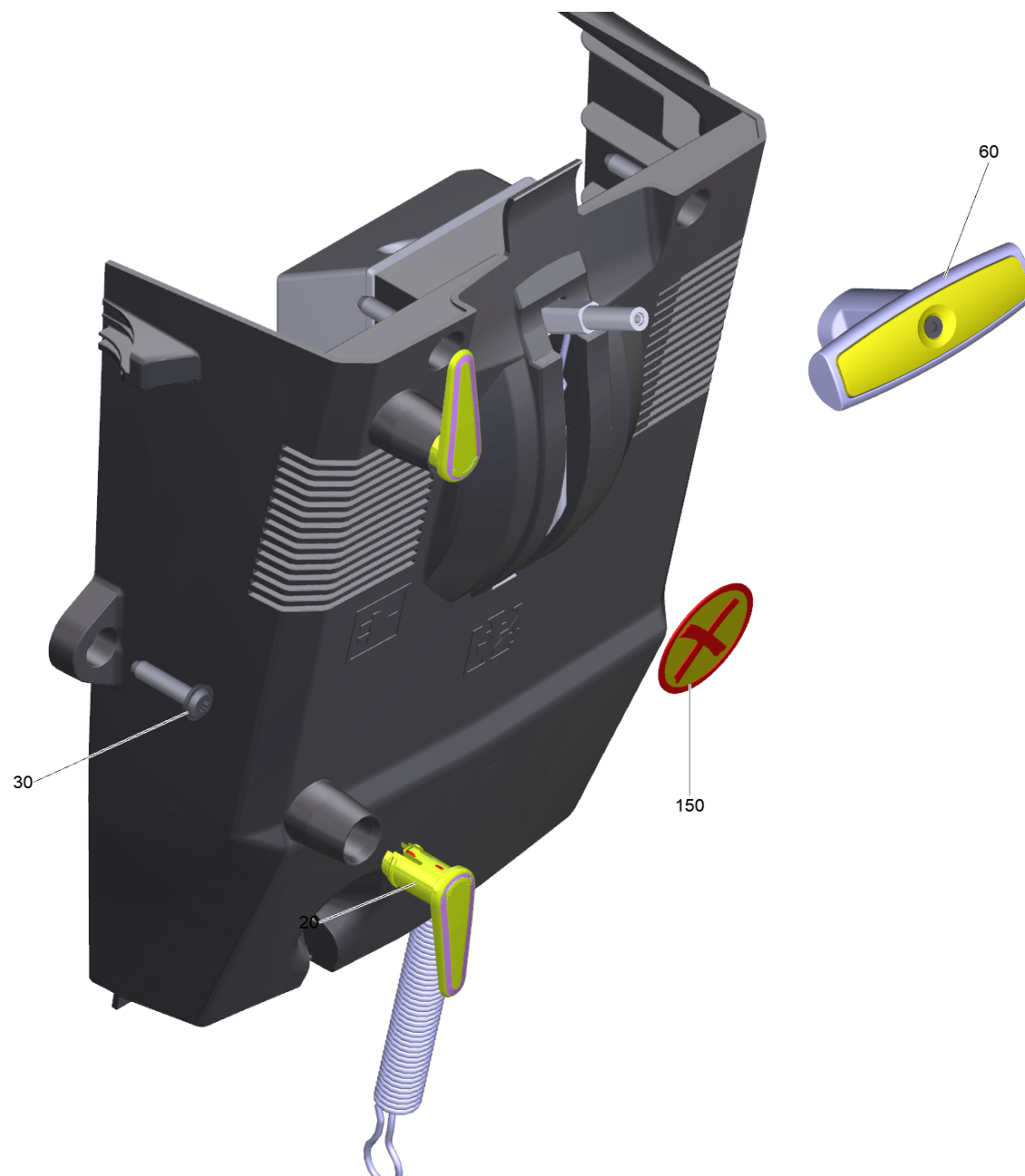
POS	Article no.	Description	Quantity	Unit	Foot note text
10	5.035-675.0	Suspension brush-head triple	1	PC	
20	5.035-377.0	Adjusting element brush-head	1	PC	
30	4.035-584.0	Bolt complete	1	PC	VERSION 2
30	5.035-865.0	Handhold bolt brush-head	1	PC	VERSION 1
50	7.304-262.0	Hexagonal head screw M8x60-A4-70 ISO 40	1	PC	
60	7.311-068.0	Hexagon nut M 8-A2-70 ISO 4032	2	PC	
70	7.312-004.0	Washer 8 -200HV-A3E ISO 7089	2	PC	
80	5.035-370.0	Lever plate brush-head	1	PC	
90	7.312-005.0	Washer 10-200HV-A3E ISO 7089	2	PC	
100	7.304-417.0	Hexagonal head screw M10x30-8.8-A3E ISO	2	PC	
110	7.306-041.0	Cylinder head screw M8x20 -8.8-A2E ISO	1	PC	
120	5.035-374.0	Pedal brush-head	1	PC	
130	7.311-432.0	Hexagon nut M 8-1.4305 DIN 985	1	PC	



30 Bolt complete (4.035-584.0)

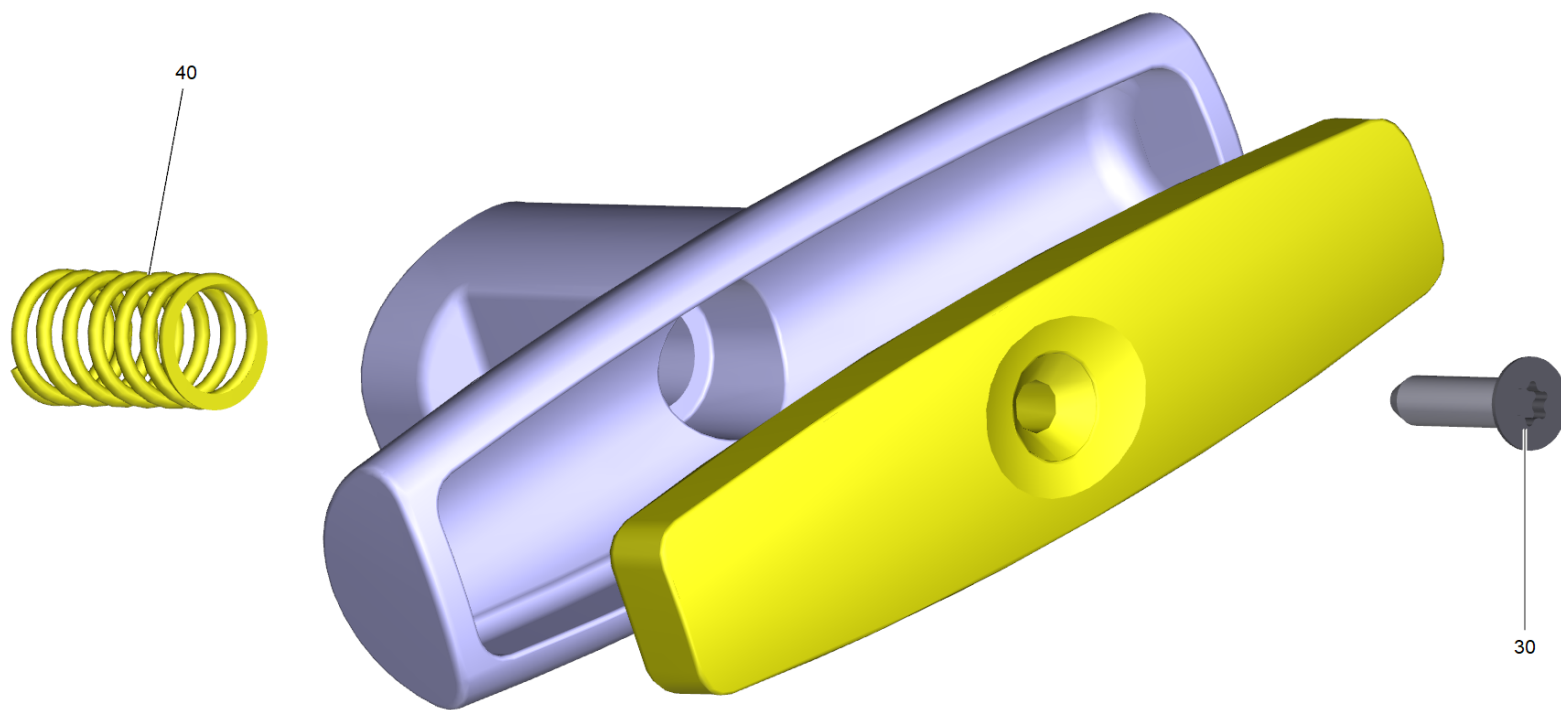
POS	Article no.	Description	Quantity	Unit
10	7.316-045.0	Bolt B 10x75 -St-A2E ISO 2341	1	PC
20	6.035-047.0	Spring clip double	1	PC
30	7.312-153.0	Washer 10 -160HV-A3E EN28738	2	PC





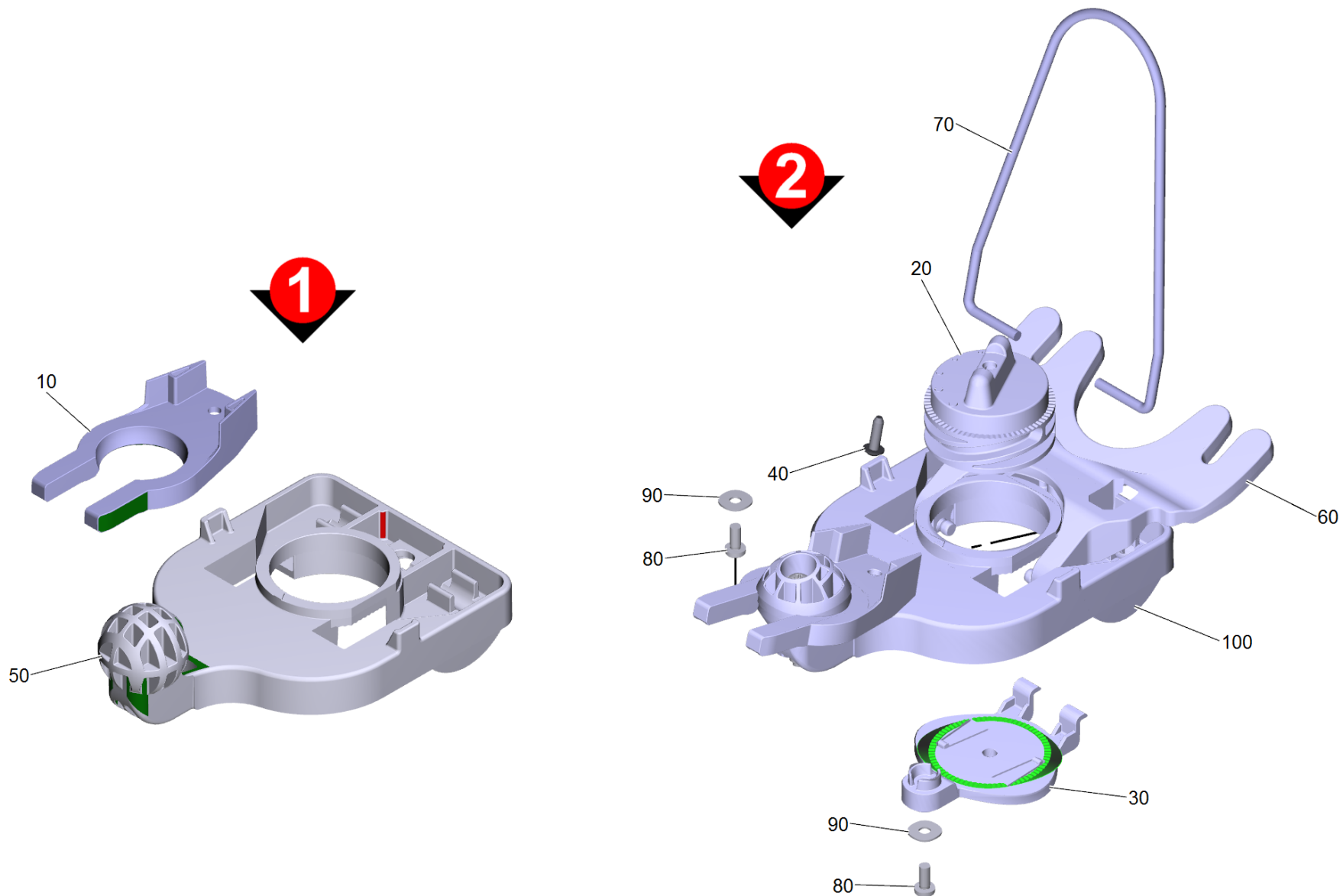
80 Covering cap rear complete

POS	Article no.	Description	Quantity	Unit
10	5.035-366.0	Covering cap	1	PC
20	5.044-661.0	Catch for cable yellow	2	PC
30	6.303-315.0	Screw 8 x 35	4	PC
40	5.035-446.0	Cover covering cap rear	1	PC
50	7.303-107.0	Screw 5x16 -10.9-P2R (K-In6Rd)	3	PC
60	4.035-612.0	Set handhold adjustment	1	PC
100	5.035-445.0	Lever suction bar	1	PC
110	5.035-453.0	Axle lever suction bar	1	PC
120	5.035-423.0	Extension spring	1	PC
130	7.312-282.0	Washer 5 -A2 ISO 7093-1	1	PC
140	7.303-107.0	Screw 5x16 -10.9-P2R (K-In6Rd)	1	PC
150	5.380-889.0	Warning sign BR-BD 750	1	PC



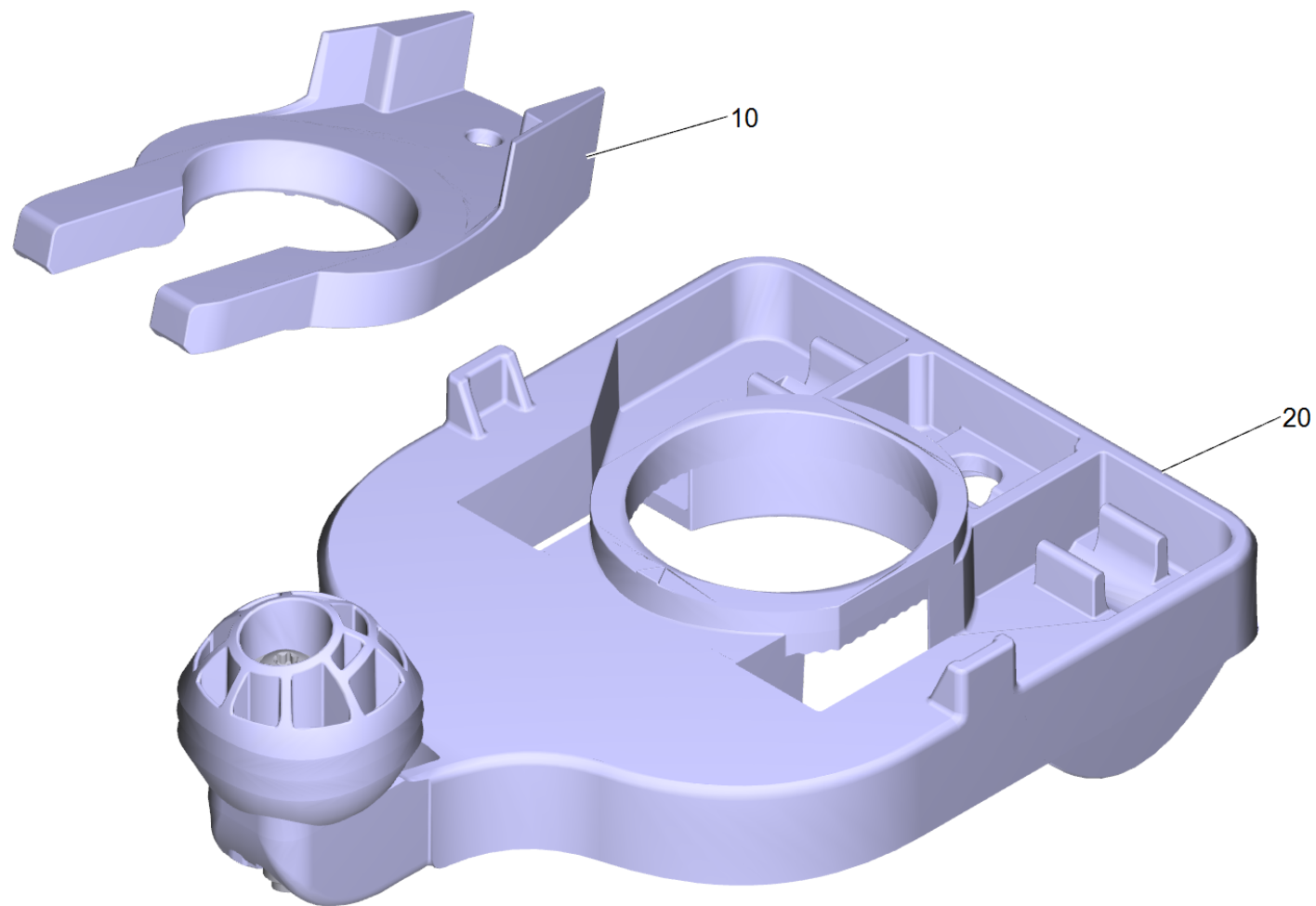
60 Set handhold adjustment (4.035-612.0)

POS	Article no.	Description	Quantity	Unit
30	7.303-128.0	Countersunk screw 5x20 -10.9-R2R (In6Rd)	1	PC
40	5.332-481.0	Helical spring	1	PC



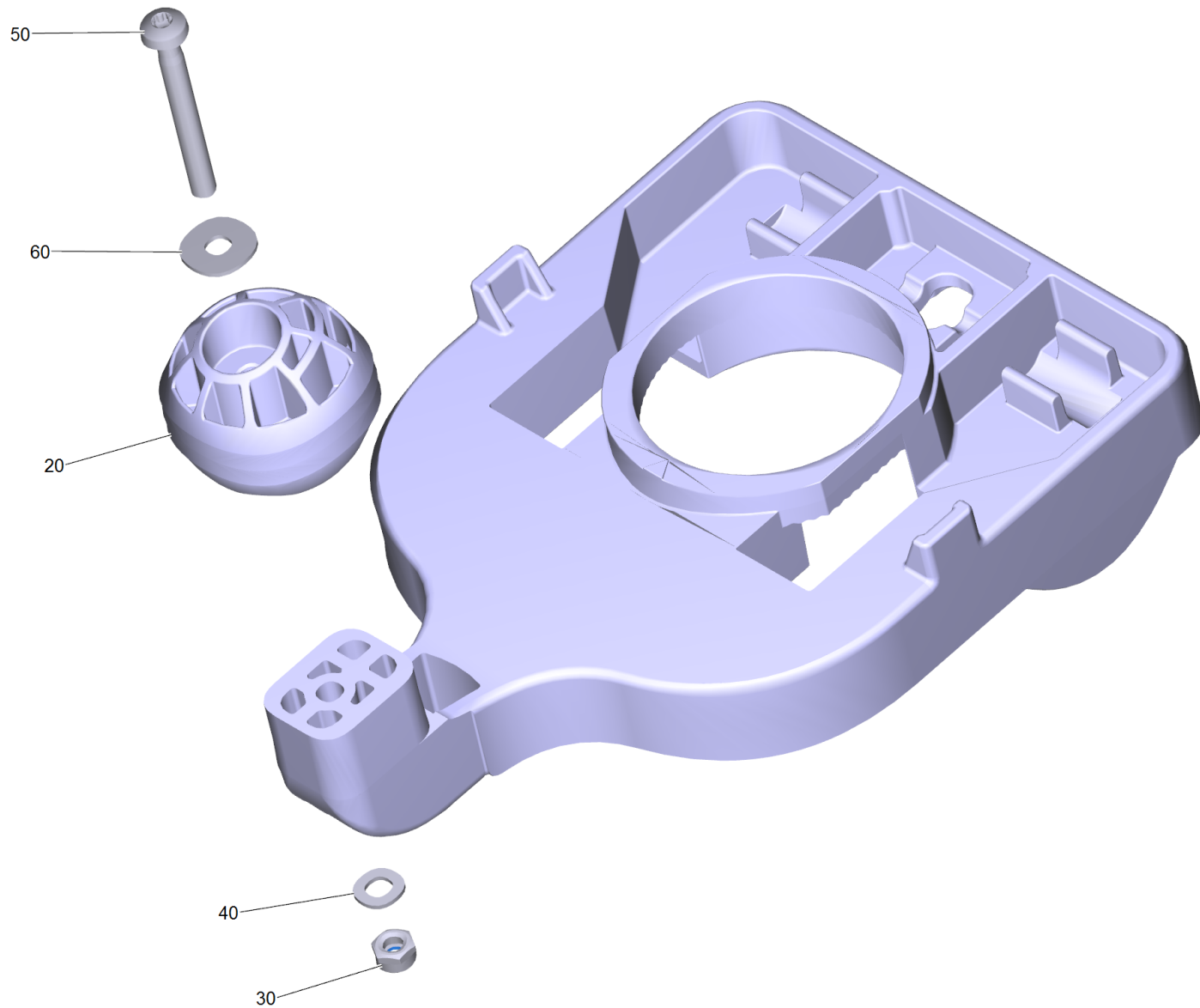
90 Suction bar lifting complete

POS	Article no.	Description	Quantity	Unit	Foot note text
10	7.777-999.0	Stockpiling discontinued	1	PC	VERSION 1
20	5.035-292.0	Adjusting knob suction bar toothing	1	PC	
30	5.035-293.0	Covering cap suction bar toothing	1	PC	
40	7.303-109.0	Screw 5x25 -10.9-R2R (In6Rd)	1	PC	
50	7.777-999.0	Stockpiling discontinued	1	PC	VERSION 1
60	5.036-103.0	Rocker suction bar	1	PC	
70	5.035-382.0	Retaining bracket suction bar	1	PC	
80	6.306-003.0	Screw M5X12-A2/70-ISO 14583 (IN6RD)	2	PC	with microencapsulation
90	7.312-282.0	Washer 5 -A2 ISO 7093-1	2	PC	
100	4.035-583.0	Holder suction bar complete	1	PC	VERSION 2



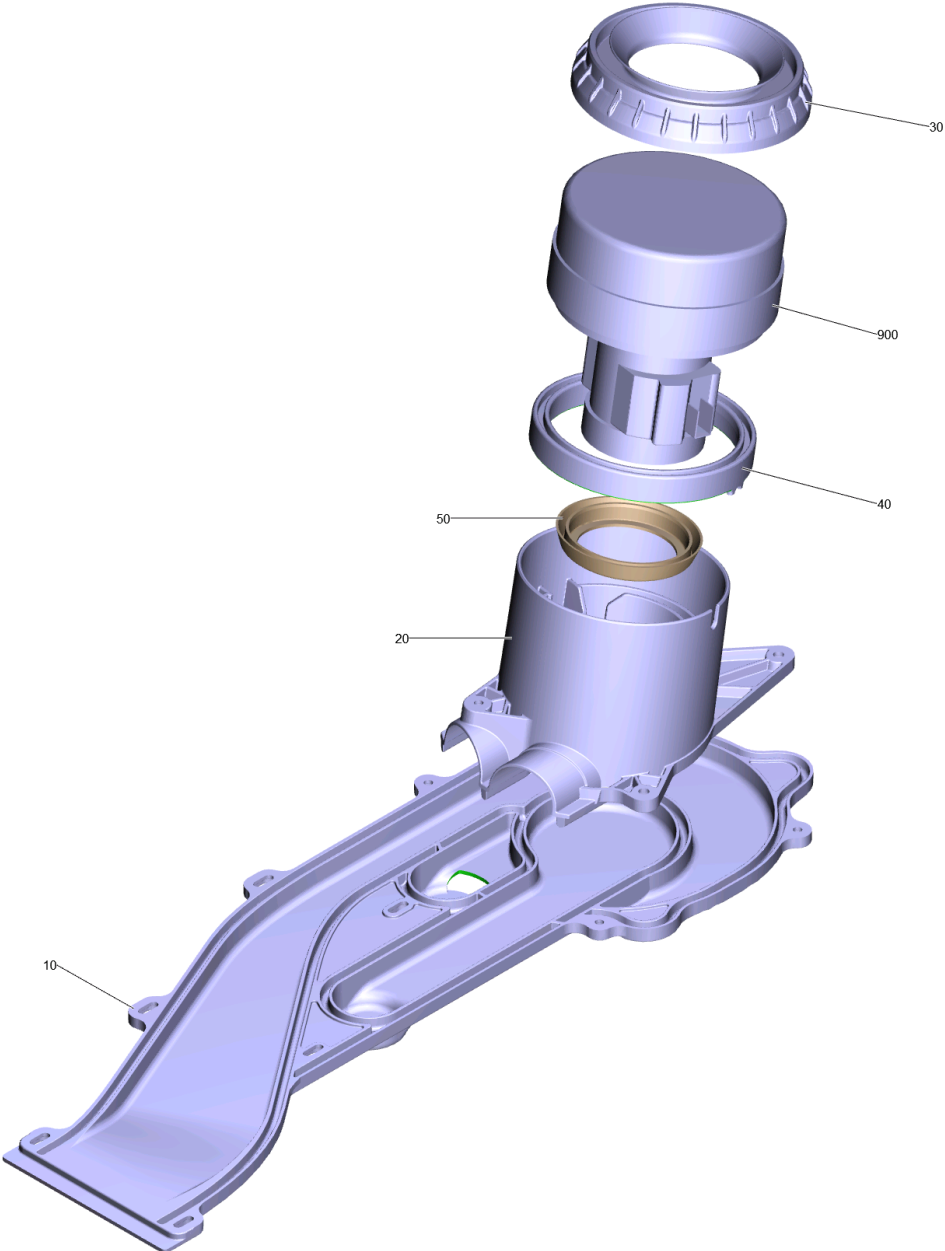
100 Holder suction bar complete (4.035-583.0)

POS	Article no.	Description	Quantity	Unit
10	5.005-005.0	FIXING PLATE SUCTION BAR ALU	1	PC
20	4.037-137.3	Holder suction bar	1	PC



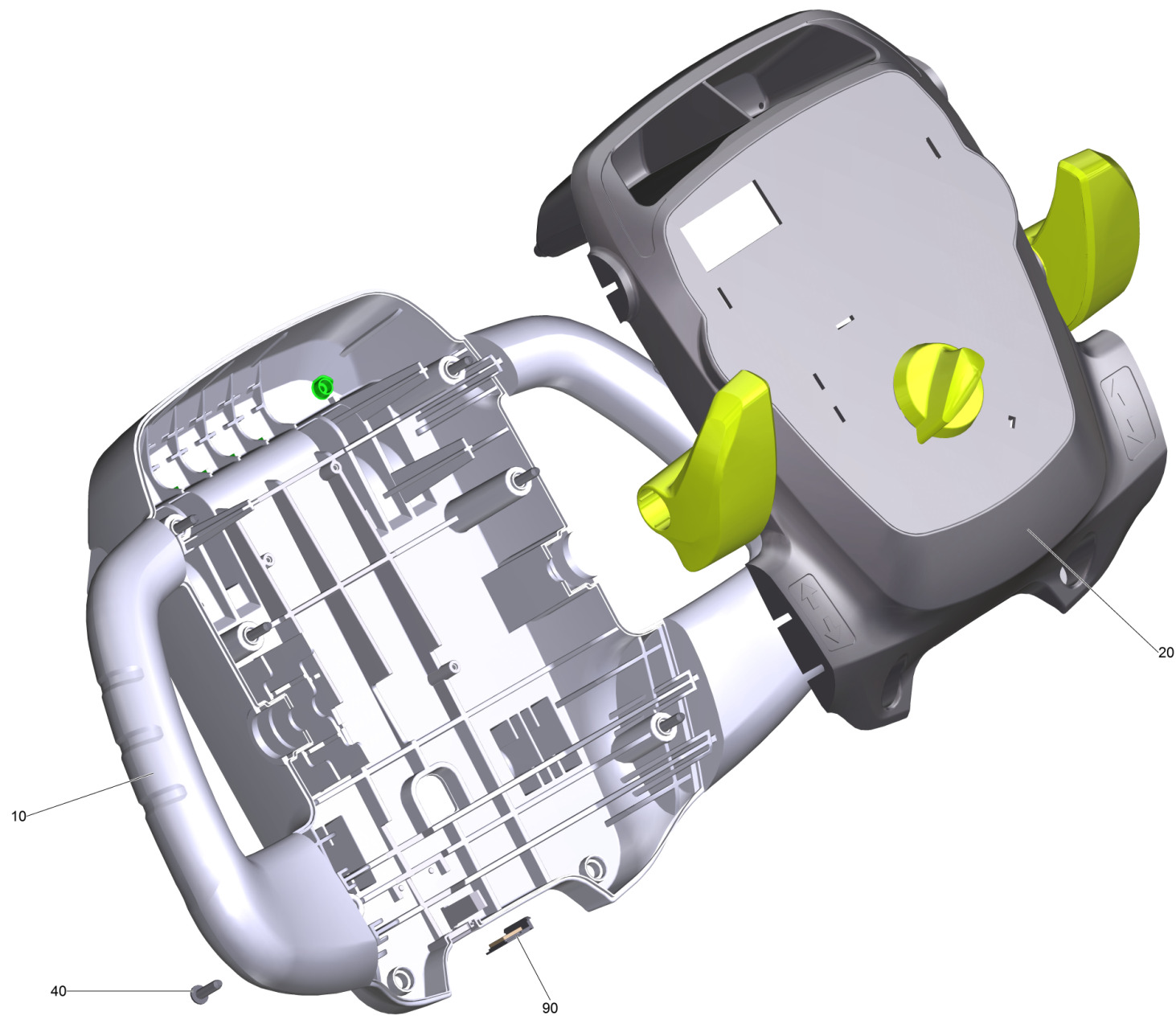
20 Holder suction bar (4.037-137.3)

POS	Article no.	Description	Quantity	Unit
20	5.037-579.0	Sphere suction bar suspension	1	PC
30	7.311-431.0	Hexagon nut M 5-1.4305 DIN 985	1	PC
40	7.312-052.0	Washer 5 -A2 ISO 7089	1	PC
50	7.306-215.0	Screw M5x45 -8.8-P2R (In6Rd)	1	PC
60	7.312-282.0	Washer 5 -A2 ISO 7093-1	1	PC



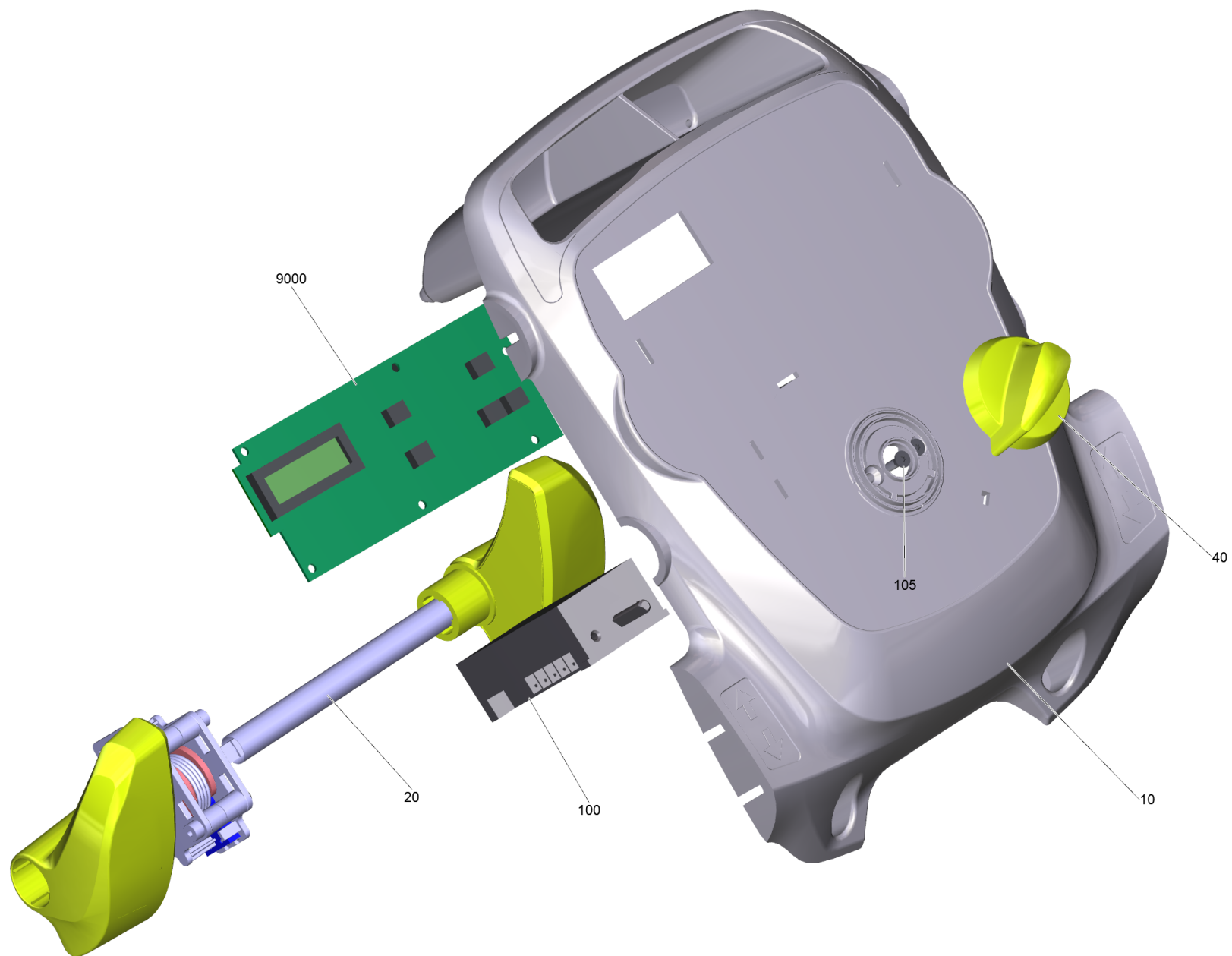
100 Vacuum motor enclosure

POS	Article no.	Description	Quantity	Unit
10	5.034-034.0	Air circulation turbine above foamed	1	PC
20	5.034-032.0	Air circulation turbine bottom	1	PC
30	5.035-333.0	Bearing vacuum motor	1	PC
40	5.035-332.0	Joint ring turbine	1	PC
50	5.363-395.0	Seal	1	PC
900	4.035-580.0	Vacuum motor replacement	1	PC
910	4.034-009.0	Air circulation turbine replacement	1	PC



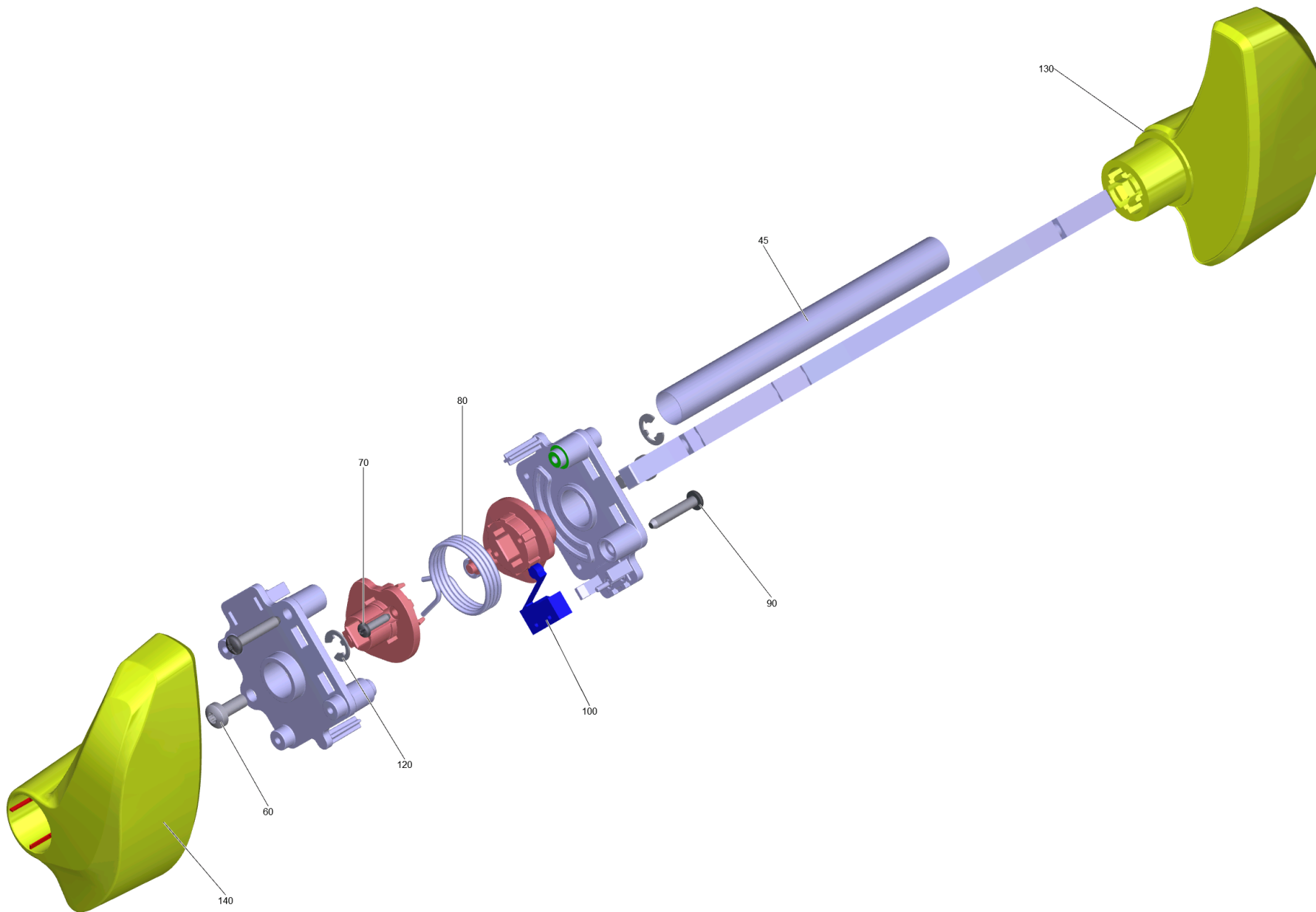
20 Control panel complete B40Bp C Classic

POS	Article no.	Description	Quantity	Unit	Foot note text
10	4.035-132.0	Housing control panel replacement B40 C	1	PC	WITHOUT SLOT FOR 5.033-829.0
10	5.035-219.0	Housing bottom part control panel	1	PC	WITH SLOT FOR 5.033-829.0
20		Covering cap control panel complete B40C	1	PC	
40	7.303-108.0	Screw 5x20 -10.9-R2R (In6Rd)	6	PC	
90	5.033-829.0	Rubber stopper control panel	1	PC	



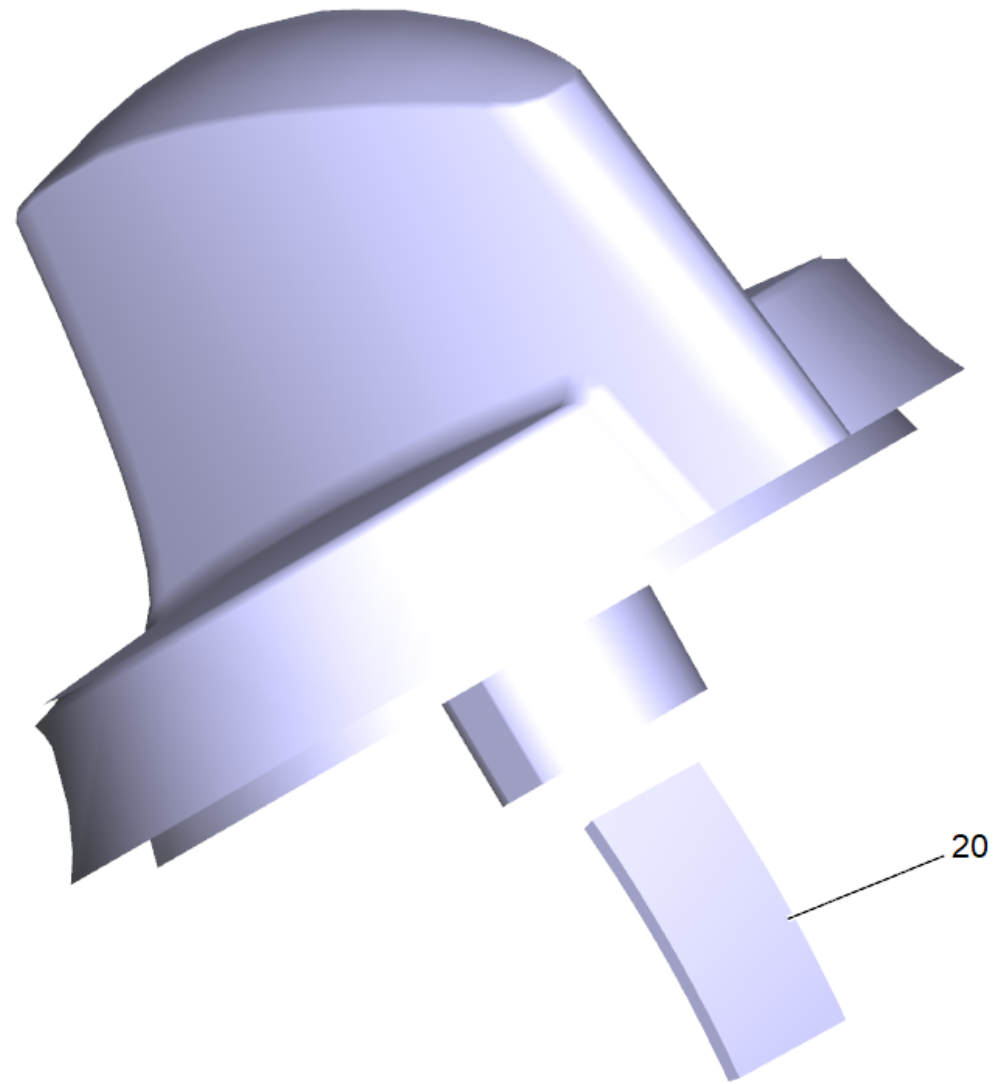
20 Covering cap control panel complete B40C

POS	Article no.	Description	Quantity	Unit	Foot note text
10	4.035-119.0	Covering cap control panel replacement B	1	PC	WITH SLOT FOR 5.033-829.0
10	4.035-539.0	Covering cap control panel foil Bp C Cla	1	PC	WITHOUT SLOT FOR 5.033-829.0
20	4.035-984.0	Tachograph set Bp	1	PC	
40	4.035-608.0	Handhold operational concept complete	1	PC	
100	4.035-540.0	Switch program selection replacement	1	PC	
105	7.305-036.0	Countersunk screw M4x12 -A2-70-s (IN6RD	2	PC	
9000	6.683-239.0	Control circuit board BR/D530 B40Classic	1	PC	



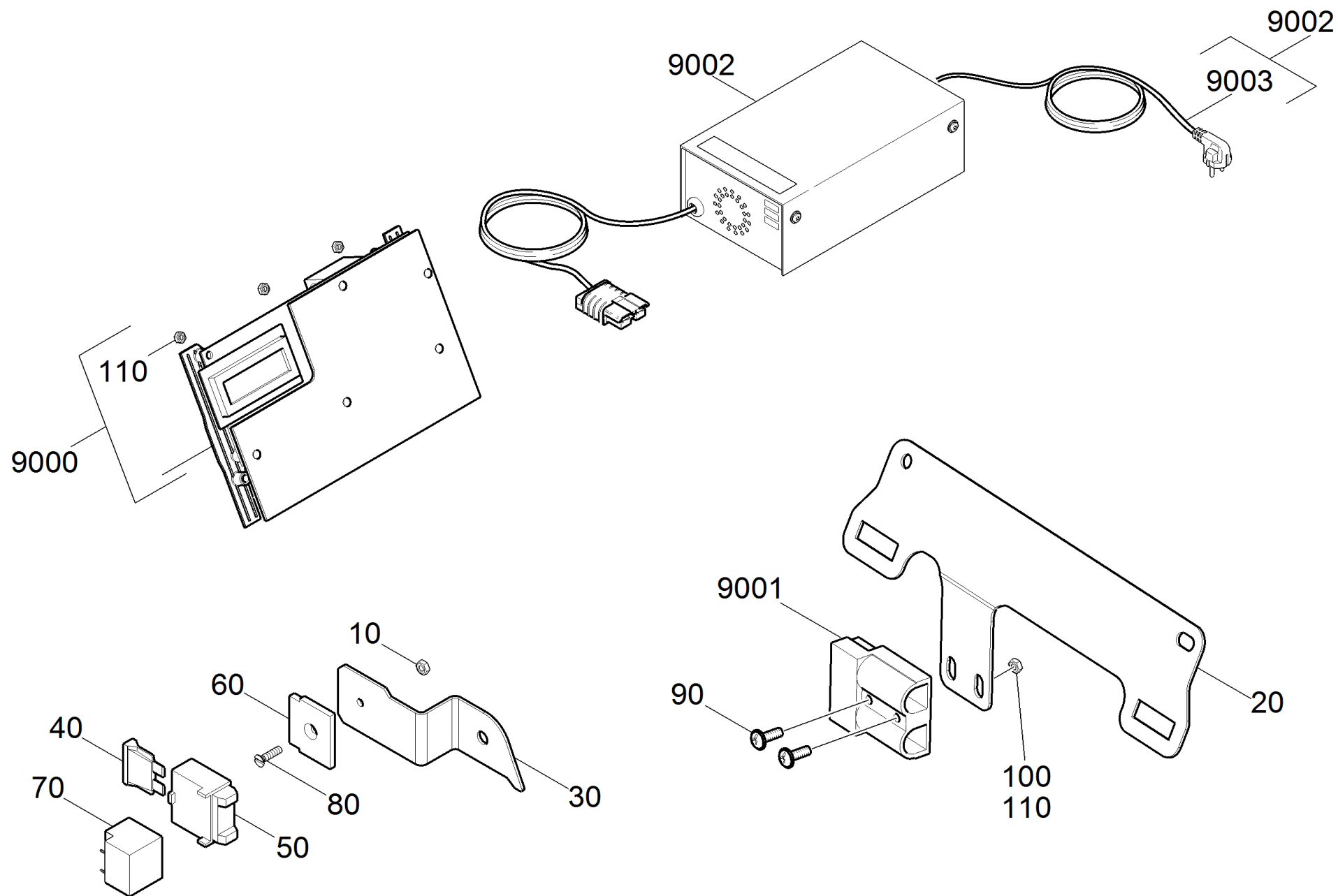
20 Tachograph set Bp (4.035-984.0)

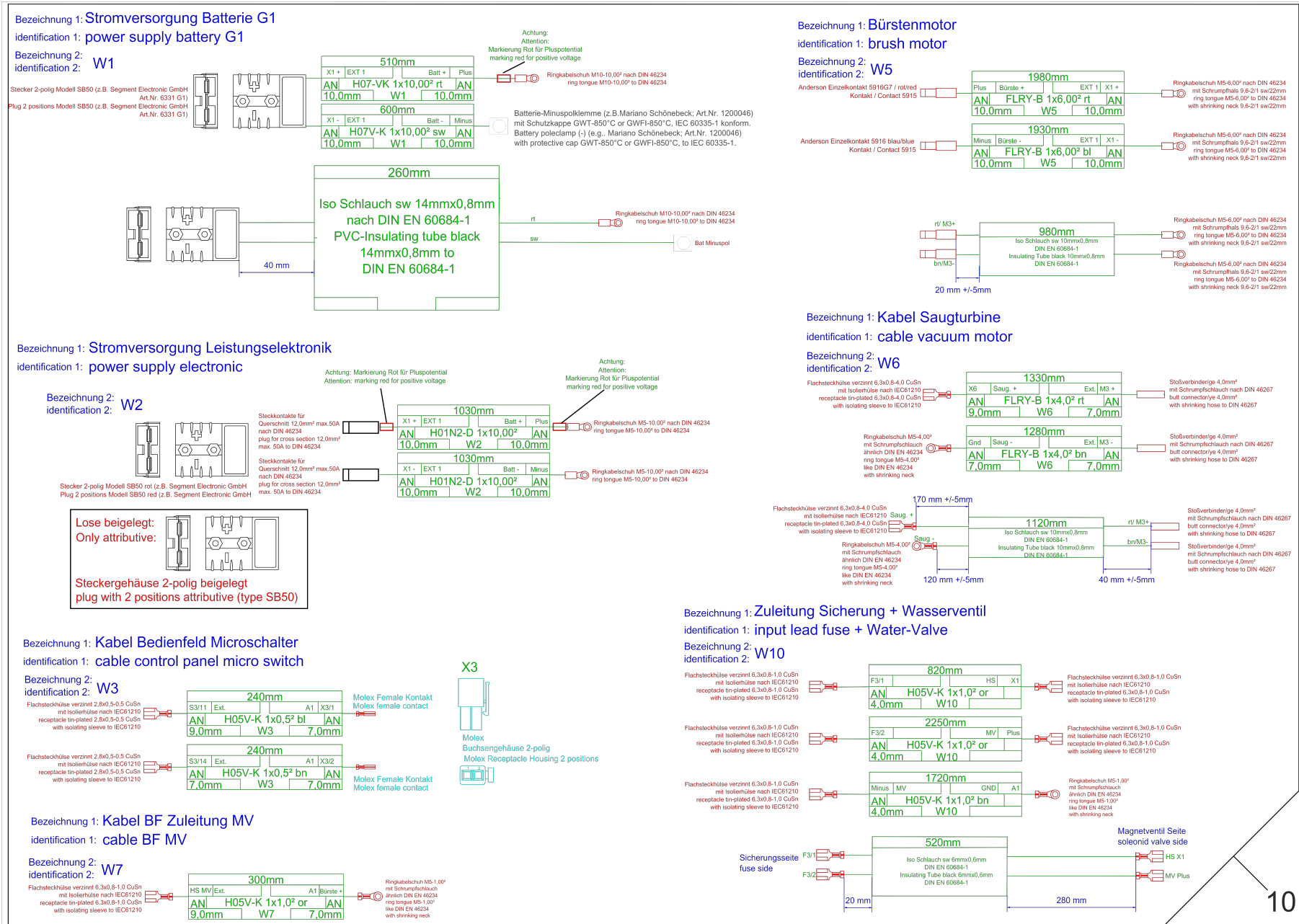
POS	Article no.	Description	Quantity	Unit	Foot note text
45	6.642-014.0	Insulating hose 13	1	m	TO ORDER AS CUT GOODS
60	7.306-394.0	Screw M5x12 -8.8-ZNBHL ISO 14583	2	PC	
70	6.303-557.0	Screw 3x12 Kombitorx T8	2	PC	
80	6.330-441.0	Torsion spring tachograph	1	PC	
90	7.303-096.0	Screw 4x22-ST-10.9-R2R (IN6RD)	2	PC	
100	6.630-732.0	Switch gold plated	1	PC	
120	7.343-201.0	Lock washer 6-FST-PHR DIN 6799	2	PC	
130	4.035-495.0	Tachograph right complete	1	PC	
140	4.035-496.0	Tachograph left complete	1	PC	



40 Handhold operational concept complete (4.035-608.0)

POS	Article no.	Description	Quantity	Unit
20	6.313-014.0	Spring element	1	PC





40 Electric equipment complete B40C Bp Clas

POS	Article no.	Description	Quantity	Unit	Remark	Foot note text
10	4.822-853.0	Cable harness B40/60C Bp Classic	1	PC		
20	5.012-361.0	Retaining plate plug B40C Classic	1	PC		
30	5.012-430.0	Retaining plate fuse	1	PC		
40	7.644-006.0	Fuse insert C 3 DIN 72581-3	1	PC		
50	6.644-216.0	Fuse holder	1	PC		
60	6.644-217.0	Carrier plate	1	PC		
70	6.644-605.0	Cap fuse	1	PC		
80	7.305-003.0	Countersunk screw M 3x12-4.8-A2E ISO 20	1	PC		
90	7.306-055.0	Screw M3x20 -8.8-R2R (In6Rd)	2	PC		
100	7.312-043.0	Washer 3-A2 ISO 7089	2	PC		
110	7.311-000.0	Hexagon nut M3 -6-A2E ISO 4032	2	PC		
9000	4.683-007.0	Control circuit board replacement B40/60	1	PC		
9001	6.646-140.0	Plug two-pole 50A-	1	PC		
9002	6.654-329.0	Battery charger 12A IEB	1	PC	76Ah/105Ah	MAINTENANCE-FREE
	Item text1: 6.650-114.0					
9002	6.654-332.0	Battery charger low-maintenance 24V	1	PC	80Ah	LOW-MAINTENANCE
	Item text1: 6.650-116.0					
9002	6.654-333.0	Battery charger maintenance free 24V	1	PC	105Ah	MAINTENANCE-FREE
	Item text1: 6.650-116.0					
9003	6.650-114.0	Power cable only for replacement	1	PC		
	Item text1: 6.654-102.0					
9003	6.650-116.0	Power cable only for replacement	1	PC		
	Item text1: 6.654-332.0 / -333.0					

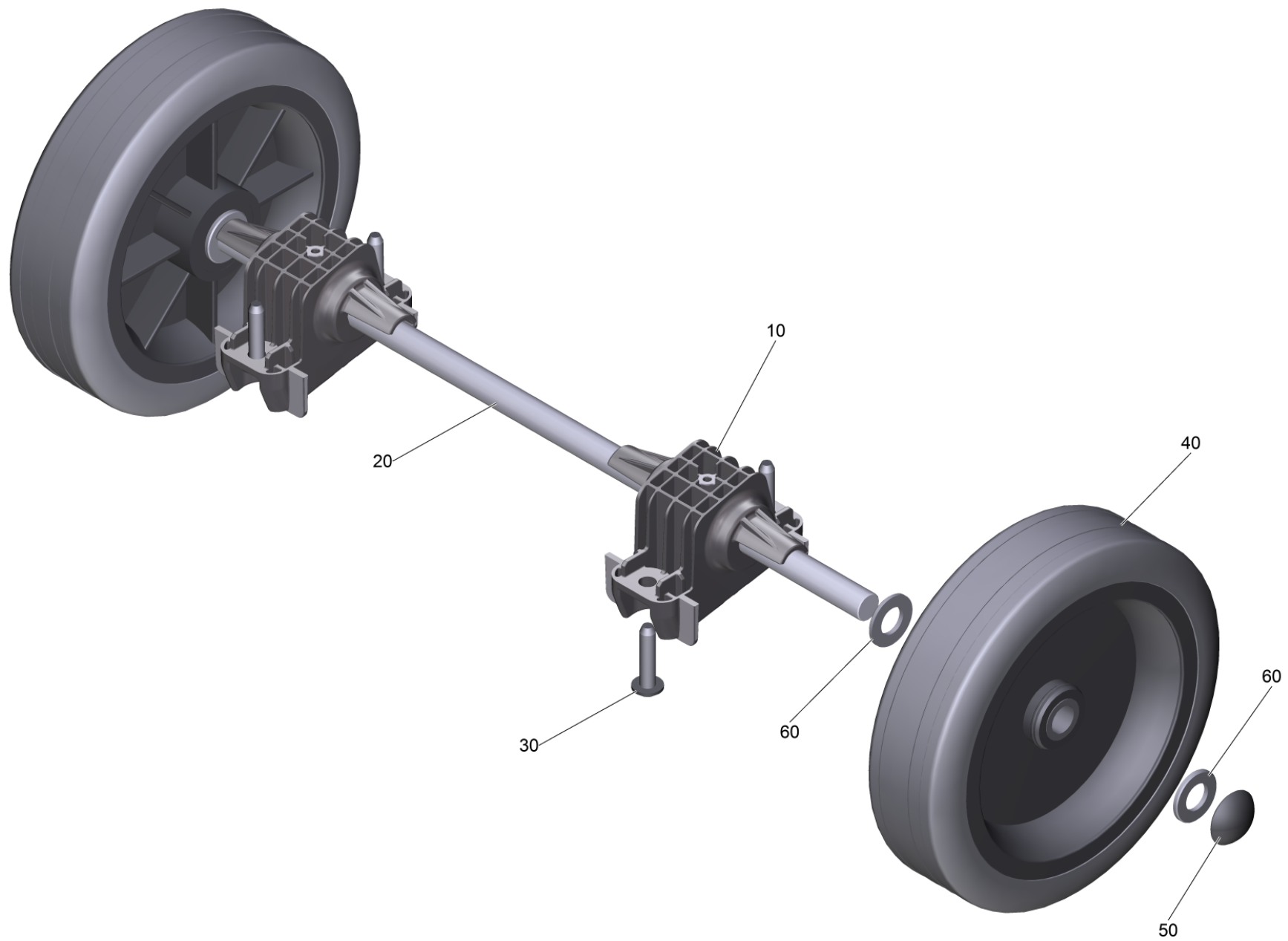
9000 Control circuit board replacement B40/60 (4.683-007.0)

POS	Article no.	Description	Quantity	Unit
10	6.683-239.0	Control circuit board BR/D530 B40Classic	1	PC
40	7.311-000.0	Hexagon nut M3 -6-A2E ISO 4032	6	PC
50	5.035-962.0	Sleeve	6	PC



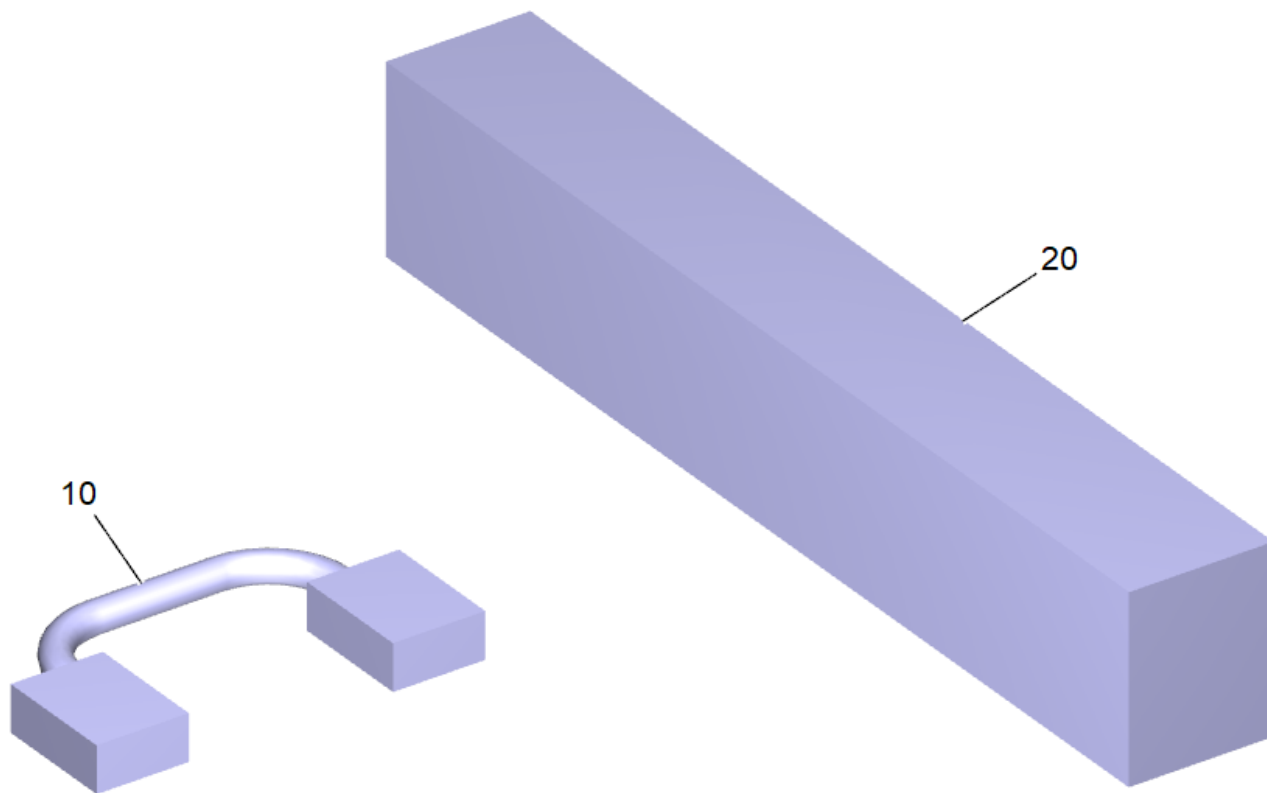
9002 Battery charger maintenance free 24V (6.654-333.0)

POS	Article no.	Description	Quantity	Unit
10	6.650-116.0	Power cable only for replacement	1	PC
20	6.646-140.0	Plug two-pole 50A-	1	PC



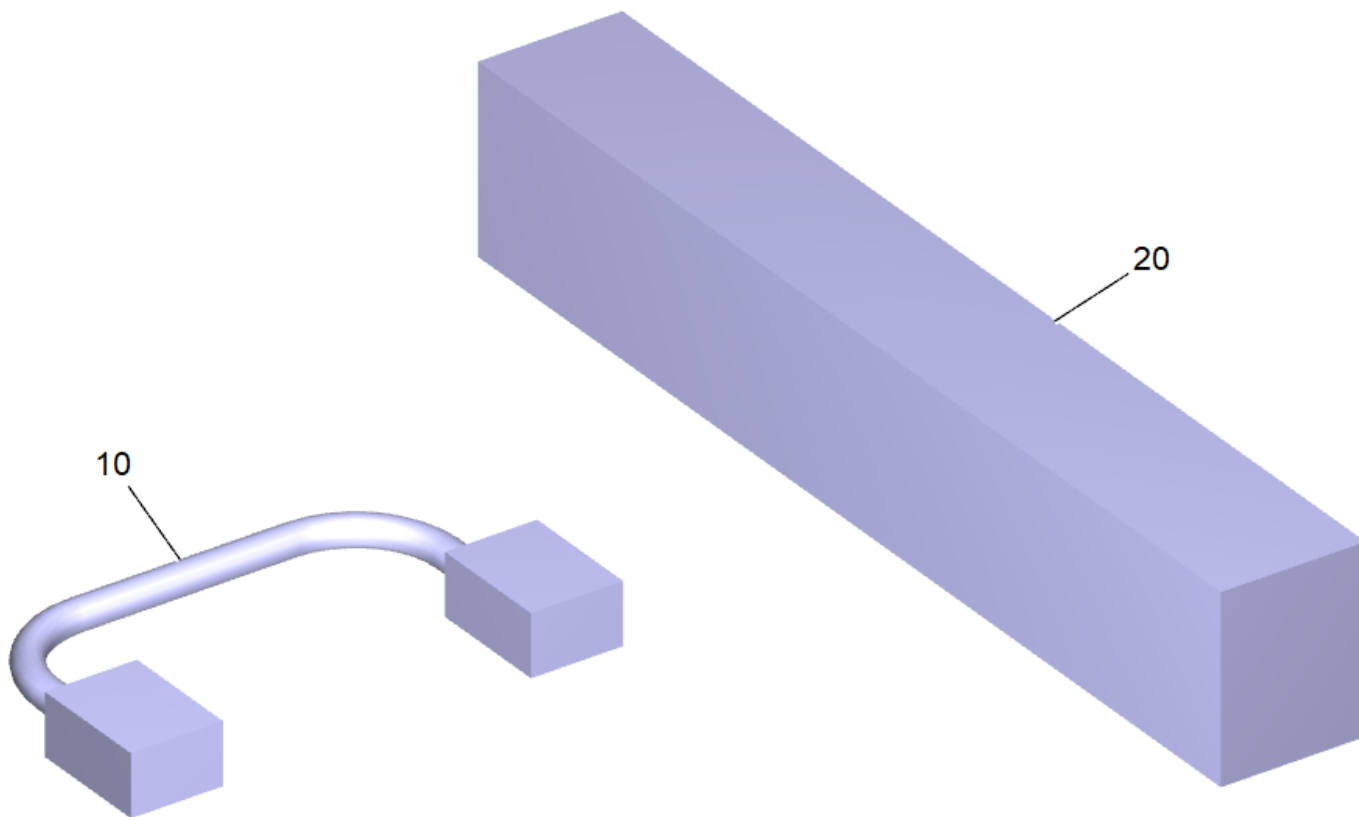
70 Axle complete

POS	Article no.	Description	Quantity	Unit
10	5.035-352.0	Holder axle	2	PC
20	5.035-360.0	Wheel axle carriage	1	PC
30	6.303-315.0	Screw 8 x 35	4	PC
40	6.435-412.0	Wheel D 200	2	PC
50	6.343-240.0	Lock washer	2	PC
60	7.312-028.0	Washer 14-200HV-A3E ISO7089	4	PC



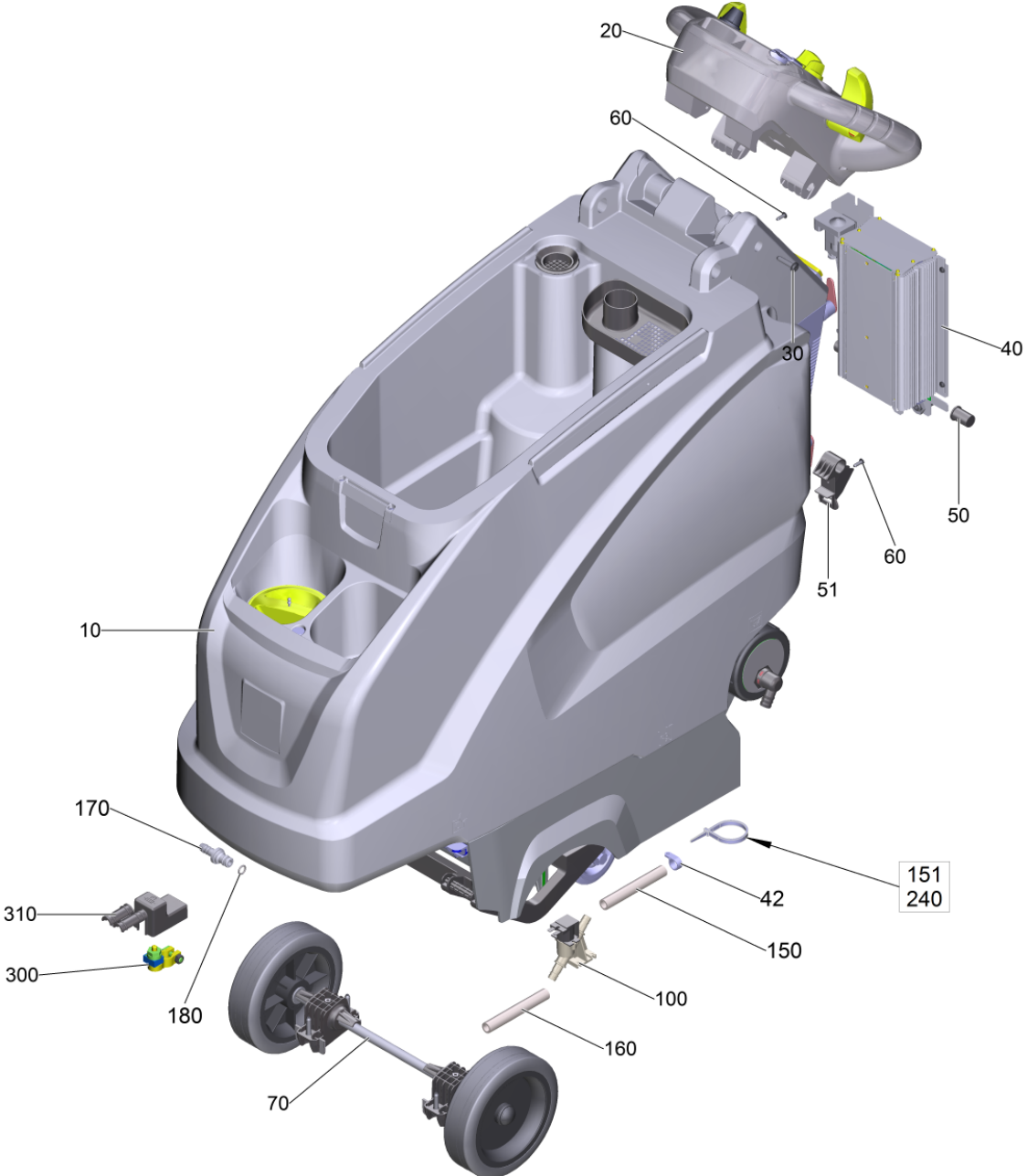
9523 Mounting kit battery kit (2.638-036.0)

POS	Article no.	Description	Quantity	Unit
10	6.649-879.0	Cable battery 25 mm ² . 160 mm	1	PC
20	5.642-021.0	Distance holder battery	1	PC



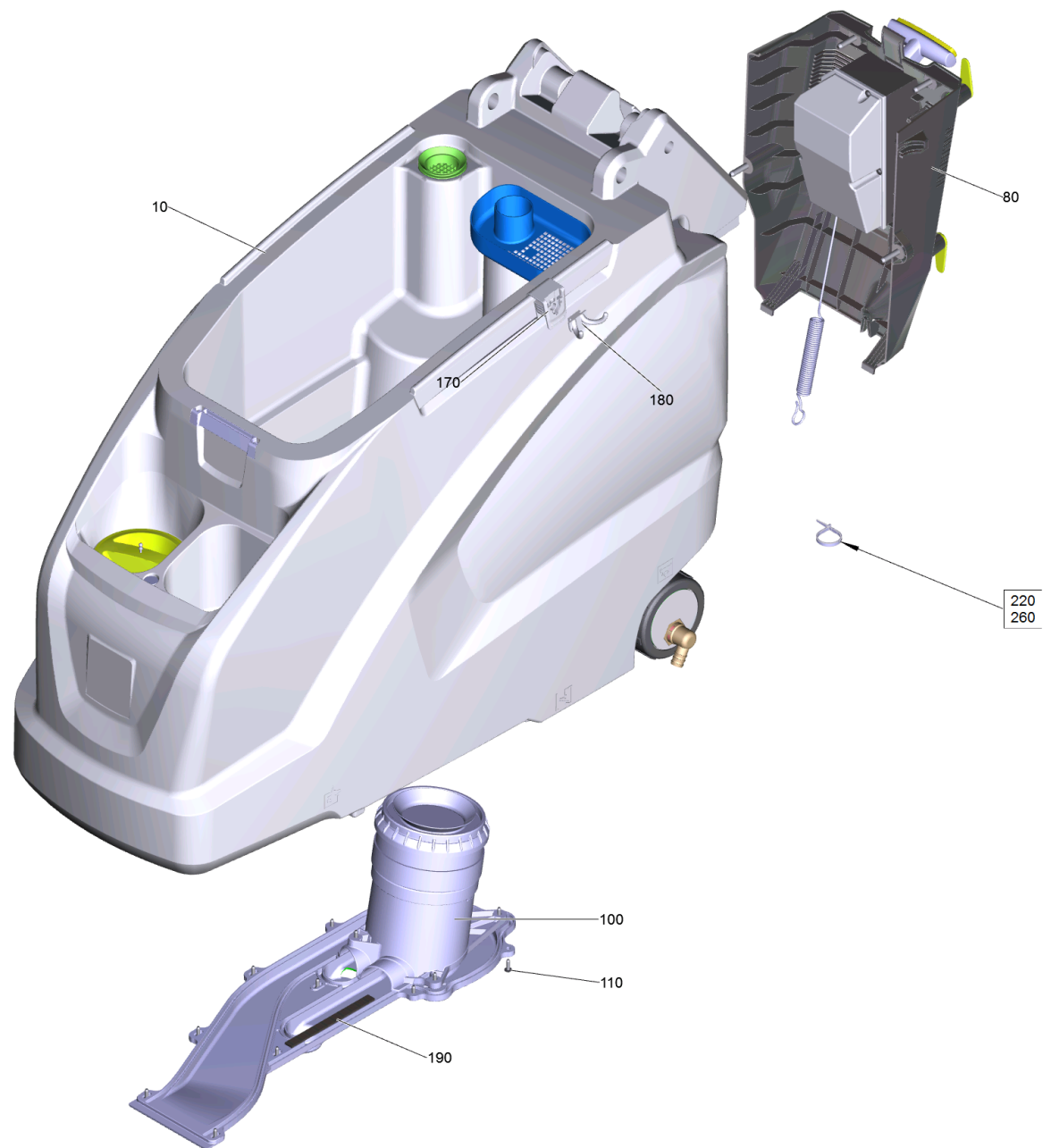
9531 Mounting kit battery kit (2.638-059.0)

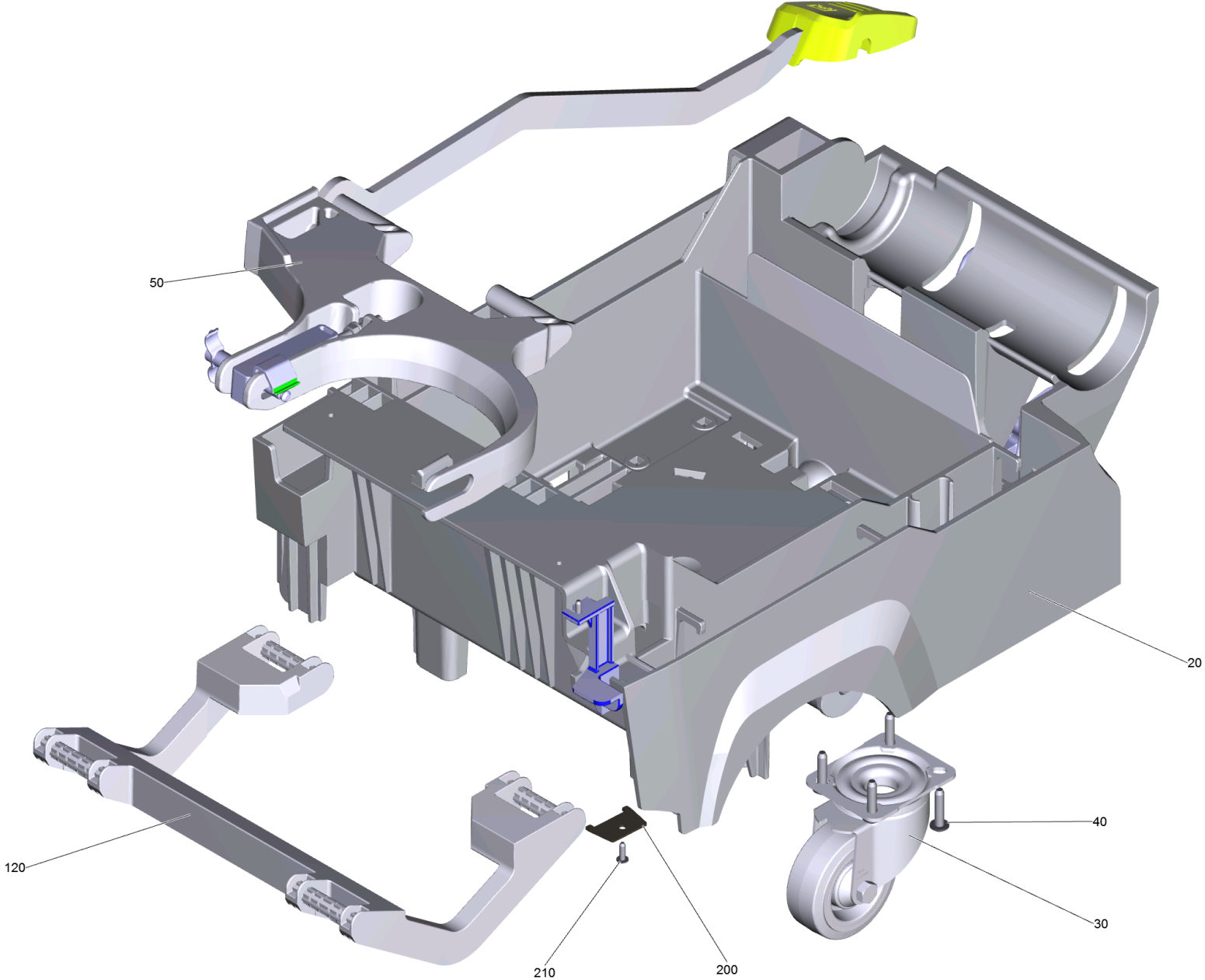
POS	Article no.	Description	Quantity	Unit
10	6.649-601.0	Cable battery short Hoppecke	1	PC
20	5.642-021.0	Distance holder battery	1	PC

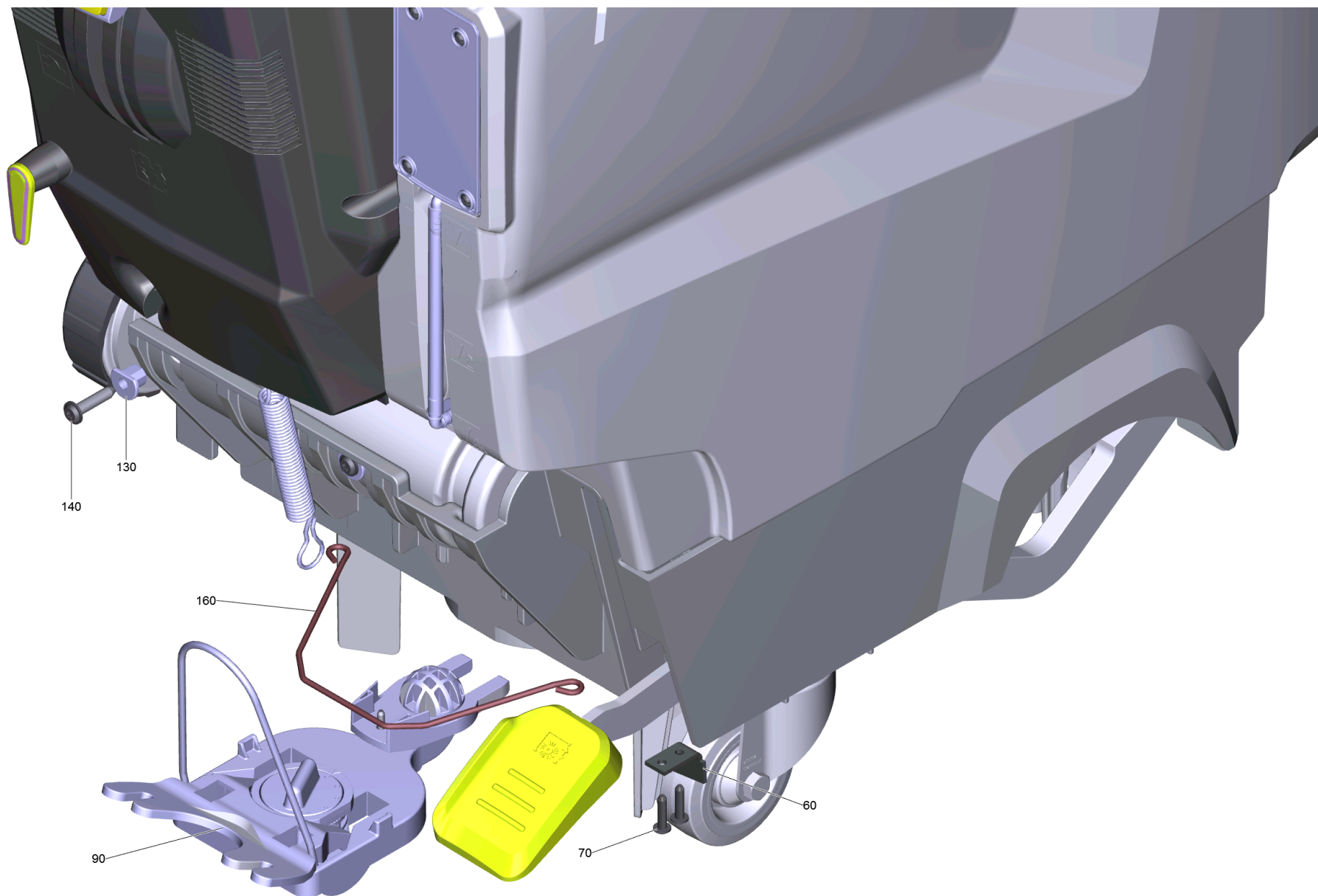


100 B 40 C Bp Fleet (2.533-222.7)

POS	Article no.	Description	Quantity	Unit	Foot note text
10		Basic machinery B 40	1	PC	
20		Control panel complete 40C Bp Fleet EU	1	PC	
30	6.303-315.0	Screw 8 x 35	4	PC	
40		Electric equipment B40 C Bp Dose	1	PC	OLD VERSION
40		Electric equipment B40 C BP Dose CAN	1	PC	NEW VERSION
42	6.373-877.0	Hose clip	1	PC	
50	5.035-450.0	Bearing bush electronics	2	PC	
51	5.035-433.0	Adapter	2	PC	
60	7.303-107.0	Screw 5x16 -10.9-P2R (K-In6Rd)	4	PC	
70		Axle complete	1	PC	
100	6.472-007.3	Solenoid valve 24 V	1	PC	
150	6.390-892.0	Spiral hose NW12	1	m	
151	6.641-474.0	Cable tape 8-210	1	PC	
160	6.390-892.0	Spiral hose NW12	1	m	
170	5.443-375.0	Hose stem	1	PC	
180	6.362-170.0	O-Ring seal 11,3 X 2,4-NBR 70	1	PC	
240	6.641-463.0	Cable tape	2	PC	
300	6.644-618.0	Pole binder	1	PC	
310	5.394-852.0	Covering cap battery terminal	1	PC	
1000		Documentation C Bp	1	PC	
1040	5.973-380.0	Spare parts list Fleet Services B40-80	1	PC	
9520	2.815-099.0	Battery kit Gel 2x 12V/76Ah	1	SET	
9521	2.815-100.0	Battery kit Gel 2x 12V/105Ah	1	SET	
9522	2.815-090.0	Battery kit AGM 2x 12V/80Ah	1	SET	
9523	2.638-036.0	Mounting kit battery kit	1	PC	
9530	2.815-091.0	Battery kit AGM 2x 12V/115Ah	1	SET	
9531	2.638-059.0	Mounting kit battery kit	1	PC	

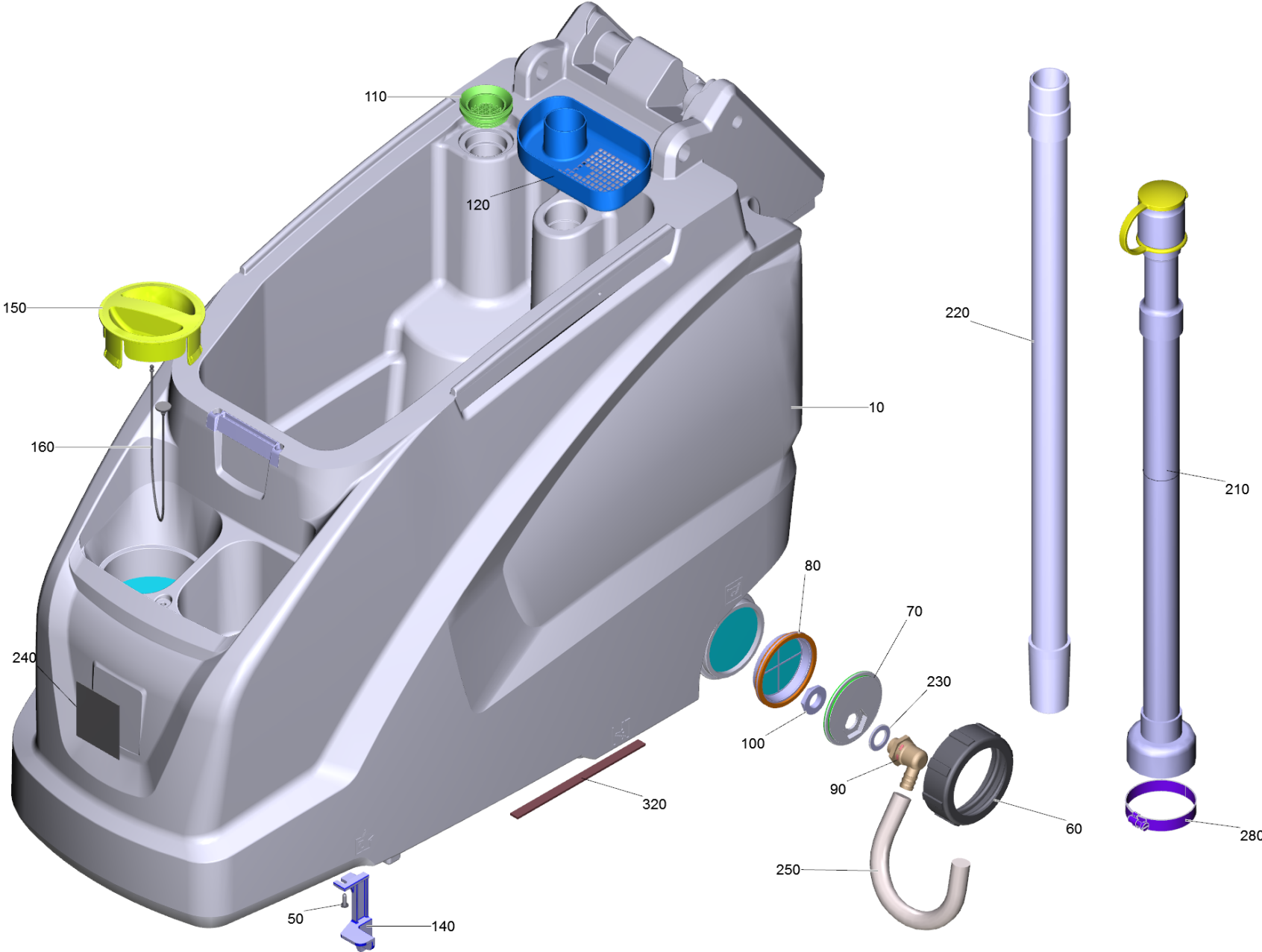


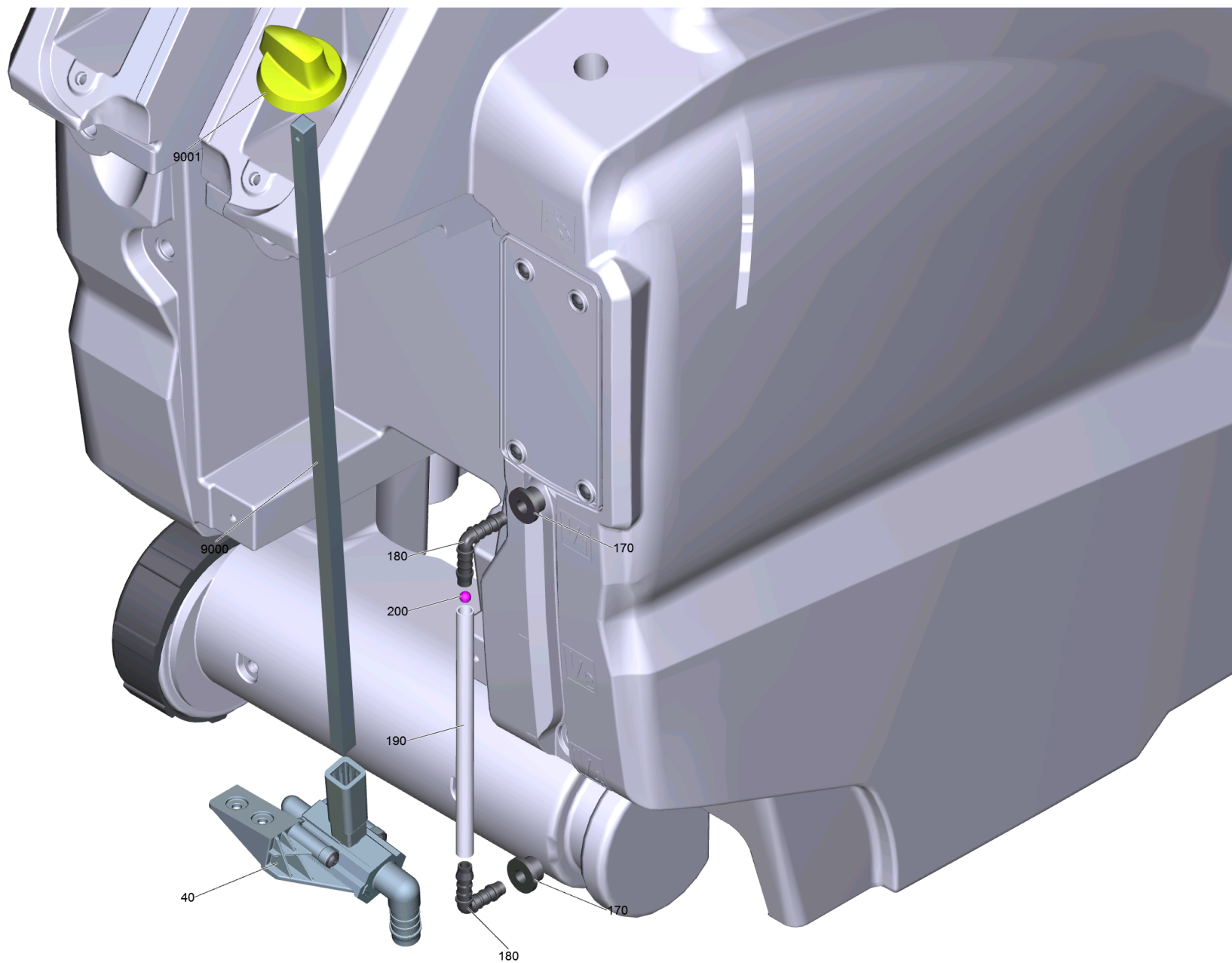


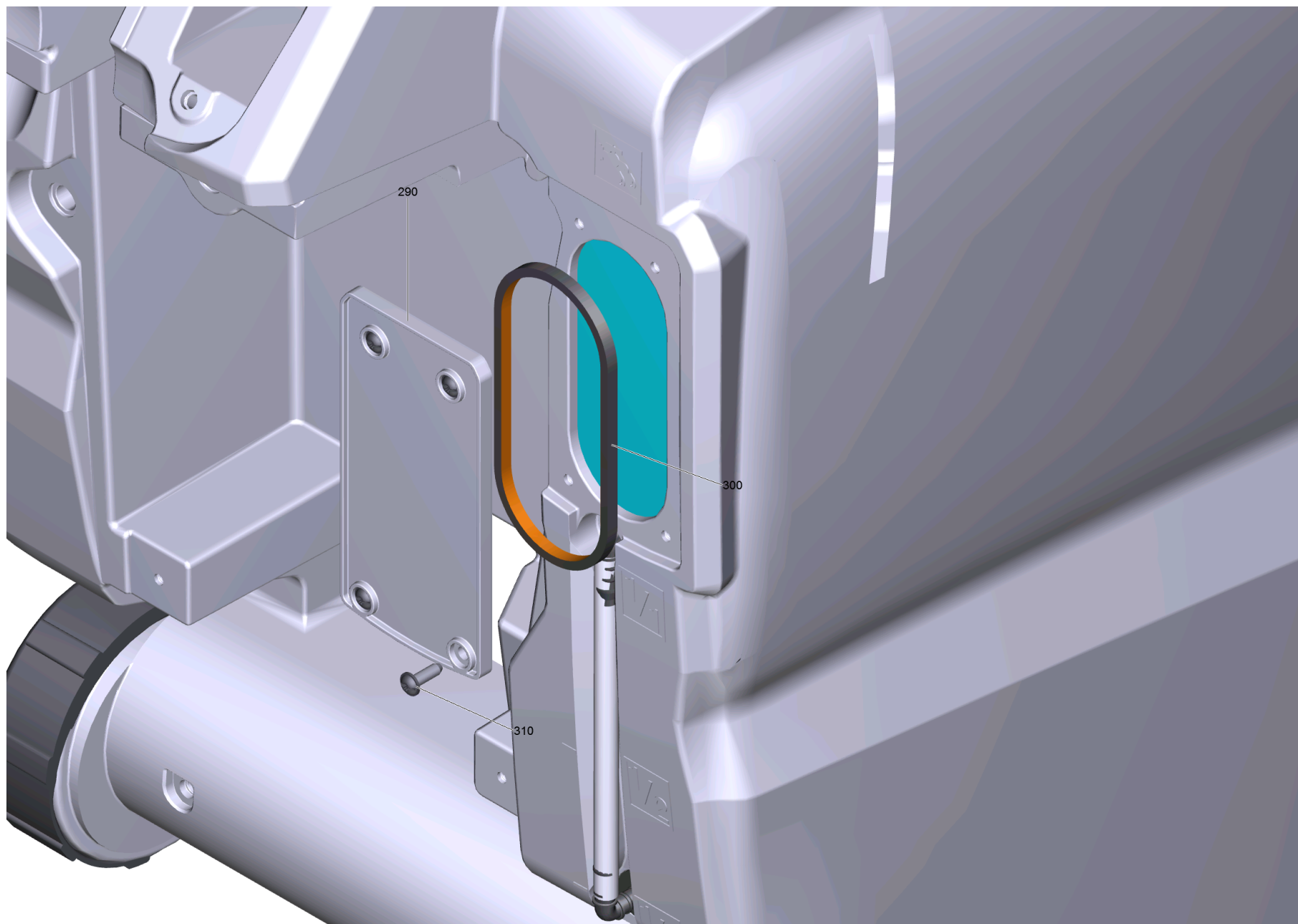


10 Basic machinery B 40

POS	Article no.	Description	Quantity	Unit	Foot note text
10	4.035-335.0	Tank complete	1	PC	
20	5.035-350.0	Frame B40	1	PC	
30	6.435-011.3	Castor	2	PC	
40	6.303-315.0	Screw 8 x 35	8	PC	
50		Suspension brush-head complete	1	PC	
60	5.035-361.0	Sheet metal component	1	PC	
70	7.303-109.0	Screw 5x25 -10.9-R2R (In6Rd)	2	PC	
80		Covering cap rear complete	1	PC	
90		Suction bar lifting complete	1	PC	
100		Vacuum motor	1	PC	
110	7.303-107.0	Screw 5x16 -10.9-P2R (K-In6Rd)	13	PC	
120	5.035-334.0	Retaining bracket connecting rod	1	PC	
130	5.035-522.0	Sleeve	3	PC	
140	6.303-315.0	Screw 8 x 35	3	PC	
160	5.035-440.0	Wire spring	1	PC	
170	5.035-488.0	Adapter Homebase	1	PC	
180	6.980-077.0	Double hook	1	PC	
190	6.273-090.0	Sealing tape 13x3	1	m	TO ORDER AS CUT GOODS
200	5.035-726.0	Plate	1	PC	
210	7.303-107.0	Screw 5x16 -10.9-P2R (K-In6Rd)	1	PC	
220	6.641-465.0	Cable tape	1	PC	
260	6.647-081.0	Cable tape	1	PC	

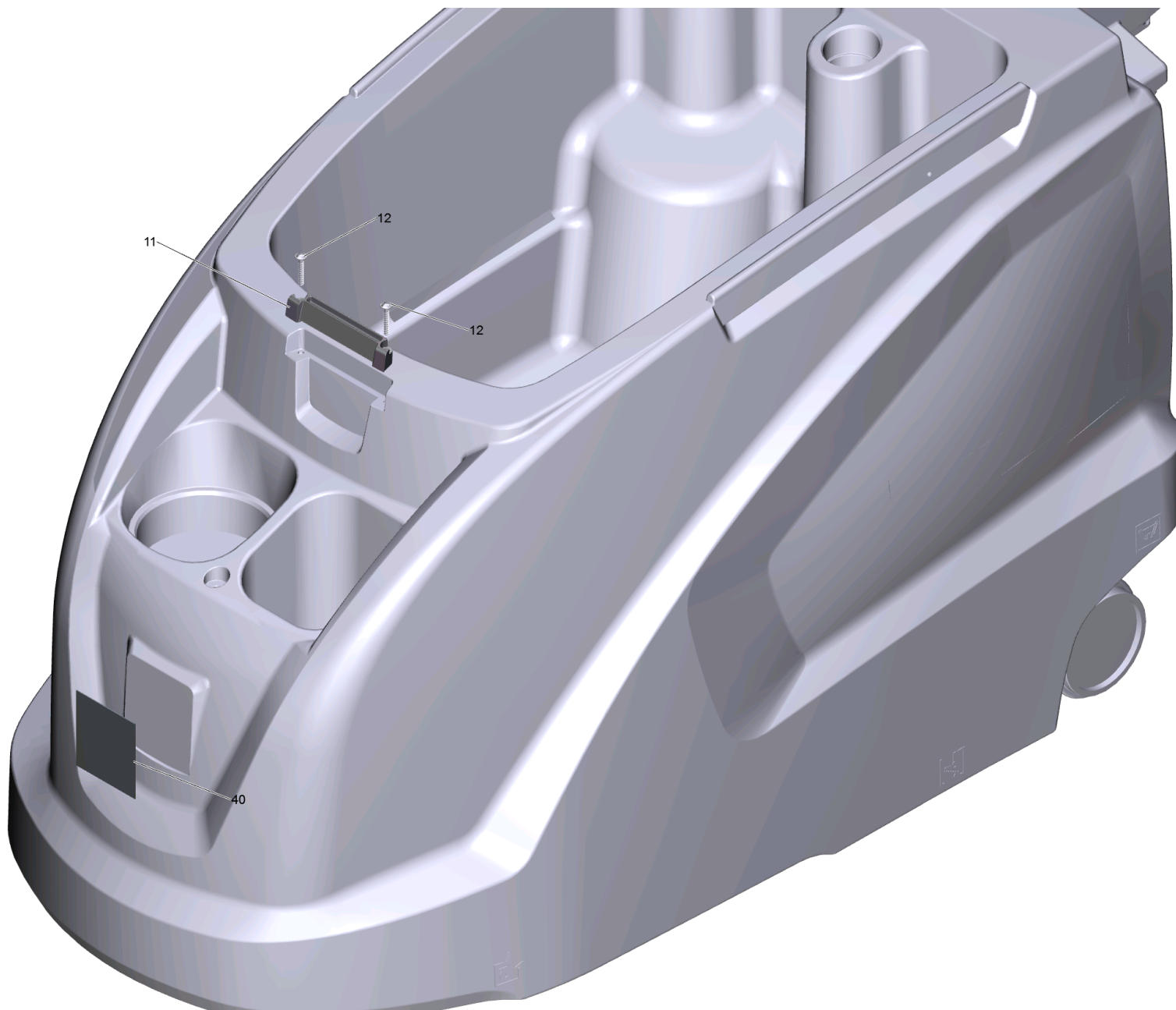






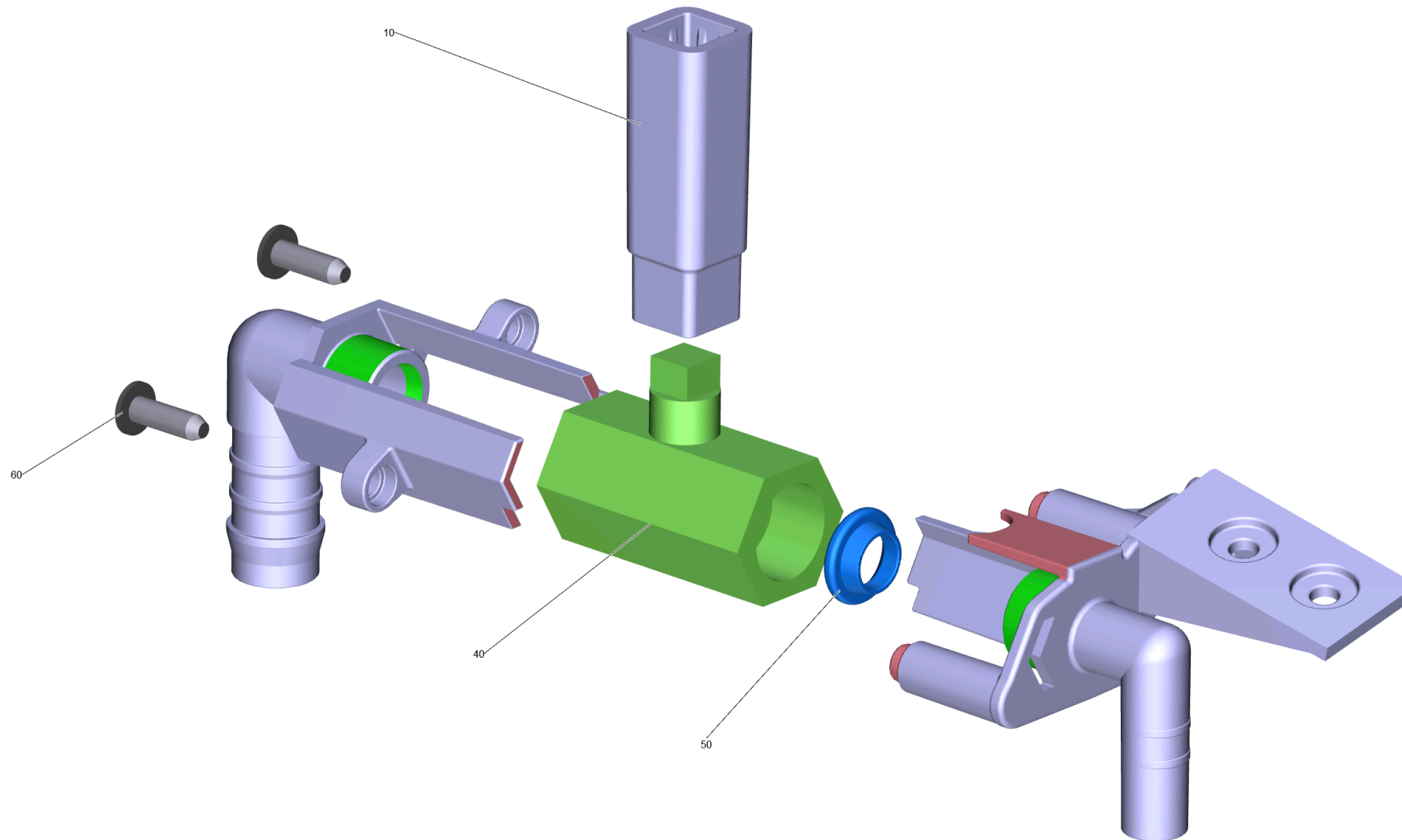
10 Tank complete (4.035-335.0)

POS	Article no.	Description	Quantity	Unit	Foot note text
10	4.035-429.0	Tank replacement B40	1	PC	
40	4.035-426.0	Ball valve complete replacement	1	PC	
50	7.303-107.0	Screw 5x16 -10.9-P2R (K-In6Rd)	3	PC	
60	5.035-341.0	Cover fresh water tank discharge	1	PC	
70	5.035-342.0	Hose connection fresh water discharge	1	PC	
80	5.035-376.0	Filter discharge	1	PC	
90	6.395-163.3	Angle bushing G1-2	1	PC	
100	6.310-004.0	Hexagon nut G 1/2"	1	PC	
110	5.515-266.0	Joint ring fluffing strainer	1	PC	
120	5.036-932.0	Tank bulk waste yellow	1	PC	
140	5.035-435.0	Tank locking part	1	PC	
150	5.034-099.0	Cover fresh water metering RM	1	PC	
160	5.035-358.0	Mounting rope cover fresh water tank	1	PC	
170	5.035-608.0	Wire protecting sleeve	2	PC	
180	6.391-913.0	Elbow nipple	2	PC	
190	5.035-328.0	Silicon hose level indicator	1	PC	
200	6.035-072.0	Sphere level indicator D6	1	PC	
210	4.035-285.0	Drain hose with cover PU	1	PC	OIL RESISTANT
220	6.392-471.0	Suction hose PU DN32	1	PC	
230	5.515-253.0	Seal D34	1	PC	
240	5.394-081.0	Label signet gel 78x86	1	PC	
250	6.390-324.0	Hose DN16	1	m	TO ORDER AS CUT GOODS
280	6.388-767.0	Hose clip 70- 90	1	PC	
290	4.035-370.0	Screen filling system	1	PC	
300	5.035-418.0	Seal fixing plate	1	PC	
310	7.303-107.0	Screw 5x16 -10.9-P2R (K-In6Rd)	4	PC	
320	6.273-043.0	Sealing tape cellularrubber 9x4	1	m	TO ORDER AS CUT GOODS
9000	5.035-369.0	Bar	1	PC	
9001	5.035-404.0	Handle	1	PC	



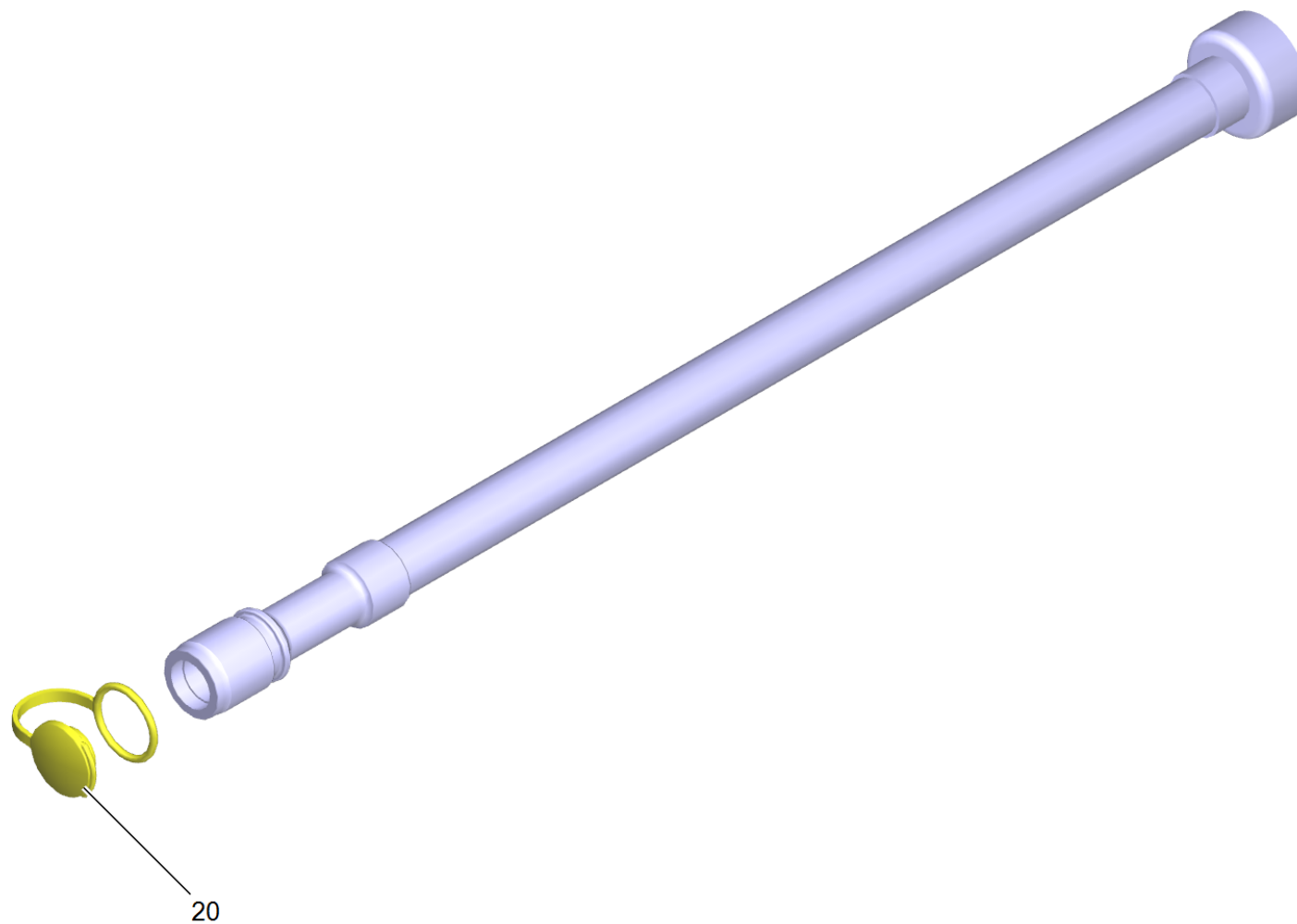
10 Tank replacement B40 (4.035-429.0)

POS	Article no.	Description	Quantity	Unit
11	5.035-482.0	Add-on part tank cover	1	PC
12	7.303-086.0	Screw 5x30 -10.9-R2R (K-In6Rd)	2	PC
40	5.394-081.0	Label signet gel 78x86	1	PC



40 Ball valve complete replacement (4.035-426.0)

POS	Article no.	Description	Quantity	Unit
10	5.035-459.0	Coupler piece ball valve	1	PC
40	6.413-586.0	Ball valve without handhold	1	PC
50	5.035-770.0	Seal ball valve	2	PC
60	7.303-107.0	Screw 5x16 -10.9-P2R (K-In6Rd)	2	PC

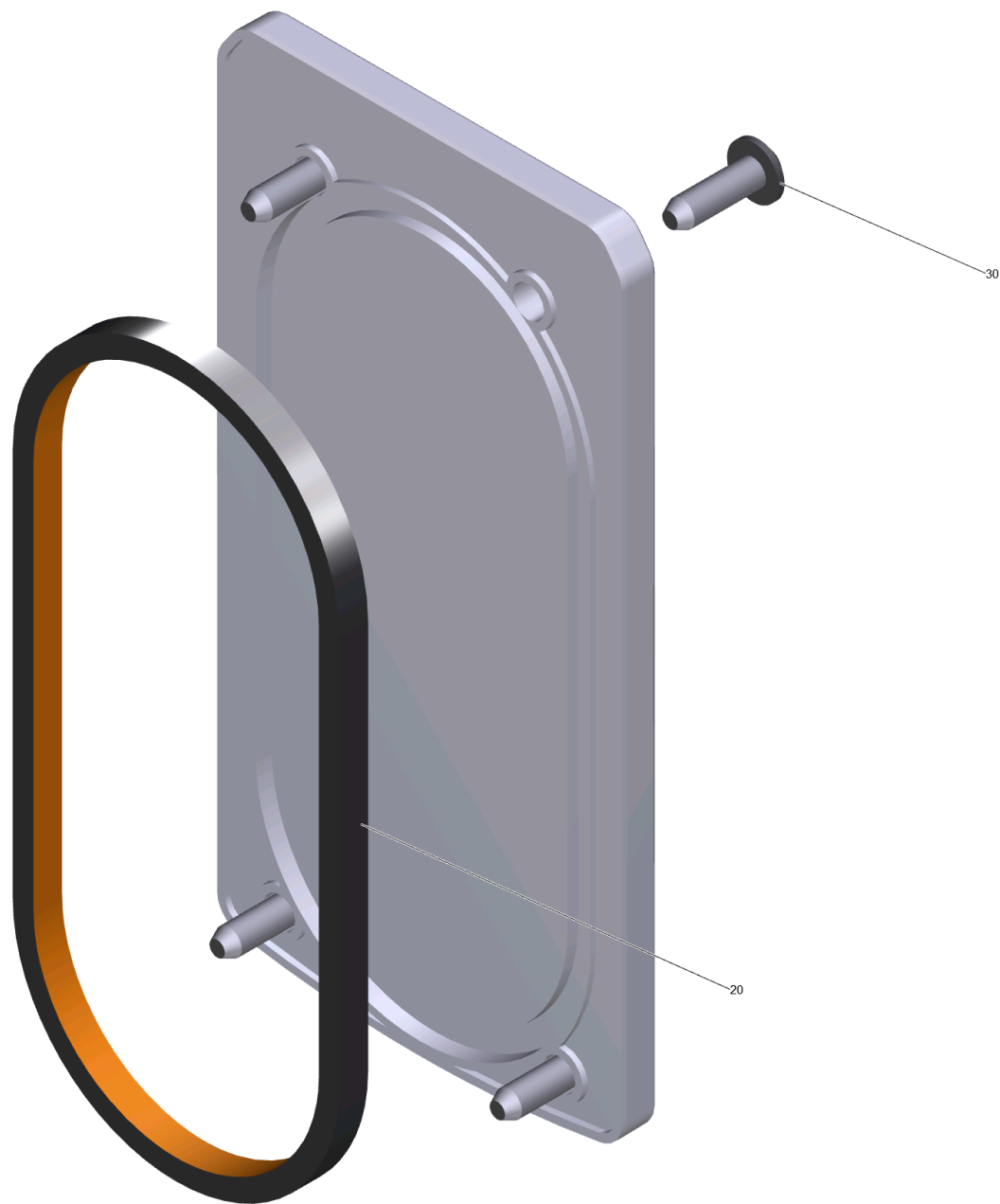


210 Drain hose with cover PU (4.035-285.0)

POS	Article no.	Description	Quantity	Unit
20	5.036-249.0	Cover plate drain hose yellow PU	1	PC

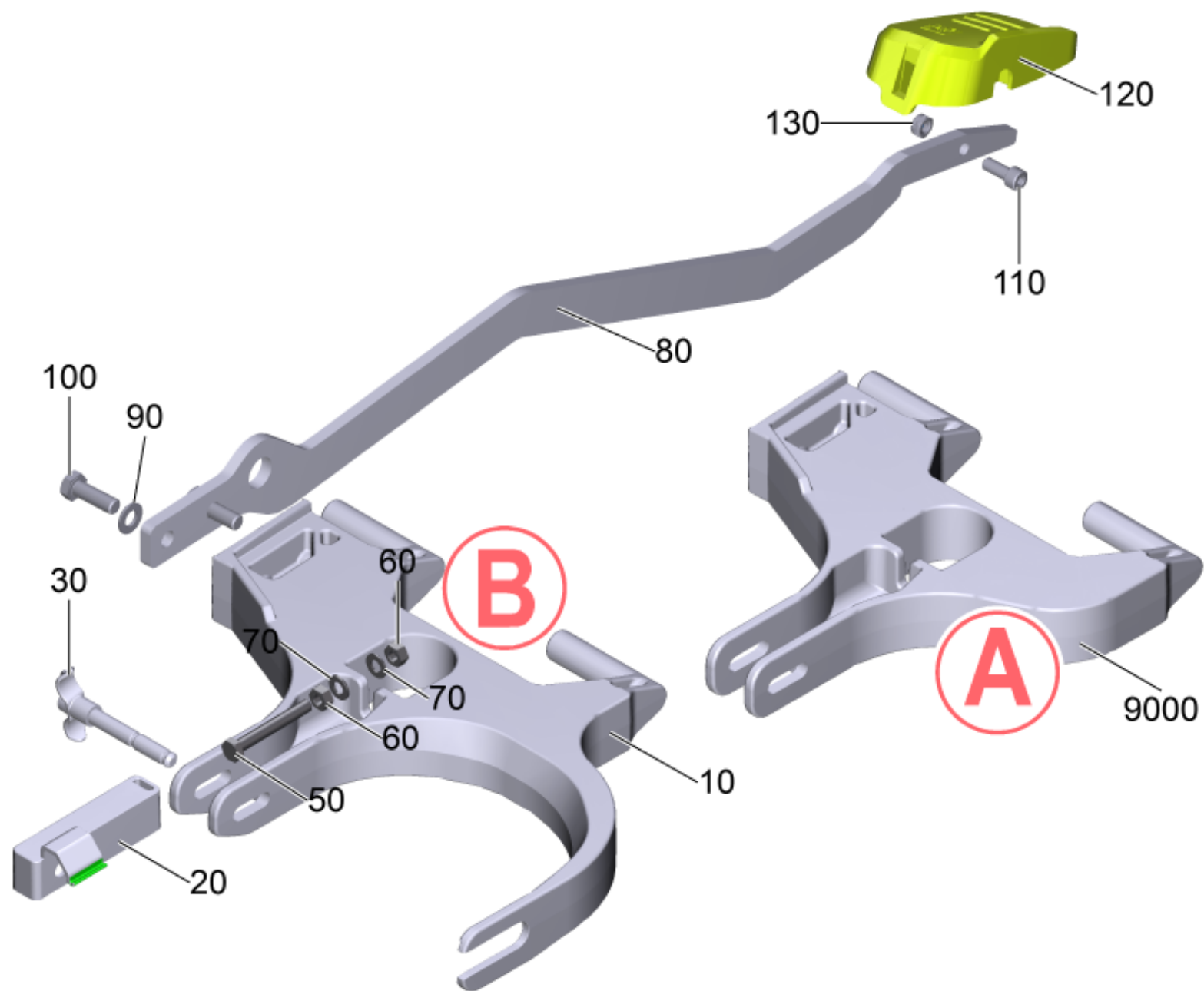
290 Screen filling system (4.035-370.0)

POS	Article no.	Description	Quantity	Unit
10	4.035-370.7	Screen filling system	1	PC



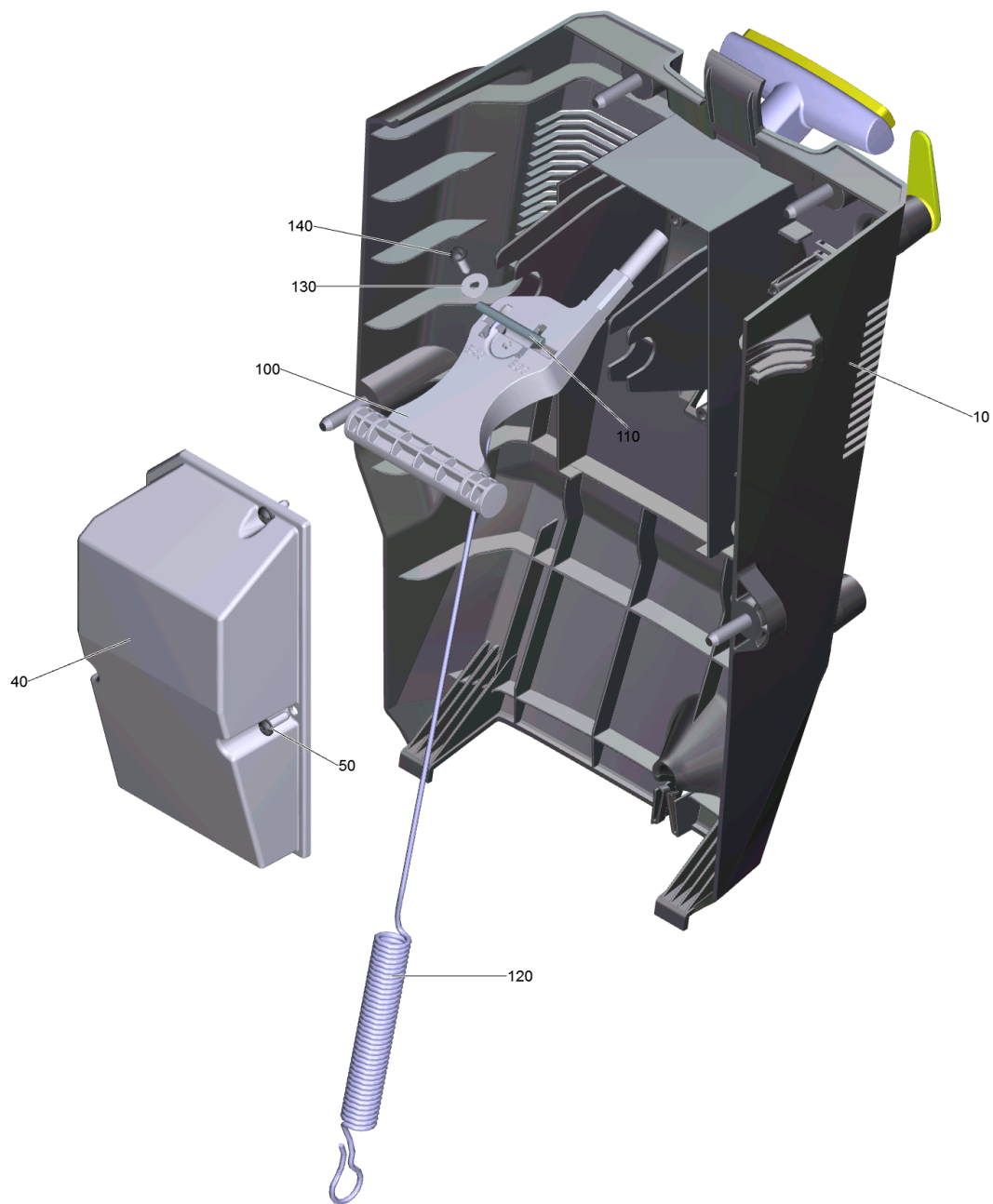
10 Screen filling system (4.035-370.7)

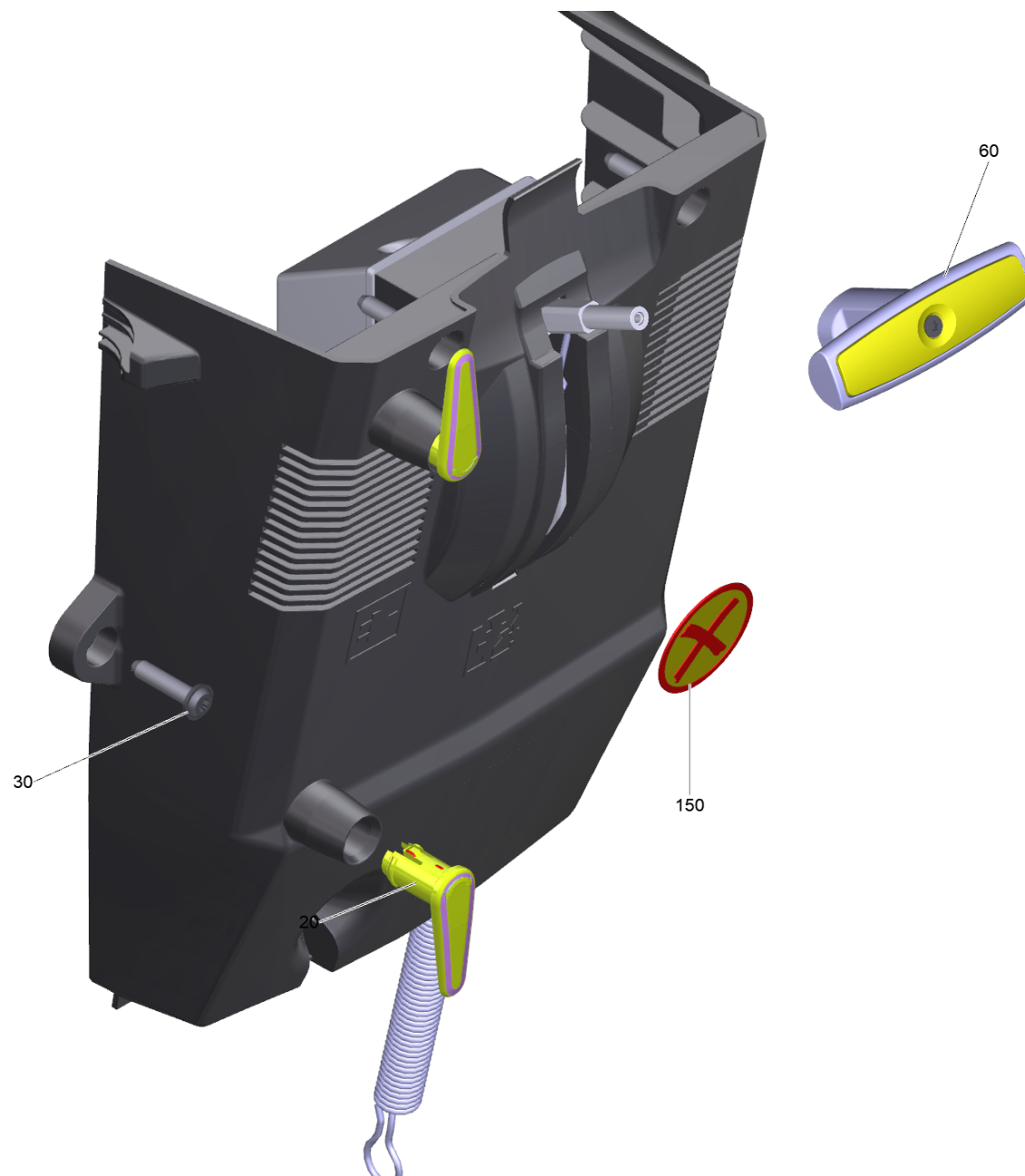
POS	Article no.	Description	Quantity	Unit
20	5.035-418.0	Seal fixing plate	1	PC
30	7.303-107.0	Screw 5x16 -10.9-P2R (K-In6Rd)	4	PC



50 Suspension brush-head complete

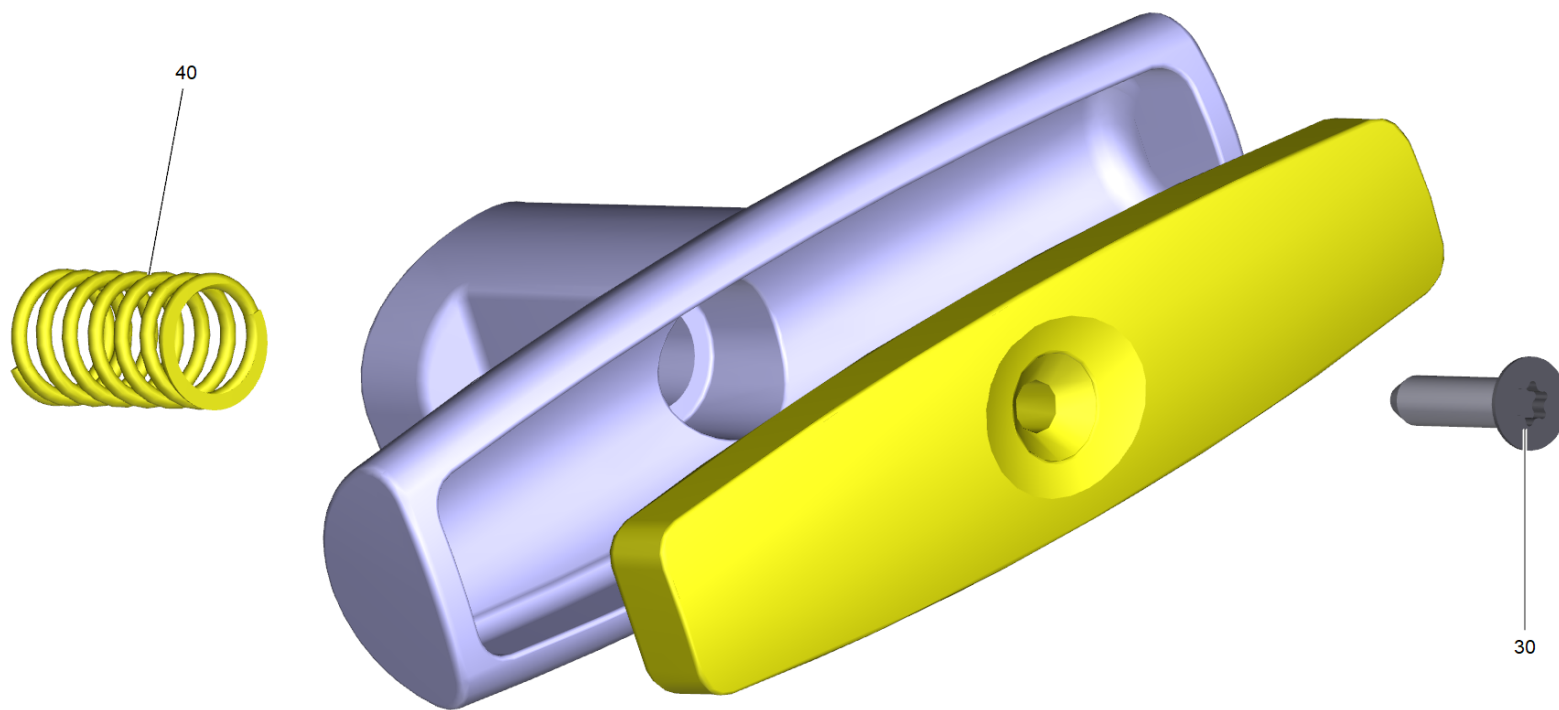
POS	Article no.	Description	Quantity	Unit	Foot note text
10	5.035-675.0	Suspension brush-head triple	1	PC	VERSION B
20	5.035-377.0	Adjusting element brush-head	1	PC	
30	5.035-865.0	Handhold bolt brush-head	1	PC	
50	7.304-262.0	Hexagonal head screw M8x60-A4-70 ISO 40	1	PC	
60	7.311-068.0	Hexagon nut M 8-A2-70 ISO 4032	2	PC	
70	7.312-004.0	Washer 8 -200HV-A3E ISO 7089	2	PC	
80	5.035-370.0	Lever plate brush-head	1	PC	
90	7.312-005.0	Washer 10-200HV-A3E ISO 7089	2	PC	
100	7.304-417.0	Hexagonal head screw M10x30-8.8-A3E ISO	2	PC	
110	7.306-041.0	Cylinder head screw M8x20 -8.8-A2E ISO	1	PC	
120	5.035-374.0	Pedal brush-head	1	PC	
130	7.311-432.0	Hexagon nut M 8-1.4305 DIN 985	1	PC	
9000	2.882-733.0	Conversion kit suspension brush-head B40	1	PC	VERSION A





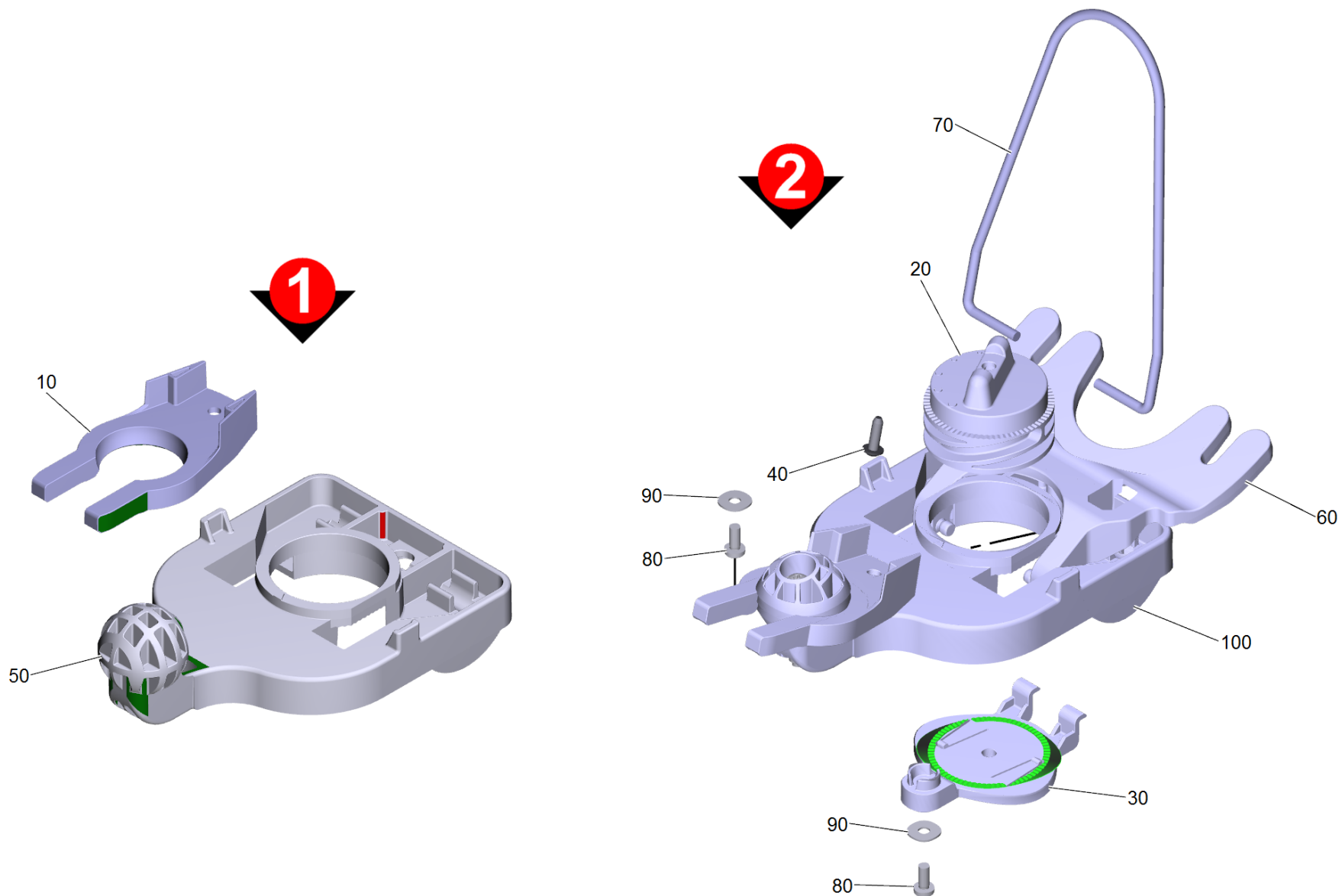
80 Covering cap rear complete

POS	Article no.	Description	Quantity	Unit
10	5.035-366.0	Covering cap	1	PC
20	5.044-661.0	Catch for cable yellow	2	PC
30	6.303-315.0	Screw 8 x 35	4	PC
40	5.035-446.0	Cover covering cap rear	1	PC
50	7.303-107.0	Screw 5x16 -10.9-P2R (K-In6Rd)	3	PC
60	4.035-612.0	Set handhold adjustment	1	PC
100	5.035-445.0	Lever suction bar	1	PC
110	5.035-453.0	Axle lever suction bar	1	PC
120	5.035-423.0	Extension spring	1	PC
130	7.312-282.0	Washer 5 -A2 ISO 7093-1	1	PC
140	7.303-107.0	Screw 5x16 -10.9-P2R (K-In6Rd)	1	PC
150	5.380-889.0	Warning sign BR-BD 750	1	PC



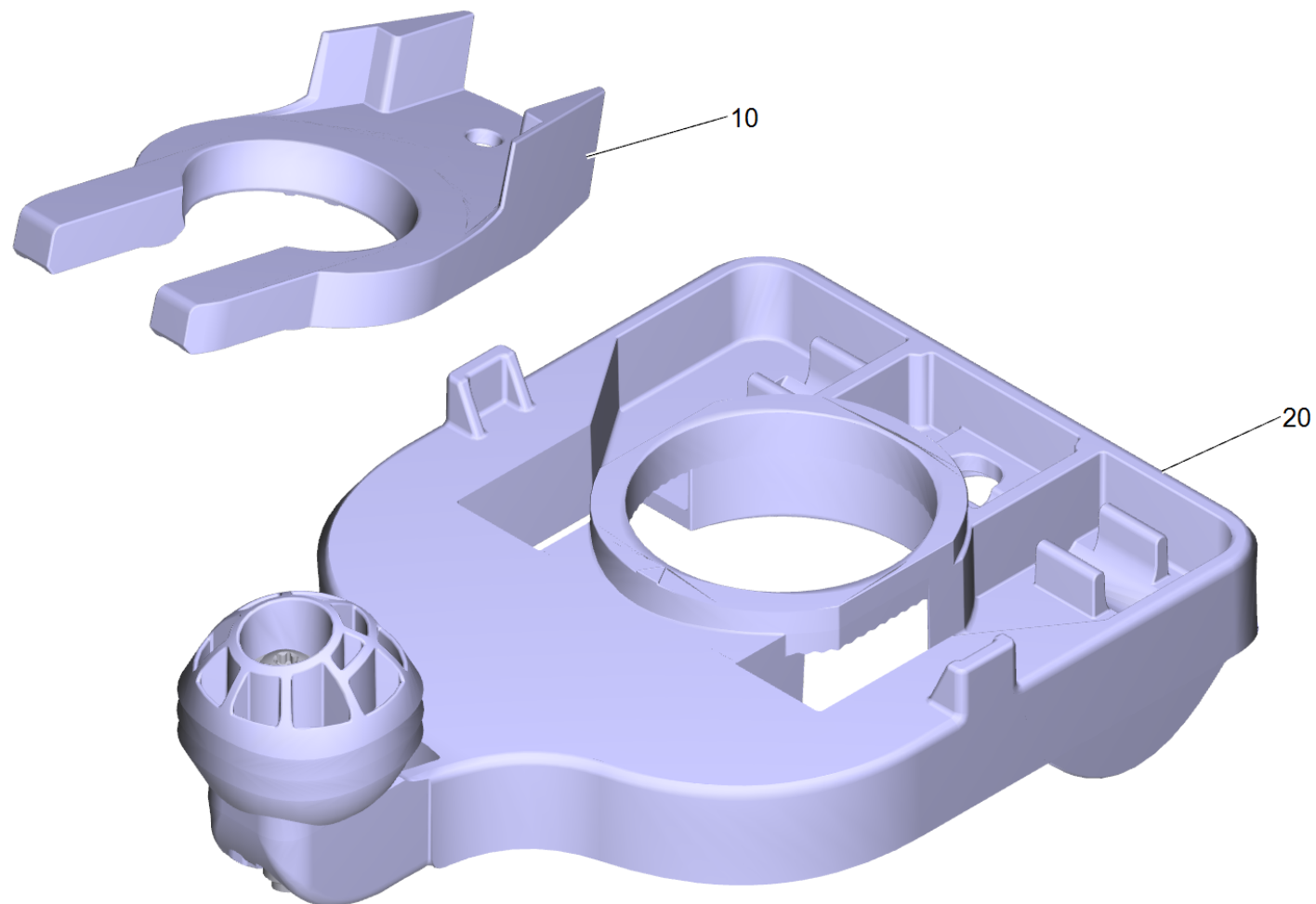
60 Set handhold adjustment (4.035-612.0)

POS	Article no.	Description	Quantity	Unit
30	7.303-128.0	Countersunk screw 5x20 -10.9-R2R (In6Rd)	1	PC
40	5.332-481.0	Helical spring	1	PC



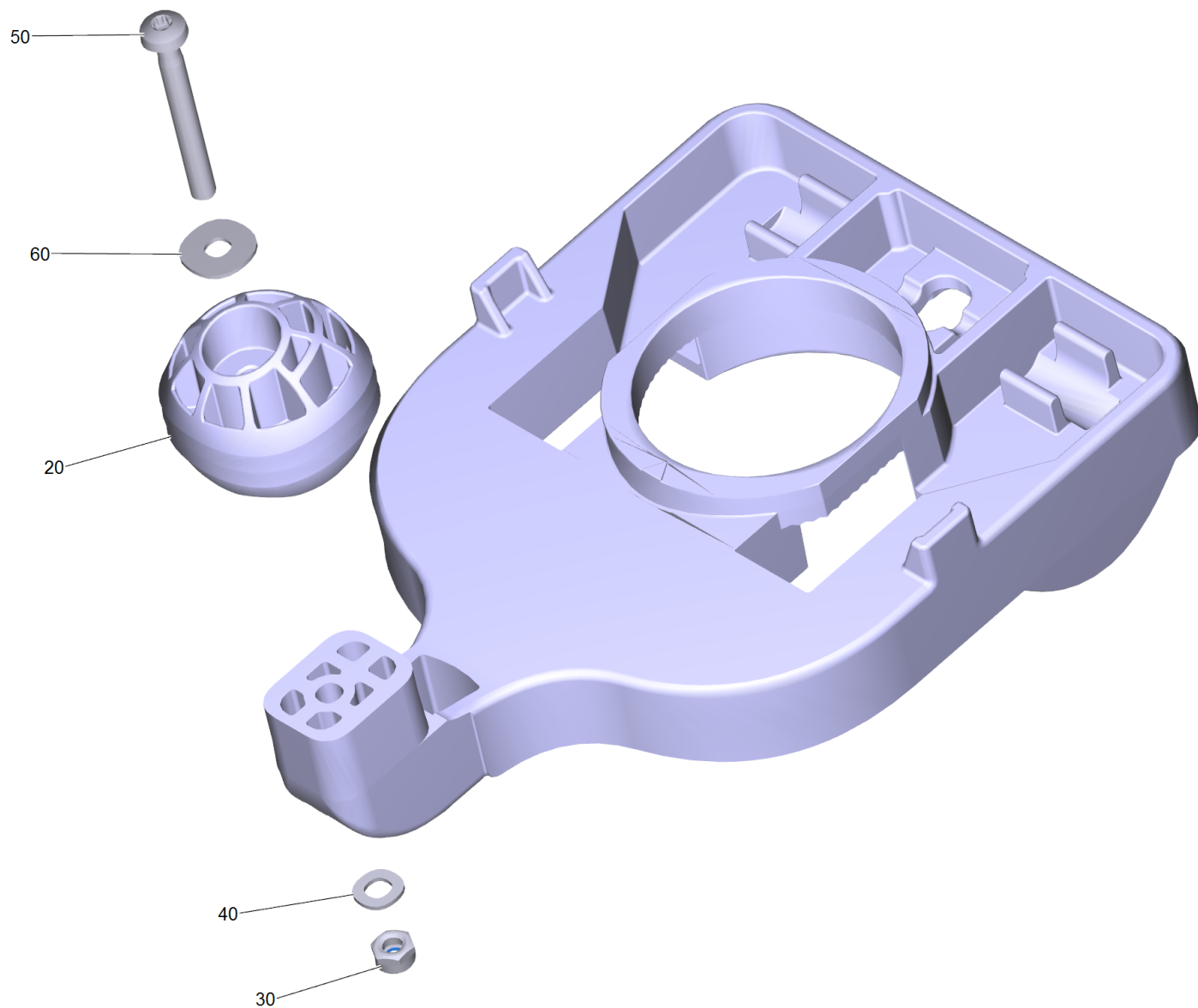
90 Suction bar lifting complete

POS	Article no.	Description	Quantity	Unit	Foot note text
10	7.777-999.0	Stockpiling discontinued	1	PC	VERSION 1
20	5.035-292.0	Adjusting knob suction bar toothing	1	PC	
30	5.035-293.0	Covering cap suction bar toothing	1	PC	
40	7.303-109.0	Screw 5x25 -10.9-R2R (In6Rd)	1	PC	
50	7.777-999.0	Stockpiling discontinued	1	PC	VERSION 1
60	5.036-103.0	Rocker suction bar	1	PC	
70	5.035-382.0	Retaining bracket suction bar	1	PC	
80	6.306-003.0	Screw M5X12-A2/70-ISO 14583 (IN6RD)	2	PC	with microencapsulation
90	7.312-282.0	Washer 5 -A2 ISO 7093-1	2	PC	
100	4.035-583.0	Holder suction bar complete	1	PC	VERSION 2



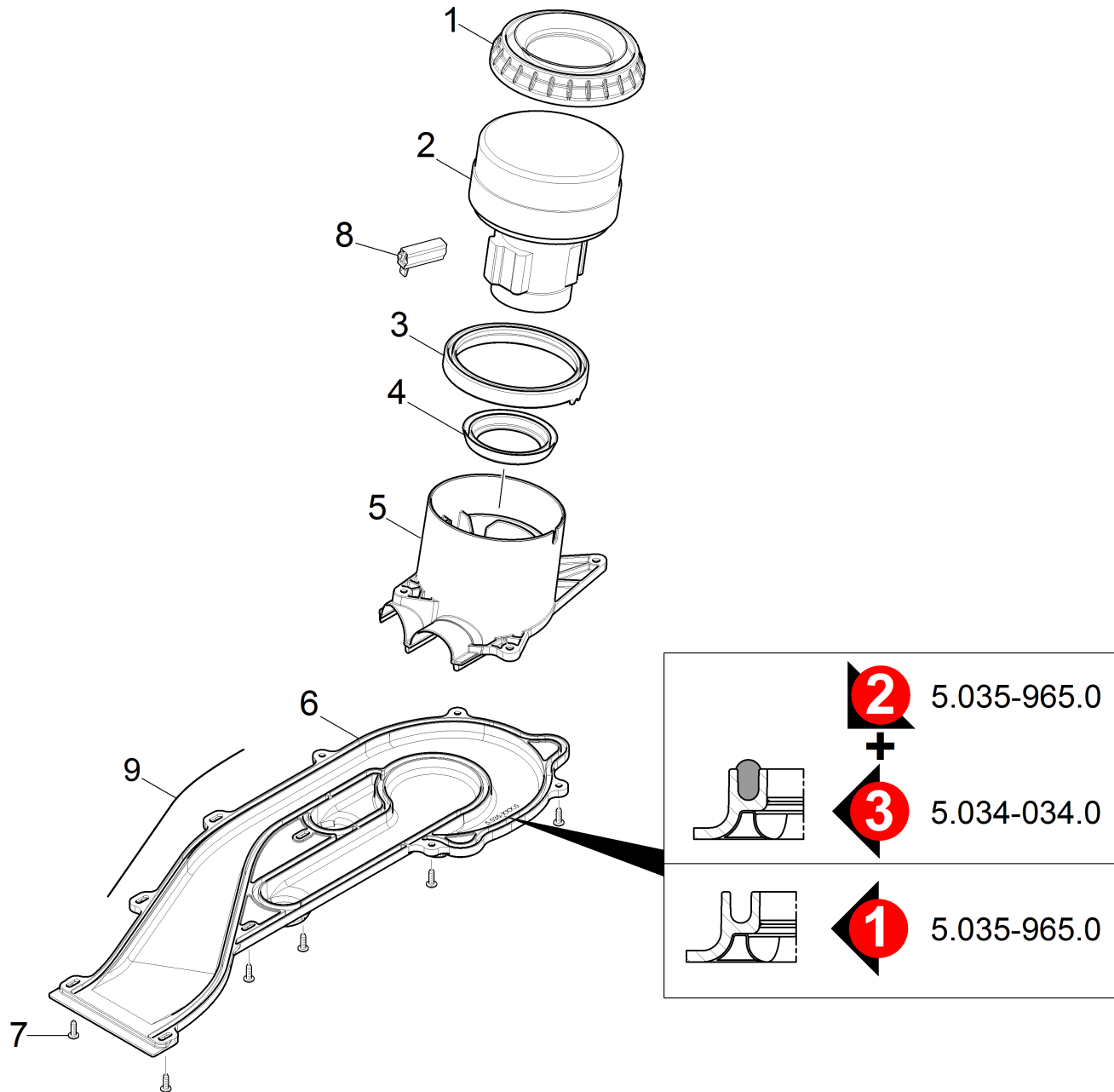
100 Holder suction bar complete (4.035-583.0)

POS	Article no.	Description	Quantity	Unit
10	5.005-005.0	FIXING PLATE SUCTION BAR ALU	1	PC
20	4.037-137.3	Holder suction bar	1	PC



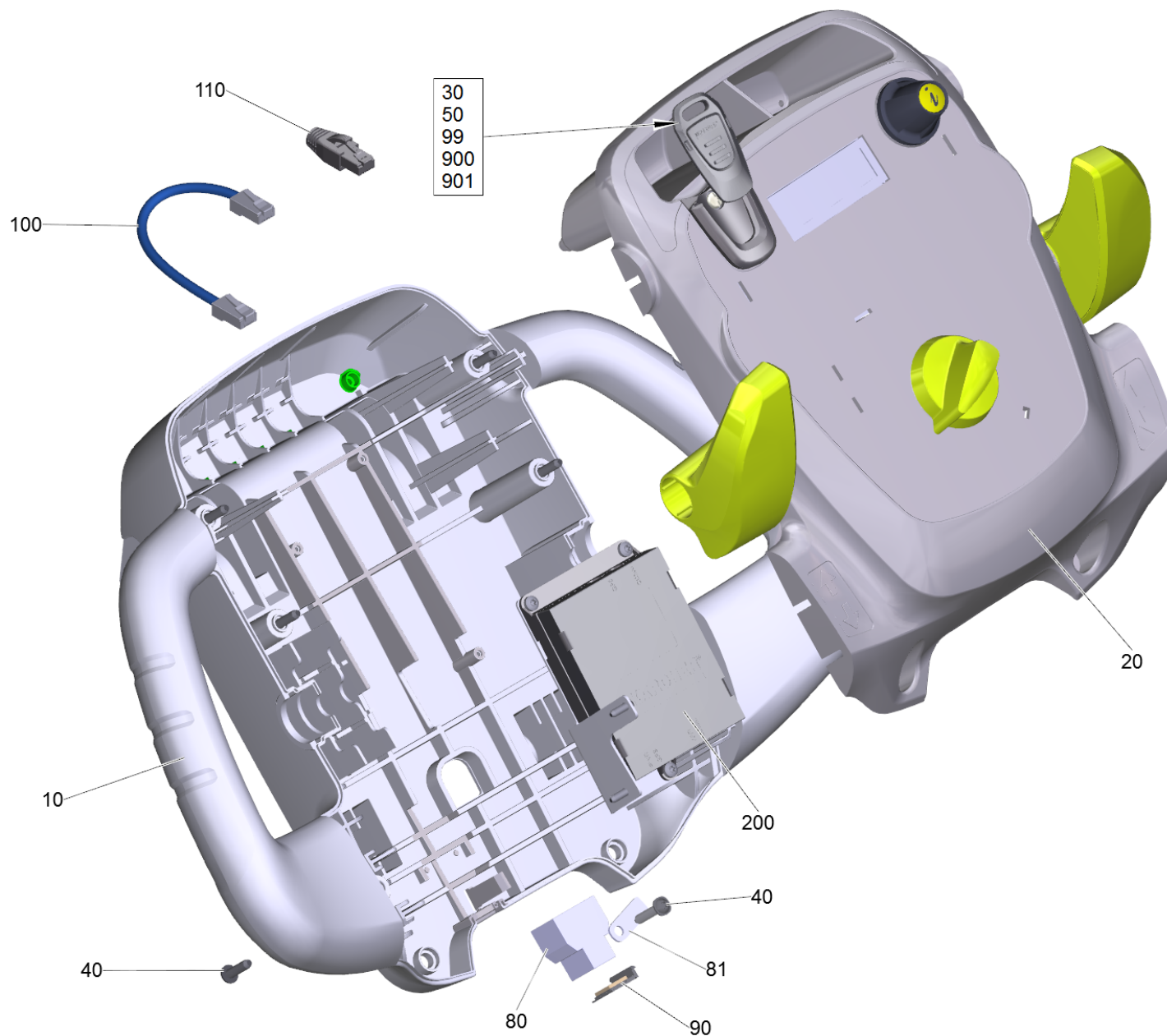
20 Holder suction bar (4.037-137.3)

POS	Article no.	Description	Quantity	Unit
20	5.037-579.0	Sphere suction bar suspension	1	PC
30	7.311-431.0	Hexagon nut M 5-1.4305 DIN 985	1	PC
40	7.312-052.0	Washer 5 -A2 ISO 7089	1	PC
50	7.306-215.0	Screw M5x45 -8.8-P2R (In6Rd)	1	PC
60	7.312-282.0	Washer 5 -A2 ISO 7093-1	1	PC

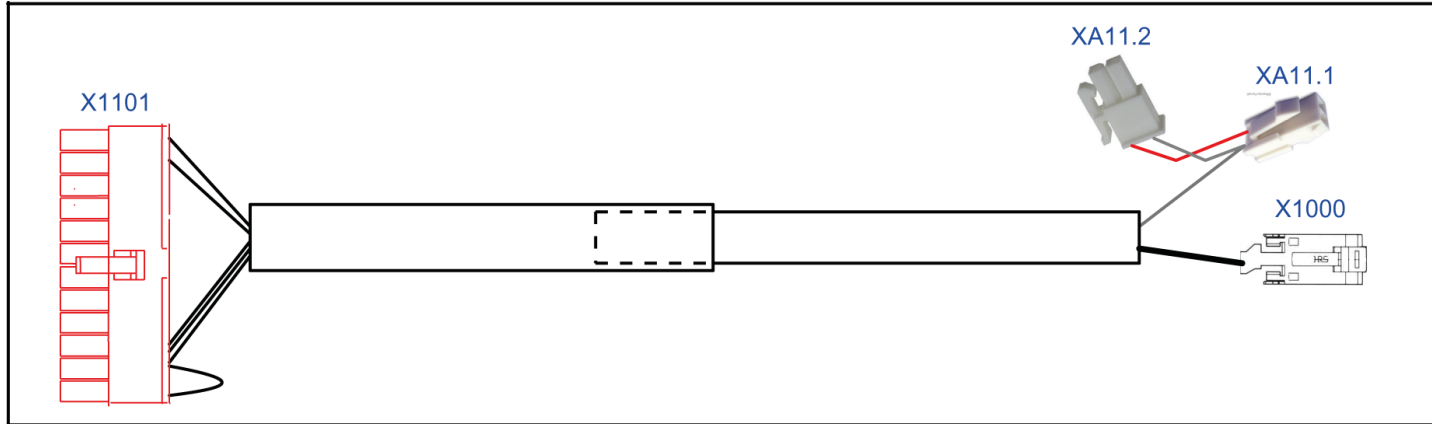


100 Vacuum motor

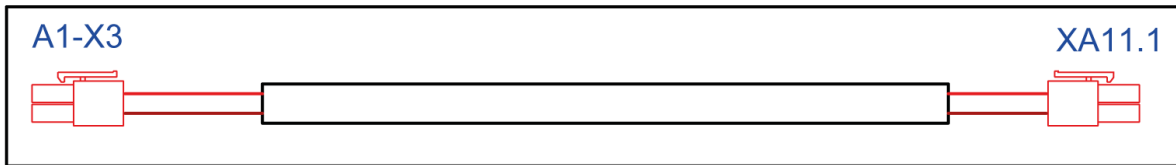
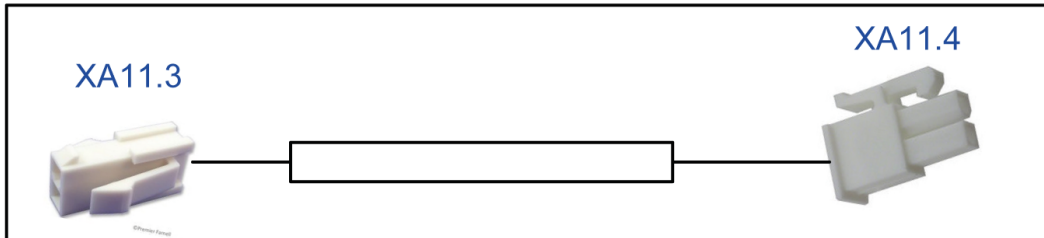
POS	Article no.	Description	Quantity	Unit	Remark	Foot note text
1	5.035-333.0	Bearing vacuum motor	1	PC		
2	4.035-580.0	Vacuum motor replacement	1	PC		
3	5.035-332.0	Joint ring turbine	1	PC		
4	5.363-395.0	Seal	1	PC		
5	5.034-032.0	Air circulation turbine bottom	1	PC		VERSION 2
5	5.035-964.0	Air circulation bottom turbine	1	PC		VERSION 1
6	4.034-009.0	Air circulation turbine replacement	1	PC		VERSION 2
6	5.034-034.0	Air circulation turbine above foamed	1	PC		VERSION 3
6	7.777-999.0	Stockpiling discontinued	1	PC		VERSION 1
7	7.303-107.0	Screw 5x16 -10.9-P2R (K-In6Rd)	8	PC		
8	6.490-011.0	Carbon brush set	1	PC	24 V	
9	6.273-196.0	Seal string cellular rubber	1	m		TO ORDER AS CUT GOODS



Übersicht TCU-Kabel B40W-120W / Overview TCU-Cable B40W-120W

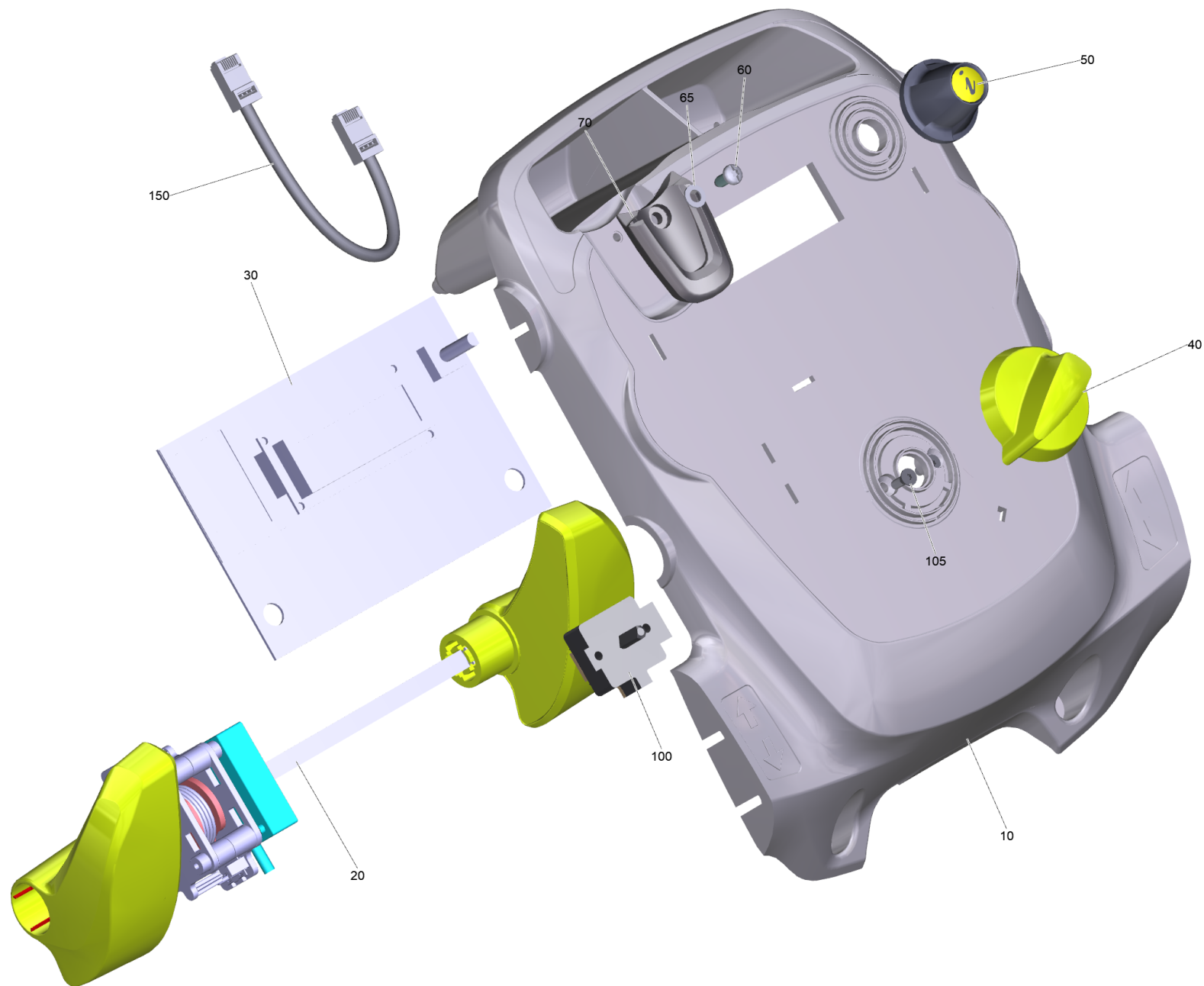


60



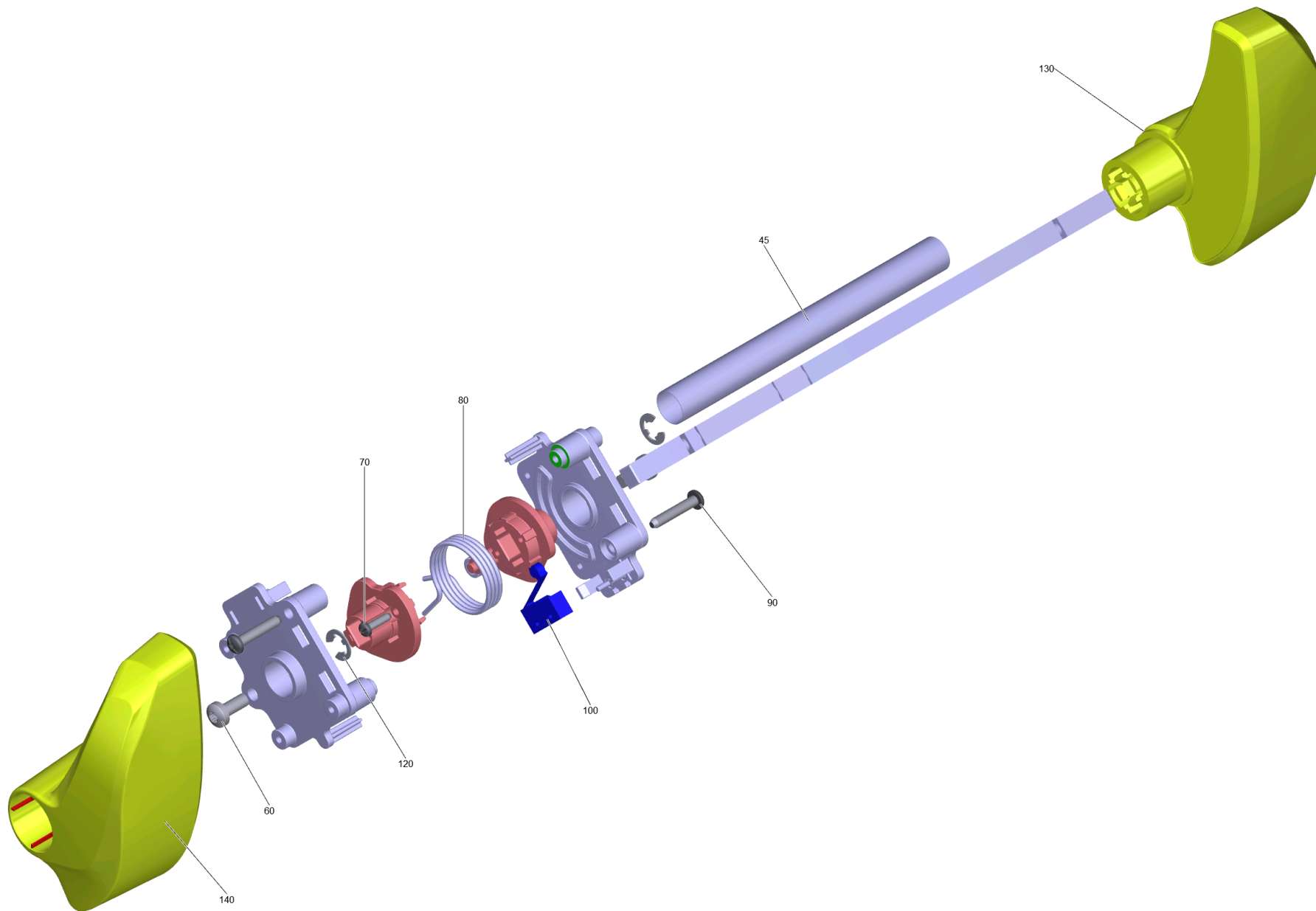
20 Control panel complete 40C Bp Fleet EU

POS	Article no.	Description	Quantity	Unit	Foot note text
10	4.035-130.0	Housing control panel replacement Bp C	1	PC	WITHOUT SLOT FOR 5.033-829.0
10	5.035-219.0	Housing bottom part control panel	1	PC	WITH SLOT FOR 5.033-829.0
20		Covering cap control panel complete BAT	1	PC	
30	5.035-344.0	Key yellow KIK	1	PC	
40	7.303-108.0	Screw 5x20 -10.9-R2R (In6Rd)	7	PC	
50	5.035-348.0	Key grey KIK	1	PC	
60	4.822-986.0	False group cable harness overview B40/60/80/120	1	PC	
80	6.330-111.0	Adapter RJ45 Y-Splitter	1	PC	
81	5.035-196.0	Plate stiffener	1	PC	VERSION 2
90	5.033-829.0	Rubber stopper control panel	1	PC	
99	4.035-064.0	Set key white KIK	1	PC	SET WITH 5 PIECES
99	5.035-337.0	Key red KIK	1	PC	
100	6.882-000.0	Cable blue Patch	1	PC	
110	6.640-751.0	Adapter plug at the Y CAN	1	PC	
200	2.643-348.0	KAERCHER reversion kit Fleet Services B40-80 EU	1	PC	
200	2.644-093.0	KAERCHER reversion kit Fleet EU* Services B40-80	1	PC	
900	4.035-076.0	Key white KIK	1	PC	
901	4.035-408.0	Set key yellow KIK	1	PC	



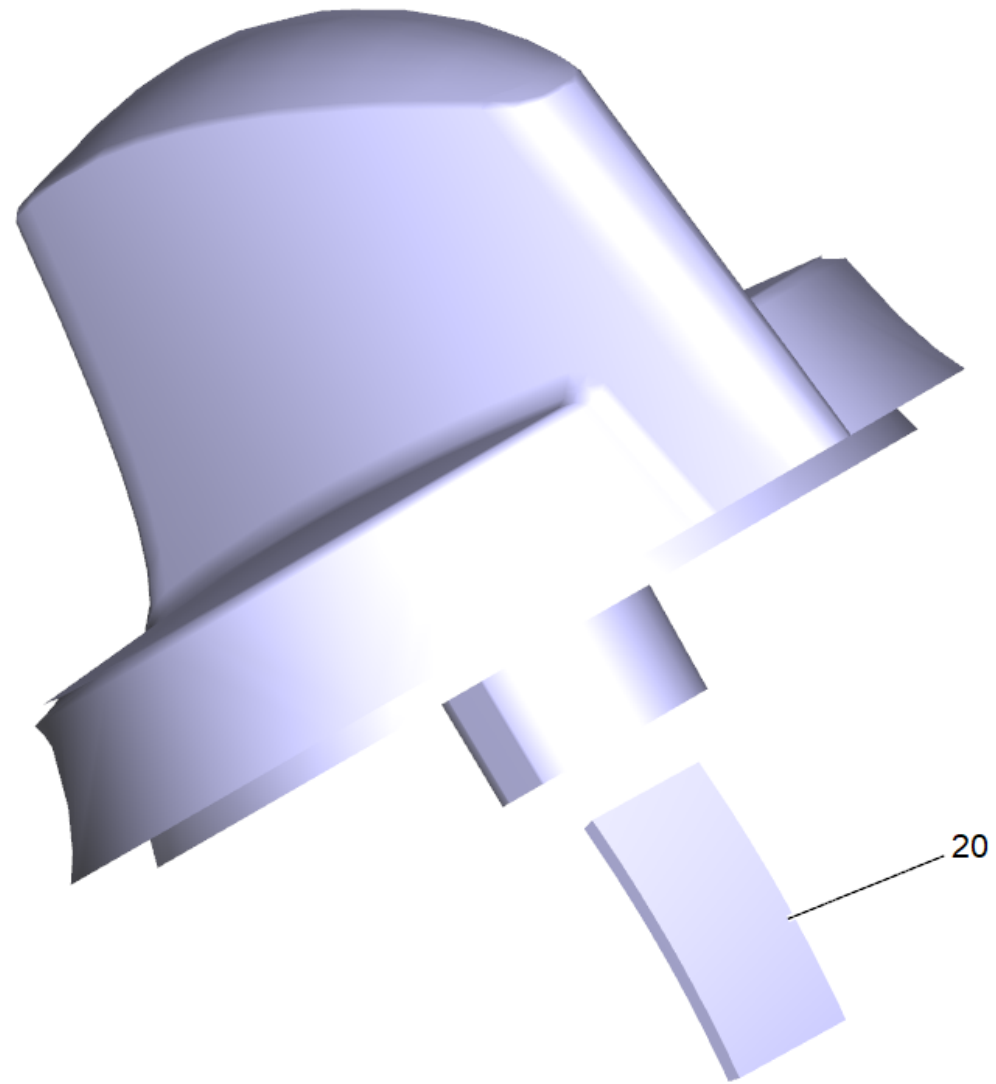
20 Covering cap control panel complete BAT

POS	Article no.	Description	Quantity	Unit	Foot note text
10	4.035-117.0	Covering cap control panel replacement B	1	PC	WITH SLOT FOR 5.033-829.0
10	4.035-412.0	Covering cap control panel foil Bp C	1	PC	WITHOUT SLOT FOR 5.033-829.0
20	4.035-984.0	Tachograph set Bp	1	PC	
30	4.683-310.0	Circuit board replacement C	1	PC	
40	4.035-608.0	Handhold operational concept complete	1	PC	
50	5.321-750.0	Handhold info panel	1	PC	
60	7.303-274.0	Screw 5x12 -A2-70 (In6Rd)	1	PC	
65	7.312-052.0	Washer 5 -A2 ISO 7089	1	PC	
70	5.035-343.0	Guide key	1	PC	
100	4.035-415.0	Switch program selection replacement	1	PC	
105	7.305-036.0	Countersunk screw M4x12 -A2-70-s (IN6RD	2	PC	
150	6.649-933.0	Cable Patch	1	PC	



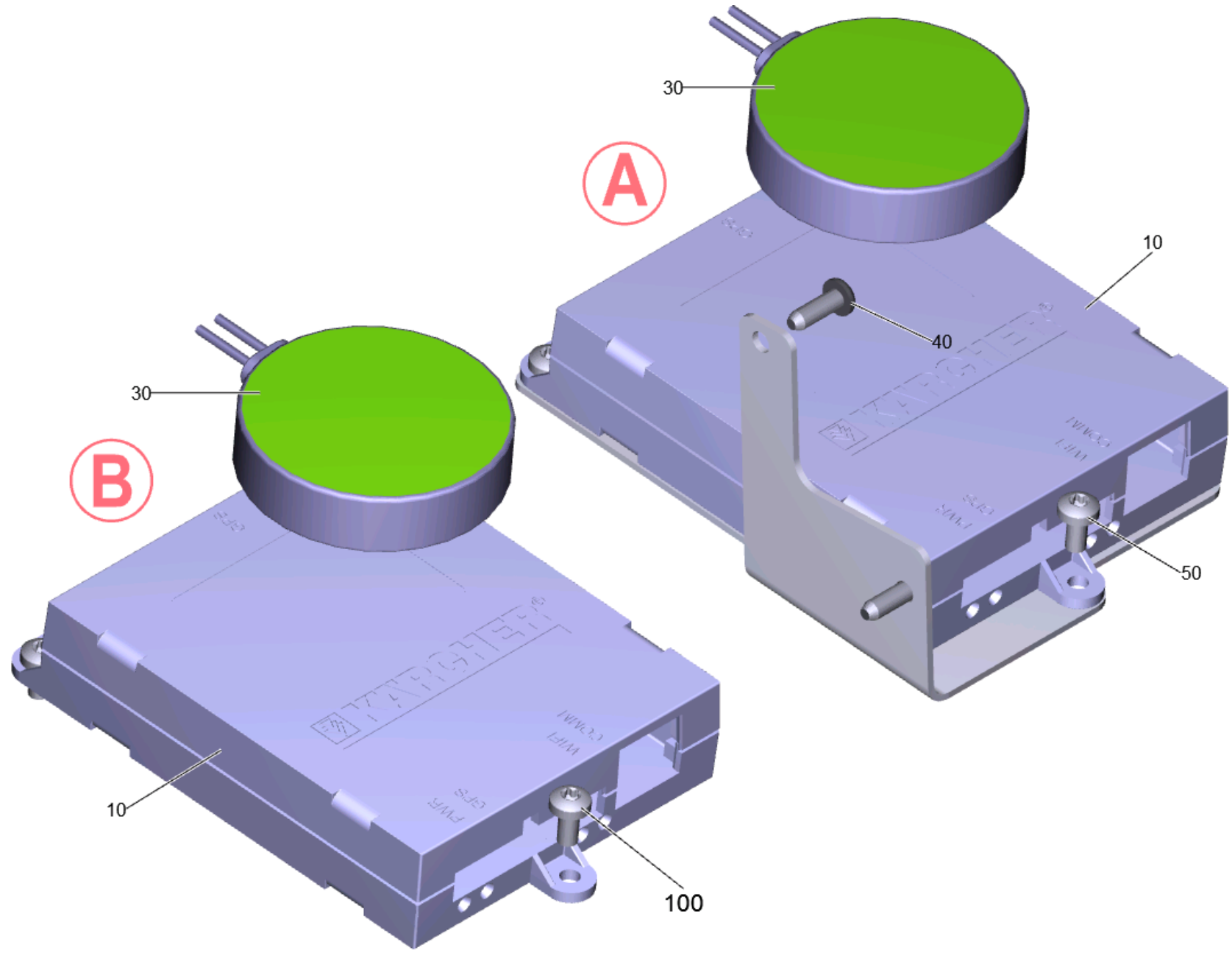
20 Tachograph set Bp (4.035-984.0)

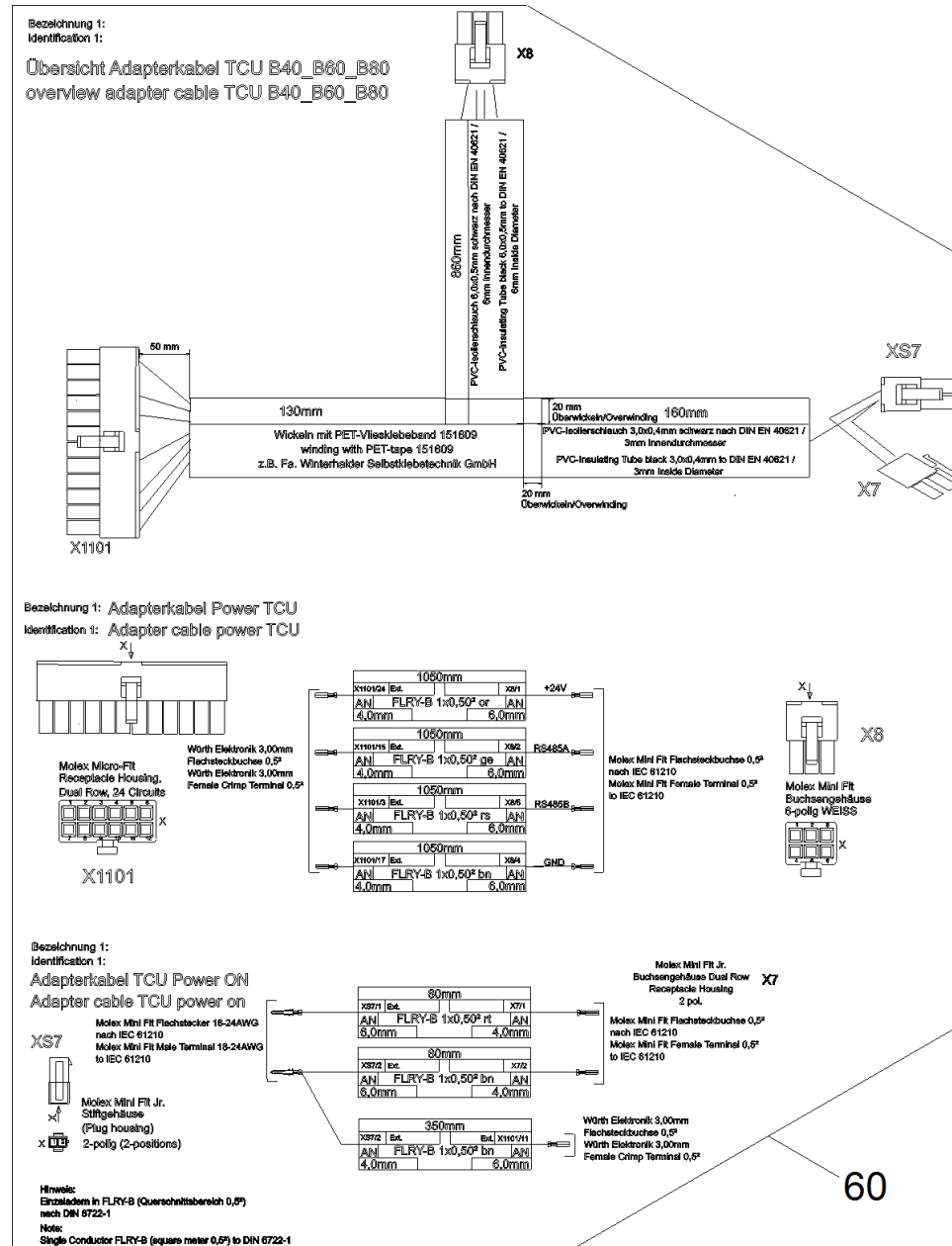
POS	Article no.	Description	Quantity	Unit	Foot note text
45	6.642-014.0	Insulating hose 13	1	m	TO ORDER AS CUT GOODS
60	7.306-394.0	Screw M5x12 -8.8-ZNBHL ISO 14583	2	PC	
70	6.303-557.0	Screw 3x12 Kombitorx T8	2	PC	
80	6.330-441.0	Torsion spring tachograph	1	PC	
90	7.303-096.0	Screw 4x22-ST-10.9-R2R (IN6RD)	2	PC	
100	6.630-732.0	Switch gold plated	1	PC	
120	7.343-201.0	Lock washer 6-FST-PHR DIN 6799	2	PC	
130	4.035-495.0	Tachograph right complete	1	PC	
140	4.035-496.0	Tachograph left complete	1	PC	



40 Handhold operational concept complete (4.035-608.0)

POS	Article no.	Description	Quantity	Unit
20	6.313-014.0	Spring element	1	PC



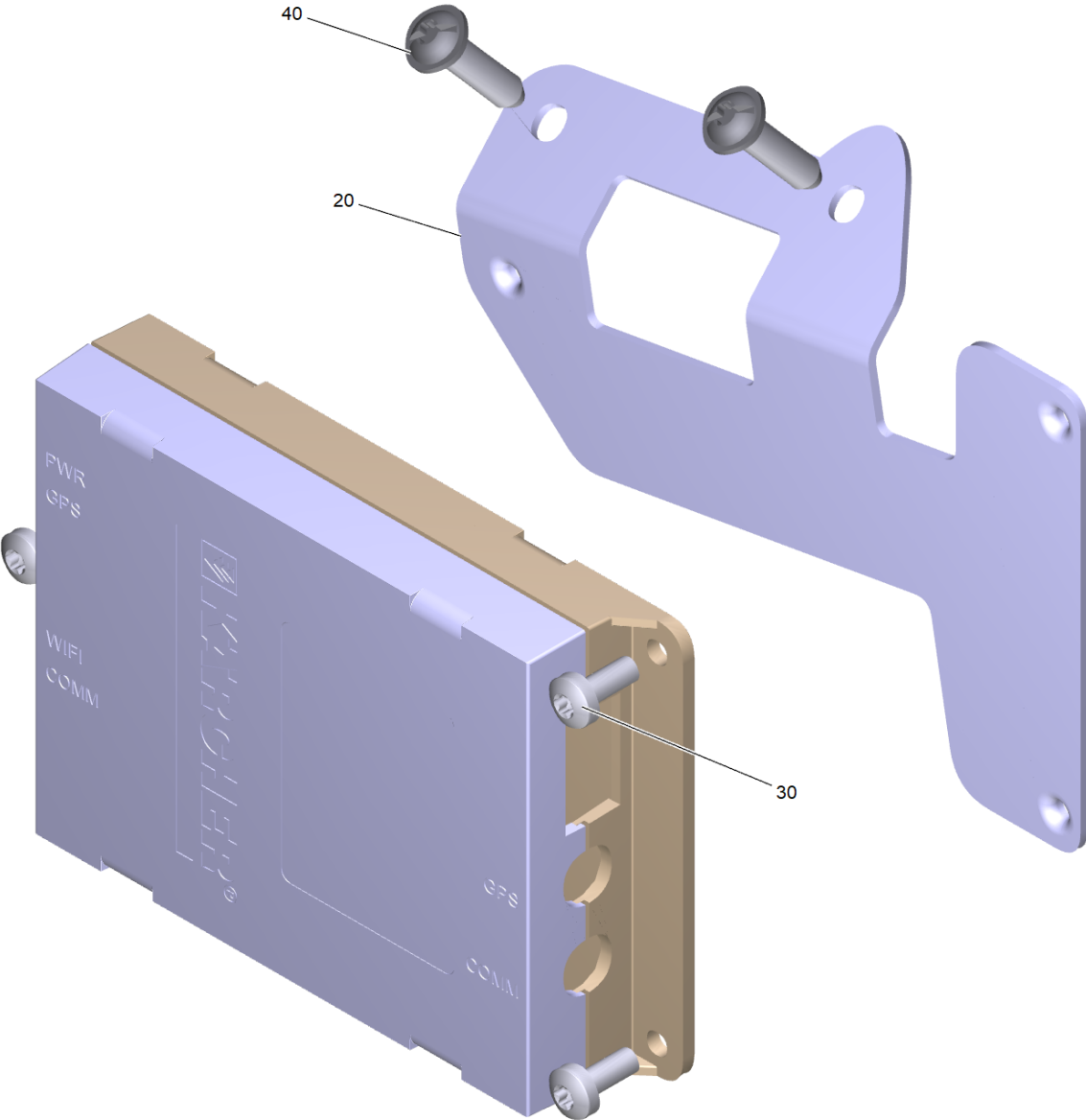


200 KAERCHER reversion kit Fleet Services B40-80 EU (2.643-348.0)

POS	Article no.	Description	Quantity	Unit	Foot note text
10	2.644-213.0	Kaercher Fleet services B110R	1	PC	
30	4.682-006.0	Antenna fleet management module replacem	1	PC	
40	7.303-095.0	Screw 4x12-ST-10.9-R2R (IN6RD)	2	PC	VERSION A
50	7.306-205.0	Screw M4x8 -A2-70 ISO 14853	3	PC	VERSION A
60	4.822-943.0	Cable B40/60/80 TCU Fleetmanagement	1	PC	
100	7.303-102.0	Screw 3,5x12 -A2-70-bk (In6Rd)	3	PC	VERSION B

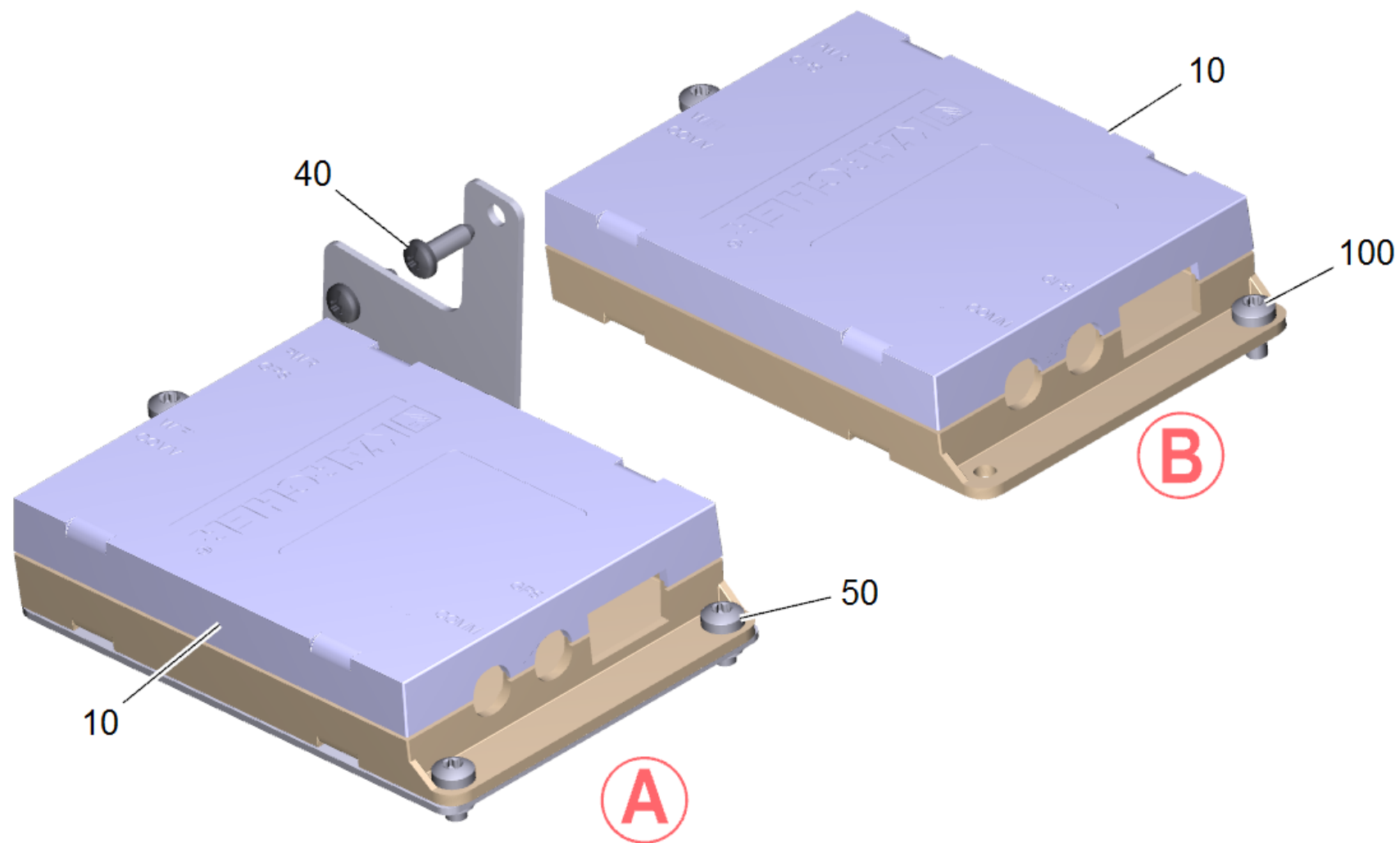
10 Kaercher Fleet services B110R (2.644-213.0)

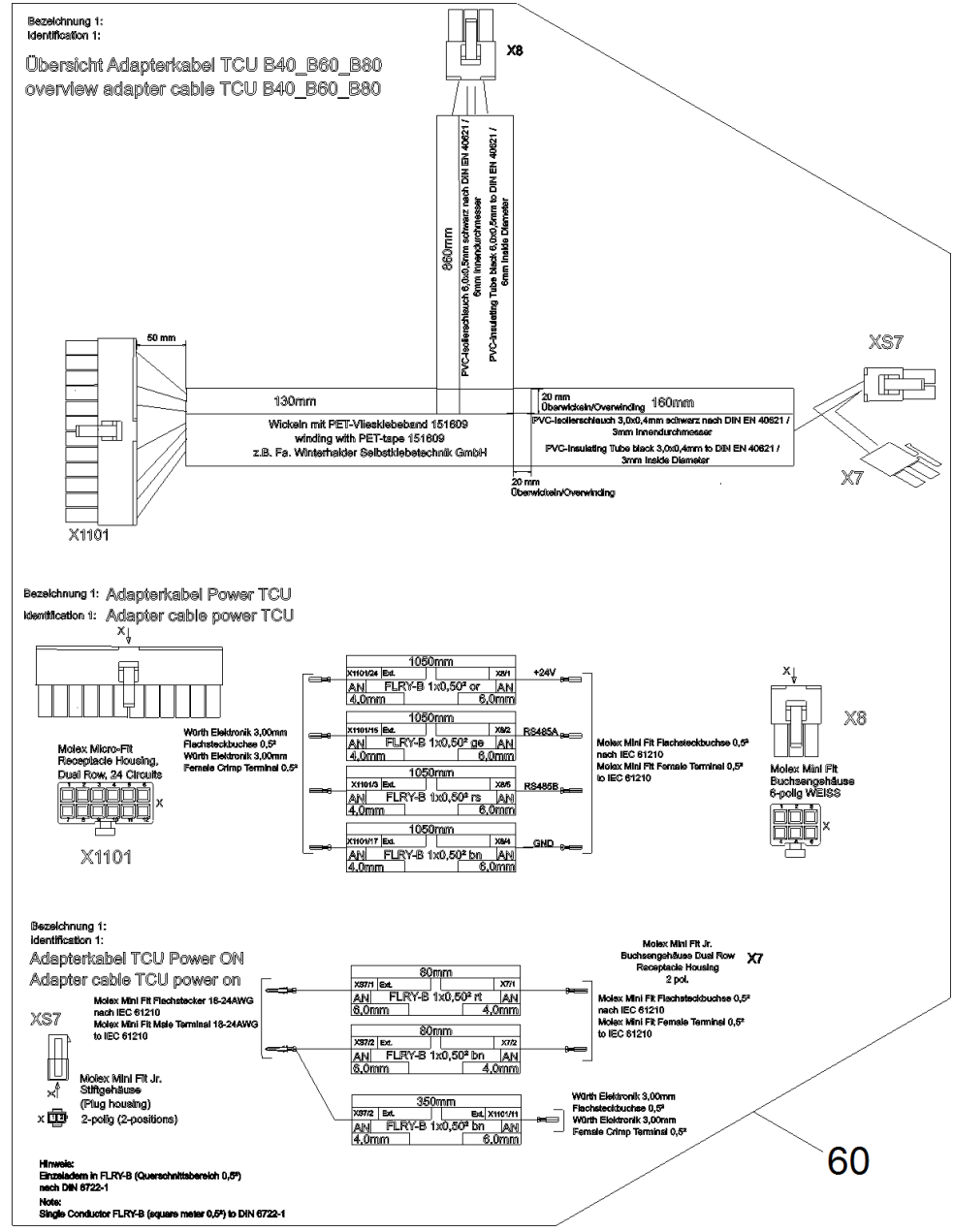
POS	Description	Quantity	Unit
10	Kaercher Fleet services B110R	1	PC



10 Kaercher Fleet services B110R

POS	Article no.	Description	Quantity	Unit
20	5.039-431.0	Retaining plate fleet management module B110	1	PC
30	7.306-206.0	Screw M4x10 -A2-70 ISO 14583	3	PC
40	7.303-108.0	Screw 5x20 -10.9-R2R (In6Rd)	2	PC



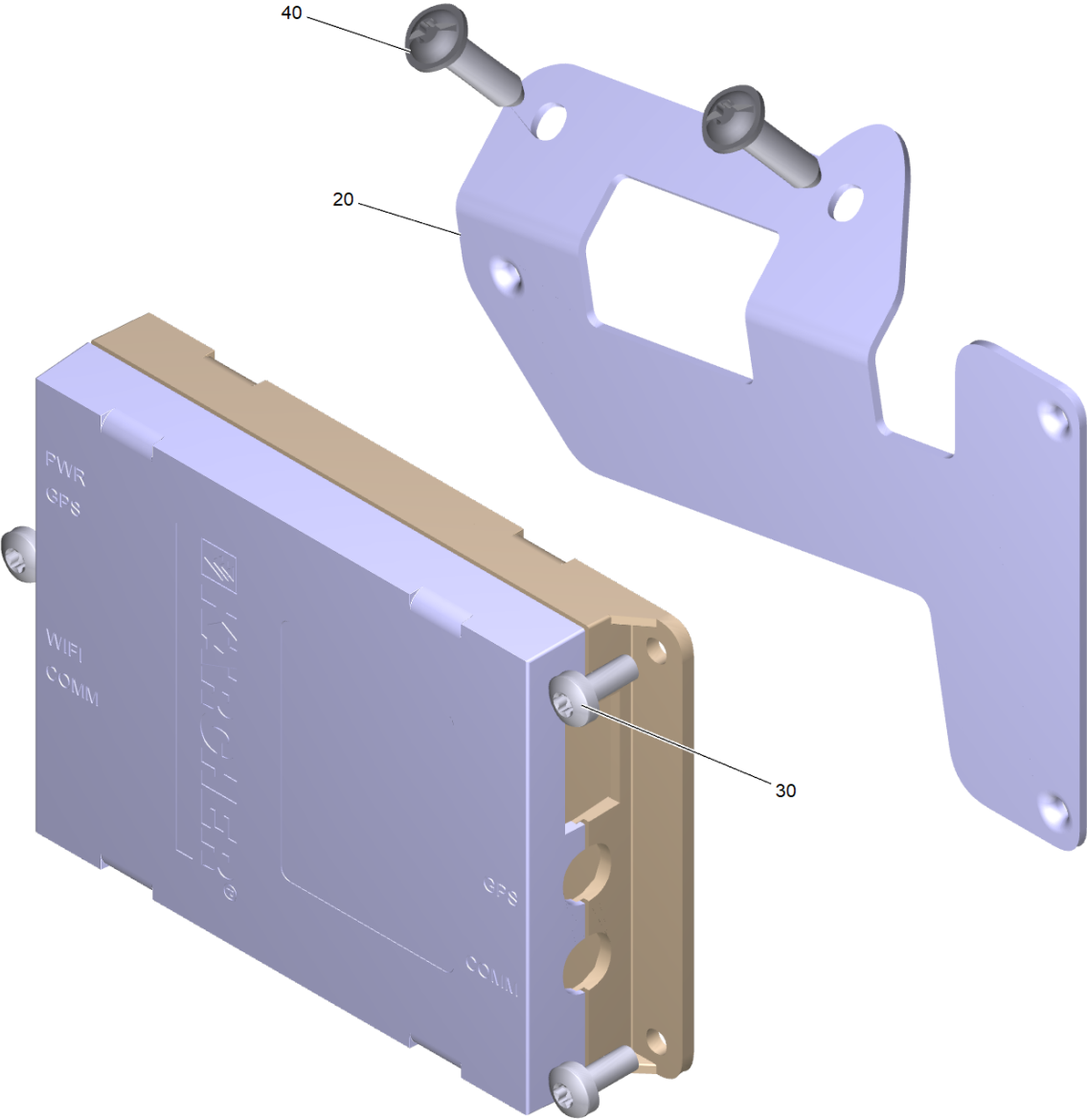


200 KAERCHER reversion kit Fleet EU* Services B40-80 (2.644-093.0)

POS	Article no.	Description	Quantity	Unit
10	2.644-213.0	Kaercher Fleet services B110R	1	PC
40	7.303-095.0	Screw 4x12-ST-10.9-R2R (IN6RD)	2	PC
50	7.306-205.0	Screw M4x8 -A2-70 ISO 14853	3	PC
60	4.822-943.0	Cable B40/60/80 TCU Fleetmanagement	1	PC
100	7.303-102.0	Screw 3,5x12 -A2-70-bk (In6Rd)	3	PC

10 Kaercher Fleet services B110R (2.644-213.0)

POS	Description	Quantity	Unit
10	Kaercher Fleet services B110R	1	PC

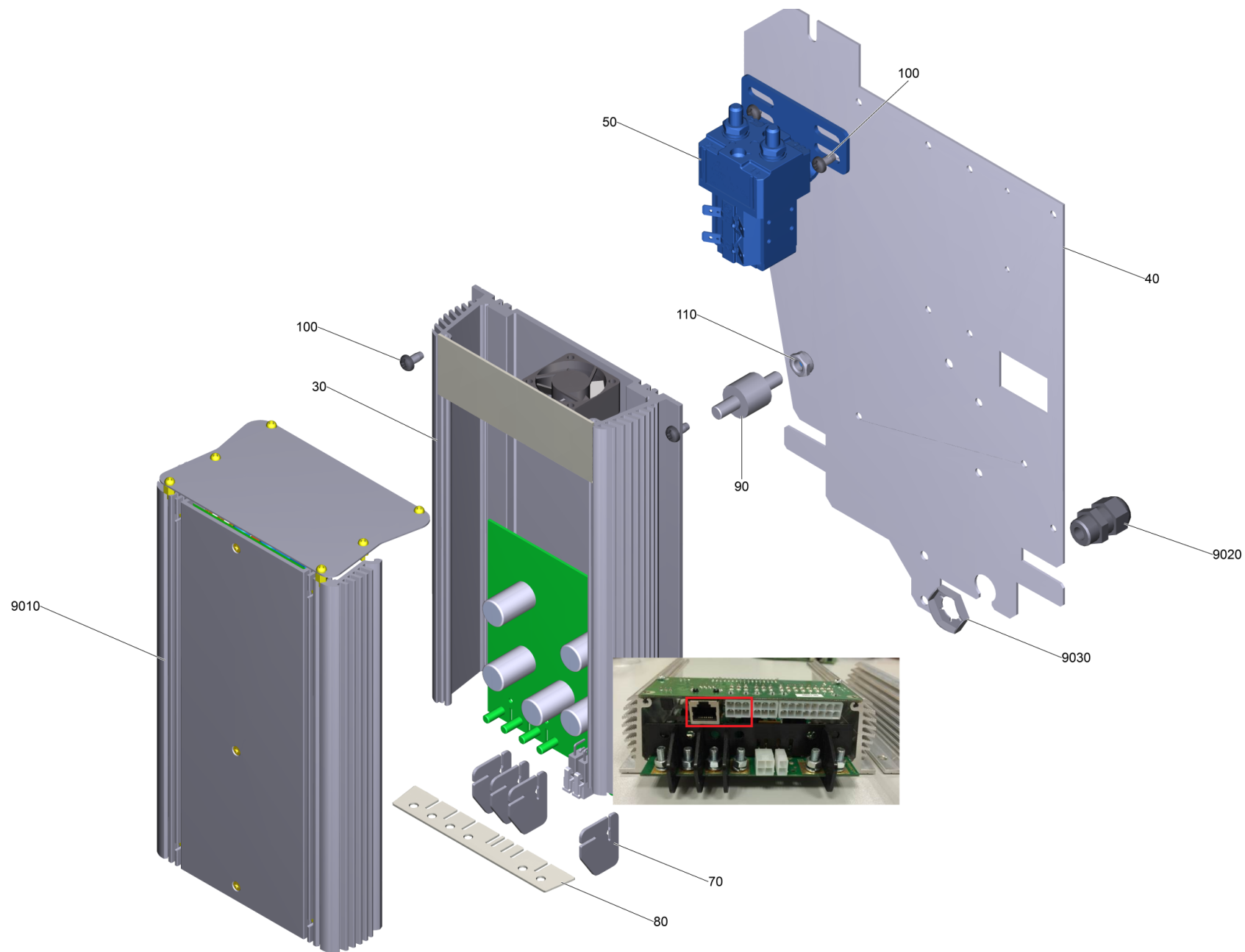


10 Kaercher Fleet services B110R

POS	Article no.	Description	Quantity	Unit
20	5.039-431.0	Retaining plate fleet management module B110	1	PC
30	7.306-206.0	Screw M4x10 -A2-70 ISO 14583	3	PC
40	7.303-108.0	Screw 5x20 -10.9-R2R (In6Rd)	2	PC

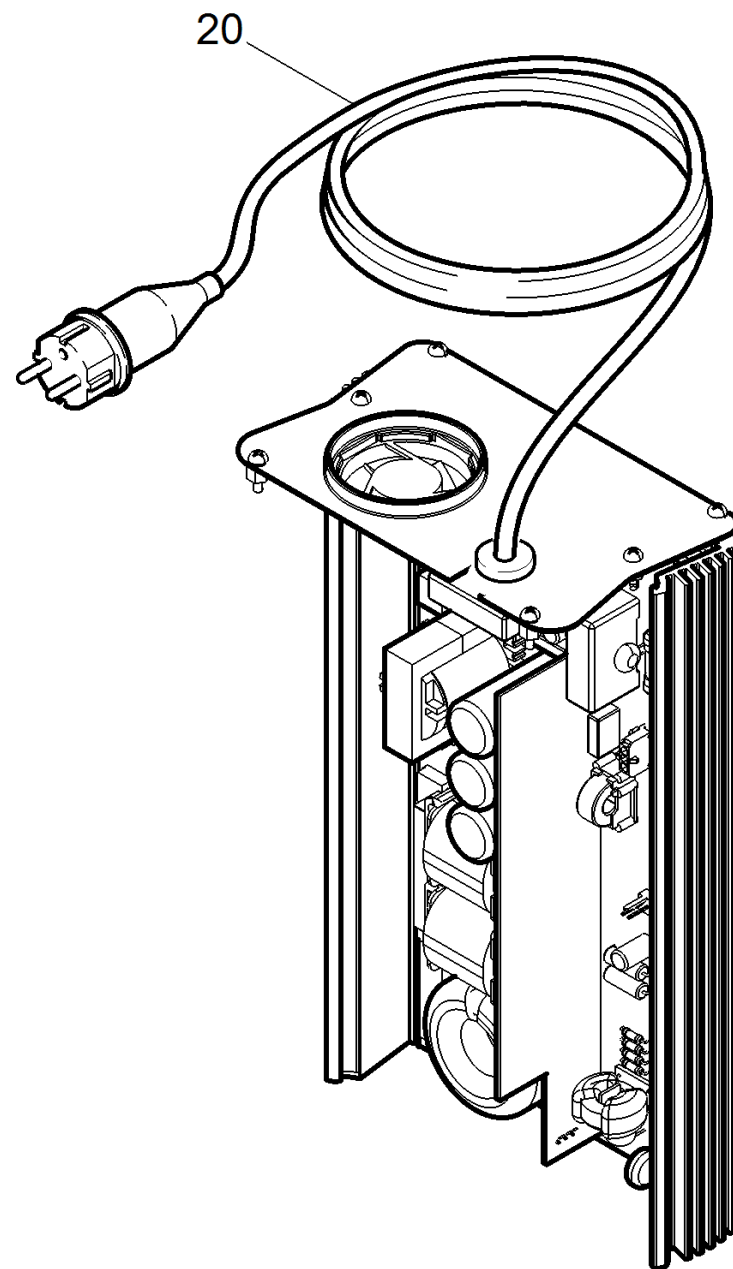
901 Set key yellow KIK (4.035-408.0)

POS	Article no.	Description	Quantity	Unit
10	5.035-344.0	Key yellow KIK	5	PC
20	6.590-355.0	Bag PE 130x140 mm neutral	1	PC
30	6.376-020.0	Label 65X55 MM	1	ZST



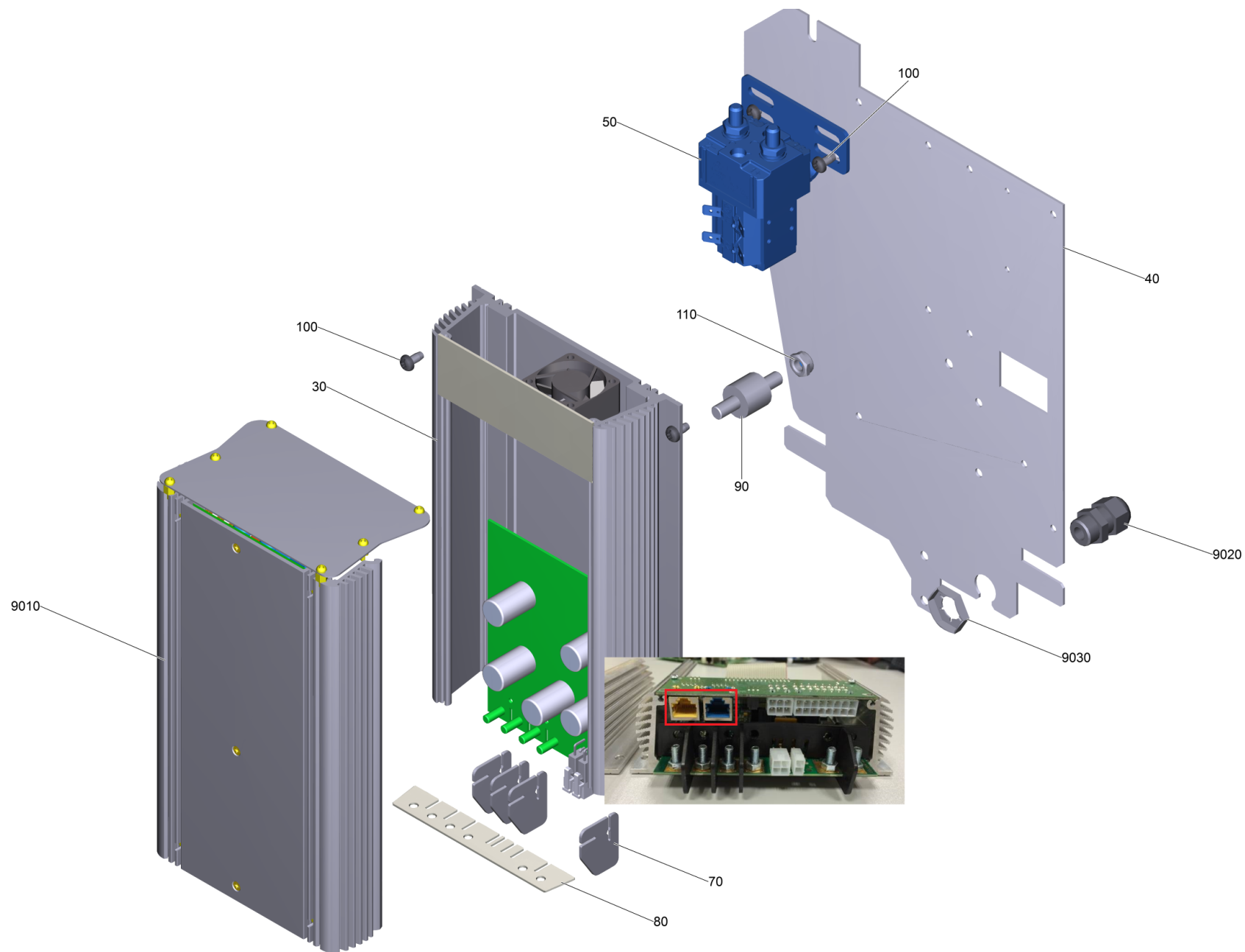
40 Electric equipment B40 C Bp Dose

POS	Article no.	Description	Quantity	Unit
10	4.822-899.0	Cable harness B40 C Bp	1	PC
30	4.683-074.0	Electronics control system replacement B	1	PC
40	5.035-449.0	Plate base plate electronics	1	PC
50	6.633-044.0	Relay 120A	1	PC
50	6.633-389.0	Relay 24VDC / 100A	1	PC
70	5.035-359.0	Moulded part plate electronics klein	4	PC
80	5.035-362.0	Moulded part plate electronics	1	PC
90	6.652-033.0	Isolator	1	PC
100	7.303-037.0	Screw M5x10 -St-P2R (In6Rd)	6	PC
110	7.311-427.0	Hexagon nut M8 -04-A2E DIN 985	1	PC
120	6.648-399.0	Cable gland black M16x1,5	1	PC
130	7.777-999.0	Stockpiling discontinued	1	PC
9000	6.645-554.0	Connecting cable control system battery charger	1	PC
9010	6.654-337.0	Battery charger replacement B 40 Japan	1	PC
9010	6.683-119.0	Battery charger replacement B 40 *EU	1	PC
9020	6.648-399.0	Cable gland black M16x1,5	1	PC
9030	7.777-999.0	Stockpiling discontinued	1	PC



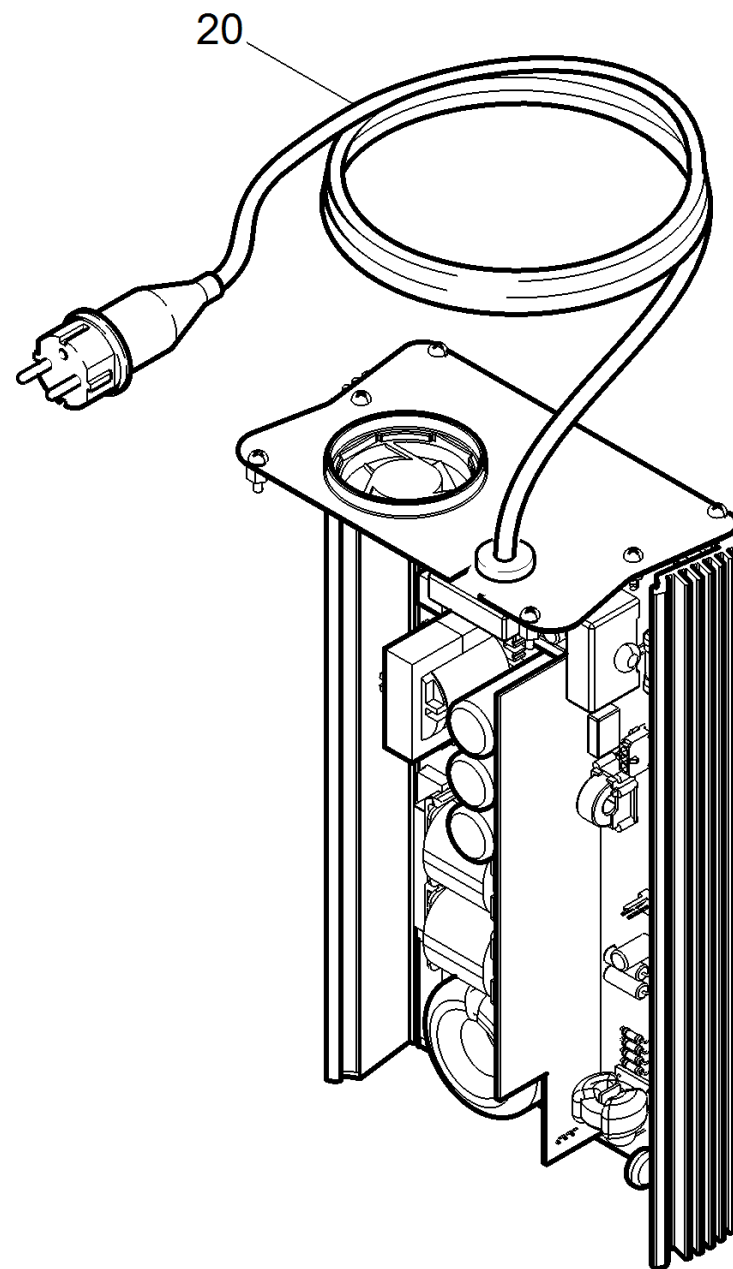
9010 Battery charger replacement B 40 *EU (6.683-119.0)

POS	Article no.	Description	Quantity	Unit	Remark
20	6.645-553.0	Cable with plug	1	PC	*EU
20	6.645-586.0	Cable with plug B40-USA	1	PC	*US



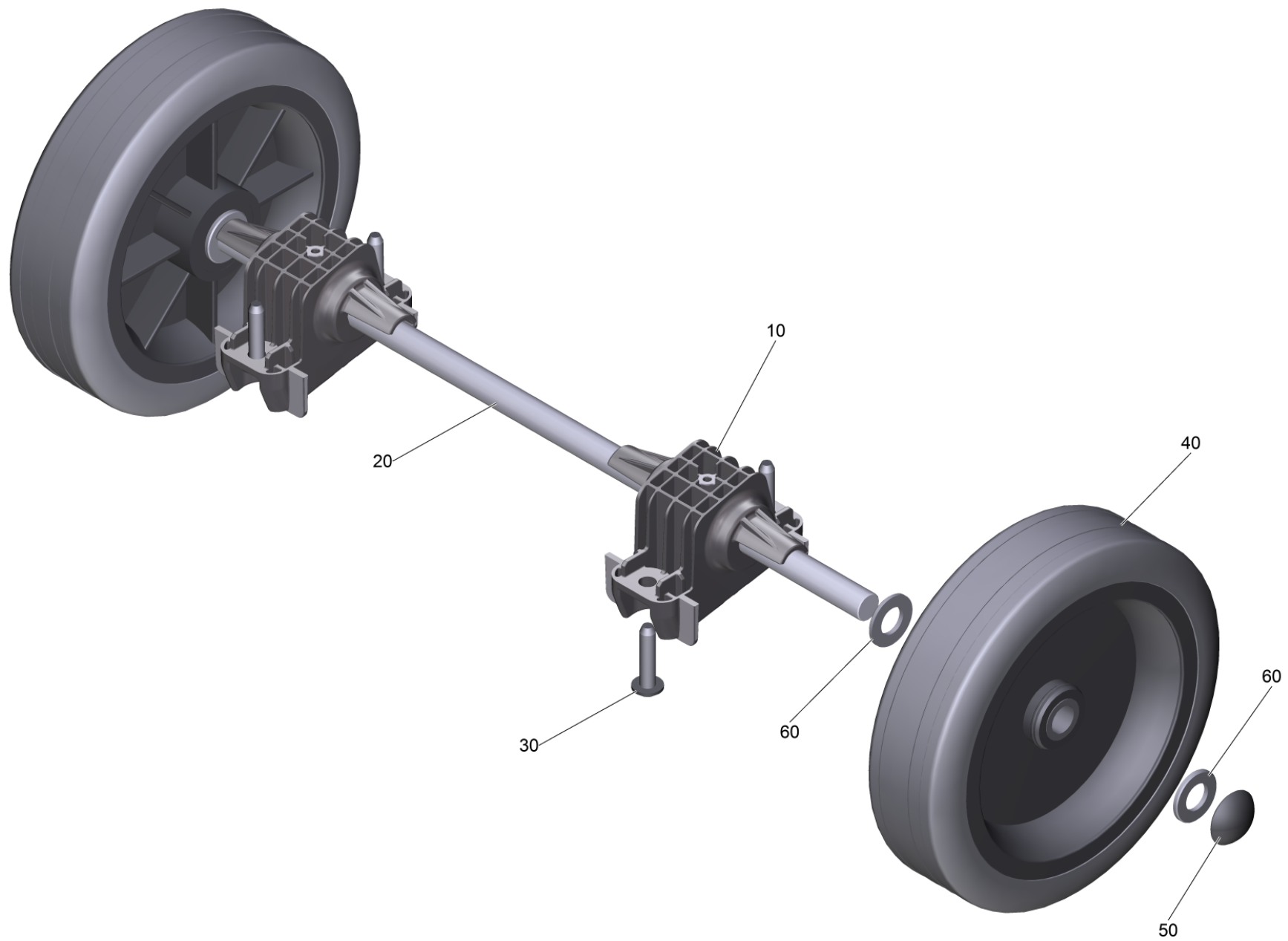
40 Electric equipment B40 C BP Dose CAN

POS	Article no.	Description	Quantity	Unit	Remark
10	4.822-899.0	Cable harness B40 C Bp	1	PC	
30	4.683-074.0	Electronics control system replacement B	1	PC	
40	5.035-449.0	Plate base plate electronics	1	PC	
50	4.633-110.0	Relay replacement set	1	PC	
70	5.035-359.0	Moulded part plate electronics klein	4	PC	
80	5.035-362.0	Moulded part plate electronics	1	PC	
90	6.652-033.0	Isolator	1	PC	
100	7.303-037.0	Screw M5x10 -St-P2R (In6Rd)	6	PC	
110	7.311-427.0	Hexagon nut M8 -04-A2E DIN 985	1	PC	
9000	6.645-554.0	Connecting cable control system battery charger	1	PC	
9010	6.654-337.0	Battery charger replacement B 40 Japan	1	PC	*JP
9010	6.683-119.0	Battery charger replacement B 40 *EU	1	PC	
9020	6.648-399.0	Cable gland black M16x1,5	1	PC	
9030	7.777-999.0	Stockpiling discontinued	1	PC	



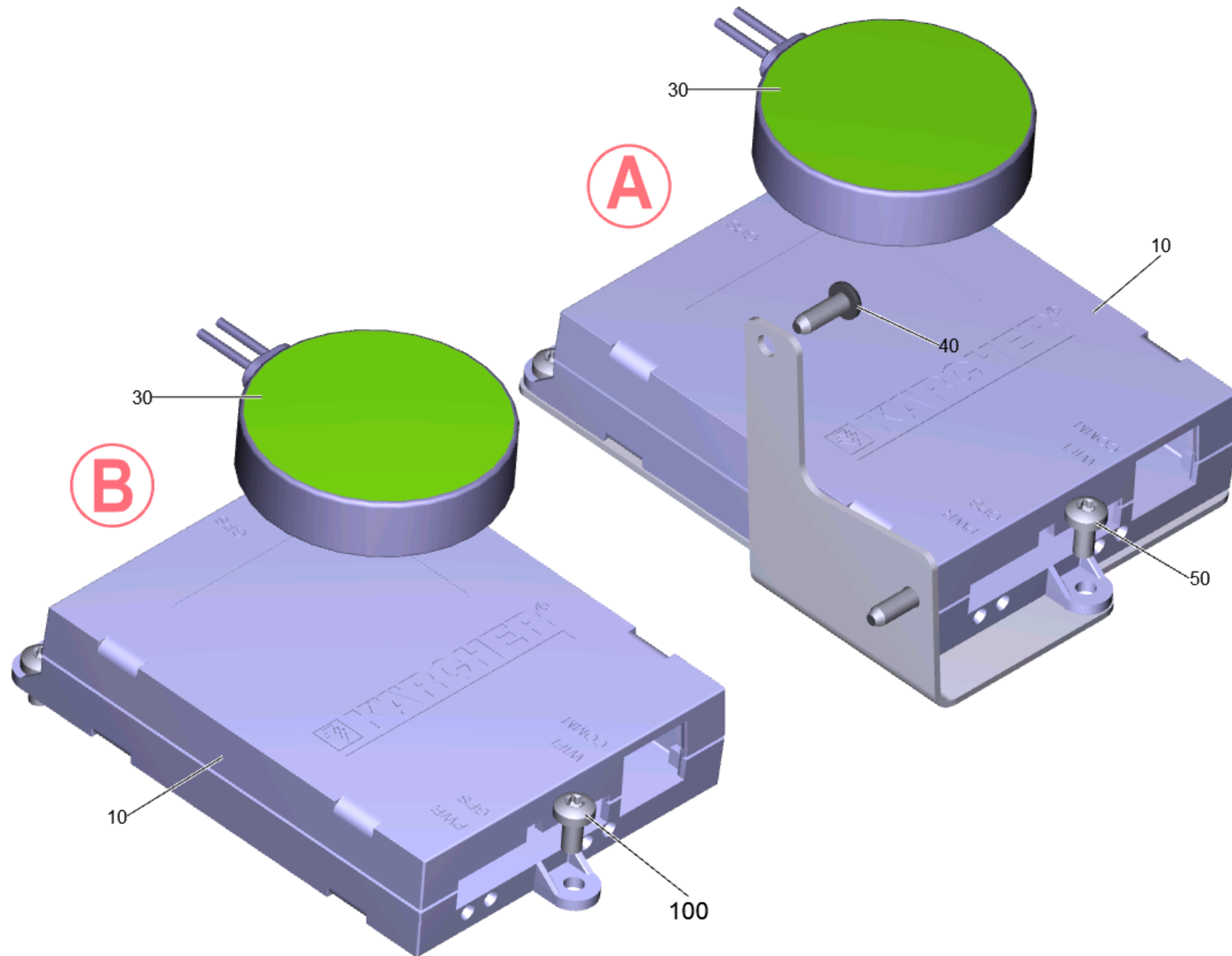
9010 Battery charger replacement B 40 *EU (6.683-119.0)

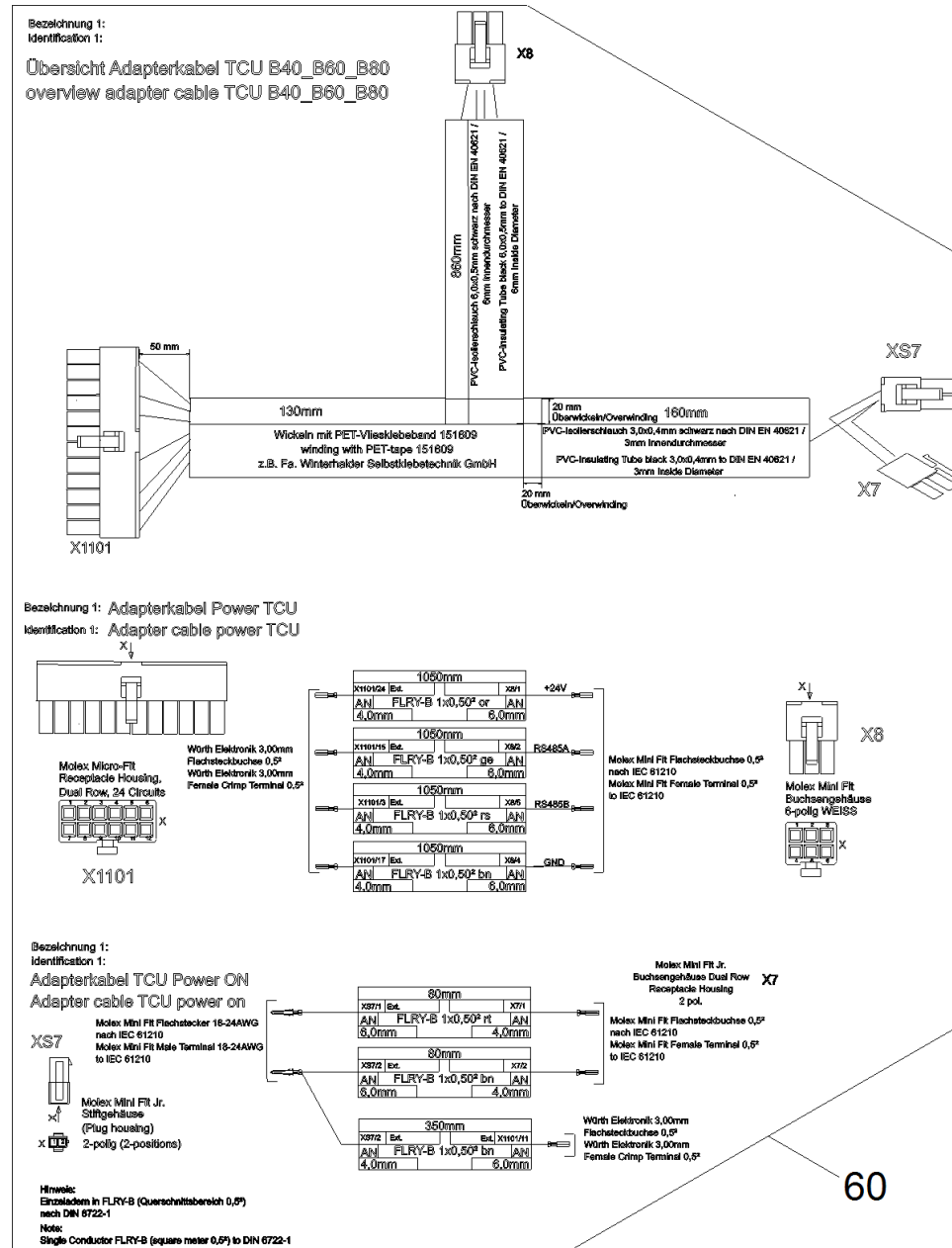
POS	Article no.	Description	Quantity	Unit	Remark
20	6.645-553.0	Cable with plug	1	PC	*EU
20	6.645-586.0	Cable with plug B40-USA	1	PC	*US



70 Axle complete

POS	Article no.	Description	Quantity	Unit
10	5.035-352.0	Holder axle	2	PC
20	5.035-360.0	Wheel axle carriage	1	PC
30	6.303-315.0	Screw 8 x 35	4	PC
40	6.435-412.0	Wheel D 200	2	PC
50	6.343-240.0	Lock washer	2	PC
60	7.312-028.0	Washer 14-200HV-A3E ISO7089	4	PC



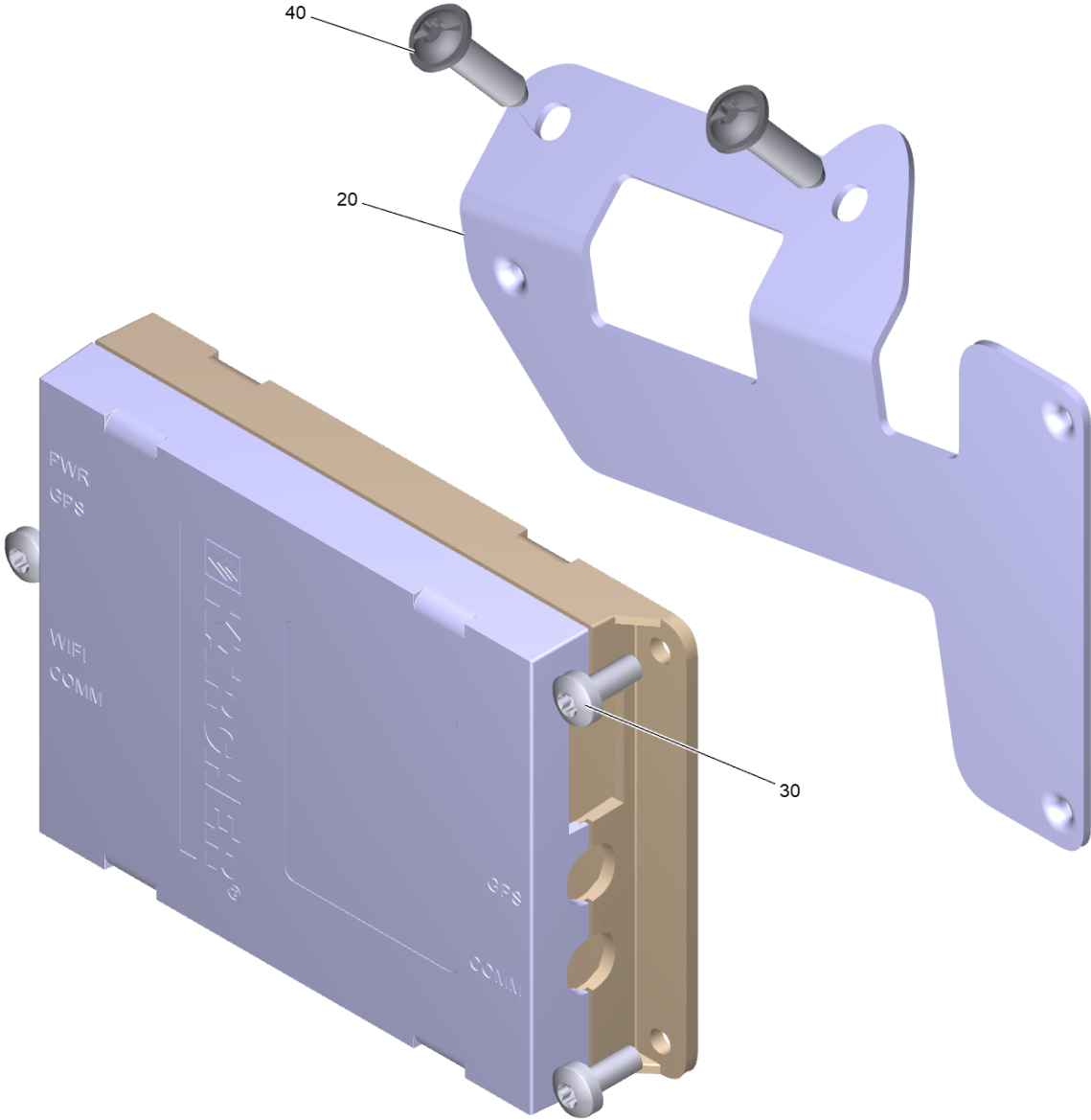


1040 Spare parts list Fleet Services B40-80 (5.973-380.0)

POS	Article no.	Description	Quantity	Unit
10	2.644-213.0	Kaercher Fleet services B110R	1	PC
30	4.682-006.0	Antenna fleet management module replacem	1	PC
40	7.303-095.0	Screw 4x12-ST-10.9-R2R (IN6RD)	2	PC
50	7.306-205.0	Screw M4x8 -A2-70 ISO 14853	3	PC
60	4.822-943.0	Cable B40/60/80 TCU Fleetmanagement	1	PC
100	7.303-102.0	Screw 3,5x12 -A2-70-bk (In6Rd)	3	PC

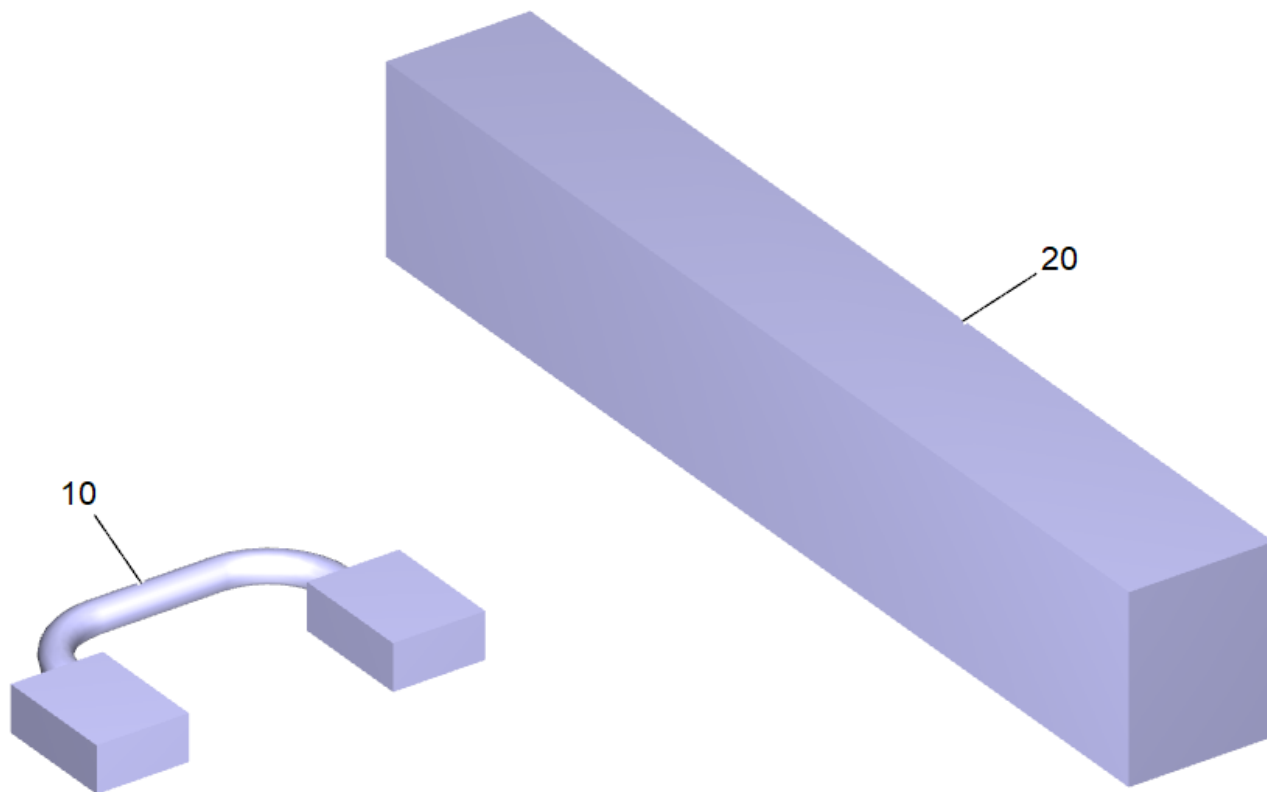
10 Kaercher Fleet services B110R (2.644-213.0)

POS	Description	Quantity	Unit
10	Kaercher Fleet services B110R	1	PC



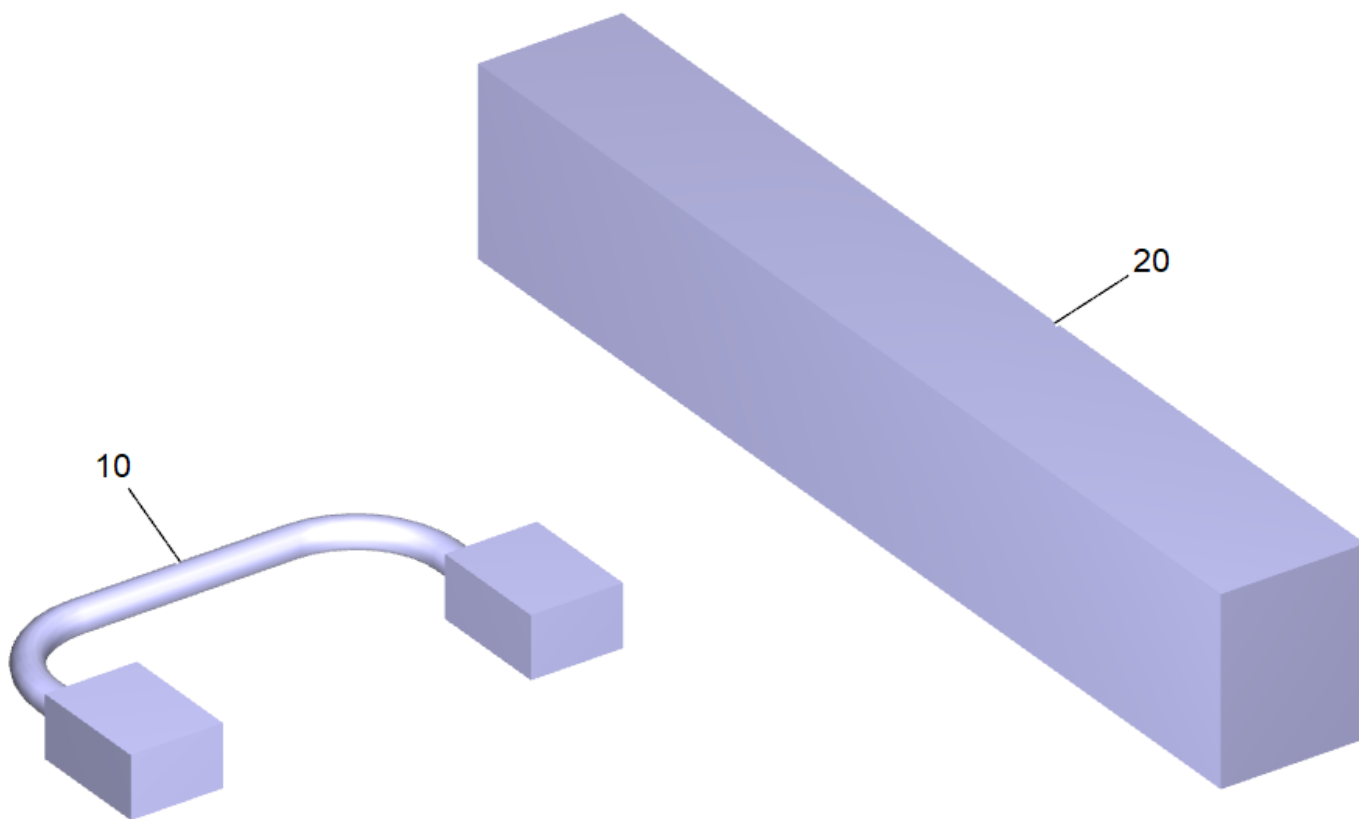
10 Kaercher Fleet services B110R

POS	Article no.	Description	Quantity	Unit
20	5.039-431.0	Retaining plate fleet management module B110	1	PC
30	7.306-206.0	Screw M4x10 -A2-70 ISO 14583	3	PC
40	7.303-108.0	Screw 5x20 -10.9-R2R (In6Rd)	2	PC



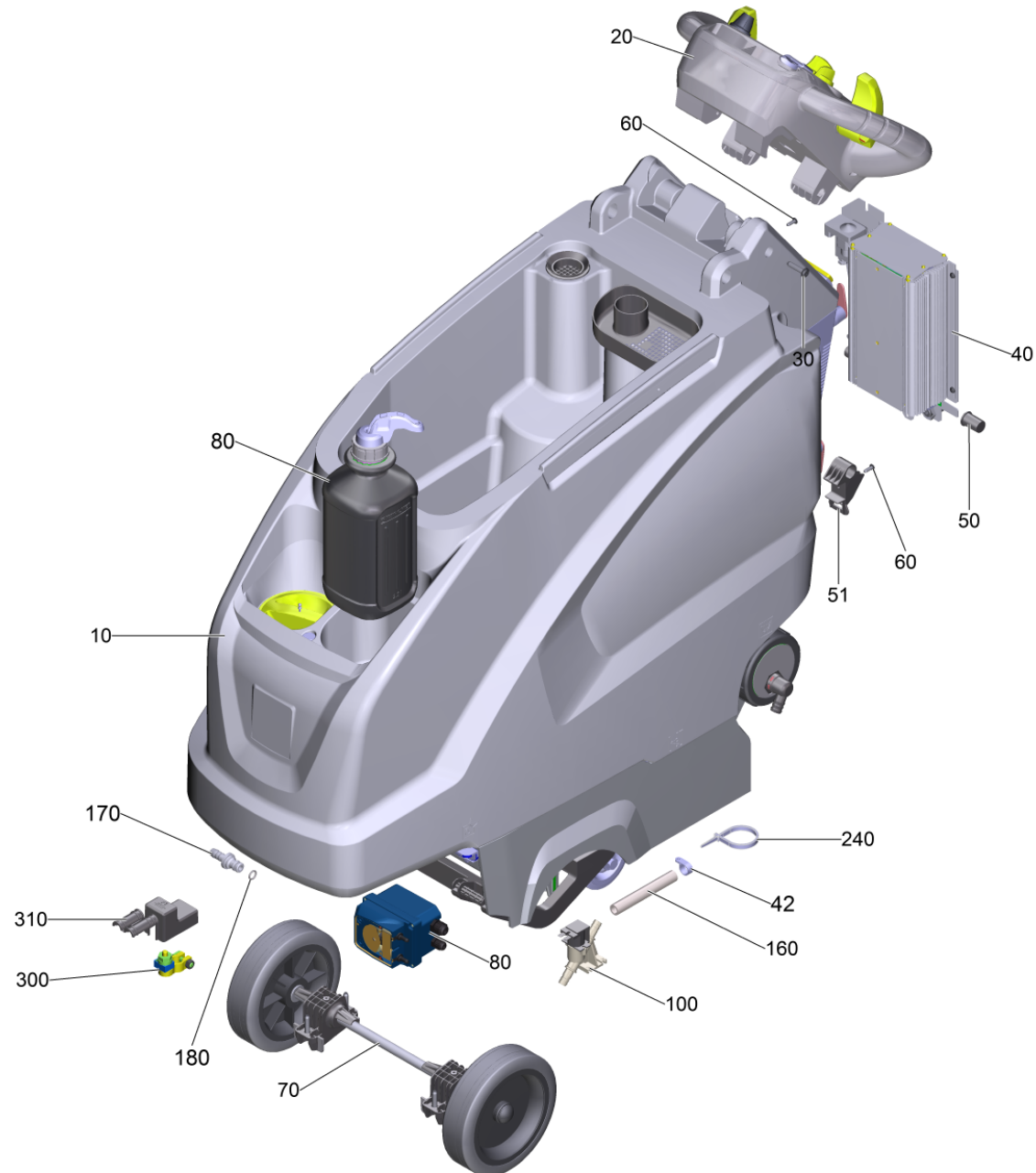
9523 Mounting kit battery kit (2.638-036.0)

POS	Article no.	Description	Quantity	Unit
10	6.649-879.0	Cable battery 25 mm ² . 160 mm	1	PC
20	5.642-021.0	Distance holder battery	1	PC



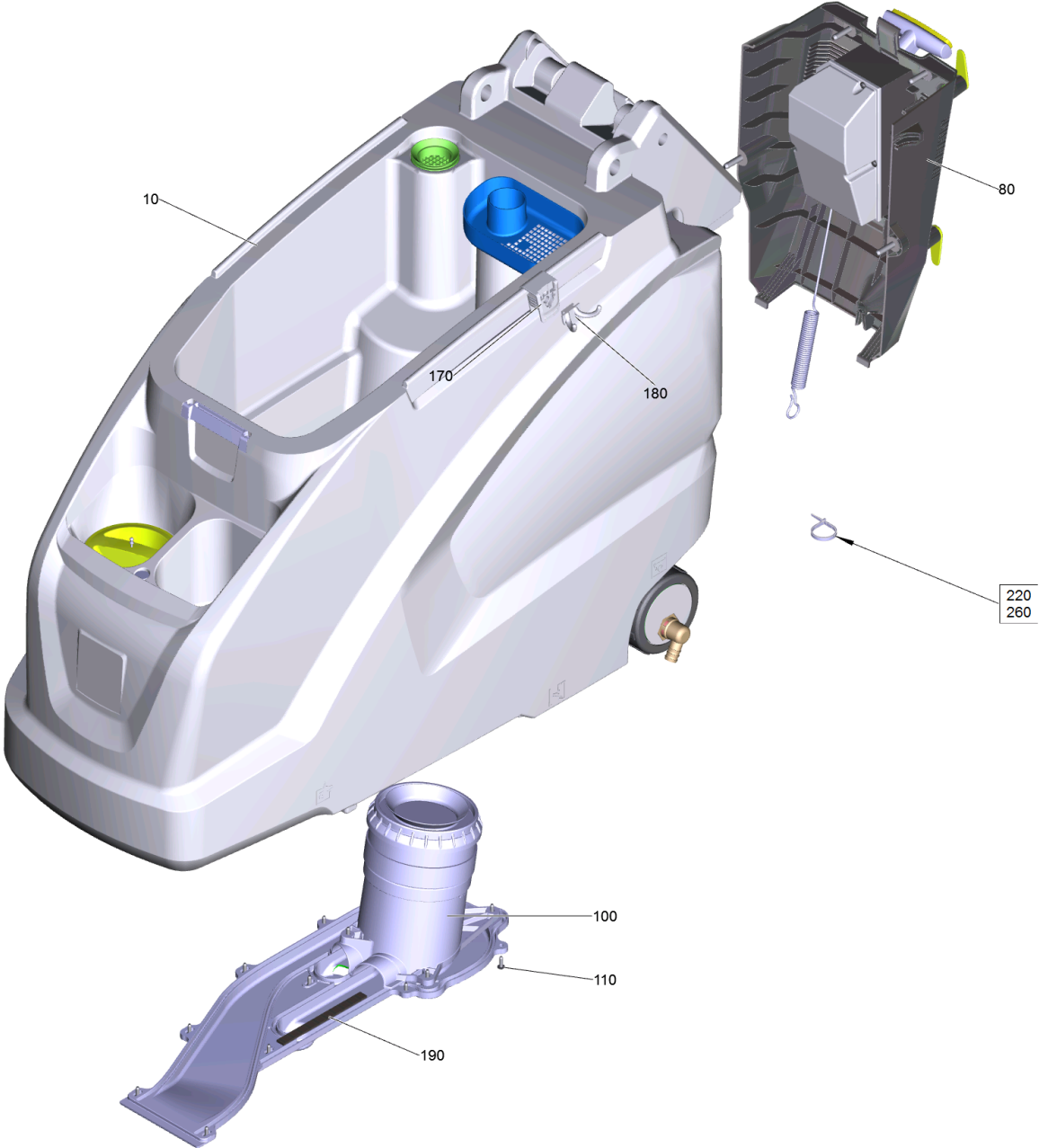
9531 Mounting kit battery kit (2.638-059.0)

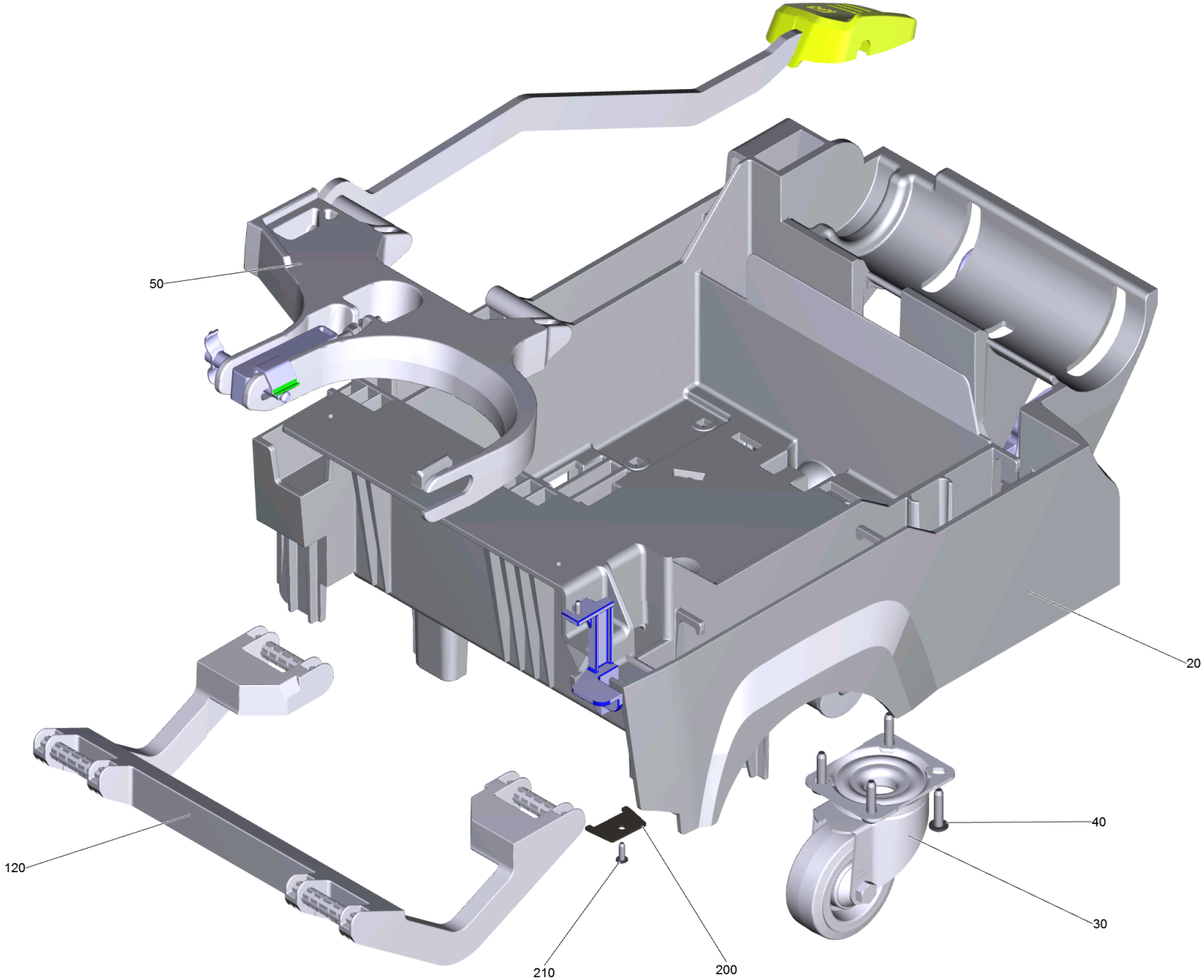
POS	Article no.	Description	Quantity	Unit
10	6.649-601.0	Cable battery short Hoppecke	1	PC
20	5.642-021.0	Distance holder battery	1	PC

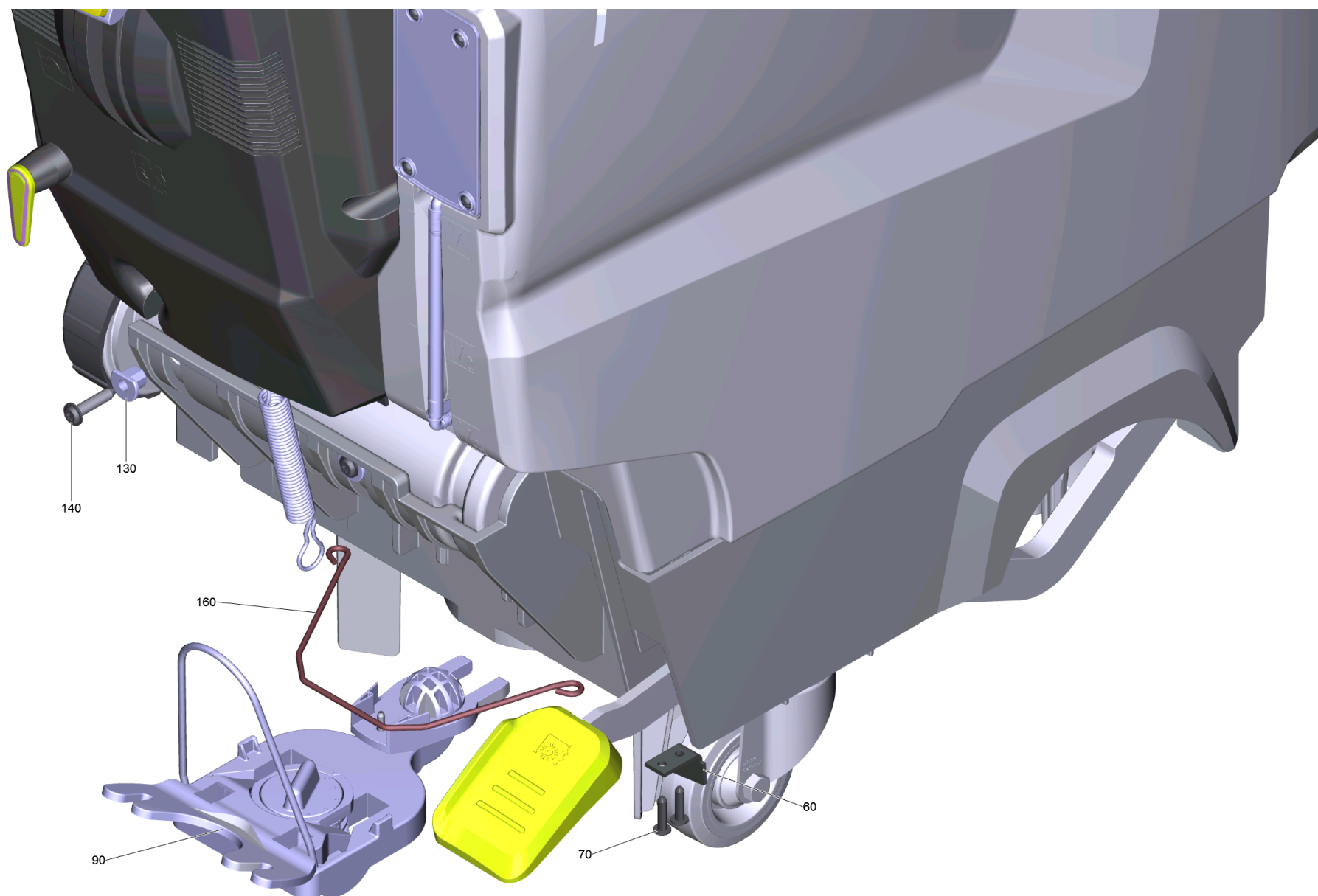


110 B 40 C Bp DOSE Fleet (2.533-223.7)

POS	Article no.	Description	Quantity	Unit	Foot note text
10		Basic machinery B40	1	PC	
20		Control panel complete 40C Bp Fleet EU	1	PC	
30	6.303-315.0	Screw 8 x 35	4	PC	
40		Electric equipment B40 C Bp Dose	1	PC	OLD VERSION
40		Electric equipment B40 C BP Dose CAN	1	PC	NEW VERSION
42	6.373-877.0	Hose clip	1	PC	
50	5.035-450.0	Bearing bush electronics	2	PC	
51	5.035-433.0	Adapter	2	PC	
60	7.303-107.0	Screw 5x16 -10.9-P2R (K-In6Rd)	4	PC	
70		Axle complete	1	PC	
80		RM tin B40	1	PC	
100	6.472-007.3	Solenoid valve 24 V	1	PC	
160	6.390-892.0	Spiral hose NW12	1	m	
170	5.443-375.0	Hose stem	1	PC	
180	6.362-170.0	O-Ring seal 11,3 X 2,4-NBR 70	1	PC	
240	6.641-463.0	Cable tape	2	PC	
300	6.644-618.0	Pole binder	1	PC	
310	5.394-852.0	Covering cap battery terminal	1	PC	
9520	2.815-099.0	Battery kit Gel 2x 12V/76Ah	1	SET	
9521	2.815-100.0	Battery kit Gel 2x 12V/105Ah	1	SET	
9522	2.815-090.0	Battery kit AGM 2x 12V/80Ah	1	SET	
9523	2.638-036.0	Mounting kit battery kit	1	PC	
9530	2.815-091.0	Battery kit AGM 2x 12V/115Ah	1	SET	
9531	2.638-059.0	Mounting kit battery kit	1	PC	

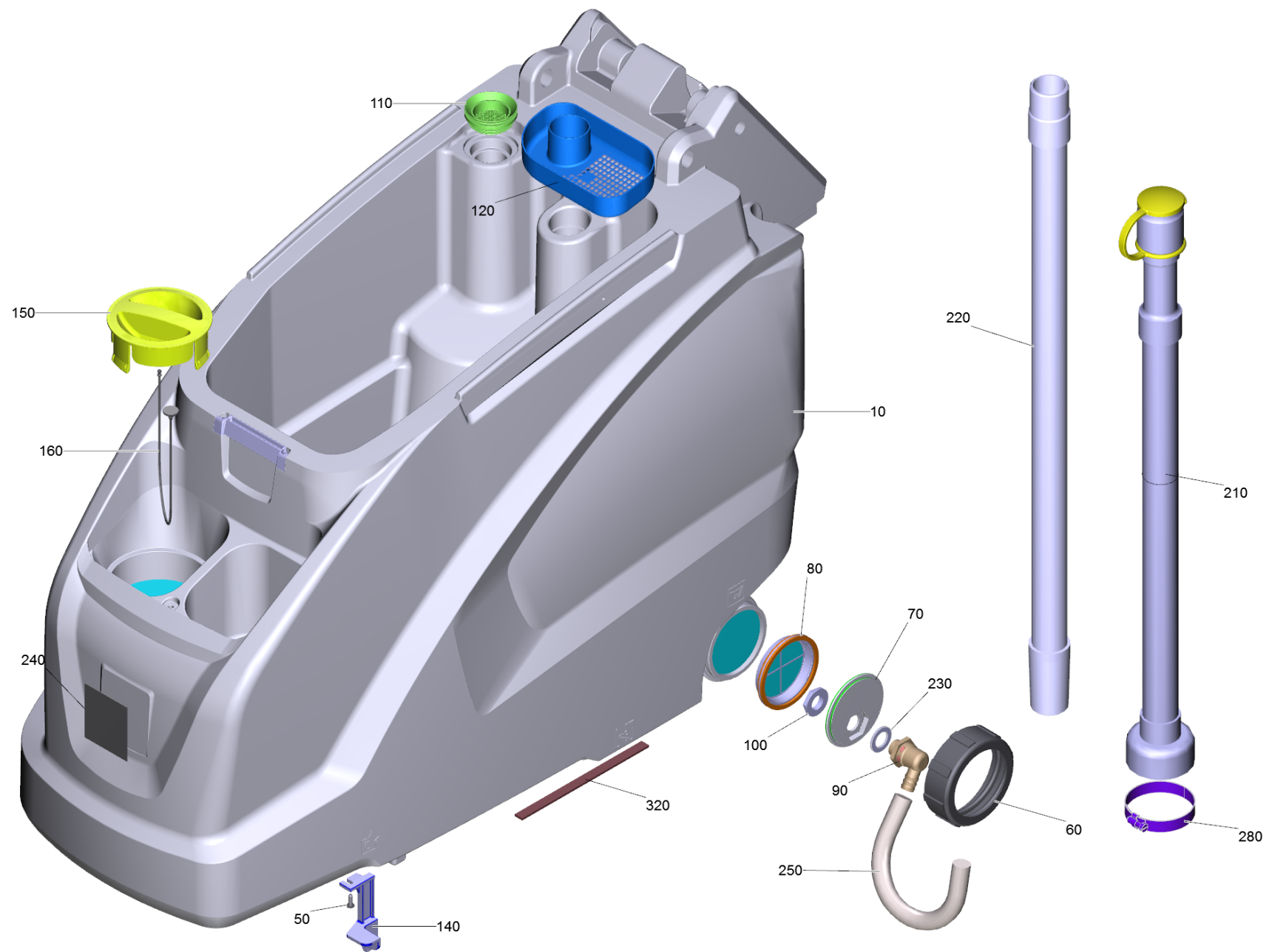


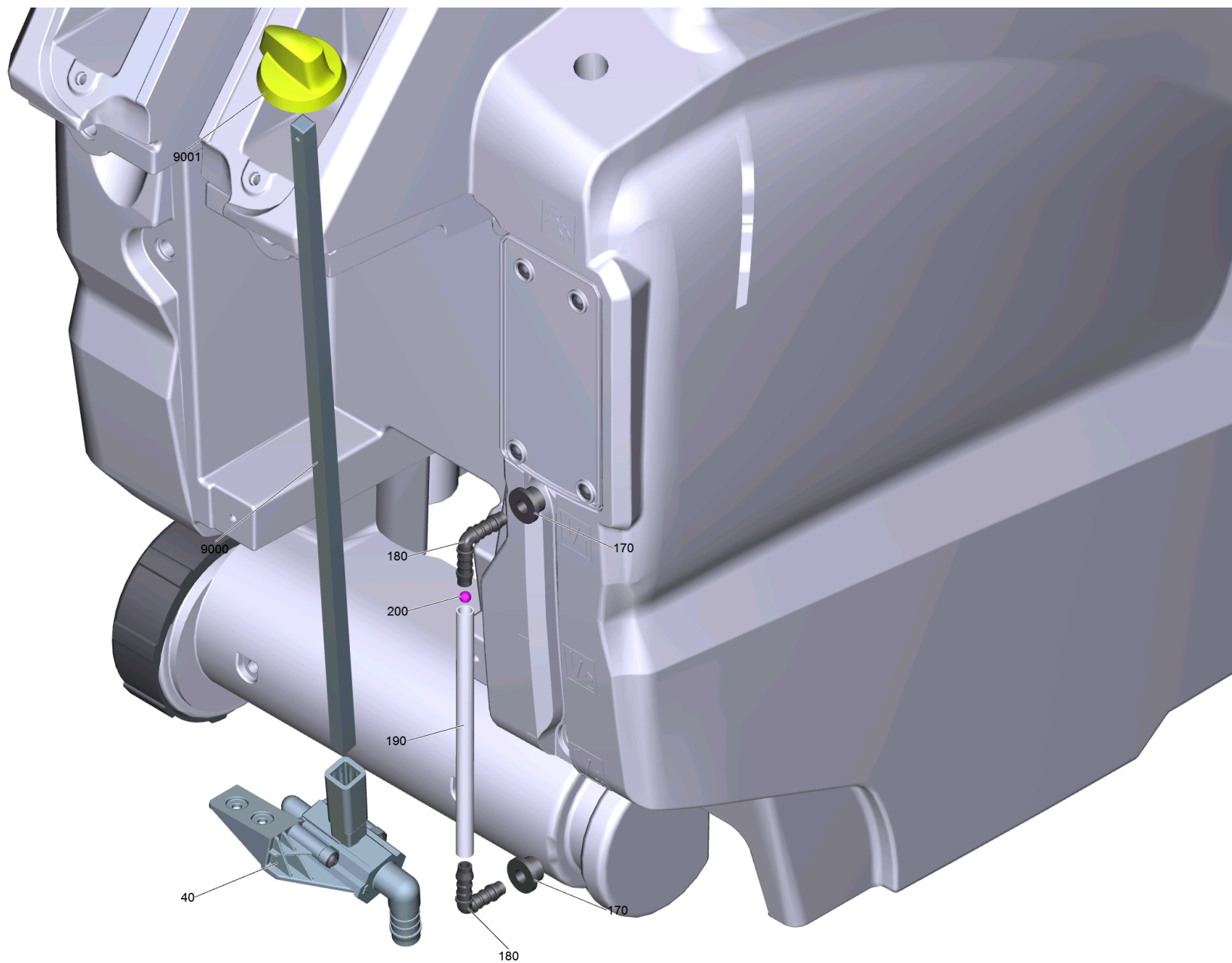


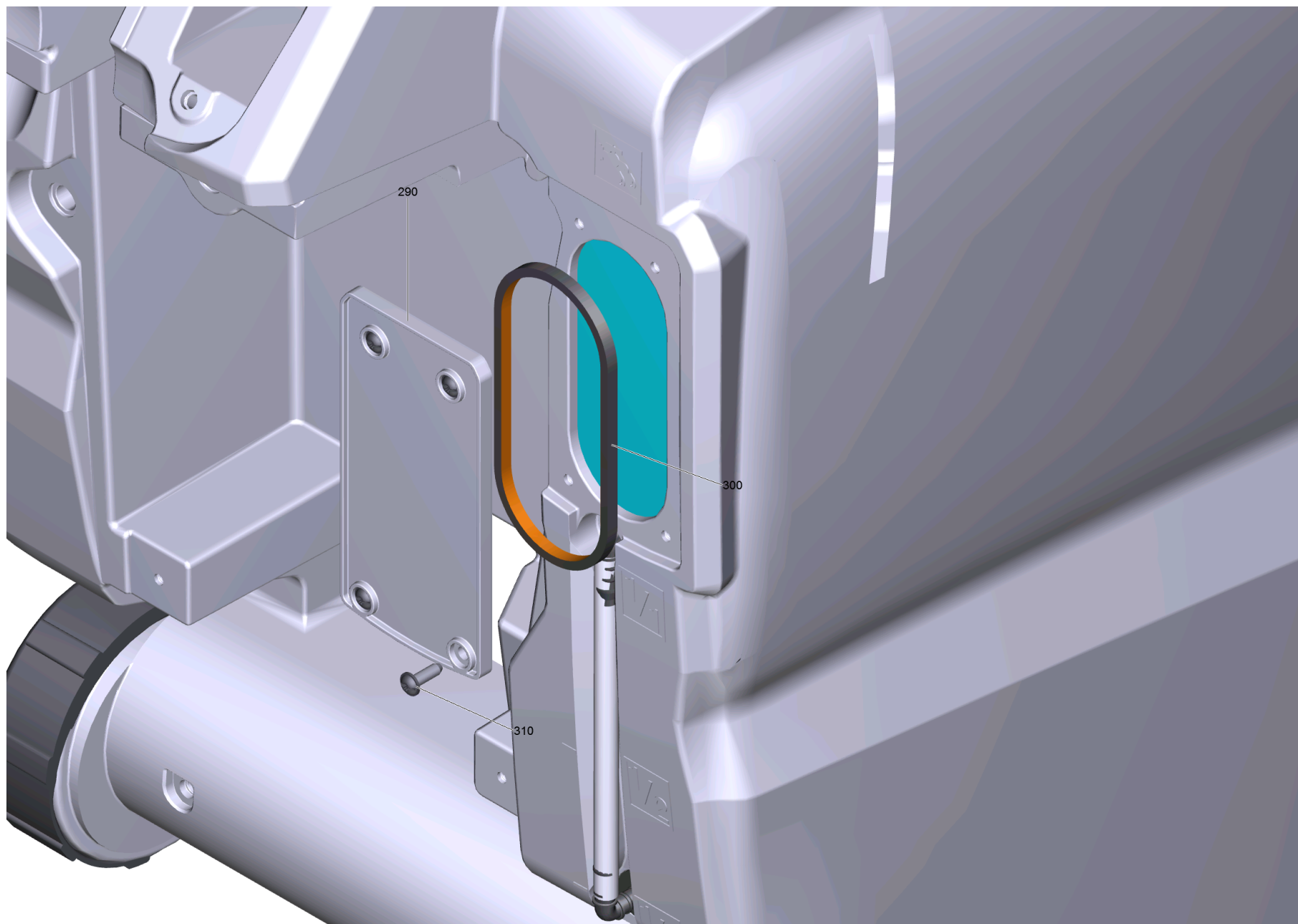


10 Basic machinery B40

POS	Article no.	Description	Quantity	Unit	Foot note text
10	4.035-335.0	Tank complete	1	PC	
20	5.035-350.0	Frame B40	1	PC	
30	6.435-011.3	Castor	2	PC	
40	6.303-315.0	Screw 8 x 35	8	PC	
50		Suspension brush-head complete	1	PC	
60	5.035-361.0	Sheet metal component	1	PC	
70	7.303-109.0	Screw 5x25 -10.9-R2R (In6Rd)	2	PC	
80		Covering cap rear complete	1	PC	
90		Suction bar lifting complete	1	PC	
100		Vacuum motor enclosure	1	PC	
110	7.303-107.0	Screw 5x16 -10.9-P2R (K-In6Rd)	13	PC	
120	5.035-334.0	Retaining bracket connecting rod	1	PC	
130	5.035-522.0	Sleeve	3	PC	
140	6.303-315.0	Screw 8 x 35	3	PC	
160	5.035-440.0	Wire spring	1	PC	
170	5.035-488.0	Adapter Homebase	1	PC	
180	6.980-077.0	Double hook	1	PC	
190	6.273-090.0	Sealing tape 13x3	1	m	TO ORDER AS CUT GOODS
200	5.035-726.0	Plate	1	PC	
210	7.303-107.0	Screw 5x16 -10.9-P2R (K-In6Rd)	1	PC	
220	6.641-465.0	Cable tape	1	PC	
260	6.647-081.0	Cable tape	1	PC	

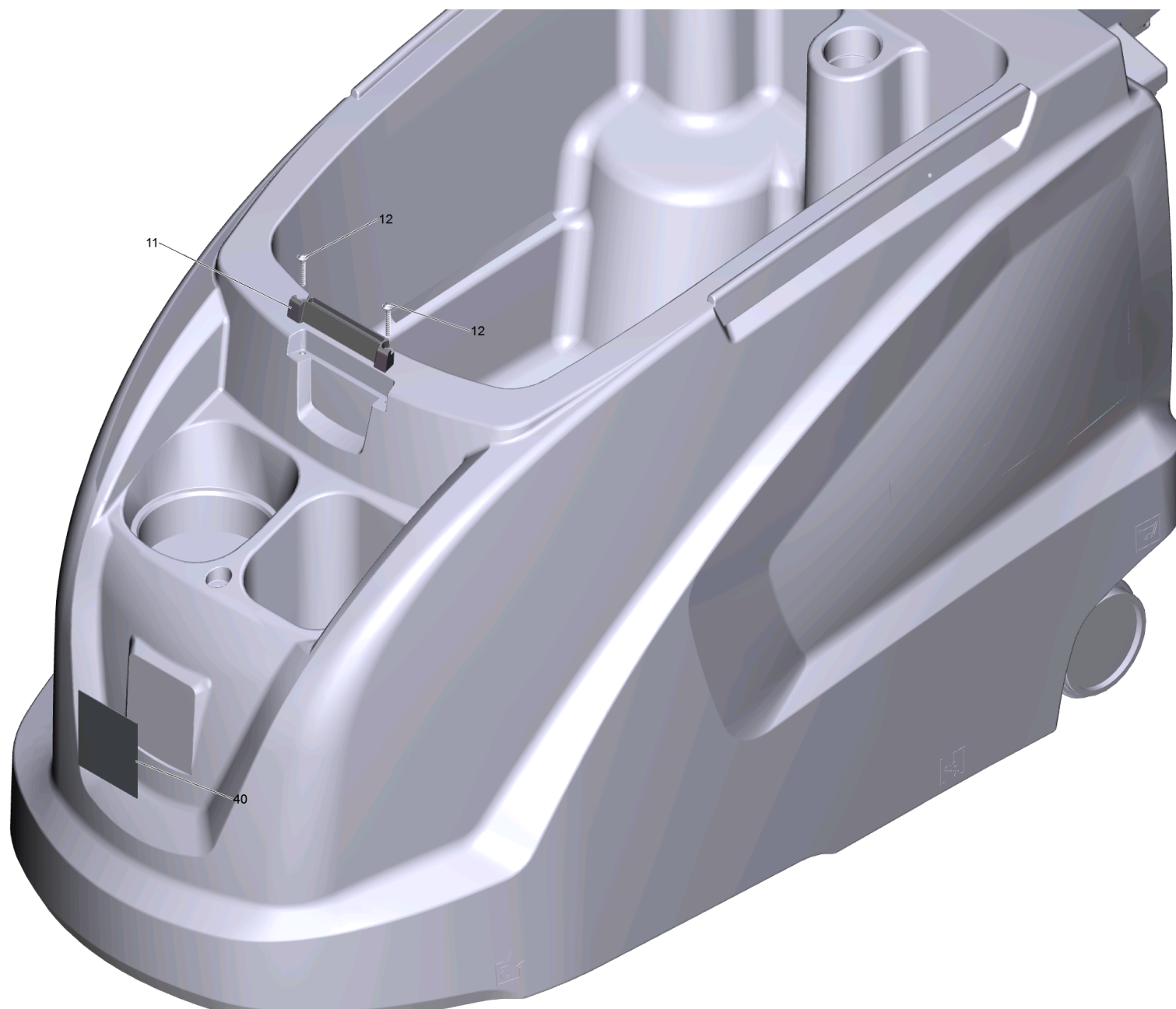






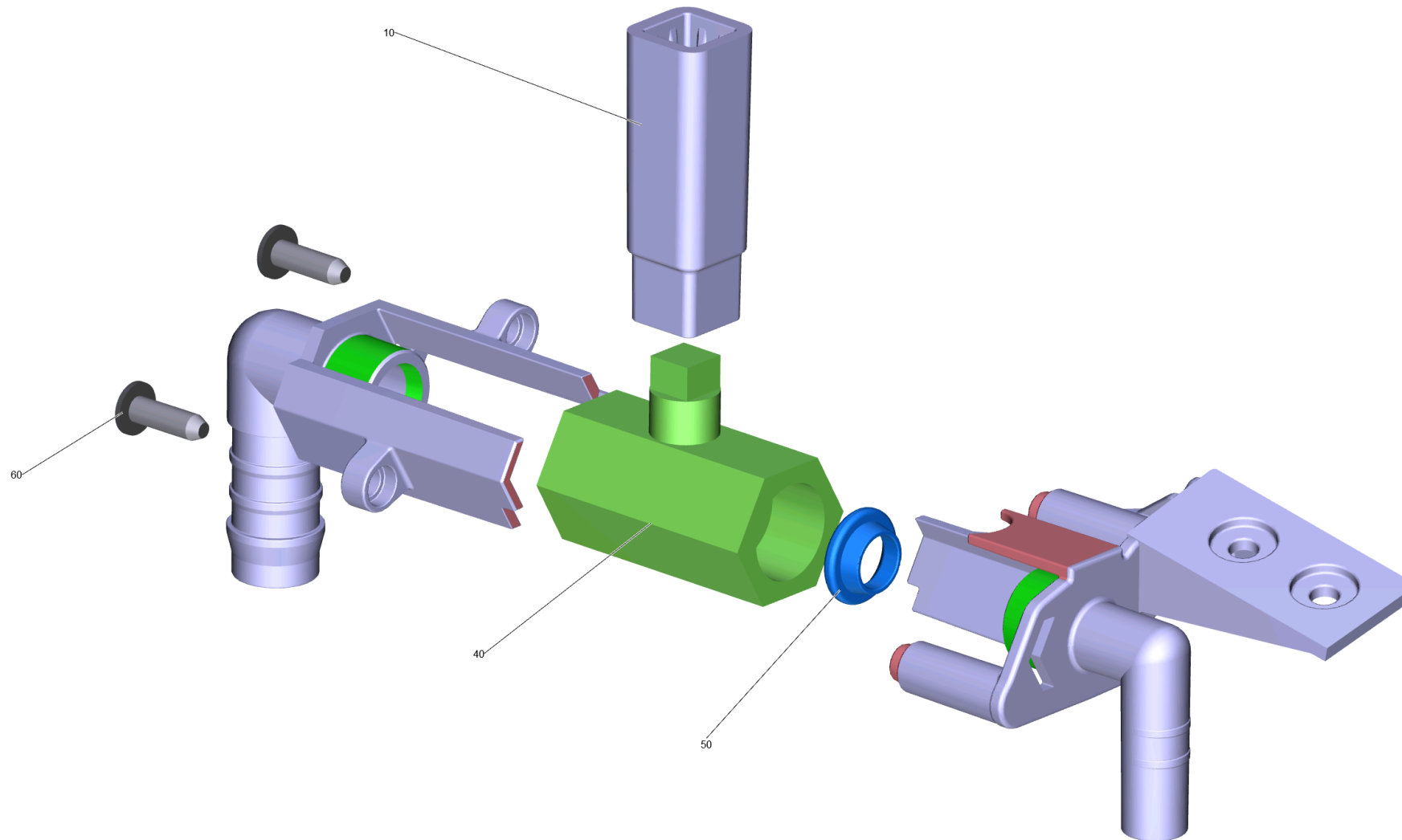
10 Tank complete (4.035-335.0)

POS	Article no.	Description	Quantity	Unit	Foot note text
10	4.035-429.0	Tank replacement B40	1	PC	
40	4.035-426.0	Ball valve complete replacement	1	PC	
50	7.303-107.0	Screw 5x16 -10.9-P2R (K-In6Rd)	3	PC	
60	5.035-341.0	Cover fresh water tank discharge	1	PC	
70	5.035-342.0	Hose connection fresh water discharge	1	PC	
80	5.035-376.0	Filter discharge	1	PC	
90	6.395-163.3	Angle bushing G1-2	1	PC	
100	6.310-004.0	Hexagon nut G 1/2"	1	PC	
110	5.515-266.0	Joint ring fluffing strainer	1	PC	
120	5.036-932.0	Tank bulk waste yellow	1	PC	
140	5.035-435.0	Tank locking part	1	PC	
150	5.034-099.0	Cover fresh water metering RM	1	PC	
160	5.035-358.0	Mounting rope cover fresh water tank	1	PC	
170	5.035-608.0	Wire protecting sleeve	2	PC	
180	6.391-913.0	Elbow nipple	2	PC	
190	5.035-328.0	Silicon hose level indicator	1	PC	
200	6.035-072.0	Sphere level indicator D6	1	PC	
210	4.035-285.0	Drain hose with cover PU	1	PC	OIL RESISTANT
220	6.392-471.0	Suction hose PU DN32	1	PC	
230	5.515-253.0	Seal D34	1	PC	
240	5.394-081.0	Label signet gel 78x86	1	PC	
250	6.390-324.0	Hose DN16	1	m	TO ORDER AS CUT GOODS
280	6.388-767.0	Hose clip 70- 90	1	PC	
290	4.035-370.0	Screen filling system	1	PC	
300	5.035-418.0	Seal fixing plate	1	PC	
310	7.303-107.0	Screw 5x16 -10.9-P2R (K-In6Rd)	4	PC	
320	6.273-043.0	Sealing tape cellularrubber 9x4	1	m	TO ORDER AS CUT GOODS
9000	5.035-369.0	Bar	1	PC	
9001	5.035-404.0	Handle	1	PC	



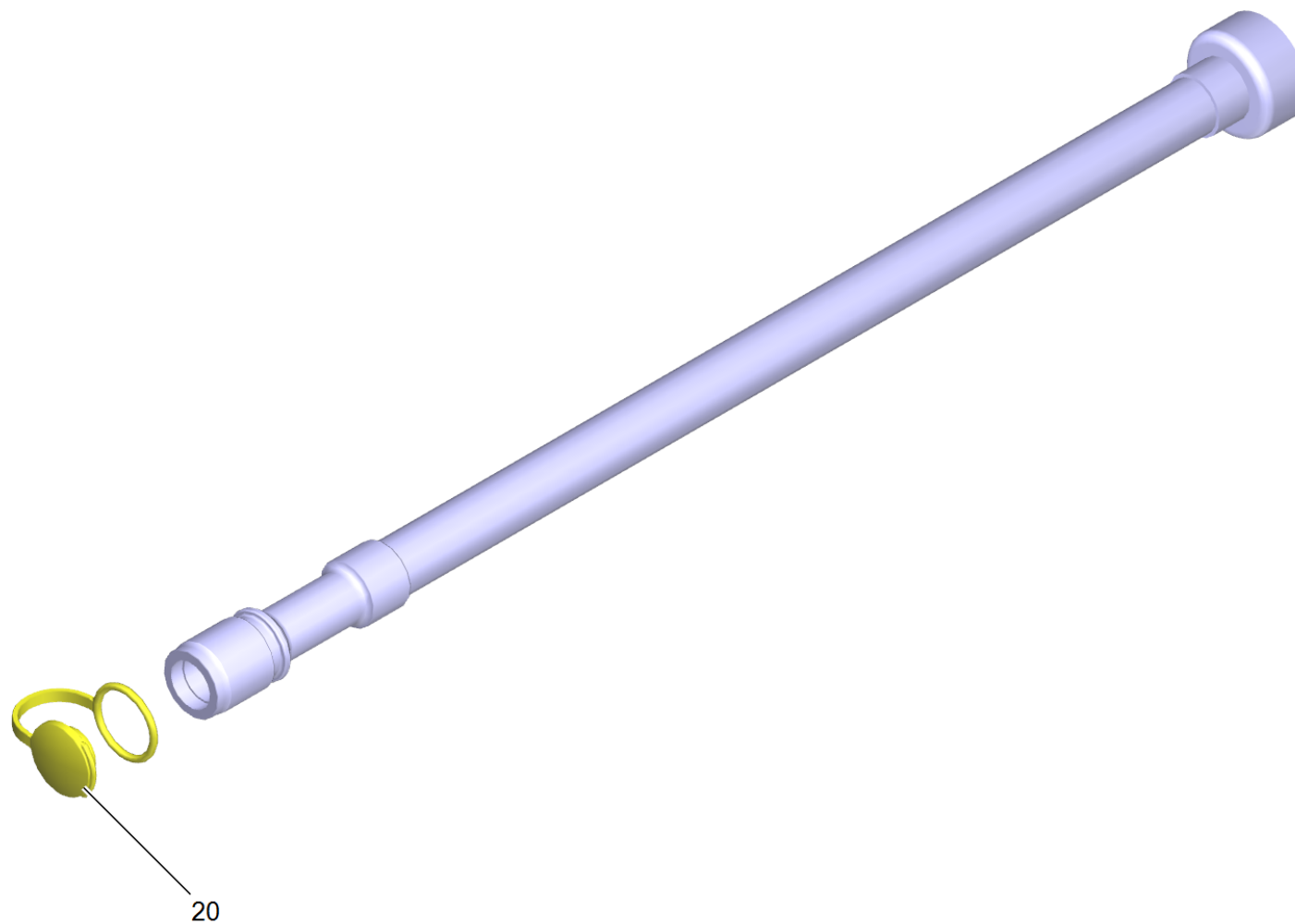
10 Tank replacement B40 (4.035-429.0)

POS	Article no.	Description	Quantity	Unit
11	5.035-482.0	Add-on part tank cover	1	PC
12	7.303-086.0	Screw 5x30 -10.9-R2R (K-In6Rd)	2	PC
40	5.394-081.0	Label signet gel 78x86	1	PC



40 Ball valve complete replacement (4.035-426.0)

POS	Article no.	Description	Quantity	Unit
10	5.035-459.0	Coupler piece ball valve	1	PC
40	6.413-586.0	Ball valve without handhold	1	PC
50	5.035-770.0	Seal ball valve	2	PC
60	7.303-107.0	Screw 5x16 -10.9-P2R (K-In6Rd)	2	PC

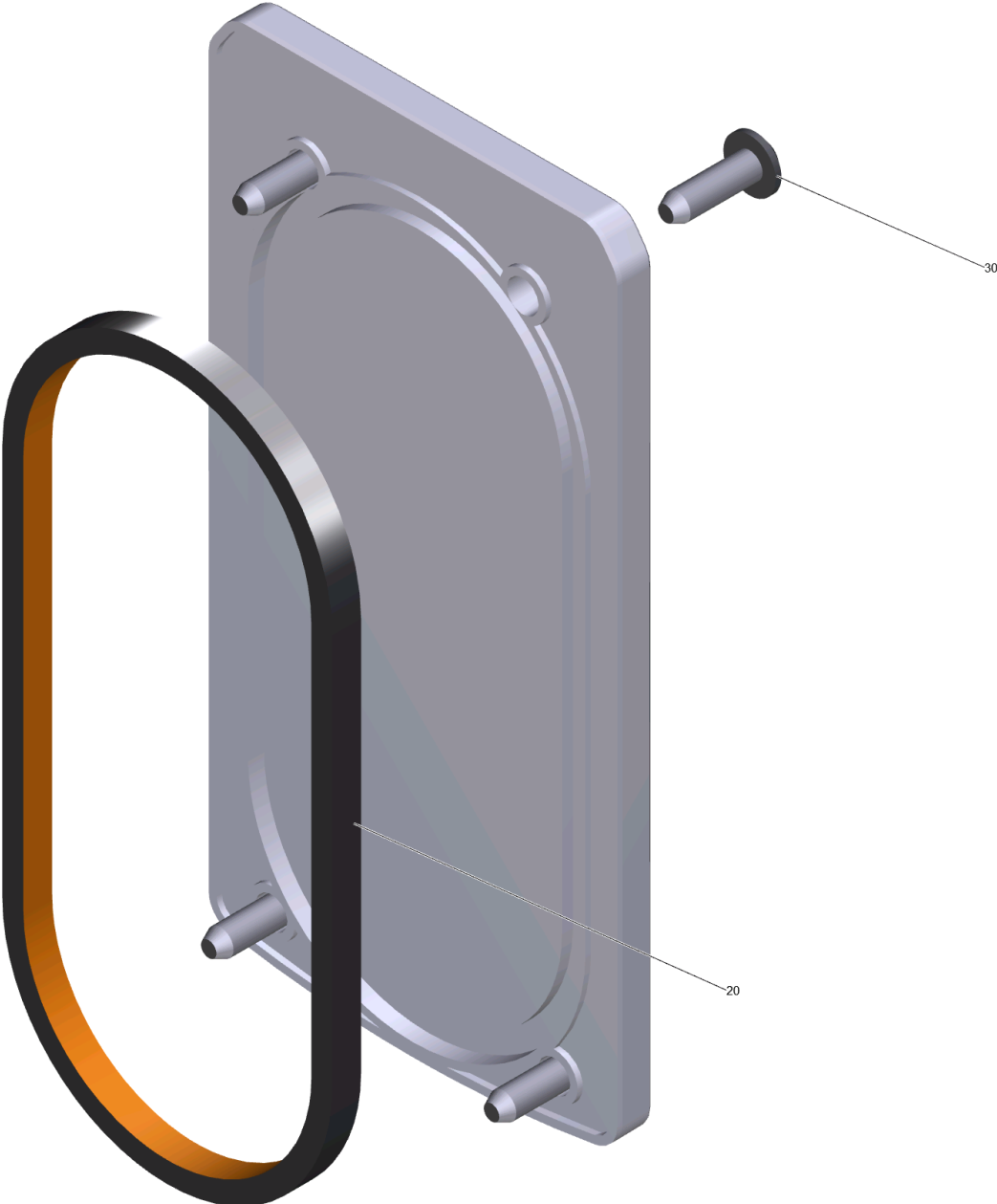


210 Drain hose with cover PU (4.035-285.0)

POS	Article no.	Description	Quantity	Unit
20	5.036-249.0	Cover plate drain hose yellow PU	1	PC

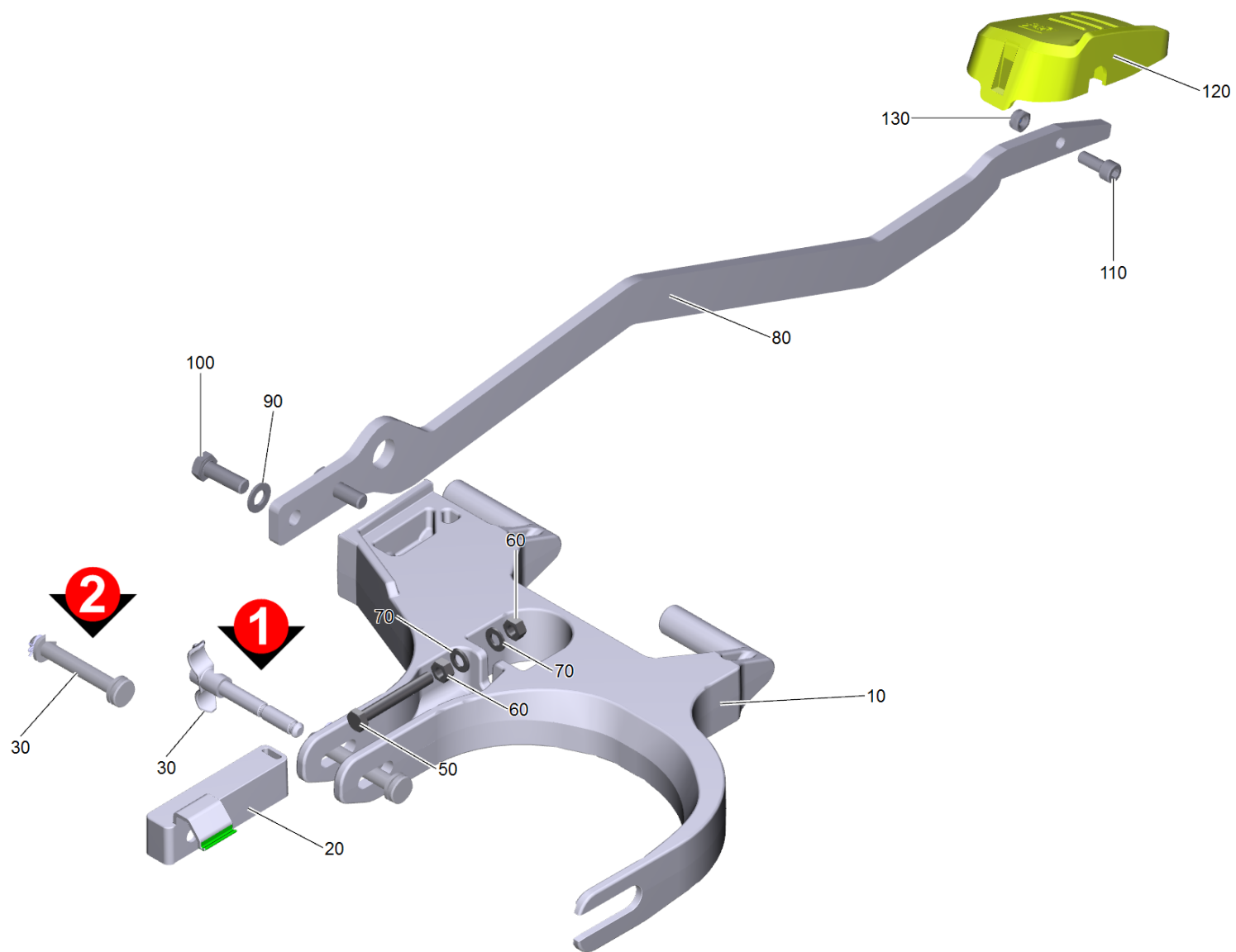
290 Screen filling system (4.035-370.0)

POS	Article no.	Description	Quantity	Unit
10	4.035-370.7	Screen filling system	1	PC



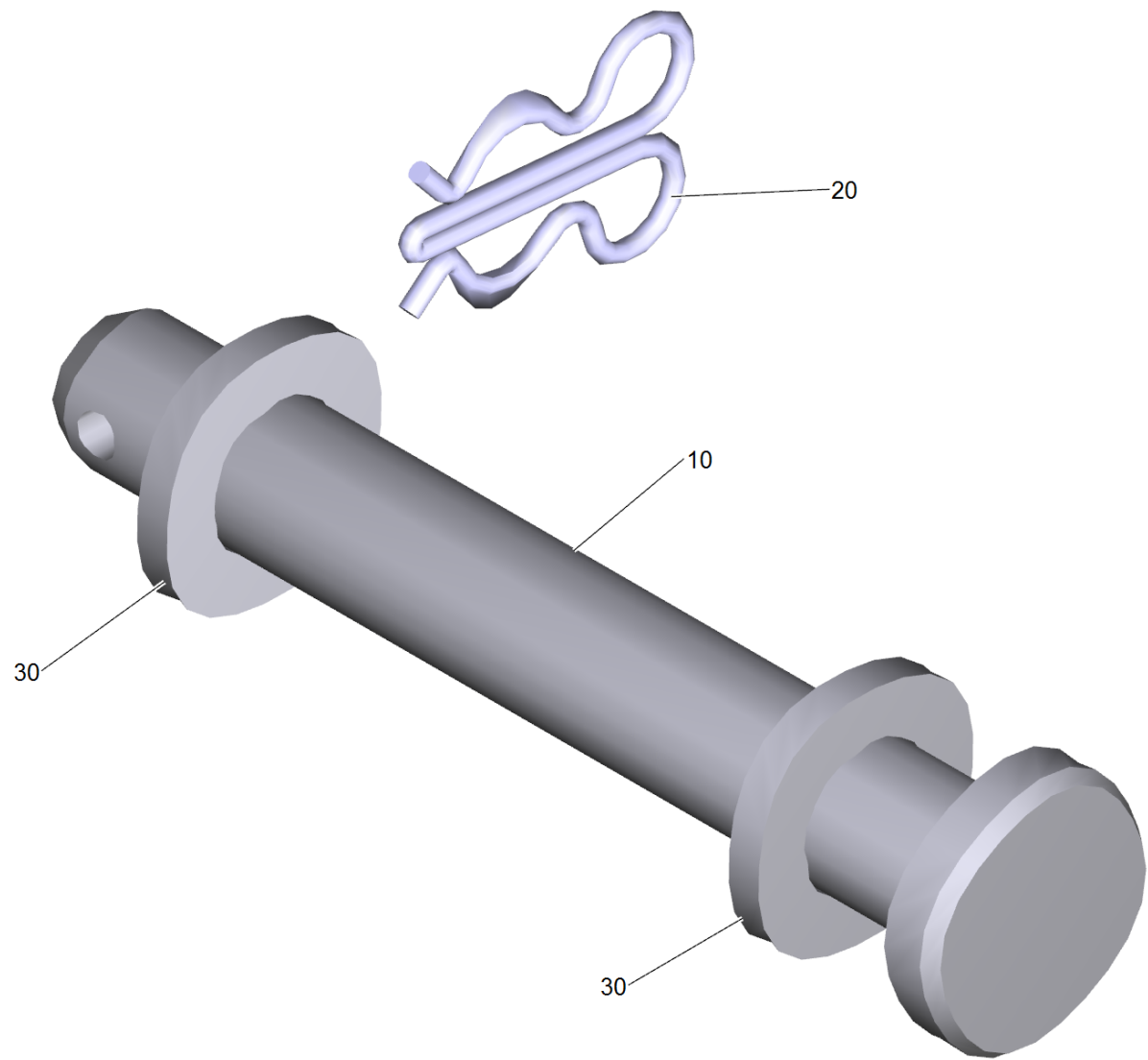
10 Screen filling system (4.035-370.7)

POS	Article no.	Description	Quantity	Unit
20	5.035-418.0	Seal fixing plate	1	PC
30	7.303-107.0	Screw 5x16 -10.9-P2R (K-In6Rd)	4	PC



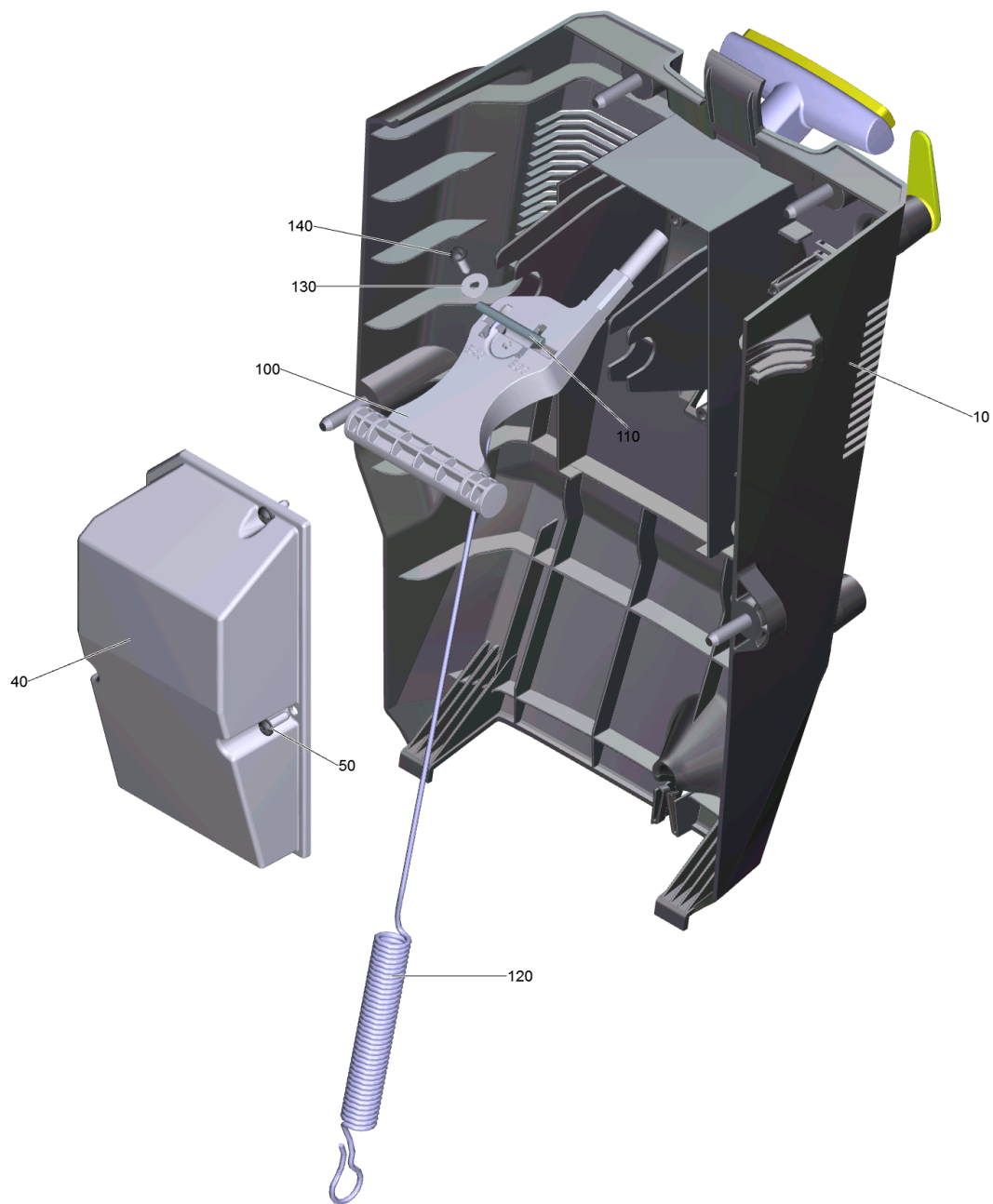
50 Suspension brush-head complete

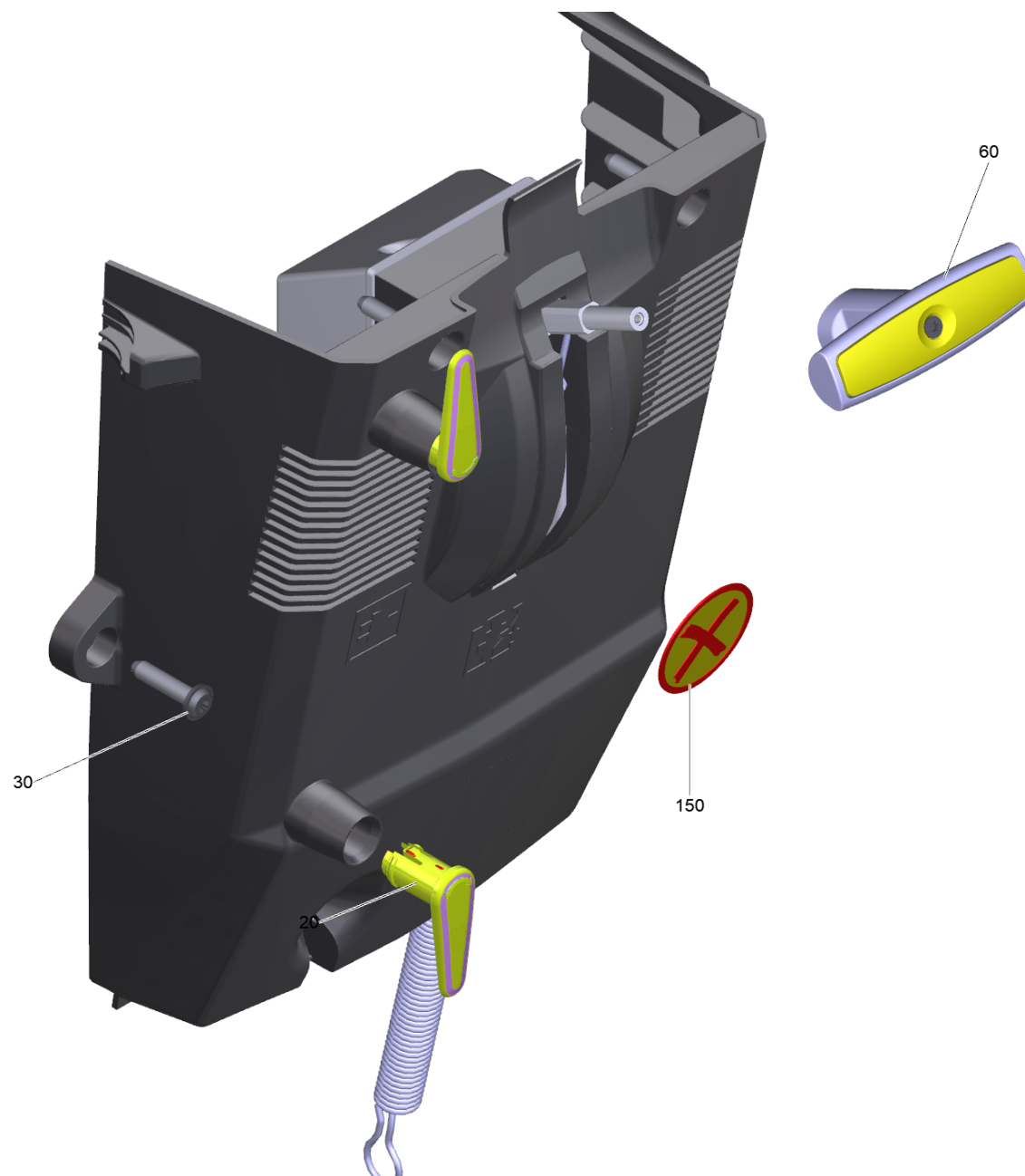
POS	Article no.	Description	Quantity	Unit	Foot note text
10	5.035-675.0	Suspension brush-head triple	1	PC	
20	5.035-377.0	Adjusting element brush-head	1	PC	
30	4.035-584.0	Bolt complete	1	PC	VERSION 2
30	5.035-865.0	Handhold bolt brush-head	1	PC	VERSION 1
50	7.304-262.0	Hexagonal head screw M8x60-A4-70 ISO 40	1	PC	
60	7.311-068.0	Hexagon nut M 8-A2-70 ISO 4032	2	PC	
70	7.312-004.0	Washer 8 -200HV-A3E ISO 7089	2	PC	
80	5.035-370.0	Lever plate brush-head	1	PC	
90	7.312-005.0	Washer 10-200HV-A3E ISO 7089	2	PC	
100	7.304-417.0	Hexagonal head screw M10x30-8.8-A3E ISO	2	PC	
110	7.306-041.0	Cylinder head screw M8x20 -8.8-A2E ISO	1	PC	
120	5.035-374.0	Pedal brush-head	1	PC	
130	7.311-432.0	Hexagon nut M 8-1.4305 DIN 985	1	PC	



30 Bolt complete (4.035-584.0)

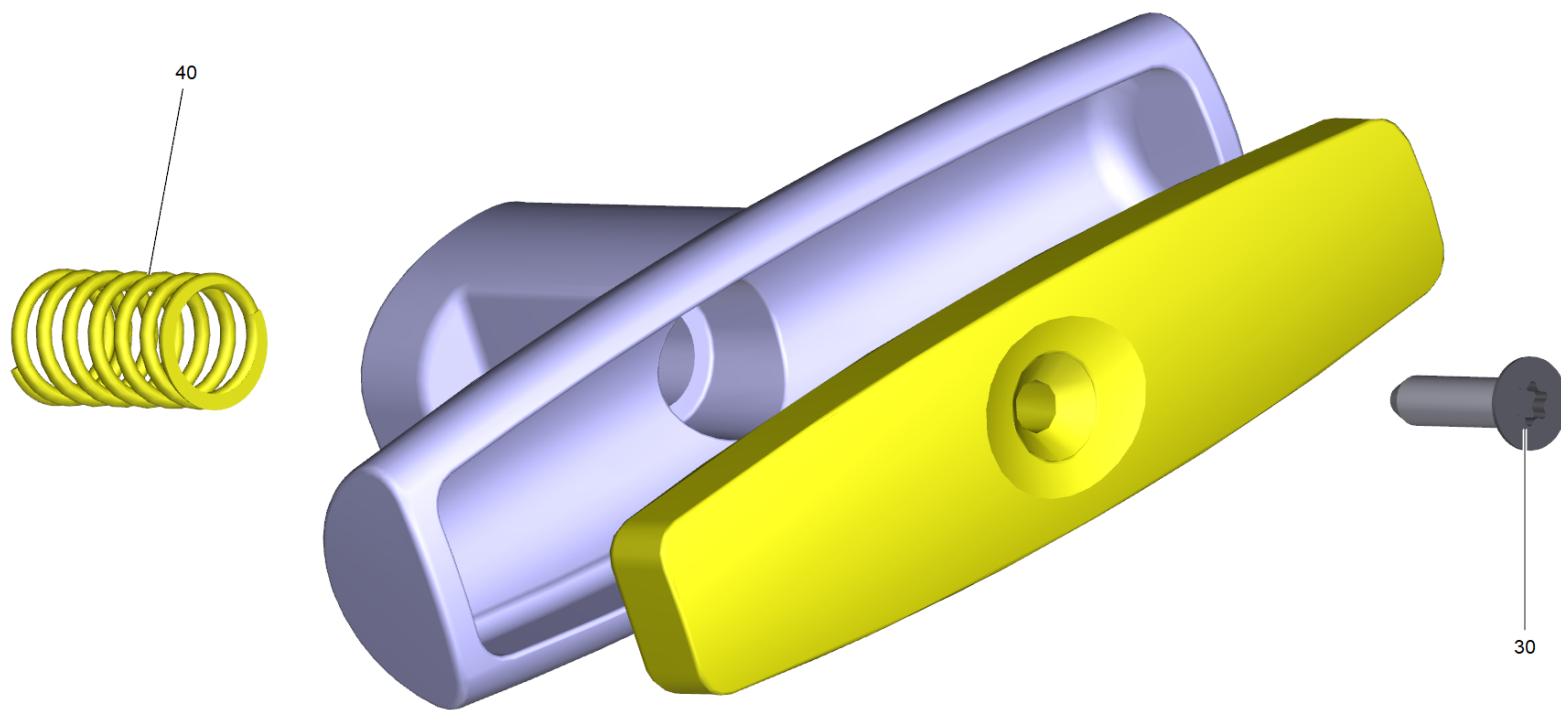
POS	Article no.	Description	Quantity	Unit
10	7.316-045.0	Bolt B 10x75 -St-A2E ISO 2341	1	PC
20	6.035-047.0	Spring clip double	1	PC
30	7.312-153.0	Washer 10 -160HV-A3E EN28738	2	PC





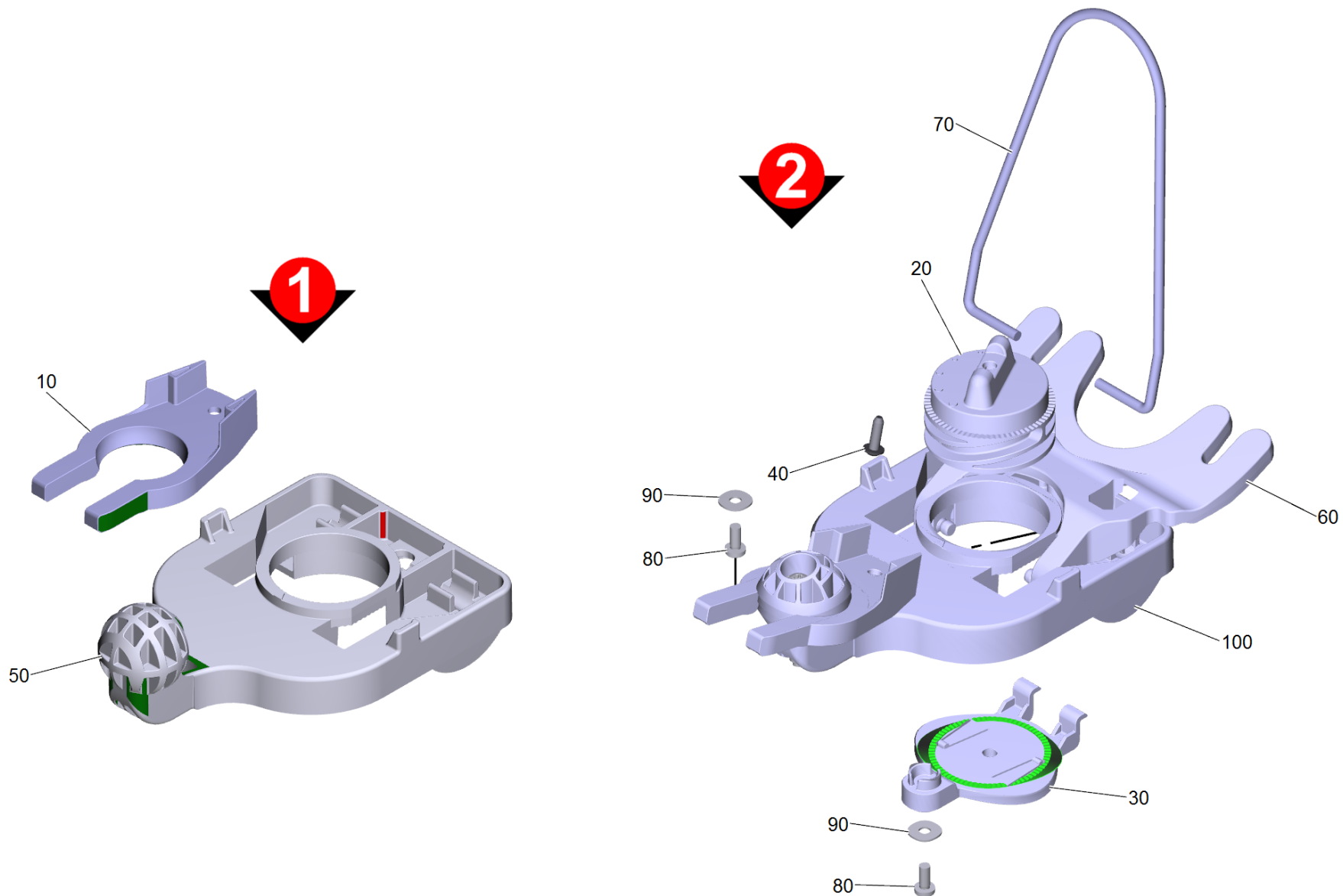
80 Covering cap rear complete

POS	Article no.	Description	Quantity	Unit
10	5.035-366.0	Covering cap	1	PC
20	5.044-661.0	Catch for cable yellow	2	PC
30	6.303-315.0	Screw 8 x 35	4	PC
40	5.035-446.0	Cover covering cap rear	1	PC
50	7.303-107.0	Screw 5x16 -10.9-P2R (K-In6Rd)	3	PC
60	4.035-612.0	Set handhold adjustment	1	PC
100	5.035-445.0	Lever suction bar	1	PC
110	5.035-453.0	Axle lever suction bar	1	PC
120	5.035-423.0	Extension spring	1	PC
130	7.312-282.0	Washer 5 -A2 ISO 7093-1	1	PC
140	7.303-107.0	Screw 5x16 -10.9-P2R (K-In6Rd)	1	PC
150	5.380-889.0	Warning sign BR-BD 750	1	PC



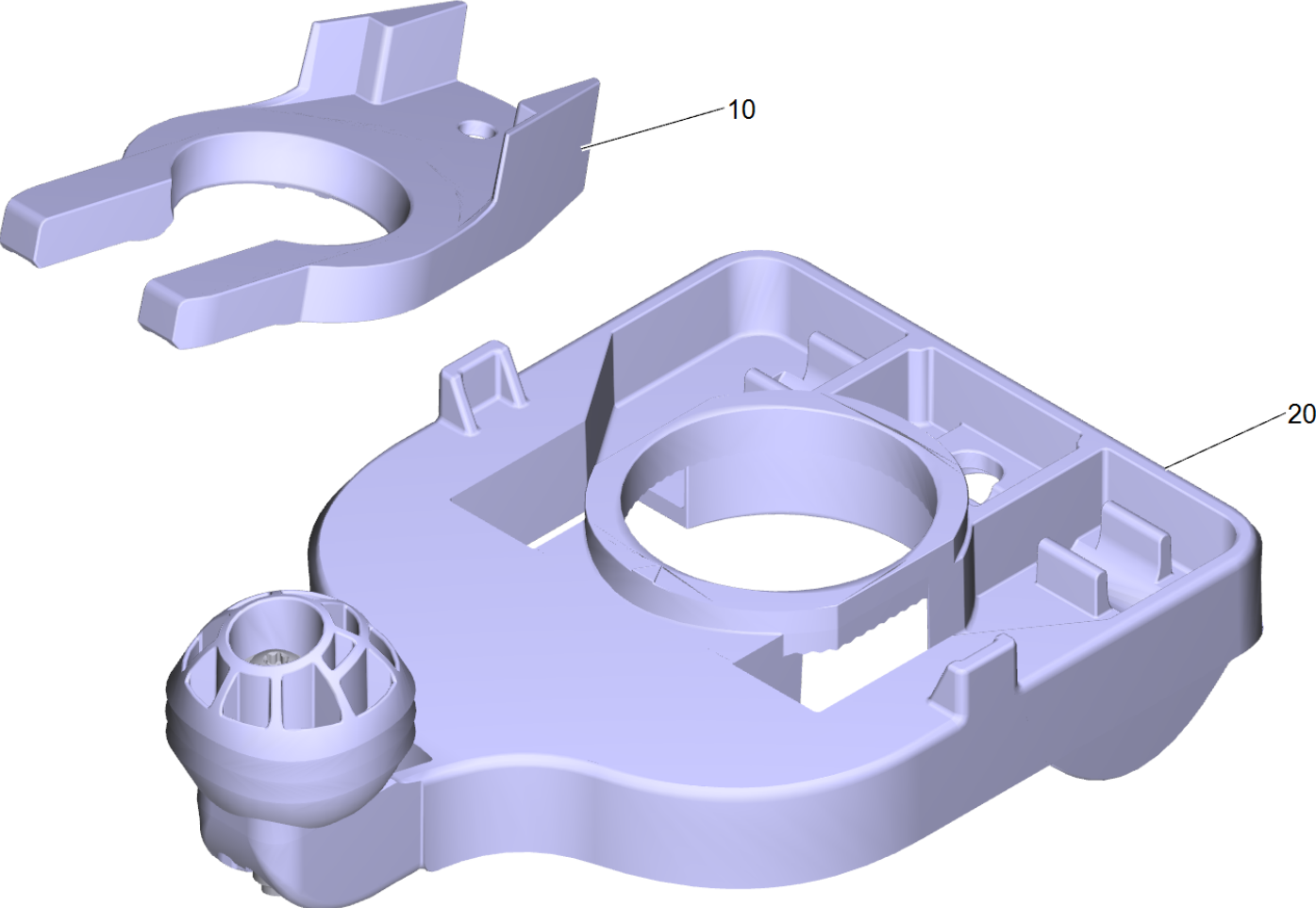
60 Set handhold adjustment (4.035-612.0)

POS	Article no.	Description	Quantity	Unit
30	7.303-128.0	Countersunk screw 5x20 -10.9-R2R (In6Rd)	1	PC
40	5.332-481.0	Helical spring	1	PC



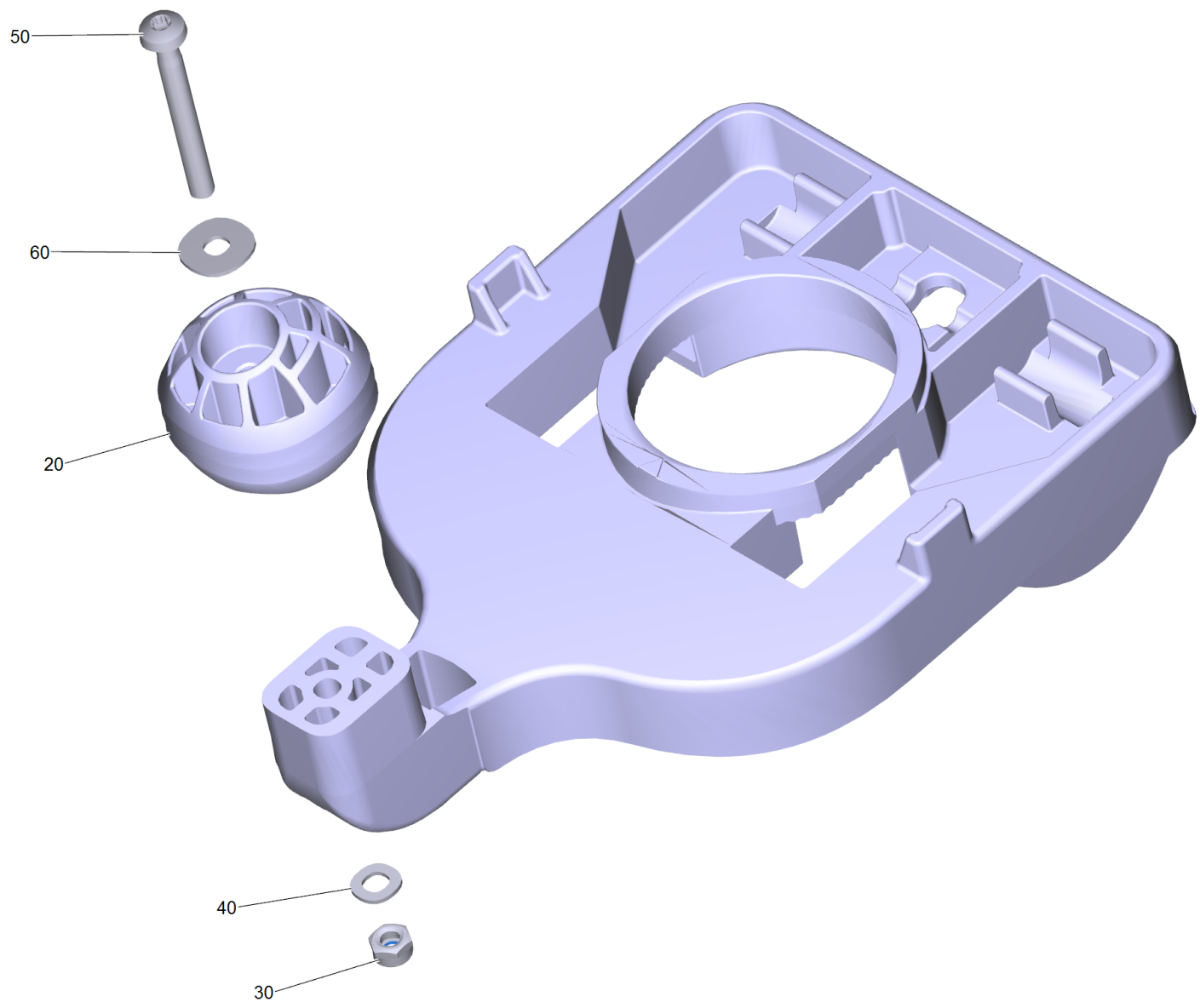
90 Suction bar lifting complete

POS	Article no.	Description	Quantity	Unit	Foot note text
10	7.777-999.0	Stockpiling discontinued	1	PC	VERSION 1
20	5.035-292.0	Adjusting knob suction bar toothing	1	PC	
30	5.035-293.0	Covering cap suction bar toothing	1	PC	
40	7.303-109.0	Screw 5x25 -10.9-R2R (In6Rd)	1	PC	
50	7.777-999.0	Stockpiling discontinued	1	PC	VERSION 1
60	5.036-103.0	Rocker suction bar	1	PC	
70	5.035-382.0	Retaining bracket suction bar	1	PC	
80	6.306-003.0	Screw M5X12-A2/70-ISO 14583 (IN6RD)	2	PC	with microencapsulation
90	7.312-282.0	Washer 5 -A2 ISO 7093-1	2	PC	
100	4.035-583.0	Holder suction bar complete	1	PC	VERSION 2



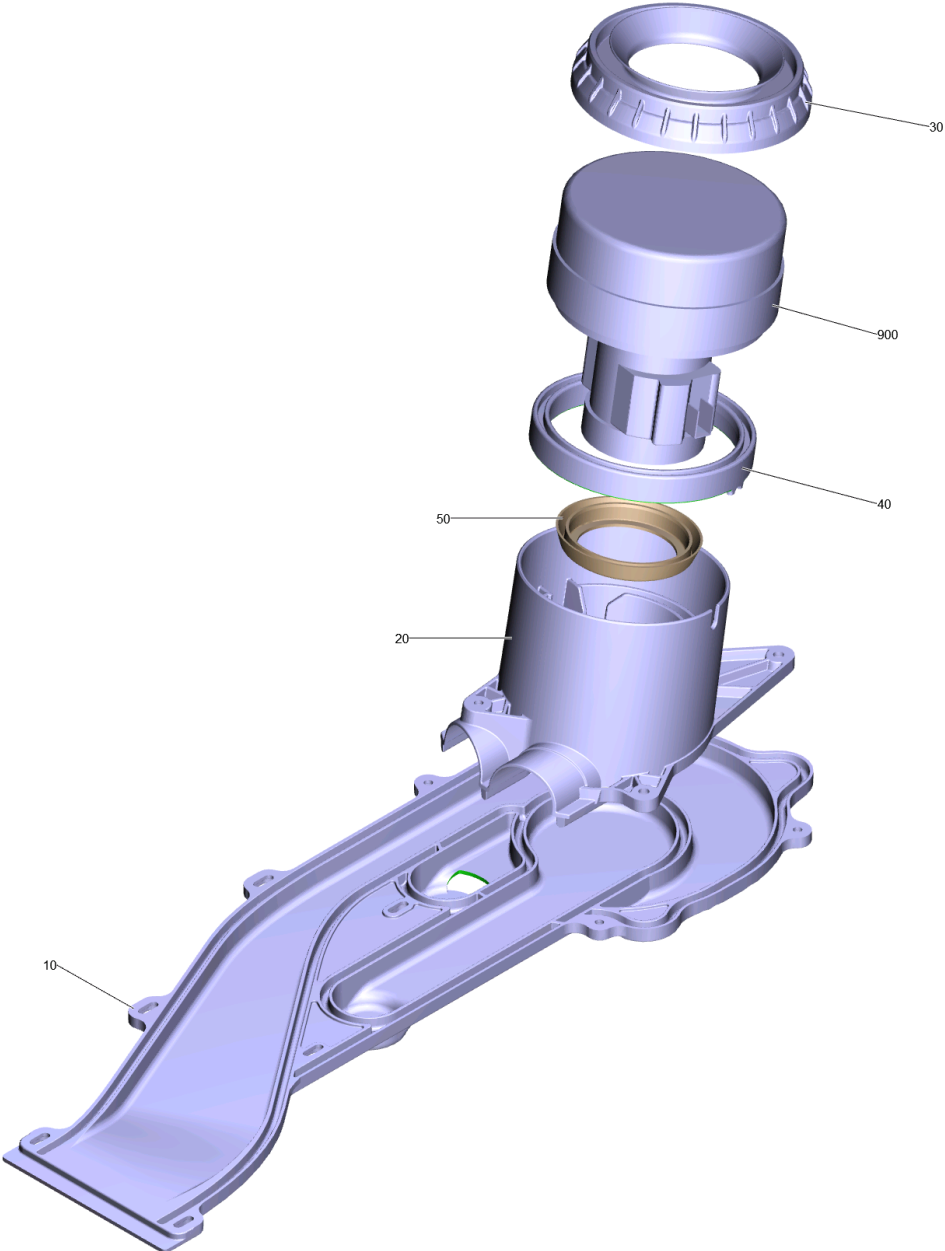
100 Holder suction bar complete (4.035-583.0)

POS	Article no.	Description	Quantity	Unit
10	5.005-005.0	FIXING PLATE SUCTION BAR ALU	1	PC
20	4.037-137.3	Holder suction bar	1	PC



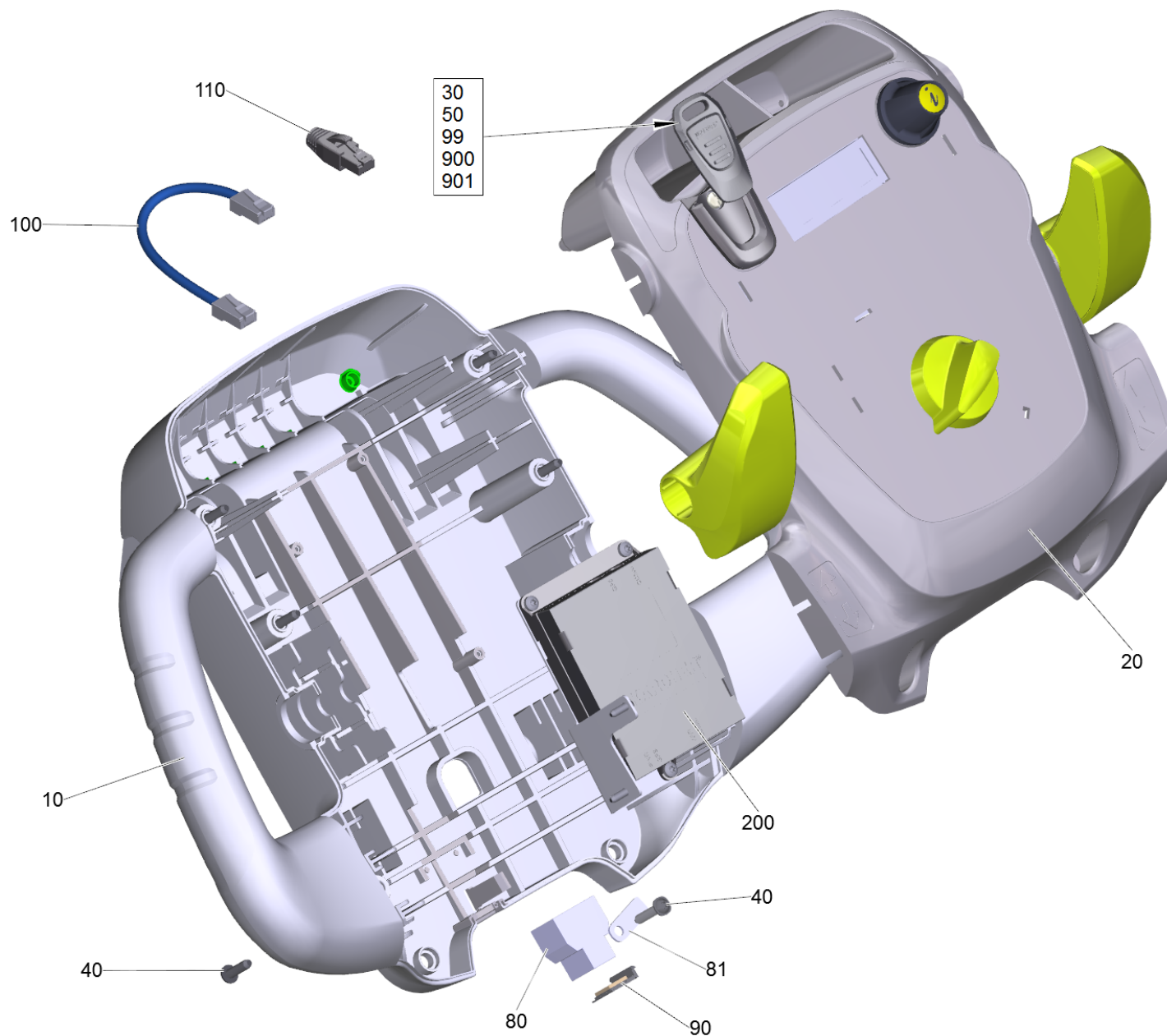
20 Holder suction bar (4.037-137.3)

POS	Article no.	Description	Quantity	Unit
20	5.037-579.0	Sphere suction bar suspension	1	PC
30	7.311-431.0	Hexagon nut M 5-1.4305 DIN 985	1	PC
40	7.312-052.0	Washer 5 -A2 ISO 7089	1	PC
50	7.306-215.0	Screw M5x45 -8.8-P2R (In6Rd)	1	PC
60	7.312-282.0	Washer 5 -A2 ISO 7093-1	1	PC

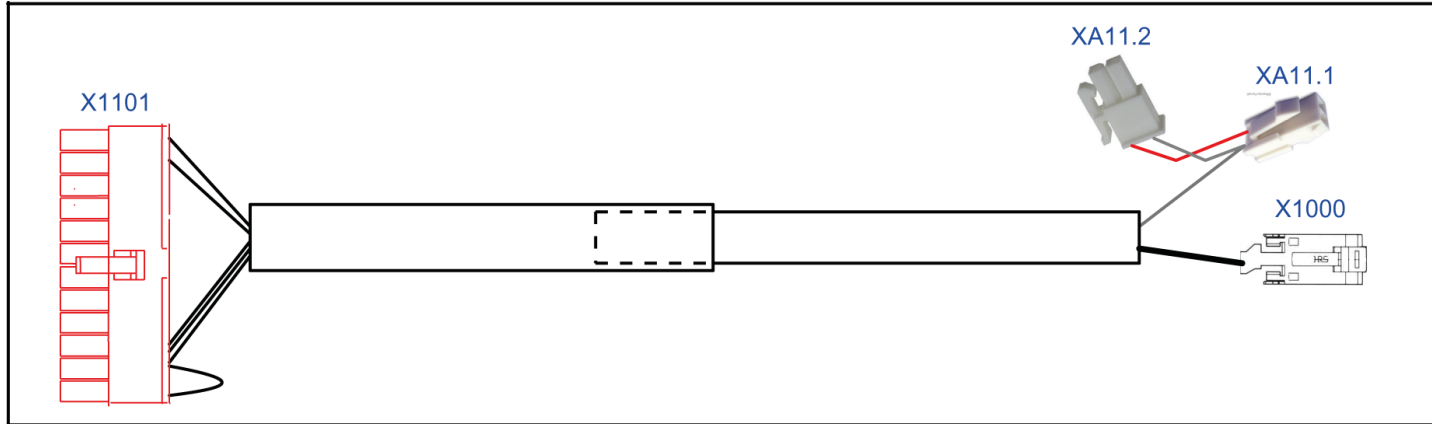


100 Vacuum motor enclosure

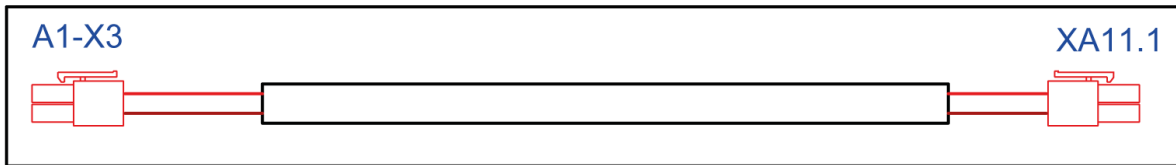
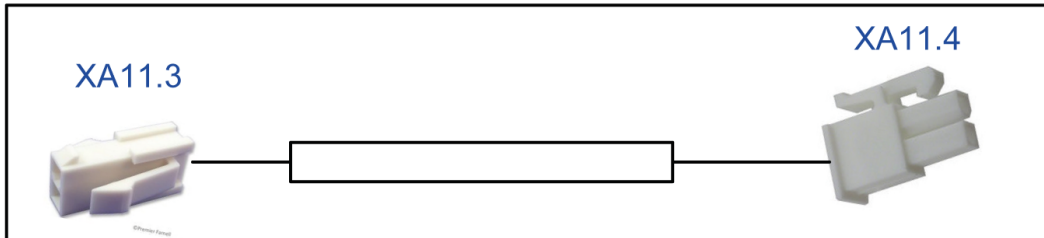
POS	Article no.	Description	Quantity	Unit
10	5.034-034.0	Air circulation turbine above foamed	1	PC
20	5.034-032.0	Air circulation turbine bottom	1	PC
30	5.035-333.0	Bearing vacuum motor	1	PC
40	5.035-332.0	Joint ring turbine	1	PC
50	5.363-395.0	Seal	1	PC
900	4.035-580.0	Vacuum motor replacement	1	PC
910	4.034-009.0	Air circulation turbine replacement	1	PC



Übersicht TCU-Kabel B40W-120W / Overview TCU-Cable B40W-120W

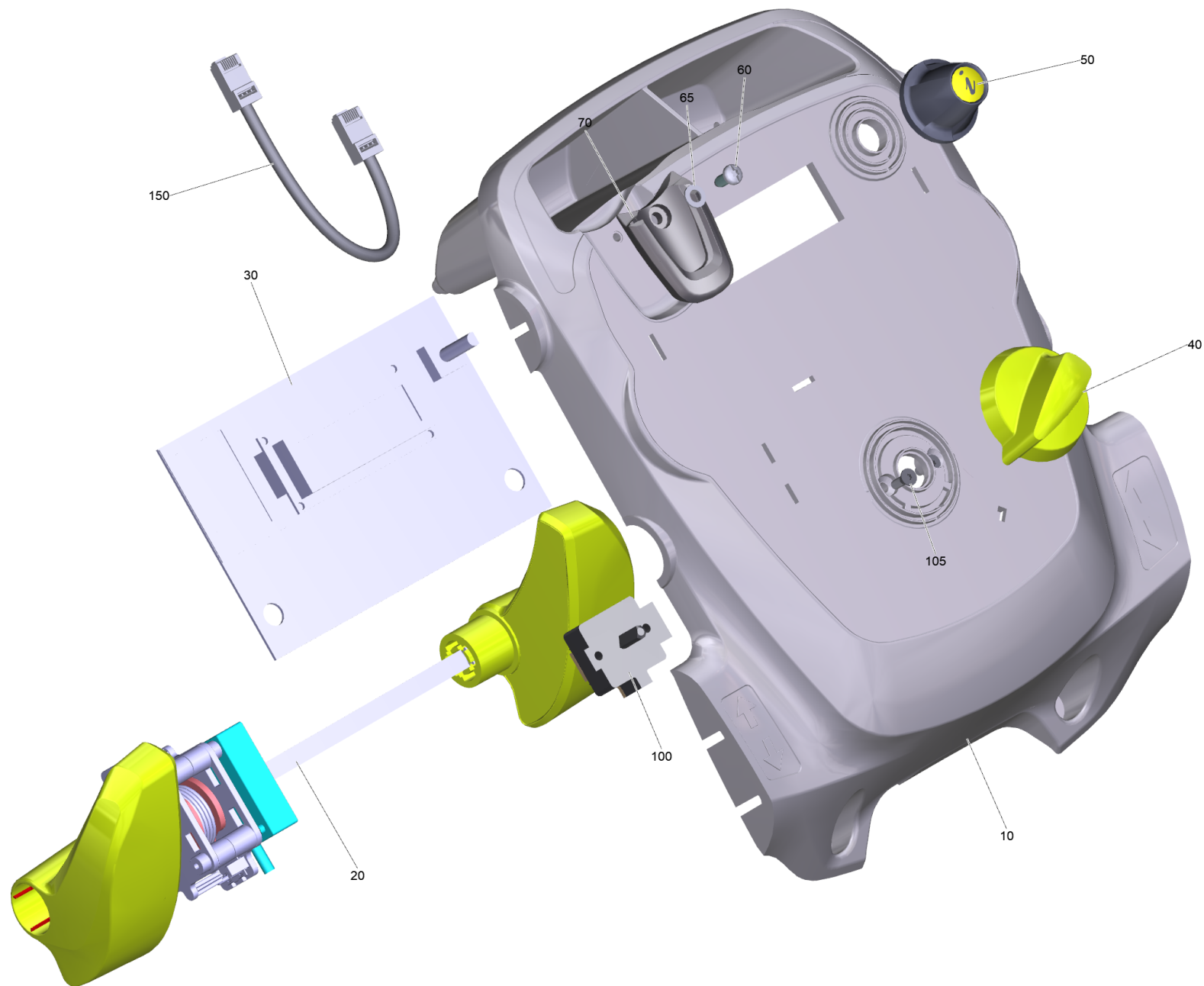


60



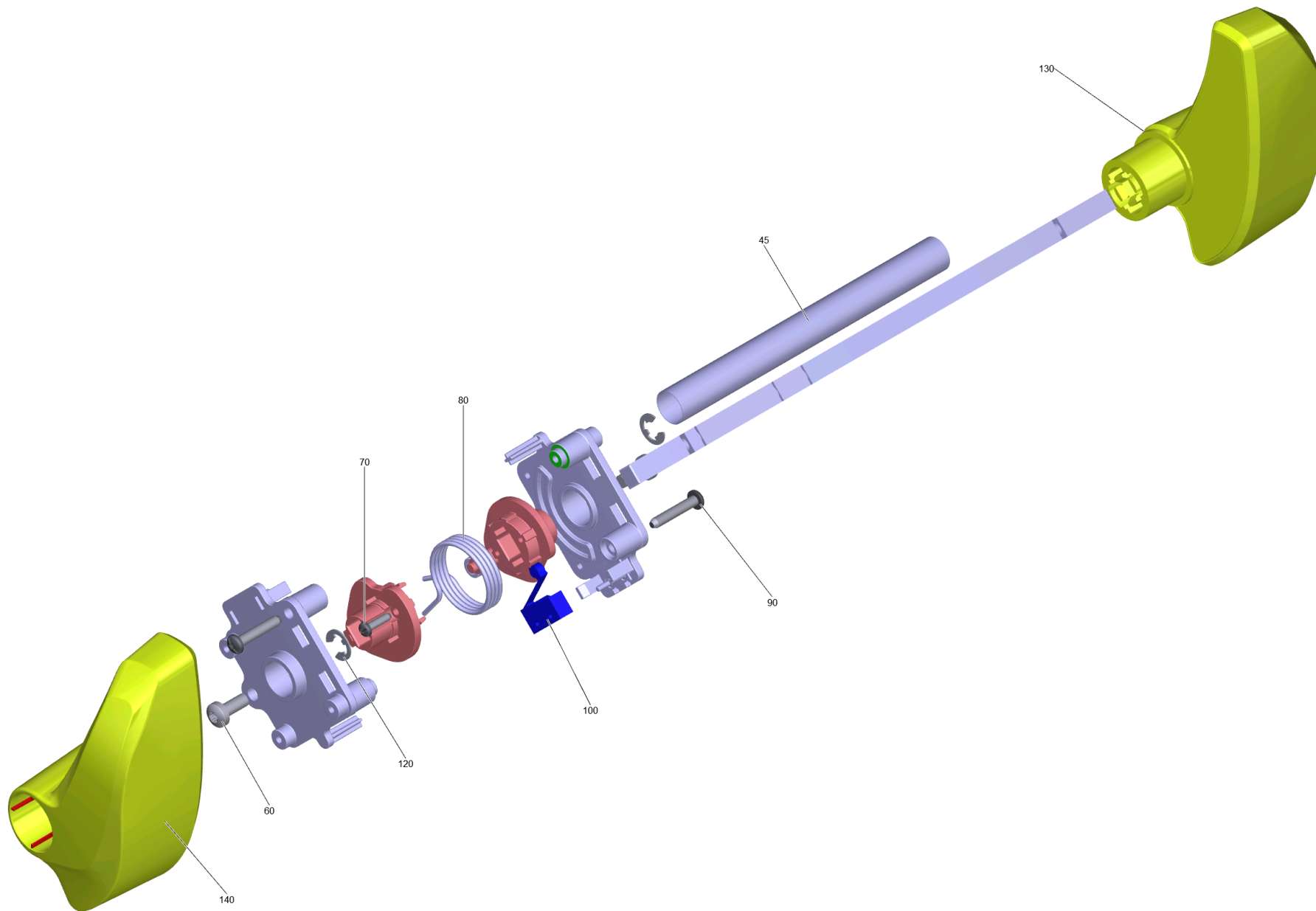
20 Control panel complete 40C Bp Fleet EU

POS	Article no.	Description	Quantity	Unit	Foot note text
10	4.035-130.0	Housing control panel replacement Bp C	1	PC	WITHOUT SLOT FOR 5.033-829.0
10	5.035-219.0	Housing bottom part control panel	1	PC	WITH SLOT FOR 5.033-829.0
20		Covering cap control panel complete BAT	1	PC	
30	5.035-344.0	Key yellow KIK	1	PC	
40	7.303-108.0	Screw 5x20 -10.9-R2R (In6Rd)	7	PC	
50	5.035-348.0	Key grey KIK	1	PC	
60	4.822-986.0	False group cable harness overview B40/60/80/120	1	PC	
80	6.330-111.0	Adapter RJ45 Y-Splitter	1	PC	
81	5.035-196.0	Plate stiffener	1	PC	VERSION 2
90	5.033-829.0	Rubber stopper control panel	1	PC	
99	4.035-064.0	Set key white KIK	1	PC	SET WITH 5 PIECES
99	5.035-337.0	Key red KIK	1	PC	
100	6.882-000.0	Cable blue Patch	1	PC	
110	6.640-751.0	Adapter plug at the Y CAN	1	PC	
200	2.643-348.0	KAERCHER reversion kit Fleet Services B40-80 EU	1	PC	
200	2.644-093.0	KAERCHER reversion kit Fleet EU* Services B40-80	1	PC	
900	4.035-076.0	Key white KIK	1	PC	
901	4.035-408.0	Set key yellow KIK	1	PC	



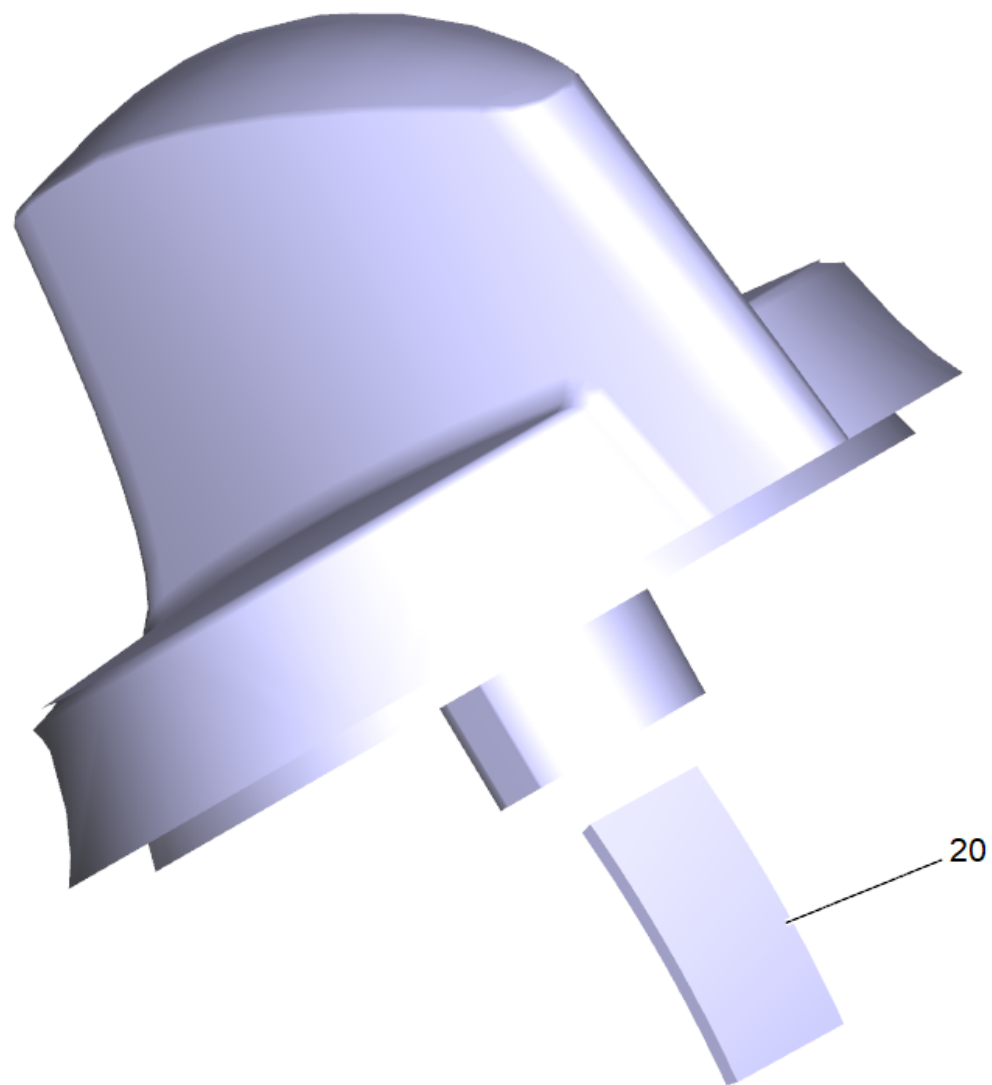
20 Covering cap control panel complete BAT

POS	Article no.	Description	Quantity	Unit	Foot note text
10	4.035-117.0	Covering cap control panel replacement B	1	PC	WITH SLOT FOR 5.033-829.0
10	4.035-412.0	Covering cap control panel foil Bp C	1	PC	WITHOUT SLOT FOR 5.033-829.0
20	4.035-984.0	Tachograph set Bp	1	PC	
30	4.683-310.0	Circuit board replacement C	1	PC	
40	4.035-608.0	Handhold operational concept complete	1	PC	
50	5.321-750.0	Handhold info panel	1	PC	
60	7.303-274.0	Screw 5x12 -A2-70 (In6Rd)	1	PC	
65	7.312-052.0	Washer 5 -A2 ISO 7089	1	PC	
70	5.035-343.0	Guide key	1	PC	
100	4.035-415.0	Switch program selection replacement	1	PC	
105	7.305-036.0	Countersunk screw M4x12 -A2-70-s (IN6RD	2	PC	
150	6.649-933.0	Cable Patch	1	PC	



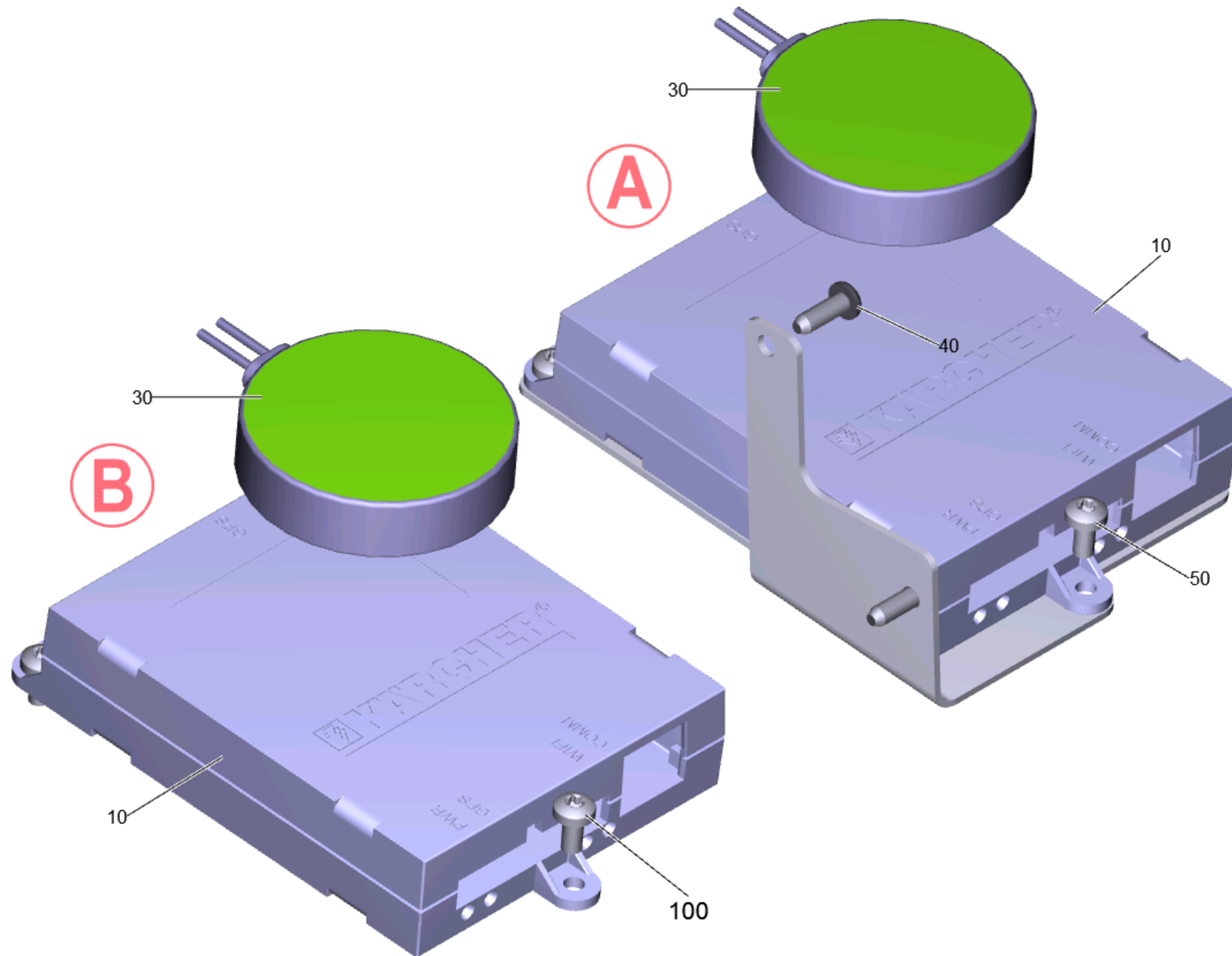
20 Tachograph set Bp (4.035-984.0)

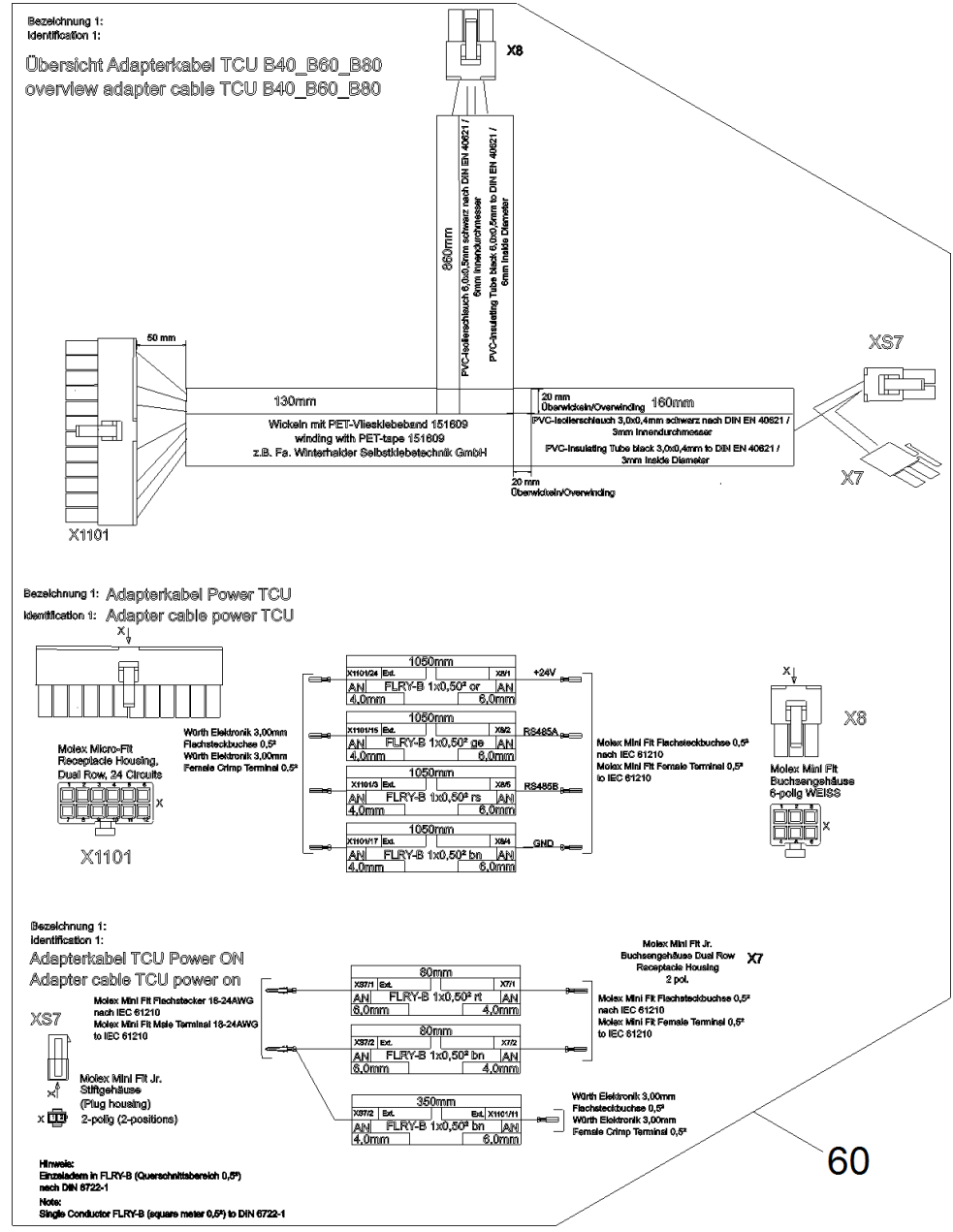
POS	Article no.	Description	Quantity	Unit	Foot note text
45	6.642-014.0	Insulating hose 13	1	m	TO ORDER AS CUT GOODS
60	7.306-394.0	Screw M5x12 -8.8-ZNBHL ISO 14583	2	PC	
70	6.303-557.0	Screw 3x12 Kombitorx T8	2	PC	
80	6.330-441.0	Torsion spring tachograph	1	PC	
90	7.303-096.0	Screw 4x22-ST-10.9-R2R (IN6RD)	2	PC	
100	6.630-732.0	Switch gold plated	1	PC	
120	7.343-201.0	Lock washer 6-FST-PHR DIN 6799	2	PC	
130	4.035-495.0	Tachograph right complete	1	PC	
140	4.035-496.0	Tachograph left complete	1	PC	



40 Handhold operational concept complete (4.035-608.0)

POS	Article no.	Description	Quantity	Unit
20	6.313-014.0	Spring element	1	PC



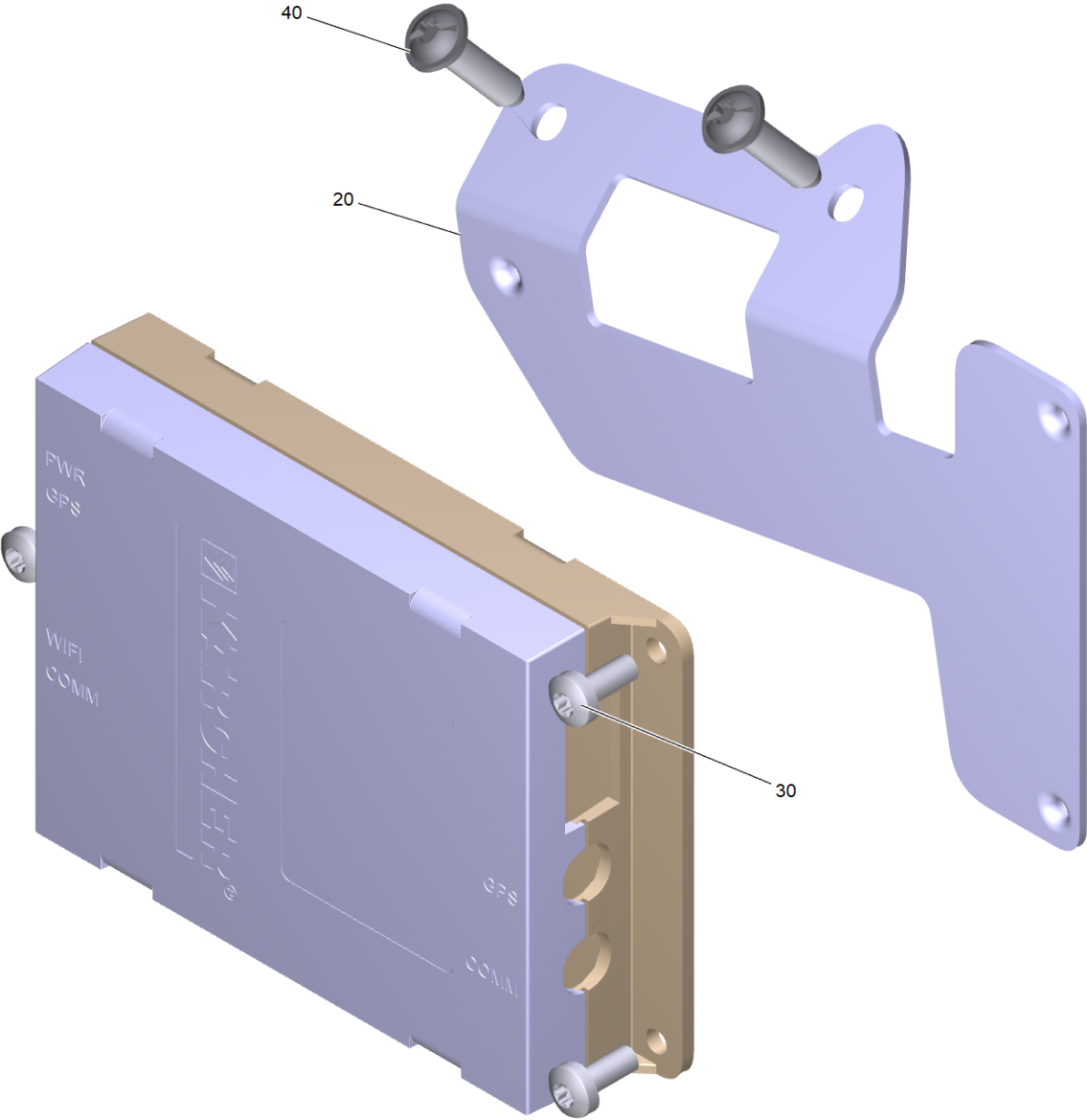


200 KAERCHER reversion kit Fleet Services B40-80 EU (2.643-348.0)

POS	Article no.	Description	Quantity	Unit	Foot note text
10	2.644-213.0	Kaercher Fleet services B110R	1	PC	
30	4.682-006.0	Antenna fleet management module replacem	1	PC	
40	7.303-095.0	Screw 4x12-ST-10.9-R2R (IN6RD)	2	PC	VERSION A
50	7.306-205.0	Screw M4x8 -A2-70 ISO 14853	3	PC	VERSION A
60	4.822-943.0	Cable B40/60/80 TCU Fleetmanagement	1	PC	
100	7.303-102.0	Screw 3,5x12 -A2-70-bk (In6Rd)	3	PC	VERSION B

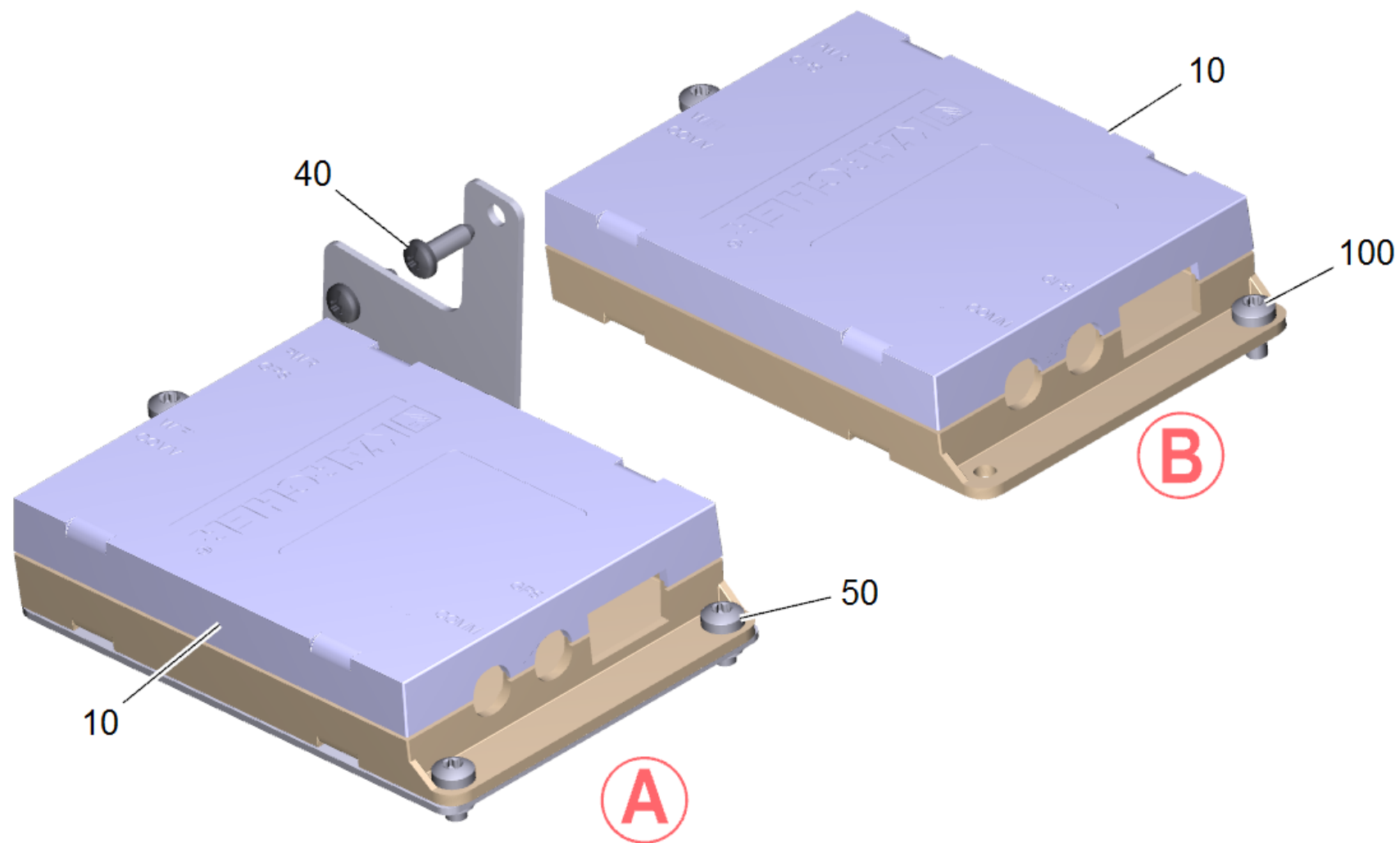
10 Kaercher Fleet services B110R (2.644-213.0)

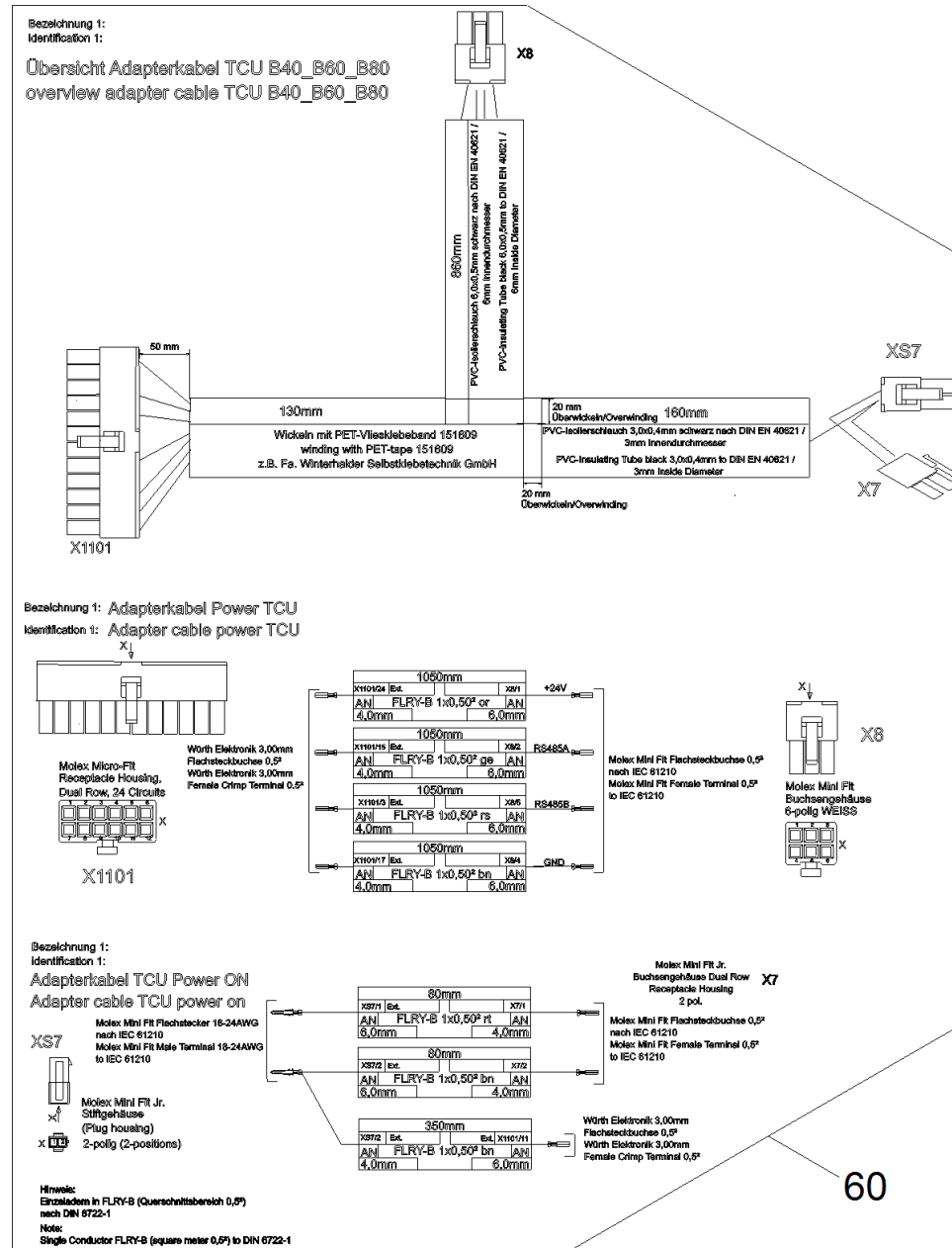
POS	Description	Quantity	Unit
10	Kaercher Fleet services B110R	1	PC



10 Kaercher Fleet services B110R

POS	Article no.	Description	Quantity	Unit
20	5.039-431.0	Retaining plate fleet management module B110	1	PC
30	7.306-206.0	Screw M4x10 -A2-70 ISO 14583	3	PC
40	7.303-108.0	Screw 5x20 -10.9-R2R (In6Rd)	2	PC



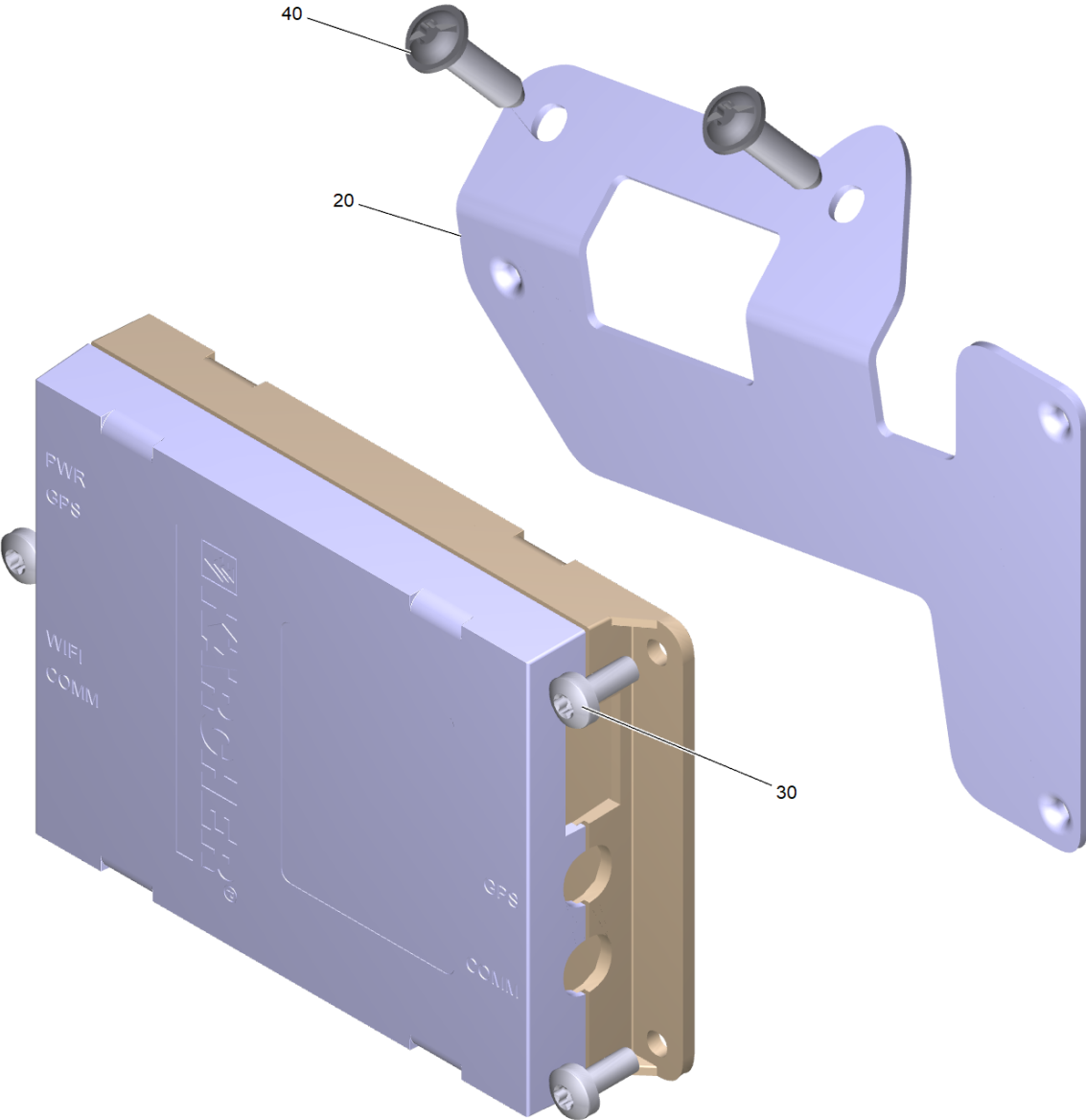


200 KAERCHER reversion kit Fleet EU* Services B40-80 (2.644-093.0)

POS	Article no.	Description	Quantity	Unit
10	2.644-213.0	Kaercher Fleet services B110R	1	PC
40	7.303-095.0	Screw 4x12-ST-10.9-R2R (IN6RD)	2	PC
50	7.306-205.0	Screw M4x8 -A2-70 ISO 14853	3	PC
60	4.822-943.0	Cable B40/60/80 TCU Fleetmanagement	1	PC
100	7.303-102.0	Screw 3,5x12 -A2-70-bk (In6Rd)	3	PC

10 Kaercher Fleet services B110R (2.644-213.0)

POS	Description	Quantity	Unit
10	Kaercher Fleet services B110R	1	PC

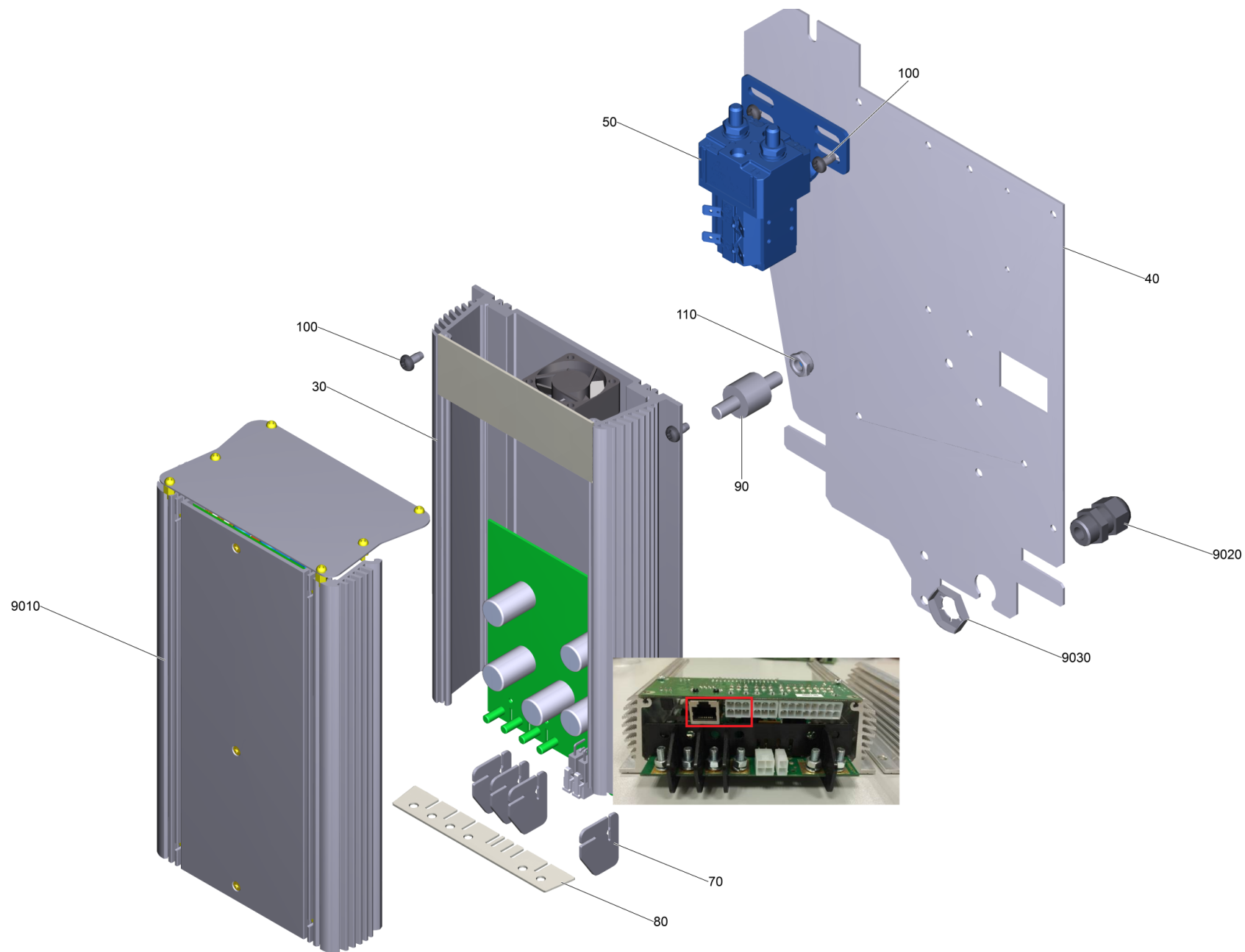


10 Kaercher Fleet services B110R

POS	Article no.	Description	Quantity	Unit
20	5.039-431.0	Retaining plate fleet management module B110	1	PC
30	7.306-206.0	Screw M4x10 -A2-70 ISO 14583	3	PC
40	7.303-108.0	Screw 5x20 -10.9-R2R (In6Rd)	2	PC

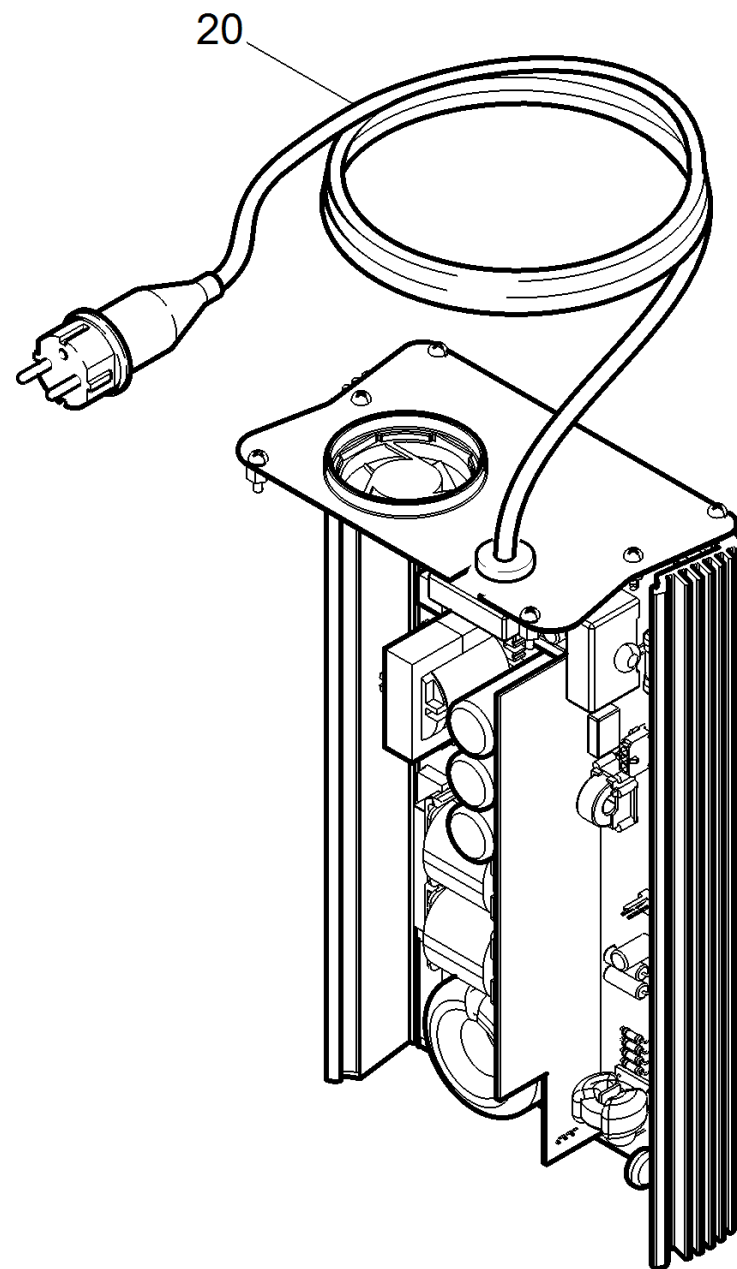
901 Set key yellow KIK (4.035-408.0)

POS	Article no.	Description	Quantity	Unit
10	5.035-344.0	Key yellow KIK	5	PC
20	6.590-355.0	Bag PE 130x140 mm neutral	1	PC
30	6.376-020.0	Label 65X55 MM	1	ZST



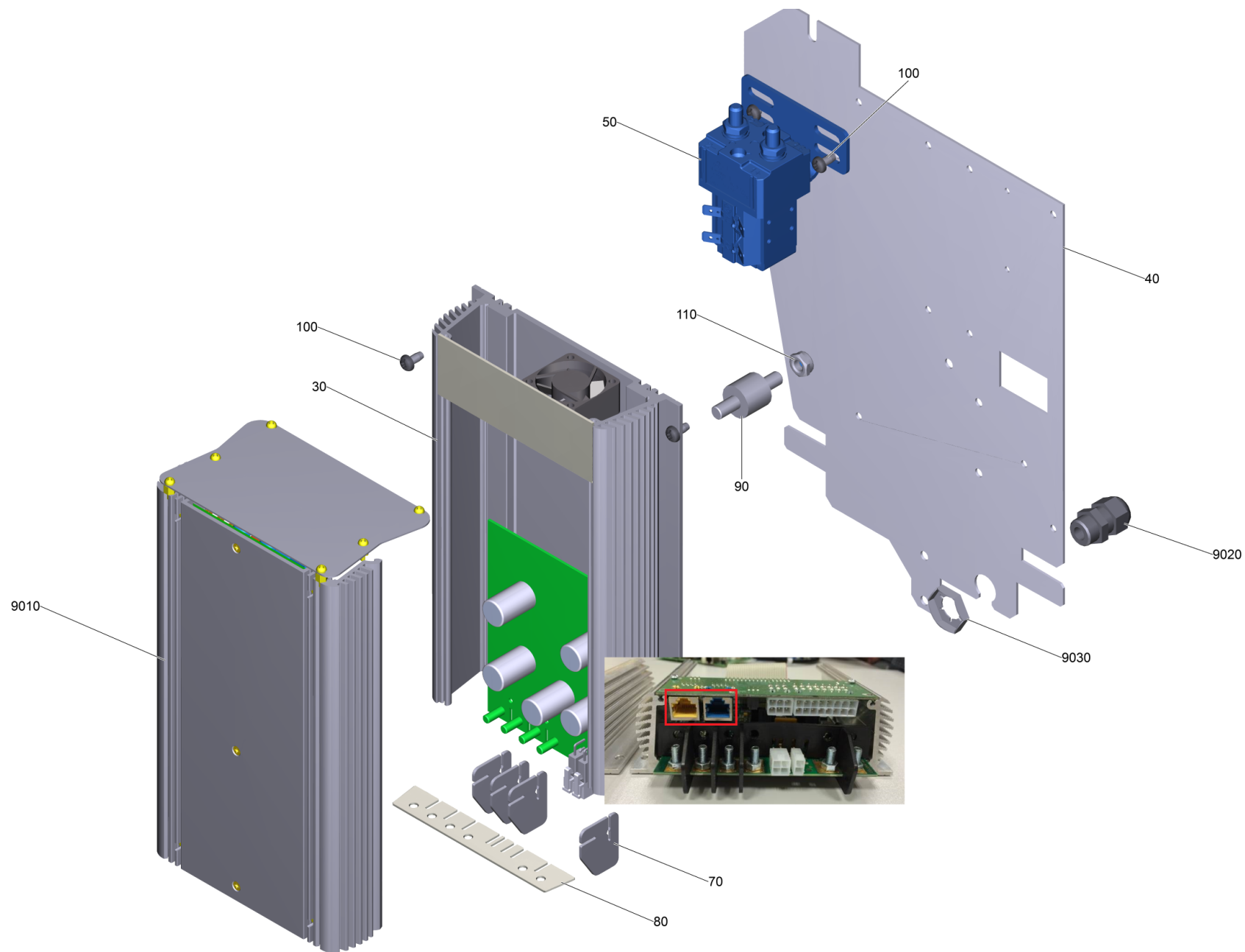
40 Electric equipment B40 C Bp Dose

POS	Article no.	Description	Quantity	Unit
10	4.822-899.0	Cable harness B40 C Bp	1	PC
30	4.683-074.0	Electronics control system replacement B	1	PC
40	5.035-449.0	Plate base plate electronics	1	PC
50	6.633-044.0	Relay 120A	1	PC
50	6.633-389.0	Relay 24VDC / 100A	1	PC
70	5.035-359.0	Moulded part plate electronics klein	4	PC
80	5.035-362.0	Moulded part plate electronics	1	PC
90	6.652-033.0	Isolator	1	PC
100	7.303-037.0	Screw M5x10 -St-P2R (In6Rd)	6	PC
110	7.311-427.0	Hexagon nut M8 -04-A2E DIN 985	1	PC
120	6.648-399.0	Cable gland black M16x1,5	1	PC
130	7.777-999.0	Stockpiling discontinued	1	PC
9000	6.645-554.0	Connecting cable control system battery charger	1	PC
9010	6.654-337.0	Battery charger replacement B 40 Japan	1	PC
9010	6.683-119.0	Battery charger replacement B 40 *EU	1	PC
9020	6.648-399.0	Cable gland black M16x1,5	1	PC
9030	7.777-999.0	Stockpiling discontinued	1	PC



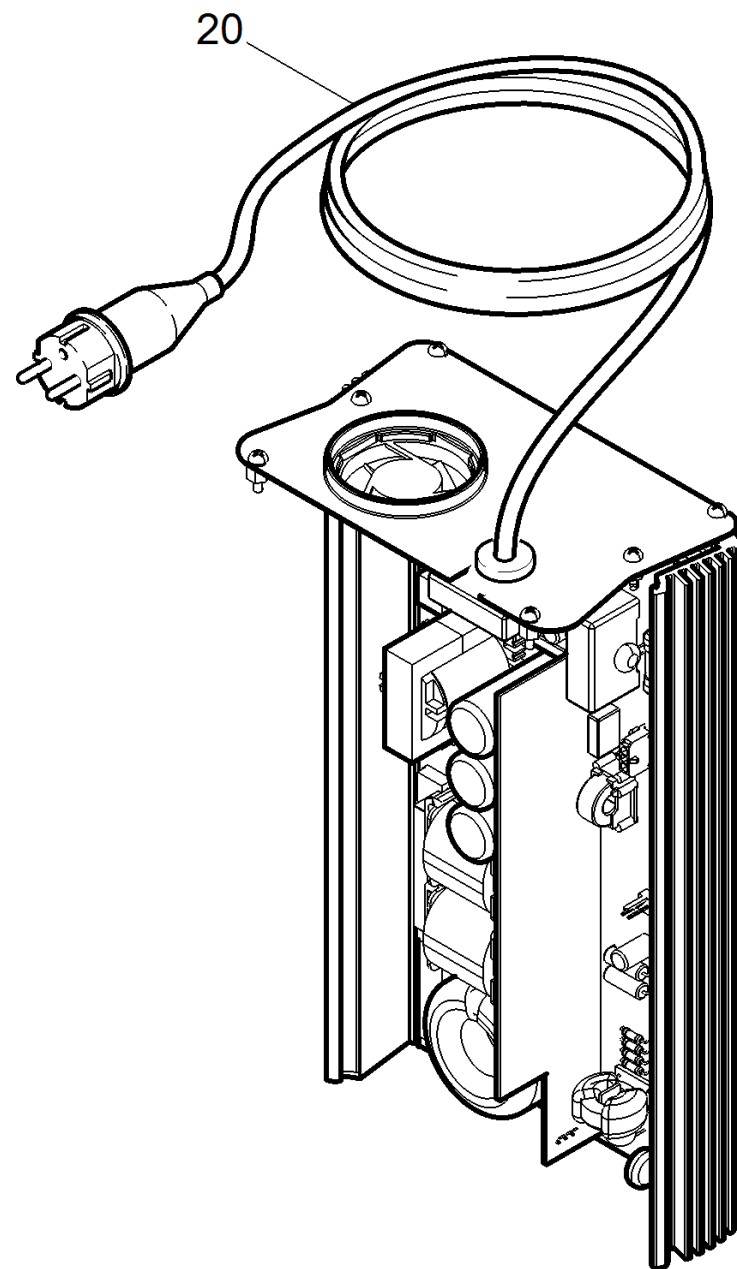
9010 Battery charger replacement B 40 *EU (6.683-119.0)

POS	Article no.	Description	Quantity	Unit	Remark
20	6.645-553.0	Cable with plug	1	PC	*EU
20	6.645-586.0	Cable with plug B40-USA	1	PC	*US



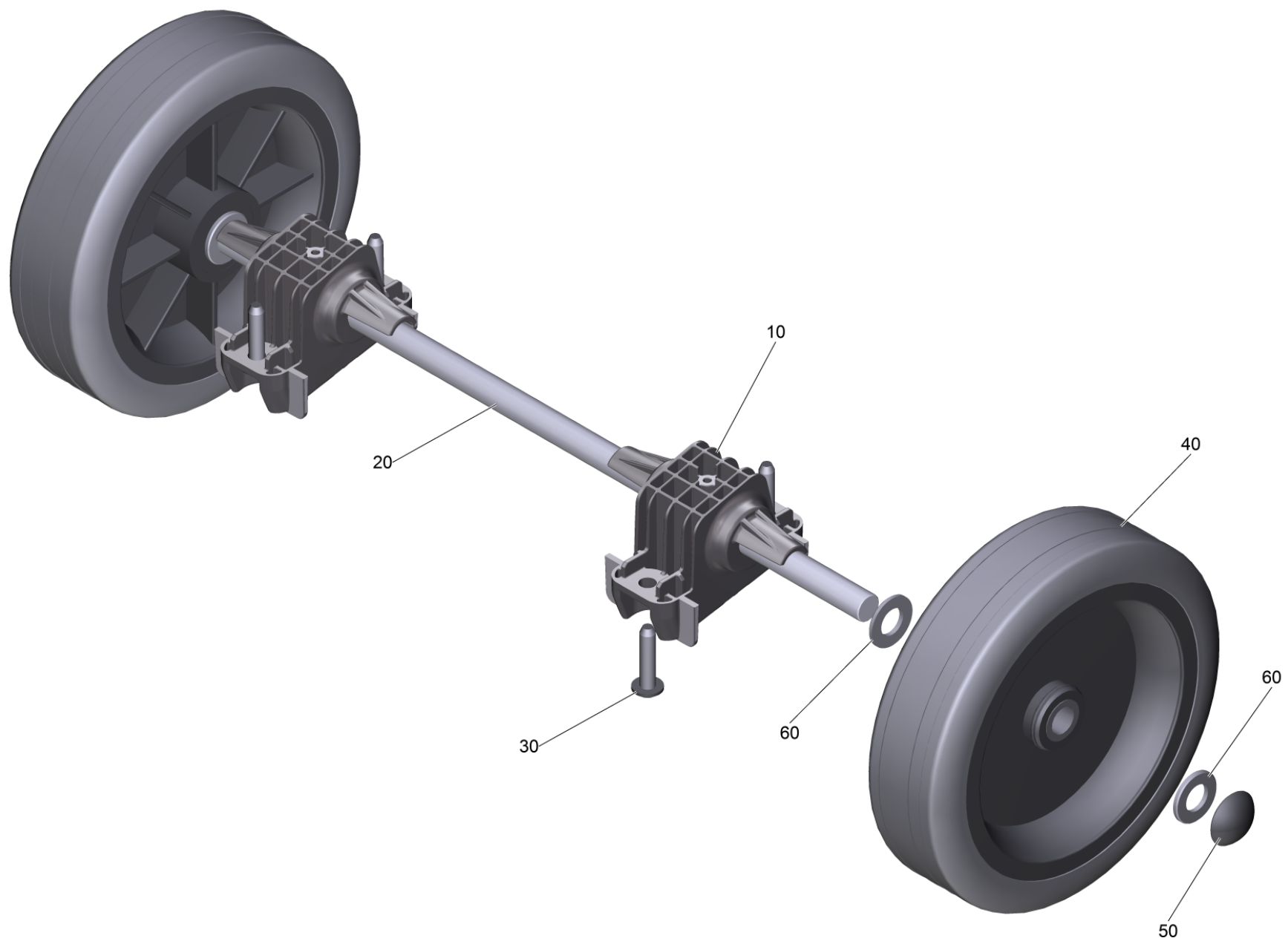
40 Electric equipment B40 C BP Dose CAN

POS	Article no.	Description	Quantity	Unit	Remark
10	4.822-899.0	Cable harness B40 C Bp	1	PC	
30	4.683-074.0	Electronics control system replacement B	1	PC	
40	5.035-449.0	Plate base plate electronics	1	PC	
50	4.633-110.0	Relay replacement set	1	PC	
70	5.035-359.0	Moulded part plate electronics klein	4	PC	
80	5.035-362.0	Moulded part plate electronics	1	PC	
90	6.652-033.0	Isolator	1	PC	
100	7.303-037.0	Screw M5x10 -St-P2R (In6Rd)	6	PC	
110	7.311-427.0	Hexagon nut M8 -04-A2E DIN 985	1	PC	
9000	6.645-554.0	Connecting cable control system battery charger	1	PC	
9010	6.654-337.0	Battery charger replacement B 40 Japan	1	PC	*JP
9010	6.683-119.0	Battery charger replacement B 40 *EU	1	PC	
9020	6.648-399.0	Cable gland black M16x1,5	1	PC	
9030	7.777-999.0	Stockpiling discontinued	1	PC	



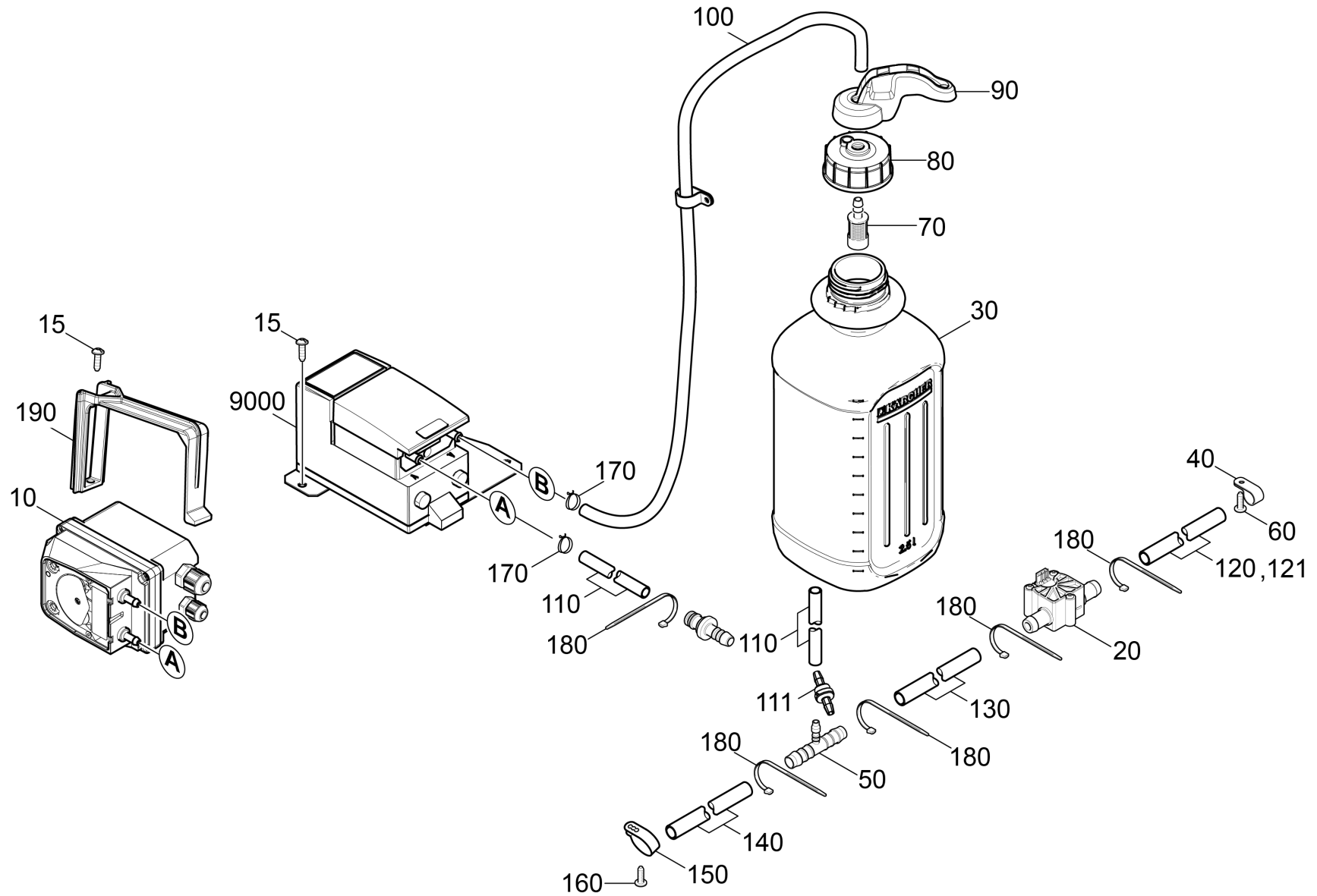
9010 Battery charger replacement B 40 *EU (6.683-119.0)

POS	Article no.	Description	Quantity	Unit	Remark
20	6.645-553.0	Cable with plug	1	PC	*EU
20	6.645-586.0	Cable with plug B40-USA	1	PC	*US



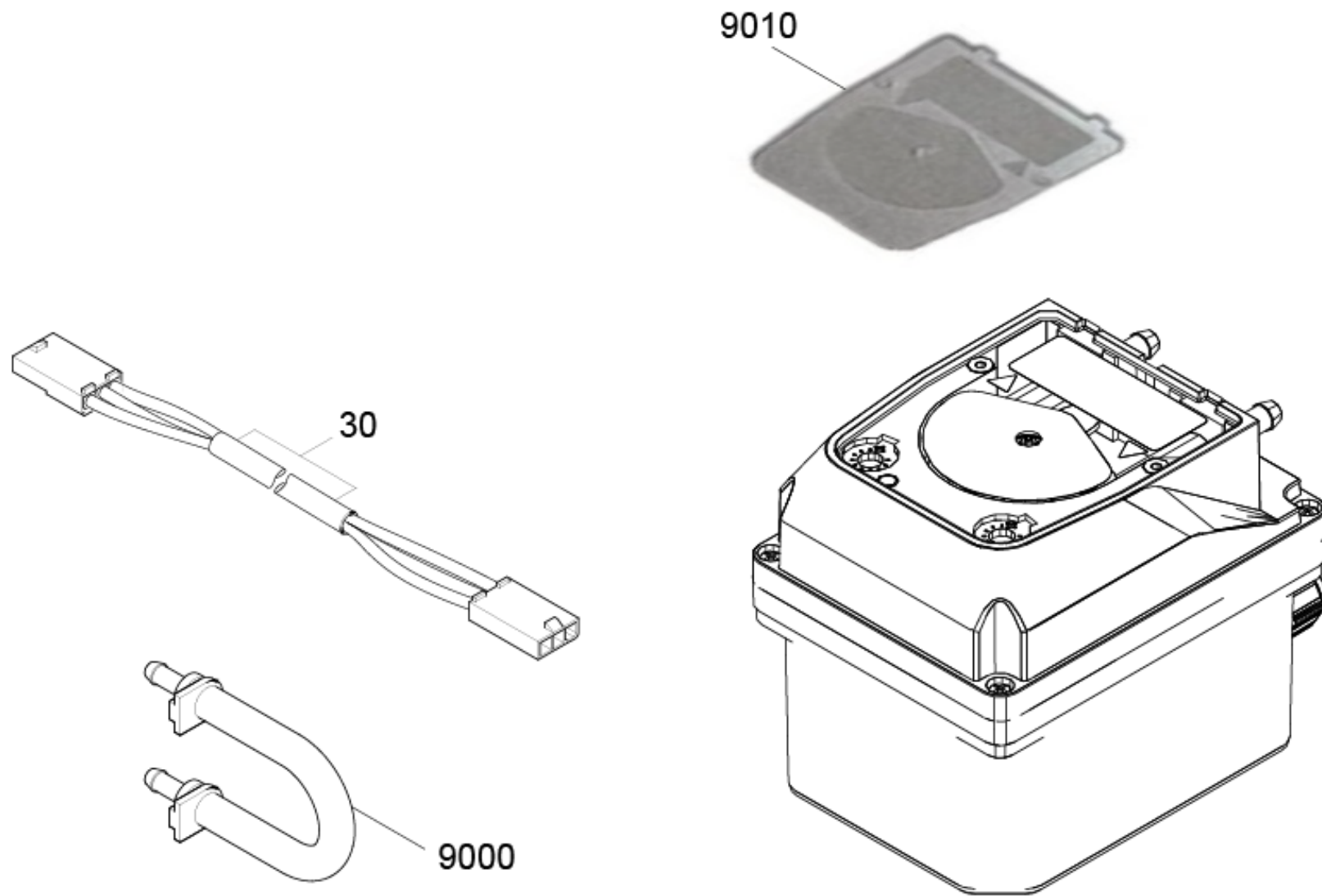
70 Axle complete

POS	Article no.	Description	Quantity	Unit
10	5.035-352.0	Holder axle	2	PC
20	5.035-360.0	Wheel axle carriage	1	PC
30	6.303-315.0	Screw 8 x 35	4	PC
40	6.435-412.0	Wheel D 200	2	PC
50	6.343-240.0	Lock washer	2	PC
60	7.312-028.0	Washer 14-200HV-A3E ISO7089	4	PC



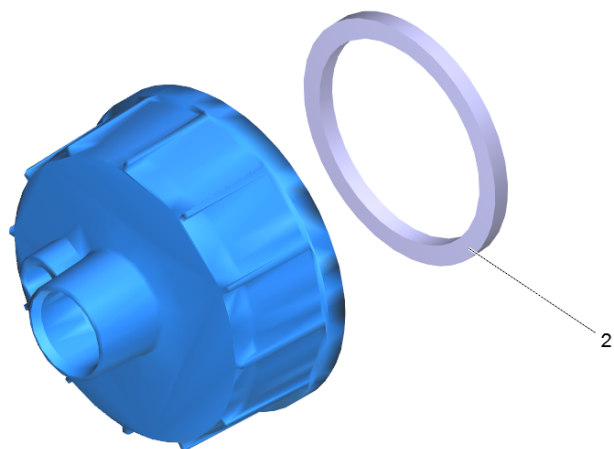
80 RM tin B40

POS	Article no.	Description	Quantity	Unit	Foot note text
10	4.762-028.0	Dosing pump replacement B40 B60 B80	1	PC	
15	7.303-107.0	Screw 5x16 -10.9-P2R (K-In6Rd)	1	PC	
20	6.429-038.3	Flowmetre	1	PC	
30	6.295-915.0	RM 756** 2,5l Multi Cleaner	1	PC	
40	6.373-877.0	Hose clip	4	PC	
50	6.395-188.0	T-Piece 12-6-12	1	PC	
60	7.303-107.0	Screw 5x16 -10.9-P2R (K-In6Rd)	4	PC	
70	5.731-652.0	Filter with weight	1	PC	
80	4.060-866.0	Cover cleaning agents complete	1	PC	
90	5.035-659.0	Hose guide cleaning agents	1	PC	
100	6.391-341.0	Hose chemistry DN 6	0,54	m	TO ORDER AS CUT GOODS
110	6.391-341.0	Hose chemistry DN 6	0,42	m	TO ORDER AS CUT GOODS
111	6.412-015.0	Check valve	1	PC	
120	6.390-892.0	Spiral hose NW12	0,395	m	TO ORDER AS CUT GOODS
121	5.100-411.0	Spiral hose	0,38	m	TO ORDER AS CUT GOODS
130	6.388-248.0	Hose DN12,7	0,08	m	TO ORDER AS CUT GOODS
140	6.390-892.0	Spiral hose NW12	0,11	m	TO ORDER AS CUT GOODS
150	6.641-461.0	Cable clamp 20	1	PC	
160	7.303-107.0	Screw 5x16 -10.9-P2R (K-In6Rd)	1	PC	
170	6.389-924.0	Hose clip	3	PC	
180	6.641-474.0	Cable tape 8-210	4	PC	
190	5.035-721.0	Holder cleaning agents pump	1	PC	
9000	7.777-999.0	Stockpiling discontinued	1	PC	



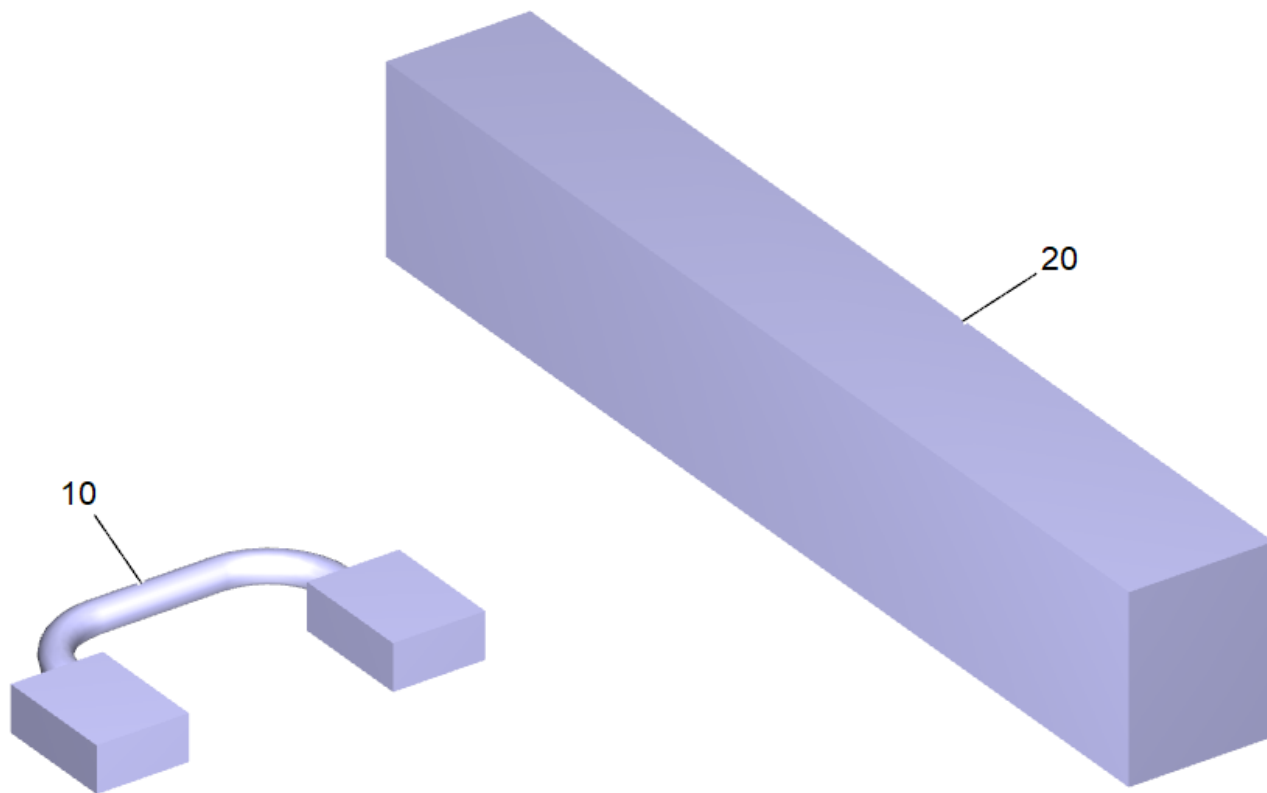
10 Dosing pump replacement B40 B60 B80 (4.762-028.0)

POS	Article no.	Description	Quantity	Unit
30	5.822-000.0	Connection cable Molex	1	PC
9000	4.035-476.0	Hose kit replacement SEKO	1	PC
9010	6.762-023.3	Cover plate dosing pump	1	PC



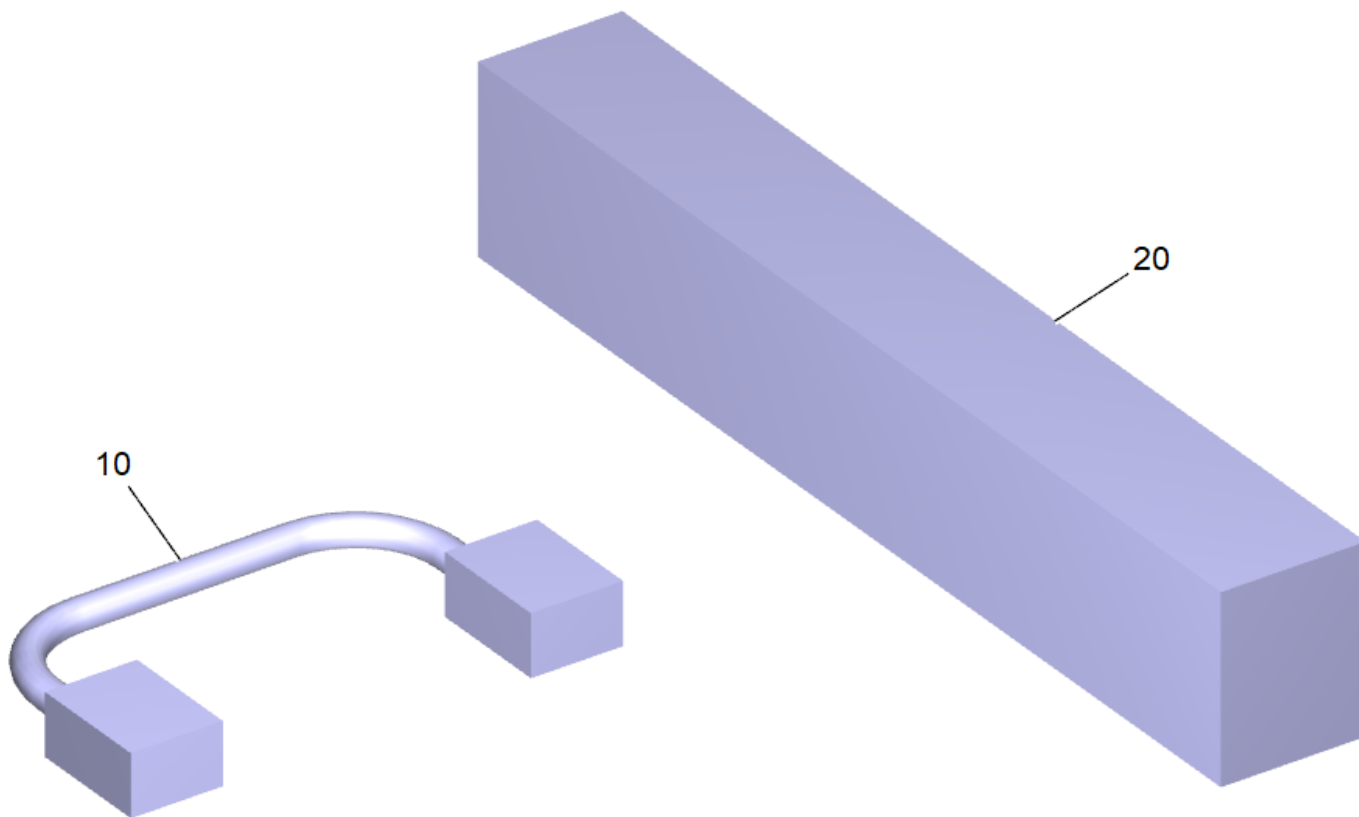
80 Cover cleaning agents complete (4.060-866.0)

POS	Article no.	Description	Quantity	Unit
2	6.363-304.0	Seal	1	PC



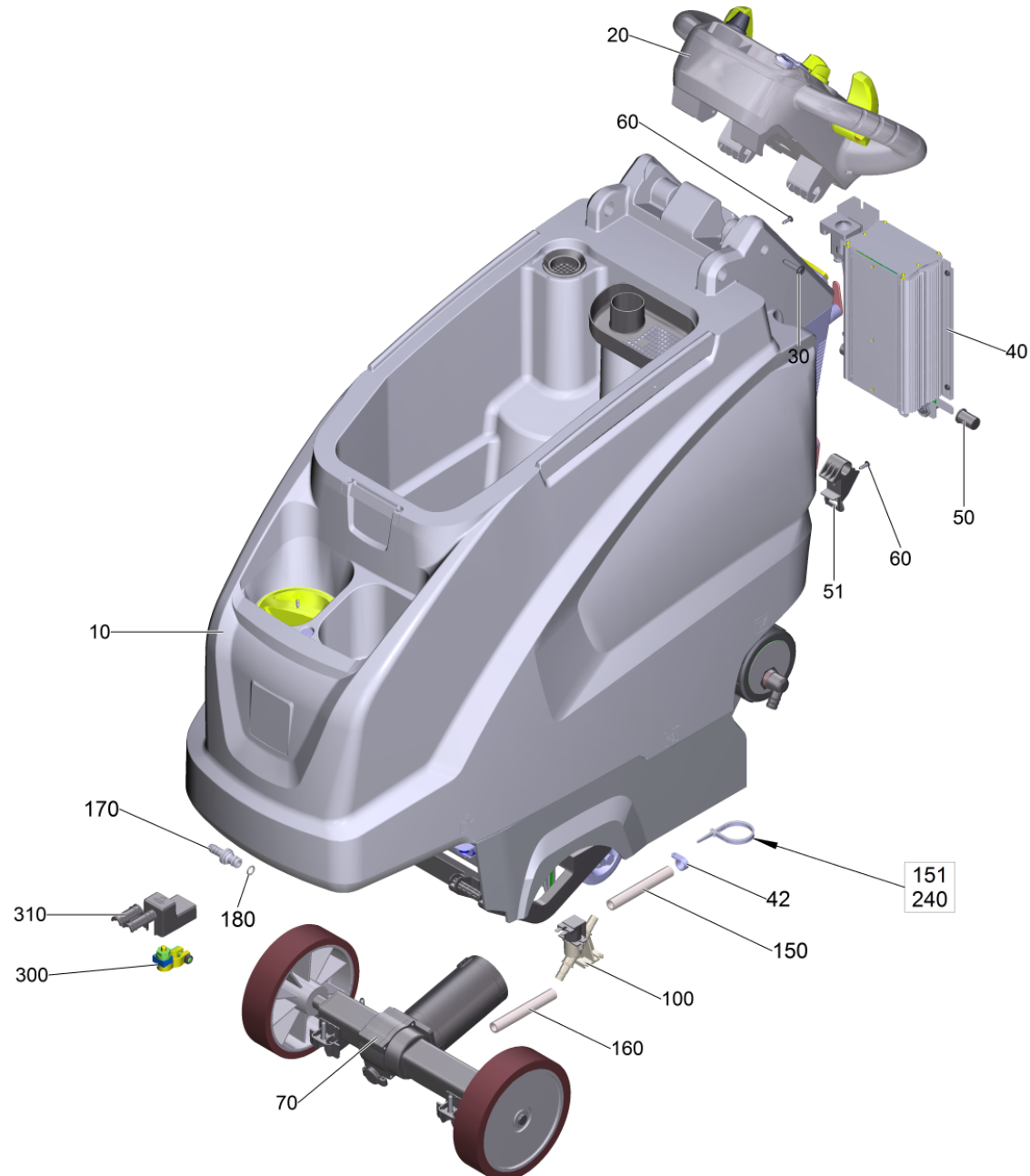
9523 Mounting kit battery kit (2.638-036.0)

POS	Article no.	Description	Quantity	Unit
10	6.649-879.0	Cable battery 25 mm ² . 160 mm	1	PC
20	5.642-021.0	Distance holder battery	1	PC



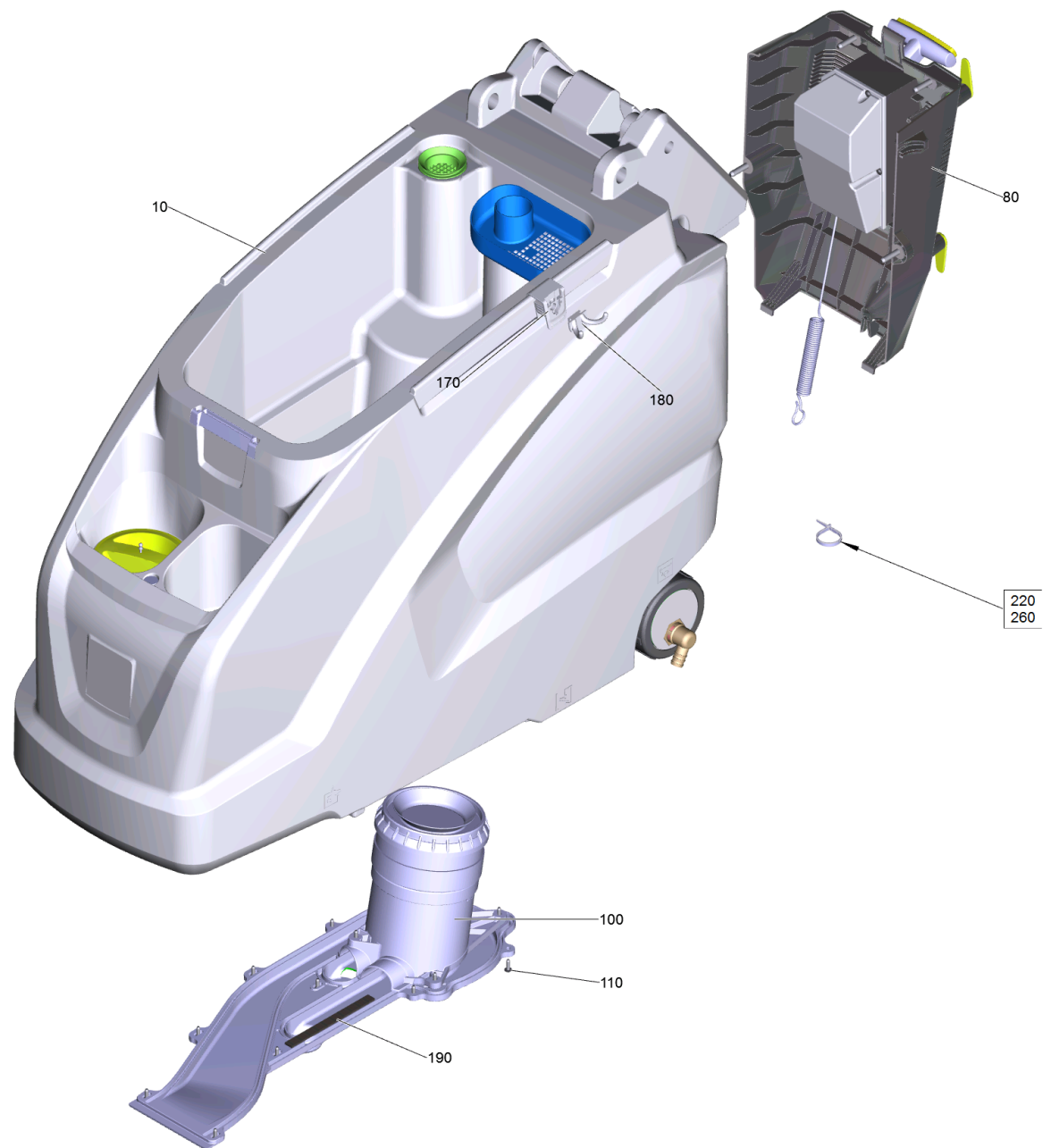
9531 Mounting kit battery kit (2.638-059.0)

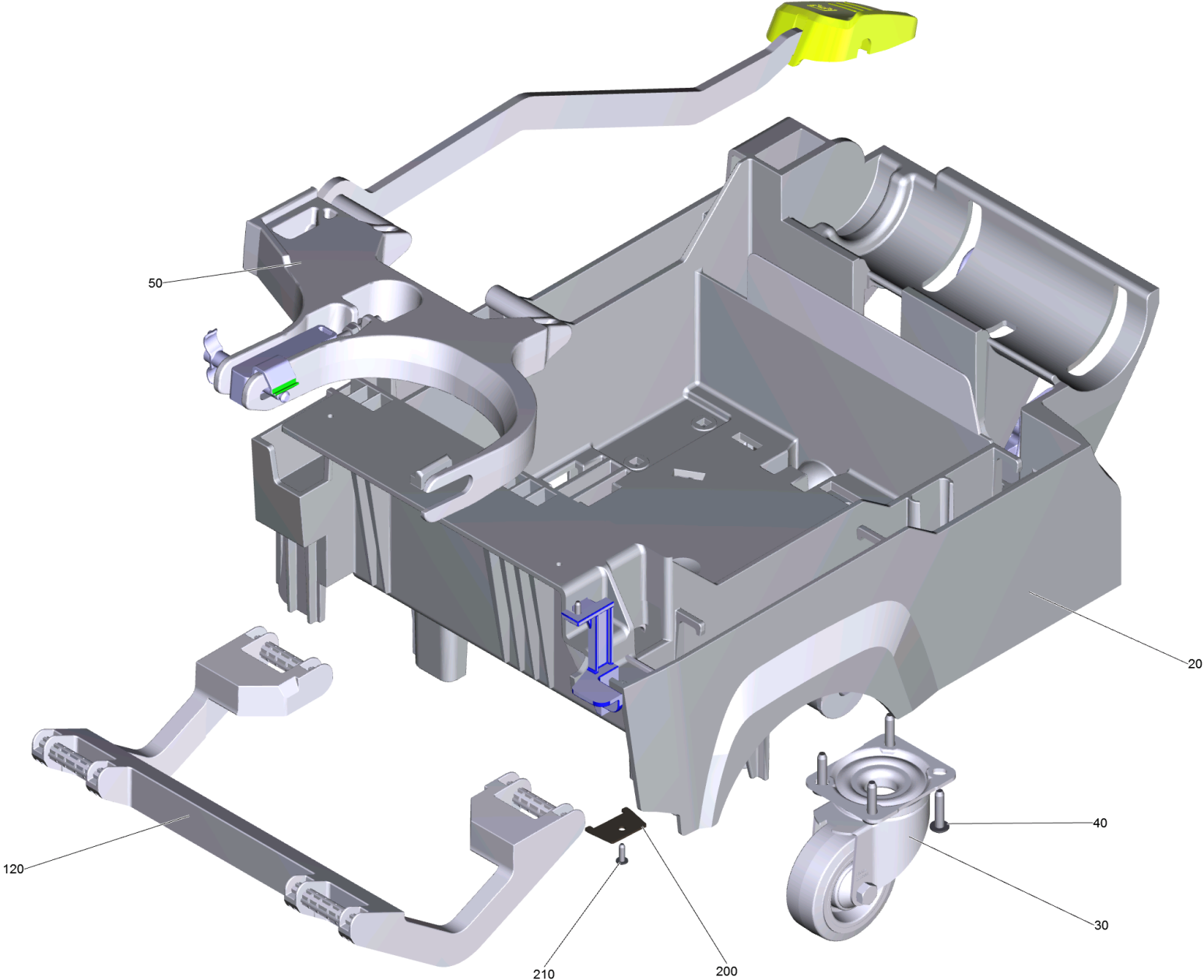
POS	Article no.	Description	Quantity	Unit
10	6.649-601.0	Cable battery short Hoppecke	1	PC
20	5.642-021.0	Distance holder battery	1	PC

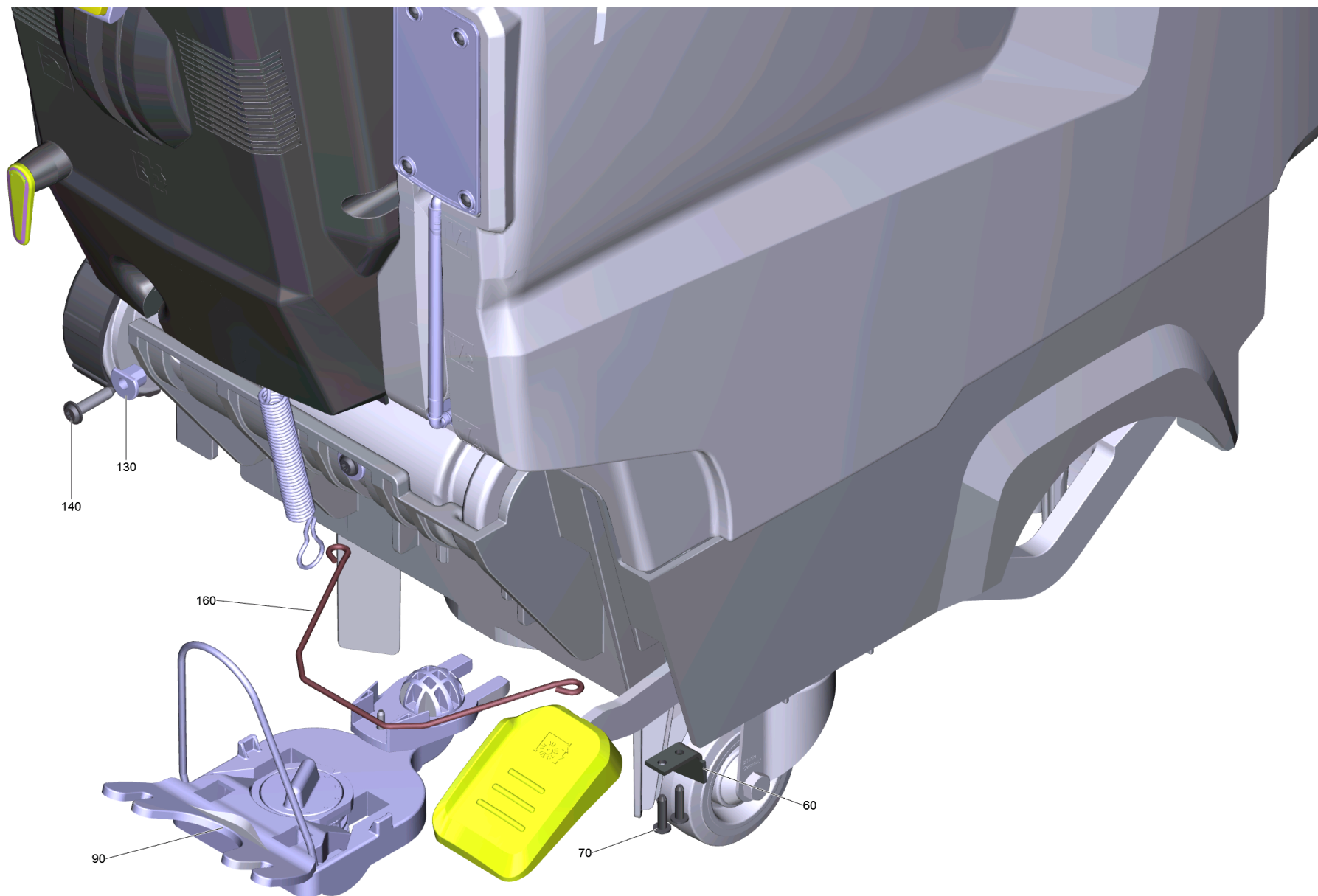


120 B 40 W Bp Fleet (2.533-224.7)

POS	Article no.	Description	Quantity	Unit	Foot note text
10		Basic machinery B 40	1	PC	
20		Control panel complete 40W Bp Fleet EU	1	PC	
30	6.303-315.0	Screw 8 x 35	3	PC	
40		Electric equipment B40 W Bp Dose CAN	1	PC	NEW VERSION
40		Electric equipment B40 W Bp Dose	1	PC	OLD VERSION
42	6.373-877.0	Hose clip	1	PC	
50	5.035-450.0	Bearing bush electronics	2	PC	
51	5.035-433.0	Adapter	2	PC	
60	7.303-107.0	Screw 5x16 -10.9-P2R (K-In6Rd)	4	PC	
70		Gear complete B 40 W	1	PC	
100	6.472-007.3	Solenoid valve 24 V	1	PC	
150	6.390-892.0	Spiral hose NW12	1	m	
151	6.641-474.0	Cable tape 8-210	1	PC	
160	6.390-892.0	Spiral hose NW12	1	m	
170	5.443-375.0	Hose stem	1	PC	
180	6.362-170.0	O-Ring seal 11,3 X 2,4-NBR 70	1	PC	
240	6.641-463.0	Cable tape	2	PC	
300	6.644-618.0	Pole binder	1	PC	
310	5.394-852.0	Covering cap battery terminal	1	PC	
1000		Documentation B40 W Bp	1	PC	
9520	2.815-099.0	Battery kit Gel 2x 12V/76Ah	1	SET	
9521	2.815-100.0	Battery kit Gel 2x 12V/105Ah	1	SET	
9522	2.815-090.0	Battery kit AGM 2x 12V/80Ah	1	SET	
9523	2.638-036.0	Mounting kit battery kit	1	PC	
9530	2.815-091.0	Battery kit AGM 2x 12V/115Ah	1	SET	
9531	2.638-059.0	Mounting kit battery kit	1	PC	

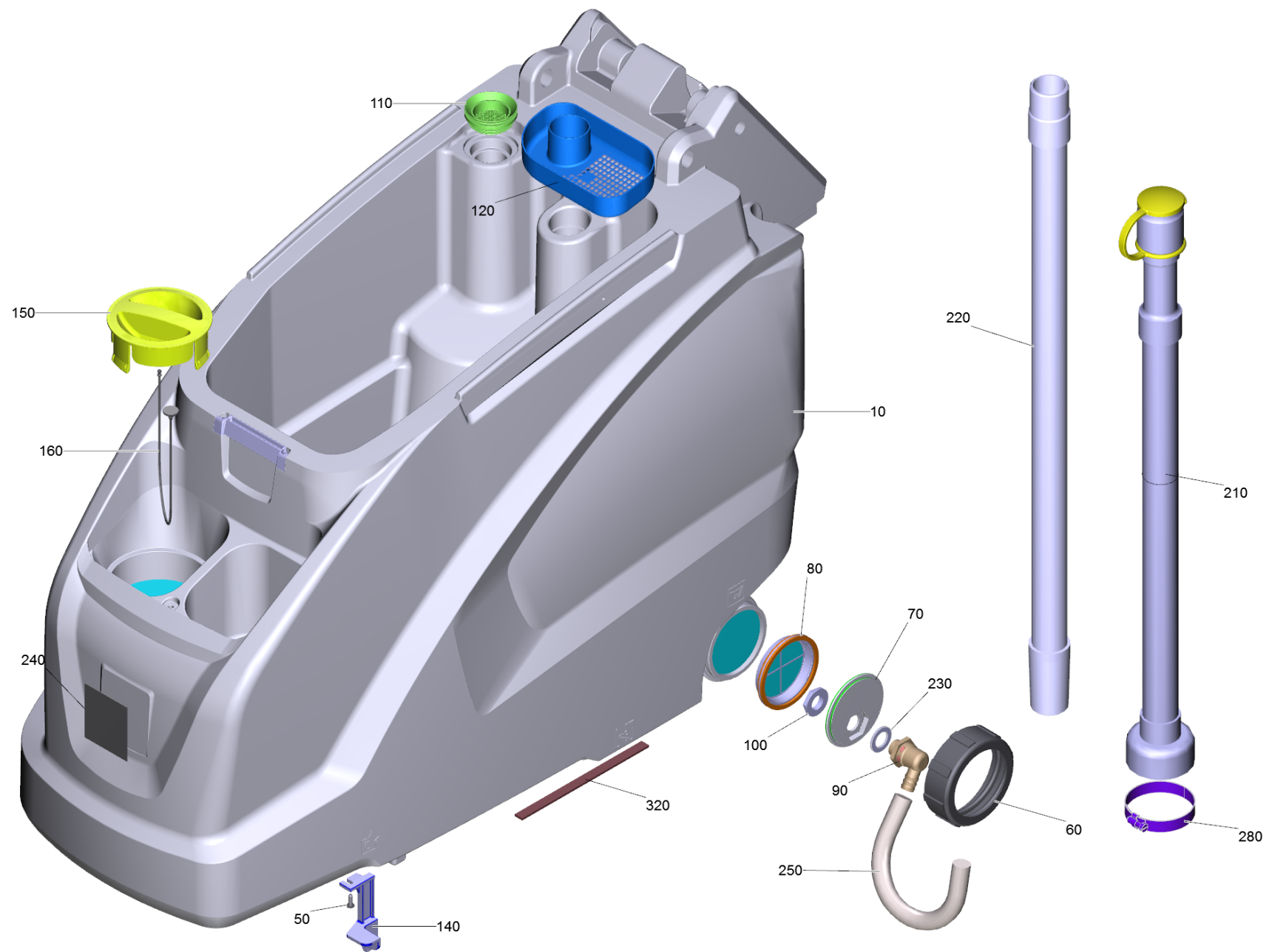


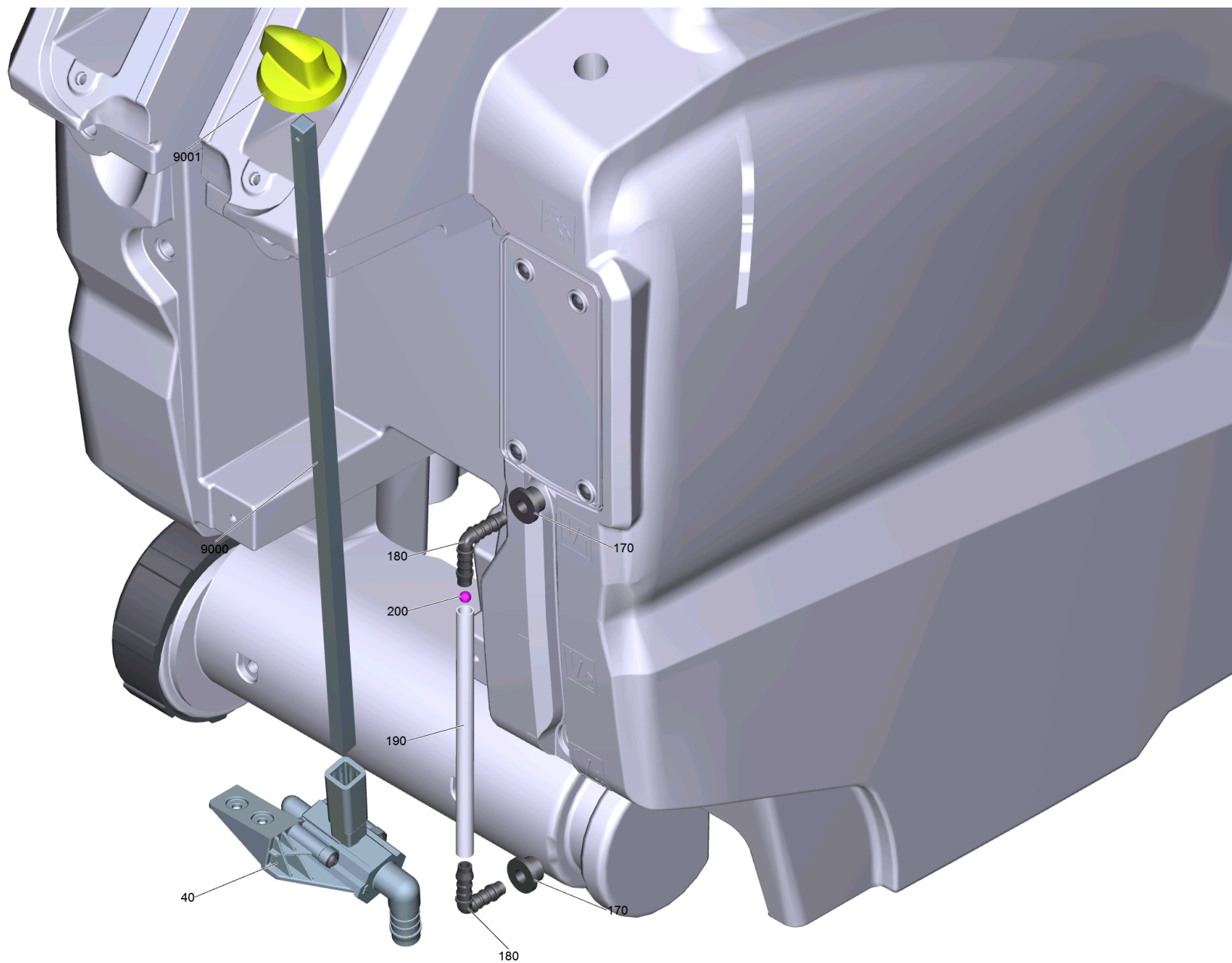


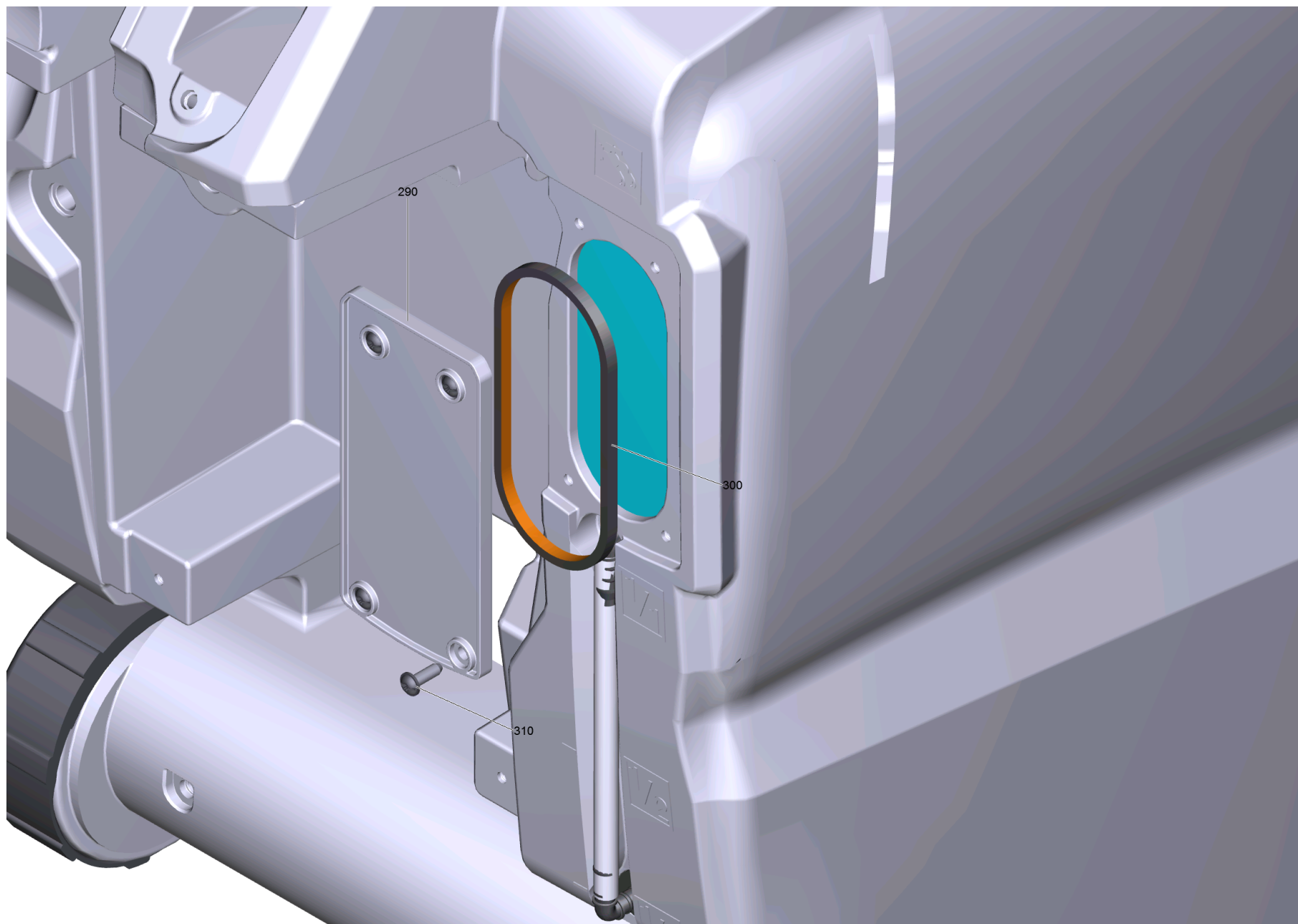


10 Basic machinery B 40

POS	Article no.	Description	Quantity	Unit	Foot note text
10	4.035-335.0	Tank complete	1	PC	
20	5.035-350.0	Frame B40	1	PC	
30	6.435-011.3	Castor	2	PC	
40	6.303-315.0	Screw 8 x 35	8	PC	
50		Suspension brush-head complete	1	PC	
60	5.035-361.0	Sheet metal component	1	PC	
70	7.303-109.0	Screw 5x25 -10.9-R2R (In6Rd)	2	PC	
80		Covering cap rear complete	1	PC	
90		Suction bar lifting complete	1	PC	
100		Vacuum motor	1	PC	
110	7.303-107.0	Screw 5x16 -10.9-P2R (K-In6Rd)	13	PC	
120	5.035-334.0	Retaining bracket connecting rod	1	PC	
130	5.035-522.0	Sleeve	3	PC	
140	6.303-315.0	Screw 8 x 35	3	PC	
160	5.035-440.0	Wire spring	1	PC	
170	5.035-488.0	Adapter Homebase	1	PC	
180	6.980-077.0	Double hook	1	PC	
190	6.273-090.0	Sealing tape 13x3	1	m	TO ORDER AS CUT GOODS
200	5.035-726.0	Plate	1	PC	
210	7.303-107.0	Screw 5x16 -10.9-P2R (K-In6Rd)	1	PC	
220	6.641-465.0	Cable tape	1	PC	
260	6.647-081.0	Cable tape	1	PC	

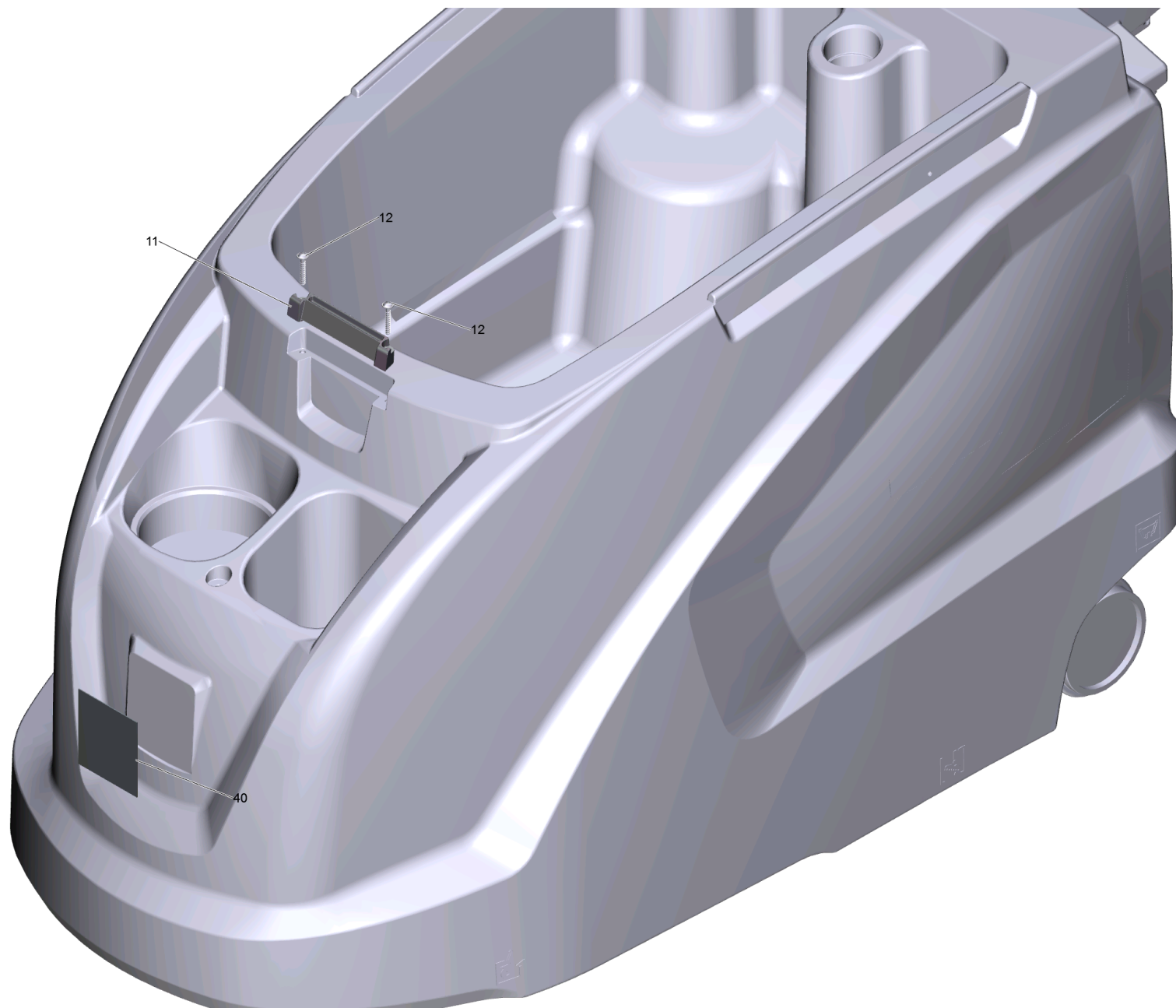






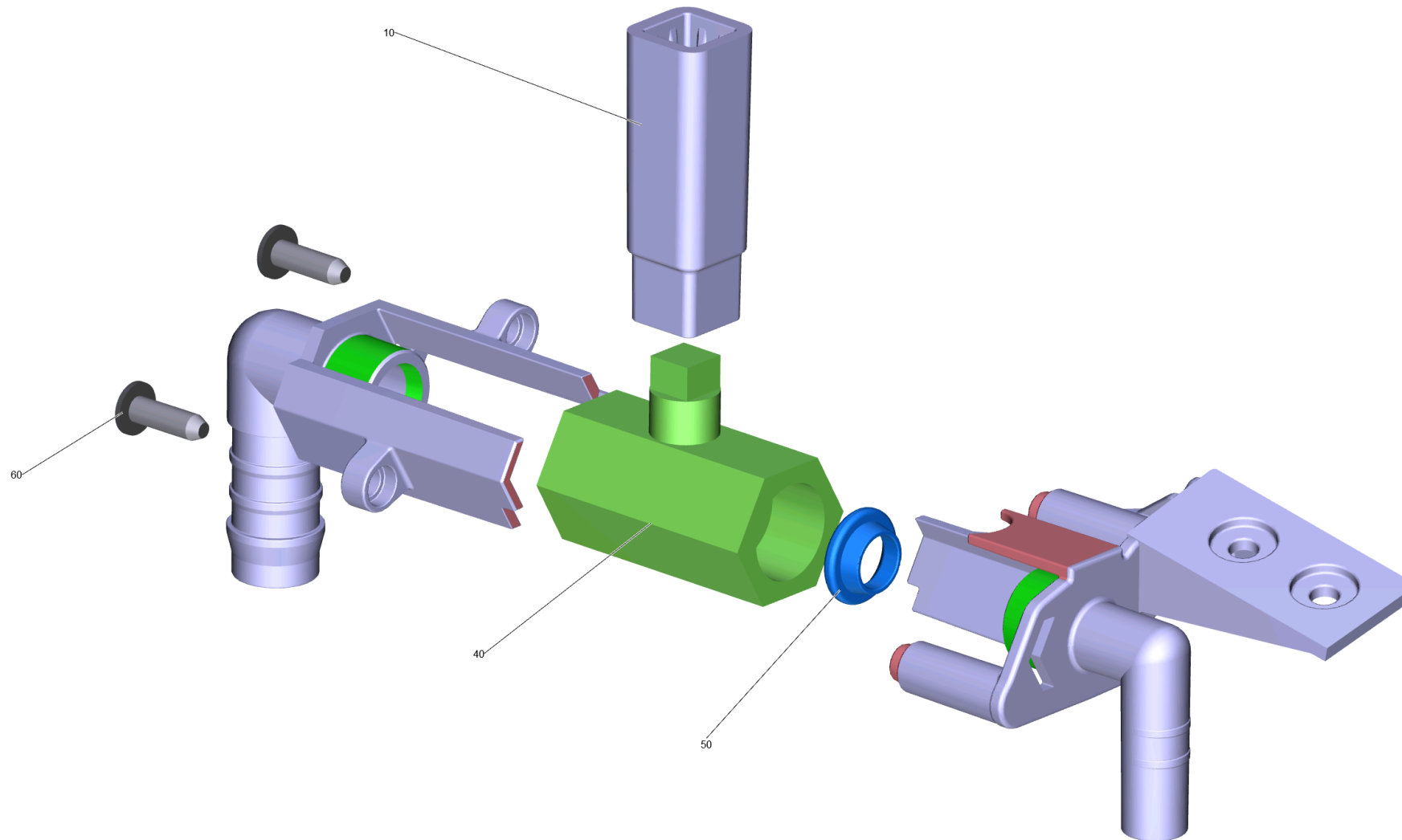
10 Tank complete (4.035-335.0)

POS	Article no.	Description	Quantity	Unit	Foot note text
10	4.035-429.0	Tank replacement B40	1	PC	
40	4.035-426.0	Ball valve complete replacement	1	PC	
50	7.303-107.0	Screw 5x16 -10.9-P2R (K-In6Rd)	3	PC	
60	5.035-341.0	Cover fresh water tank discharge	1	PC	
70	5.035-342.0	Hose connection fresh water discharge	1	PC	
80	5.035-376.0	Filter discharge	1	PC	
90	6.395-163.3	Angle bushing G1-2	1	PC	
100	6.310-004.0	Hexagon nut G 1/2"	1	PC	
110	5.515-266.0	Joint ring fluffing strainer	1	PC	
120	5.036-932.0	Tank bulk waste yellow	1	PC	
140	5.035-435.0	Tank locking part	1	PC	
150	5.034-099.0	Cover fresh water metering RM	1	PC	
160	5.035-358.0	Mounting rope cover fresh water tank	1	PC	
170	5.035-608.0	Wire protecting sleeve	2	PC	
180	6.391-913.0	Elbow nipple	2	PC	
190	5.035-328.0	Silicon hose level indicator	1	PC	
200	6.035-072.0	Sphere level indicator D6	1	PC	
210	4.035-285.0	Drain hose with cover PU	1	PC	OIL RESISTANT
220	6.392-471.0	Suction hose PU DN32	1	PC	
230	5.515-253.0	Seal D34	1	PC	
240	5.394-081.0	Label signet gel 78x86	1	PC	
250	6.390-324.0	Hose DN16	1	m	TO ORDER AS CUT GOODS
280	6.388-767.0	Hose clip 70- 90	1	PC	
290	4.035-370.0	Screen filling system	1	PC	
300	5.035-418.0	Seal fixing plate	1	PC	
310	7.303-107.0	Screw 5x16 -10.9-P2R (K-In6Rd)	4	PC	
320	6.273-043.0	Sealing tape cellularrubber 9x4	1	m	TO ORDER AS CUT GOODS
9000	5.035-369.0	Bar	1	PC	
9001	5.035-404.0	Handle	1	PC	



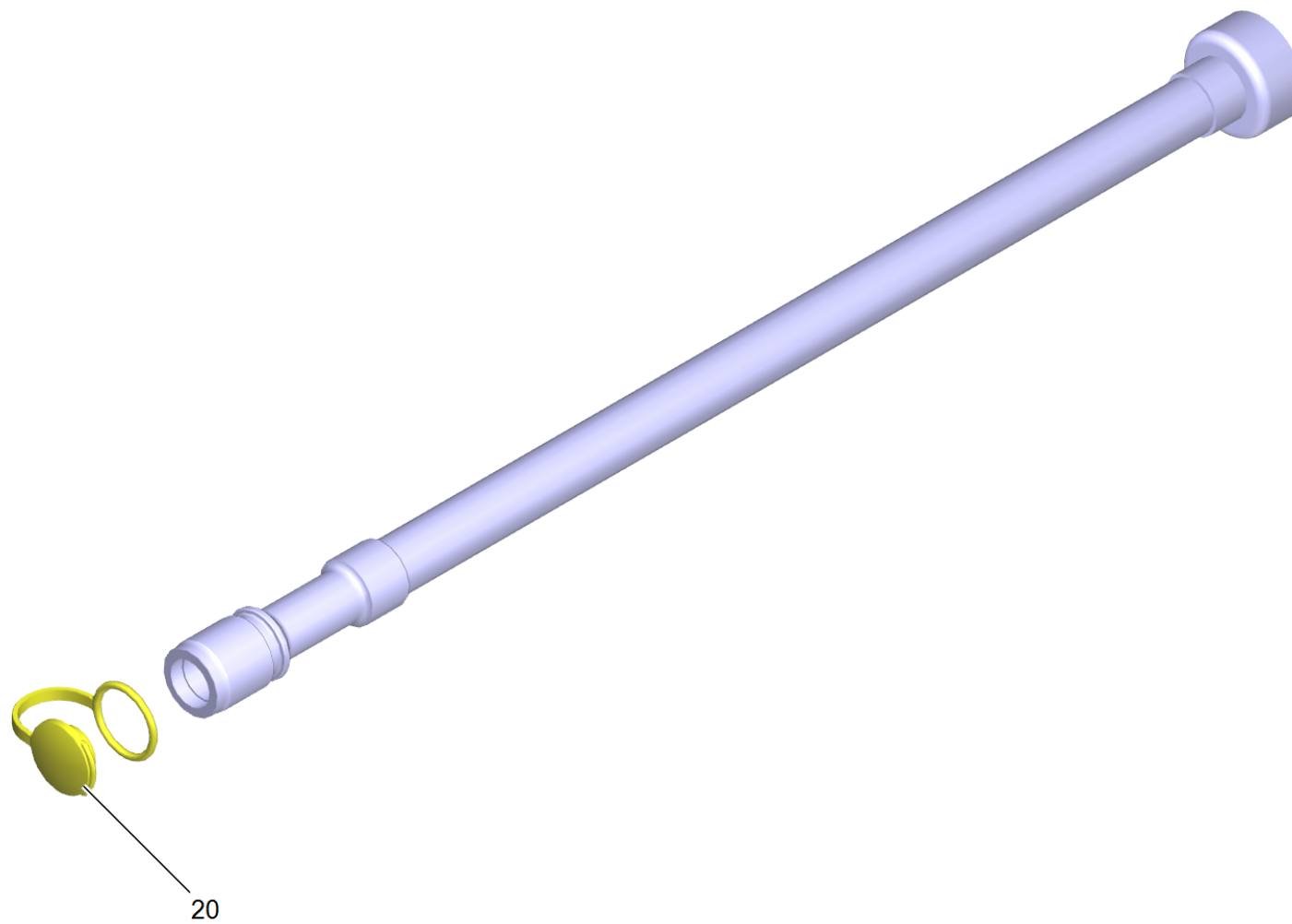
10 Tank replacement B40 (4.035-429.0)

POS	Article no.	Description	Quantity	Unit
11	5.035-482.0	Add-on part tank cover	1	PC
12	7.303-086.0	Screw 5x30 -10.9-R2R (K-In6Rd)	2	PC
40	5.394-081.0	Label signet gel 78x86	1	PC



40 Ball valve complete replacement (4.035-426.0)

POS	Article no.	Description	Quantity	Unit
10	5.035-459.0	Coupler piece ball valve	1	PC
40	6.413-586.0	Ball valve without handhold	1	PC
50	5.035-770.0	Seal ball valve	2	PC
60	7.303-107.0	Screw 5x16 -10.9-P2R (K-In6Rd)	2	PC

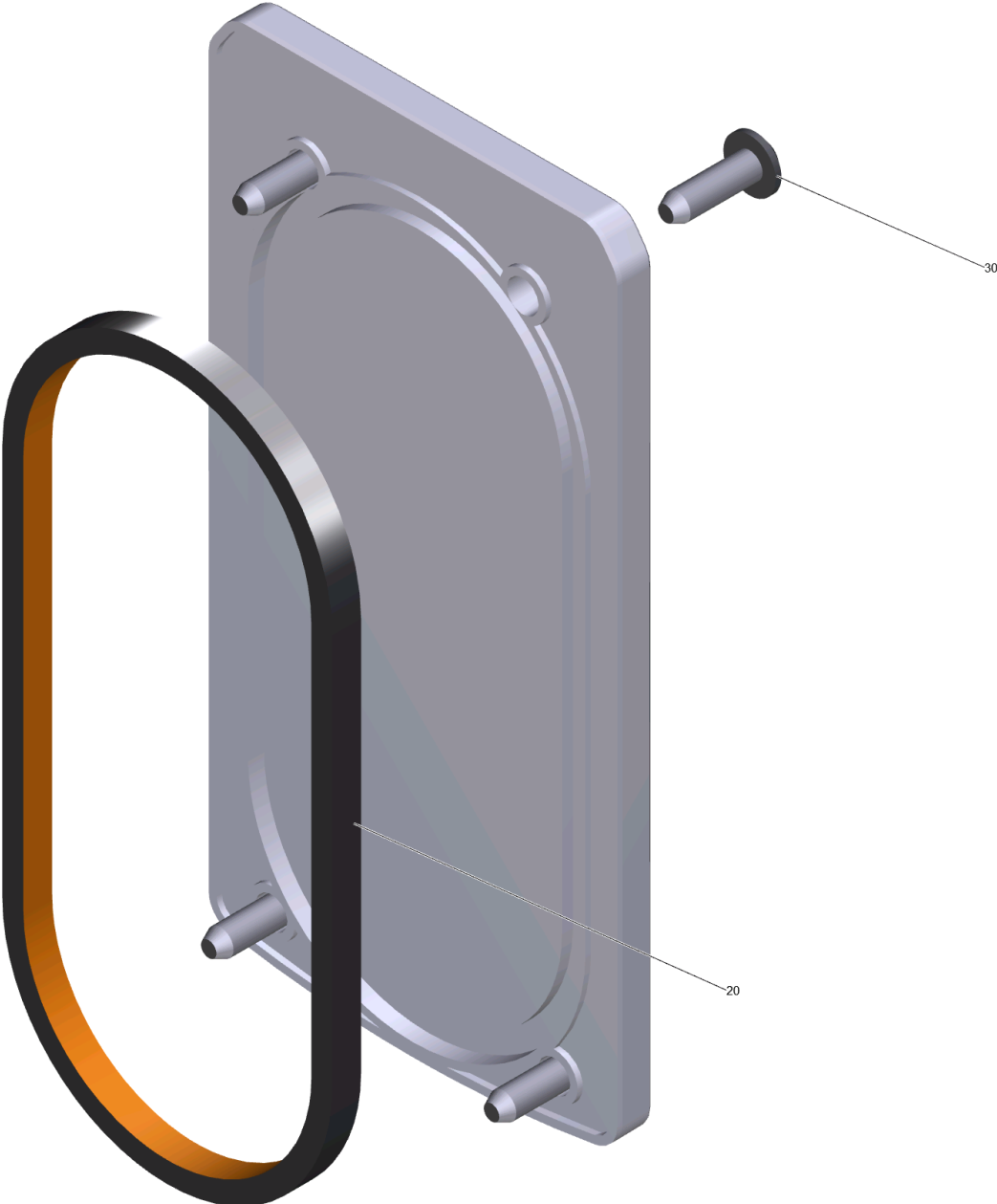


210 Drain hose with cover PU (4.035-285.0)

POS	Article no.	Description	Quantity	Unit
20	5.036-249.0	Cover plate drain hose yellow PU	1	PC

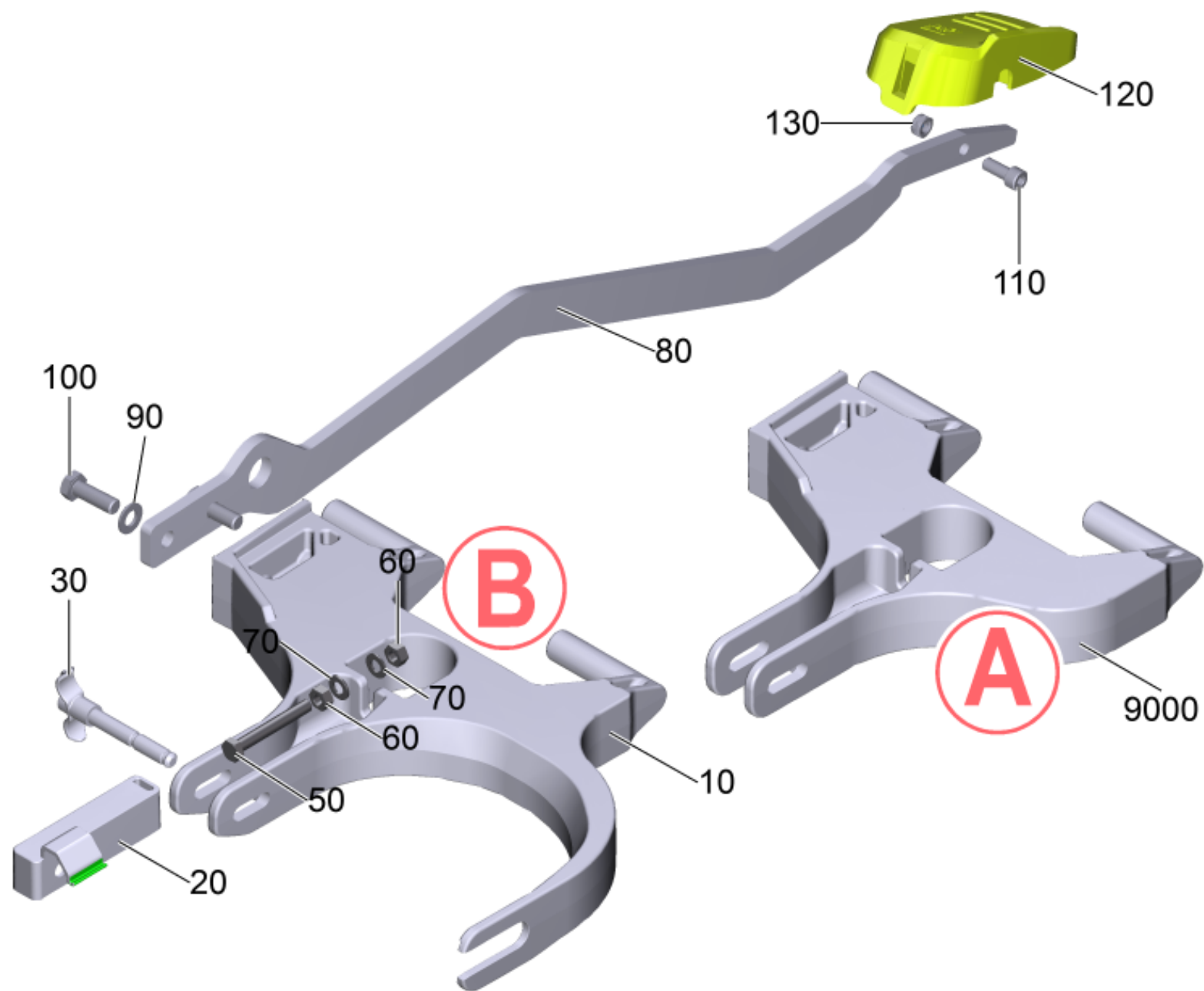
290 Screen filling system (4.035-370.0)

POS	Article no.	Description	Quantity	Unit
10	4.035-370.7	Screen filling system	1	PC



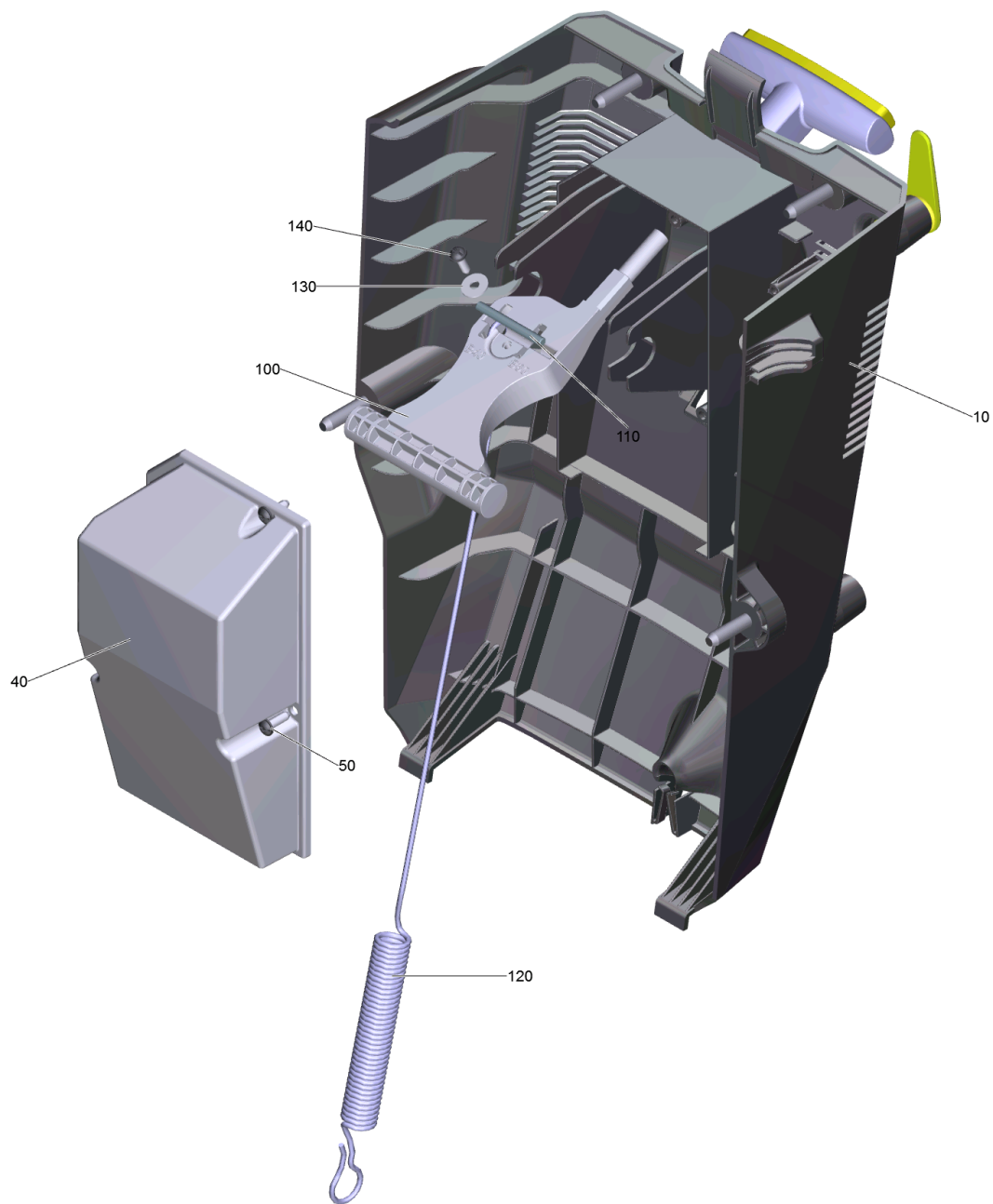
10 Screen filling system (4.035-370.7)

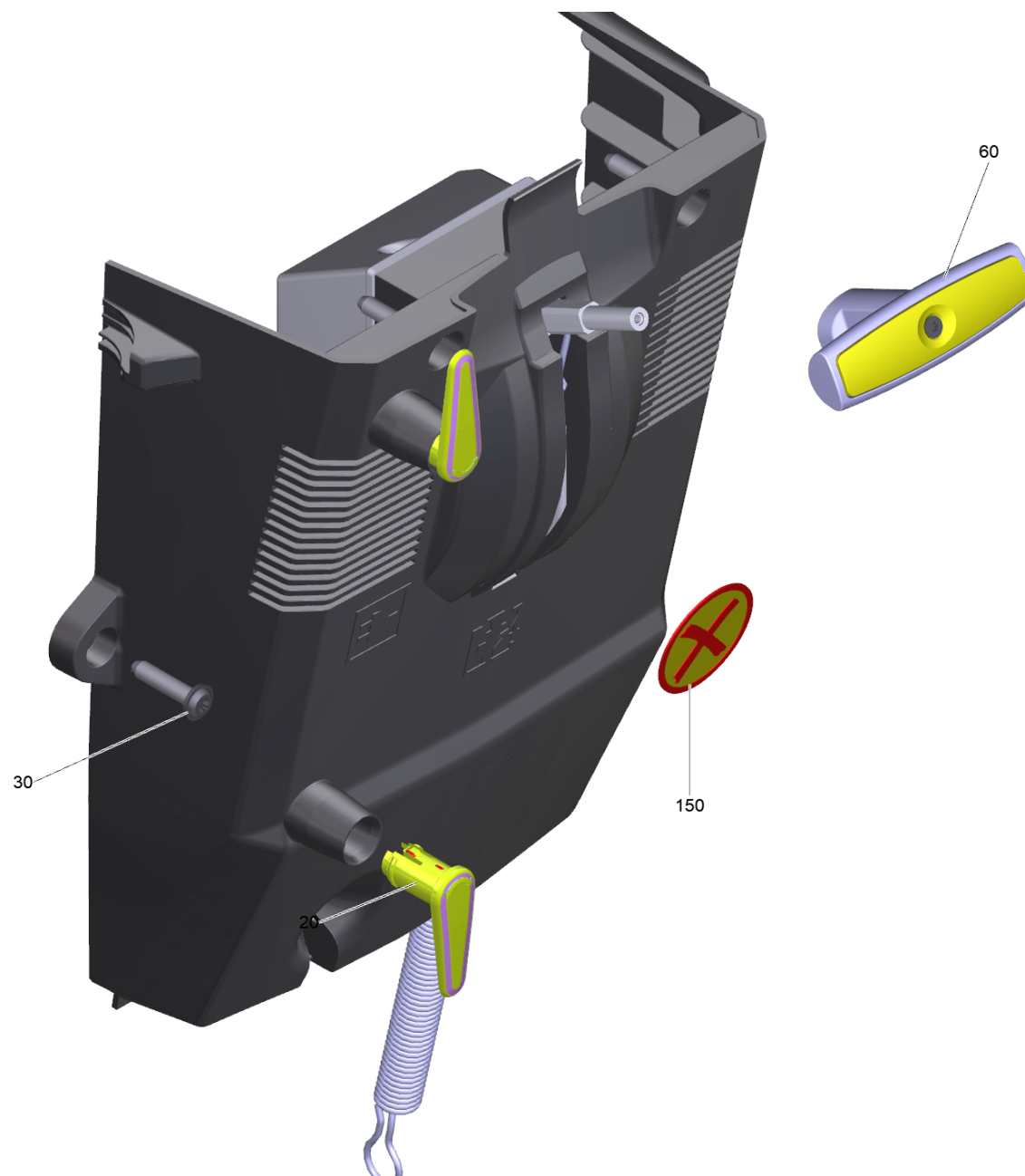
POS	Article no.	Description	Quantity	Unit
20	5.035-418.0	Seal fixing plate	1	PC
30	7.303-107.0	Screw 5x16 -10.9-P2R (K-In6Rd)	4	PC



50 Suspension brush-head complete

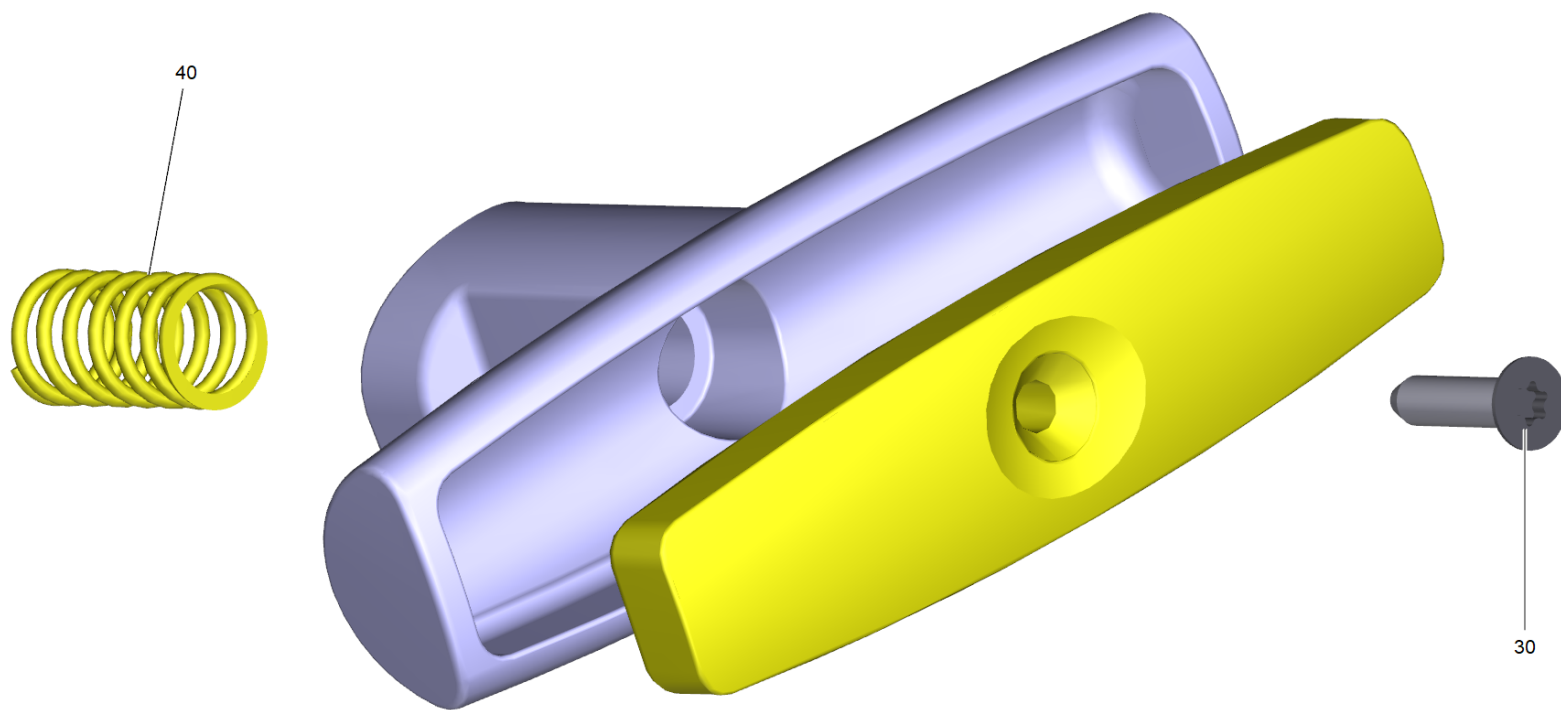
POS	Article no.	Description	Quantity	Unit	Foot note text
10	5.035-675.0	Suspension brush-head triple	1	PC	VERSION B
20	5.035-377.0	Adjusting element brush-head	1	PC	
30	5.035-865.0	Handhold bolt brush-head	1	PC	
50	7.304-262.0	Hexagonal head screw M8x60-A4-70 ISO 40	1	PC	
60	7.311-068.0	Hexagon nut M 8-A2-70 ISO 4032	2	PC	
70	7.312-004.0	Washer 8 -200HV-A3E ISO 7089	2	PC	
80	5.035-370.0	Lever plate brush-head	1	PC	
90	7.312-005.0	Washer 10-200HV-A3E ISO 7089	2	PC	
100	7.304-417.0	Hexagonal head screw M10x30-8.8-A3E ISO	2	PC	
110	7.306-041.0	Cylinder head screw M8x20 -8.8-A2E ISO	1	PC	
120	5.035-374.0	Pedal brush-head	1	PC	
130	7.311-432.0	Hexagon nut M 8-1.4305 DIN 985	1	PC	
9000	2.882-733.0	Conversion kit suspension brush-head B40	1	PC	VERSION A





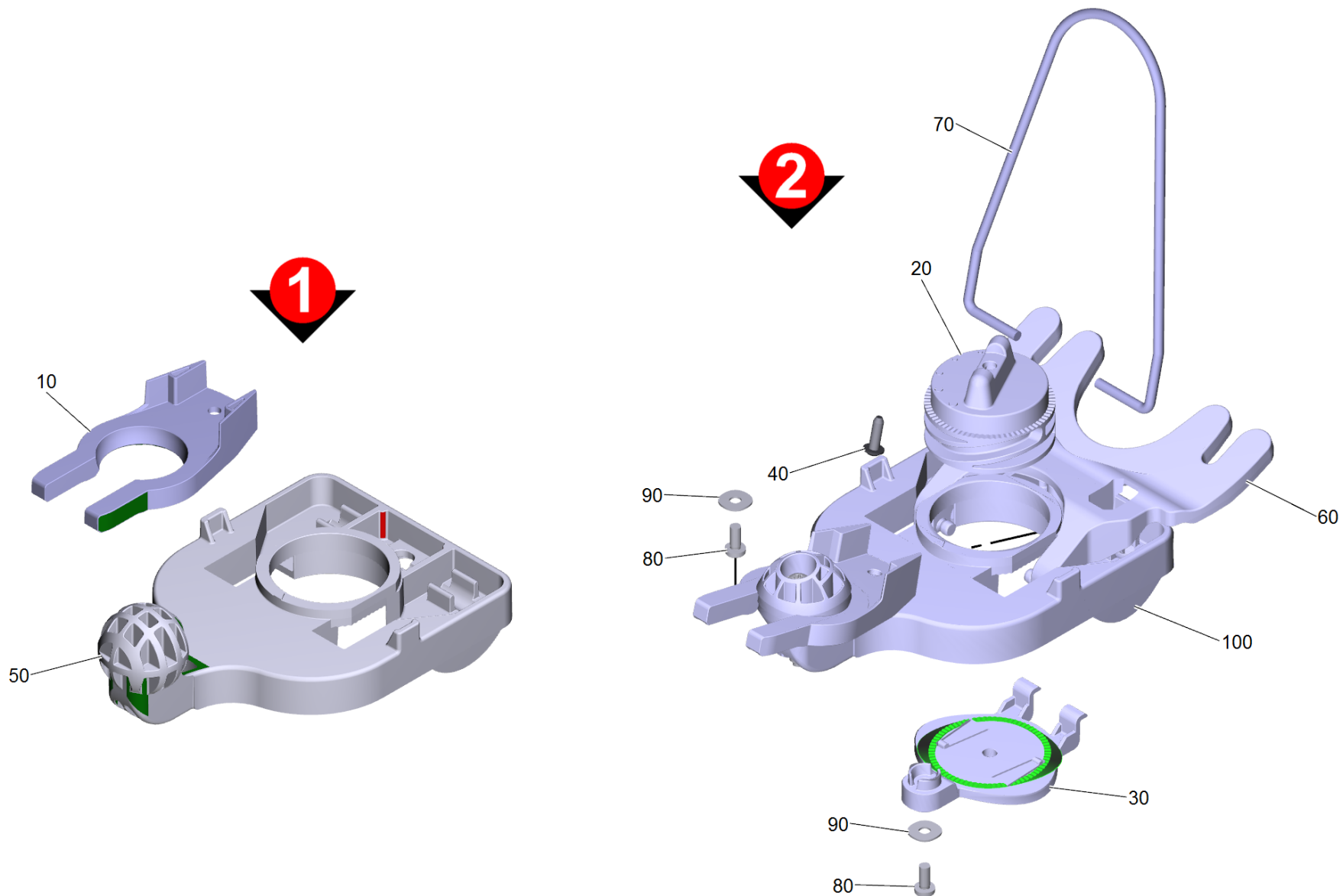
80 Covering cap rear complete

POS	Article no.	Description	Quantity	Unit
10	5.035-366.0	Covering cap	1	PC
20	5.044-661.0	Catch for cable yellow	2	PC
30	6.303-315.0	Screw 8 x 35	4	PC
40	5.035-446.0	Cover covering cap rear	1	PC
50	7.303-107.0	Screw 5x16 -10.9-P2R (K-In6Rd)	3	PC
60	4.035-612.0	Set handhold adjustment	1	PC
100	5.035-445.0	Lever suction bar	1	PC
110	5.035-453.0	Axle lever suction bar	1	PC
120	5.035-423.0	Extension spring	1	PC
130	7.312-282.0	Washer 5 -A2 ISO 7093-1	1	PC
140	7.303-107.0	Screw 5x16 -10.9-P2R (K-In6Rd)	1	PC
150	5.380-889.0	Warning sign BR-BD 750	1	PC



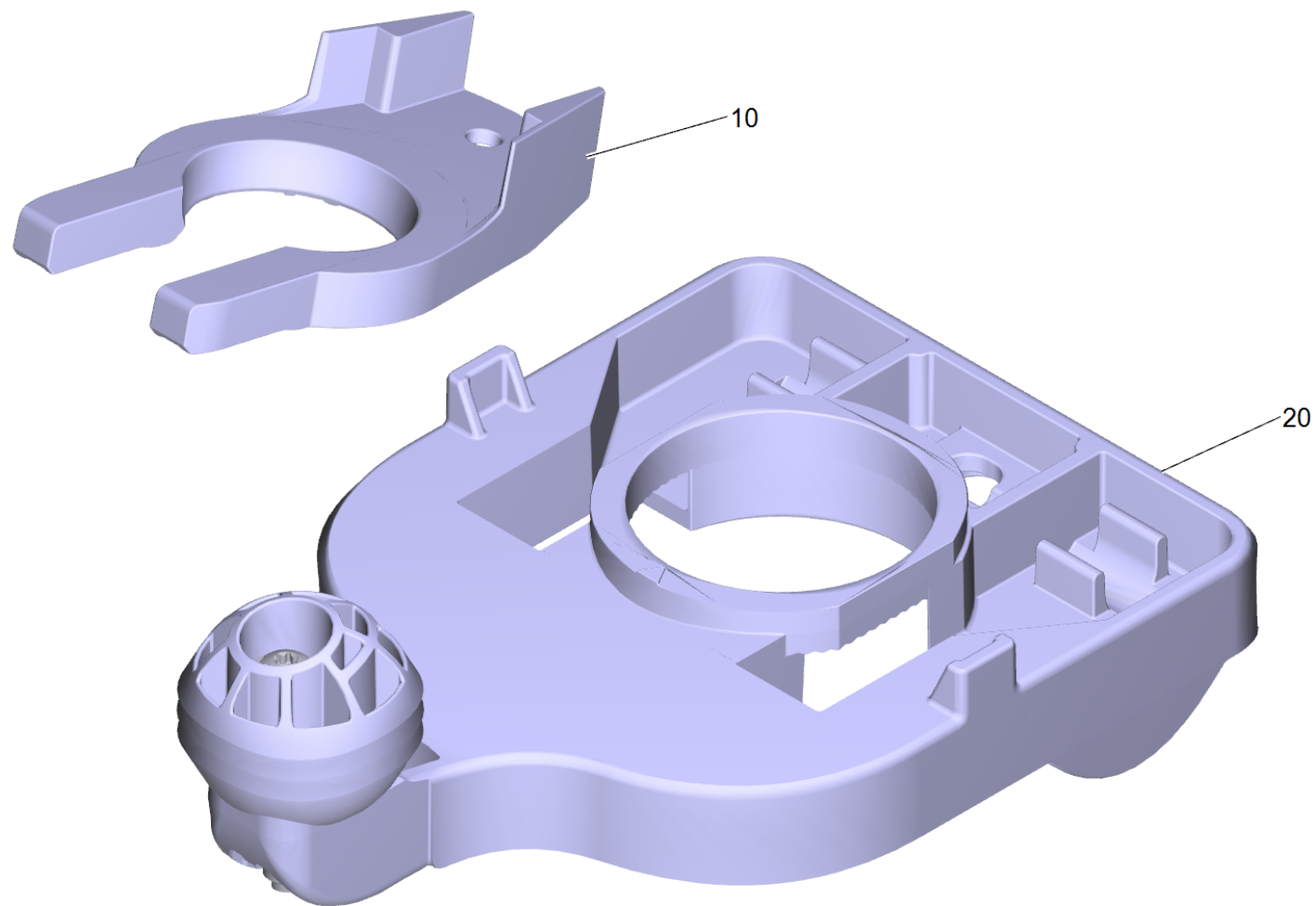
60 Set handhold adjustment (4.035-612.0)

POS	Article no.	Description	Quantity	Unit
30	7.303-128.0	Countersunk screw 5x20 -10.9-R2R (In6Rd)	1	PC
40	5.332-481.0	Helical spring	1	PC



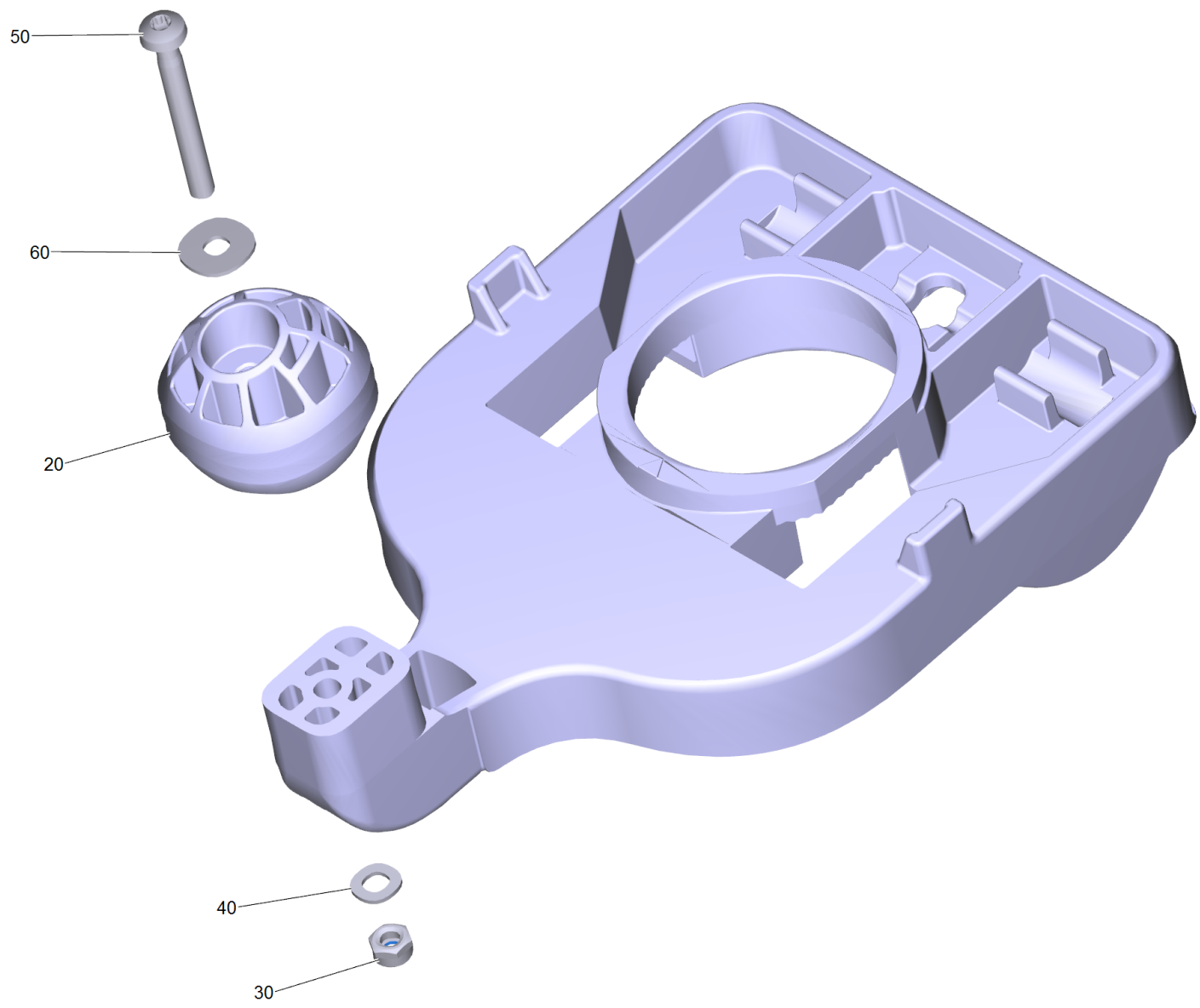
90 Suction bar lifting complete

POS	Article no.	Description	Quantity	Unit	Foot note text
10	7.777-999.0	Stockpiling discontinued	1	PC	VERSION 1
20	5.035-292.0	Adjusting knob suction bar tothing	1	PC	
30	5.035-293.0	Covering cap suction bar tothing	1	PC	
40	7.303-109.0	Screw 5x25 -10.9-R2R (In6Rd)	1	PC	
50	7.777-999.0	Stockpiling discontinued	1	PC	VERSION 1
60	5.036-103.0	Rocker suction bar	1	PC	
70	5.035-382.0	Retaining bracket suction bar	1	PC	
80	6.306-003.0	Screw M5X12-A2/70-ISO 14583 (IN6RD)	2	PC	with microencapsulation
90	7.312-282.0	Washer 5 -A2 ISO 7093-1	2	PC	
100	4.035-583.0	Holder suction bar complete	1	PC	VERSION 2



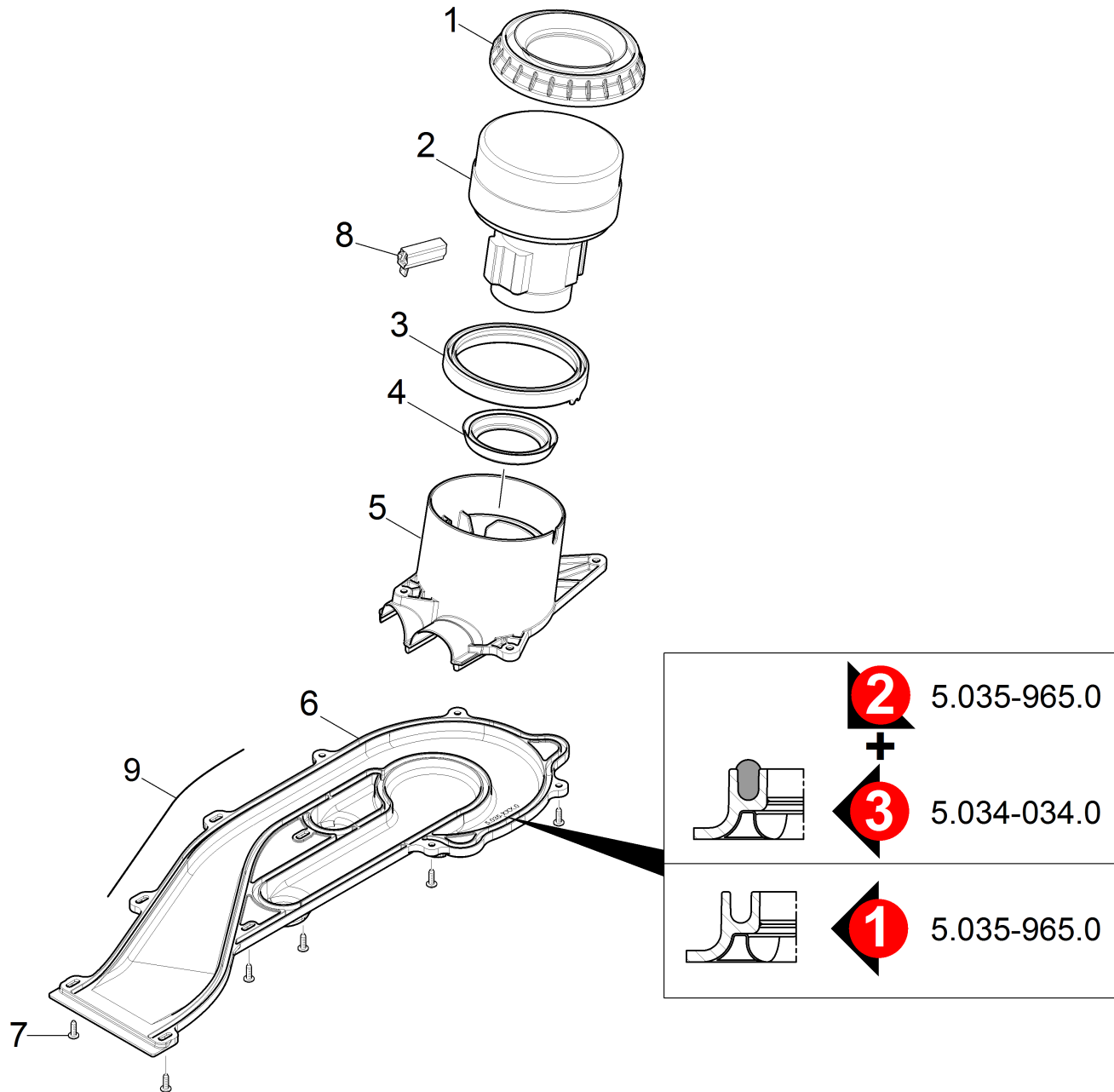
100 Holder suction bar complete (4.035-583.0)

POS	Article no.	Description	Quantity	Unit
10	5.005-005.0	FIXING PLATE SUCTION BAR ALU	1	PC
20	4.037-137.3	Holder suction bar	1	PC



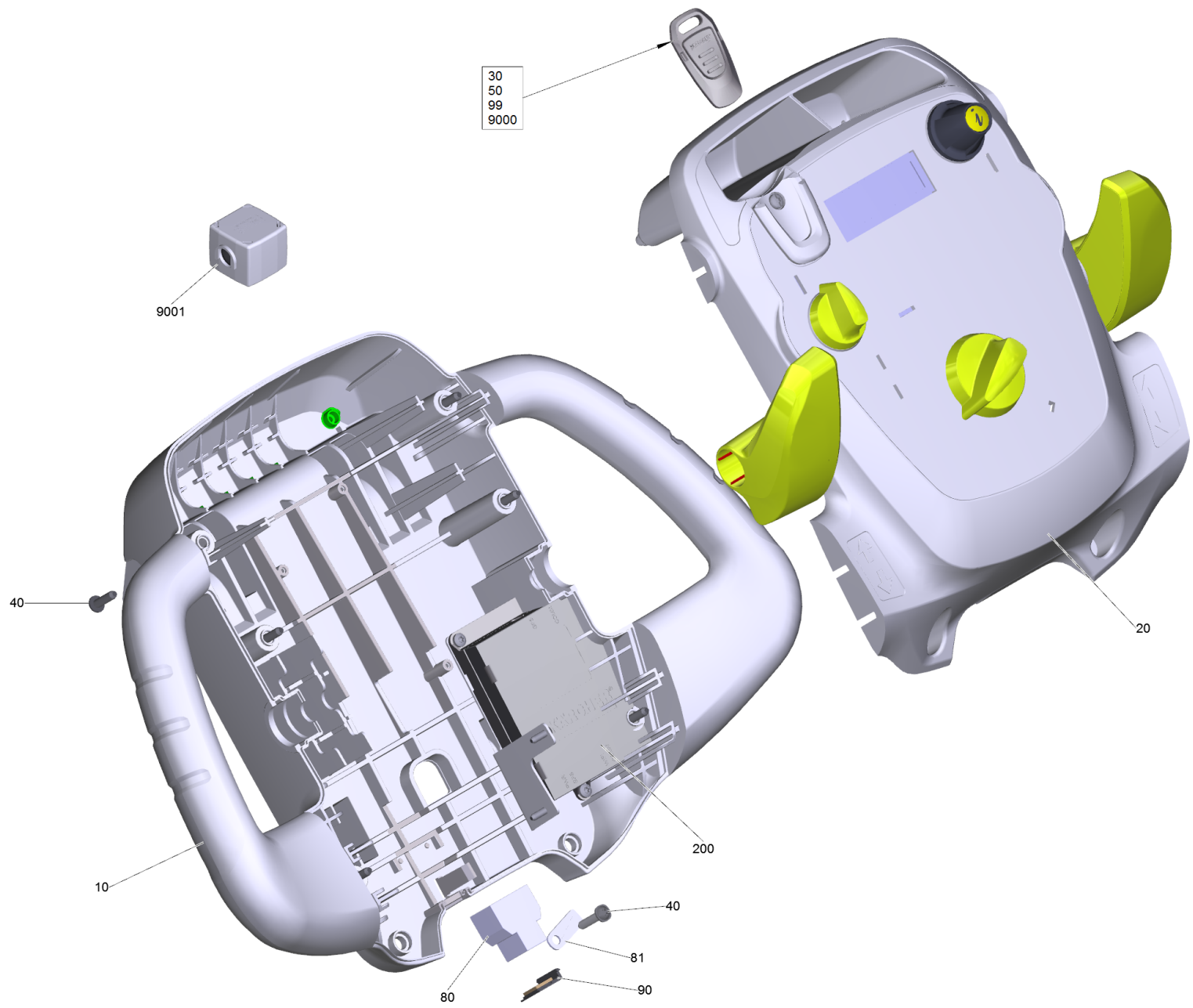
20 Holder suction bar (4.037-137.3)

POS	Article no.	Description	Quantity	Unit
20	5.037-579.0	Sphere suction bar suspension	1	PC
30	7.311-431.0	Hexagon nut M 5-1.4305 DIN 985	1	PC
40	7.312-052.0	Washer 5 -A2 ISO 7089	1	PC
50	7.306-215.0	Screw M5x45 -8.8-P2R (In6Rd)	1	PC
60	7.312-282.0	Washer 5 -A2 ISO 7093-1	1	PC



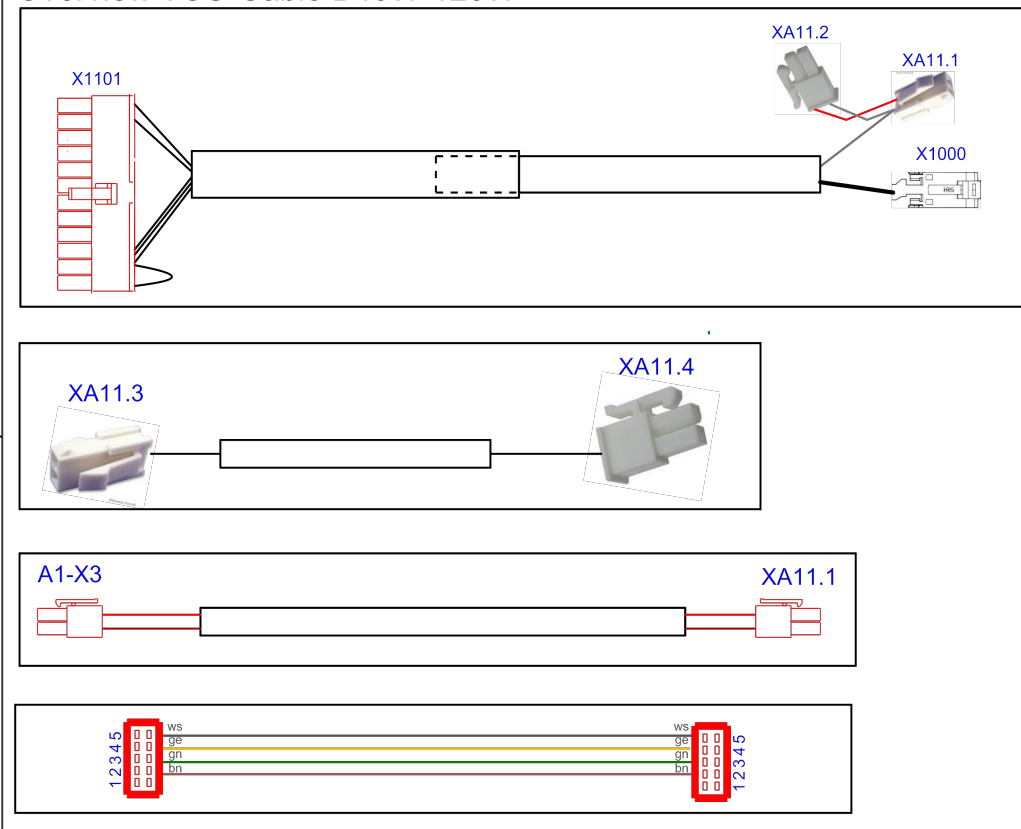
100 Vacuum motor

POS	Article no.	Description	Quantity	Unit	Remark	Foot note text
1	5.035-333.0	Bearing vacuum motor	1	PC		
2	4.035-580.0	Vacuum motor replacement	1	PC		
3	5.035-332.0	Joint ring turbine	1	PC		
4	5.363-395.0	Seal	1	PC		
5	5.034-032.0	Air circulation turbine bottom	1	PC		VERSION 2
5	5.035-964.0	Air circulation bottom turbine	1	PC		VERSION 1
6	4.034-009.0	Air circulation turbine replacement	1	PC		VERSION 2
6	5.034-034.0	Air circulation turbine above foamed	1	PC		VERSION 3
6	7.777-999.0	Stockpiling discontinued	1	PC		VERSION 1
7	7.303-107.0	Screw 5x16 -10.9-P2R (K-In6Rd)	8	PC		
8	6.490-011.0	Carbon brush set	1	PC	24 V	
9	6.273-196.0	Seal string cellular rubber	1	m		TO ORDER AS CUT GOODS



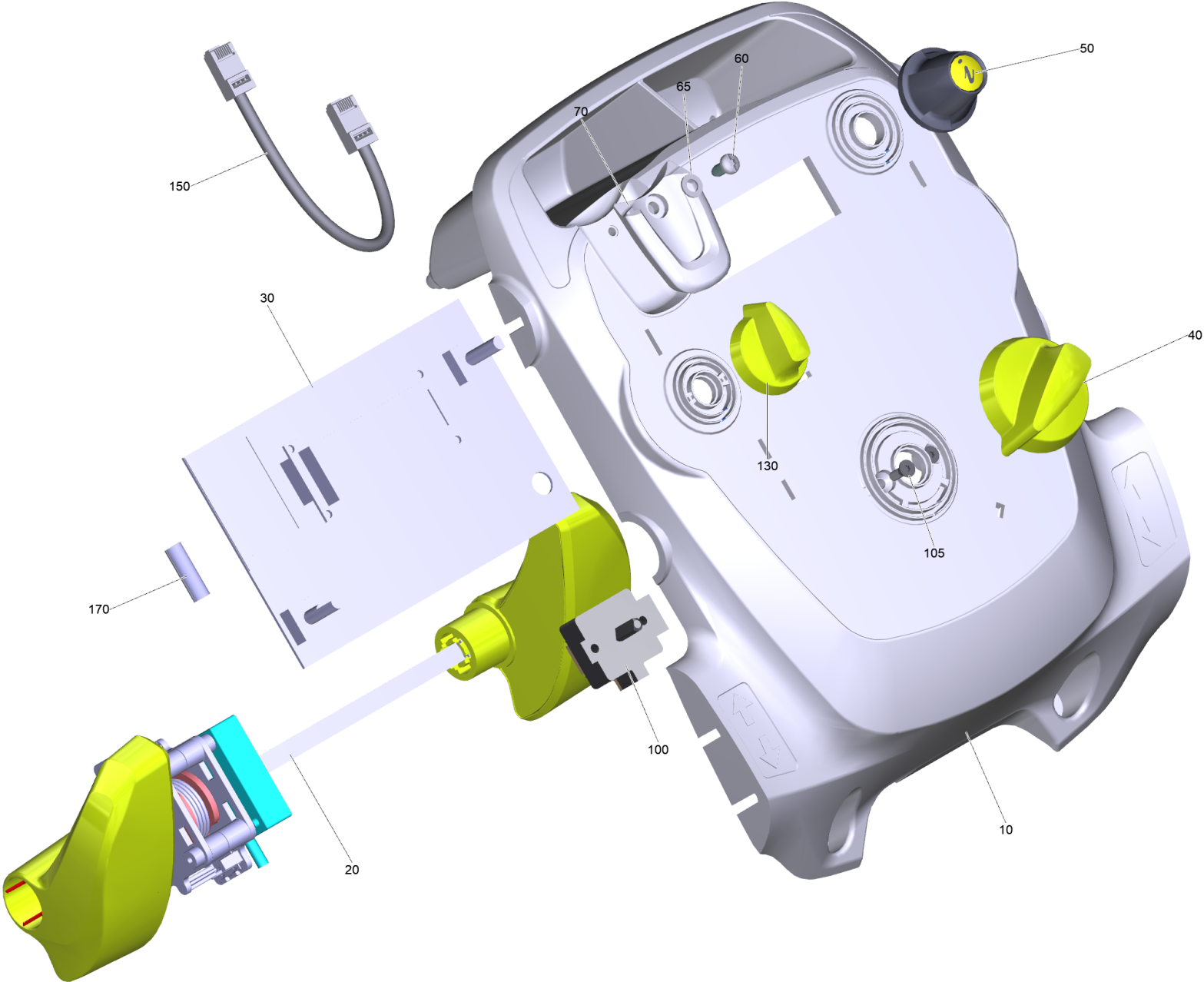
Übersicht TCU-Kabel B40W-120W
 Overview TCU-Cable B40W-120W

60



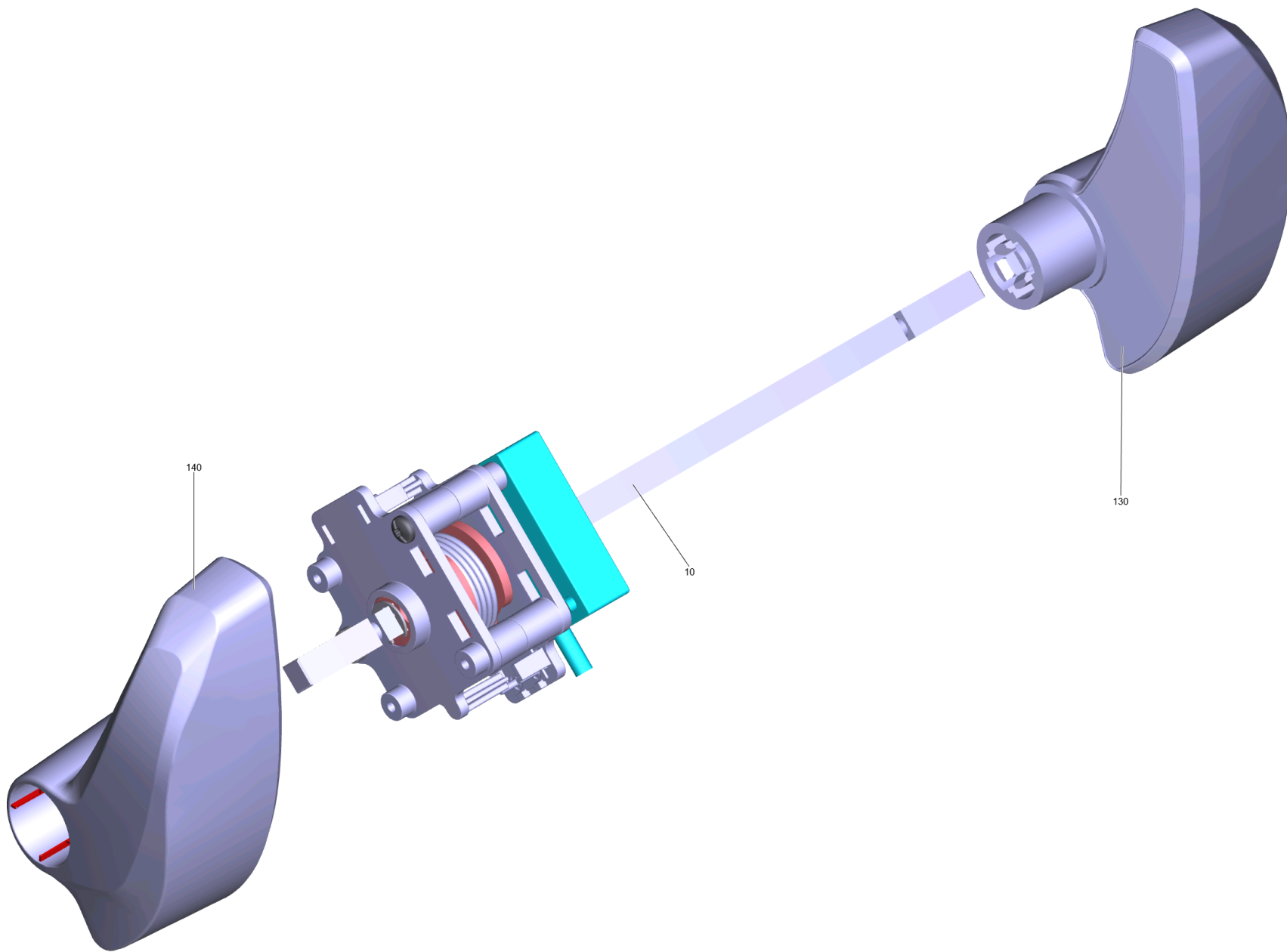
20 Control panel complete 40W Bp Fleet EU

POS	Article no.	Description	Quantity	Unit	Foot note text
10	4.035-131.0	Housing control panel replacement Bp W	1	PC	
10	5.035-219.0	Housing bottom part control panel	1	PC	
20		Covering cap control panel complete BAT	1	PC	
30	5.035-344.0	Key yellow KIK	1	PC	
40	7.303-108.0	Screw 5x20 -10.9-R2R (In6Rd)	7	PC	
50	5.035-348.0	Key grey KIK	1	PC	
60	4.822-986.0	False group cable harness overview B40/60/80/120	1	PC	
80	6.330-111.0	Adapter RJ45 Y-Splitter	1	PC	
81	5.035-196.0	Plate stiffener	1	PC	VERSION 2
90	5.033-829.0	Rubber stopper control panel	1	PC	
99	5.035-337.0	Key red KIK	1	PC	
200	2.644-094.0	KAERCHER reversion kit Fleet Services EU* B40-B120 CAN	1	PC	
9000	4.035-064.0	Set key white KIK	1	PC	SET WITH 5 PIECES
9000	4.035-076.0	Key white KIK	1	PC	
9001	6.574-216.0	Ferrite core	1	PC	



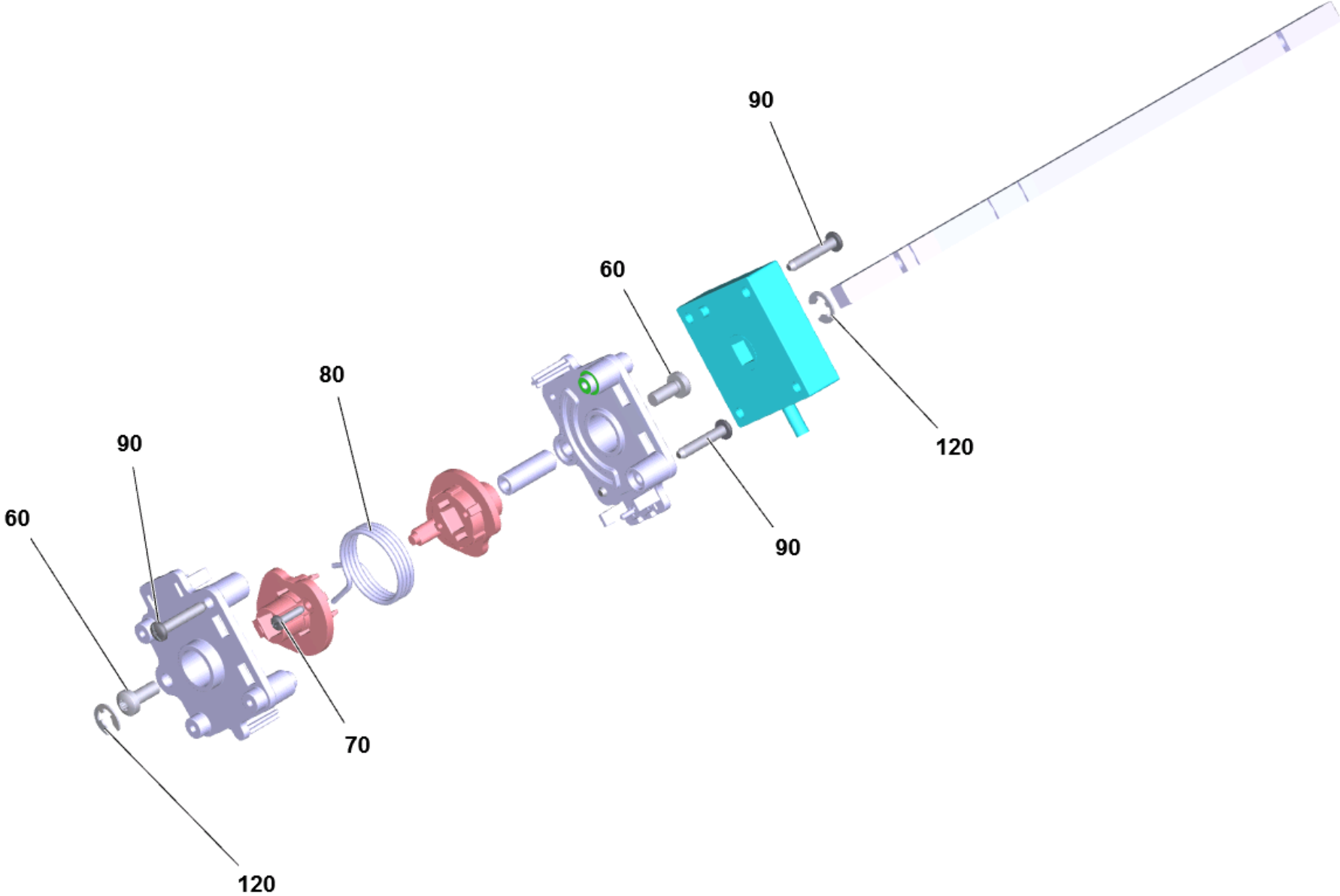
20 Covering cap control panel complete BAT

POS	Article no.	Description	Quantity	Unit	Foot note text
10	4.035-118.0	Covering cap control panel replacement B	1	PC	WITH SLOT FOR 5.033-829.0
10	4.035-413.0	Covering cap control panel foil Bp W	1	PC	WITHOUT SLOT FOR 5.033-829.0
20	4.035-000.0	Tachograph complete	1	PC	
30	4.683-311.3	Circuit board replacement W	1	PC	
40	4.035-608.0	Handhold operational concept complete	1	PC	
50	5.321-750.0	Handhold info panel	1	PC	
60	7.303-274.0	Screw 5x12 -A2-70 (In6Rd)	1	PC	
65	7.312-052.0	Washer 5 -A2 ISO 7089	1	PC	
70	5.035-343.0	Guide key	1	PC	
100	4.035-415.0	Switch program selection replacement	1	PC	
105	7.305-036.0	Countersunk screw M4x12 -A2-70-s (IN6RD	2	PC	
130	5.035-437.0	Rotary controller	1	PC	
150	6.649-933.0	Cable Patch	1	PC	
170	6.388-958.0	Hose	1	m	TO ORDER AS CUT GOODS



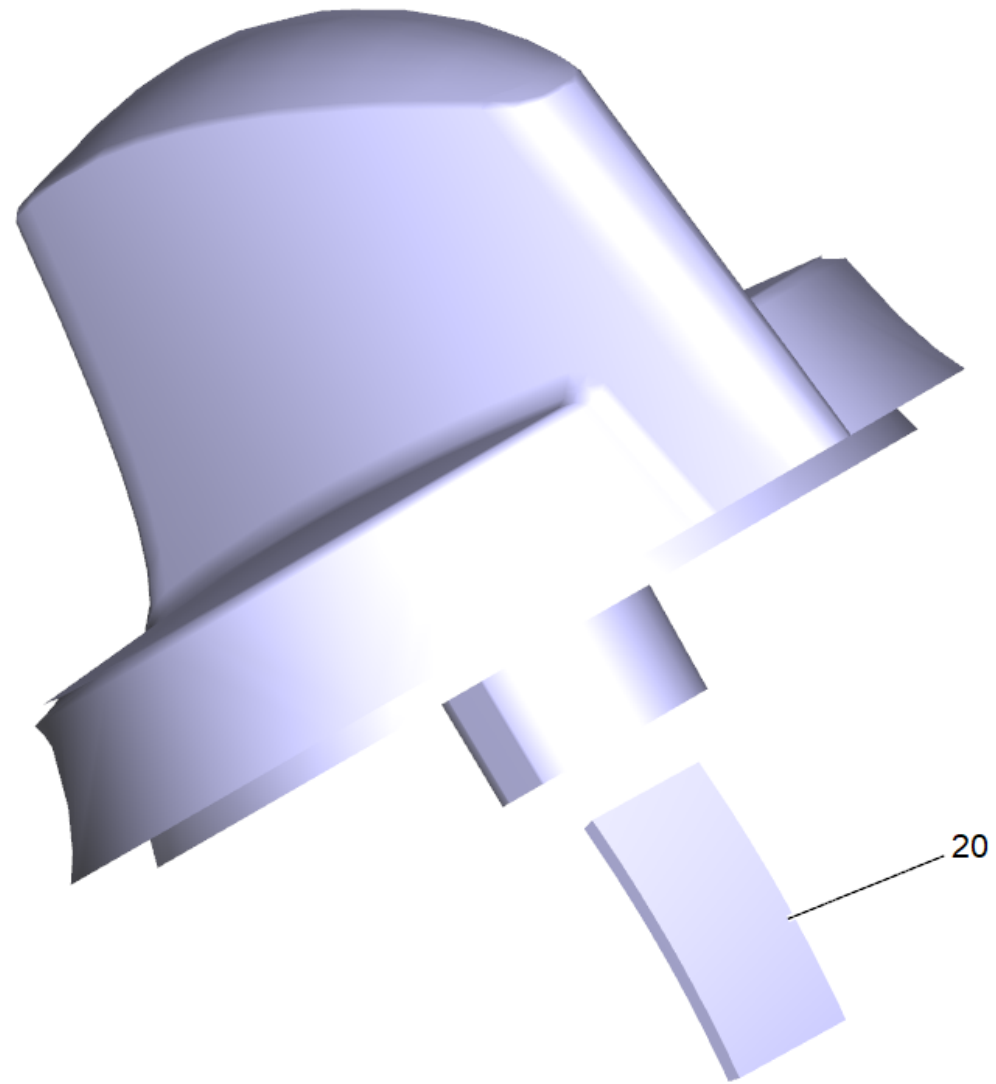
20 Tachograph complete (4.035-000.0)

POS	Article no.	Description	Quantity	Unit
10	4.035-002.0	Tachograph set	1	PC
130	4.035-495.0	Tachograph right complete	1	PC
140	4.035-496.0	Tachograph left complete	1	PC



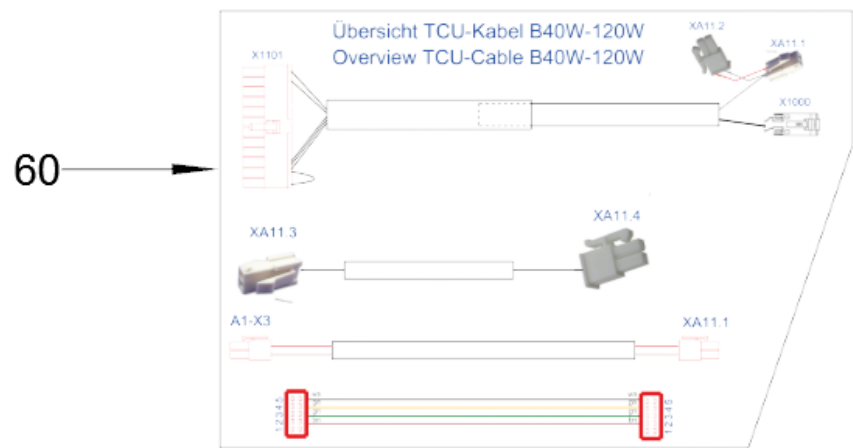
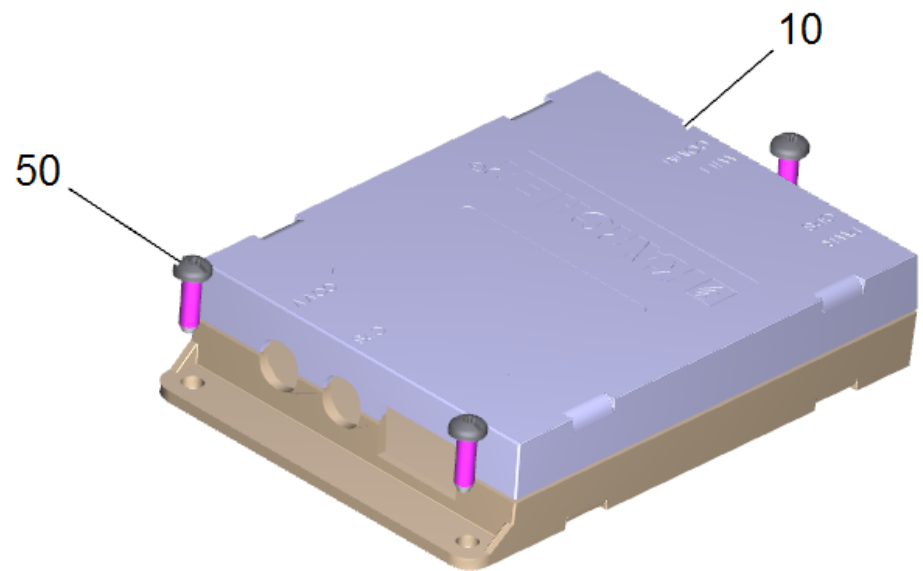
10 Tachograph set (4.035-002.0)

POS	Article no.	Description	Quantity	Unit
60	7.306-394.0	Screw M5x12 -8.8-ZNBHL ISO 14583	2	PC
70	6.303-557.0	Screw 3x12 Kombitorx T8	2	PC
80	6.330-441.0	Torsion spring tachograph	1	PC
90	7.303-096.0	Screw 4x22-ST-10.9-R2R (IN6RD)	4	PC
120	7.343-201.0	Lock washer 6-FST-PHR DIN 6799	2	PC



40 Handhold operational concept complete (4.035-608.0)

POS	Article no.	Description	Quantity	Unit
20	6.313-014.0	Spring element	1	PC

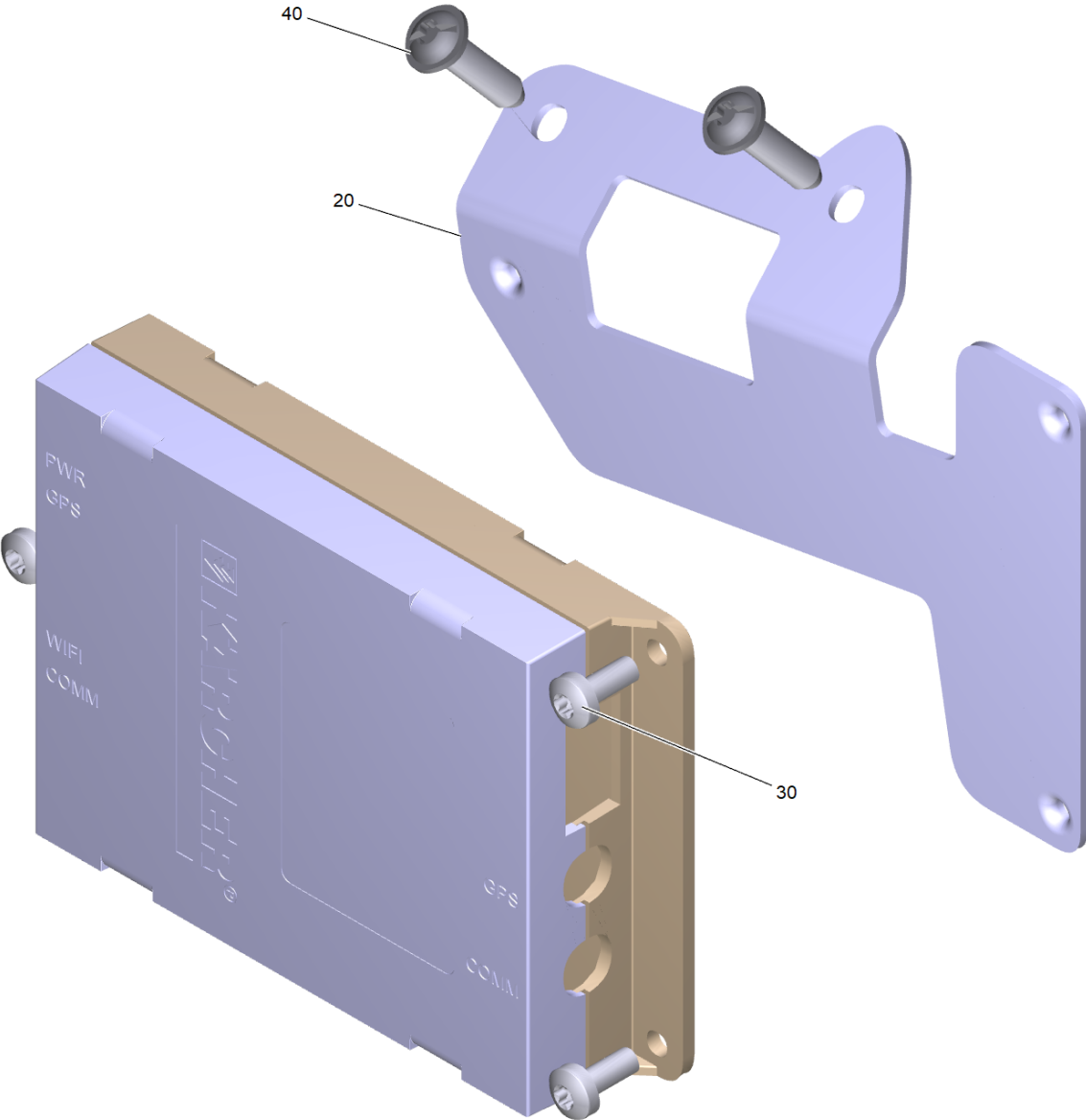


200 KAERCHER reversion kit Fleet Services EU* B40-B120 CAN (2.644-094.0)

POS	Article no.	Description	Quantity	Unit
10	2.644-213.0	Kaercher Fleet services B110R	1	PC
50	7.303-102.0	Screw 3,5x12 -A2-70-bk (In6Rd)	3	PC
60	4.822-986.0	False group cable harness overview B40/60/80/120	1	PC

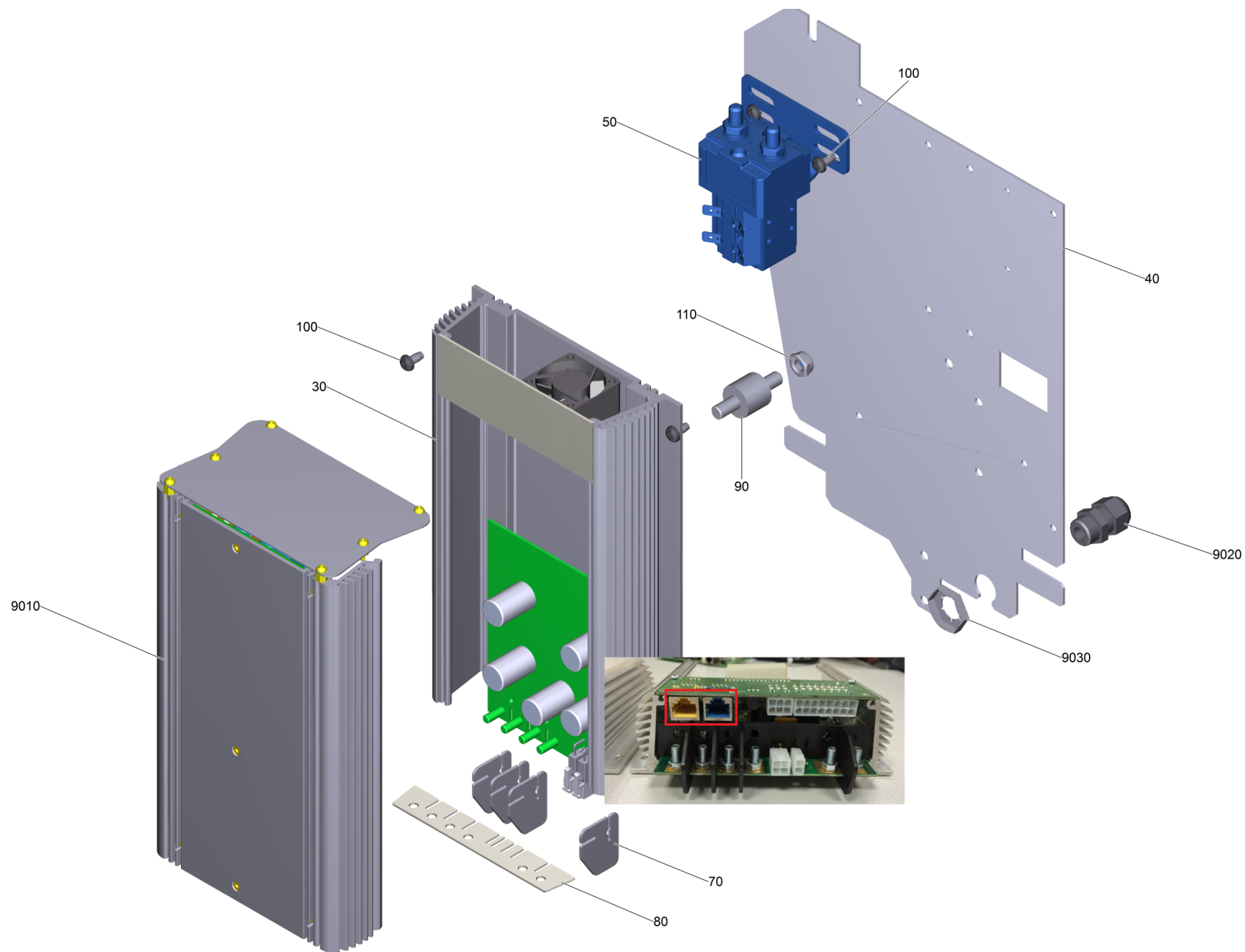
10 Kaercher Fleet services B110R (2.644-213.0)

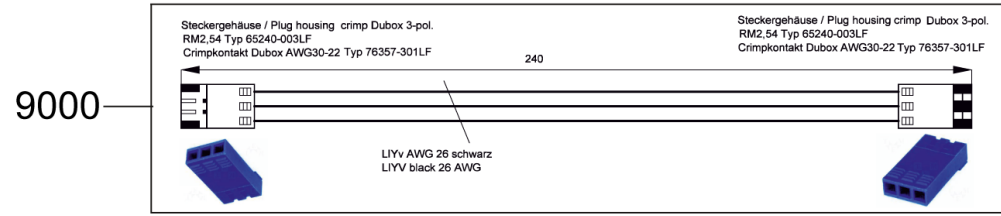
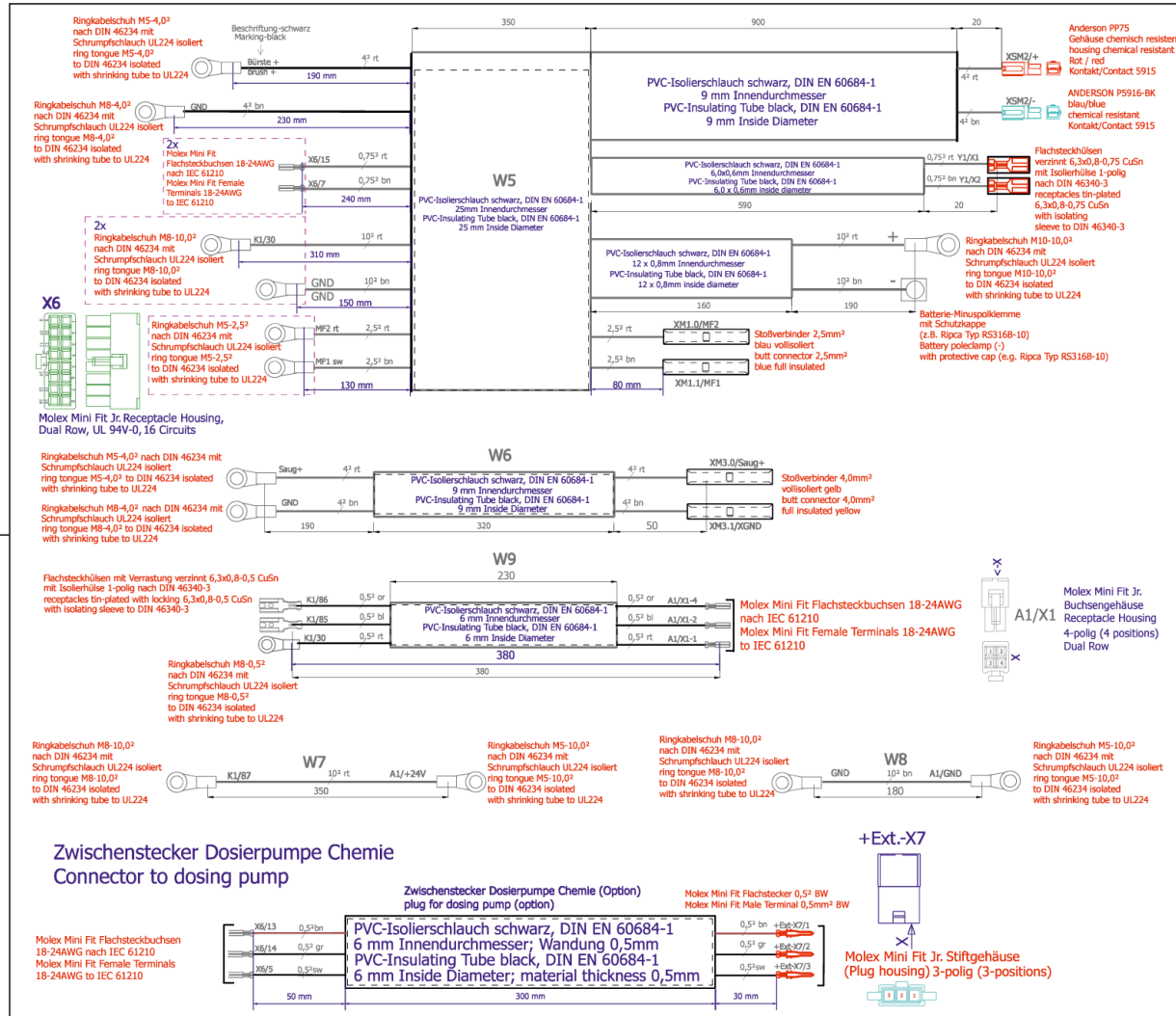
POS	Description	Quantity	Unit
10	Kaercher Fleet services B110R	1	PC



10 Kaercher Fleet services B110R

POS	Article no.	Description	Quantity	Unit
20	5.039-431.0	Retaining plate fleet management module B110	1	PC
30	7.306-206.0	Screw M4x10 -A2-70 ISO 14583	3	PC
40	7.303-108.0	Screw 5x20 -10.9-R2R (In6Rd)	2	PC

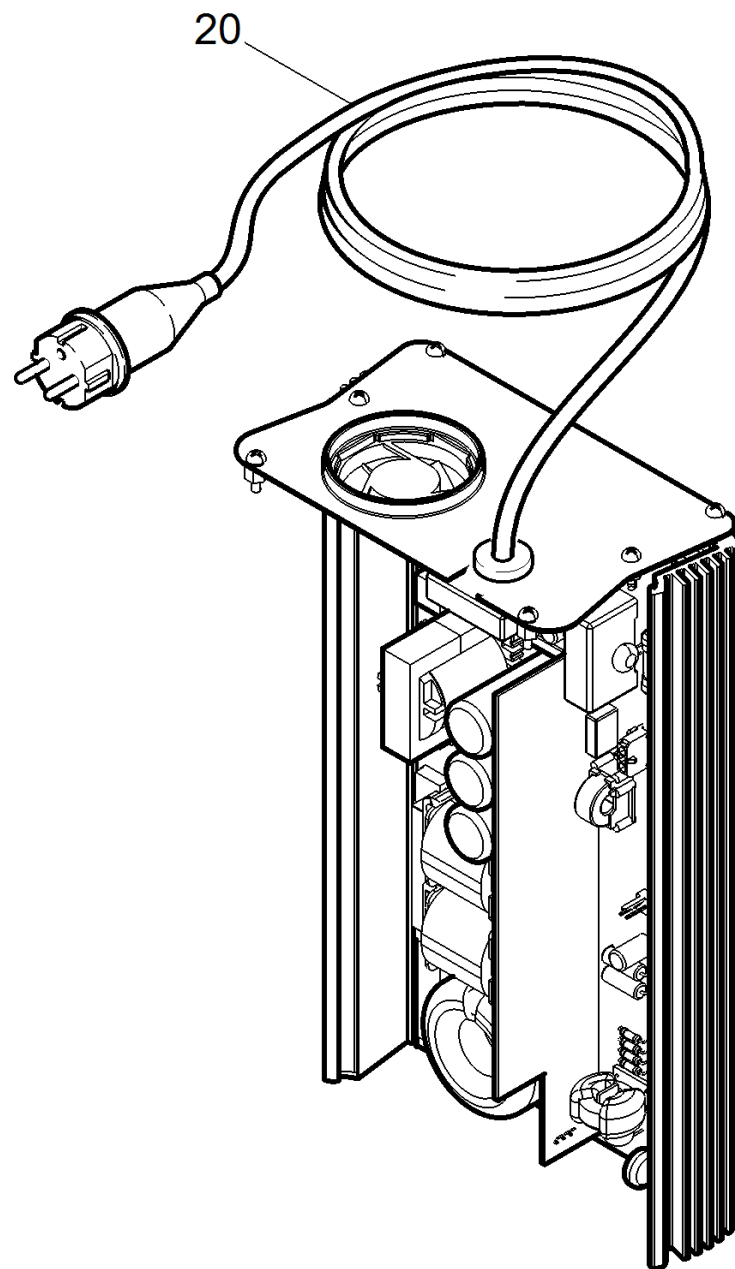




9000

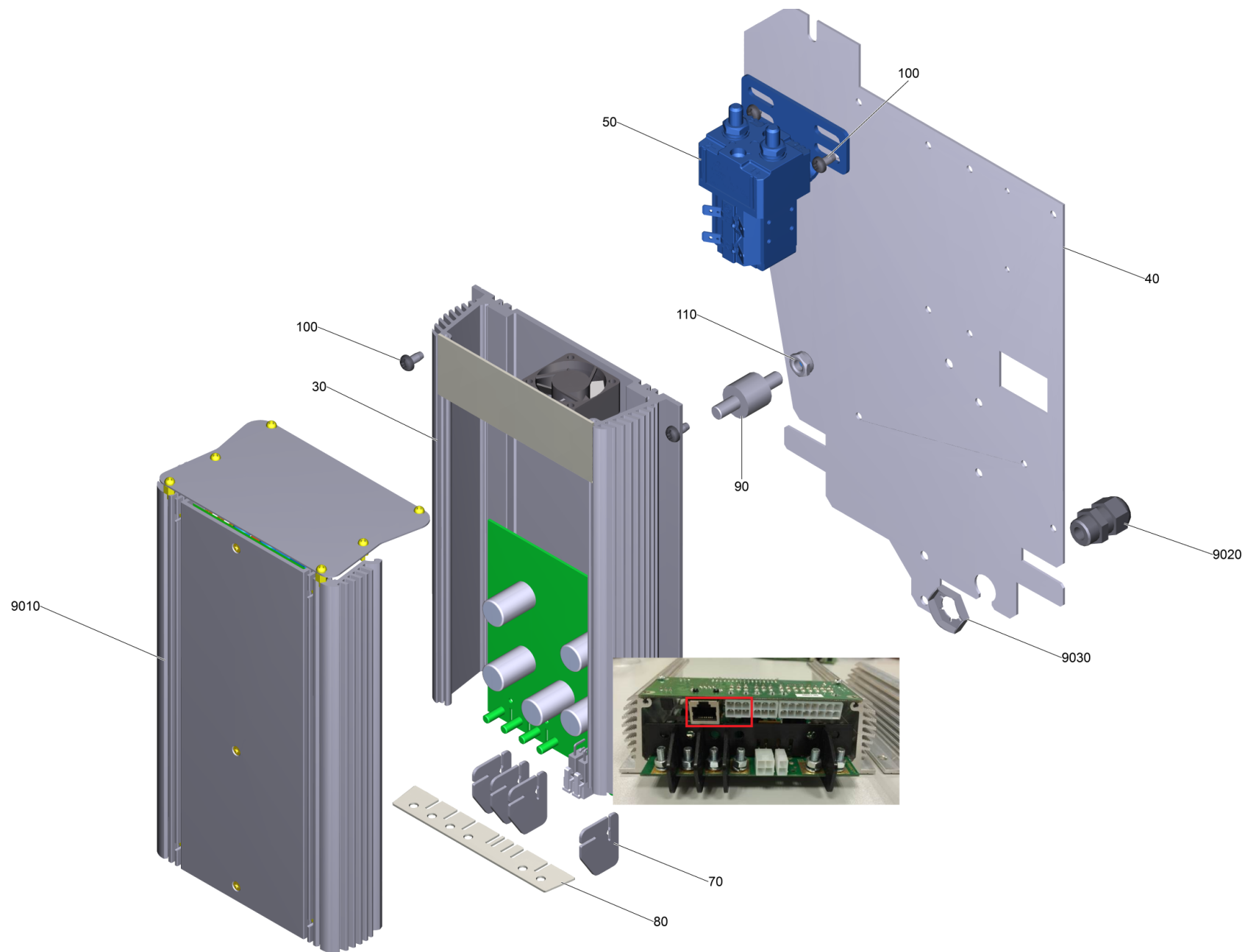
40 Electric equipment B40 W Bp Dose CAN

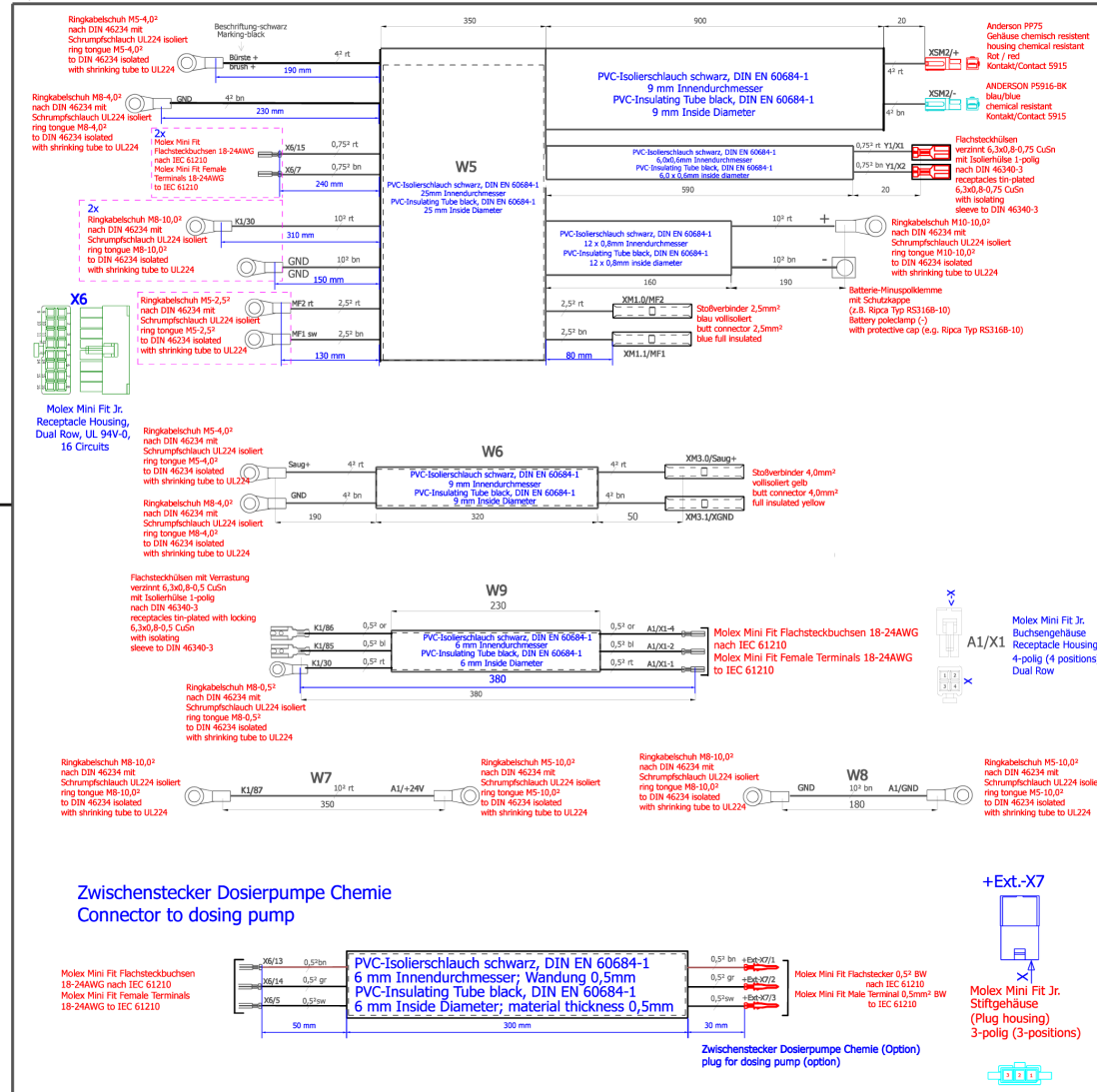
POS	Article no.	Description	Quantity	Unit
10	4.822-900.0	Cable harness B40 W	1	PC
30	4.683-075.0	Electronics control system replacement B	1	PC
40	5.035-449.0	Plate base plate electronics	1	PC
50	4.633-110.0	Relay replacement set	1	PC
70	5.035-359.0	Moulded part plate electronics klein	4	PC
80	5.035-362.0	Moulded part plate electronics	1	PC
90	6.652-033.0	Isolator	1	PC
100	7.303-037.0	Screw M5x10 -St-P2R (In6Rd)	6	PC
110	7.311-427.0	Hexagon nut M8 -04-A2E DIN 985	1	PC
9000	6.645-554.0	Connecting cable control system battery charger	1	PC
9010	6.683-119.0	Battery charger replacement B 40 *EU	1	PC
9020	6.648-399.0	Cable gland black M16x1,5	1	PC
9030	7.777-999.0	Stockpiling discontinued	1	PC



9010 Battery charger replacement B 40 *EU (6.683-119.0)

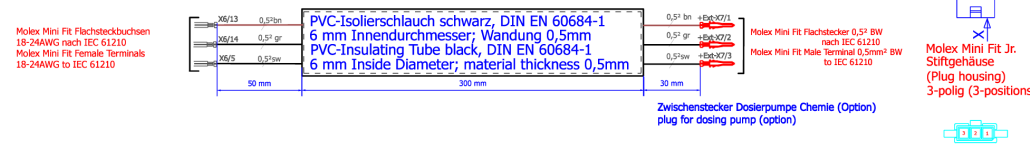
POS	Article no.	Description	Quantity	Unit	Remark
20	6.645-553.0	Cable with plug	1	PC	*EU
20	6.645-586.0	Cable with plug B40-USA	1	PC	*US



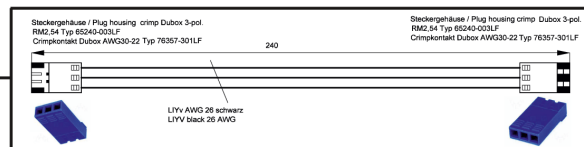


10

Zwischenstecker Dosierpumpe Chemie
Connector to dosing pump

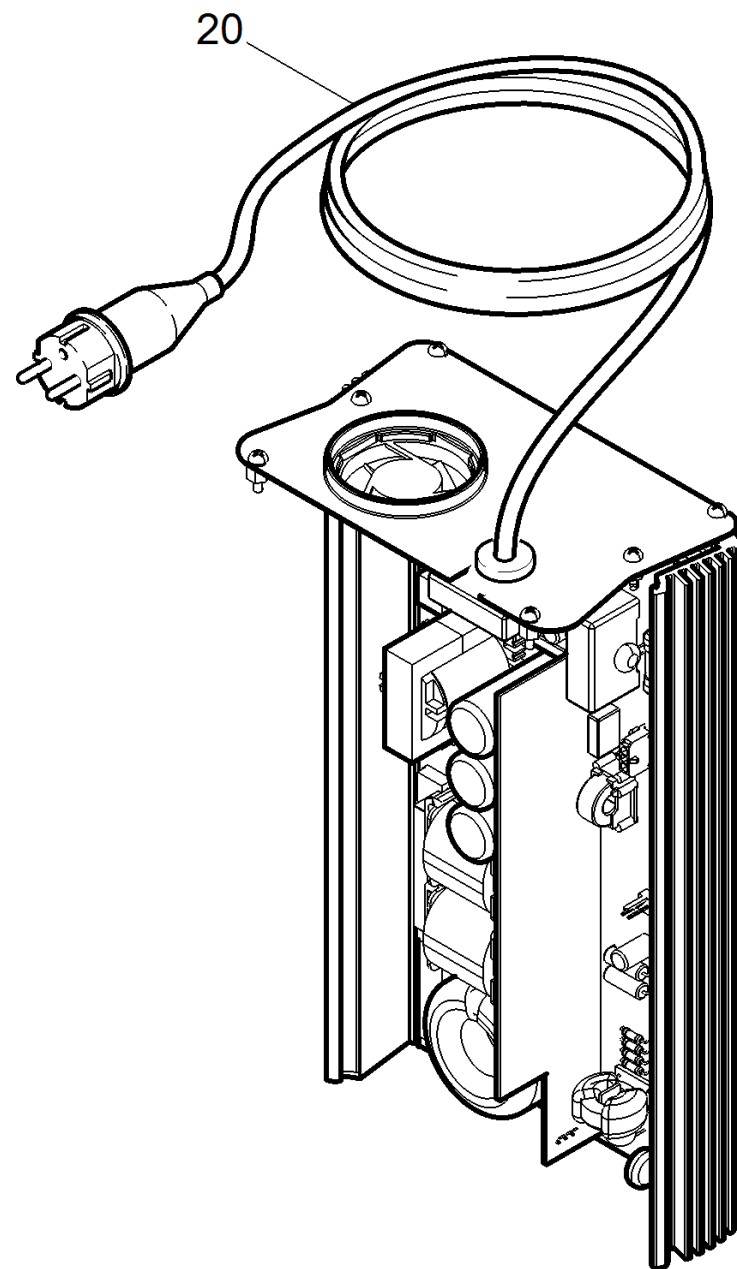


9000



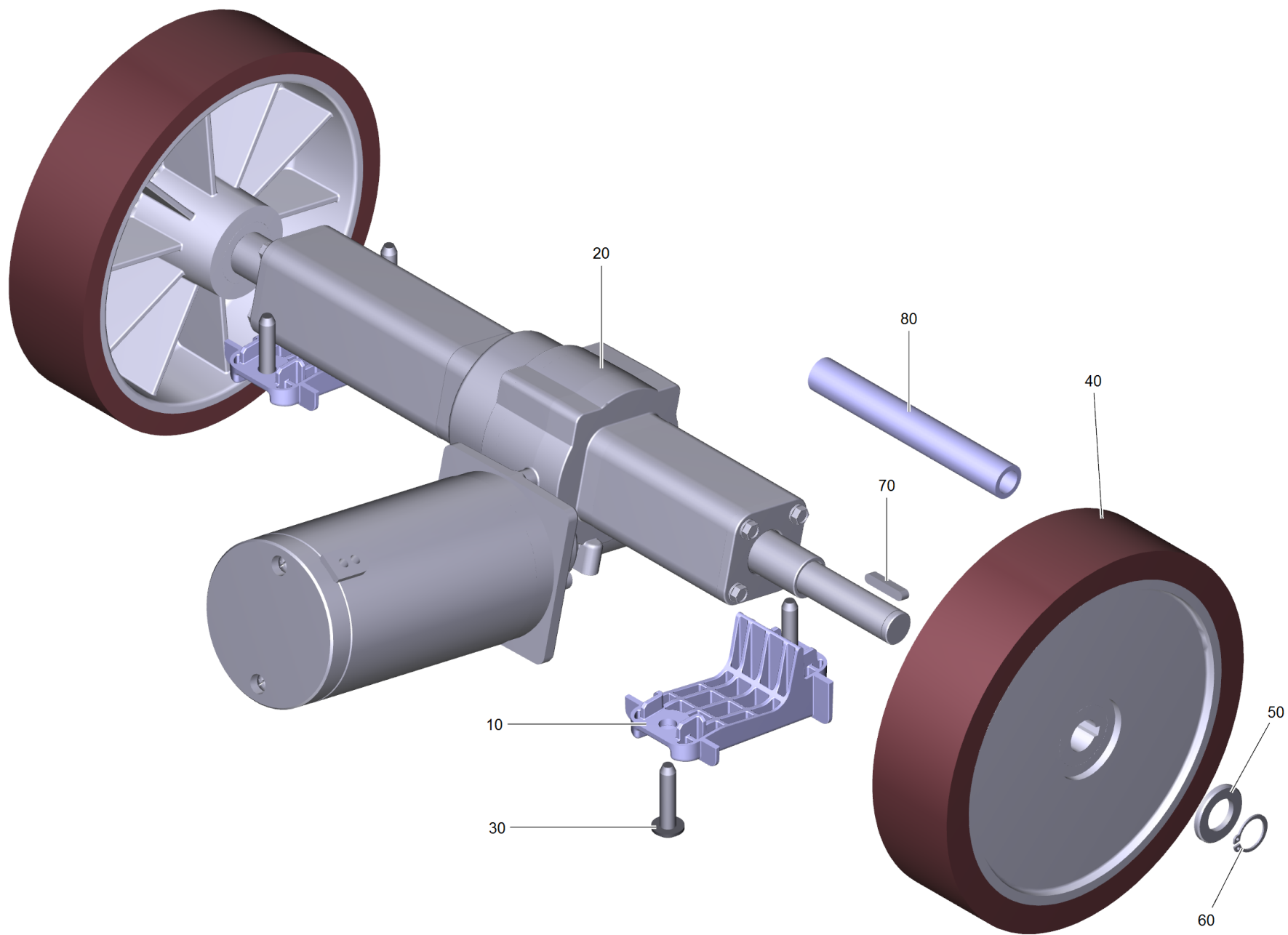
40 Electric equipment B40 W Bp Dose

POS	Article no.	Description	Quantity	Unit
10	4.822-900.0	Cable harness B40 W	1	PC
30	4.683-075.0	Electronics control system replacement B	1	PC
40	5.035-449.0	Plate base plate electronics	1	PC
50	6.633-389.0	Relay 24VDC / 100A	1	PC
70	5.035-359.0	Moulded part plate electronics klein	4	PC
80	5.035-362.0	Moulded part plate electronics	1	PC
90	6.652-033.0	Isolator	1	PC
100	7.303-037.0	Screw M5x10 -St-P2R (In6Rd)	6	PC
110	7.311-427.0	Hexagon nut M8 -04-A2E DIN 985	1	PC
120	6.648-399.0	Cable gland black M16x1,5	1	PC
130	7.777-999.0	Stockpiling discontinued	1	PC
9000	6.645-554.0	Connecting cable control system battery charger	1	PC
9010	6.654-337.0	Battery charger replacement B 40 Japan	1	PC
9010	6.683-119.0	Battery charger replacement B 40 *EU	1	PC
9020	6.648-399.0	Cable gland black M16x1,5	1	PC
9030	7.777-999.0	Stockpiling discontinued	1	PC



9010 Battery charger replacement B 40 *EU (6.683-119.0)

POS	Article no.	Description	Quantity	Unit	Remark
20	6.645-553.0	Cable with plug	1	PC	*EU
20	6.645-586.0	Cable with plug B40-USA	1	PC	*US

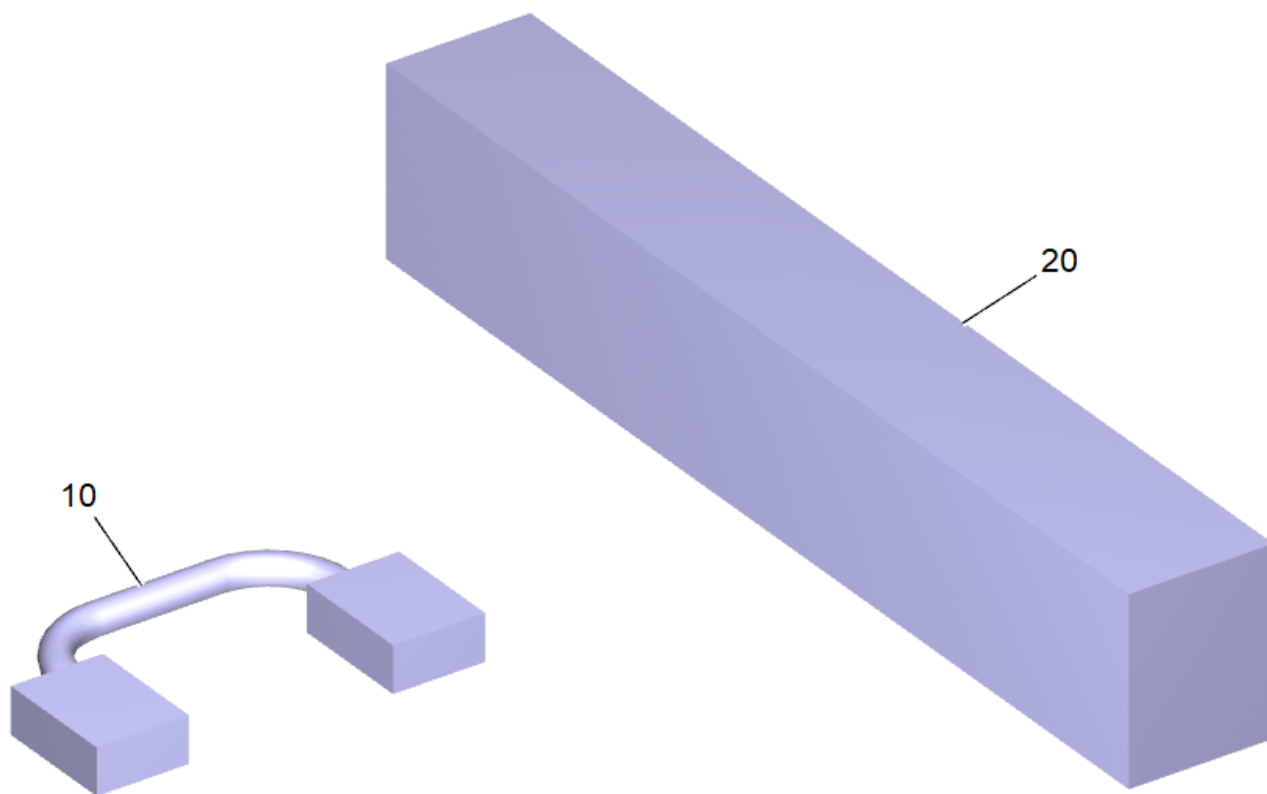


70 Gear complete B 40 W

POS	Article no.	Description	Quantity	Unit	Foot note text
10	5.035-351.0	Holder wheel drive motor	2	PC	
20	6.613-512.3	Wheel drive motor B40W	1	PC	
30	6.303-315.0	Screw 8 x 35	4	PC	
40	6.035-055.0	Wheel transmission conductive D200x50	2	PC	CHANGE BOTH WHEELS!
50	7.312-057.0	Washer 16 -A2 ISO 7089	2	PC	
60	7.343-029.0	Locking ring 17x1-FST-RF DIN 471	2	PC	
70	7.318-009.0	Parallel key 5x5x40-C45K DIN 6885	2	PC	
80	6.642-011.0	Insulating hose 10	1	m	TO ORDER AS CUT GOODS

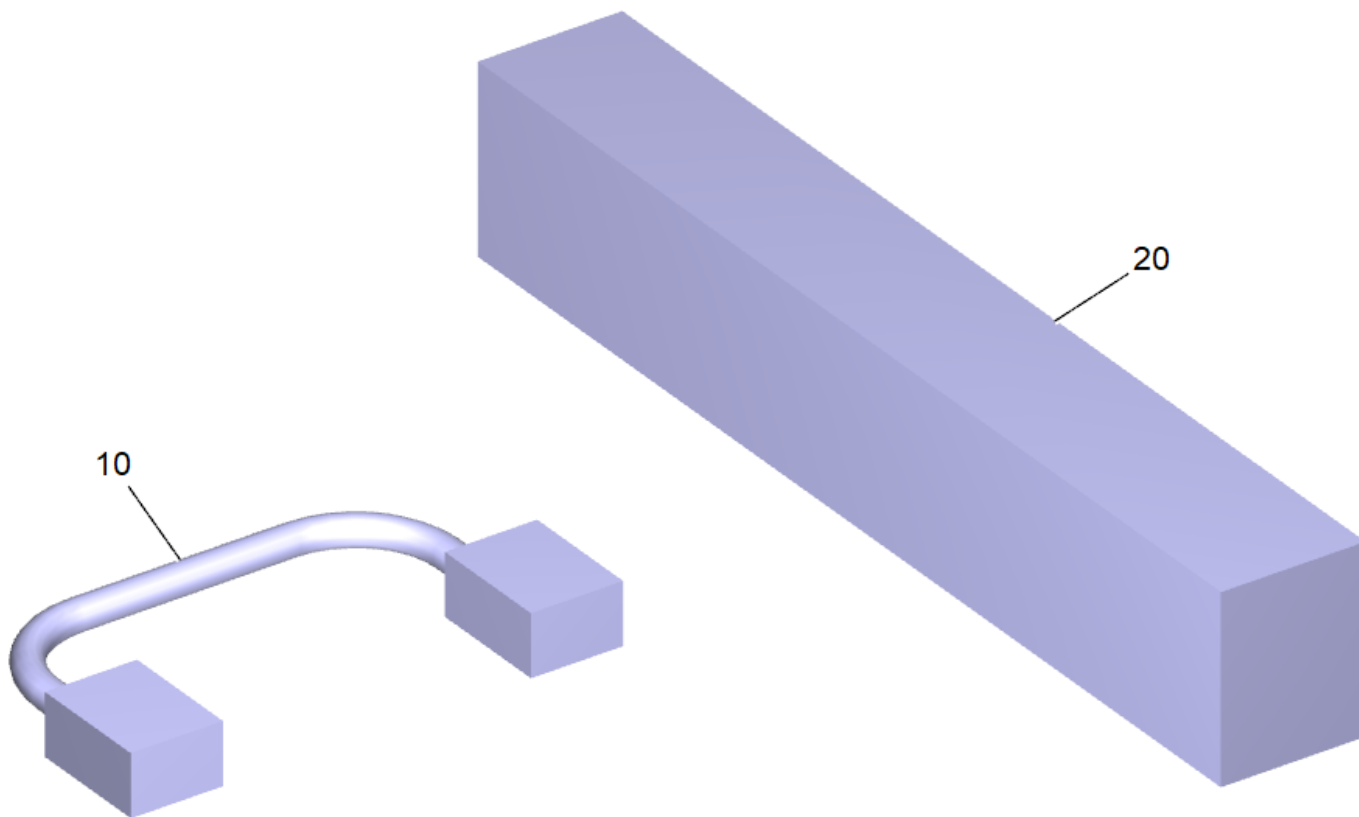
20 Wheel drive motor B40W (6.613-512.3)

POS	Article no.	Description	Quantity	Unit
10	6.490-069.0	Carbon brush set	1	PC



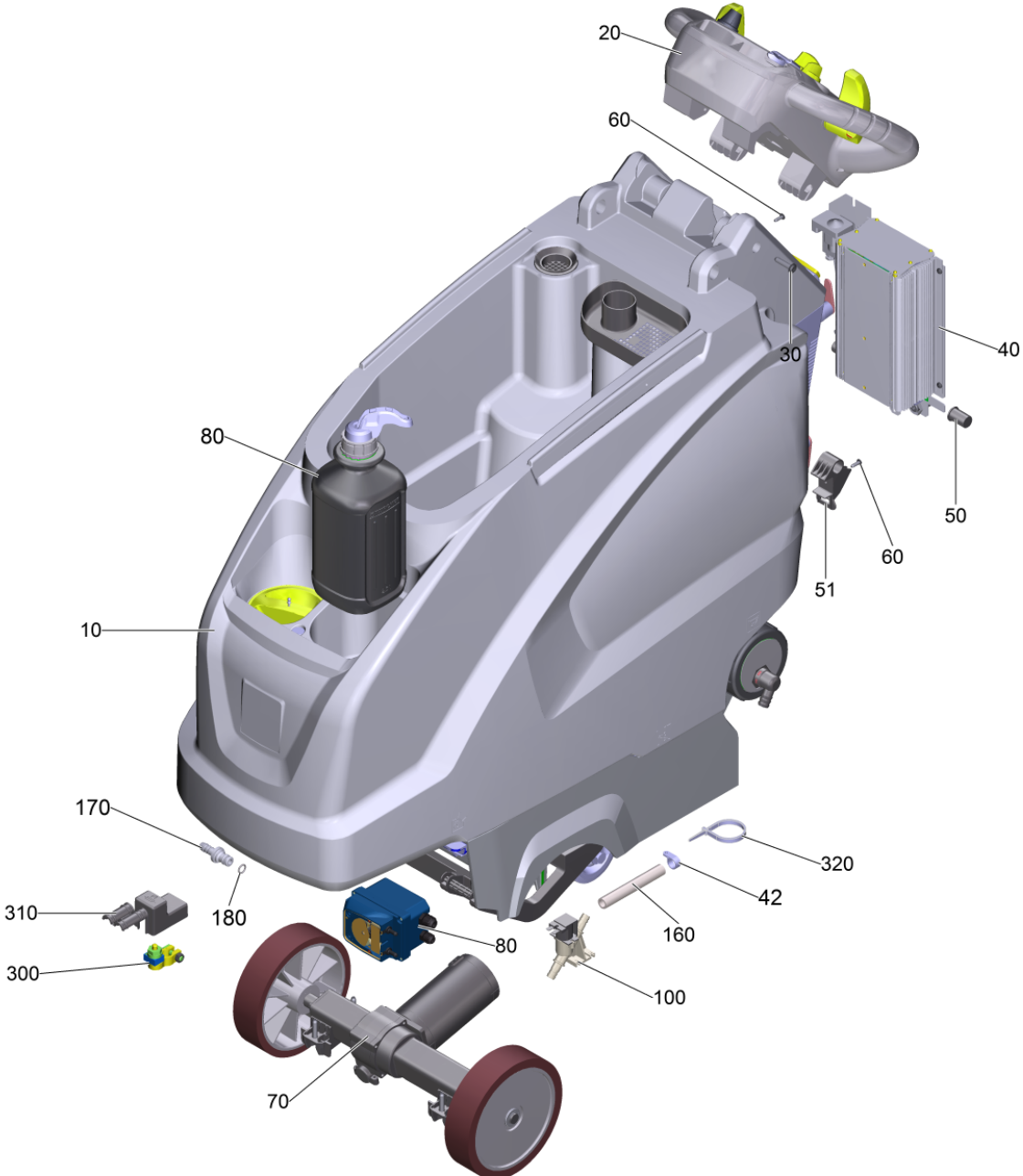
9523 Mounting kit battery kit (2.638-036.0)

POS	Article no.	Description	Quantity	Unit
10	6.649-879.0	Cable battery 25 mm ² . 160 mm	1	PC
20	5.642-021.0	Distance holder battery	1	PC



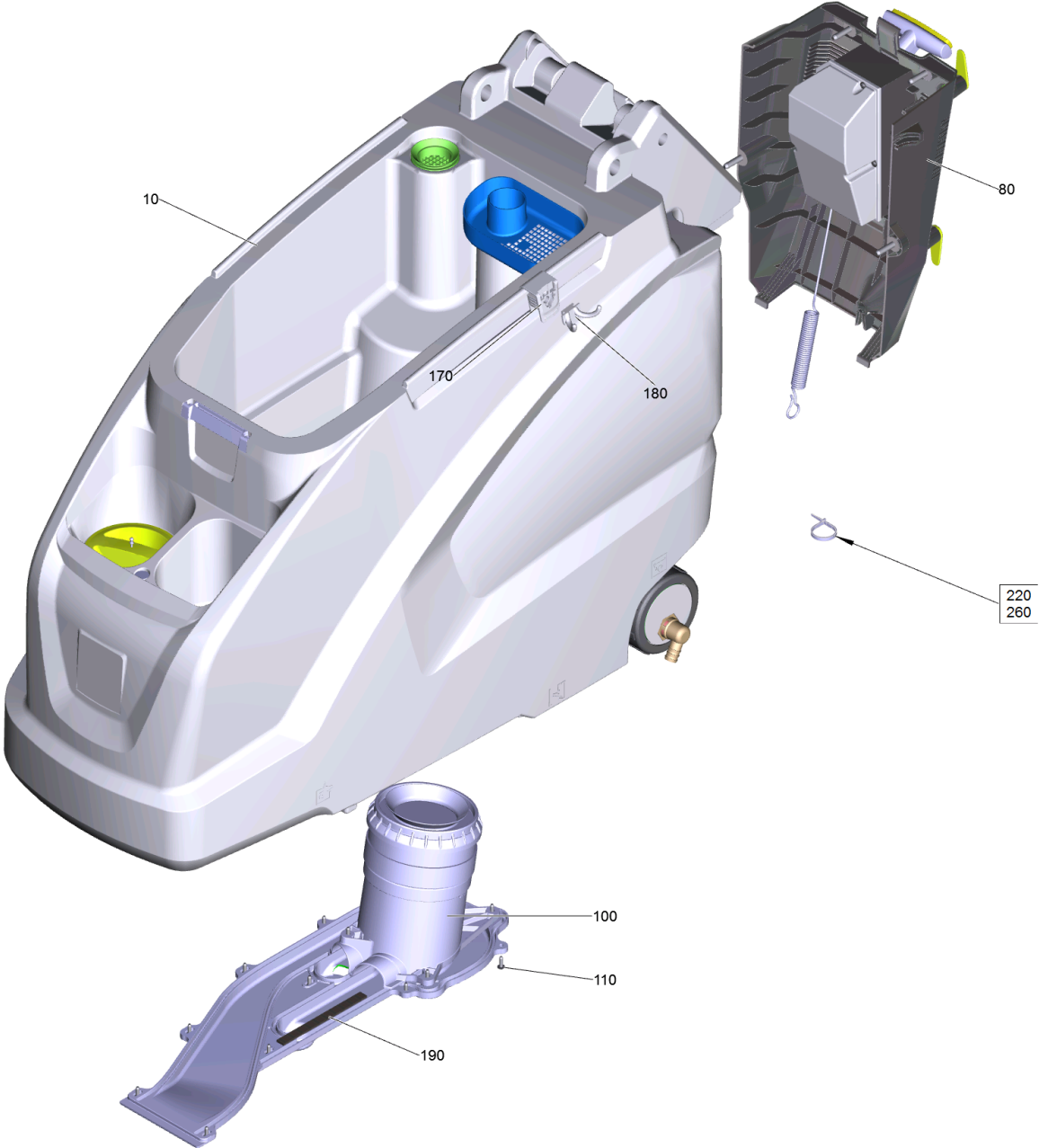
9531 Mounting kit battery kit (2.638-059.0)

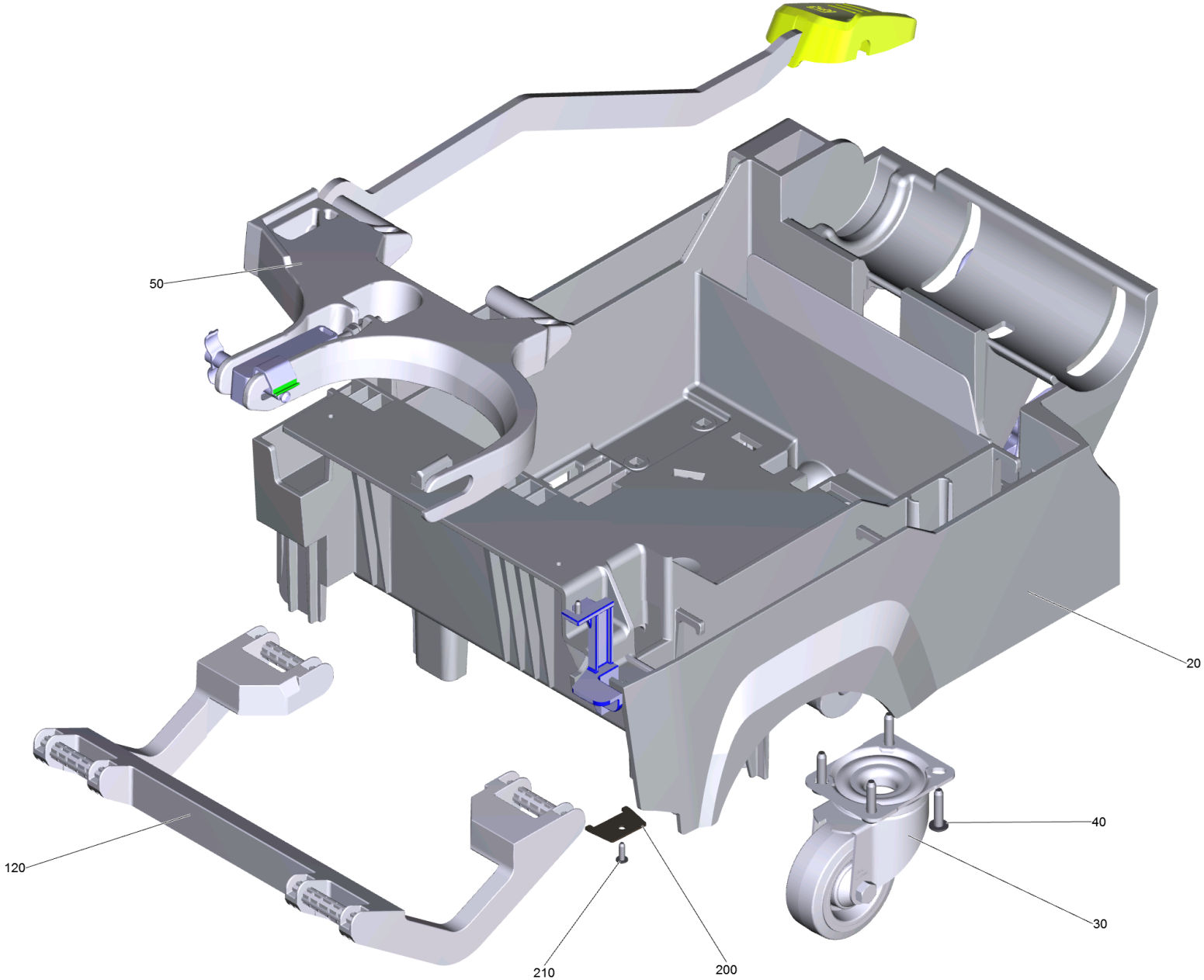
POS	Article no.	Description	Quantity	Unit
10	6.649-601.0	Cable battery short Hoppecke	1	PC
20	5.642-021.0	Distance holder battery	1	PC

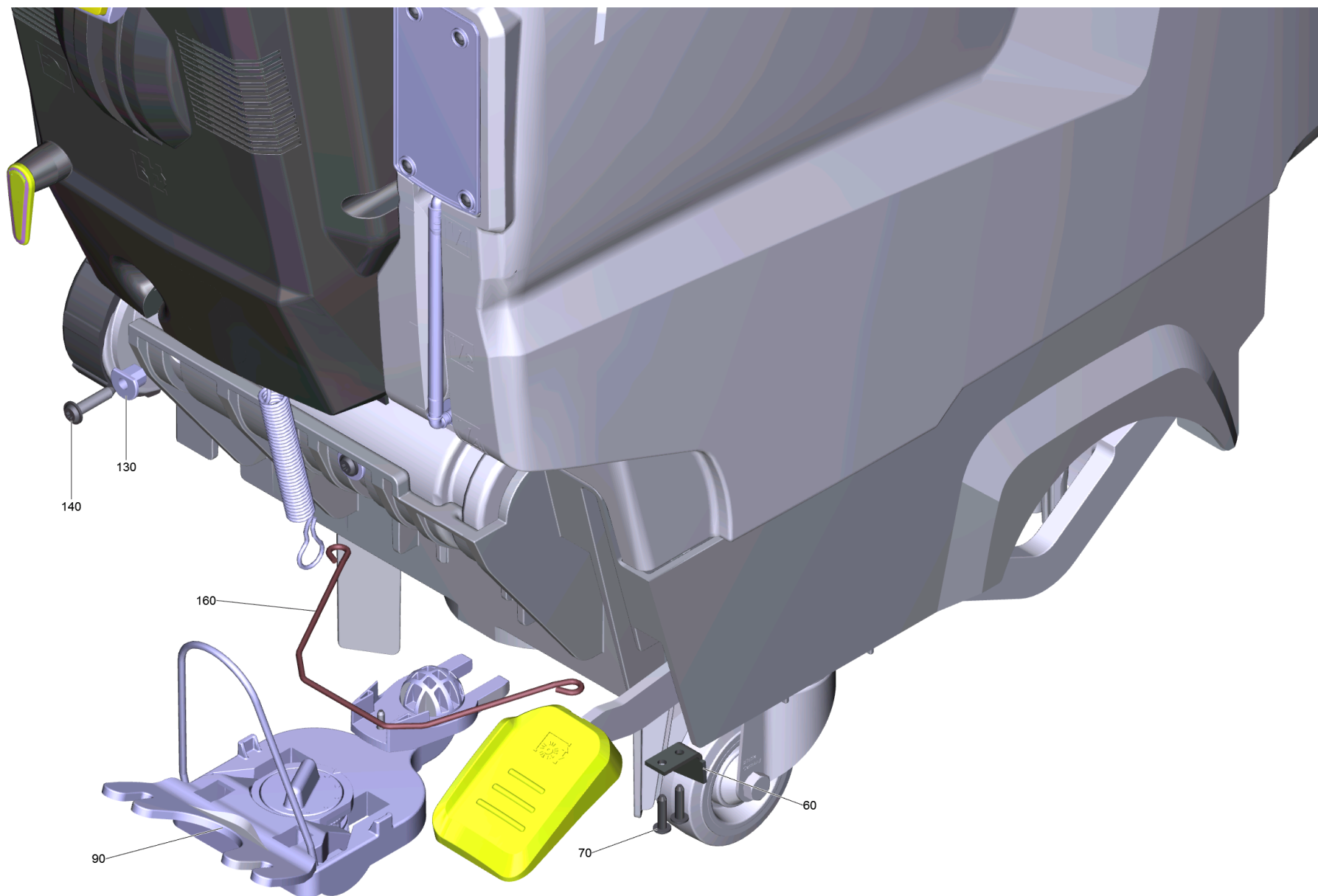


130 B 40 W Bp DOSE Fleet (2.533-225.7)

POS	Article no.	Description	Quantity	Unit	Foot note text
10		Basic machinery B40	1	PC	
20		Control panel complete 40W Bp Fleet EU	1	PC	
30	6.303-315.0	Screw 8 x 35	4	PC	
40		Electric equipment B40 W Bp Dose CAN	1	PC	NEW VERSION
40		Electric equipment B40 W Bp Dose	1	PC	OLD VERSION
42	6.373-877.0	Hose clip	1	PC	
50	5.035-450.0	Bearing bush electronics	2	PC	
51	5.035-433.0	Adapter	2	PC	
60	7.303-107.0	Screw 5x16 -10.9-P2R (K-In6Rd)	4	PC	
70		Gear complete B 40 W	1	PC	
80		RM tin B40	1	PC	
100	6.472-007.3	Solenoid valve 24 V	1	PC	
160	6.390-892.0	Spiral hose NW12	1	m	
170	5.443-375.0	Hose stem	1	PC	
180	6.362-170.0	O-Ring seal 11,3 X 2,4-NBR 70	1	PC	
300	6.644-618.0	Pole binder	1	PC	
310	5.394-852.0	Covering cap battery terminal	1	PC	
320	6.641-463.0	Cable tape	2	PC	
1000		Documentation B40 W Bp	1	PC	
9520	2.815-099.0	Battery kit Gel 2x 12V/76Ah	1	SET	
9521	2.815-100.0	Battery kit Gel 2x 12V/105Ah	1	SET	
9522	2.815-090.0	Battery kit AGM 2x 12V/80Ah	1	SET	
9523	2.638-036.0	Mounting kit battery kit	1	PC	
9530	2.815-091.0	Battery kit AGM 2x 12V/115Ah	1	SET	
9531	2.638-059.0	Mounting kit battery kit	1	PC	

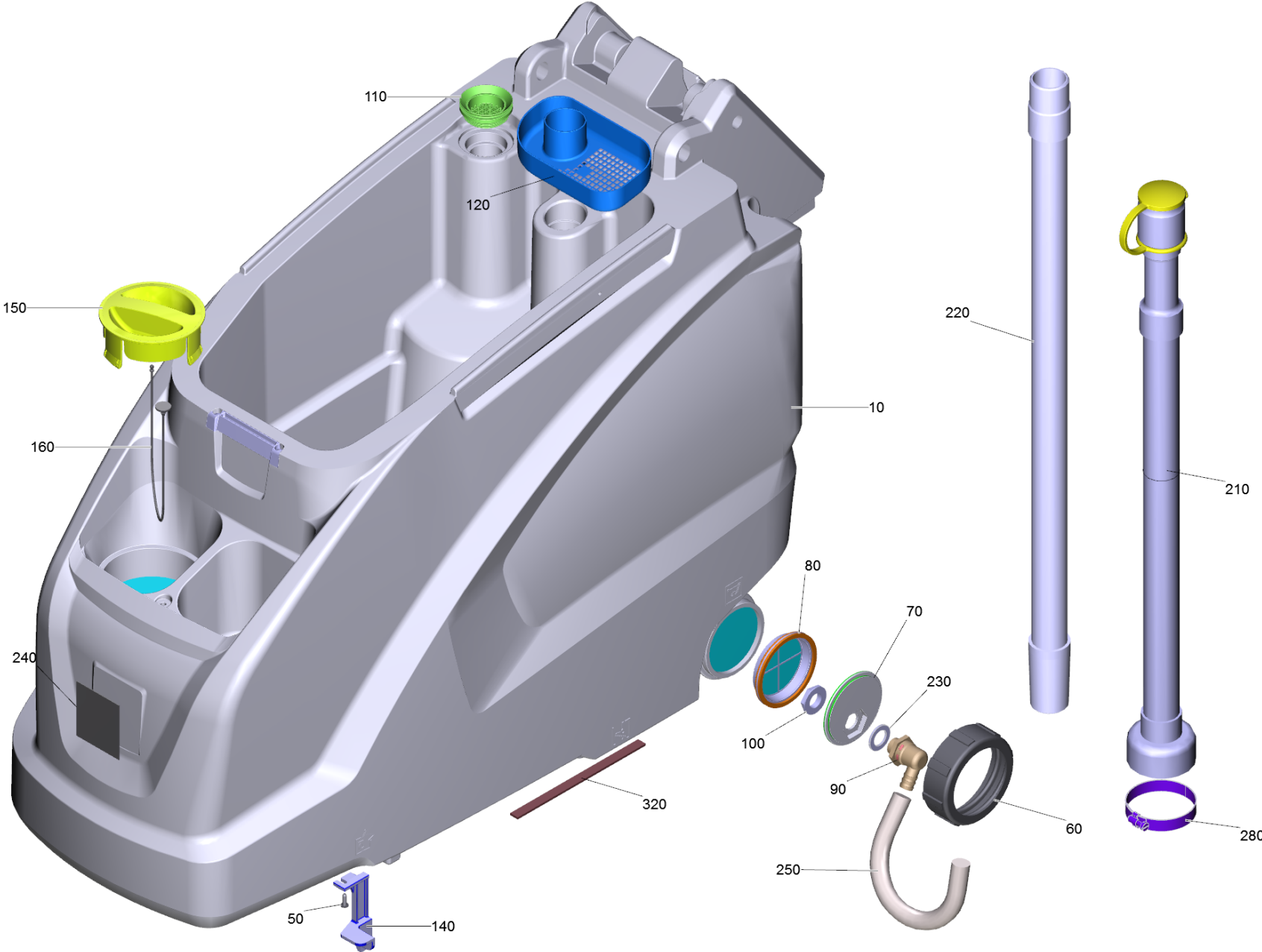


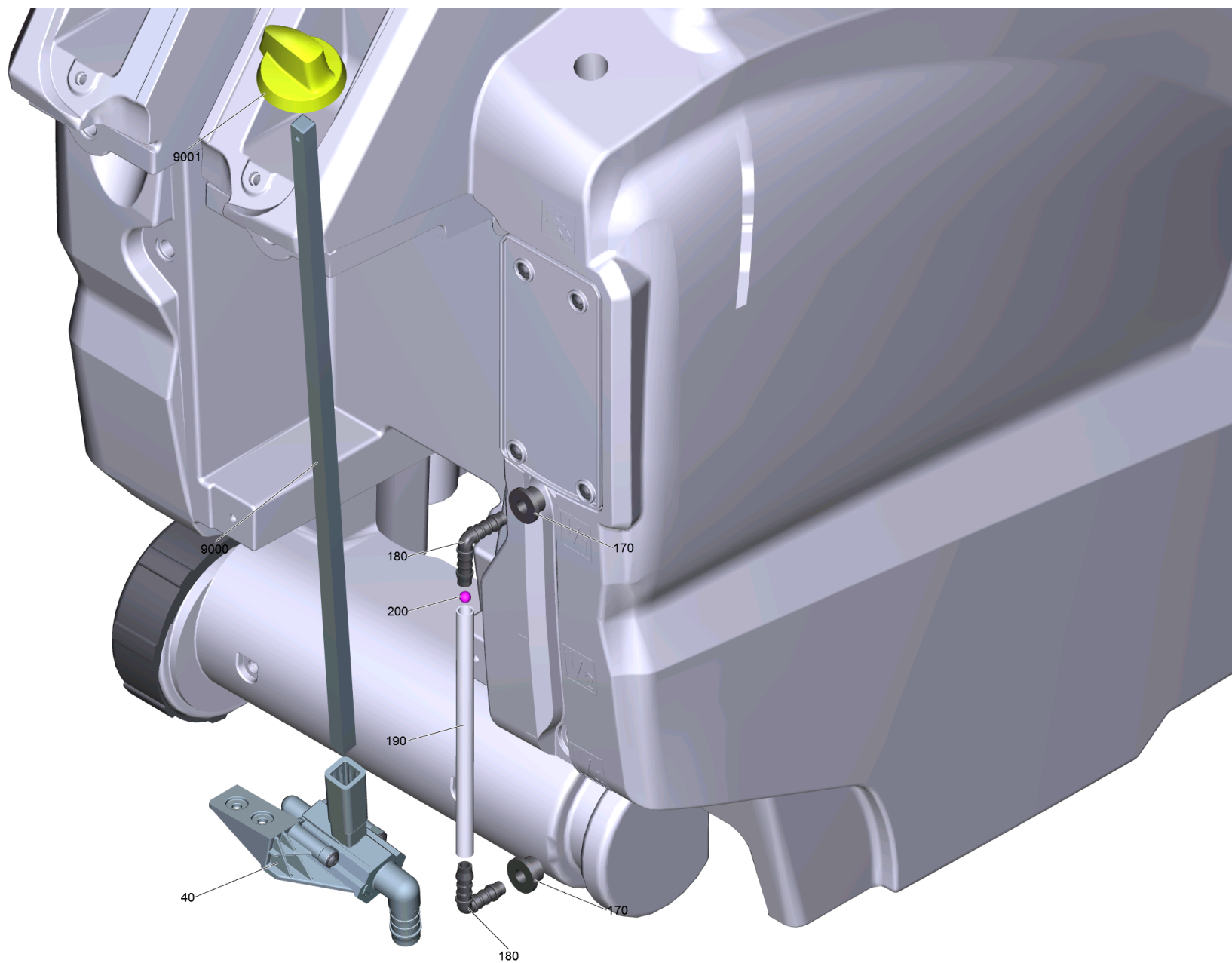


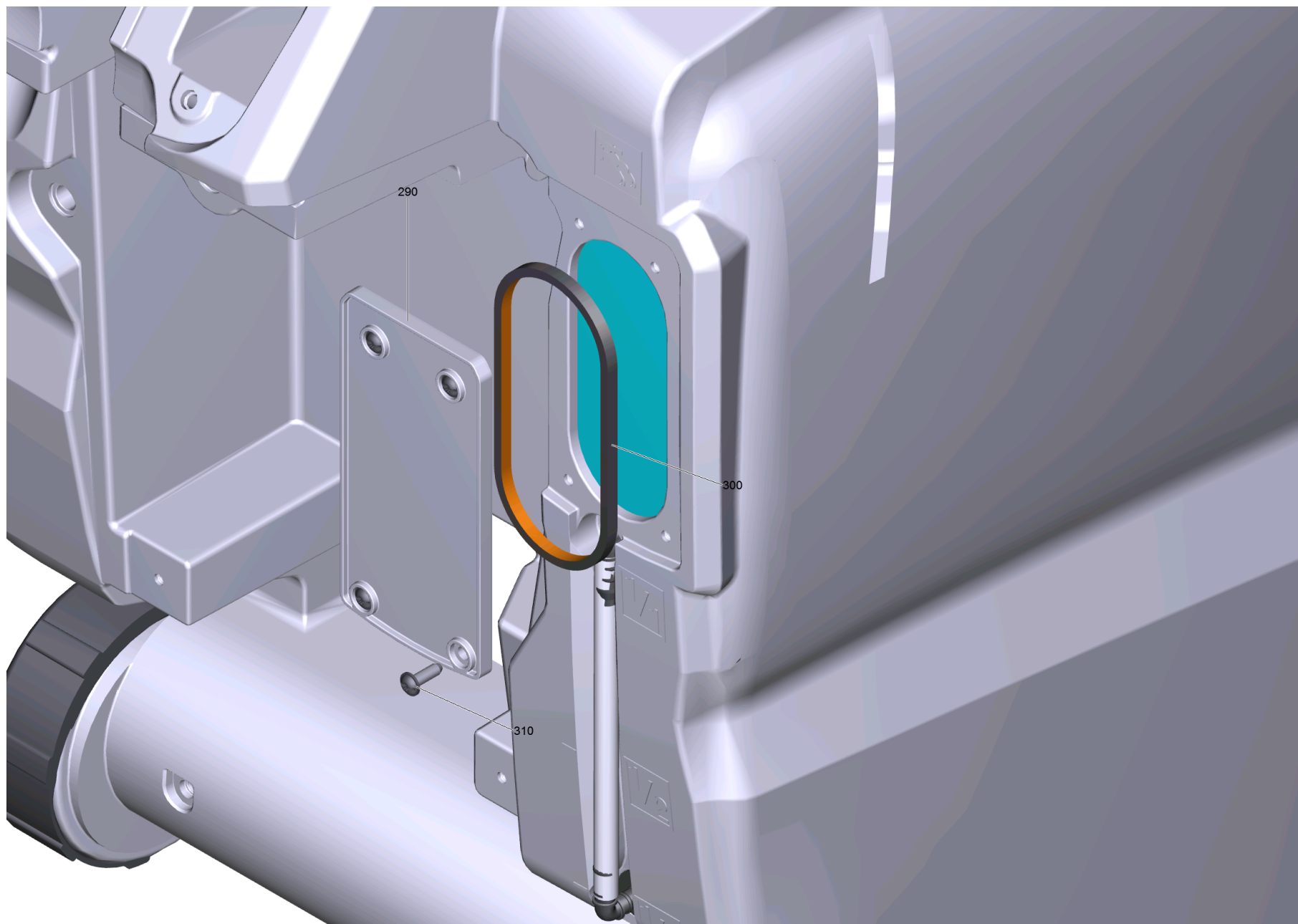


10 Basic machinery B40

POS	Article no.	Description	Quantity	Unit	Foot note text
10	4.035-335.0	Tank complete	1	PC	
20	5.035-350.0	Frame B40	1	PC	
30	6.435-011.3	Castor	2	PC	
40	6.303-315.0	Screw 8 x 35	8	PC	
50		Suspension brush-head complete	1	PC	
60	5.035-361.0	Sheet metal component	1	PC	
70	7.303-109.0	Screw 5x25 -10.9-R2R (In6Rd)	2	PC	
80		Covering cap rear complete	1	PC	
90		Suction bar lifting complete	1	PC	
100		Vacuum motor enclosure	1	PC	
110	7.303-107.0	Screw 5x16 -10.9-P2R (K-In6Rd)	13	PC	
120	5.035-334.0	Retaining bracket connecting rod	1	PC	
130	5.035-522.0	Sleeve	3	PC	
140	6.303-315.0	Screw 8 x 35	3	PC	
160	5.035-440.0	Wire spring	1	PC	
170	5.035-488.0	Adapter Homebase	1	PC	
180	6.980-077.0	Double hook	1	PC	
190	6.273-090.0	Sealing tape 13x3	1	m	TO ORDER AS CUT GOODS
200	5.035-726.0	Plate	1	PC	
210	7.303-107.0	Screw 5x16 -10.9-P2R (K-In6Rd)	1	PC	
220	6.641-465.0	Cable tape	1	PC	
260	6.647-081.0	Cable tape	1	PC	

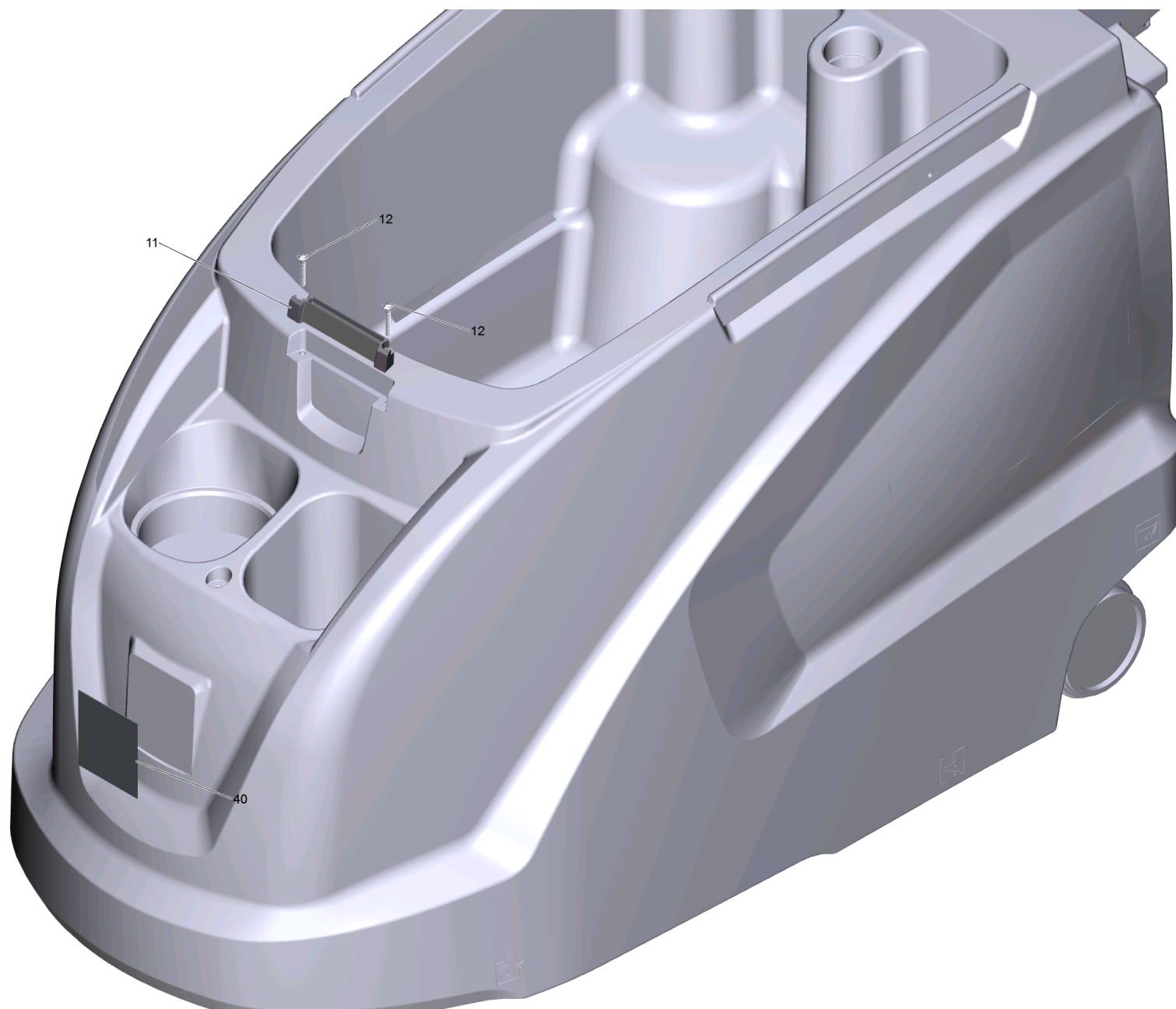






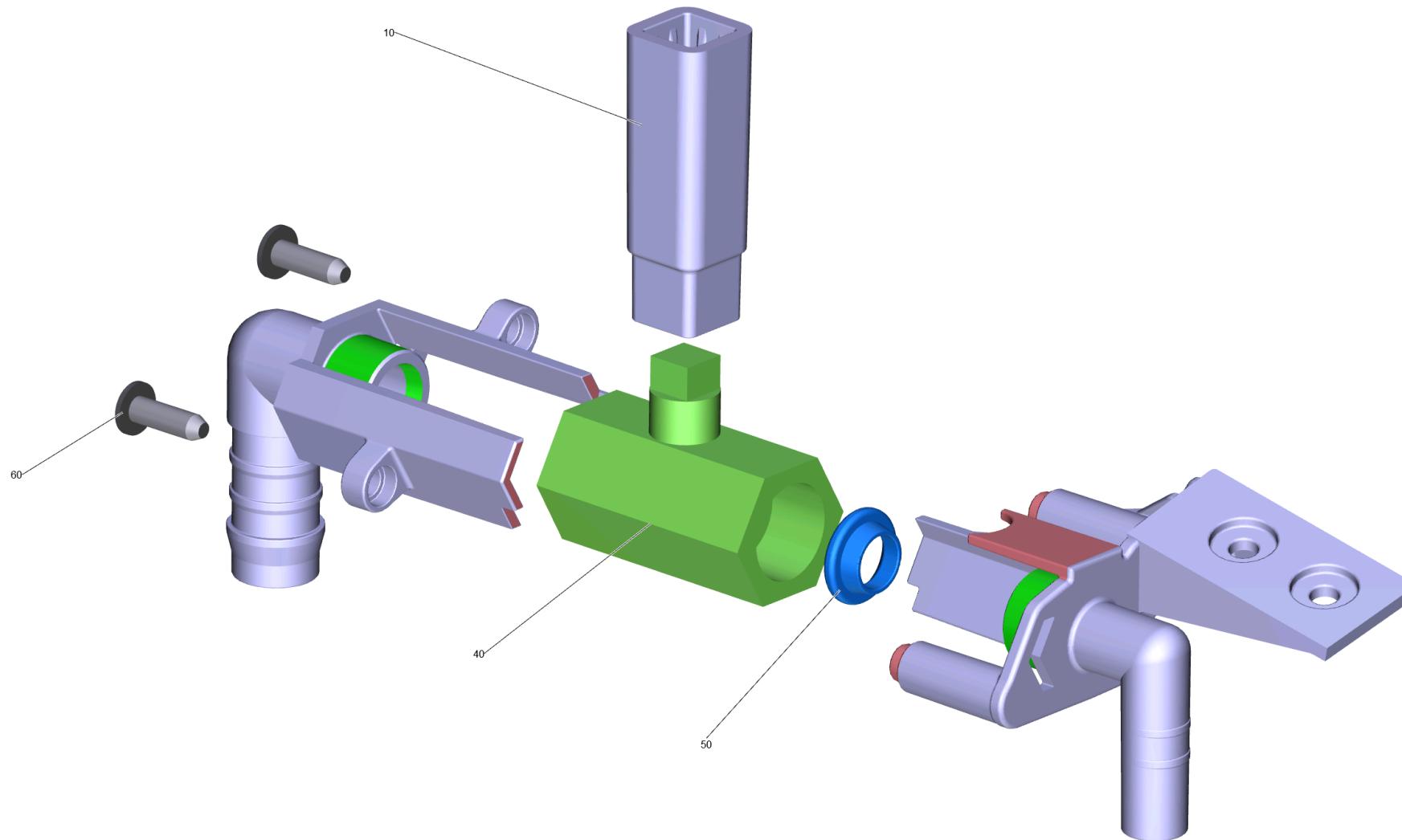
10 Tank complete (4.035-335.0)

POS	Article no.	Description	Quantity	Unit	Foot note text
10	4.035-429.0	Tank replacement B40	1	PC	
40	4.035-426.0	Ball valve complete replacement	1	PC	
50	7.303-107.0	Screw 5x16 -10.9-P2R (K-In6Rd)	3	PC	
60	5.035-341.0	Cover fresh water tank discharge	1	PC	
70	5.035-342.0	Hose connection fresh water discharge	1	PC	
80	5.035-376.0	Filter discharge	1	PC	
90	6.395-163.3	Angle bushing G1-2	1	PC	
100	6.310-004.0	Hexagon nut G 1/2"	1	PC	
110	5.515-266.0	Joint ring fluffing strainer	1	PC	
120	5.036-932.0	Tank bulk waste yellow	1	PC	
140	5.035-435.0	Tank locking part	1	PC	
150	5.034-099.0	Cover fresh water metering RM	1	PC	
160	5.035-358.0	Mounting rope cover fresh water tank	1	PC	
170	5.035-608.0	Wire protecting sleeve	2	PC	
180	6.391-913.0	Elbow nipple	2	PC	
190	5.035-328.0	Silicon hose level indicator	1	PC	
200	6.035-072.0	Sphere level indicator D6	1	PC	
210	4.035-285.0	Drain hose with cover PU	1	PC	OIL RESISTANT
220	6.392-471.0	Suction hose PU DN32	1	PC	
230	5.515-253.0	Seal D34	1	PC	
240	5.394-081.0	Label signet gel 78x86	1	PC	
250	6.390-324.0	Hose DN16	1	m	TO ORDER AS CUT GOODS
280	6.388-767.0	Hose clip 70- 90	1	PC	
290	4.035-370.0	Screen filling system	1	PC	
300	5.035-418.0	Seal fixing plate	1	PC	
310	7.303-107.0	Screw 5x16 -10.9-P2R (K-In6Rd)	4	PC	
320	6.273-043.0	Sealing tape cellularrubber 9x4	1	m	TO ORDER AS CUT GOODS
9000	5.035-369.0	Bar	1	PC	
9001	5.035-404.0	Handle	1	PC	



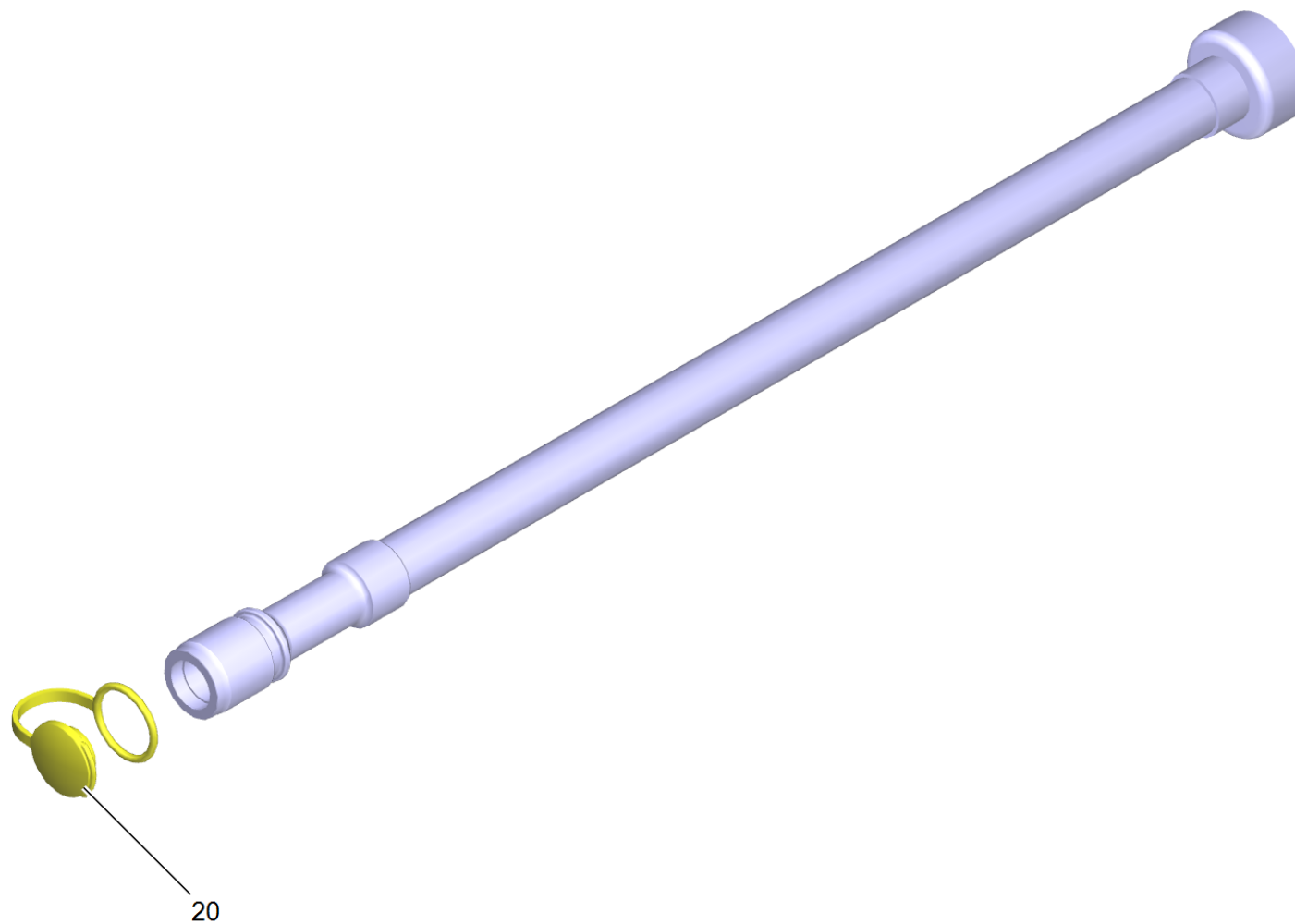
10 Tank replacement B40 (4.035-429.0)

POS	Article no.	Description	Quantity	Unit
11	5.035-482.0	Add-on part tank cover	1	PC
12	7.303-086.0	Screw 5x30 -10.9-R2R (K-In6Rd)	2	PC
40	5.394-081.0	Label signet gel 78x86	1	PC



40 Ball valve complete replacement (4.035-426.0)

POS	Article no.	Description	Quantity	Unit
10	5.035-459.0	Coupler piece ball valve	1	PC
40	6.413-586.0	Ball valve without handhold	1	PC
50	5.035-770.0	Seal ball valve	2	PC
60	7.303-107.0	Screw 5x16 -10.9-P2R (K-In6Rd)	2	PC

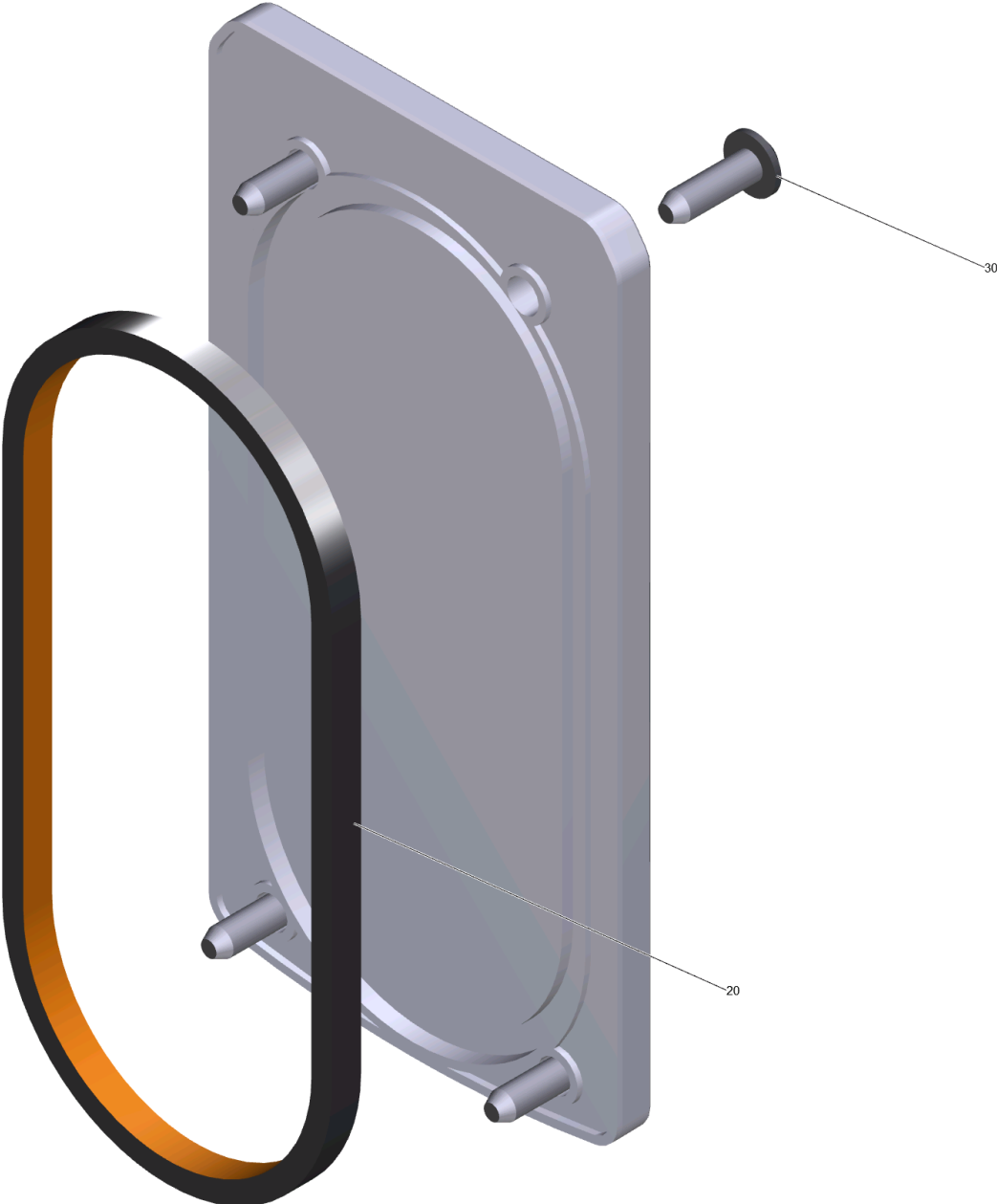


210 Drain hose with cover PU (4.035-285.0)

POS	Article no.	Description	Quantity	Unit
20	5.036-249.0	Cover plate drain hose yellow PU	1	PC

290 Screen filling system (4.035-370.0)

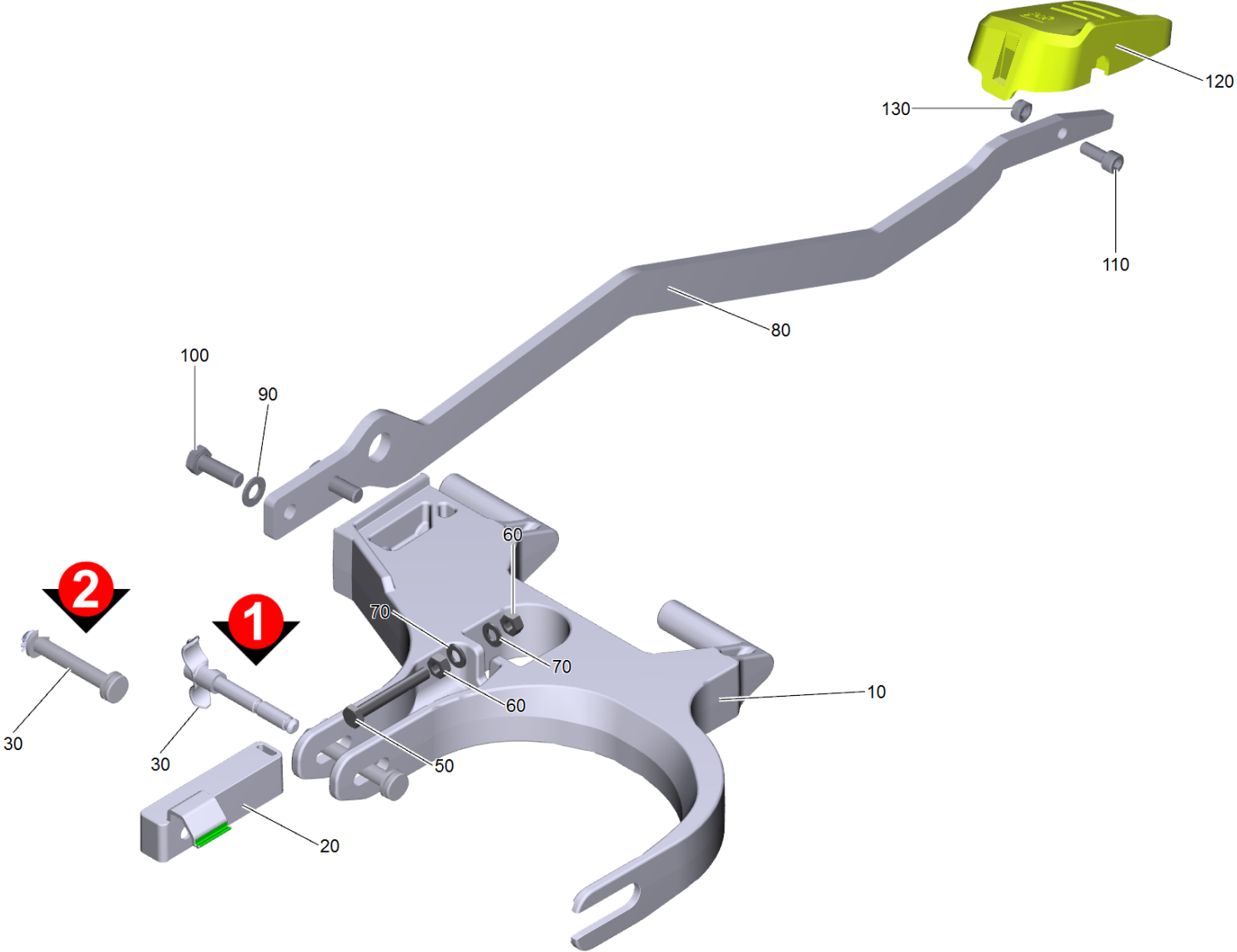
POS	Article no.	Description	Quantity	Unit
10	4.035-370.7	Screen filling system	1	PC



10 Screen filling system (4.035-370.7)

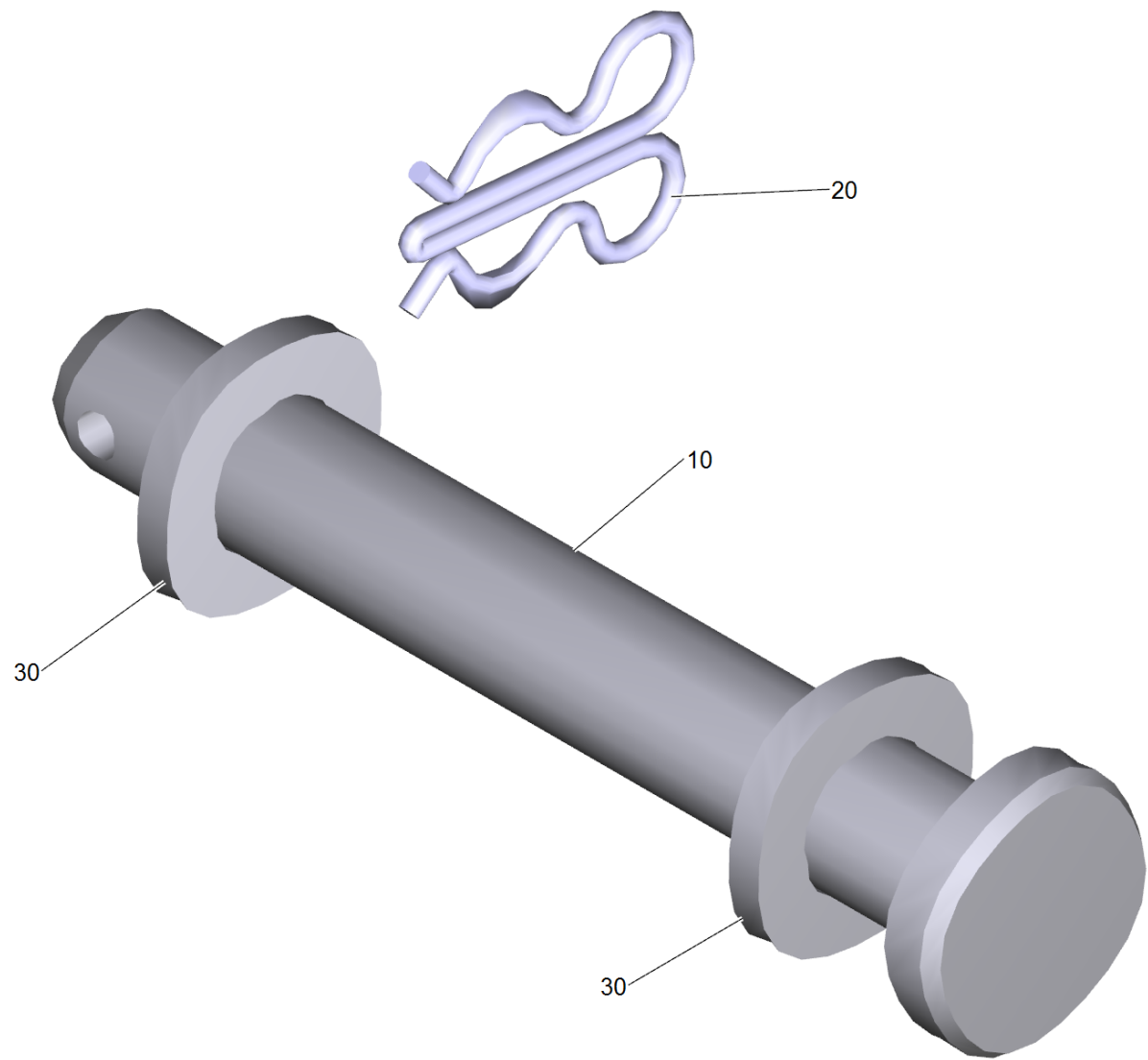
POS	Article no.	Description	Quantity	Unit
20	5.035-418.0	Seal fixing plate	1	PC
30	7.303-107.0	Screw 5x16 -10.9-P2R (K-In6Rd)	4	PC

50 Suspension brush-head complete



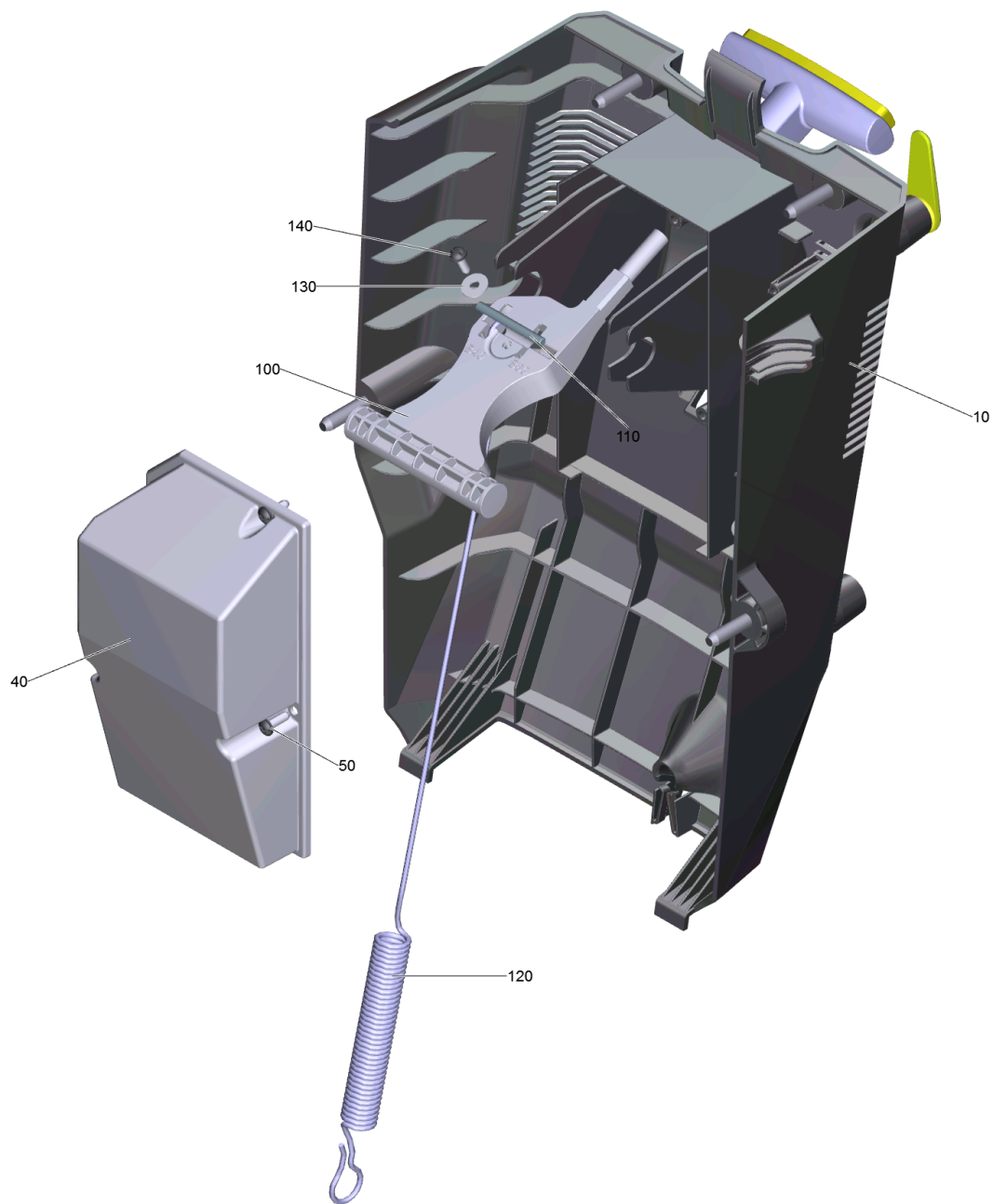
50 Suspension brush-head complete

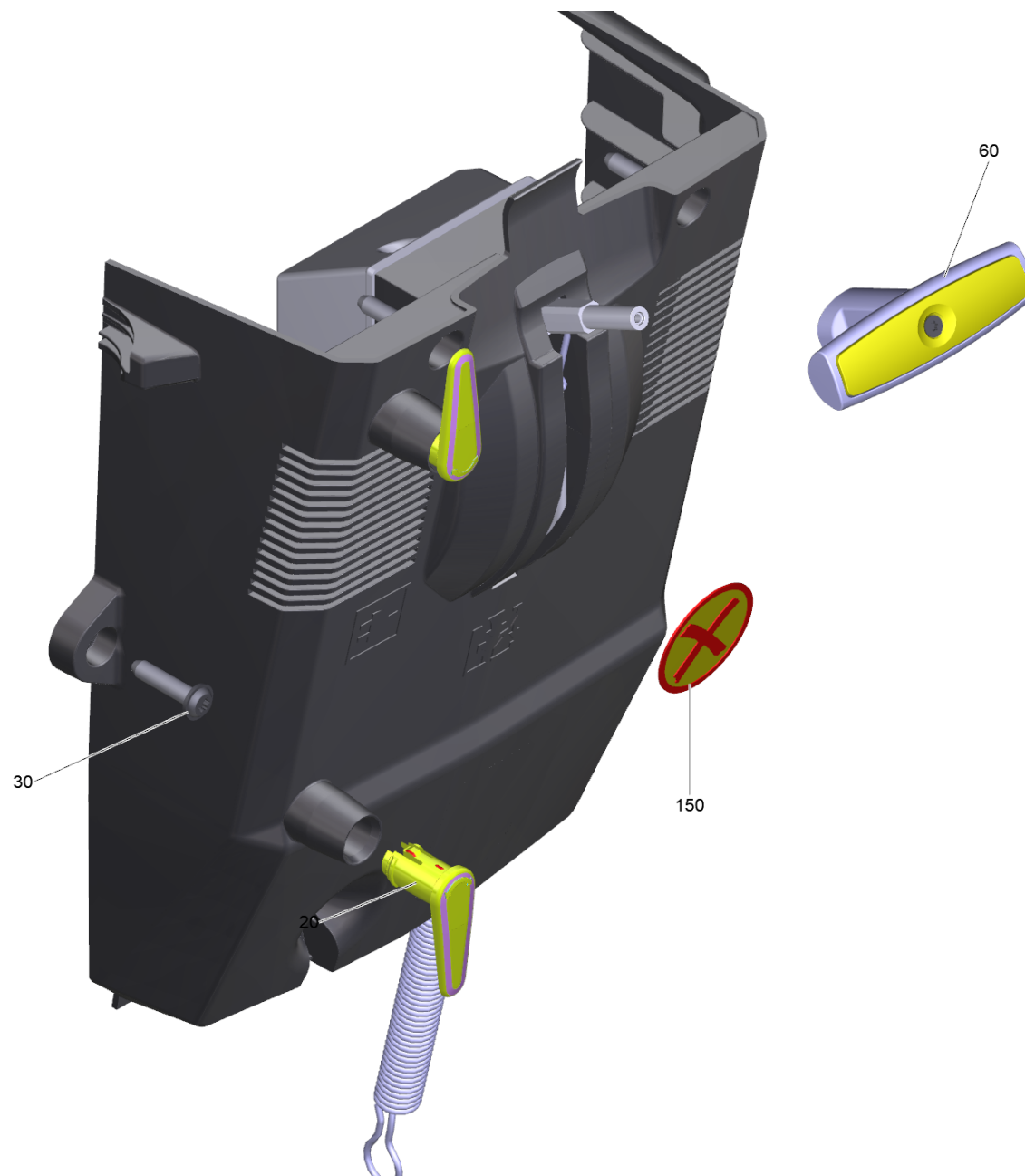
POS	Article no.	Description	Quantity	Unit	Foot note text
10	5.035-675.0	Suspension brush-head triple	1	PC	
20	5.035-377.0	Adjusting element brush-head	1	PC	
30	4.035-584.0	Bolt complete	1	PC	VERSION 2
30	5.035-865.0	Handhold bolt brush-head	1	PC	VERSION 1
50	7.304-262.0	Hexagonal head screw M8x60-A4-70 ISO 40	1	PC	
60	7.311-068.0	Hexagon nut M 8-A2-70 ISO 4032	2	PC	
70	7.312-004.0	Washer 8 -200HV-A3E ISO 7089	2	PC	
80	5.035-370.0	Lever plate brush-head	1	PC	
90	7.312-005.0	Washer 10-200HV-A3E ISO 7089	2	PC	
100	7.304-417.0	Hexagonal head screw M10x30-8.8-A3E ISO	2	PC	
110	7.306-041.0	Cylinder head screw M8x20 -8.8-A2E ISO	1	PC	
120	5.035-374.0	Pedal brush-head	1	PC	
130	7.311-432.0	Hexagon nut M 8-1.4305 DIN 985	1	PC	



30 Bolt complete (4.035-584.0)

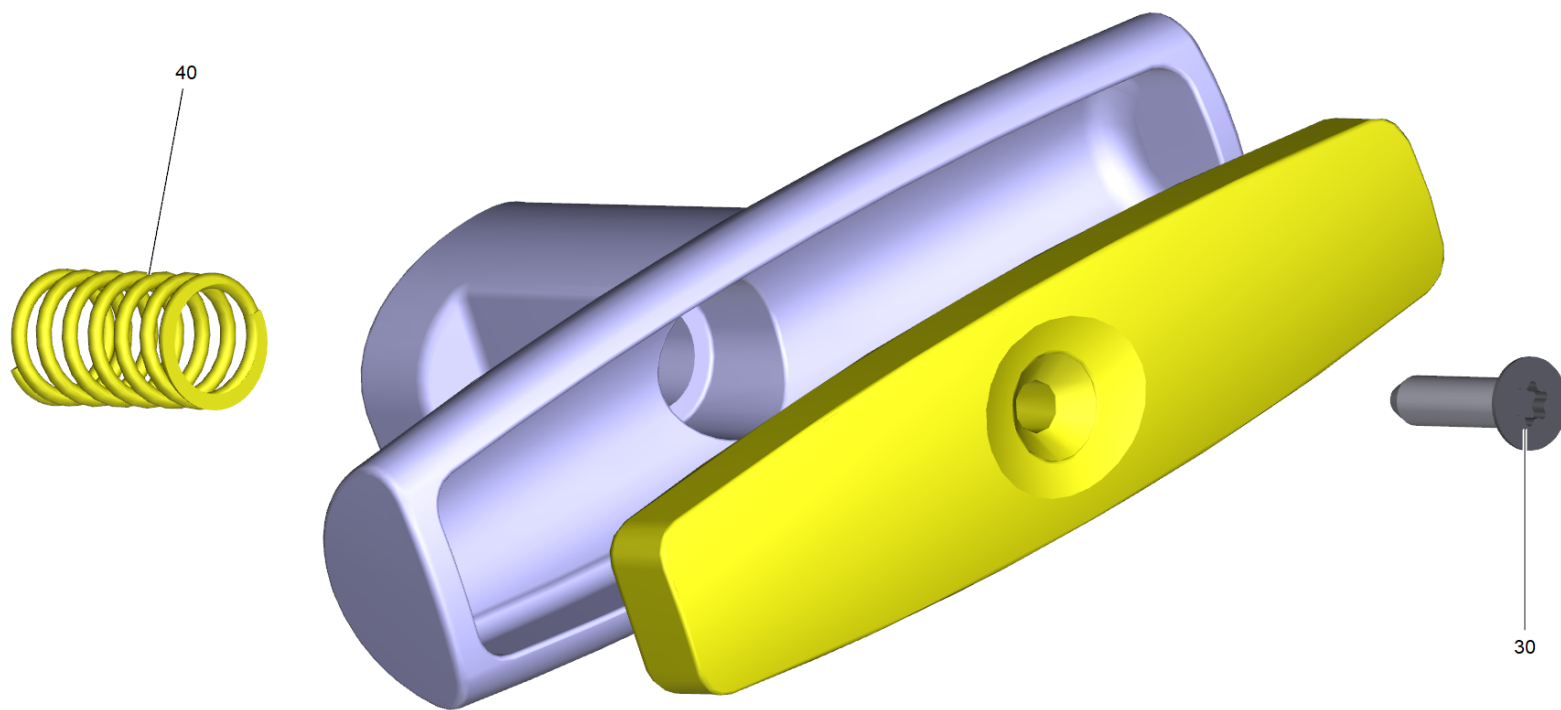
POS	Article no.	Description	Quantity	Unit
10	7.316-045.0	Bolt B 10x75 -St-A2E ISO 2341	1	PC
20	6.035-047.0	Spring clip double	1	PC
30	7.312-153.0	Washer 10 -160HV-A3E EN28738	2	PC





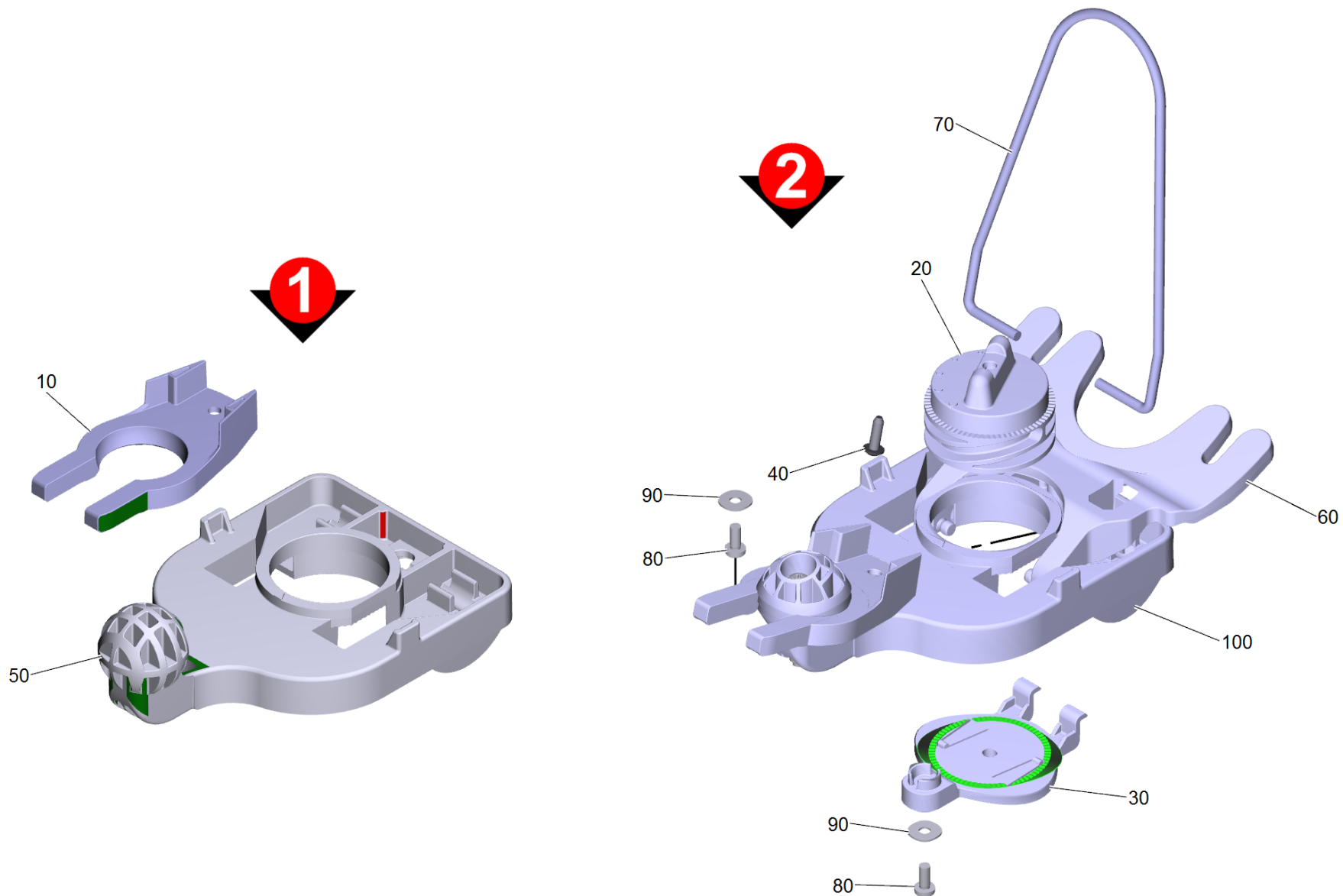
80 Covering cap rear complete

POS	Article no.	Description	Quantity	Unit
10	5.035-366.0	Covering cap	1	PC
20	5.044-661.0	Catch for cable yellow	2	PC
30	6.303-315.0	Screw 8 x 35	4	PC
40	5.035-446.0	Cover covering cap rear	1	PC
50	7.303-107.0	Screw 5x16 -10.9-P2R (K-In6Rd)	3	PC
60	4.035-612.0	Set handhold adjustment	1	PC
100	5.035-445.0	Lever suction bar	1	PC
110	5.035-453.0	Axle lever suction bar	1	PC
120	5.035-423.0	Extension spring	1	PC
130	7.312-282.0	Washer 5 -A2 ISO 7093-1	1	PC
140	7.303-107.0	Screw 5x16 -10.9-P2R (K-In6Rd)	1	PC
150	5.380-889.0	Warning sign BR-BD 750	1	PC



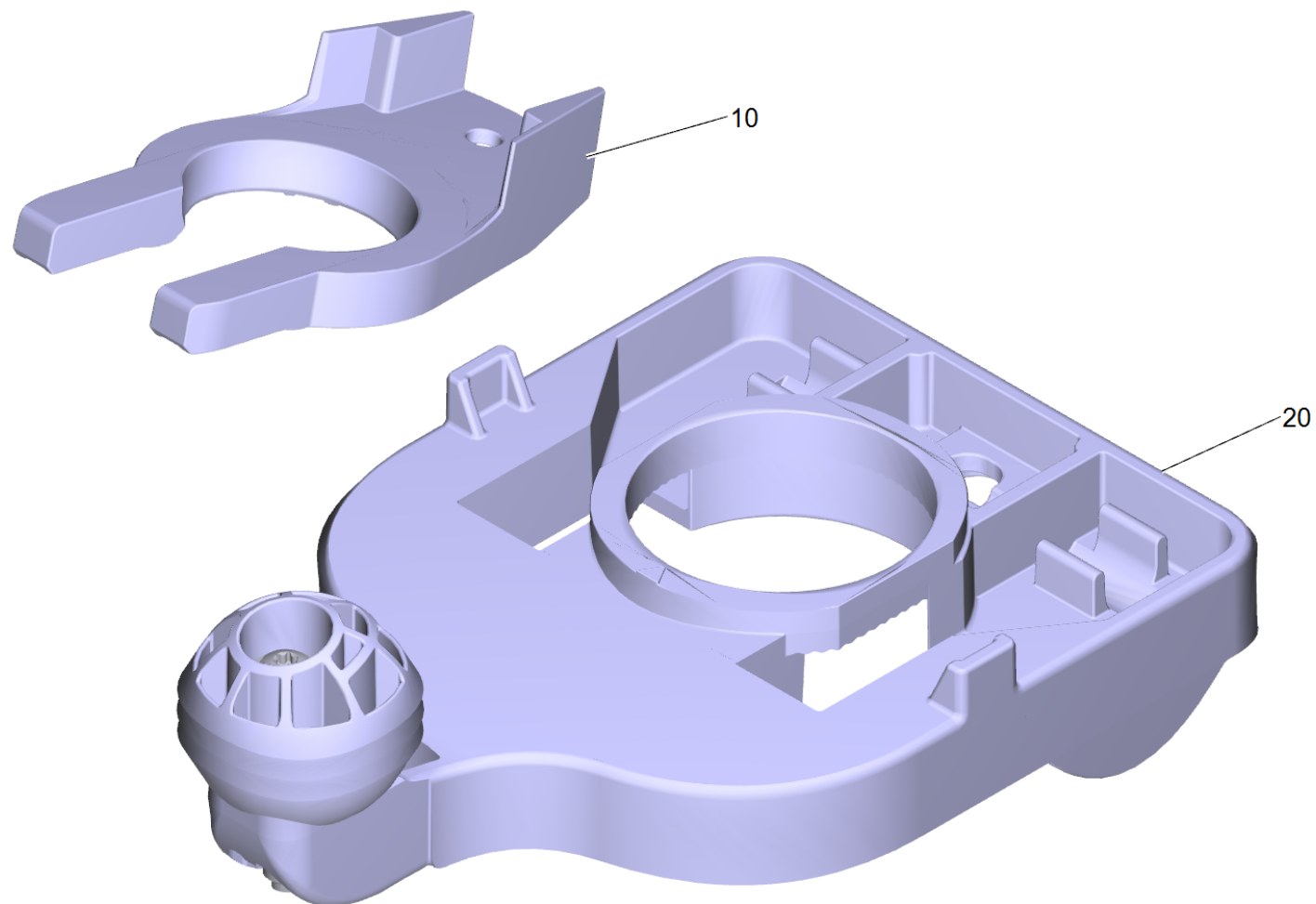
60 Set handhold adjustment (4.035-612.0)

POS	Article no.	Description	Quantity	Unit
30	7.303-128.0	Countersunk screw 5x20 -10.9-R2R (In6Rd)	1	PC
40	5.332-481.0	Helical spring	1	PC



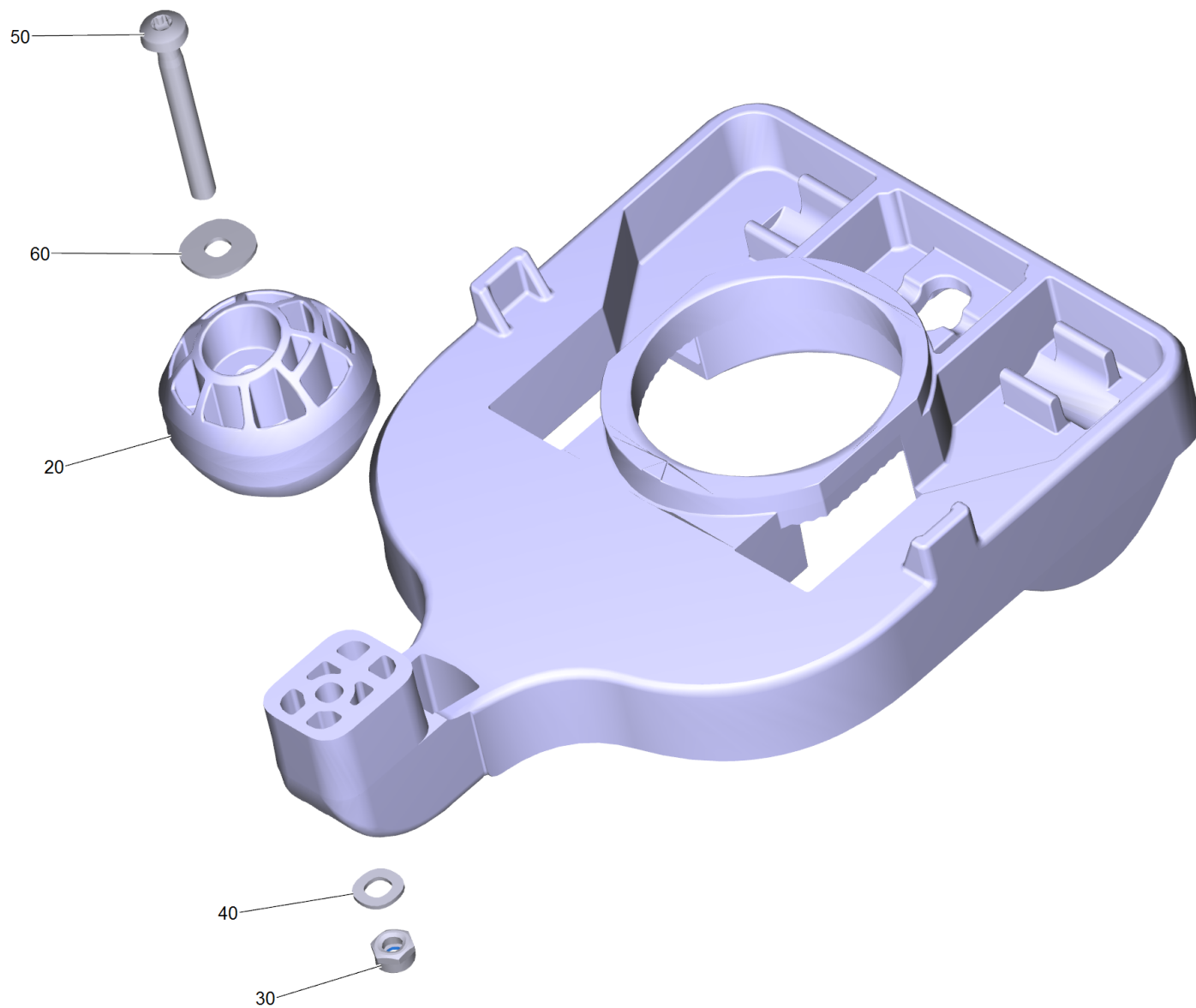
90 Suction bar lifting complete

POS	Article no.	Description	Quantity	Unit	Foot note text
10	7.777-999.0	Stockpiling discontinued	1	PC	VERSION 1
20	5.035-292.0	Adjusting knob suction bar tothing	1	PC	
30	5.035-293.0	Covering cap suction bar tothing	1	PC	
40	7.303-109.0	Screw 5x25 -10.9-R2R (In6Rd)	1	PC	
50	7.777-999.0	Stockpiling discontinued	1	PC	VERSION 1
60	5.036-103.0	Rocker suction bar	1	PC	
70	5.035-382.0	Retaining bracket suction bar	1	PC	
80	6.306-003.0	Screw M5X12-A2/70-ISO 14583 (IN6RD)	2	PC	with microencapsulation
90	7.312-282.0	Washer 5 -A2 ISO 7093-1	2	PC	
100	4.035-583.0	Holder suction bar complete	1	PC	VERSION 2



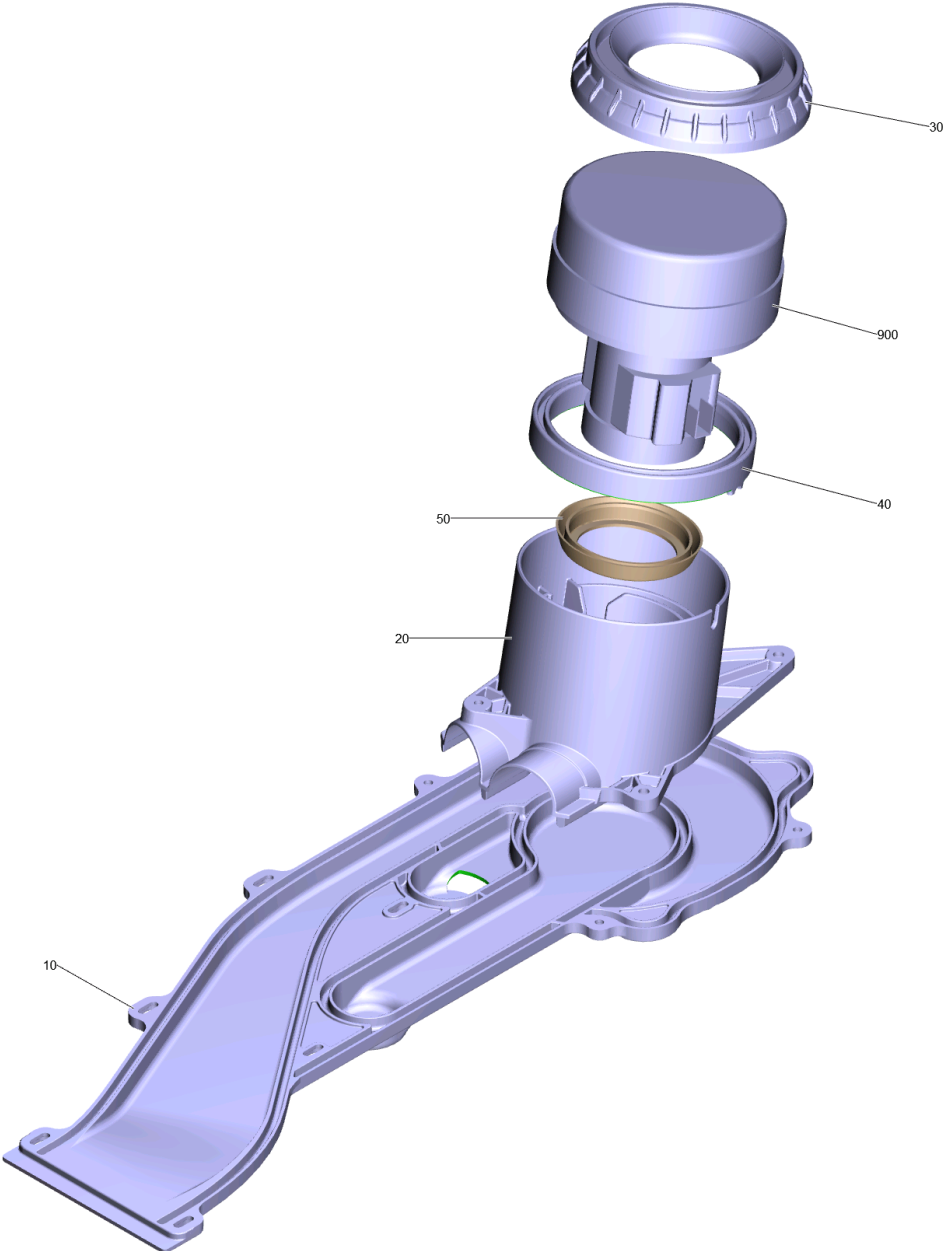
100 Holder suction bar complete (4.035-583.0)

POS	Article no.	Description	Quantity	Unit
10	5.005-005.0	FIXING PLATE SUCTION BAR ALU	1	PC
20	4.037-137.3	Holder suction bar	1	PC



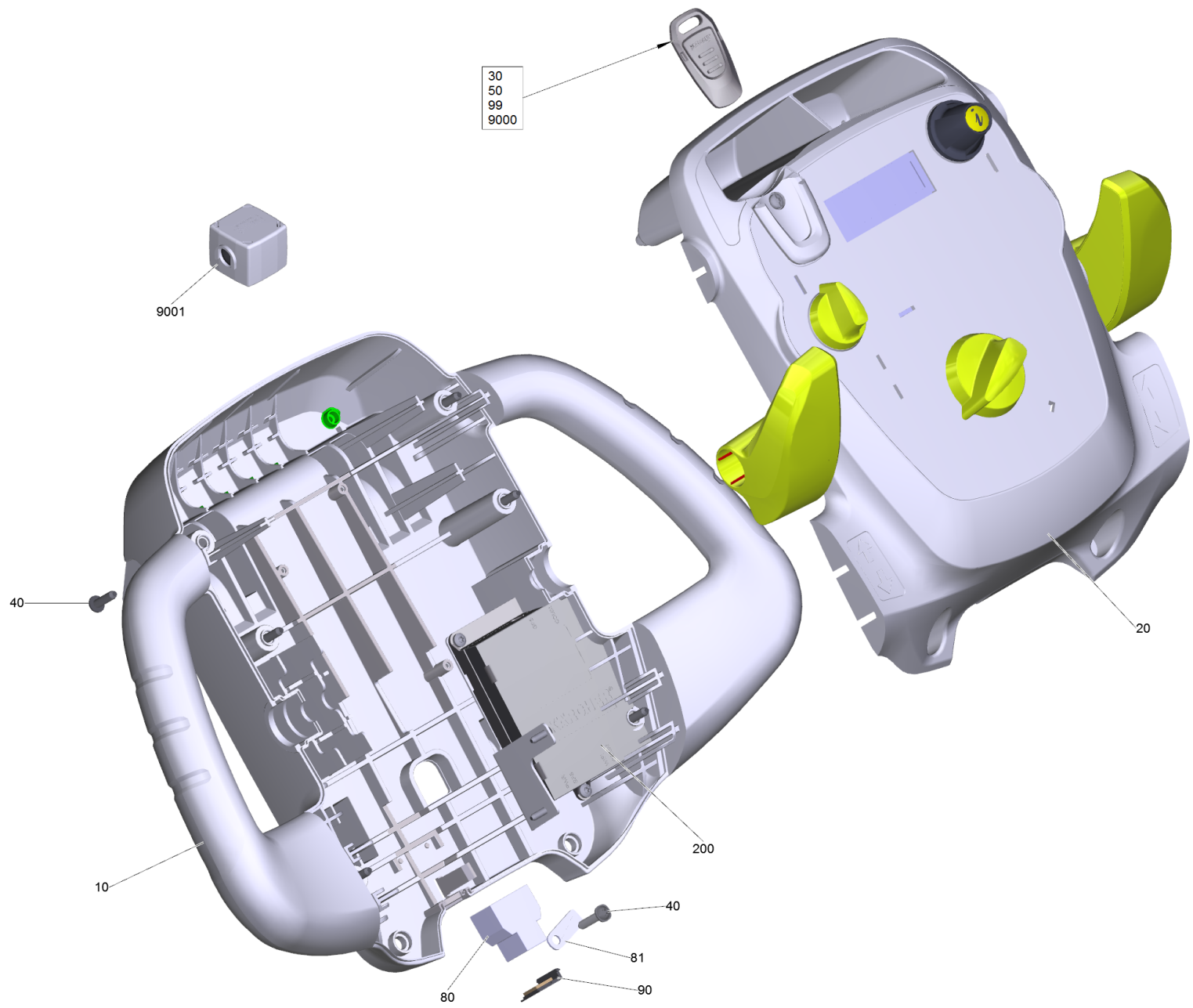
20 Holder suction bar (4.037-137.3)

POS	Article no.	Description	Quantity	Unit
20	5.037-579.0	Sphere suction bar suspension	1	PC
30	7.311-431.0	Hexagon nut M 5-1.4305 DIN 985	1	PC
40	7.312-052.0	Washer 5 -A2 ISO 7089	1	PC
50	7.306-215.0	Screw M5x45 -8.8-P2R (In6Rd)	1	PC
60	7.312-282.0	Washer 5 -A2 ISO 7093-1	1	PC



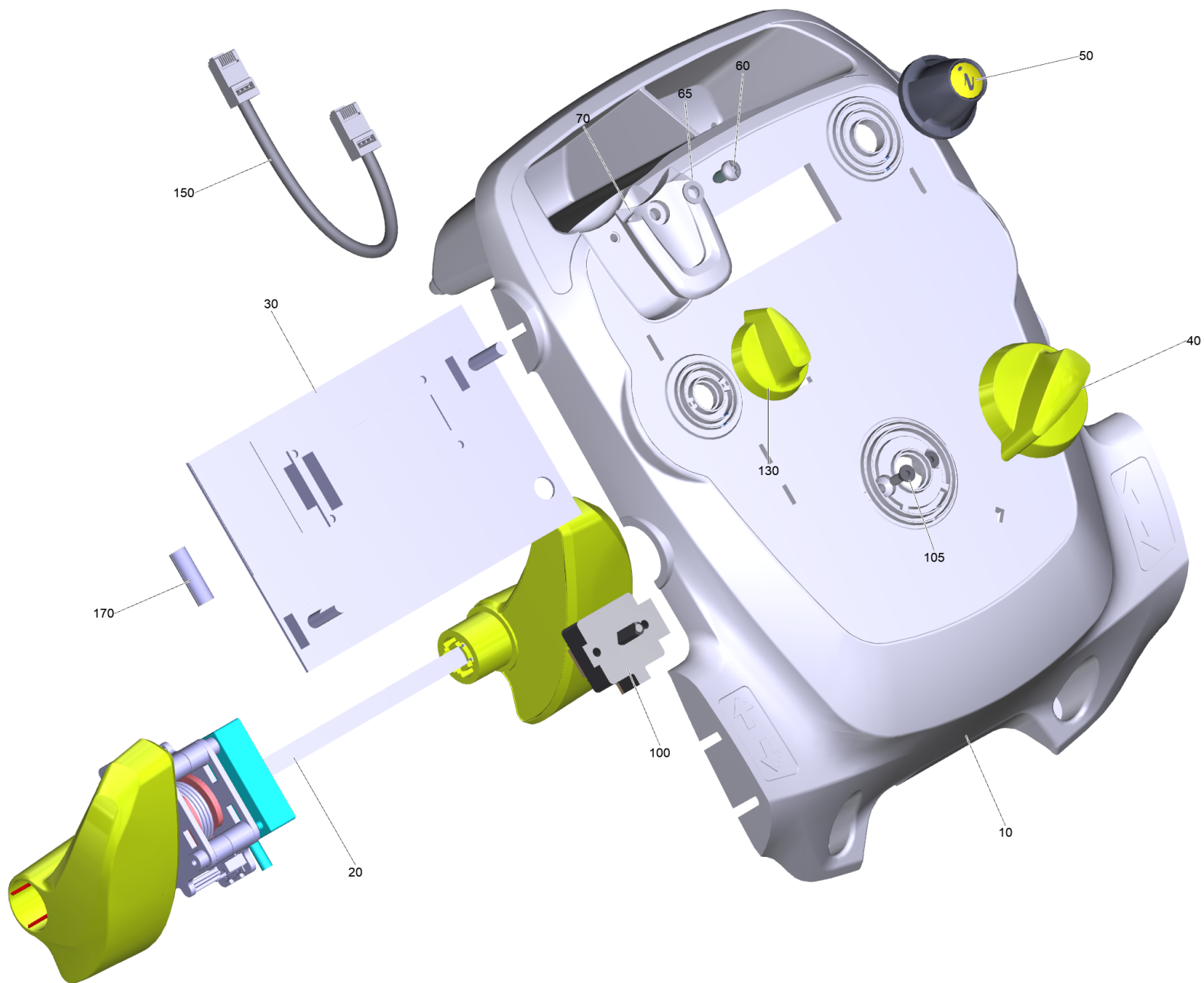
100 Vacuum motor enclosure

POS	Article no.	Description	Quantity	Unit
10	5.034-034.0	Air circulation turbine above foamed	1	PC
20	5.034-032.0	Air circulation turbine bottom	1	PC
30	5.035-333.0	Bearing vacuum motor	1	PC
40	5.035-332.0	Joint ring turbine	1	PC
50	5.363-395.0	Seal	1	PC
900	4.035-580.0	Vacuum motor replacement	1	PC
910	4.034-009.0	Air circulation turbine replacement	1	PC



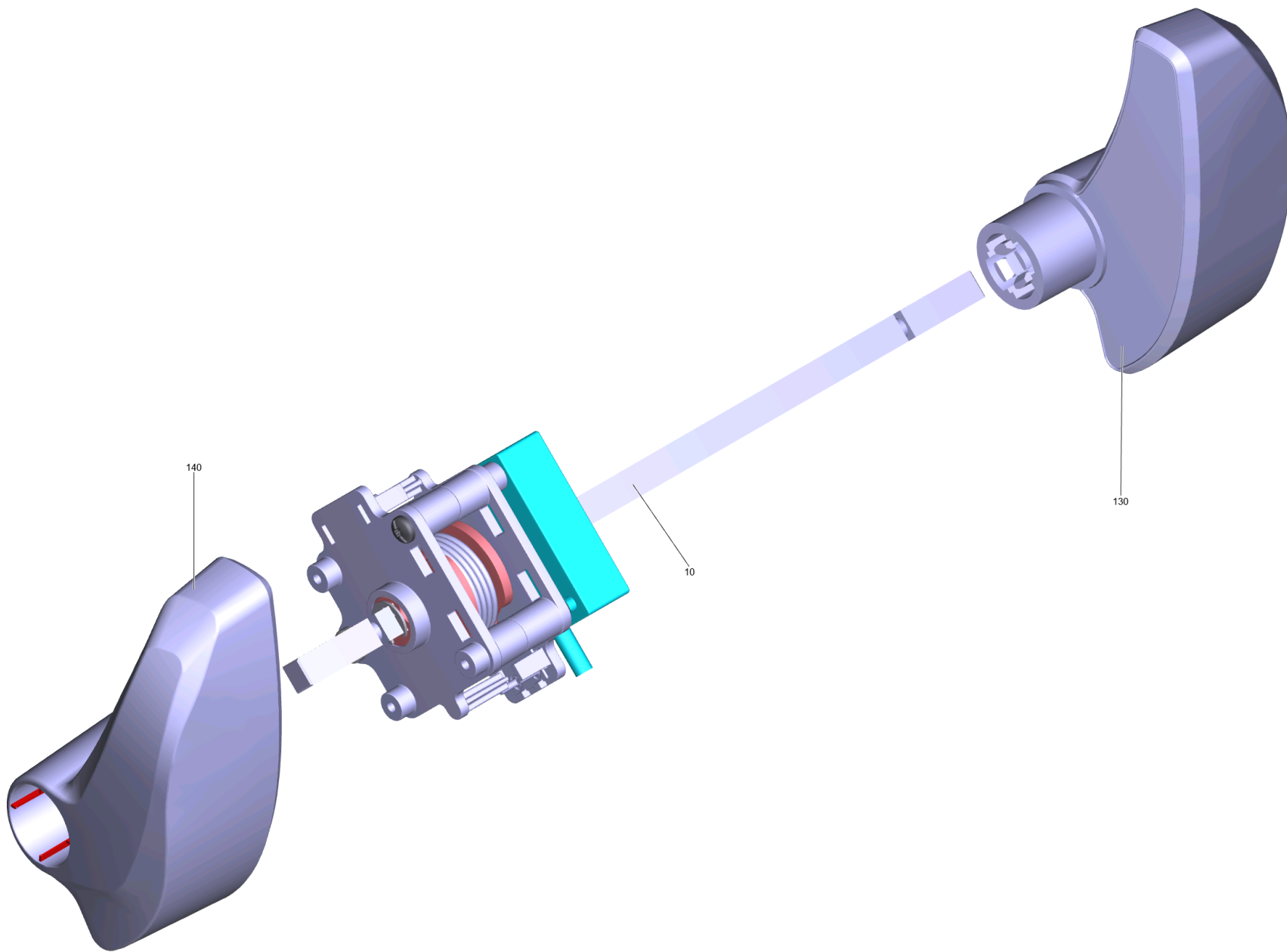
20 Control panel complete 40W Bp Fleet EU

POS	Article no.	Description	Quantity	Unit	Foot note text
10	4.035-131.0	Housing control panel replacement Bp W	1	PC	
10	5.035-219.0	Housing bottom part control panel	1	PC	
20		Covering cap control panel complete BAT	1	PC	
30	5.035-344.0	Key yellow KIK	1	PC	
40	7.303-108.0	Screw 5x20 -10.9-R2R (In6Rd)	7	PC	
50	5.035-348.0	Key grey KIK	1	PC	
60	4.822-986.0	False group cable harness overview B40/60/80/120	1	PC	
80	6.330-111.0	Adapter RJ45 Y-Splitter	1	PC	
81	5.035-196.0	Plate stiffener	1	PC	VERSION 2
90	5.033-829.0	Rubber stopper control panel	1	PC	
99	5.035-337.0	Key red KIK	1	PC	
200	2.644-094.0	KAERCHER reversion kit Fleet Services EU* B40-B120 CAN	1	PC	
9000	4.035-064.0	Set key white KIK	1	PC	SET WITH 5 PIECES
9000	4.035-076.0	Key white KIK	1	PC	
9001	6.574-216.0	Ferrite core	1	PC	



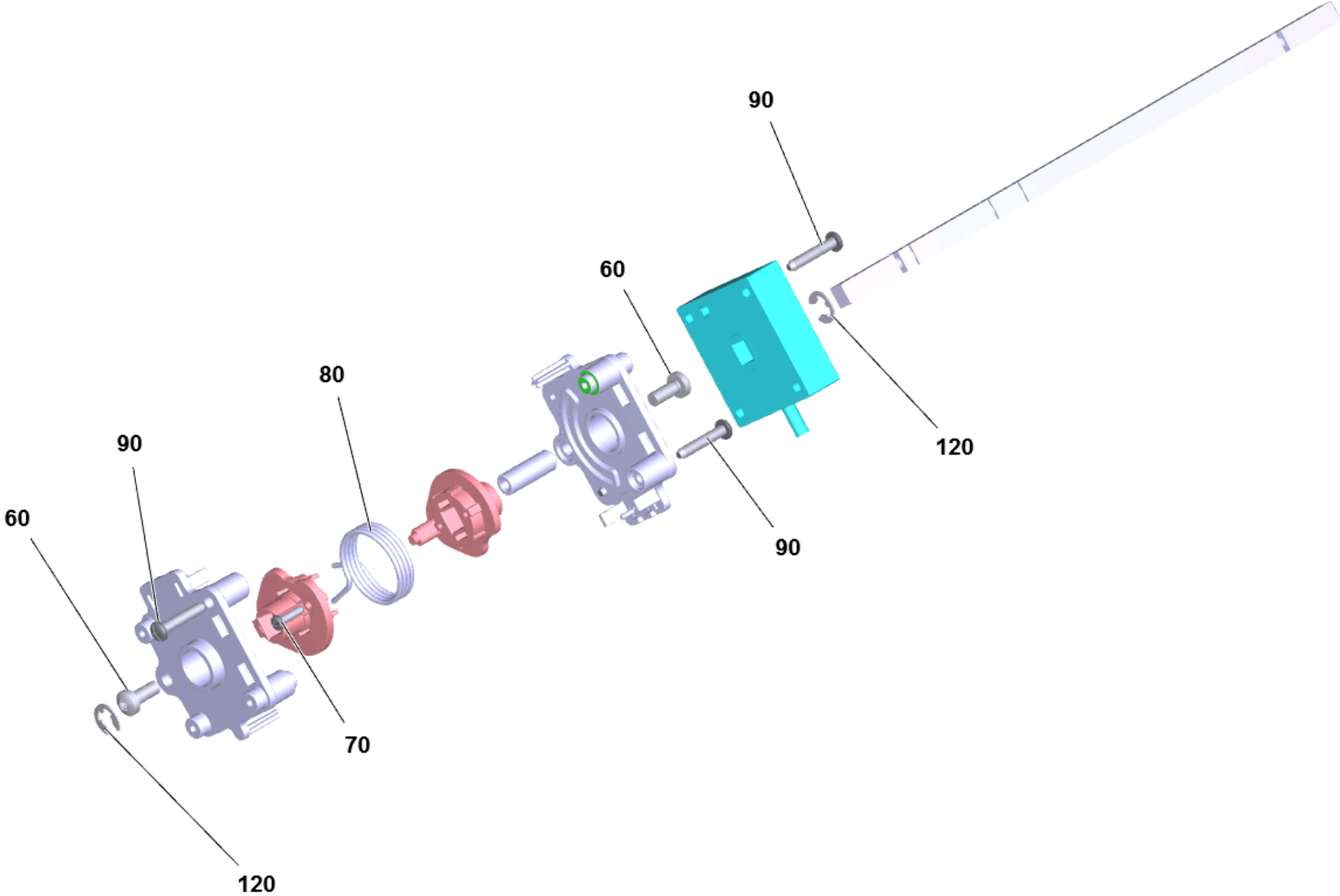
20 Covering cap control panel complete BAT

POS	Article no.	Description	Quantity	Unit	Foot note text
10	4.035-118.0	Covering cap control panel replacement B	1	PC	WITH SLOT FOR 5.033-829.0
10	4.035-413.0	Covering cap control panel foil Bp W	1	PC	WITHOUT SLOT FOR 5.033-829.0
20	4.035-000.0	Tachograph complete	1	PC	
30	4.683-311.3	Circuit board replacement W	1	PC	
40	4.035-608.0	Handhold operational concept complete	1	PC	
50	5.321-750.0	Handhold info panel	1	PC	
60	7.303-274.0	Screw 5x12 -A2-70 (In6Rd)	1	PC	
65	7.312-052.0	Washer 5 -A2 ISO 7089	1	PC	
70	5.035-343.0	Guide key	1	PC	
100	4.035-415.0	Switch program selection replacement	1	PC	
105	7.305-036.0	Countersunk screw M4x12 -A2-70-s (IN6RD	2	PC	
130	5.035-437.0	Rotary controller	1	PC	
150	6.649-933.0	Cable Patch	1	PC	
170	6.388-958.0	Hose	1	m	TO ORDER AS CUT GOODS



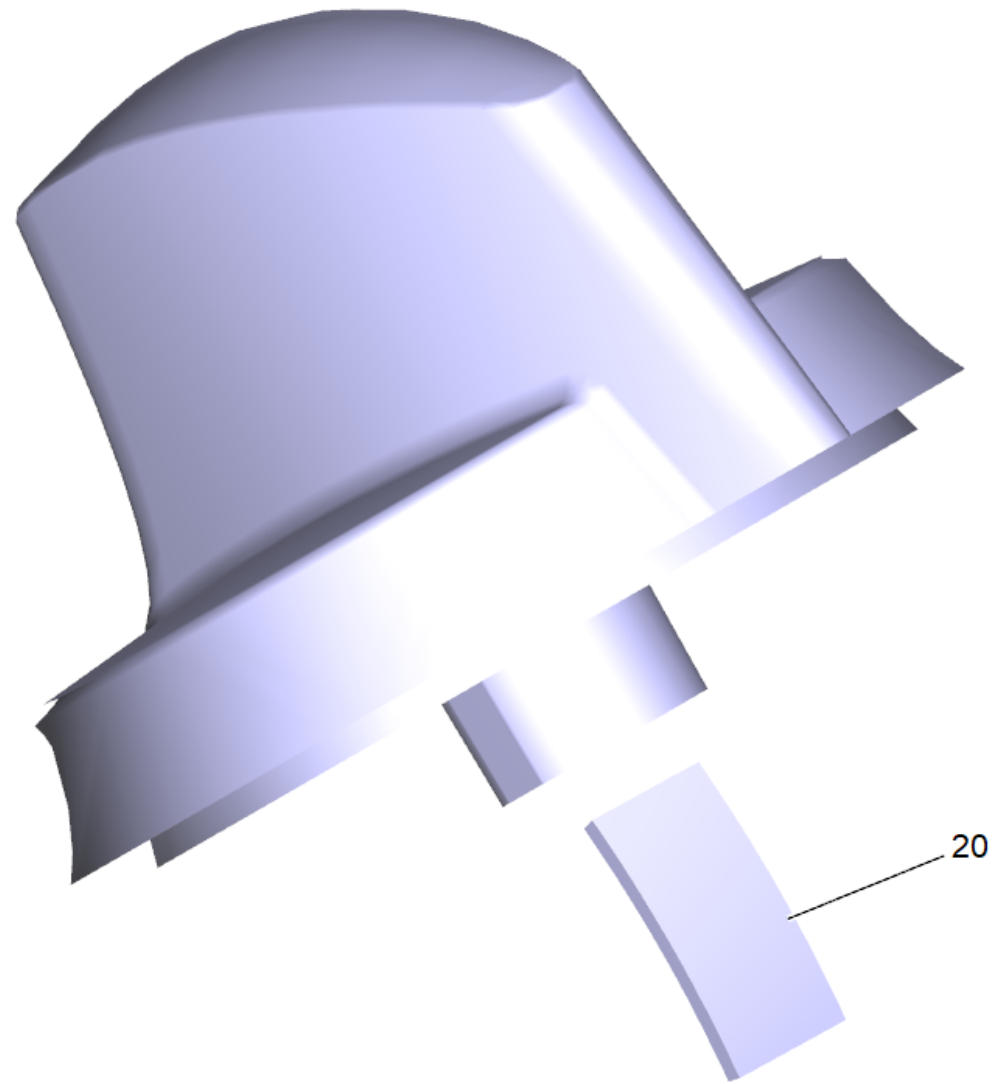
20 Tachograph complete (4.035-000.0)

POS	Article no.	Description	Quantity	Unit
10	4.035-002.0	Tachograph set	1	PC
130	4.035-495.0	Tachograph right complete	1	PC
140	4.035-496.0	Tachograph left complete	1	PC



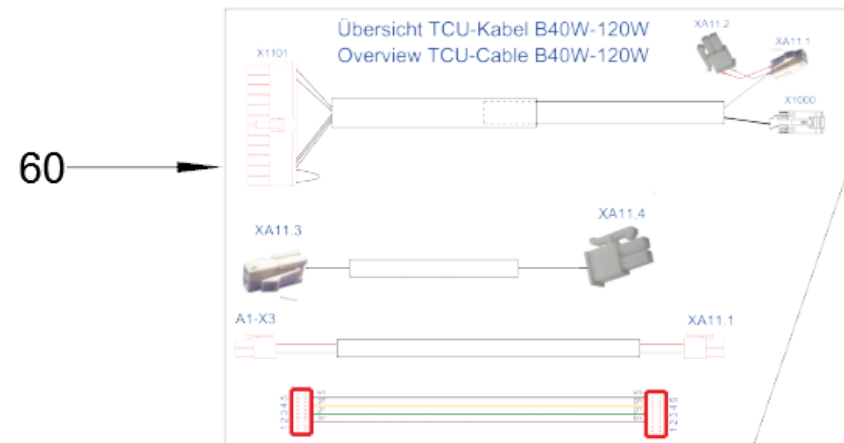
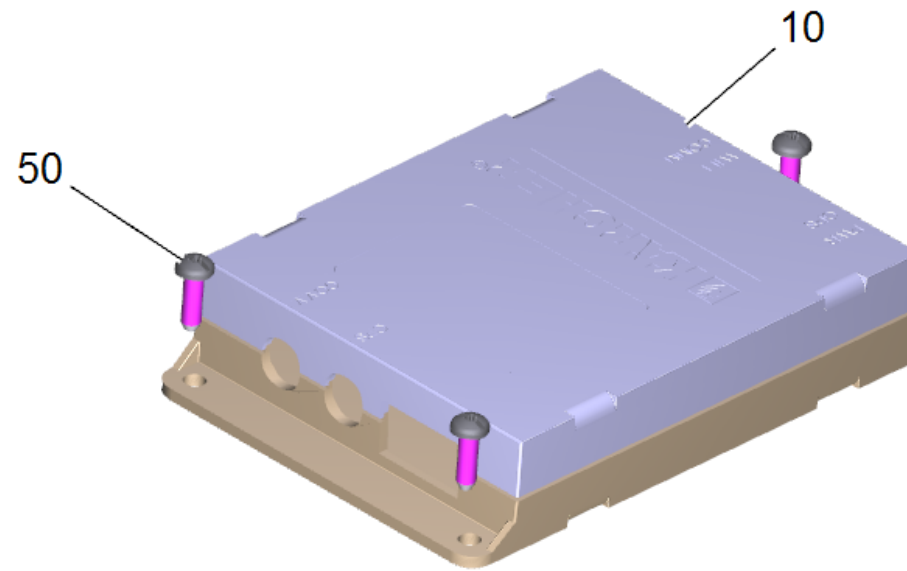
10 Tachograph set (4.035-002.0)

POS	Article no.	Description	Quantity	Unit
60	7.306-394.0	Screw M5x12 -8.8-ZNBHL ISO 14583	2	PC
70	6.303-557.0	Screw 3x12 Kombitorx T8	2	PC
80	6.330-441.0	Torsion spring tachograph	1	PC
90	7.303-096.0	Screw 4x22-ST-10.9-R2R (IN6RD)	4	PC
120	7.343-201.0	Lock washer 6-FST-PHR DIN 6799	2	PC



40 Handhold operational concept complete (4.035-608.0)

POS	Article no.	Description	Quantity	Unit
20	6.313-014.0	Spring element	1	PC

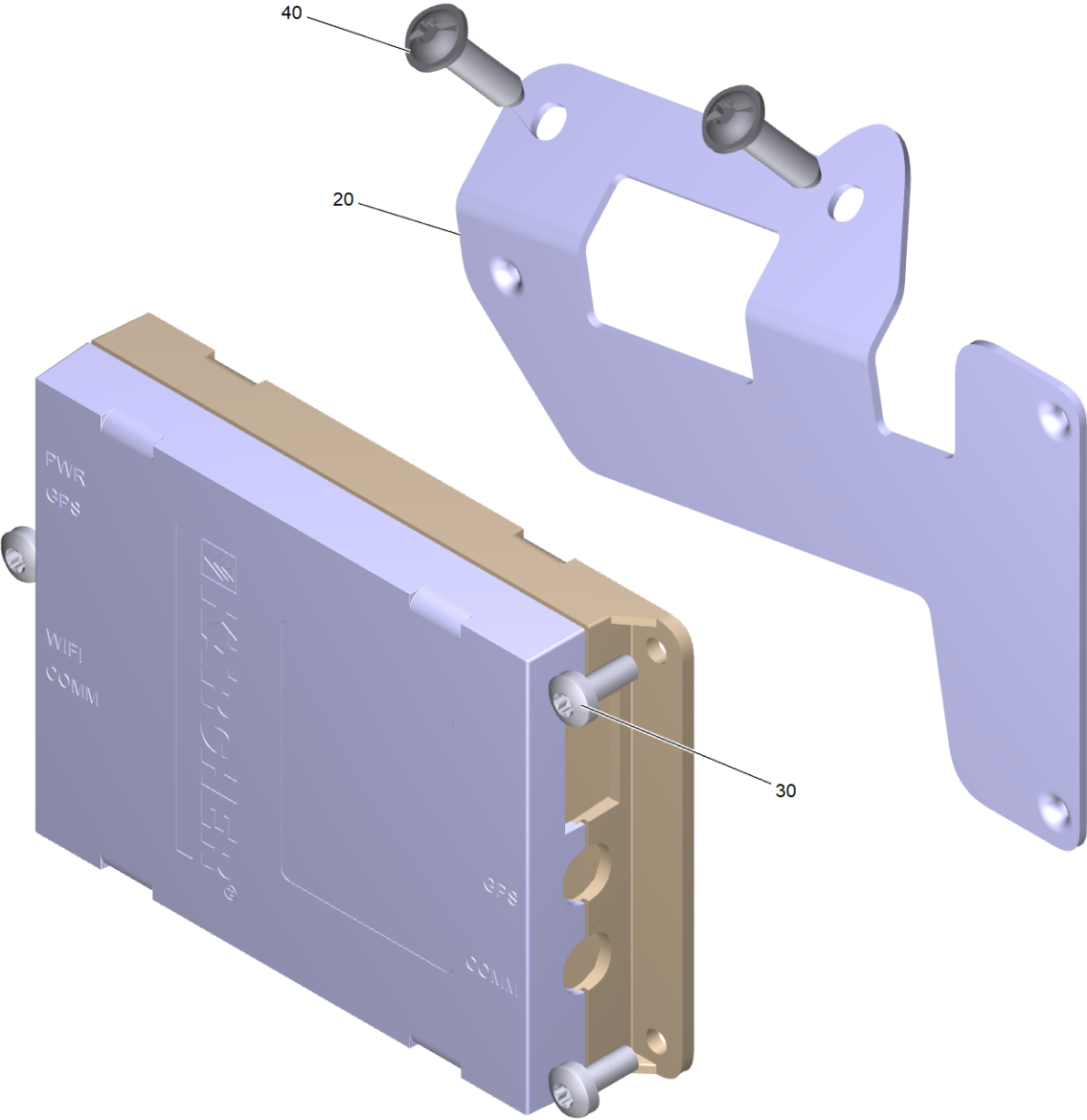


200 KAERCHER reversion kit Fleet Services EU* B40-B120 CAN (2.644-094.0)

POS	Article no.	Description	Quantity	Unit
10	2.644-213.0	Kaercher Fleet services B110R	1	PC
50	7.303-102.0	Screw 3,5x12 -A2-70-bk (In6Rd)	3	PC
60	4.822-986.0	False group cable harness overview B40/60/80/120	1	PC

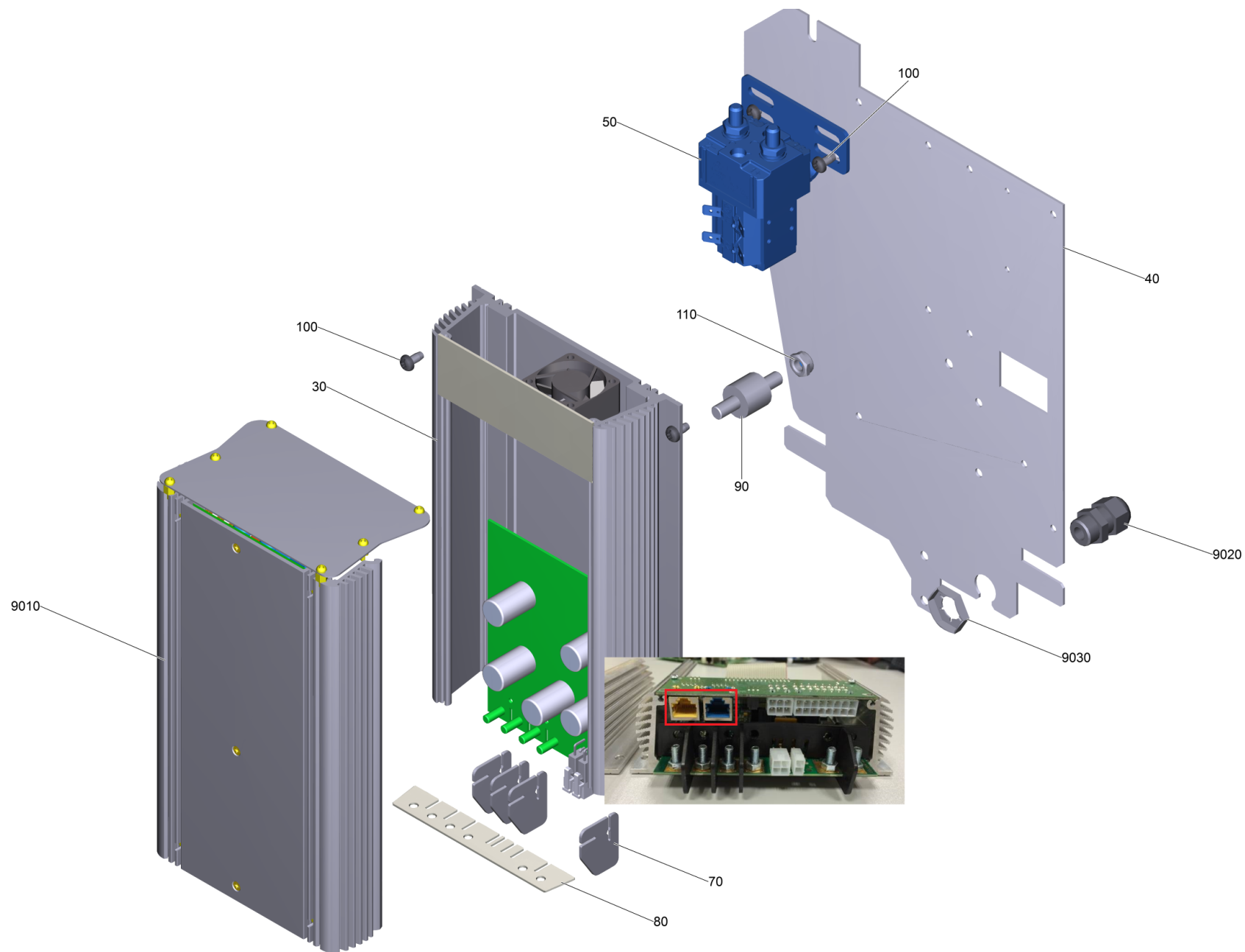
10 Kaercher Fleet services B110R (2.644-213.0)

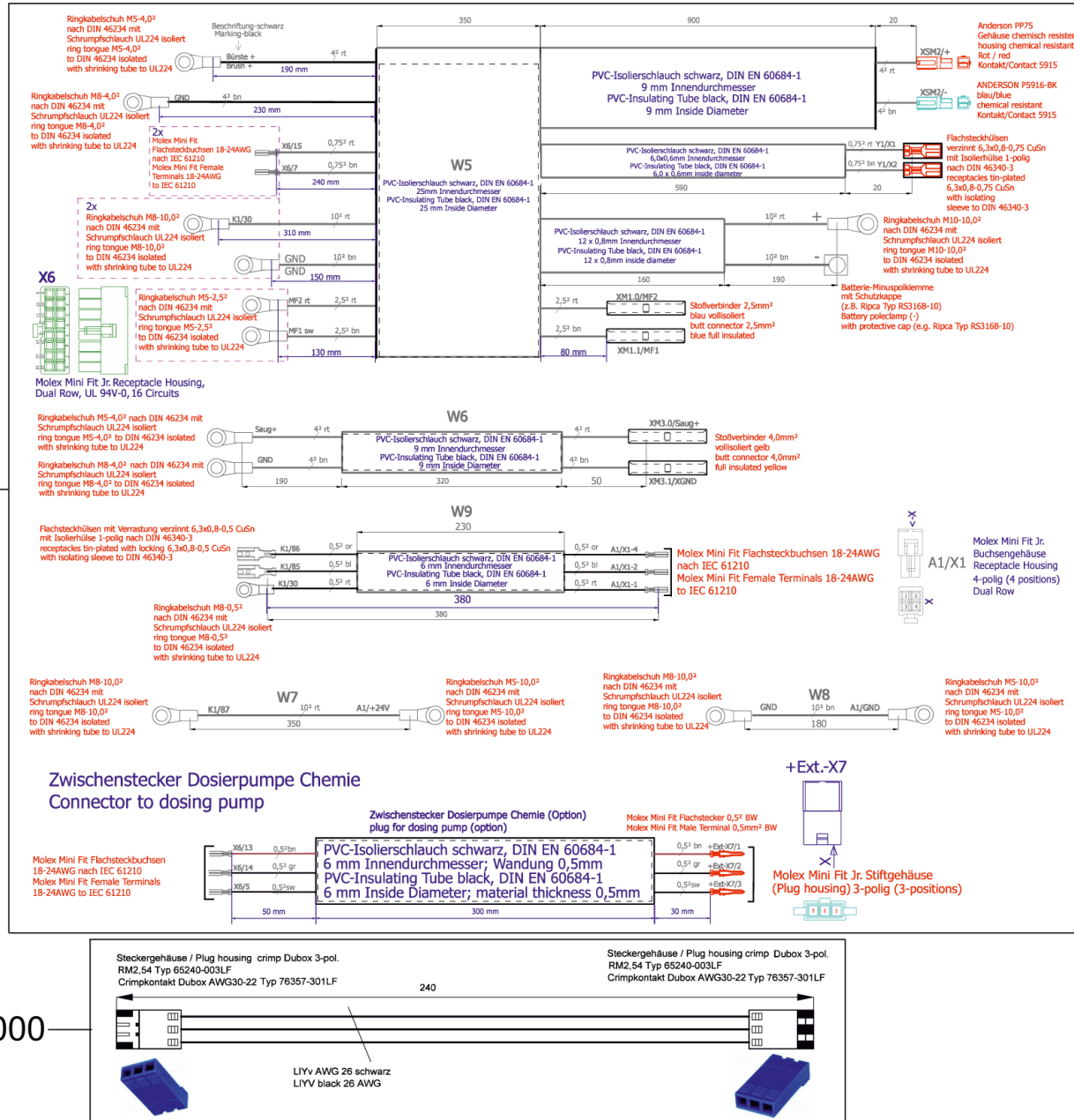
POS	Description	Quantity	Unit
10	Kaercher Fleet services B110R	1	PC



10 Kaercher Fleet services B110R

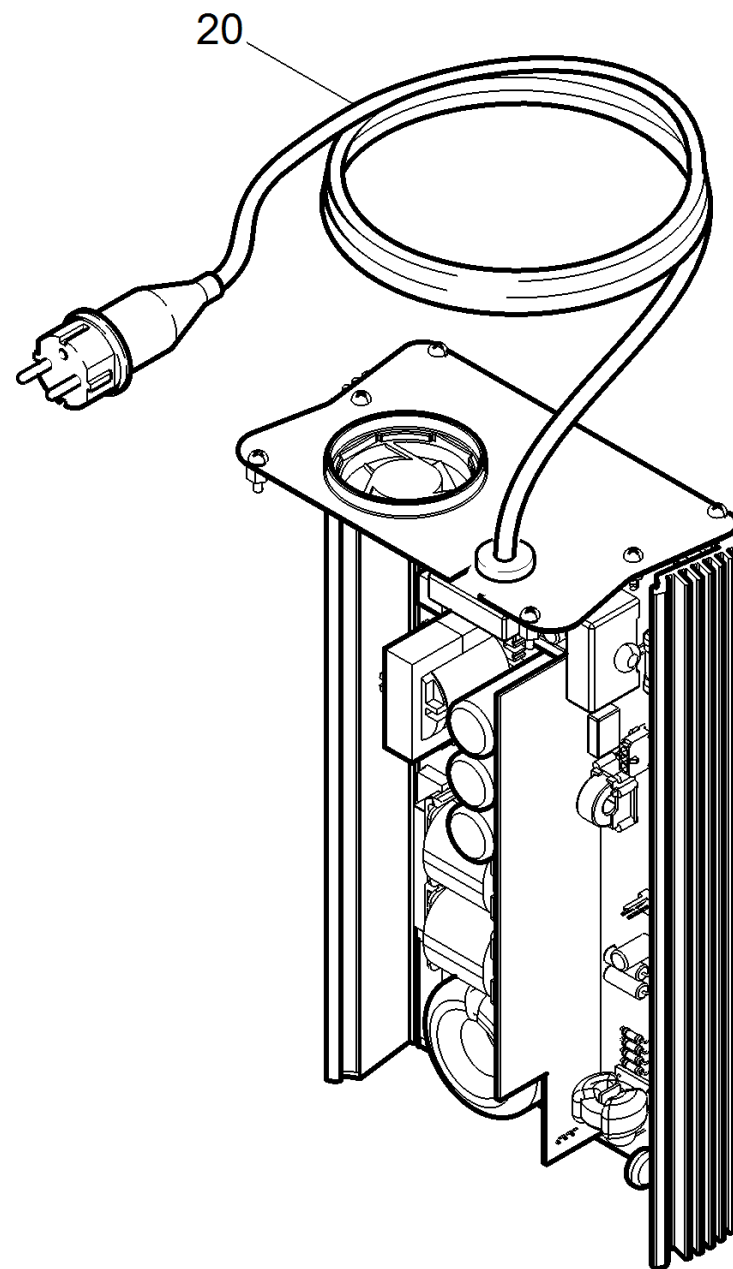
POS	Article no.	Description	Quantity	Unit
20	5.039-431.0	Retaining plate fleet management module B110	1	PC
30	7.306-206.0	Screw M4x10 -A2-70 ISO 14583	3	PC
40	7.303-108.0	Screw 5x20 -10.9-R2R (In6Rd)	2	PC





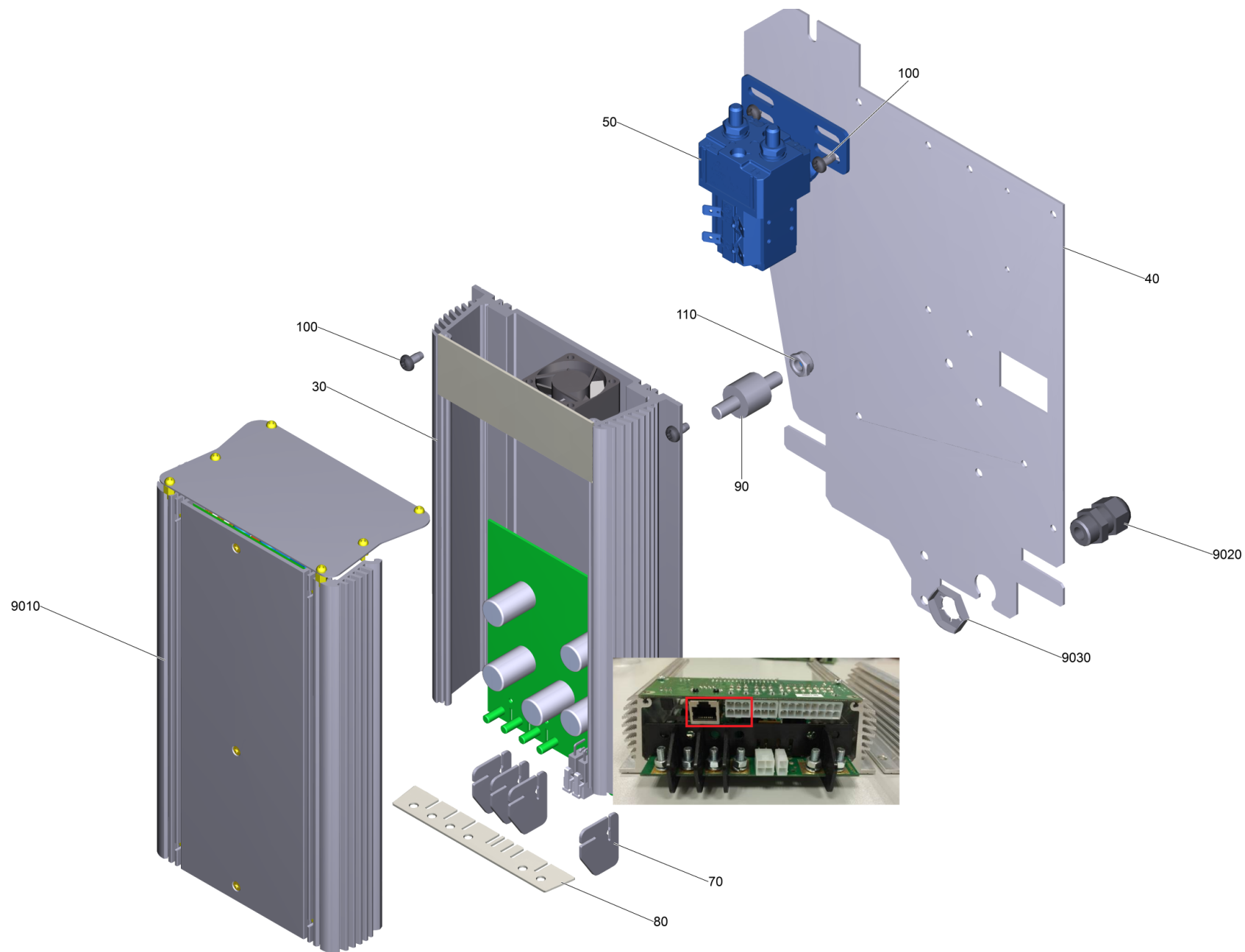
40 Electric equipment B40 W Bp Dose CAN

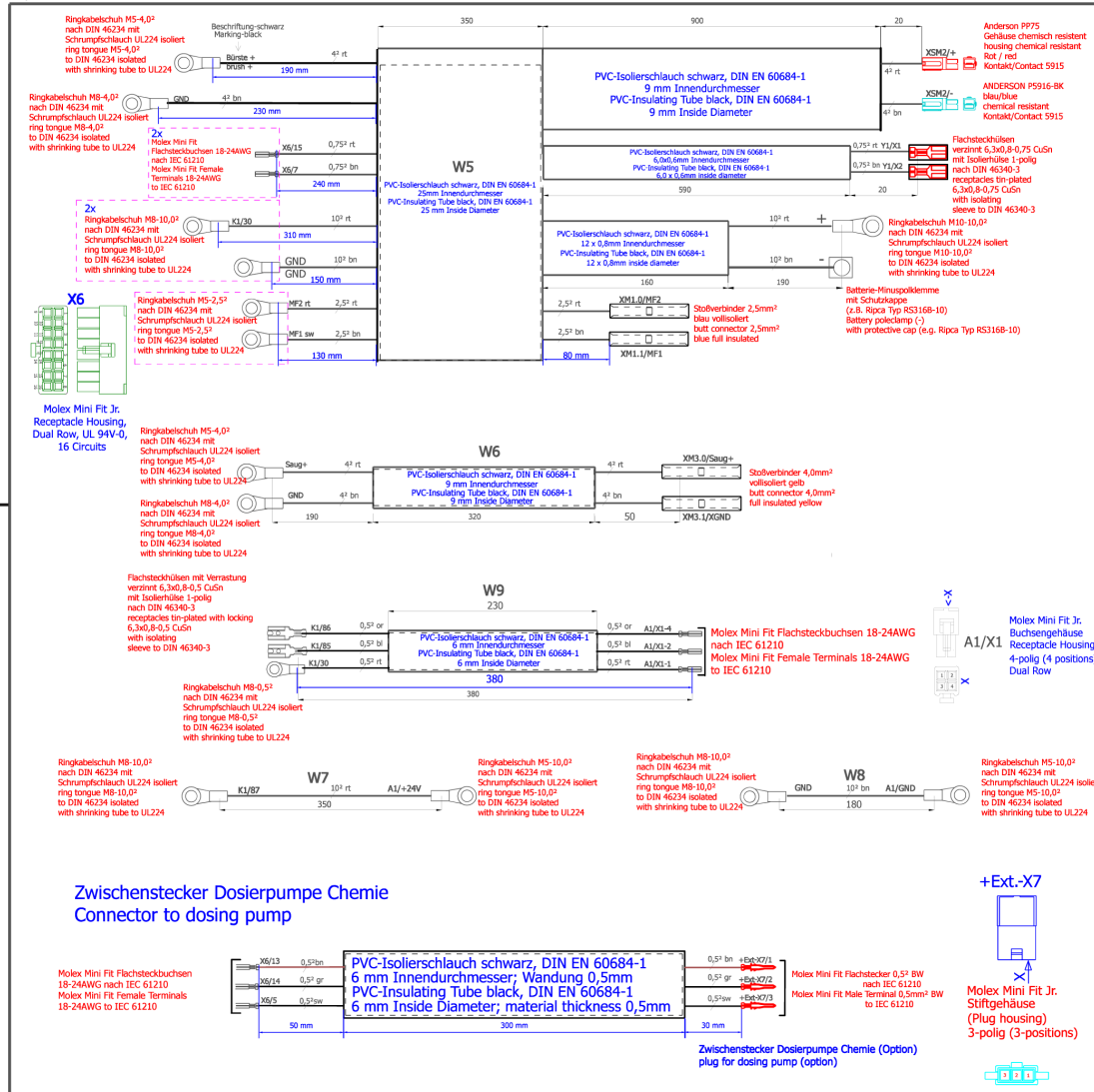
POS	Article no.	Description	Quantity	Unit
10	4.822-900.0	Cable harness B40 W	1	PC
30	4.683-075.0	Electronics control system replacement B	1	PC
40	5.035-449.0	Plate base plate electronics	1	PC
50	4.633-110.0	Relay replacement set	1	PC
70	5.035-359.0	Moulded part plate electronics klein	4	PC
80	5.035-362.0	Moulded part plate electronics	1	PC
90	6.652-033.0	Isolator	1	PC
100	7.303-037.0	Screw M5x10 -St-P2R (In6Rd)	6	PC
110	7.311-427.0	Hexagon nut M8 -04-A2E DIN 985	1	PC
9000	6.645-554.0	Connecting cable control system battery charger	1	PC
9010	6.683-119.0	Battery charger replacement B 40 *EU	1	PC
9020	6.648-399.0	Cable gland black M16x1,5	1	PC
9030	7.777-999.0	Stockpiling discontinued	1	PC



9010 Battery charger replacement B 40 *EU (6.683-119.0)

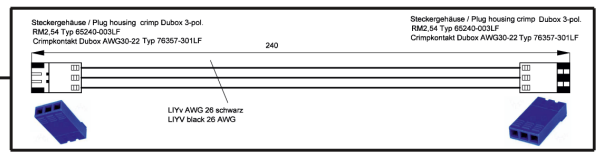
POS	Article no.	Description	Quantity	Unit	Remark
20	6.645-553.0	Cable with plug	1	PC	*EU
20	6.645-586.0	Cable with plug B40-USA	1	PC	*US





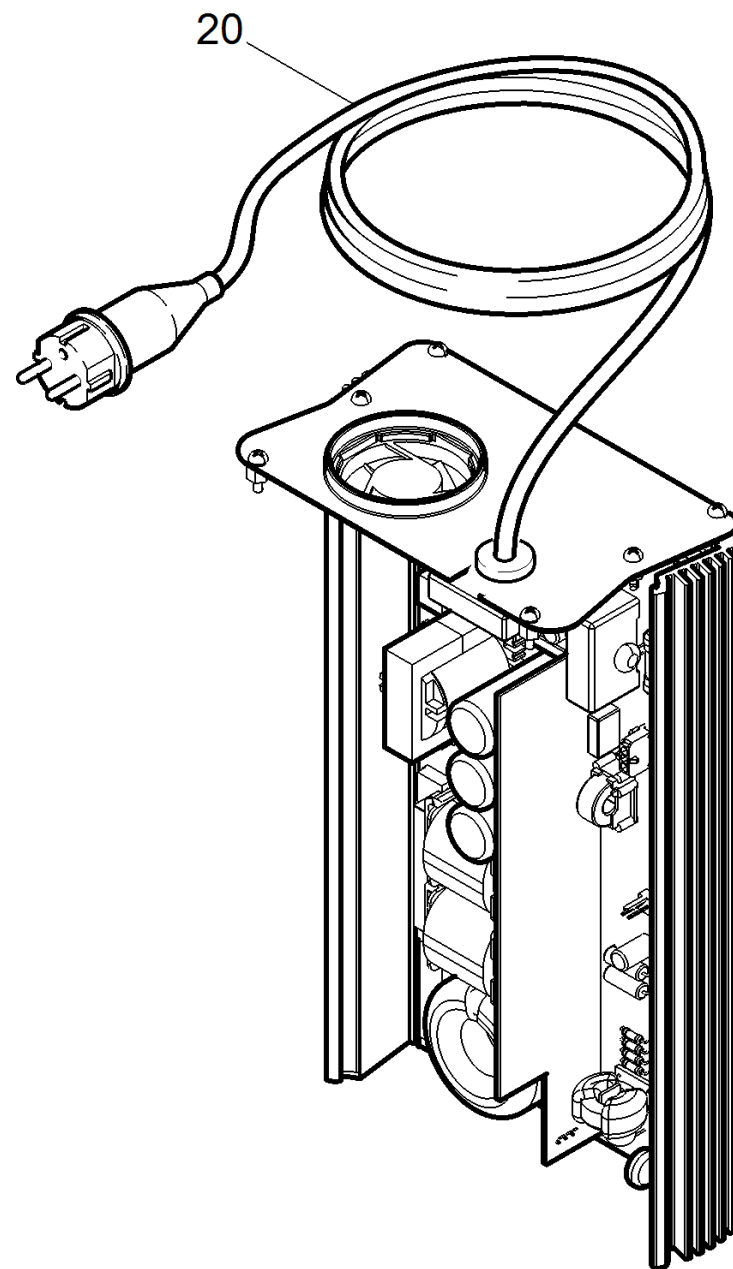
10

9000



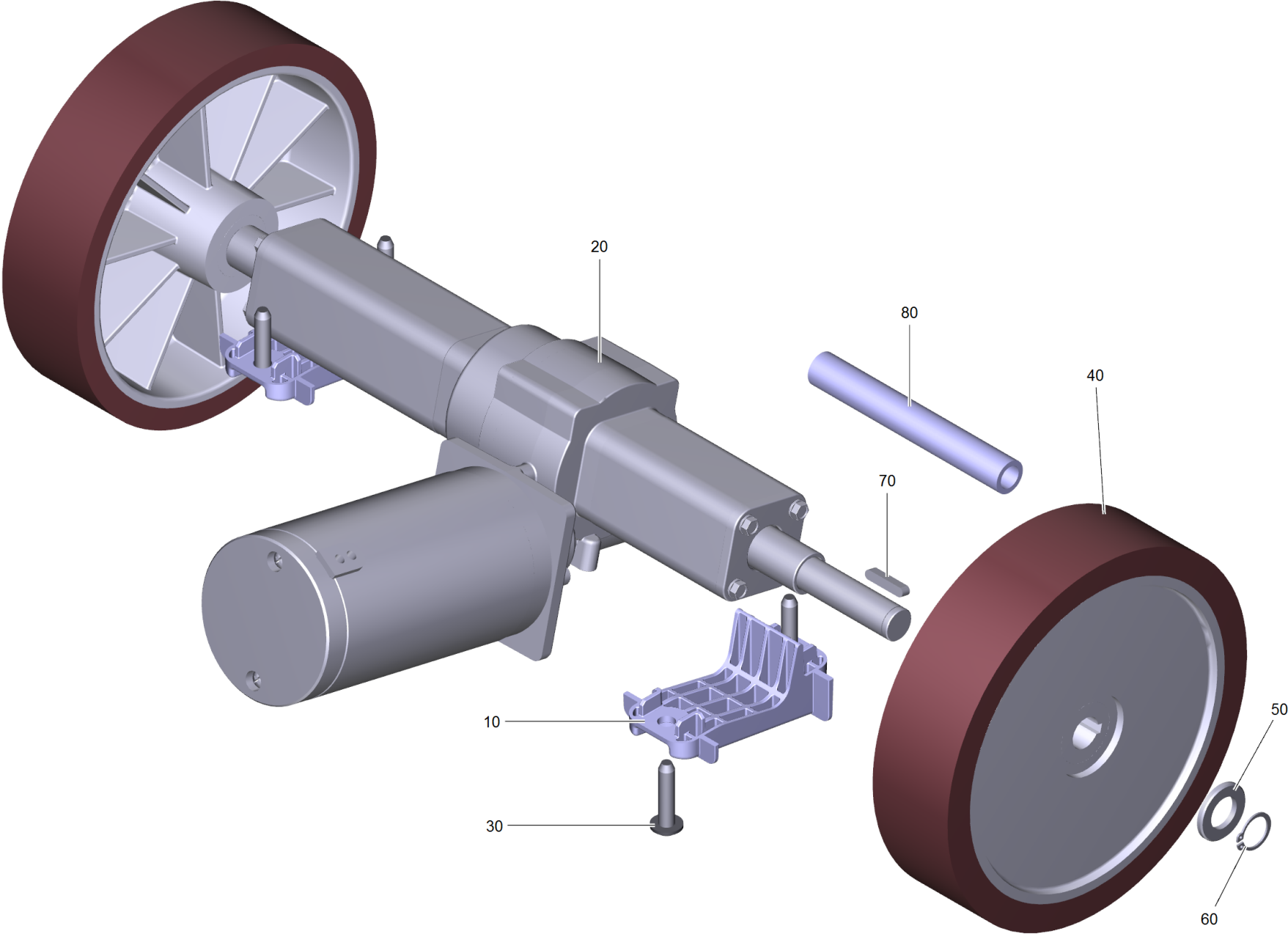
40 Electric equipment B40 W Bp Dose

POS	Article no.	Description	Quantity	Unit
10	4.822-900.0	Cable harness B40 W	1	PC
30	4.683-075.0	Electronics control system replacement B	1	PC
40	5.035-449.0	Plate base plate electronics	1	PC
50	6.633-389.0	Relay 24VDC / 100A	1	PC
70	5.035-359.0	Moulded part plate electronics klein	4	PC
80	5.035-362.0	Moulded part plate electronics	1	PC
90	6.652-033.0	Isolator	1	PC
100	7.303-037.0	Screw M5x10 -St-P2R (In6Rd)	6	PC
110	7.311-427.0	Hexagon nut M8 -04-A2E DIN 985	1	PC
120	6.648-399.0	Cable gland black M16x1,5	1	PC
130	7.777-999.0	Stockpiling discontinued	1	PC
9000	6.645-554.0	Connecting cable control system battery charger	1	PC
9010	6.654-337.0	Battery charger replacement B 40 Japan	1	PC
9010	6.683-119.0	Battery charger replacement B 40 *EU	1	PC
9020	6.648-399.0	Cable gland black M16x1,5	1	PC
9030	7.777-999.0	Stockpiling discontinued	1	PC



9010 Battery charger replacement B 40 *EU (6.683-119.0)

POS	Article no.	Description	Quantity	Unit	Remark
20	6.645-553.0	Cable with plug	1	PC	*EU
20	6.645-586.0	Cable with plug B40-USA	1	PC	*US

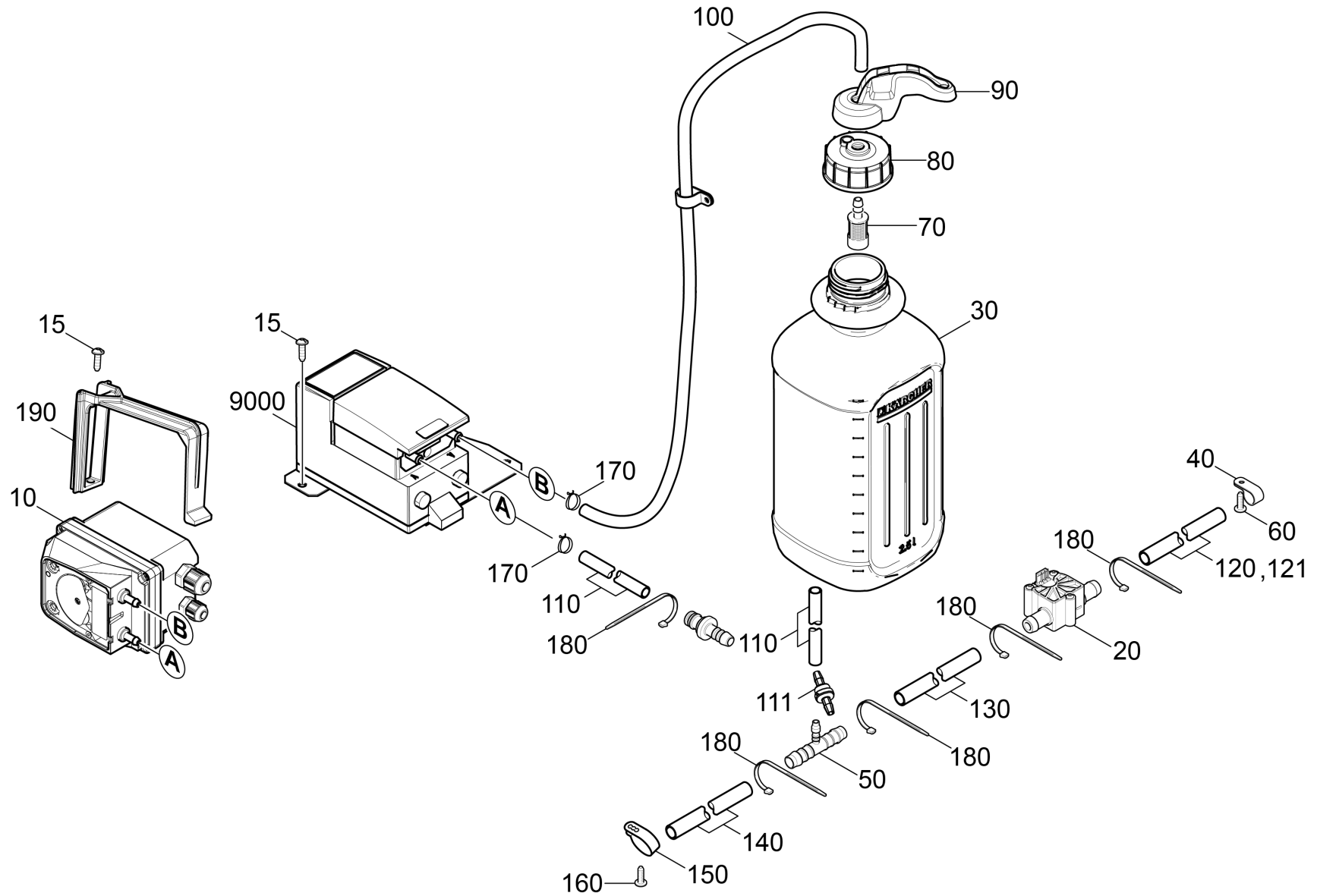


70 Gear complete B 40 W

POS	Article no.	Description	Quantity	Unit	Foot note text
10	5.035-351.0	Holder wheel drive motor	2	PC	
20	6.613-512.3	Wheel drive motor B40W	1	PC	
30	6.303-315.0	Screw 8 x 35	4	PC	
40	6.035-055.0	Wheel transmission conductive D200x50	2	PC	CHANGE BOTH WHEELS!
50	7.312-057.0	Washer 16 -A2 ISO 7089	2	PC	
60	7.343-029.0	Locking ring 17x1-FST-RF DIN 471	2	PC	
70	7.318-009.0	Parallel key 5x5x40-C45K DIN 6885	2	PC	
80	6.642-011.0	Insulating hose 10	1	m	TO ORDER AS CUT GOODS

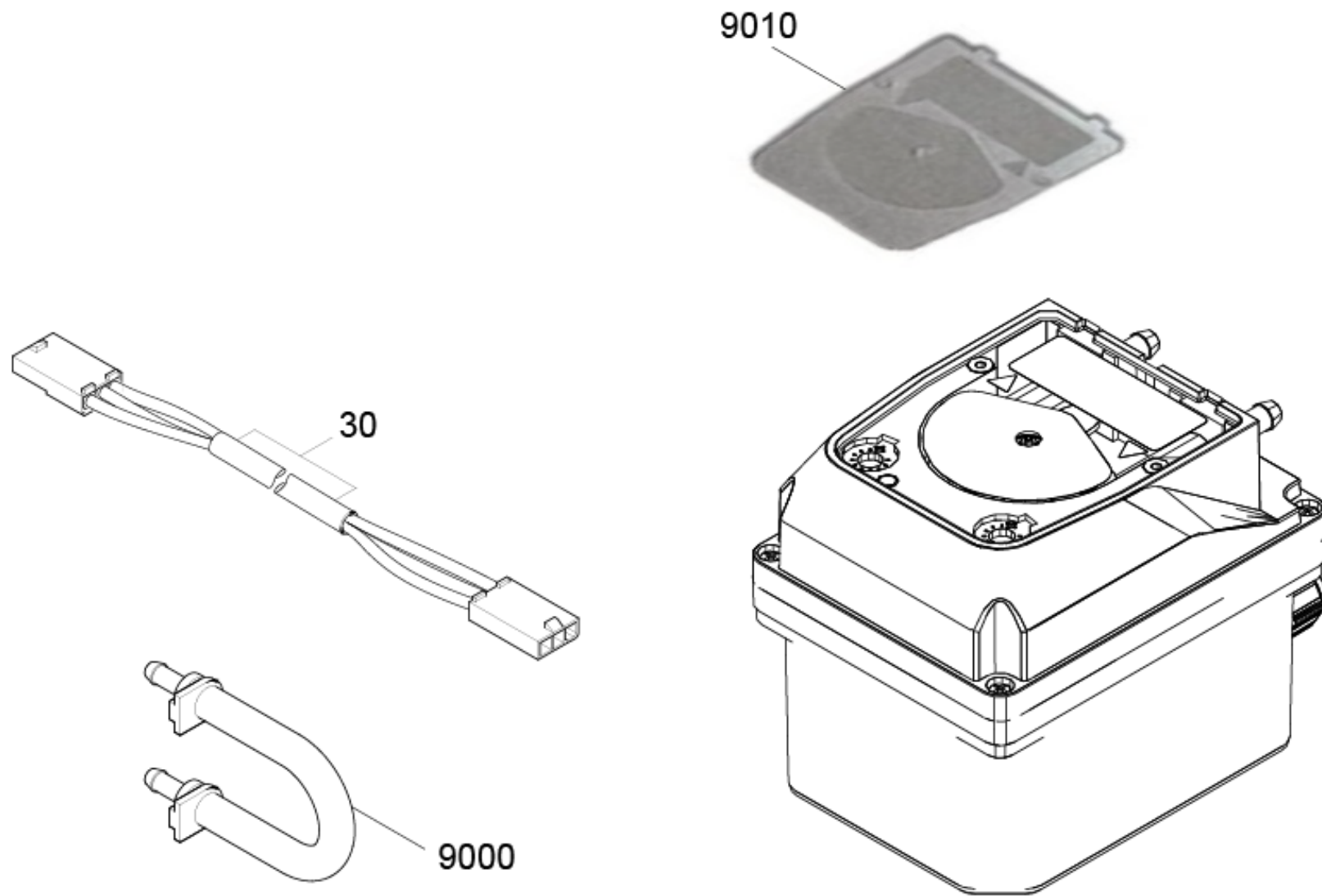
20 Wheel drive motor B40W (6.613-512.3)

POS	Article no.	Description	Quantity	Unit
10	6.490-069.0	Carbon brush set	1	PC



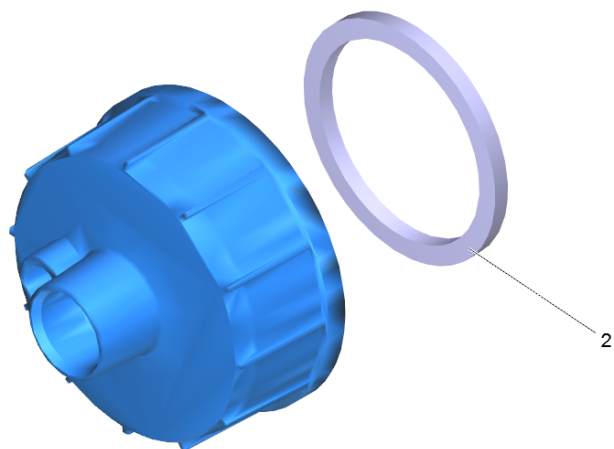
80 RM tin B40

POS	Article no.	Description	Quantity	Unit	Foot note text
10	4.762-028.0	Dosing pump replacement B40 B60 B80	1	PC	
15	7.303-107.0	Screw 5x16 -10.9-P2R (K-In6Rd)	1	PC	
20	6.429-038.3	Flowmetre	1	PC	
30	6.295-915.0	RM 756** 2,5l Multi Cleaner	1	PC	
40	6.373-877.0	Hose clip	4	PC	
50	6.395-188.0	T-Piece 12-6-12	1	PC	
60	7.303-107.0	Screw 5x16 -10.9-P2R (K-In6Rd)	4	PC	
70	5.731-652.0	Filter with weight	1	PC	
80	4.060-866.0	Cover cleaning agents complete	1	PC	
90	5.035-659.0	Hose guide cleaning agents	1	PC	
100	6.391-341.0	Hose chemistry DN 6	0,54	m	TO ORDER AS CUT GOODS
110	6.391-341.0	Hose chemistry DN 6	0,42	m	TO ORDER AS CUT GOODS
111	6.412-015.0	Check valve	1	PC	
120	6.390-892.0	Spiral hose NW12	0,395	m	TO ORDER AS CUT GOODS
121	5.100-411.0	Spiral hose	0,38	m	TO ORDER AS CUT GOODS
130	6.388-248.0	Hose DN12,7	0,08	m	TO ORDER AS CUT GOODS
140	6.390-892.0	Spiral hose NW12	0,11	m	TO ORDER AS CUT GOODS
150	6.641-461.0	Cable clamp 20	1	PC	
160	7.303-107.0	Screw 5x16 -10.9-P2R (K-In6Rd)	1	PC	
170	6.389-924.0	Hose clip	3	PC	
180	6.641-474.0	Cable tape 8-210	4	PC	
190	5.035-721.0	Holder cleaning agents pump	1	PC	
9000	7.777-999.0	Stockpiling discontinued	1	PC	



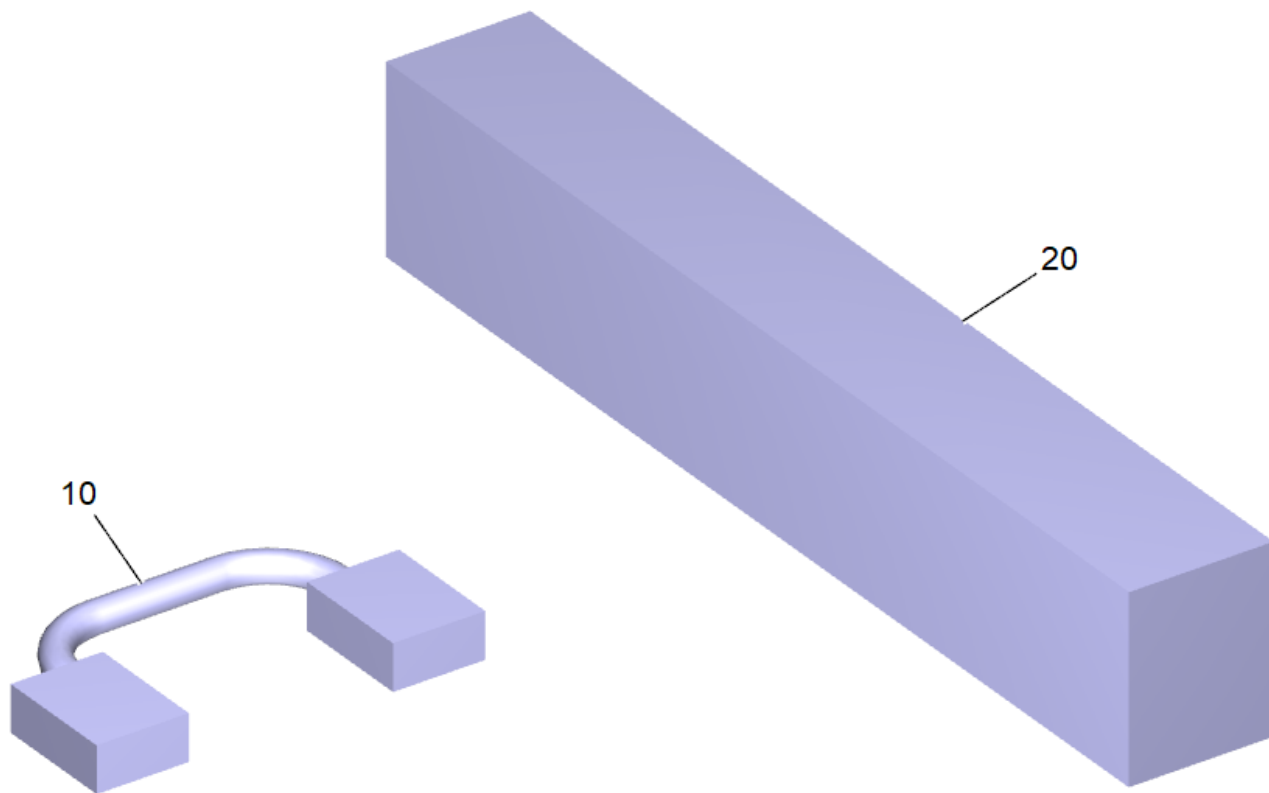
10 Dosing pump replacement B40 B60 B80 (4.762-028.0)

POS	Article no.	Description	Quantity	Unit
30	5.822-000.0	Connection cable Molex	1	PC
9000	4.035-476.0	Hose kit replacement SEKO	1	PC
9010	6.762-023.3	Cover plate dosing pump	1	PC



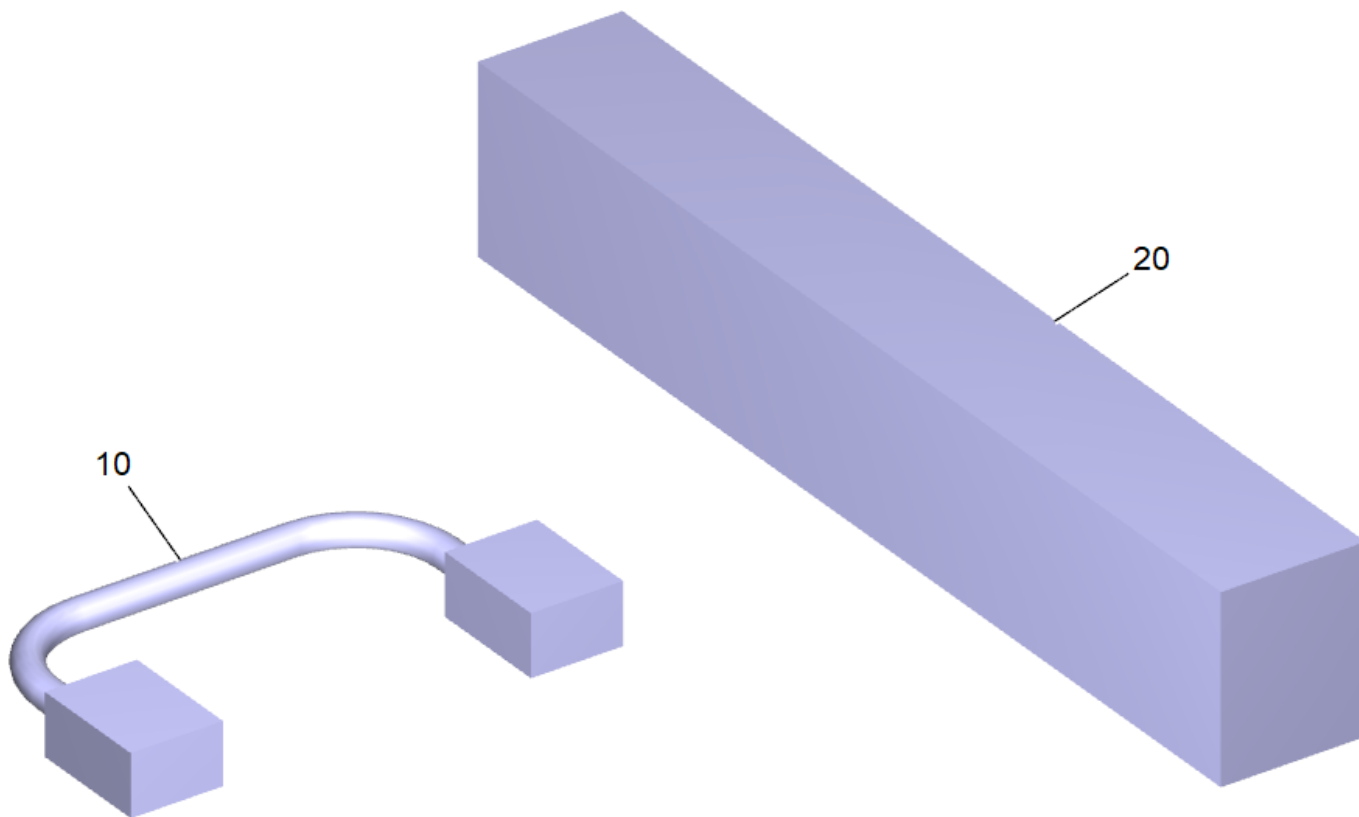
80 Cover cleaning agents complete (4.060-866.0)

POS	Article no.	Description	Quantity	Unit
2	6.363-304.0	Seal	1	PC



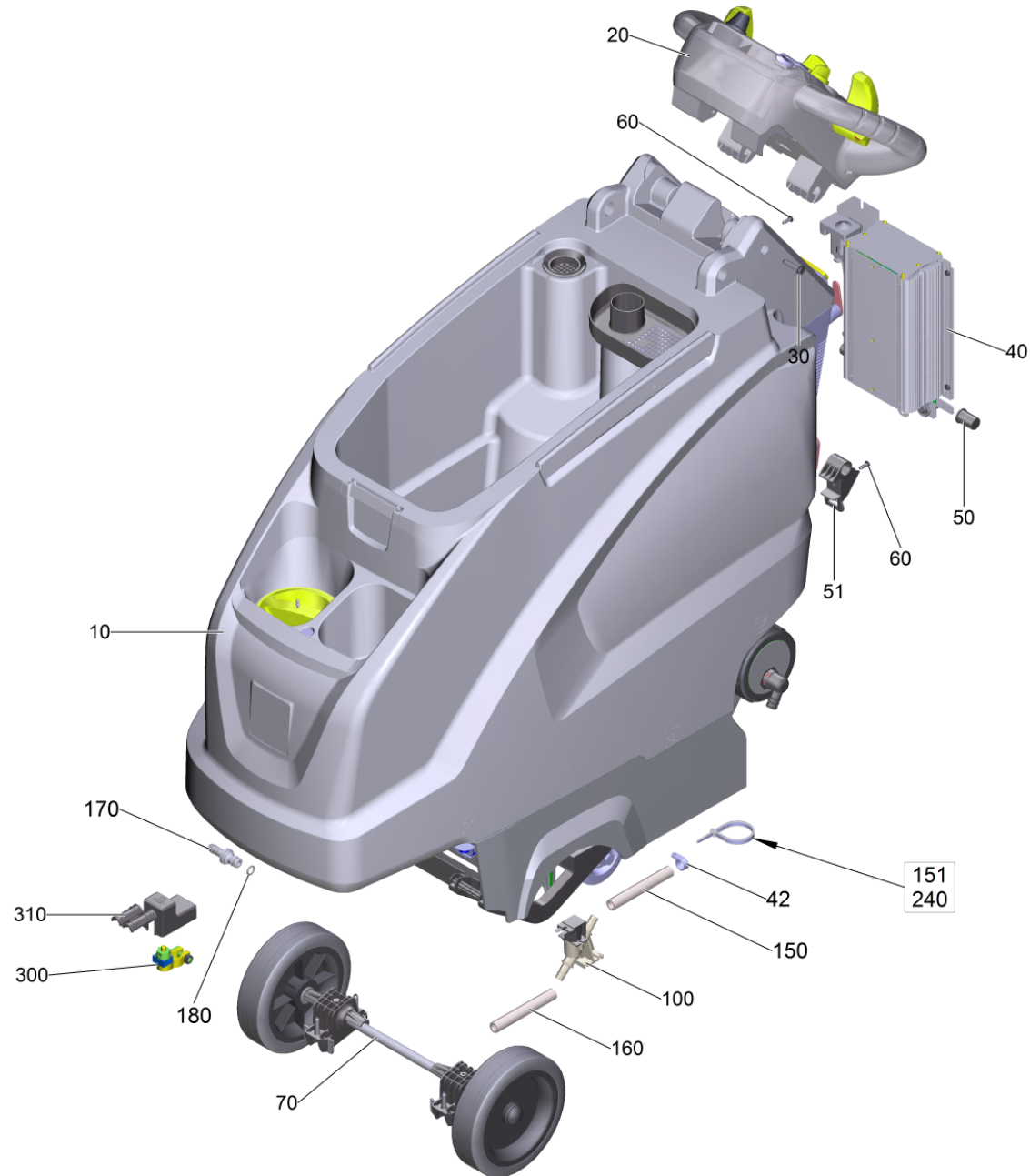
9523 Mounting kit battery kit (2.638-036.0)

POS	Article no.	Description	Quantity	Unit
10	6.649-879.0	Cable battery 25 mm ² . 160 mm	1	PC
20	5.642-021.0	Distance holder battery	1	PC



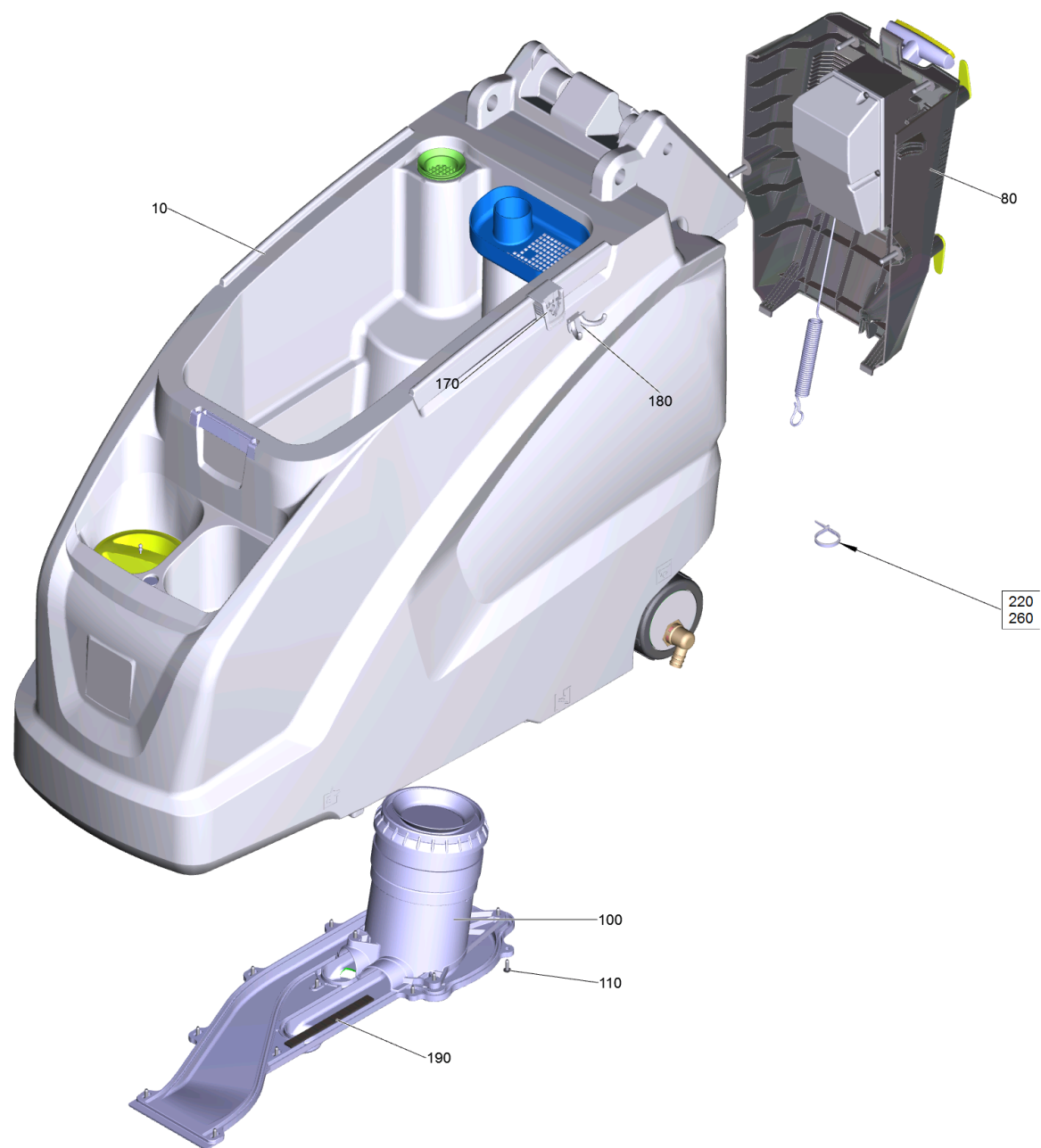
9531 Mounting kit battery kit (2.638-059.0)

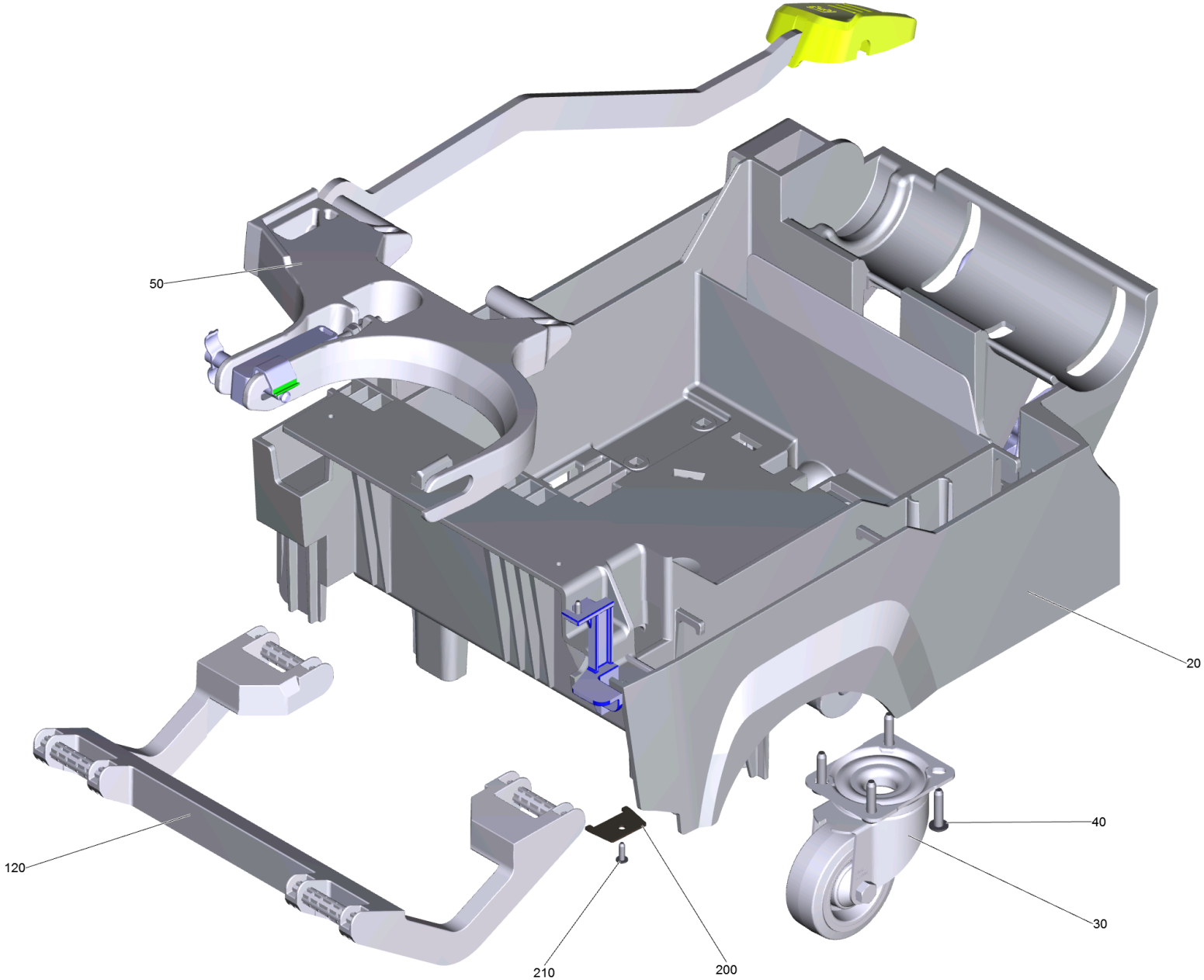
POS	Article no.	Description	Quantity	Unit
10	6.649-601.0	Cable battery short Hoppecke	1	PC
20	5.642-021.0	Distance holder battery	1	PC

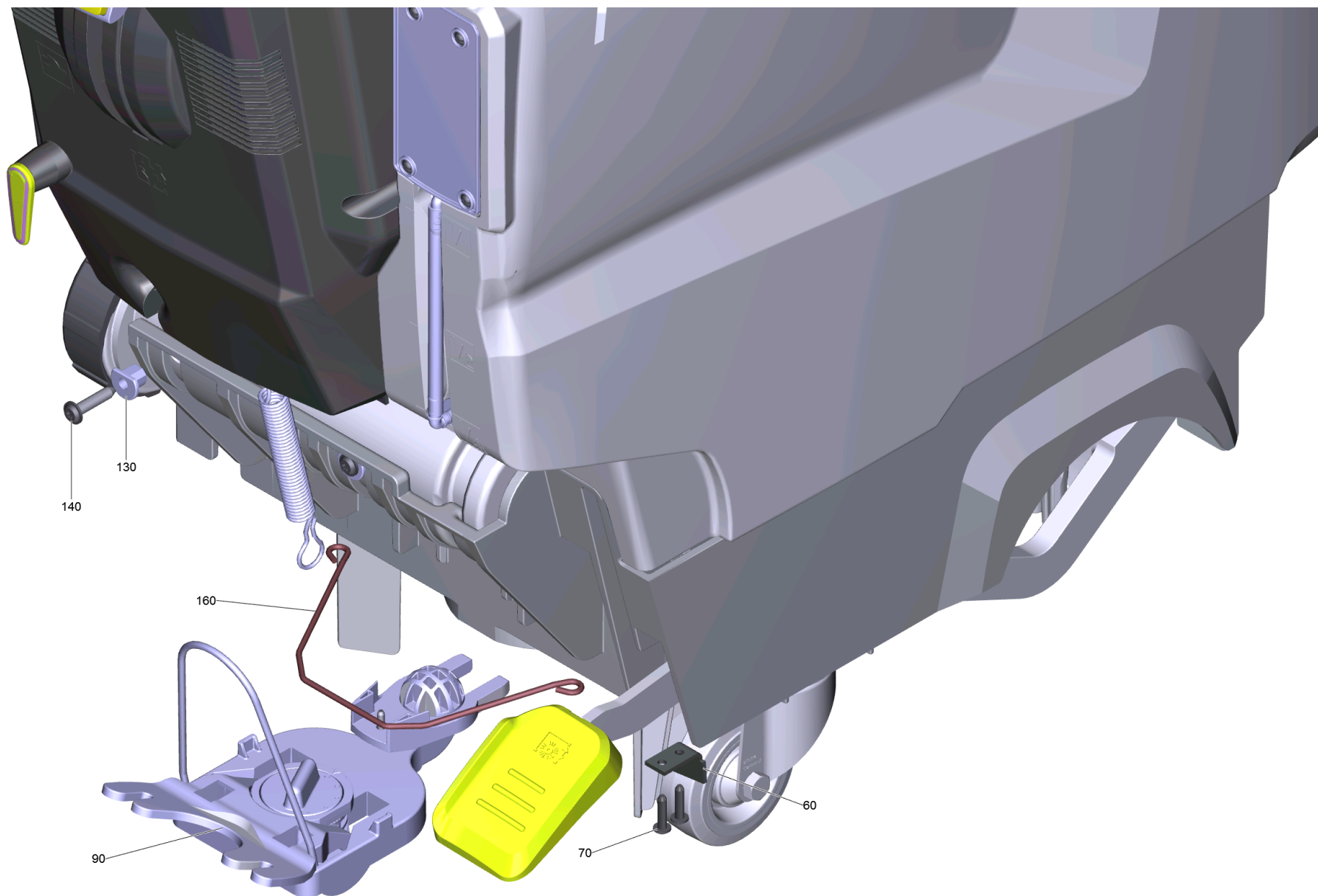


140 B 40 C Bp Fleet *UL (2.533-226.7)

POS	Article no.	Description	Quantity	Unit	Foot note text
10		Basic machinery B 40	1	PC	
20		Control panel complete BAT C Fleet NA	1	PC	
30	6.303-315.0	Screw 8 x 35	4	PC	
40		Electric equipment B40 C Bp Dose *UL	1	PC	OLD VERSION
40		Electric equipment B 40 C Bp Dose US CAN	1	PC	NEW VERSION
42	6.373-877.0	Hose clip	1	PC	
50	5.035-450.0	Bearing bush electronics	2	PC	
51	5.035-433.0	Adapter	2	PC	
60	7.303-107.0	Screw 5x16 -10.9-P2R (K-In6Rd)	4	PC	
70		Axle complete	1	PC	
100	6.472-007.3	Solenoid valve 24 V	1	PC	
150	6.390-892.0	Spiral hose NW12	1	m	
151	6.641-474.0	Cable tape 8-210	4	PC	
160	6.390-892.0	Spiral hose NW12	1	m	
170	5.443-375.0	Hose stem	1	PC	
180	6.362-170.0	O-Ring seal 11,3 X 2,4-NBR 70	1	PC	
240	6.641-463.0	Cable tape	1	PC	
300	6.644-618.0	Pole binder	1	PC	
310	5.394-852.0	Covering cap battery terminal	1	PC	
1010		Documentation C Bp *UL	1	PC	
9520	2.815-099.0	Battery kit Gel 2x 12V/76Ah	1	SET	
9521	2.815-100.0	Battery kit Gel 2x 12V/105Ah	1	SET	
9522	2.815-090.0	Battery kit AGM 2x 12V/80Ah	1	SET	
9523	2.638-036.0	Mounting kit battery kit	1	PC	
9530	2.815-091.0	Battery kit AGM 2x 12V/115Ah	1	SET	
9531	2.638-059.0	Mounting kit battery kit	1	PC	

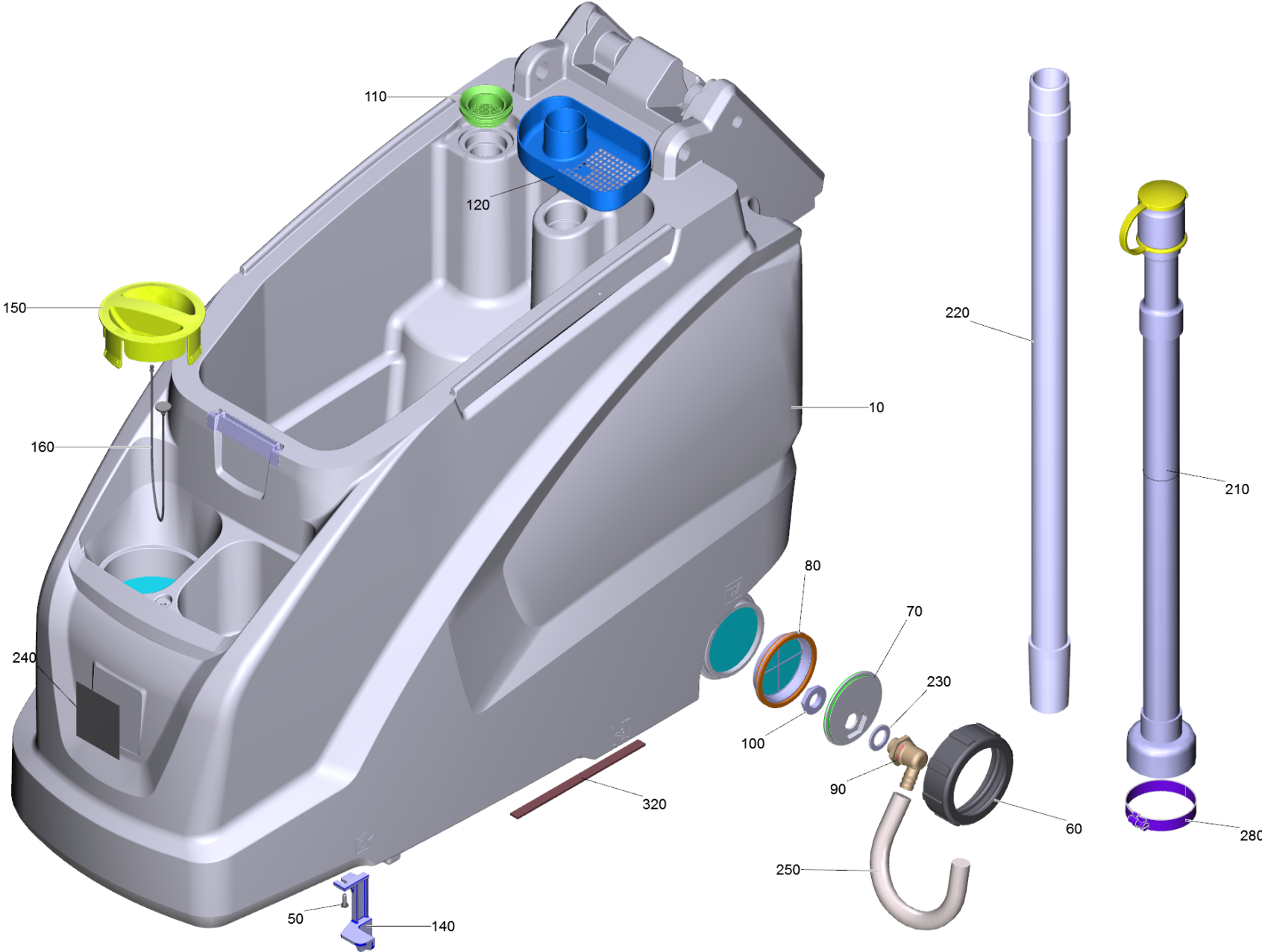


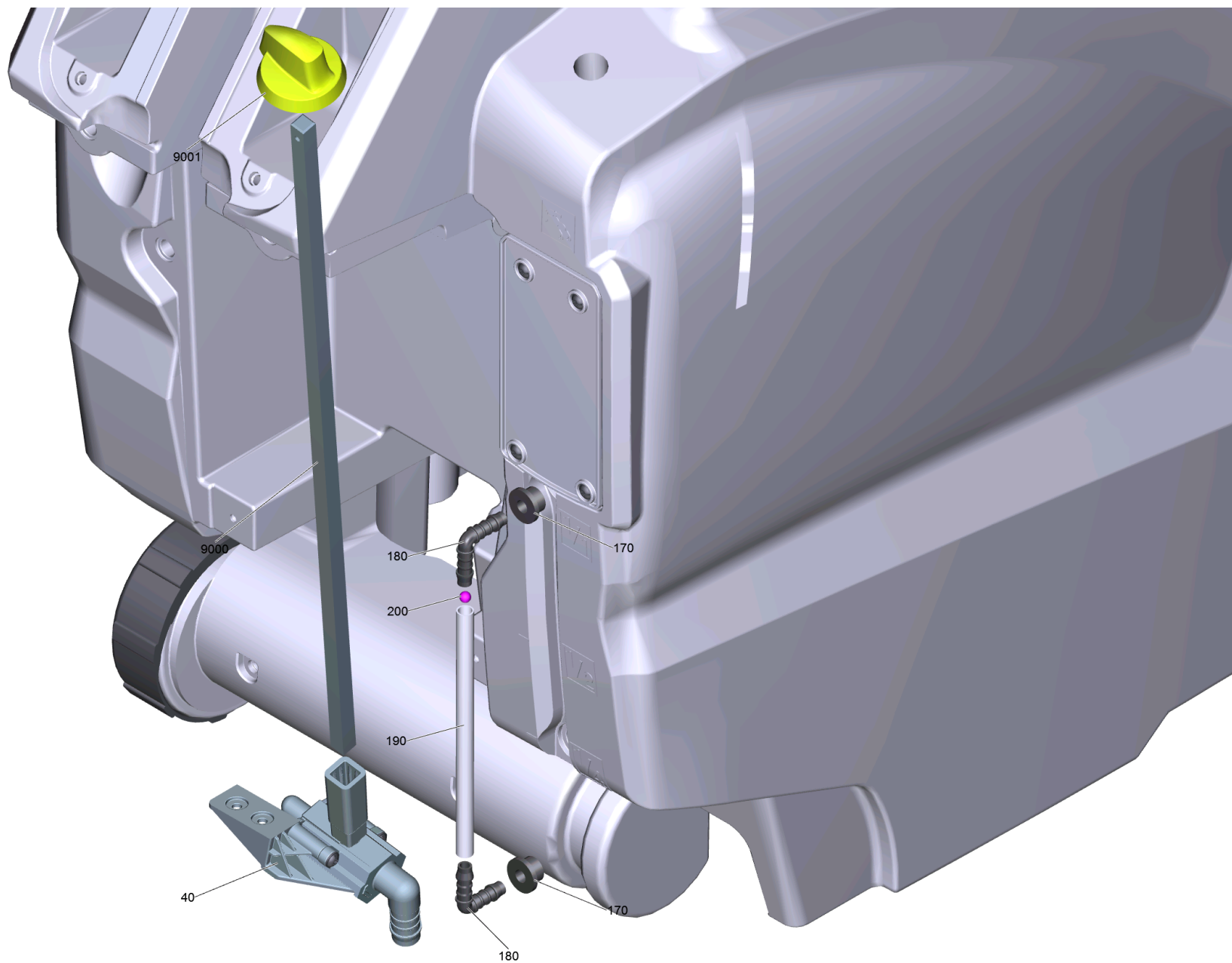


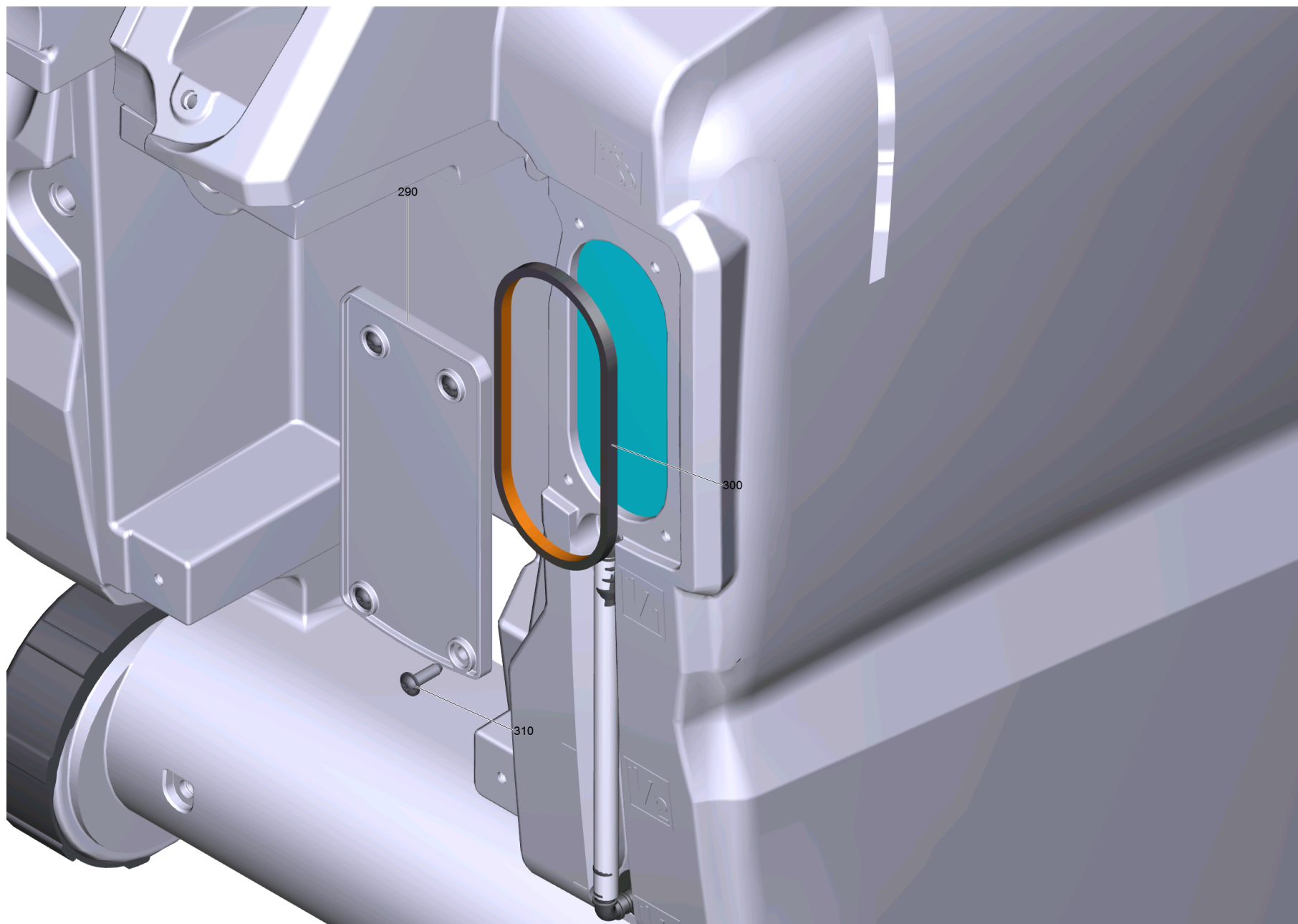


10 Basic machinery B 40

POS	Article no.	Description	Quantity	Unit	Foot note text
10	4.035-335.0	Tank complete	1	PC	
20	5.035-350.0	Frame B40	1	PC	
30	6.435-011.3	Castor	2	PC	
40	6.303-315.0	Screw 8 x 35	8	PC	
50		Suspension brush-head complete	1	PC	
60	5.035-361.0	Sheet metal component	1	PC	
70	7.303-109.0	Screw 5x25 -10.9-R2R (In6Rd)	2	PC	
80		Covering cap rear complete	1	PC	
90		Suction bar lifting complete	1	PC	
100		Vacuum motor	1	PC	
110	7.303-107.0	Screw 5x16 -10.9-P2R (K-In6Rd)	13	PC	
120	5.035-334.0	Retaining bracket connecting rod	1	PC	
130	5.035-522.0	Sleeve	3	PC	
140	6.303-315.0	Screw 8 x 35	3	PC	
160	5.035-440.0	Wire spring	1	PC	
170	5.035-488.0	Adapter Homebase	1	PC	
180	6.980-077.0	Double hook	1	PC	
190	6.273-090.0	Sealing tape 13x3	1	m	TO ORDER AS CUT GOODS
200	5.035-726.0	Plate	1	PC	
210	7.303-107.0	Screw 5x16 -10.9-P2R (K-In6Rd)	1	PC	
220	6.641-465.0	Cable tape	1	PC	
260	6.647-081.0	Cable tape	1	PC	

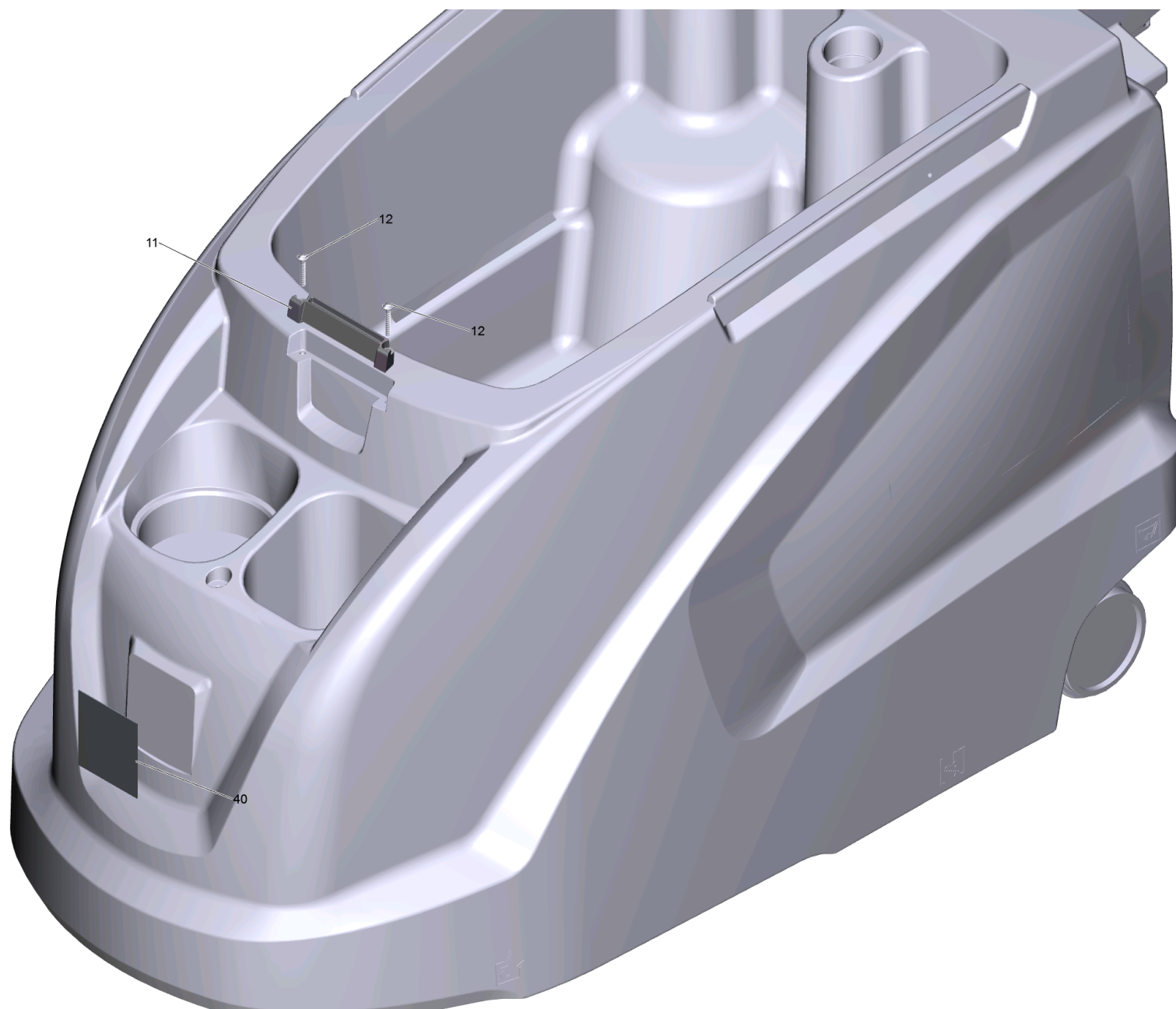






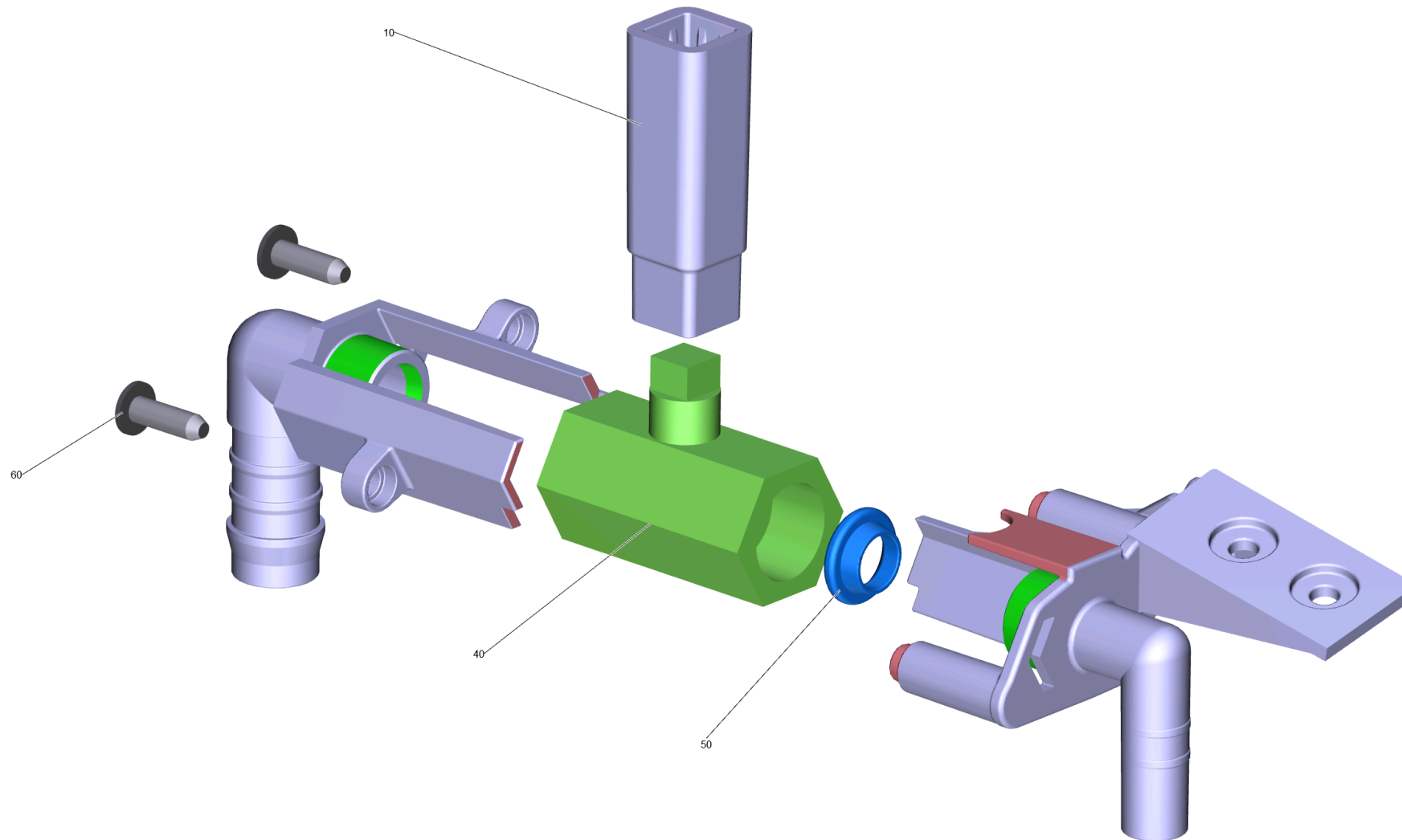
10 Tank complete (4.035-335.0)

POS	Article no.	Description	Quantity	Unit	Foot note text
10	4.035-429.0	Tank replacement B40	1	PC	
40	4.035-426.0	Ball valve complete replacement	1	PC	
50	7.303-107.0	Screw 5x16 -10.9-P2R (K-In6Rd)	3	PC	
60	5.035-341.0	Cover fresh water tank discharge	1	PC	
70	5.035-342.0	Hose connection fresh water discharge	1	PC	
80	5.035-376.0	Filter discharge	1	PC	
90	6.395-163.3	Angle bushing G1-2	1	PC	
100	6.310-004.0	Hexagon nut G 1/2"	1	PC	
110	5.515-266.0	Joint ring fluffing strainer	1	PC	
120	5.036-932.0	Tank bulk waste yellow	1	PC	
140	5.035-435.0	Tank locking part	1	PC	
150	5.034-099.0	Cover fresh water metering RM	1	PC	
160	5.035-358.0	Mounting rope cover fresh water tank	1	PC	
170	5.035-608.0	Wire protecting sleeve	2	PC	
180	6.391-913.0	Elbow nipple	2	PC	
190	5.035-328.0	Silicon hose level indicator	1	PC	
200	6.035-072.0	Sphere level indicator D6	1	PC	
210	4.035-285.0	Drain hose with cover PU	1	PC	OIL RESISTANT
220	6.392-471.0	Suction hose PU DN32	1	PC	
230	5.515-253.0	Seal D34	1	PC	
240	5.394-081.0	Label signet gel 78x86	1	PC	
250	6.390-324.0	Hose DN16	1	m	TO ORDER AS CUT GOODS
280	6.388-767.0	Hose clip 70- 90	1	PC	
290	4.035-370.0	Screen filling system	1	PC	
300	5.035-418.0	Seal fixing plate	1	PC	
310	7.303-107.0	Screw 5x16 -10.9-P2R (K-In6Rd)	4	PC	
320	6.273-043.0	Sealing tape cellularrubber 9x4	1	m	TO ORDER AS CUT GOODS
9000	5.035-369.0	Bar	1	PC	
9001	5.035-404.0	Handle	1	PC	



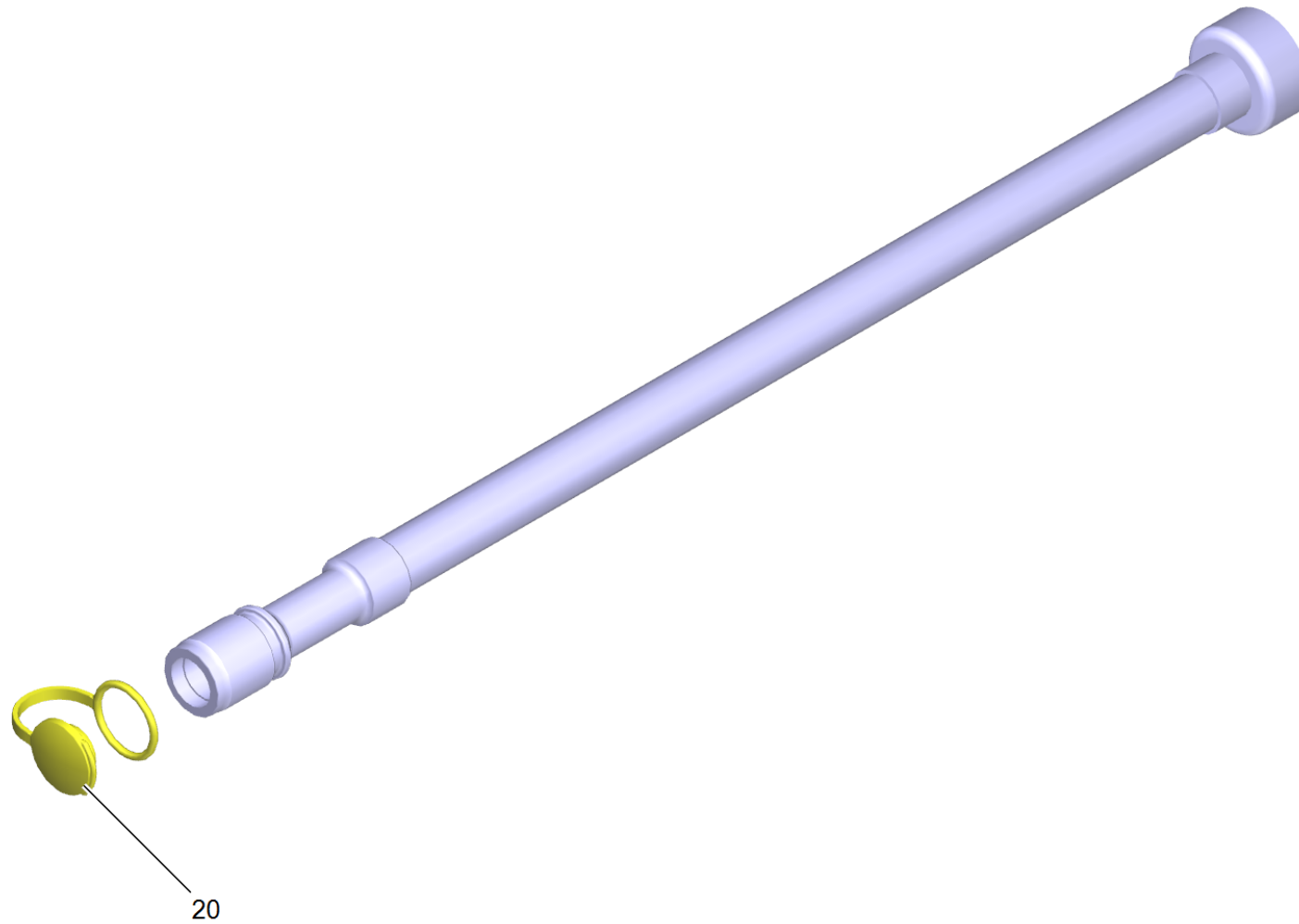
10 Tank replacement B40 (4.035-429.0)

POS	Article no.	Description	Quantity	Unit
11	5.035-482.0	Add-on part tank cover	1	PC
12	7.303-086.0	Screw 5x30 -10.9-R2R (K-In6Rd)	2	PC
40	5.394-081.0	Label signet gel 78x86	1	PC



40 Ball valve complete replacement (4.035-426.0)

POS	Article no.	Description	Quantity	Unit
10	5.035-459.0	Coupler piece ball valve	1	PC
40	6.413-586.0	Ball valve without handhold	1	PC
50	5.035-770.0	Seal ball valve	2	PC
60	7.303-107.0	Screw 5x16 -10.9-P2R (K-In6Rd)	2	PC

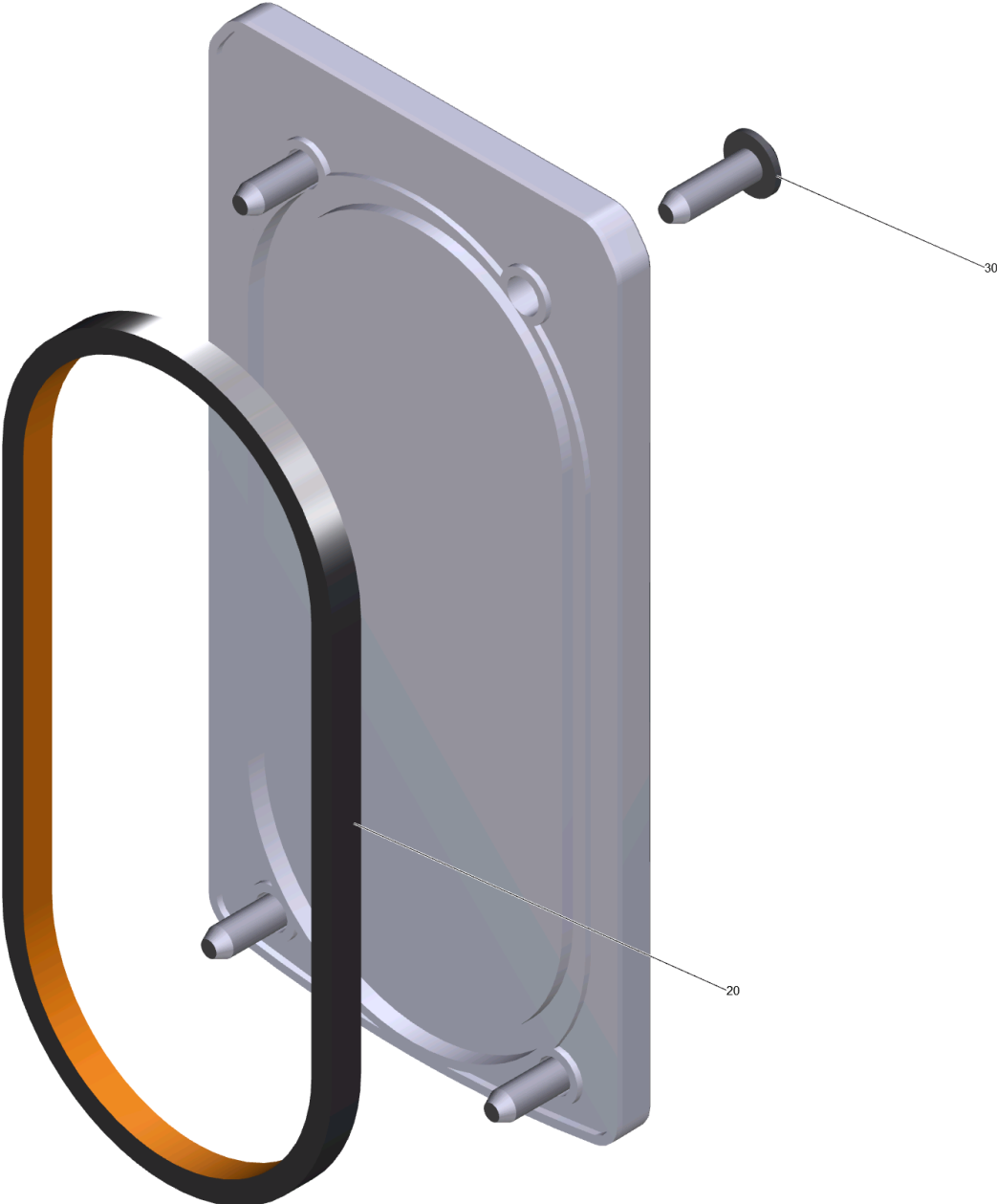


210 Drain hose with cover PU (4.035-285.0)

POS	Article no.	Description	Quantity	Unit
20	5.036-249.0	Cover plate drain hose yellow PU	1	PC

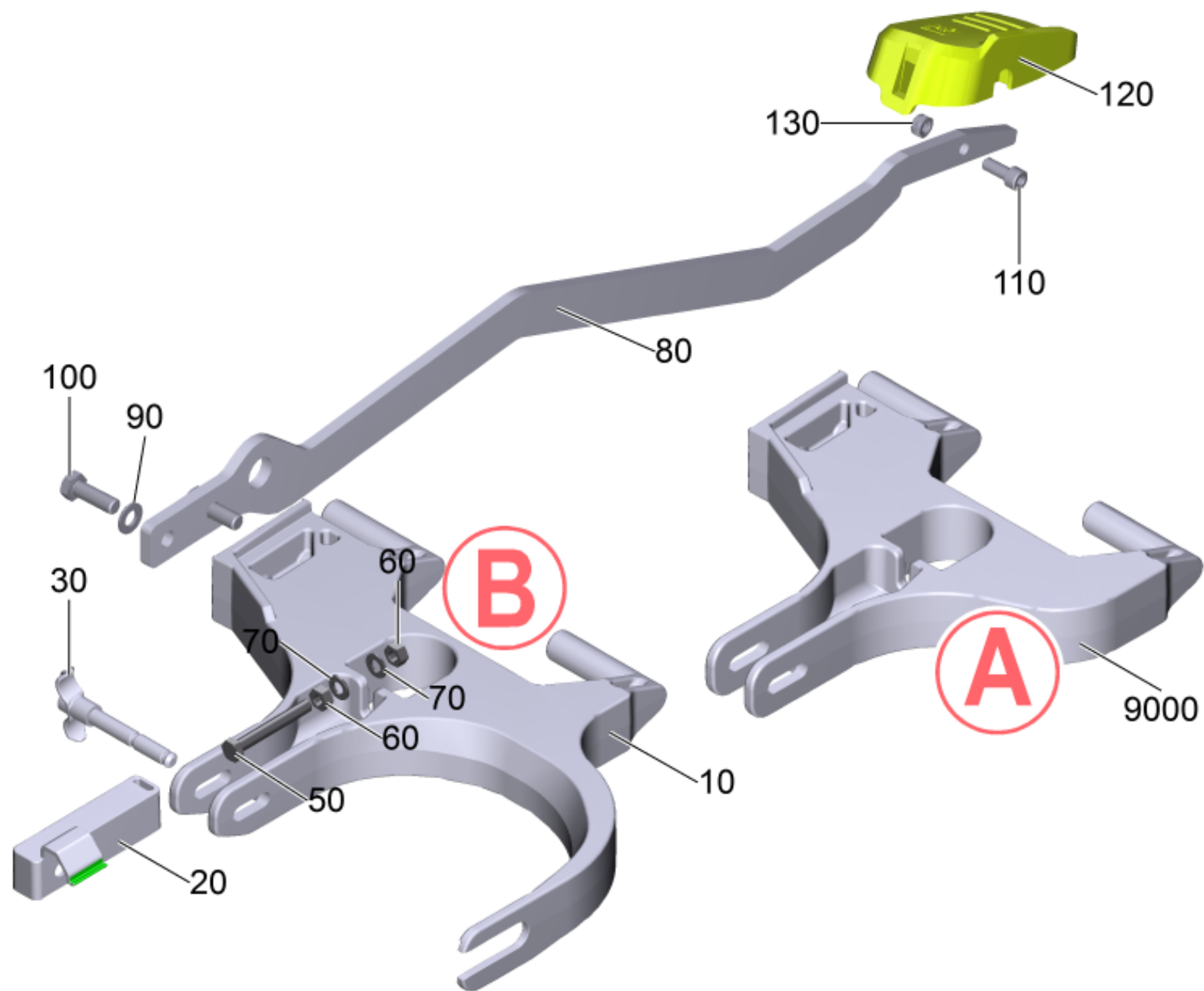
290 Screen filling system (4.035-370.0)

POS	Article no.	Description	Quantity	Unit
10	4.035-370.7	Screen filling system	1	PC



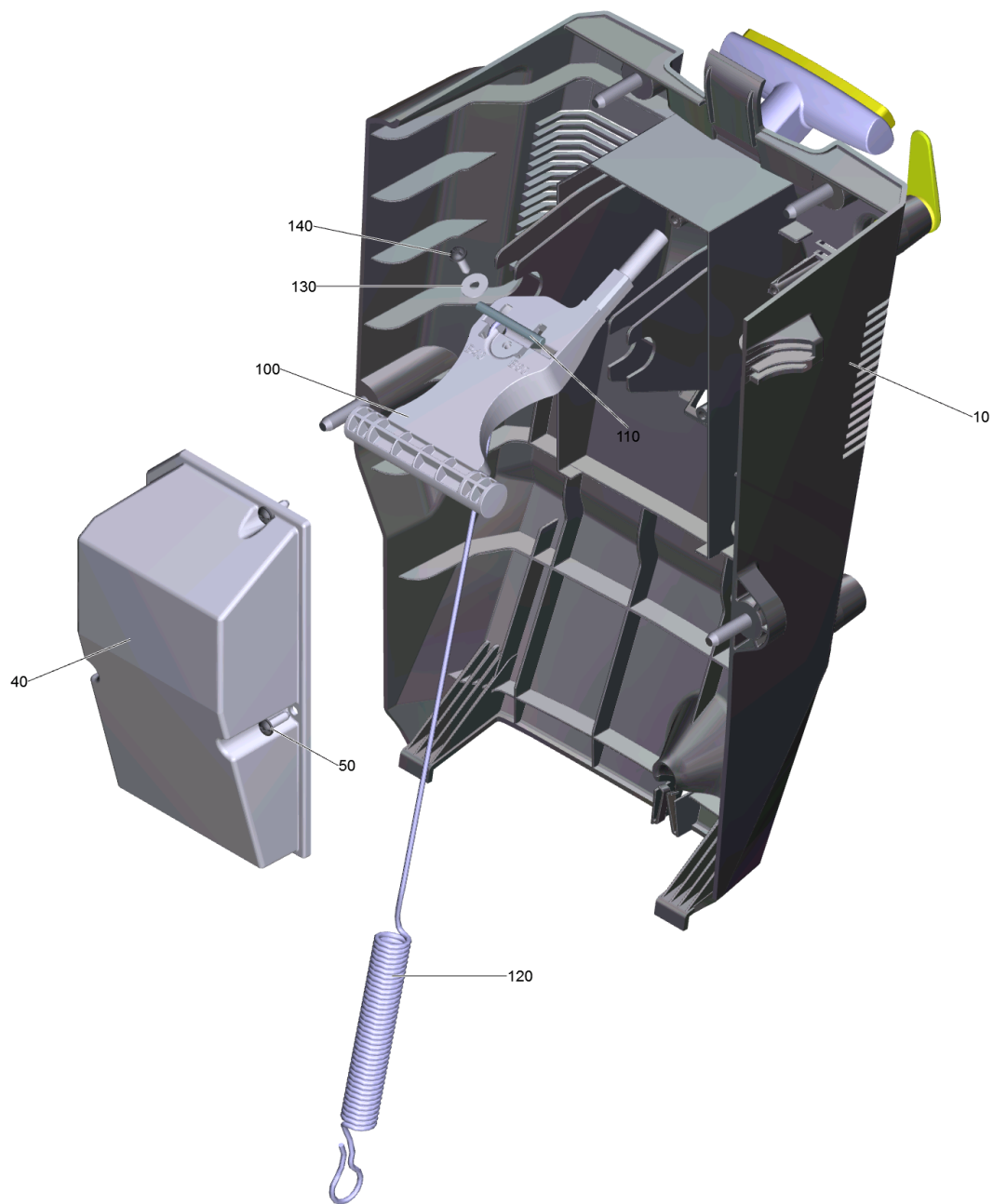
10 Screen filling system (4.035-370.7)

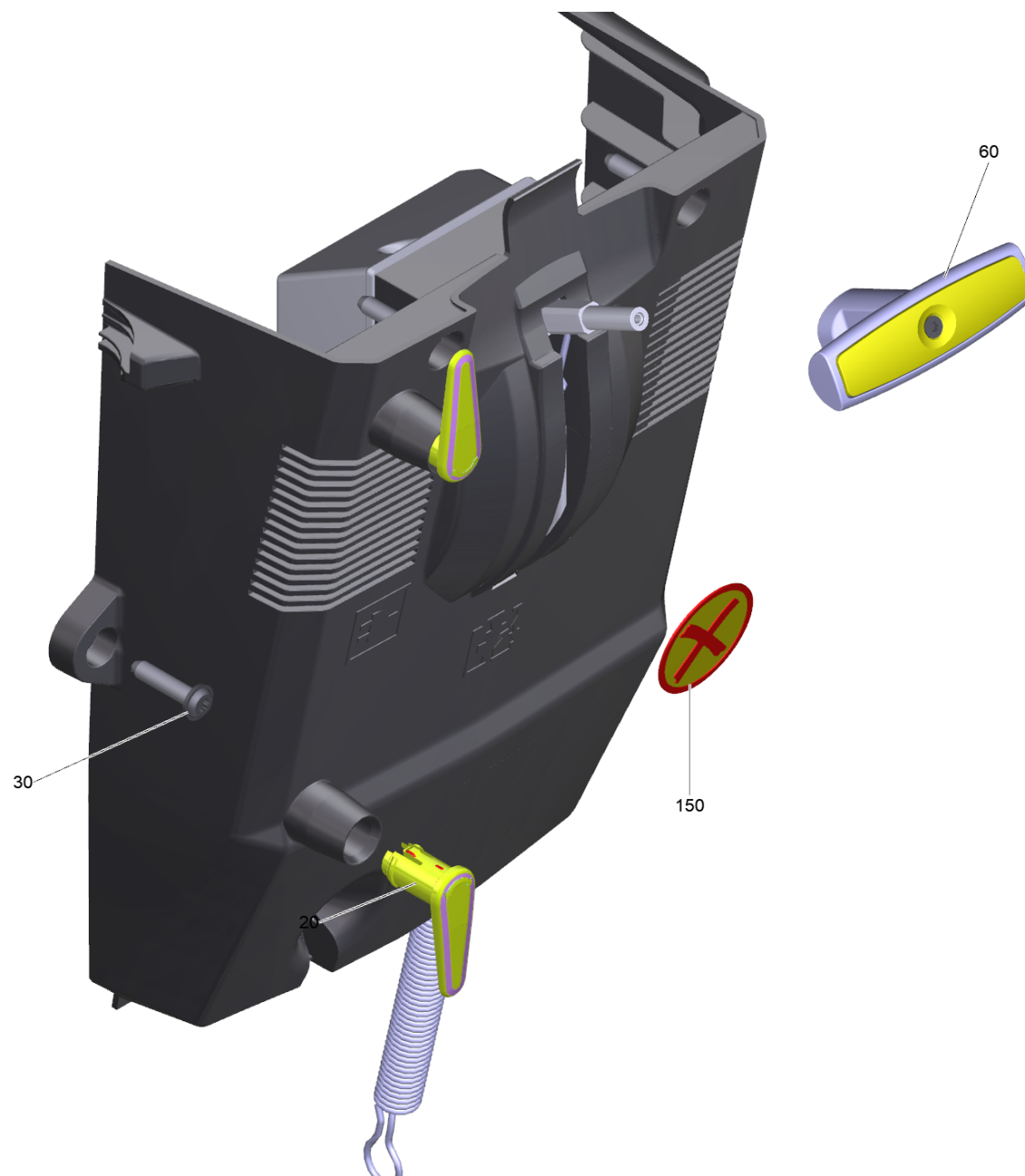
POS	Article no.	Description	Quantity	Unit
20	5.035-418.0	Seal fixing plate	1	PC
30	7.303-107.0	Screw 5x16 -10.9-P2R (K-In6Rd)	4	PC



50 Suspension brush-head complete

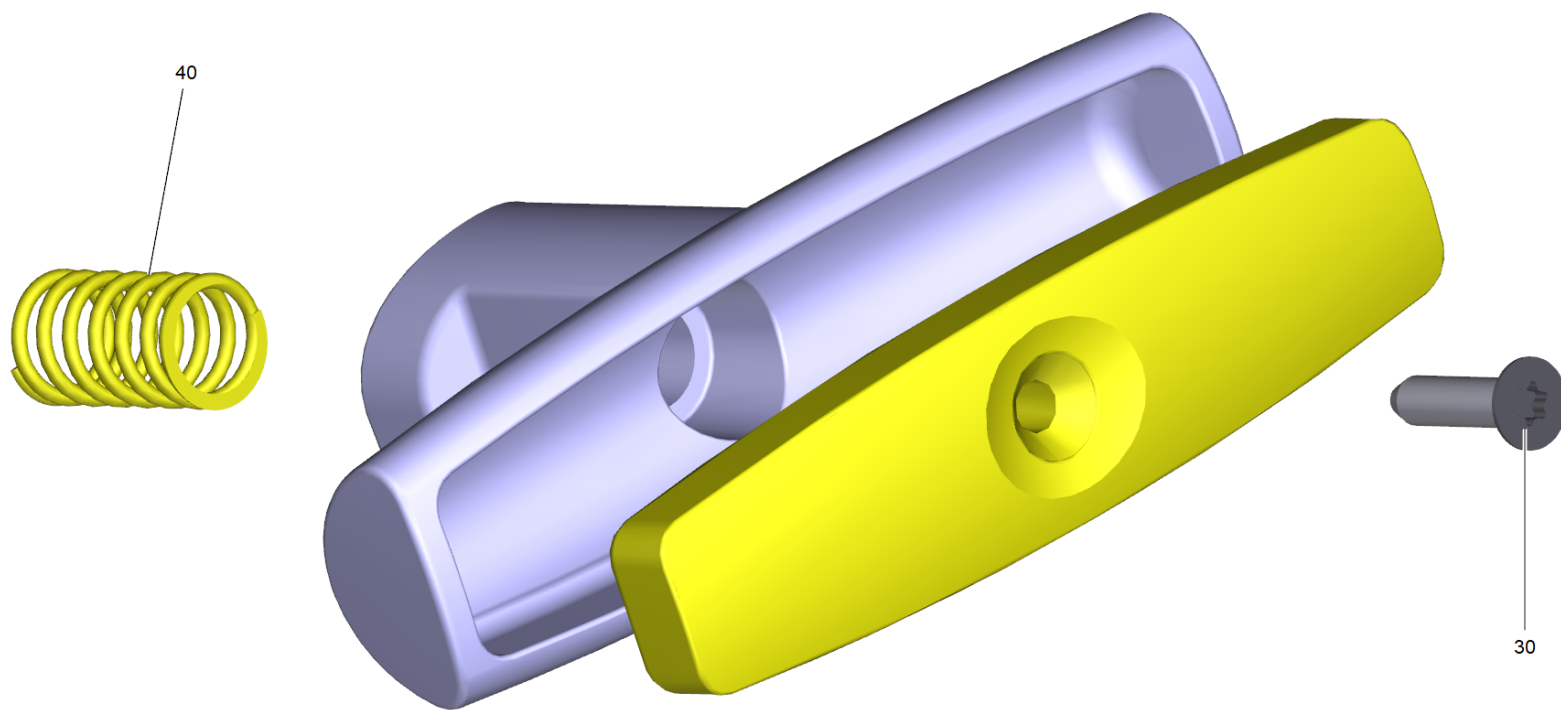
POS	Article no.	Description	Quantity	Unit	Foot note text
10	5.035-675.0	Suspension brush-head triple	1	PC	VERSION B
20	5.035-377.0	Adjusting element brush-head	1	PC	
30	5.035-865.0	Handhold bolt brush-head	1	PC	
50	7.304-262.0	Hexagonal head screw M8x60-A4-70 ISO 40	1	PC	
60	7.311-068.0	Hexagon nut M 8-A2-70 ISO 4032	2	PC	
70	7.312-004.0	Washer 8 -200HV-A3E ISO 7089	2	PC	
80	5.035-370.0	Lever plate brush-head	1	PC	
90	7.312-005.0	Washer 10-200HV-A3E ISO 7089	2	PC	
100	7.304-417.0	Hexagonal head screw M10x30-8.8-A3E ISO	2	PC	
110	7.306-041.0	Cylinder head screw M8x20 -8.8-A2E ISO	1	PC	
120	5.035-374.0	Pedal brush-head	1	PC	
130	7.311-432.0	Hexagon nut M 8-1.4305 DIN 985	1	PC	
9000	2.882-733.0	Conversion kit suspension brush-head B40	1	PC	VERSION A





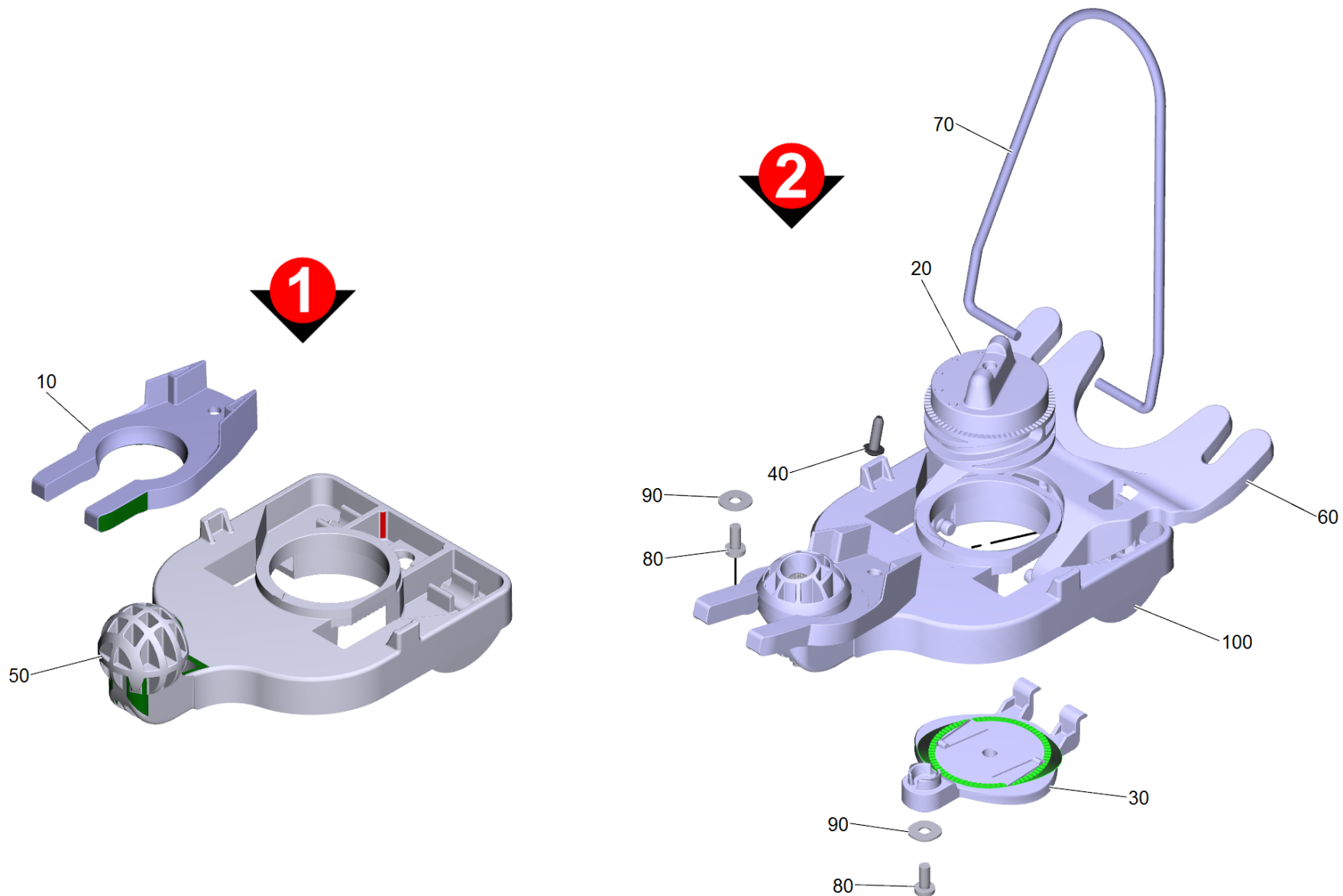
80 Covering cap rear complete

POS	Article no.	Description	Quantity	Unit
10	5.035-366.0	Covering cap	1	PC
20	5.044-661.0	Catch for cable yellow	2	PC
30	6.303-315.0	Screw 8 x 35	4	PC
40	5.035-446.0	Cover covering cap rear	1	PC
50	7.303-107.0	Screw 5x16 -10.9-P2R (K-In6Rd)	3	PC
60	4.035-612.0	Set handhold adjustment	1	PC
100	5.035-445.0	Lever suction bar	1	PC
110	5.035-453.0	Axle lever suction bar	1	PC
120	5.035-423.0	Extension spring	1	PC
130	7.312-282.0	Washer 5 -A2 ISO 7093-1	1	PC
140	7.303-107.0	Screw 5x16 -10.9-P2R (K-In6Rd)	1	PC
150	5.380-889.0	Warning sign BR-BD 750	1	PC



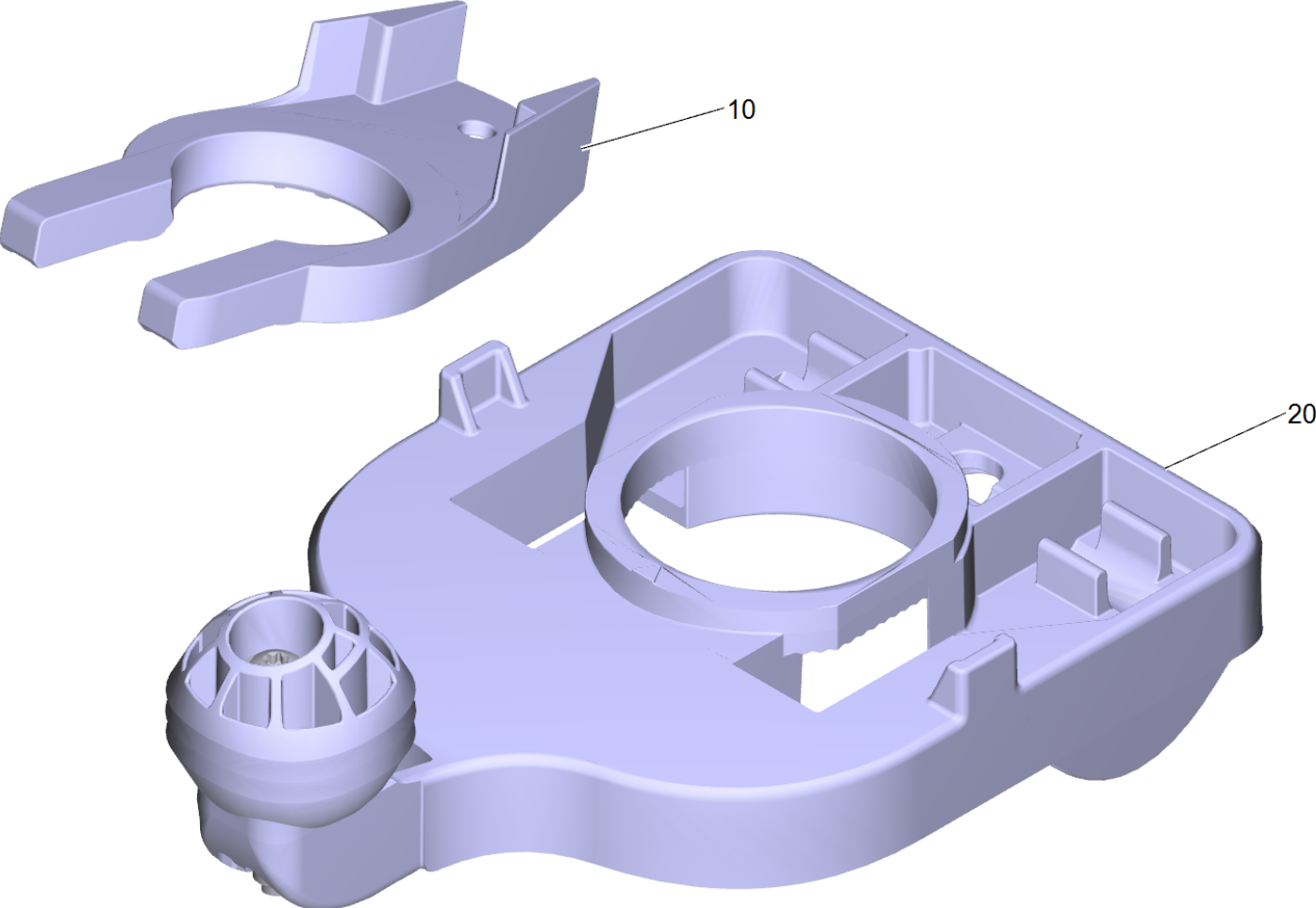
60 Set handhold adjustment (4.035-612.0)

POS	Article no.	Description	Quantity	Unit
30	7.303-128.0	Countersunk screw 5x20 -10.9-R2R (In6Rd)	1	PC
40	5.332-481.0	Helical spring	1	PC



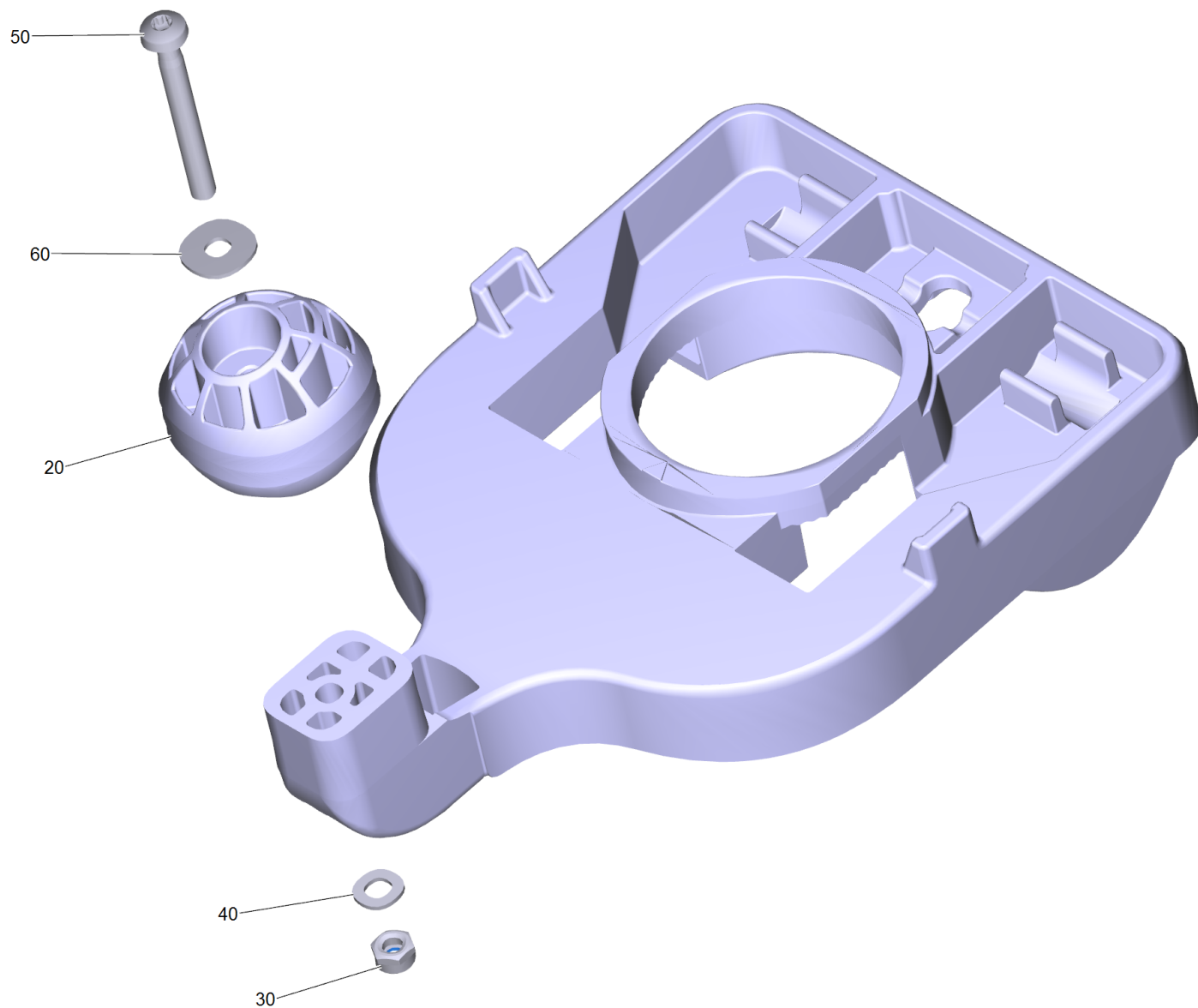
90 Suction bar lifting complete

POS	Article no.	Description	Quantity	Unit	Foot note text
10	7.777-999.0	Stockpiling discontinued	1	PC	VERSION 1
20	5.035-292.0	Adjusting knob suction bar toothing	1	PC	
30	5.035-293.0	Covering cap suction bar toothing	1	PC	
40	7.303-109.0	Screw 5x25 -10.9-R2R (In6Rd)	1	PC	
50	7.777-999.0	Stockpiling discontinued	1	PC	VERSION 1
60	5.036-103.0	Rocker suction bar	1	PC	
70	5.035-382.0	Retaining bracket suction bar	1	PC	
80	6.306-003.0	Screw M5X12-A2/70-ISO 14583 (IN6RD)	2	PC	with microencapsulation
90	7.312-282.0	Washer 5 -A2 ISO 7093-1	2	PC	
100	4.035-583.0	Holder suction bar complete	1	PC	VERSION 2



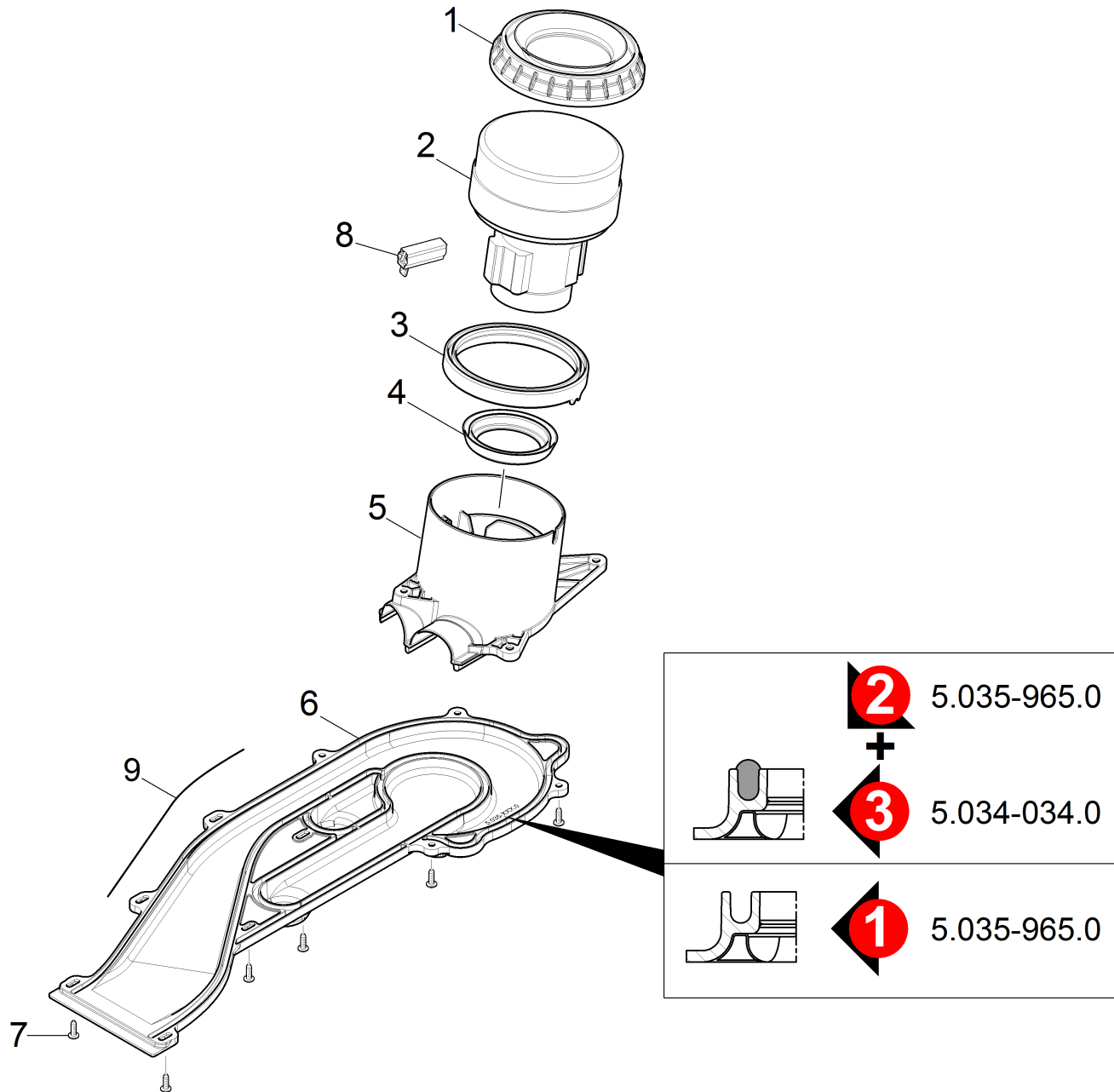
100 Holder suction bar complete (4.035-583.0)

POS	Article no.	Description	Quantity	Unit
10	5.005-005.0	FIXING PLATE SUCTION BAR ALU	1	PC
20	4.037-137.3	Holder suction bar	1	PC



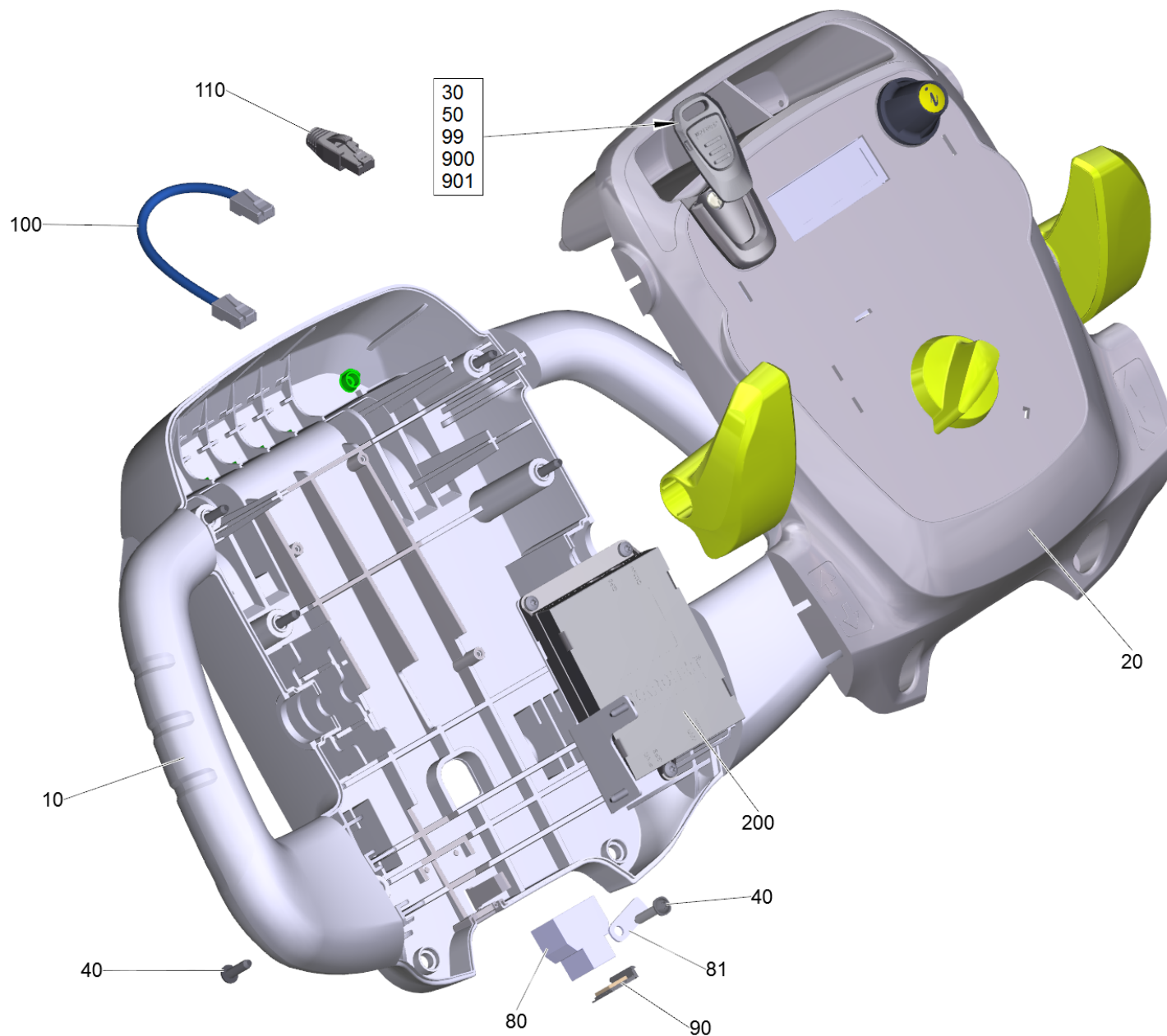
20 Holder suction bar (4.037-137.3)

POS	Article no.	Description	Quantity	Unit
20	5.037-579.0	Sphere suction bar suspension	1	PC
30	7.311-431.0	Hexagon nut M 5-1.4305 DIN 985	1	PC
40	7.312-052.0	Washer 5 -A2 ISO 7089	1	PC
50	7.306-215.0	Screw M5x45 -8.8-P2R (In6Rd)	1	PC
60	7.312-282.0	Washer 5 -A2 ISO 7093-1	1	PC

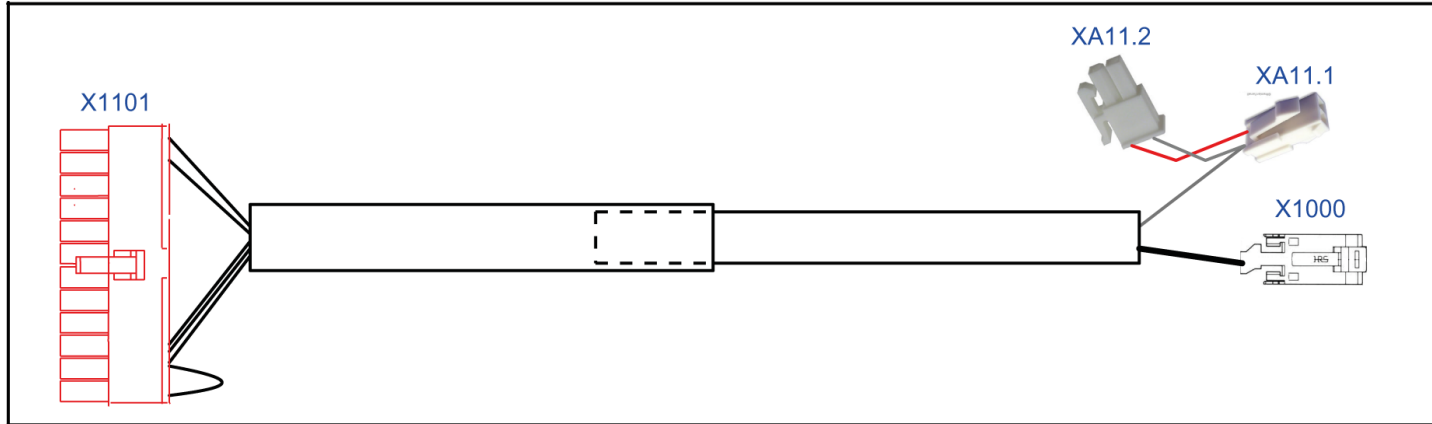


100 Vacuum motor

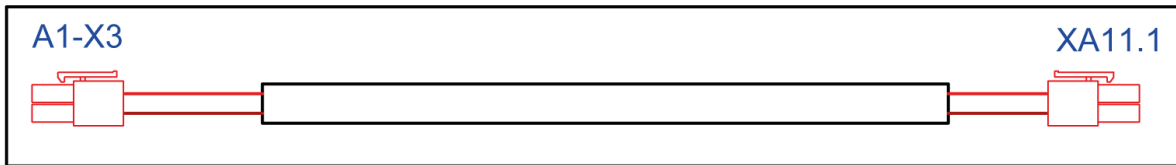
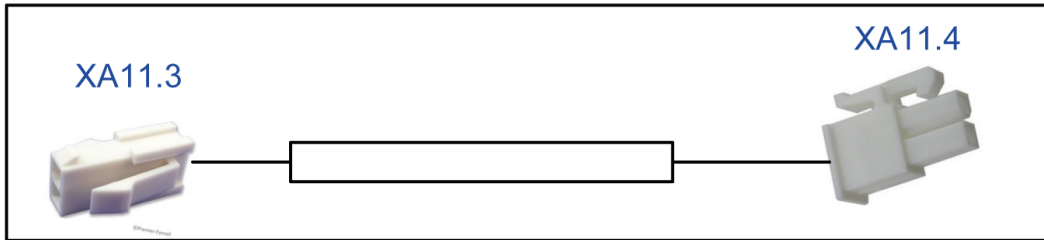
POS	Article no.	Description	Quantity	Unit	Remark	Foot note text
1	5.035-333.0	Bearing vacuum motor	1	PC		
2	4.035-580.0	Vacuum motor replacement	1	PC		
3	5.035-332.0	Joint ring turbine	1	PC		
4	5.363-395.0	Seal	1	PC		
5	5.034-032.0	Air circulation turbine bottom	1	PC		VERSION 2
5	5.035-964.0	Air circulation bottom turbine	1	PC		VERSION 1
6	4.034-009.0	Air circulation turbine replacement	1	PC		VERSION 2
6	5.034-034.0	Air circulation turbine above foamed	1	PC		VERSION 3
6	7.777-999.0	Stockpiling discontinued	1	PC		VERSION 1
7	7.303-107.0	Screw 5x16 -10.9-P2R (K-In6Rd)	8	PC		
8	6.490-011.0	Carbon brush set	1	PC	24 V	
9	6.273-196.0	Seal string cellular rubber	1	m		TO ORDER AS CUT GOODS



Übersicht TCU-Kabel B40W-120W / Overview TCU-Cable B40W-120W

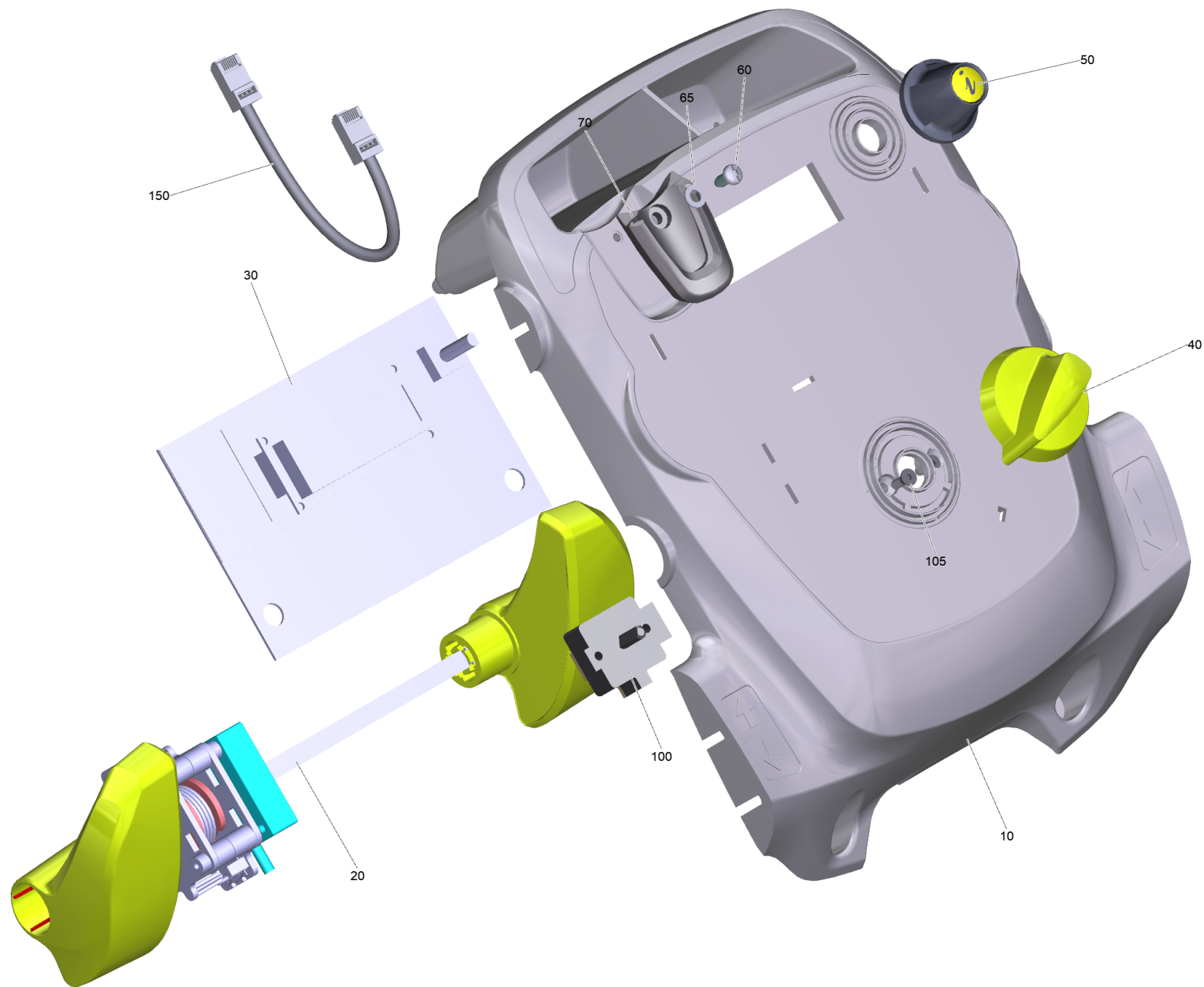


60



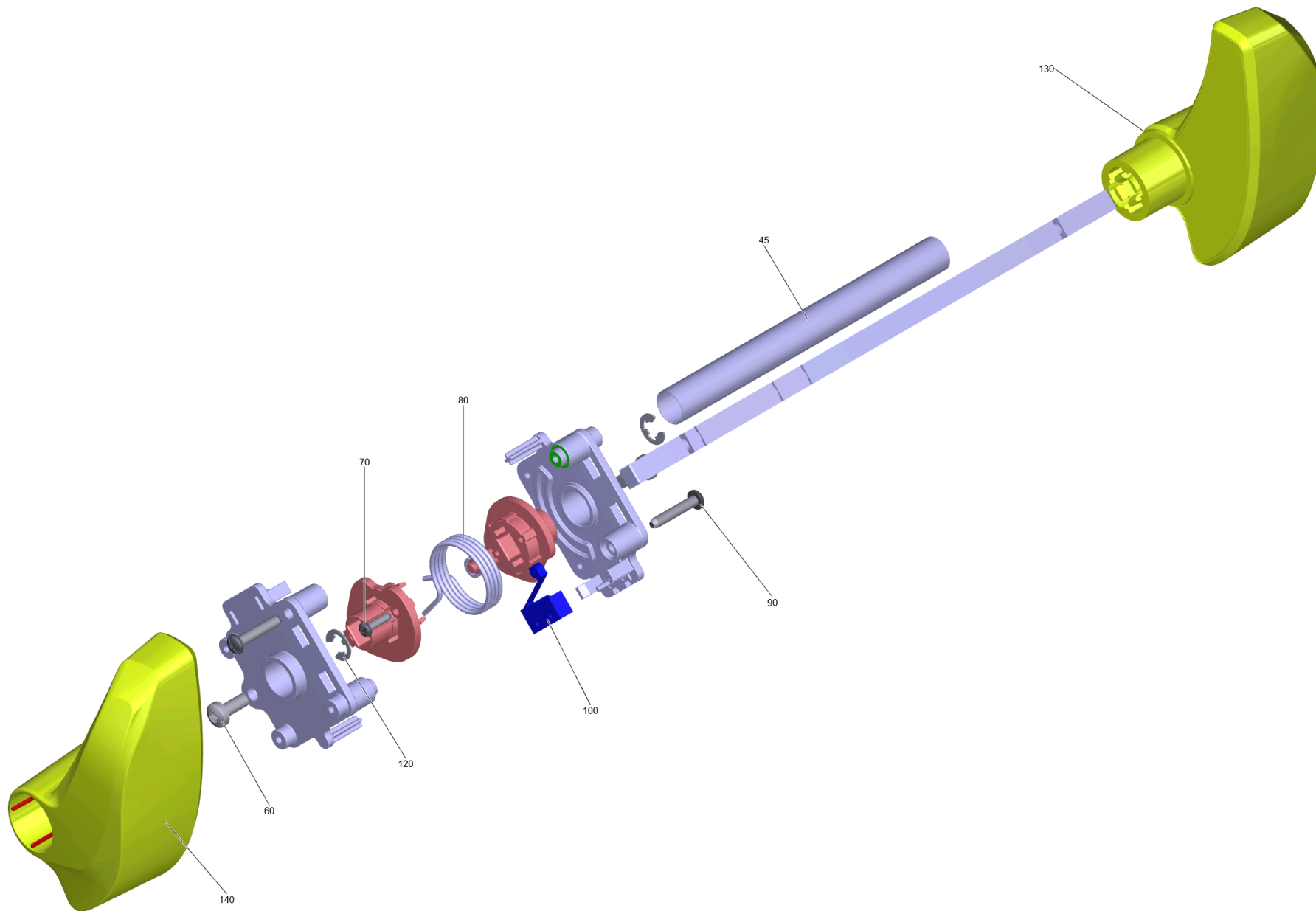
20 Control panel complete BAT C Fleet NA

POS	Article no.	Description	Quantity	Unit	Foot note text
10	5.035-219.0	Housing bottom part control panel	1	PC	
20		Covering cap control panel complete BAT	1	PC	
30	5.035-344.0	Key yellow KIK	1	PC	
40	7.303-108.0	Screw 5x20 -10.9-R2R (In6Rd)	7	PC	
50	5.035-348.0	Key grey KIK	1	PC	
60	4.822-986.0	False group cable harness overview B40/60/80/120	1	PC	
80	6.330-111.0	Adapter RJ45 Y-Splitter	1	PC	
81	5.035-196.0	Plate stiffener	1	PC	VERSION 2
90	5.033-829.0	Rubber stopper control panel	1	PC	
99	5.035-337.0	Key red KIK	1	PC	
100	6.882-000.0	Cable blue Patch	1	PC	
110	6.640-751.0	Adapter plug at the Y CAN	1	PC	
200	2.644-103.0	KAERCHER reversion kit Fleet NA* Services B40-80	1	PC	
200		KAERCHER Fleet services B40-120CAN NA	1	PC	
900	4.035-076.0	Key white KIK	1	PC	
901	4.035-408.0	Set key yellow KIK	1	PC	
997	4.035-064.0	Set key white KIK	1	PC	SET WITH 5 PIECES
999	4.683-310.0	Circuit board replacement C	1	PC	



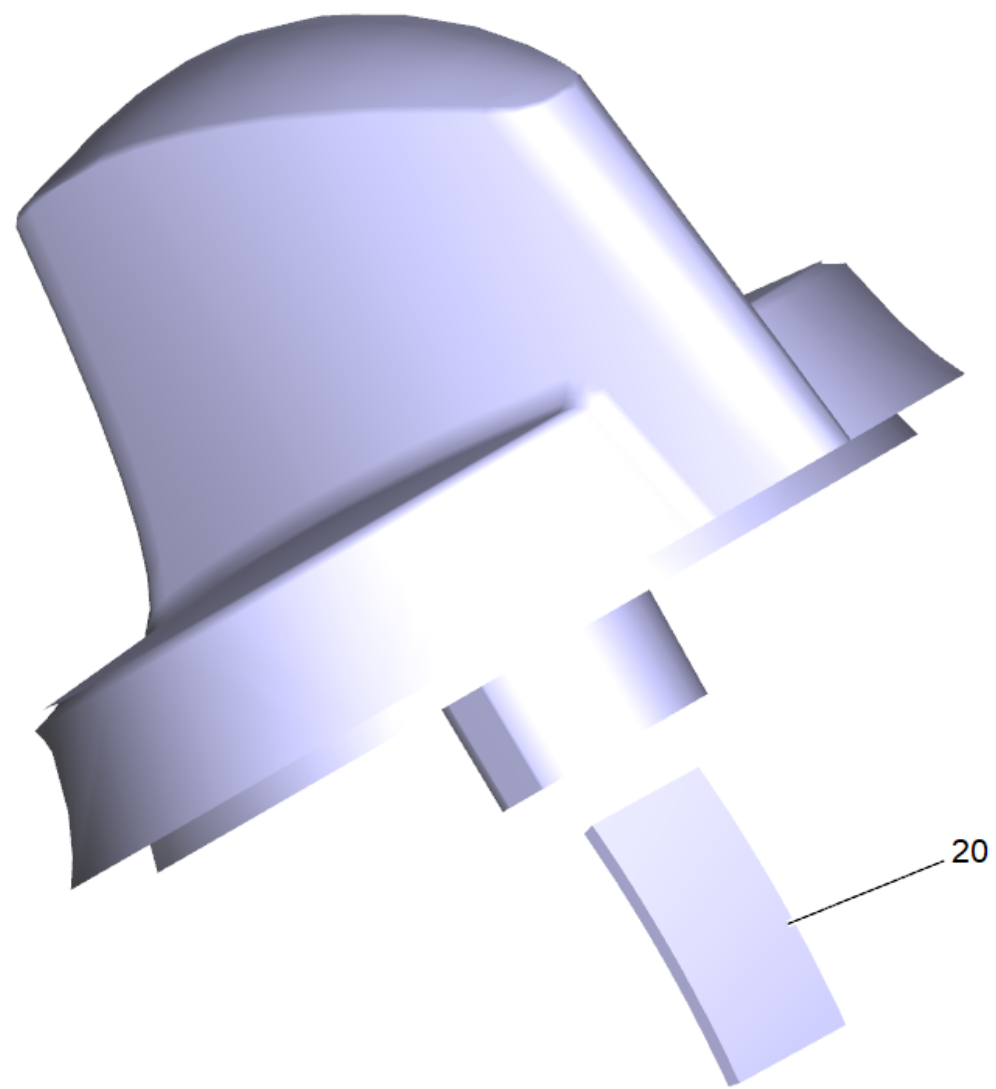
20 Covering cap control panel complete BAT

POS	Article no.	Description	Quantity	Unit	Foot note text
10	4.035-117.0	Covering cap control panel replacement B	1	PC	WITH SLOT FOR 5.033-829.0
10	4.035-412.0	Covering cap control panel foil Bp C	1	PC	WITHOUT SLOT FOR 5.033-829.0
20	4.035-984.0	Tachograph set Bp	1	PC	
30	4.683-310.0	Circuit board replacement C	1	PC	
40	4.035-608.0	Handhold operational concept complete	1	PC	
50	5.321-750.0	Handhold info panel	1	PC	
60	7.303-274.0	Screw 5x12 -A2-70 (In6Rd)	1	PC	
65	7.312-052.0	Washer 5 -A2 ISO 7089	1	PC	
70	5.035-343.0	Guide key	1	PC	
100	4.035-415.0	Switch program selection replacement	1	PC	
105	7.305-036.0	Countersunk screw M4x12 -A2-70-s (IN6RD	2	PC	
150	6.649-933.0	Cable Patch	1	PC	



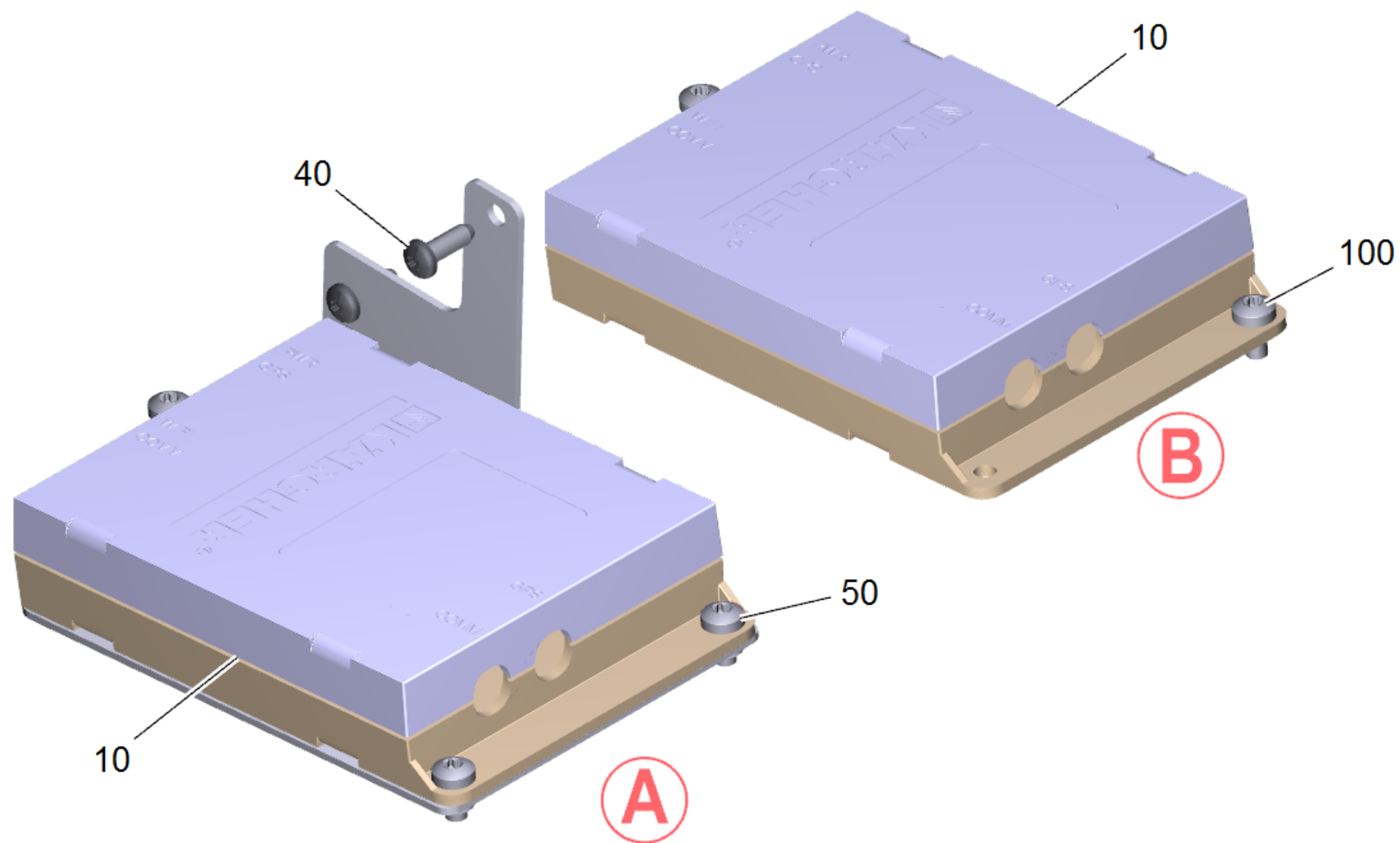
20 Tachograph set Bp (4.035-984.0)

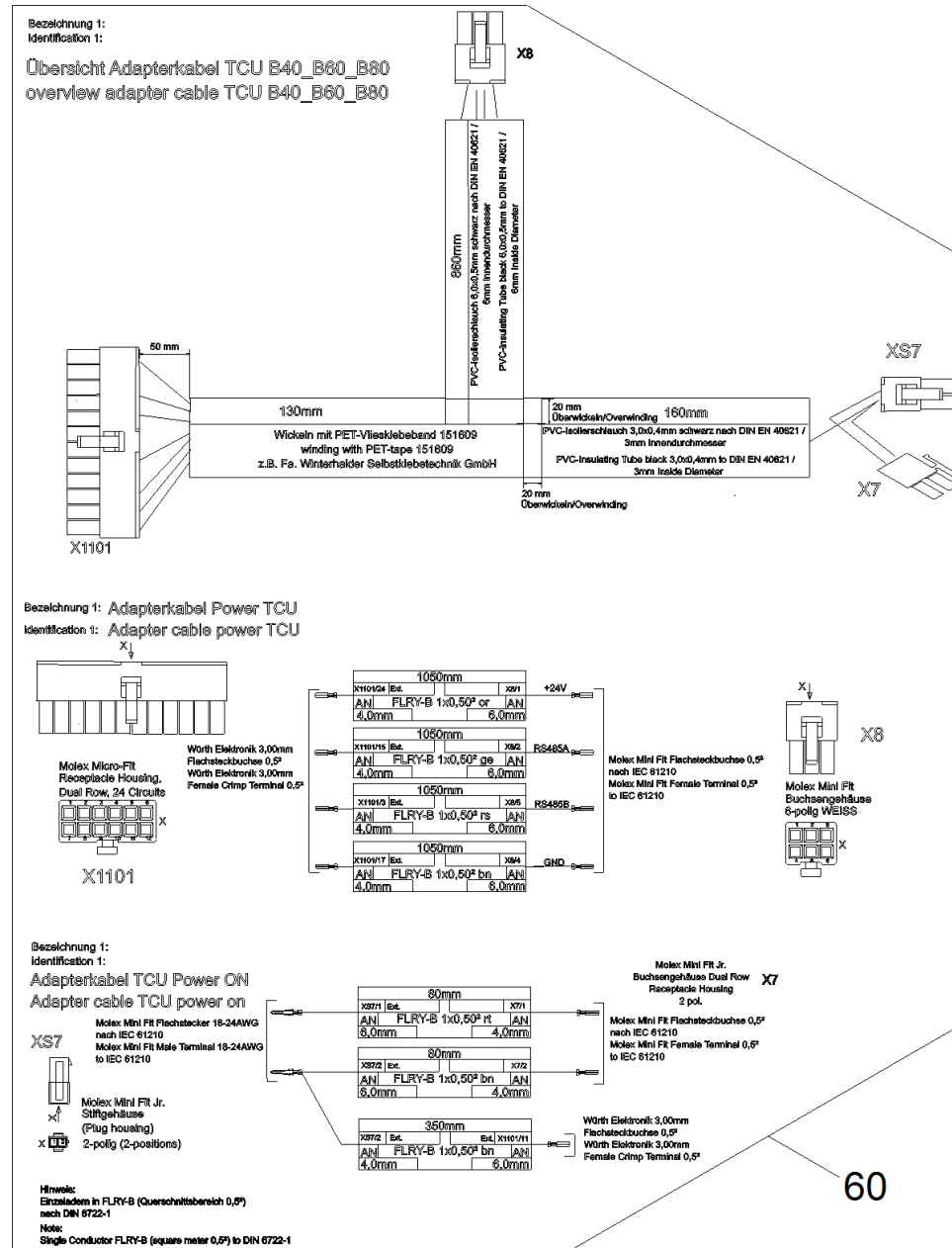
POS	Article no.	Description	Quantity	Unit	Foot note text
45	6.642-014.0	Insulating hose 13	1	m	TO ORDER AS CUT GOODS
60	7.306-394.0	Screw M5x12 -8.8-ZNBHL ISO 14583	2	PC	
70	6.303-557.0	Screw 3x12 Kombitorx T8	2	PC	
80	6.330-441.0	Torsion spring tachograph	1	PC	
90	7.303-096.0	Screw 4x22-ST-10.9-R2R (IN6RD)	2	PC	
100	6.630-732.0	Switch gold plated	1	PC	
120	7.343-201.0	Lock washer 6-FST-PHR DIN 6799	2	PC	
130	4.035-495.0	Tachograph right complete	1	PC	
140	4.035-496.0	Tachograph left complete	1	PC	



40 Handhold operational concept complete (4.035-608.0)

POS	Article no.	Description	Quantity	Unit
20	6.313-014.0	Spring element	1	PC



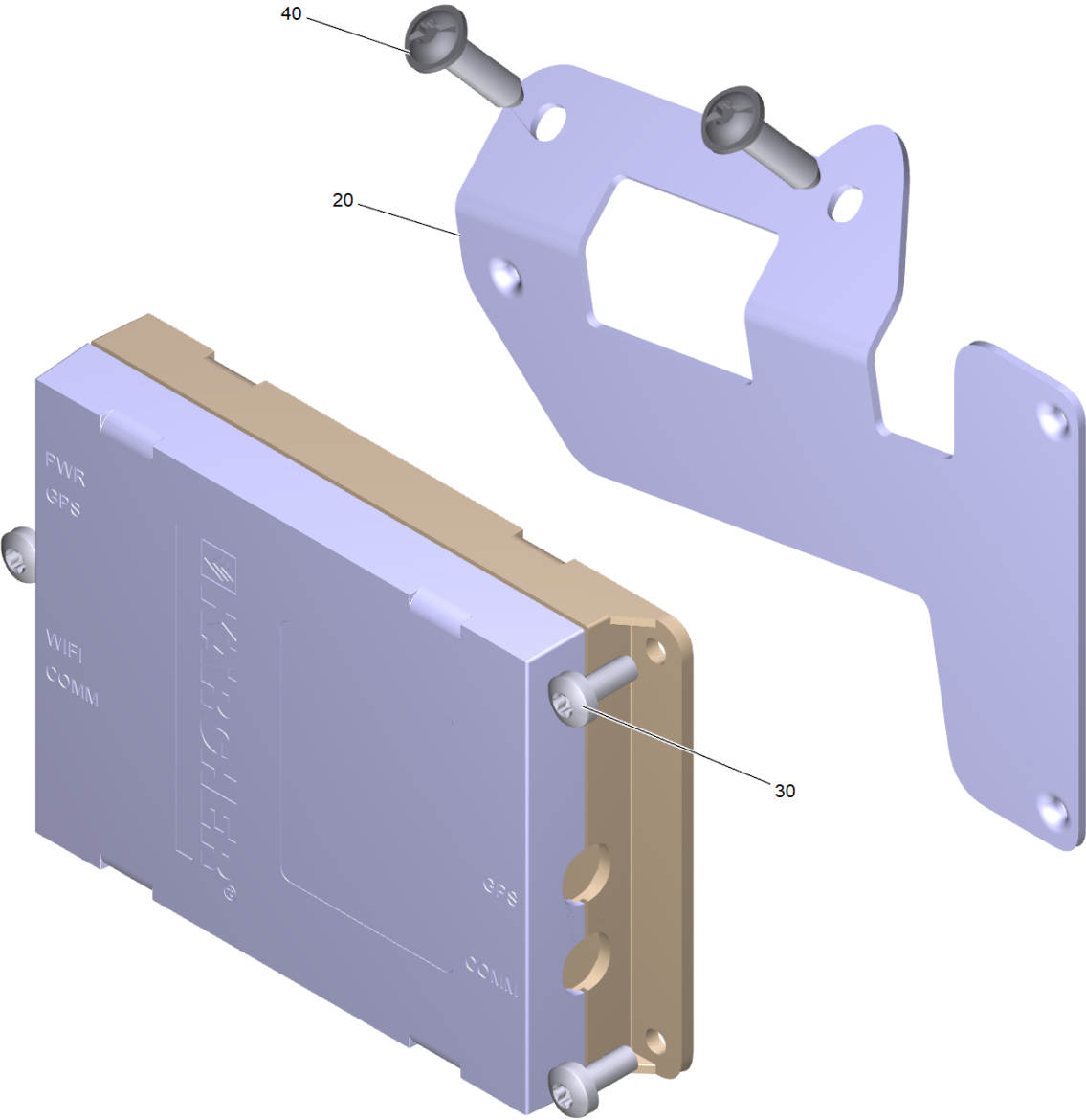


200 KAERCHER reversion kit Fleet NA* Services B40-80 (2.644-103.0)

POS	Article no.	Description	Quantity	Unit
10	2.644-214.0	Kaercher Fleet services B110R NA	1	PC
40	7.303-095.0	Screw 4x12-ST-10.9-R2R (IN6RD)	2	PC
50	7.306-205.0	Screw M4x8 -A2-70 ISO 14853	3	PC
60	4.822-943.0	Cable B40/60/80 TCU Fleetmanagement	1	PC
100	7.303-102.0	Screw 3,5x12 -A2-70-bk (In6Rd)	3	PC

10 Kaercher Fleet services B110R NA (2.644-214.0)

POS	Description	Quantity	Unit
10	Kaercher Fleet services B110R NA	1	PC



10 Kaercher Fleet services B110R NA

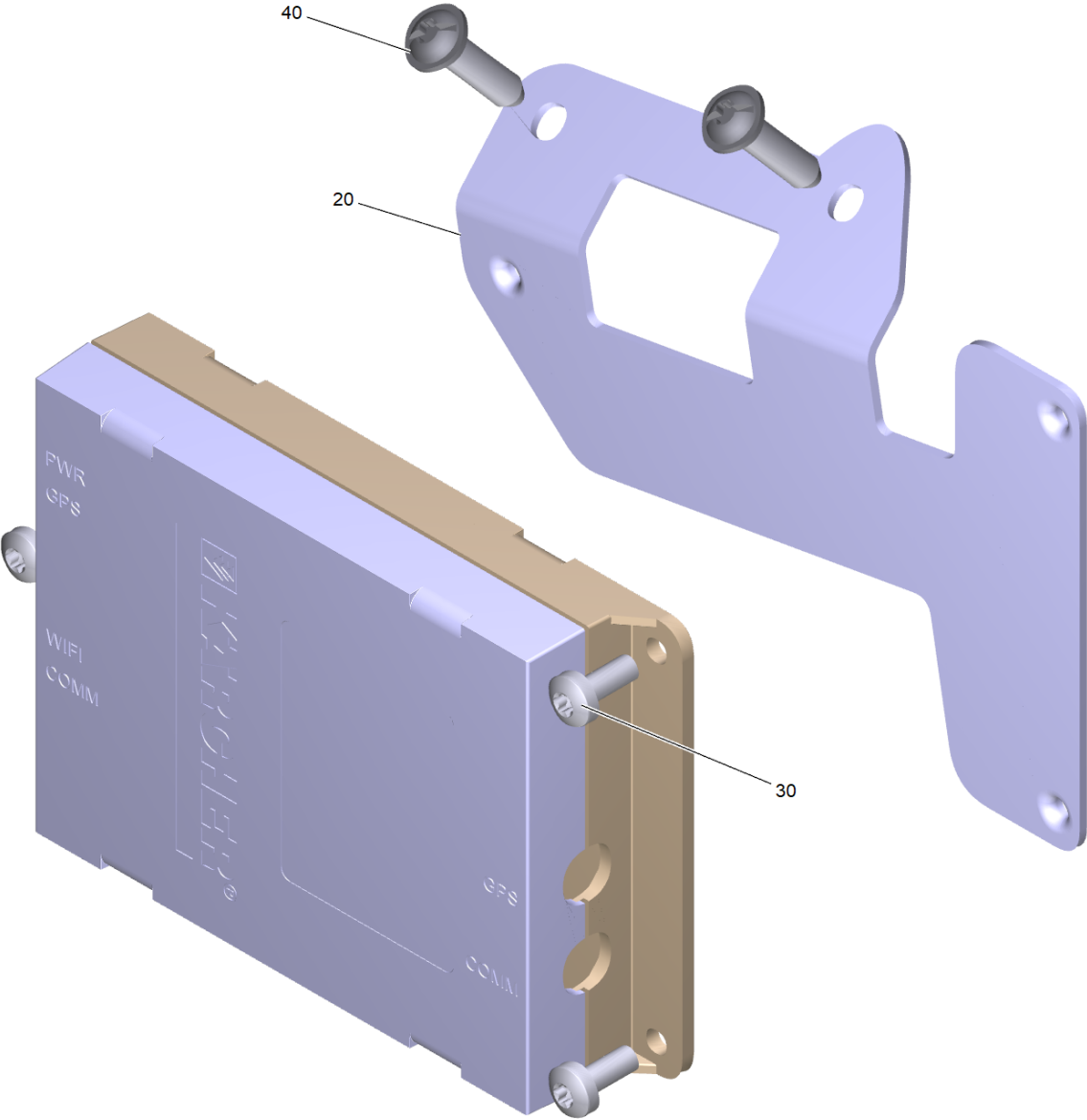
POS	Article no.	Description	Quantity	Unit
20	5.039-431.0	Retaining plate fleet management module B110	1	PC
30	7.306-206.0	Screw M4x10 -A2-70 ISO 14583	3	PC
40	7.303-108.0	Screw 5x20 -10.9-R2R (In6Rd)	2	PC

200 KAERCHER Fleet services B40-120CAN NA

POS	Article no.	Description	Quantity	Unit
10	2.644-214.0	Kaercher Fleet services B110R NA	1	PC
50	7.303-102.0	Screw 3,5x12 -A2-70-bk (In6Rd)	3	PC
60	4.822-986.0	False group cable harness overview B40/60/80/120	1	PC

10 Kaercher Fleet services B110R NA (2.644-214.0)

POS	Description	Quantity	Unit
10	Kaercher Fleet services B110R NA	1	PC

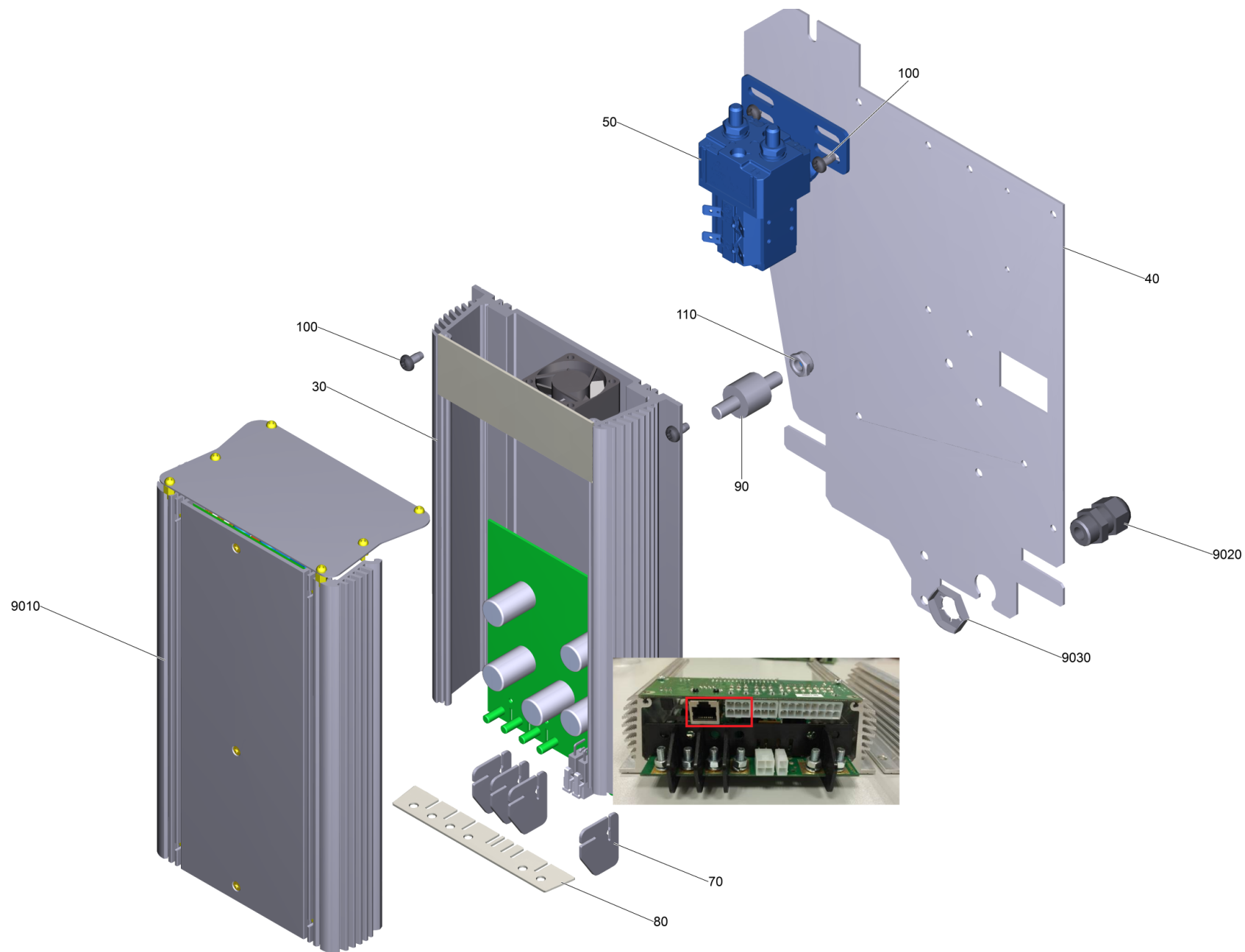


10 Kaercher Fleet services B110R NA

POS	Article no.	Description	Quantity	Unit
20	5.039-431.0	Retaining plate fleet management module B110	1	PC
30	7.306-206.0	Screw M4x10 -A2-70 ISO 14583	3	PC
40	7.303-108.0	Screw 5x20 -10.9-R2R (In6Rd)	2	PC

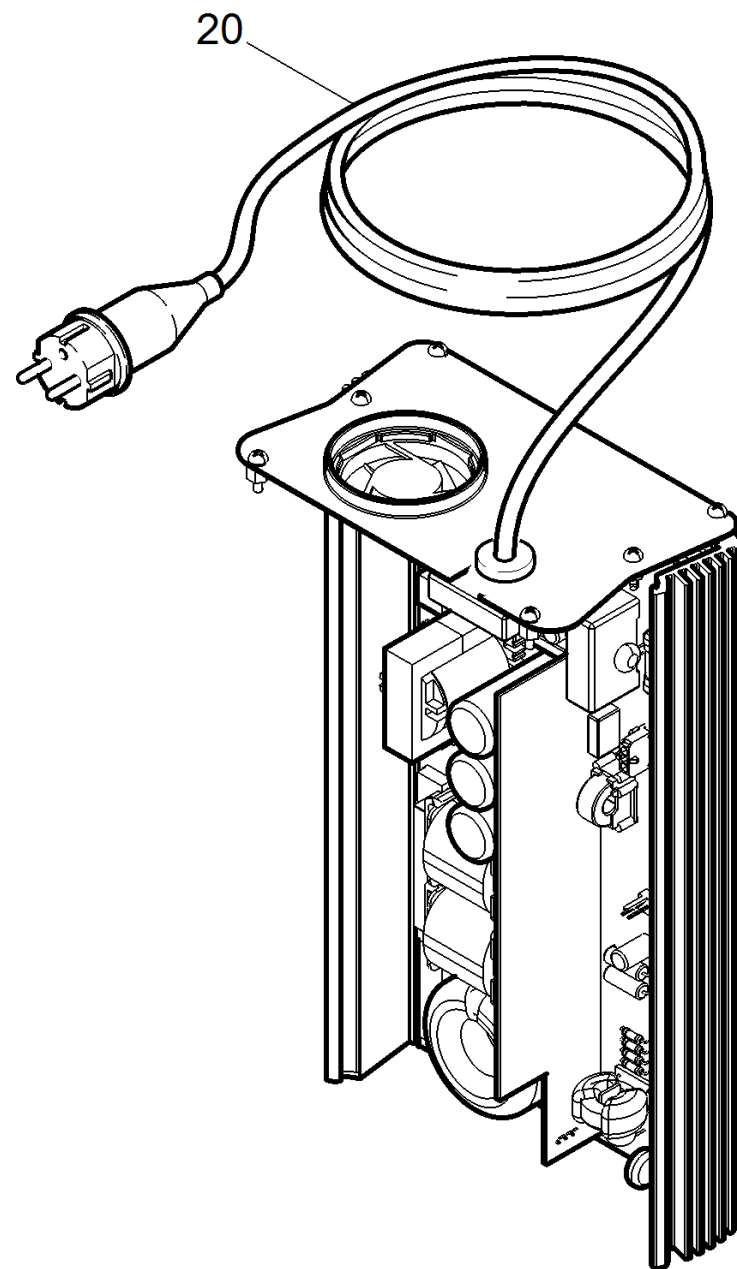
901 Set key yellow KIK (4.035-408.0)

POS	Article no.	Description	Quantity	Unit
10	5.035-344.0	Key yellow KIK	5	PC
20	6.590-355.0	Bag PE 130x140 mm neutral	1	PC
30	6.376-020.0	Label 65X55 MM	1	ZST



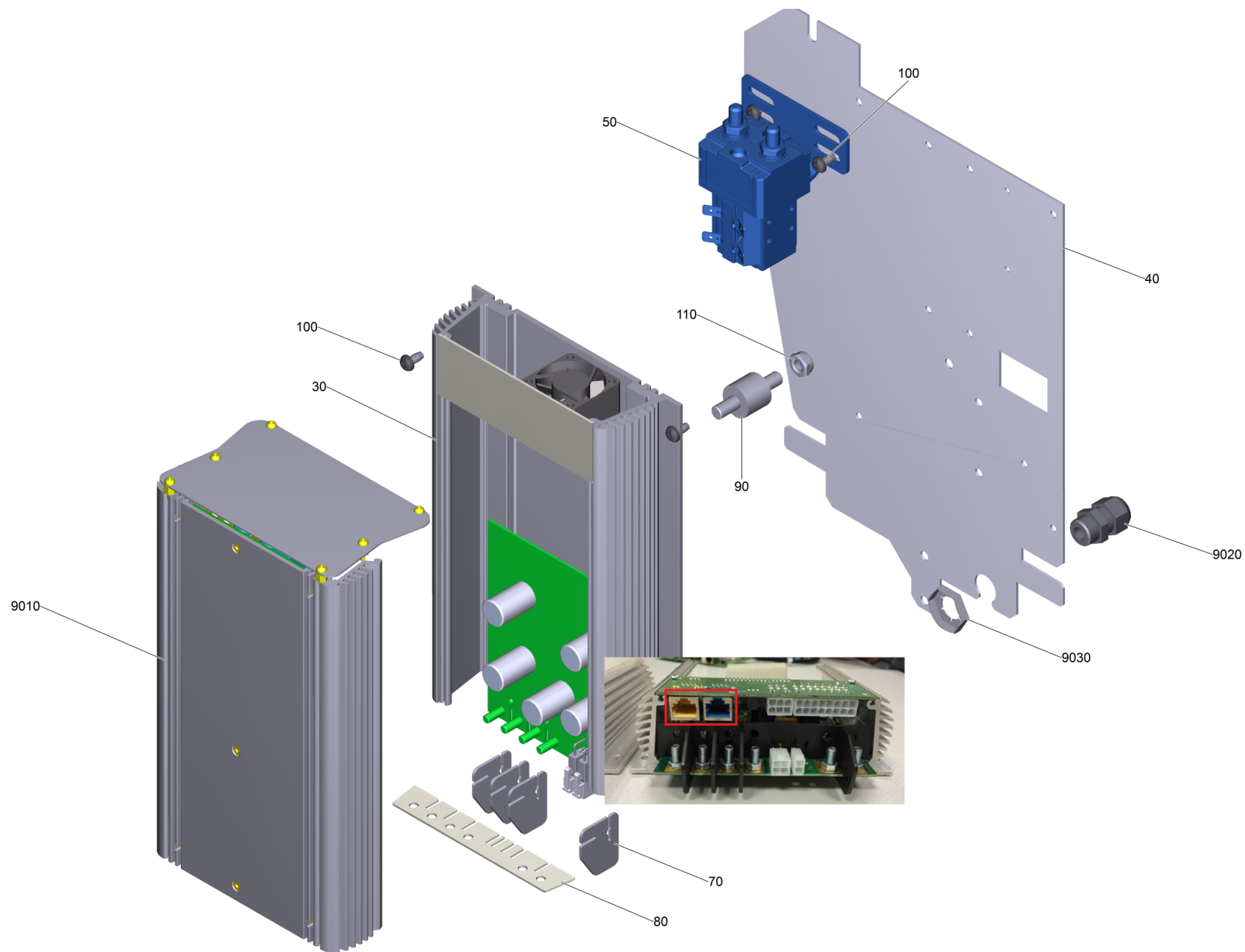
40 Electric equipment B40 C Bp Dose *UL

POS	Article no.	Description	Quantity	Unit
10	4.822-899.0	Cable harness B40 C Bp	1	PC
30	6.683-117.0	Electronics control system replacement B	1	PC
40	5.035-449.0	Plate base plate electronics	1	PC
50	6.633-044.0	Relay 120A	1	PC
50	6.633-389.0	Relay 24VDC / 100A	1	PC
70	5.035-359.0	Moulded part plate electronics klein	4	PC
80	5.035-362.0	Moulded part plate electronics	1	PC
90	6.652-033.0	Isolator	1	PC
100	7.303-037.0	Screw M5x10 -St-P2R (In6Rd)	6	PC
110	7.311-427.0	Hexagon nut M8 -04-A2E DIN 985	1	PC
120	6.648-399.0	Cable gland black M16x1,5	1	PC
130	7.777-999.0	Stockpiling discontinued	1	PC
9000	6.645-554.0	Connecting cable control system battery charger	1	PC
9010	6.654-336.0	Battery charger replacement B 40 USA	1	PC
9010	6.683-119.0	Battery charger replacement B 40 *EU	1	PC
9020	6.648-399.0	Cable gland black M16x1,5	1	PC
9030	7.777-999.0	Stockpiling discontinued	1	PC



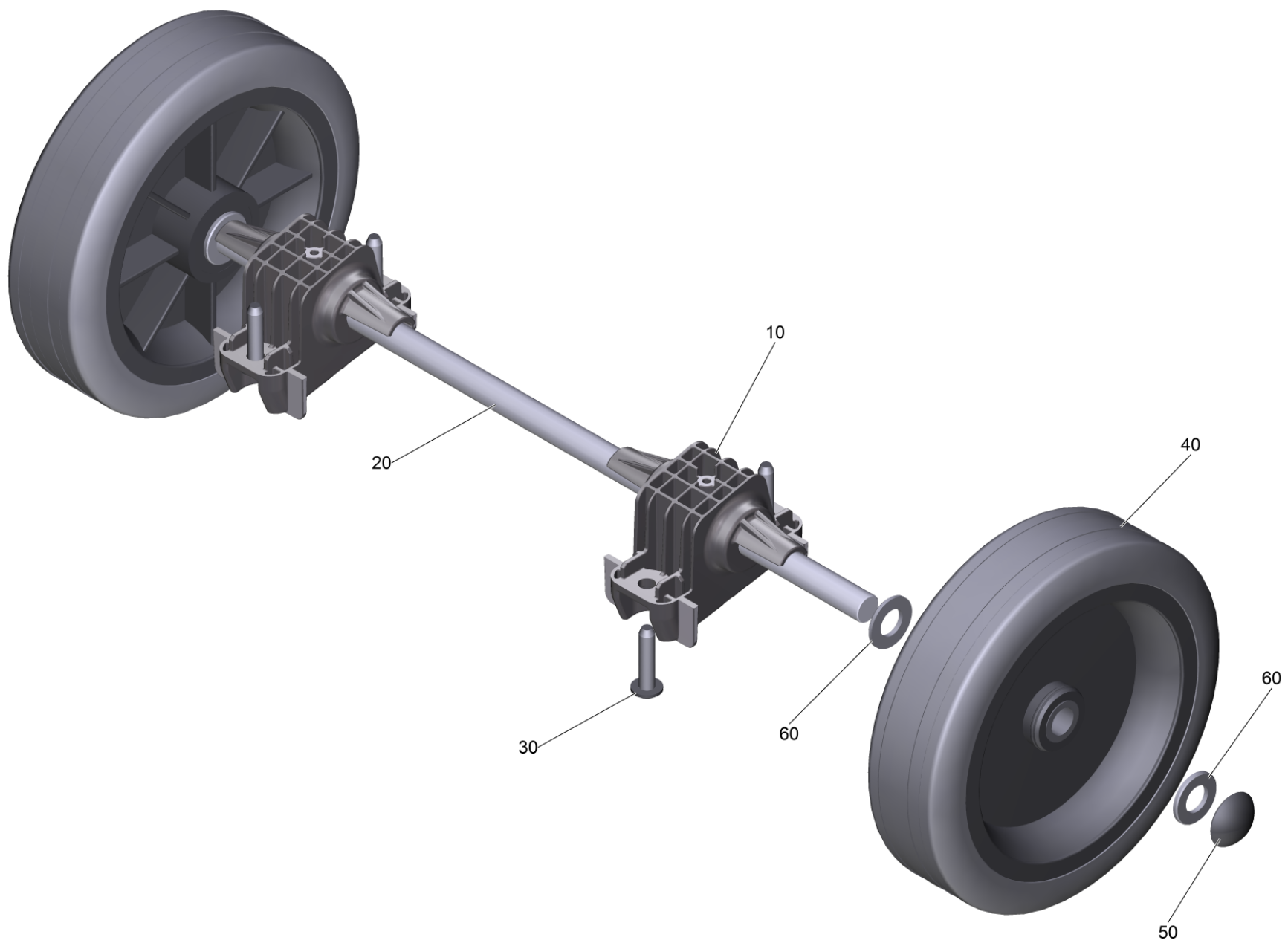
9010 Battery charger replacement B 40 *EU (6.683-119.0)

POS	Article no.	Description	Quantity	Unit	Remark
20	6.645-553.0	Cable with plug	1	PC	*EU
20	6.645-586.0	Cable with plug B40-USA	1	PC	*US



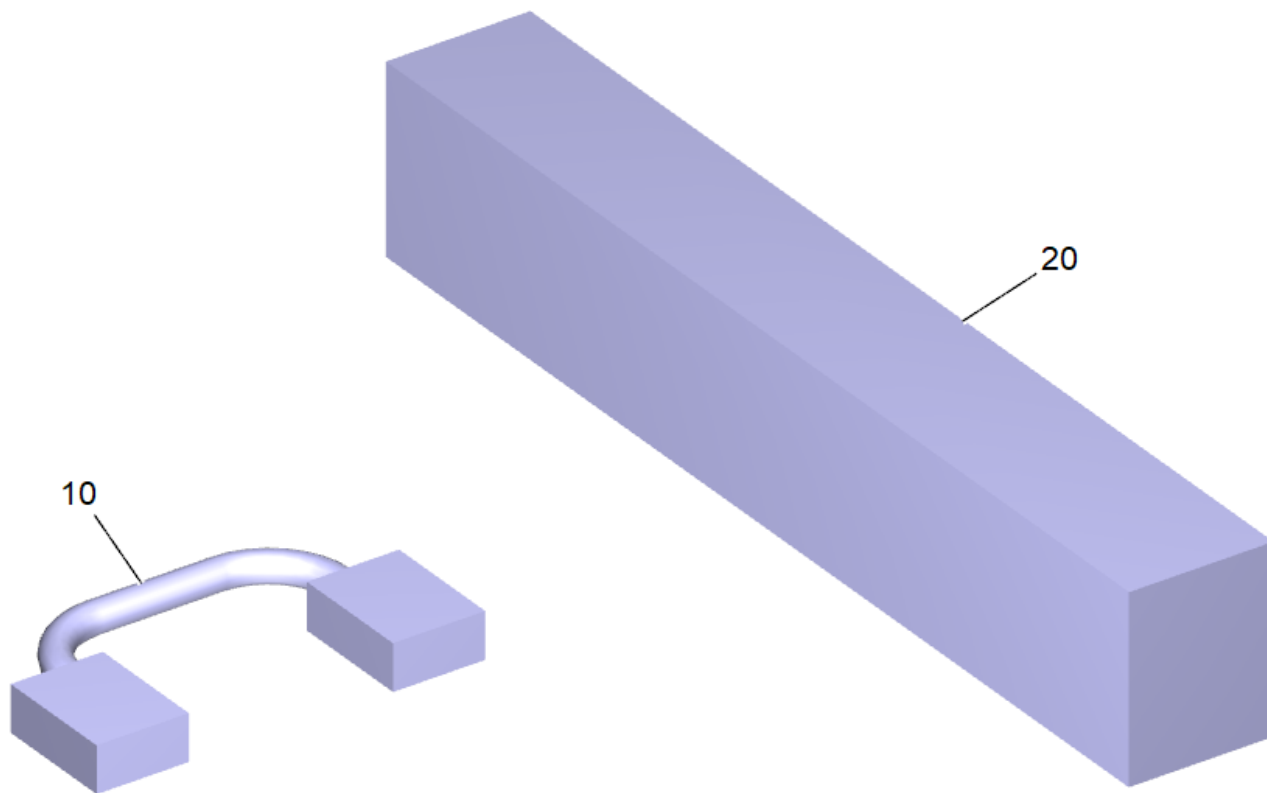
40 Electric equipment B 40 C Bp Dose US CAN

POS	Article no.	Description	Quantity	Unit
10	4.822-899.0	Cable harness B40 C Bp	1	PC
30	4.683-074.0	Electronics control system replacement B	1	PC
40	5.035-449.0	Plate base plate electronics	1	PC
50	4.633-110.0	Relay replacement set	1	PC
70	5.035-359.0	Moulded part plate electronics klein	4	PC
80	5.035-362.0	Moulded part plate electronics	1	PC
90	6.652-033.0	Isolator	1	PC
100	7.303-037.0	Screw M5x10 -St-P2R (In6Rd)	6	PC
110	7.311-427.0	Hexagon nut M8 -04-A2E DIN 985	1	PC
9000	6.645-554.0	Connecting cable control system battery charger	1	PC
9010	6.654-336.0	Battery charger replacement B 40 USA	1	PC
9020	6.648-399.0	Cable gland black M16x1,5	1	PC
9030	7.777-999.0	Stockpiling discontinued	1	PC



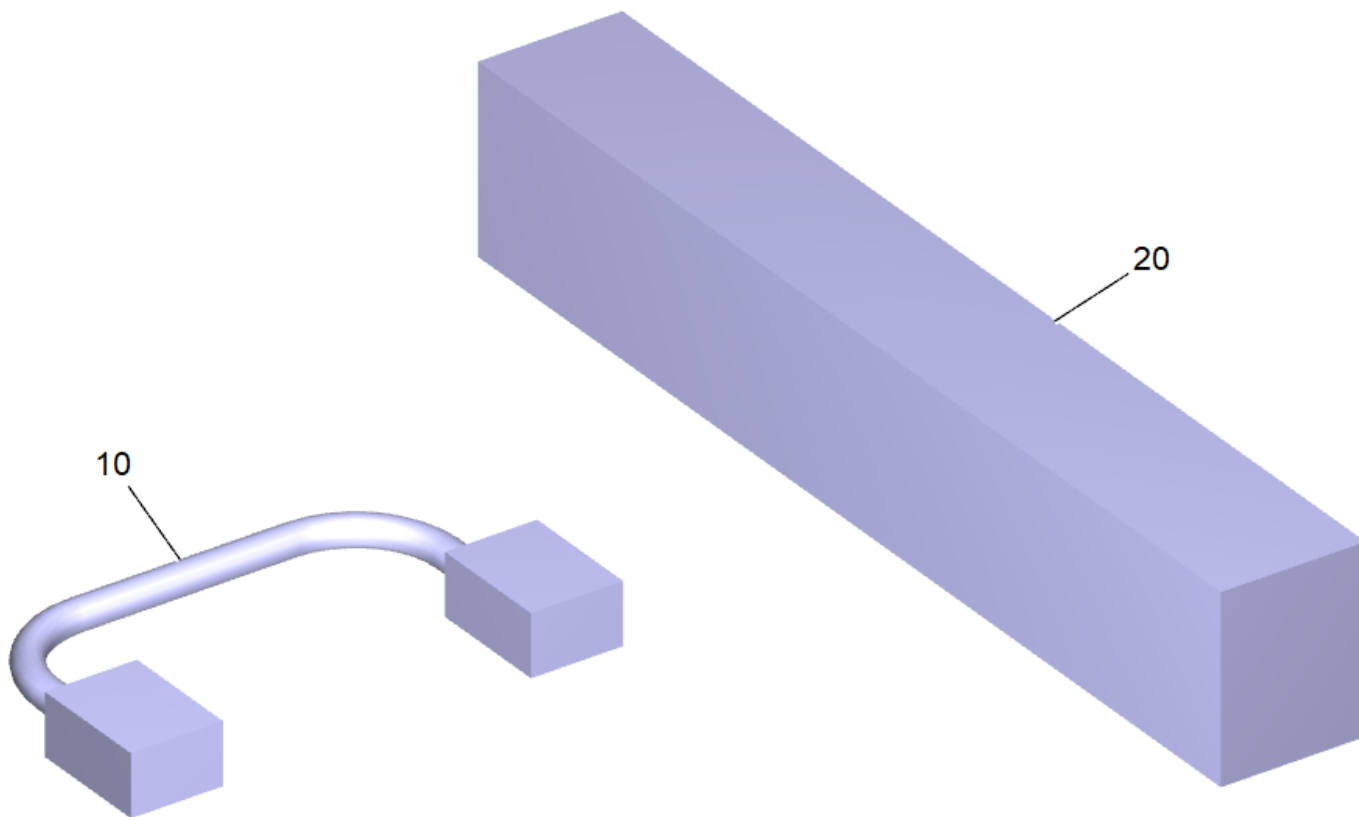
70 Axle complete

POS	Article no.	Description	Quantity	Unit
10	5.035-352.0	Holder axle	2	PC
20	5.035-360.0	Wheel axle carriage	1	PC
30	6.303-315.0	Screw 8 x 35	4	PC
40	6.435-412.0	Wheel D 200	2	PC
50	6.343-240.0	Lock washer	2	PC
60	7.312-028.0	Washer 14-200HV-A3E ISO7089	4	PC



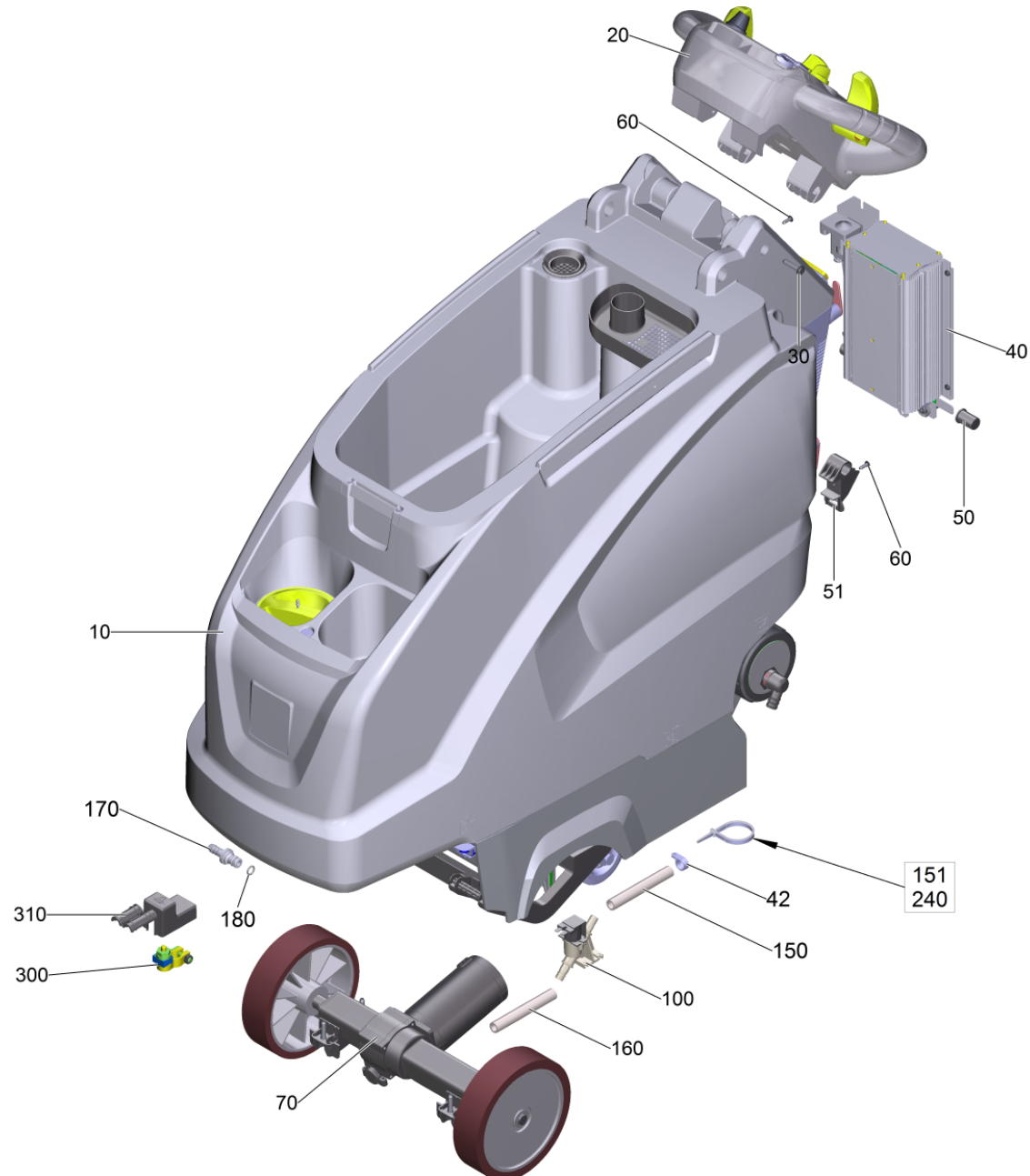
9523 Mounting kit battery kit (2.638-036.0)

POS	Article no.	Description	Quantity	Unit
10	6.649-879.0	Cable battery 25 mm ² . 160 mm	1	PC
20	5.642-021.0	Distance holder battery	1	PC



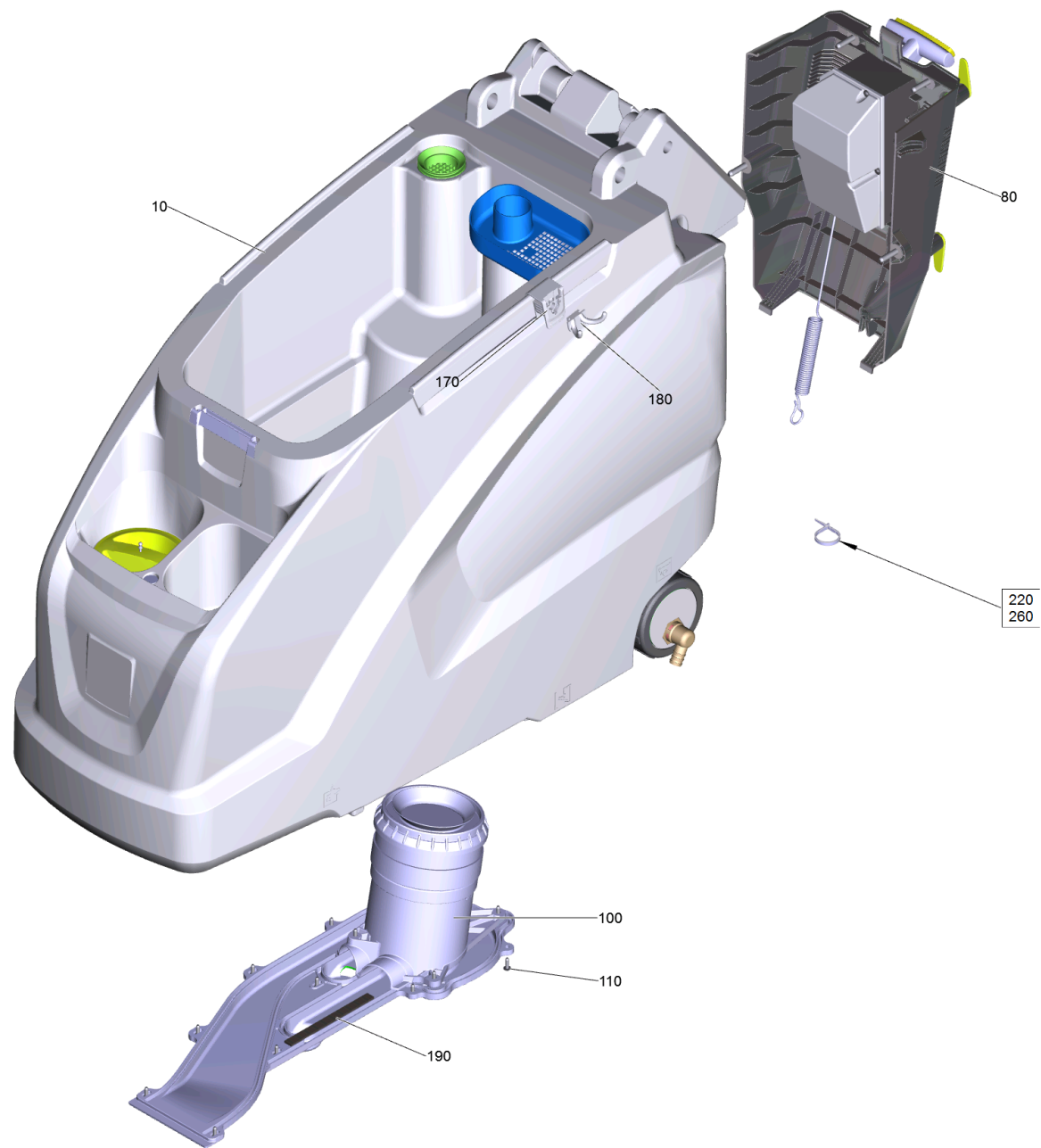
9531 Mounting kit battery kit (2.638-059.0)

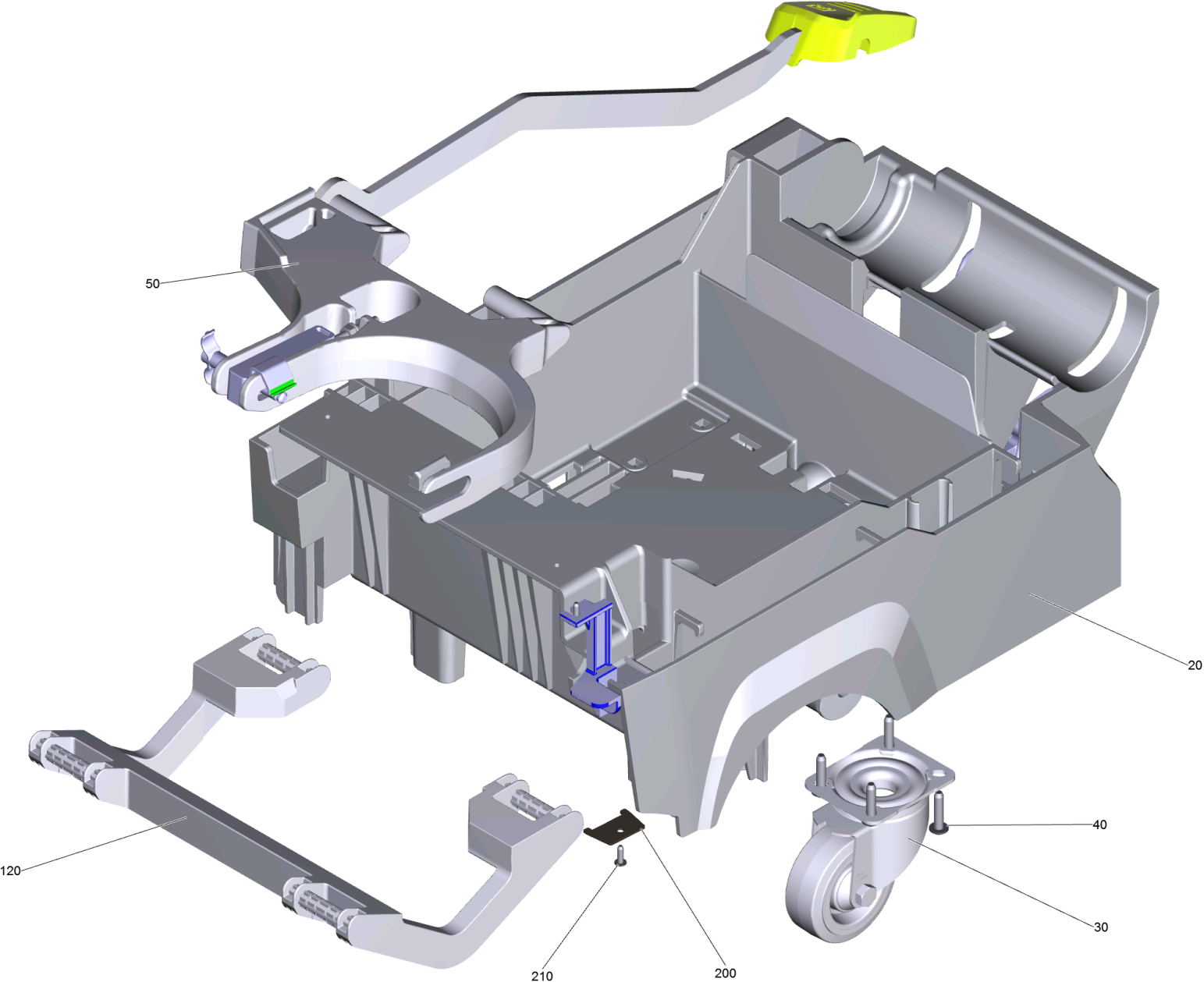
POS	Article no.	Description	Quantity	Unit
10	6.649-601.0	Cable battery short Hoppecke	1	PC
20	5.642-021.0	Distance holder battery	1	PC

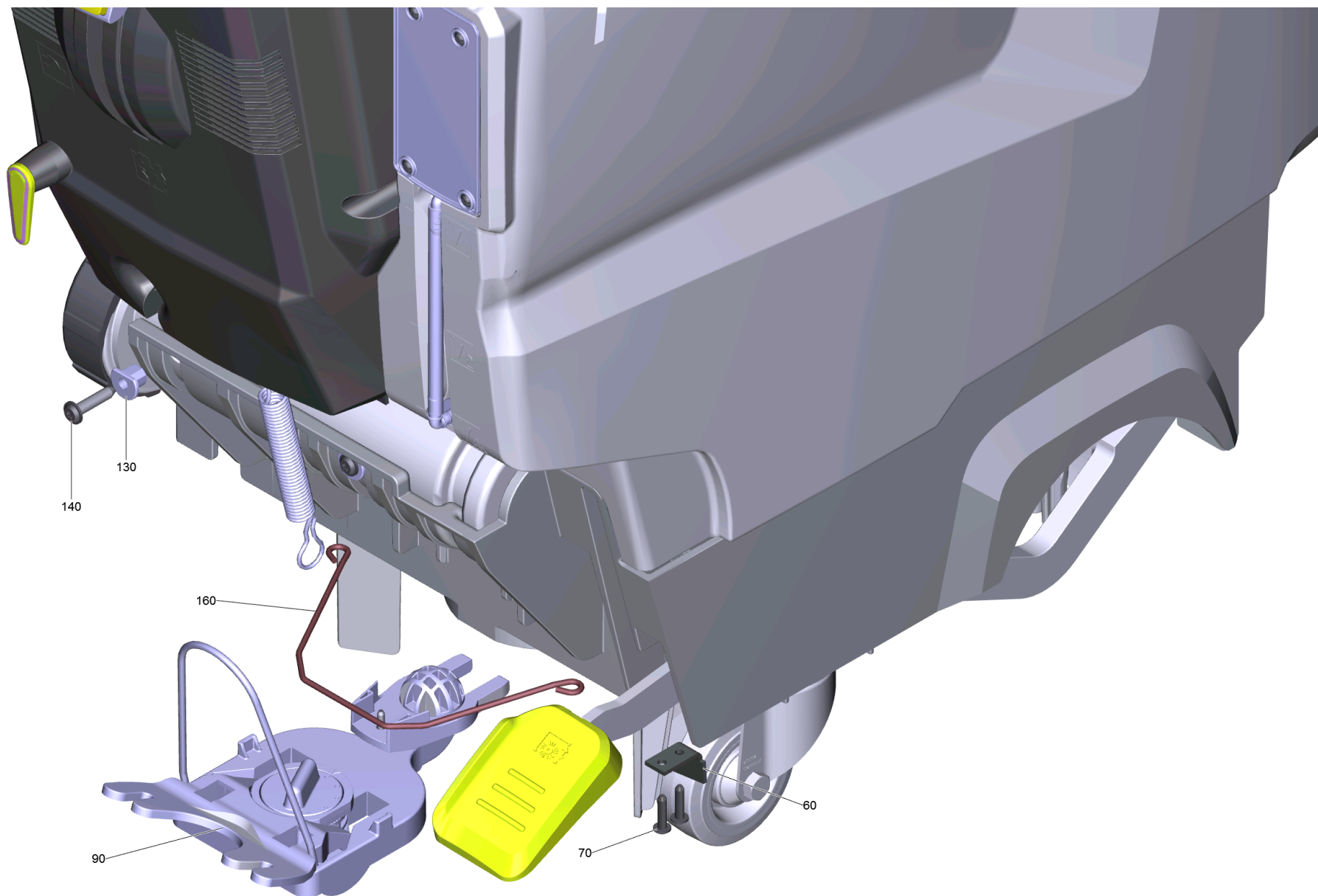


150 B 40 W Bp Fleet *UL (2.533-227.7)

POS	Article no.	Description	Quantity	Unit	Foot note text
10		Basic machinery B 40	1	PC	
20		Control panel complete 40W Bp Fleet NA	1	PC	
30	6.303-315.0	Screw 8 x 35	4	PC	
40		Electric equipment B40 W Bp Dose	1	PC	OLD VERSION
40		Electric equipment B 40 W Bp Dose US Can	1	PC	NEW VERSION
42	6.373-877.0	Hose clip	1	PC	
50	5.035-450.0	Bearing bush electronics	2	PC	
51	5.035-433.0	Adapter	2	PC	
60	7.303-107.0	Screw 5x16 -10.9-P2R (K-In6Rd)	4	PC	
70		Gear complete B 40 W	1	PC	
100	6.472-007.3	Solenoid valve 24 V	1	PC	
150	6.390-892.0	Spiral hose NW12	1	m	
151	6.641-474.0	Cable tape 8-210	4	PC	
160	6.390-892.0	Spiral hose NW12	1	m	
170	5.443-375.0	Hose stem	1	PC	
180	6.362-170.0	O-Ring seal 11,3 X 2,4-NBR 70	1	PC	
240	6.641-463.0	Cable tape	1	PC	
300	6.644-618.0	Pole binder	1	PC	
310	5.394-852.0	Covering cap battery terminal	1	PC	
1000		Documentation W Bp *UL	1	PC	
9520	2.815-099.0	Battery kit Gel 2x 12V/76Ah	1	SET	
9521	2.815-100.0	Battery kit Gel 2x 12V/105Ah	1	SET	
9522	2.815-090.0	Battery kit AGM 2x 12V/80Ah	1	SET	
9523	2.638-036.0	Mounting kit battery kit	1	PC	
9530	2.815-091.0	Battery kit AGM 2x 12V/115Ah	1	SET	
9531	2.638-059.0	Mounting kit battery kit	1	PC	

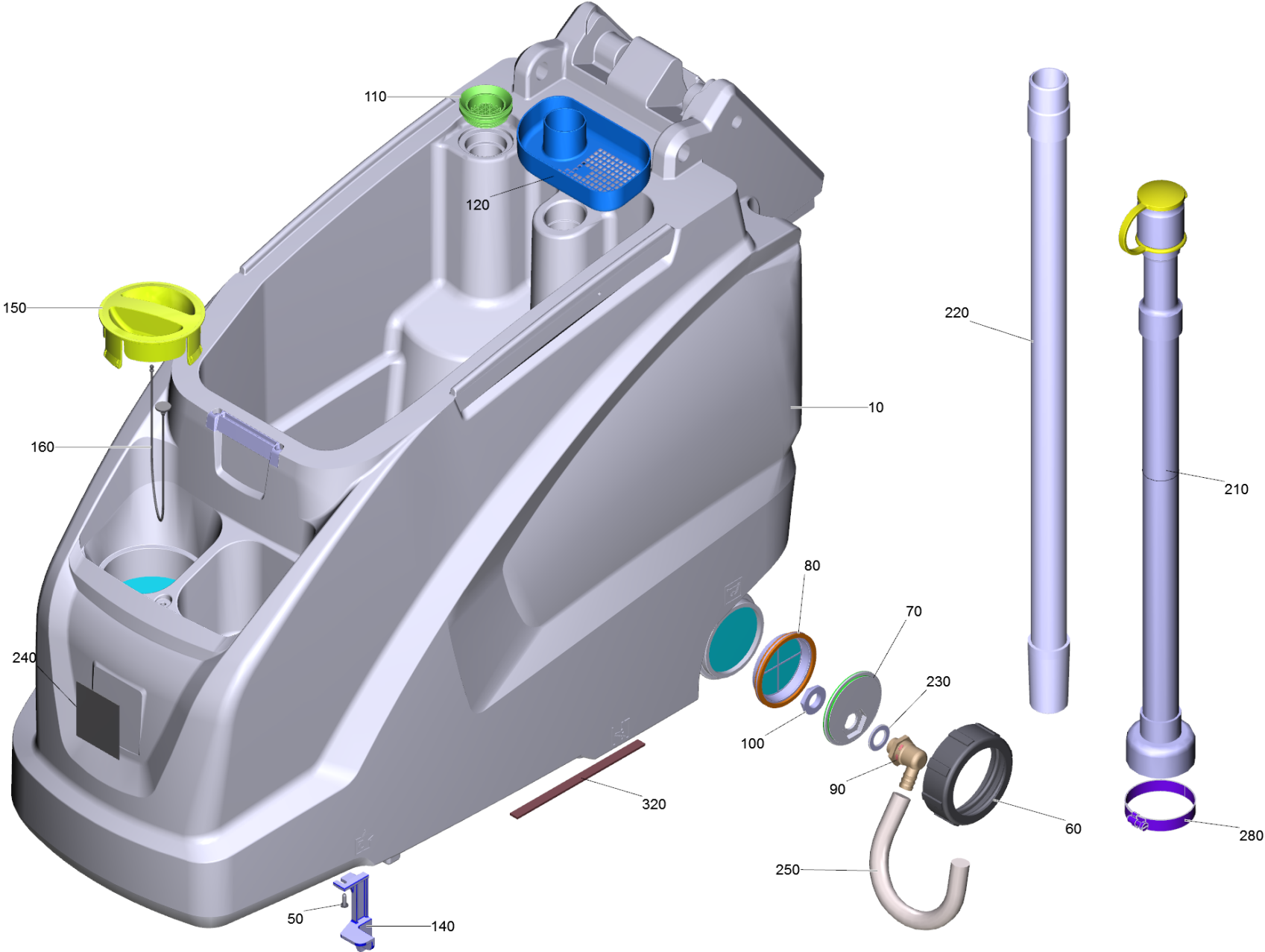


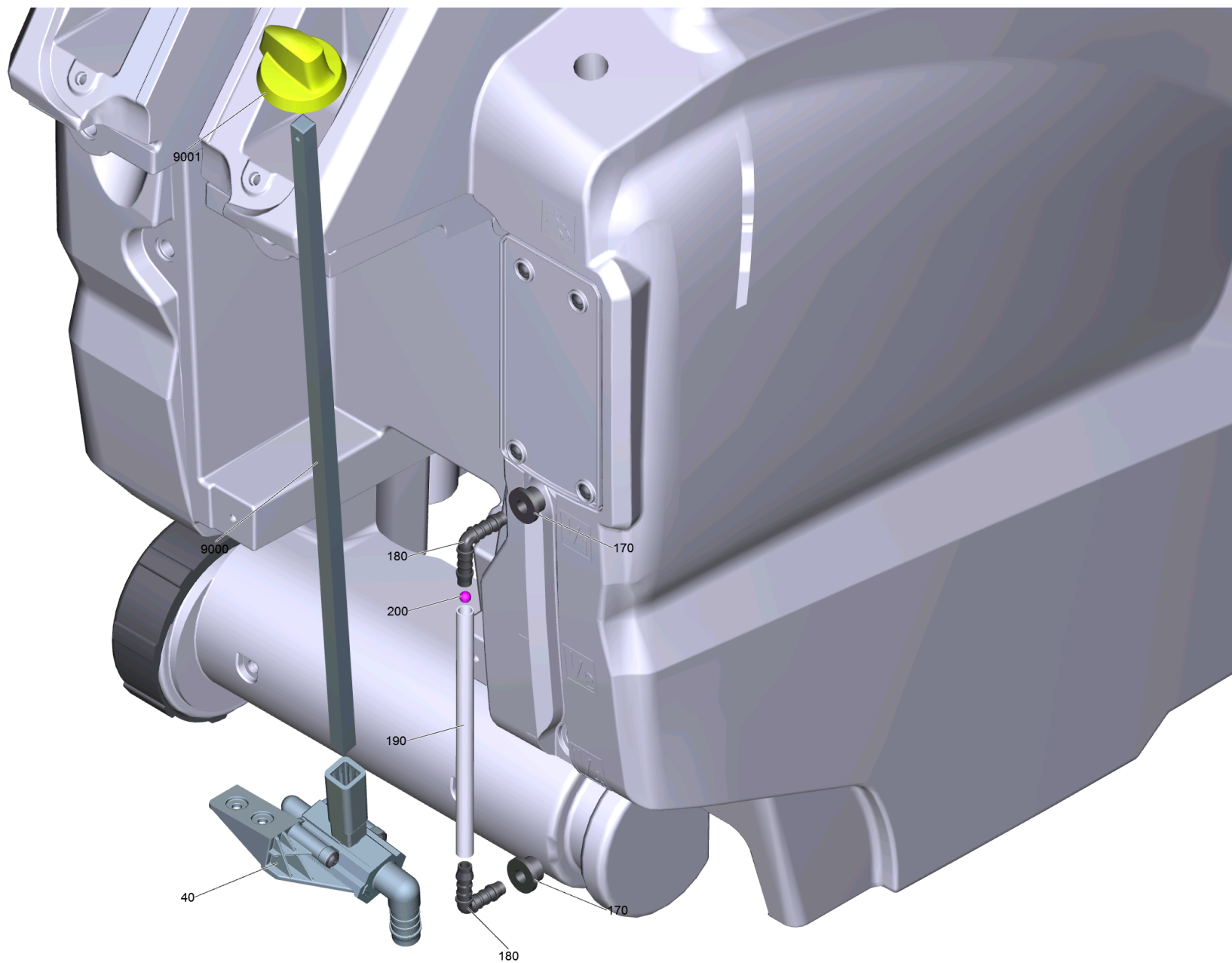


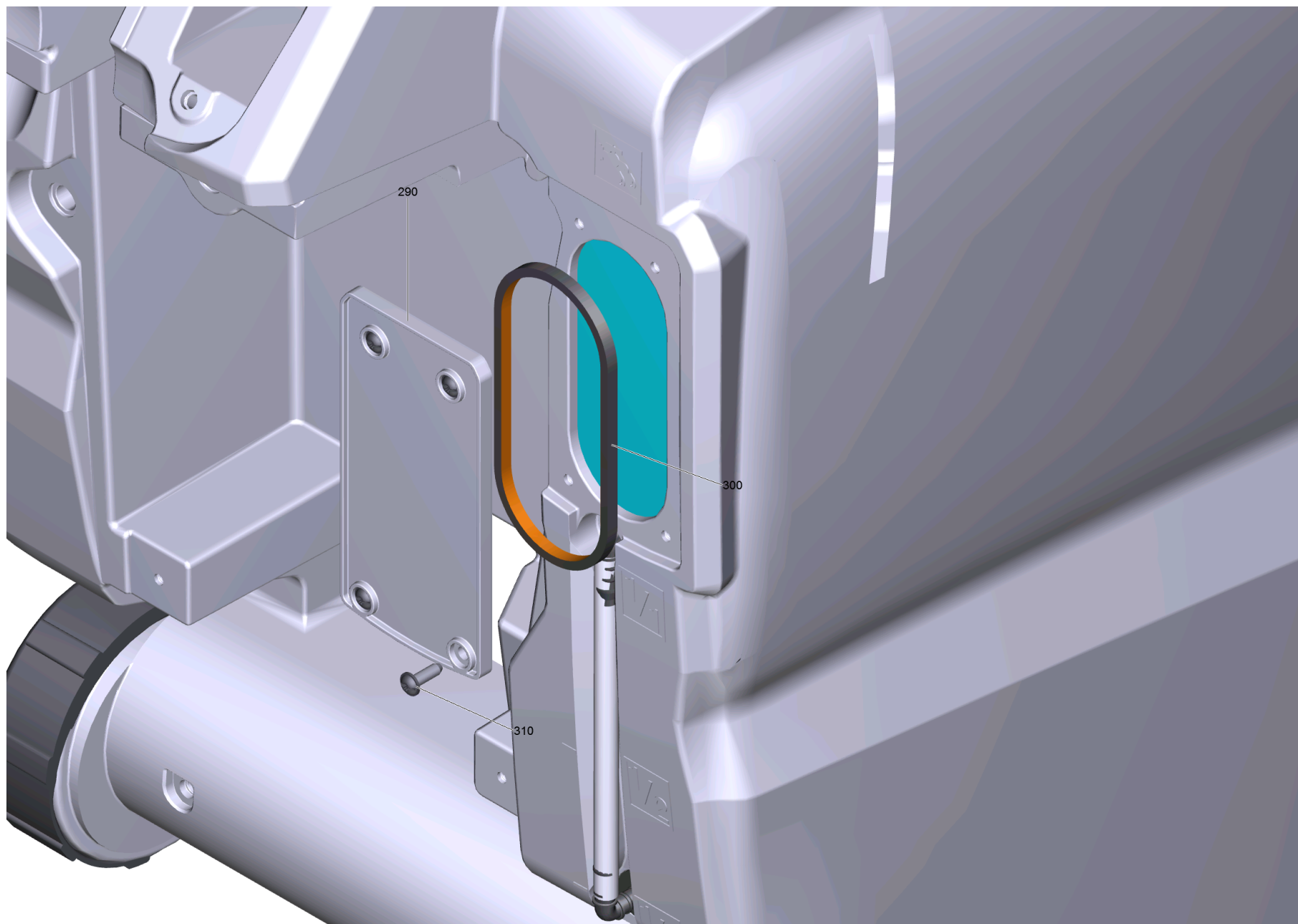


10 Basic machinery B 40

POS	Article no.	Description	Quantity	Unit	Foot note text
10	4.035-335.0	Tank complete	1	PC	
20	5.035-350.0	Frame B40	1	PC	
30	6.435-011.3	Castor	2	PC	
40	6.303-315.0	Screw 8 x 35	8	PC	
50		Suspension brush-head complete	1	PC	
60	5.035-361.0	Sheet metal component	1	PC	
70	7.303-109.0	Screw 5x25 -10.9-R2R (In6Rd)	2	PC	
80		Covering cap rear complete	1	PC	
90		Suction bar lifting complete	1	PC	
100		Vacuum motor	1	PC	
110	7.303-107.0	Screw 5x16 -10.9-P2R (K-In6Rd)	13	PC	
120	5.035-334.0	Retaining bracket connecting rod	1	PC	
130	5.035-522.0	Sleeve	3	PC	
140	6.303-315.0	Screw 8 x 35	3	PC	
160	5.035-440.0	Wire spring	1	PC	
170	5.035-488.0	Adapter Homebase	1	PC	
180	6.980-077.0	Double hook	1	PC	
190	6.273-090.0	Sealing tape 13x3	1	m	TO ORDER AS CUT GOODS
200	5.035-726.0	Plate	1	PC	
210	7.303-107.0	Screw 5x16 -10.9-P2R (K-In6Rd)	1	PC	
220	6.641-465.0	Cable tape	1	PC	
260	6.647-081.0	Cable tape	1	PC	

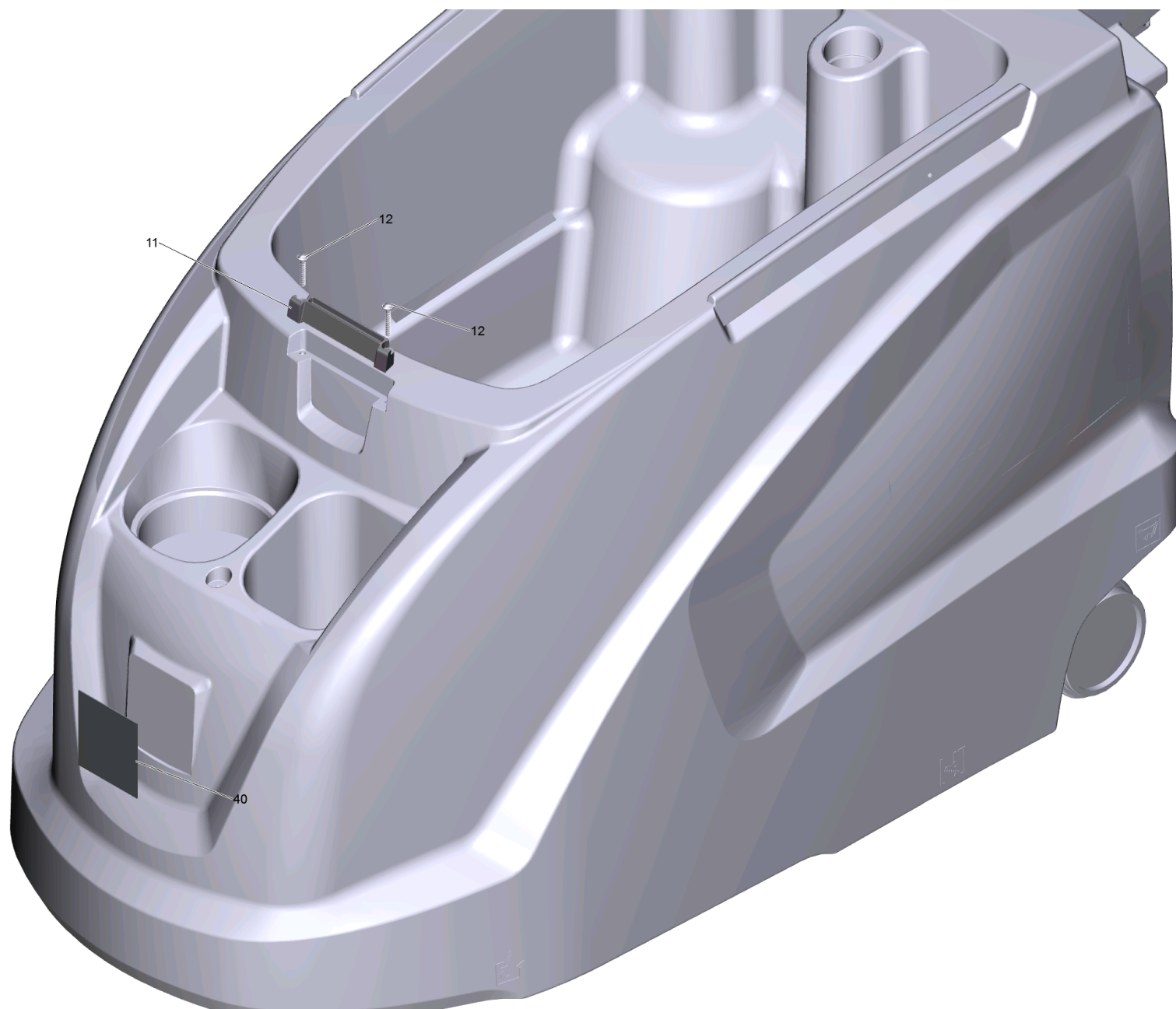






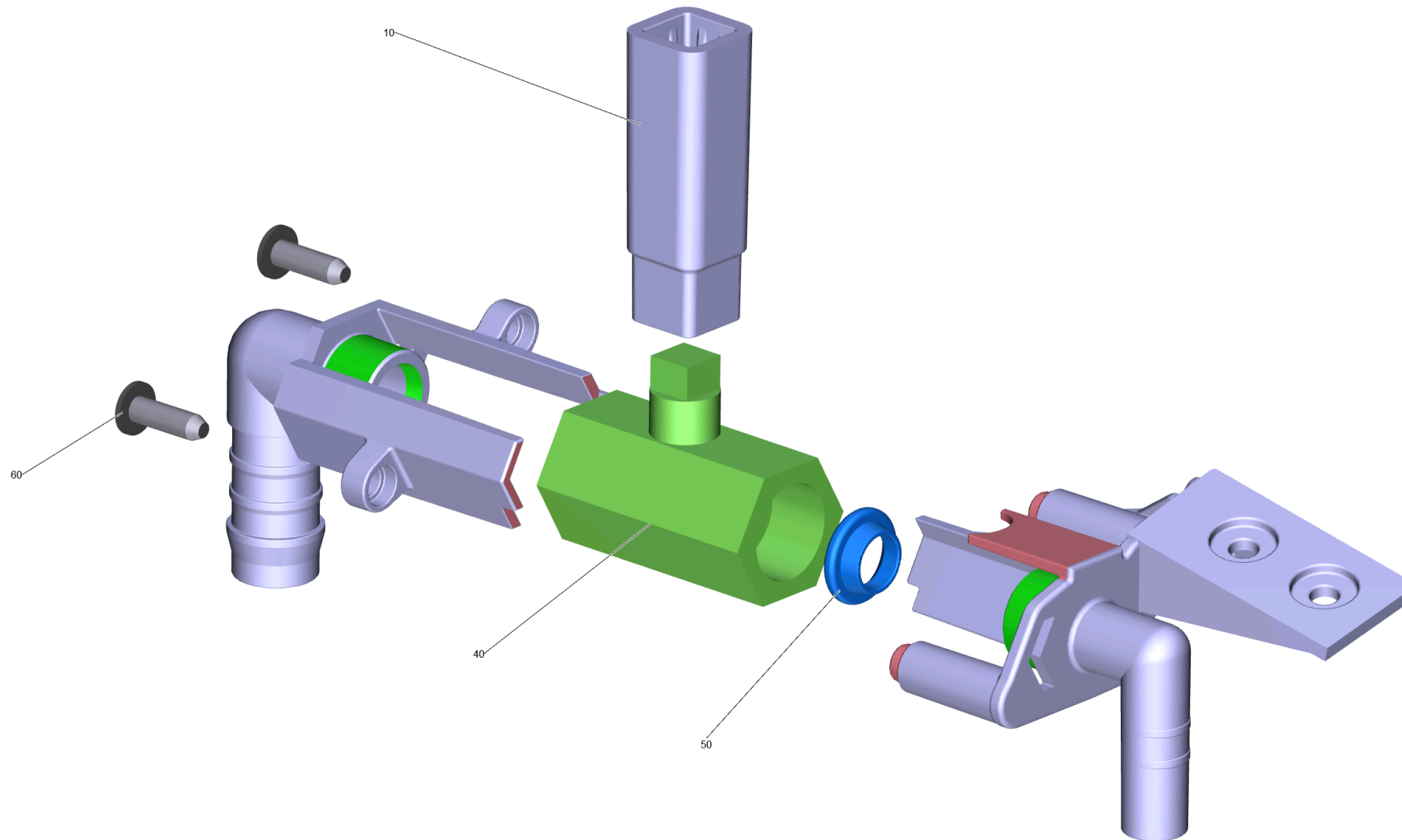
10 Tank complete (4.035-335.0)

POS	Article no.	Description	Quantity	Unit	Foot note text
10	4.035-429.0	Tank replacement B40	1	PC	
40	4.035-426.0	Ball valve complete replacement	1	PC	
50	7.303-107.0	Screw 5x16 -10.9-P2R (K-In6Rd)	3	PC	
60	5.035-341.0	Cover fresh water tank discharge	1	PC	
70	5.035-342.0	Hose connection fresh water discharge	1	PC	
80	5.035-376.0	Filter discharge	1	PC	
90	6.395-163.3	Angle bushing G1-2	1	PC	
100	6.310-004.0	Hexagon nut G 1/2"	1	PC	
110	5.515-266.0	Joint ring fluffing strainer	1	PC	
120	5.036-932.0	Tank bulk waste yellow	1	PC	
140	5.035-435.0	Tank locking part	1	PC	
150	5.034-099.0	Cover fresh water metering RM	1	PC	
160	5.035-358.0	Mounting rope cover fresh water tank	1	PC	
170	5.035-608.0	Wire protecting sleeve	2	PC	
180	6.391-913.0	Elbow nipple	2	PC	
190	5.035-328.0	Silicon hose level indicator	1	PC	
200	6.035-072.0	Sphere level indicator D6	1	PC	
210	4.035-285.0	Drain hose with cover PU	1	PC	OIL RESISTANT
220	6.392-471.0	Suction hose PU DN32	1	PC	
230	5.515-253.0	Seal D34	1	PC	
240	5.394-081.0	Label signet gel 78x86	1	PC	
250	6.390-324.0	Hose DN16	1	m	TO ORDER AS CUT GOODS
280	6.388-767.0	Hose clip 70- 90	1	PC	
290	4.035-370.0	Screen filling system	1	PC	
300	5.035-418.0	Seal fixing plate	1	PC	
310	7.303-107.0	Screw 5x16 -10.9-P2R (K-In6Rd)	4	PC	
320	6.273-043.0	Sealing tape cellularrubber 9x4	1	m	TO ORDER AS CUT GOODS
9000	5.035-369.0	Bar	1	PC	
9001	5.035-404.0	Handle	1	PC	



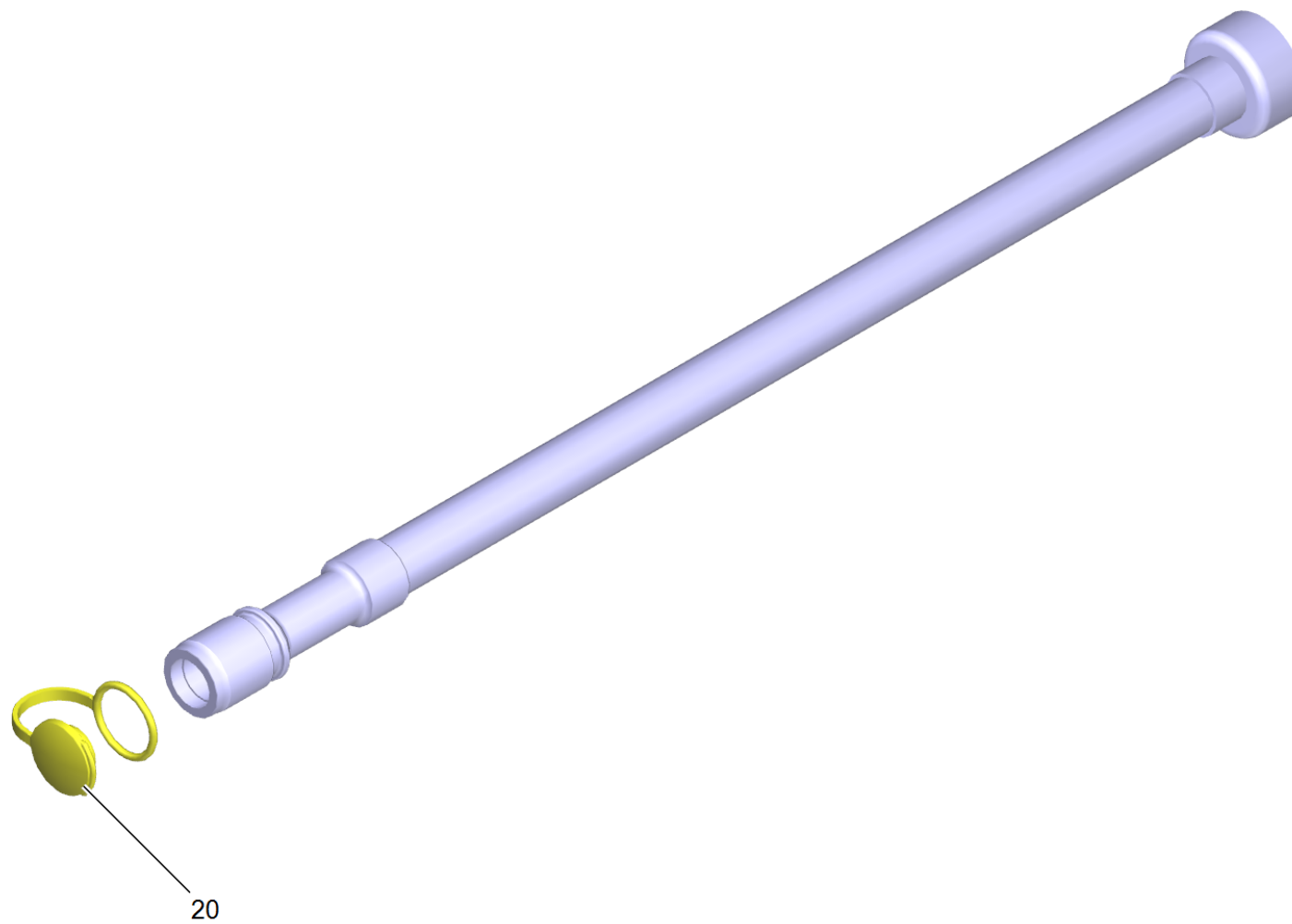
10 Tank replacement B40 (4.035-429.0)

POS	Article no.	Description	Quantity	Unit
11	5.035-482.0	Add-on part tank cover	1	PC
12	7.303-086.0	Screw 5x30 -10.9-R2R (K-In6Rd)	2	PC
40	5.394-081.0	Label signet gel 78x86	1	PC



40 Ball valve complete replacement (4.035-426.0)

POS	Article no.	Description	Quantity	Unit
10	5.035-459.0	Coupler piece ball valve	1	PC
40	6.413-586.0	Ball valve without handhold	1	PC
50	5.035-770.0	Seal ball valve	2	PC
60	7.303-107.0	Screw 5x16 -10.9-P2R (K-In6Rd)	2	PC

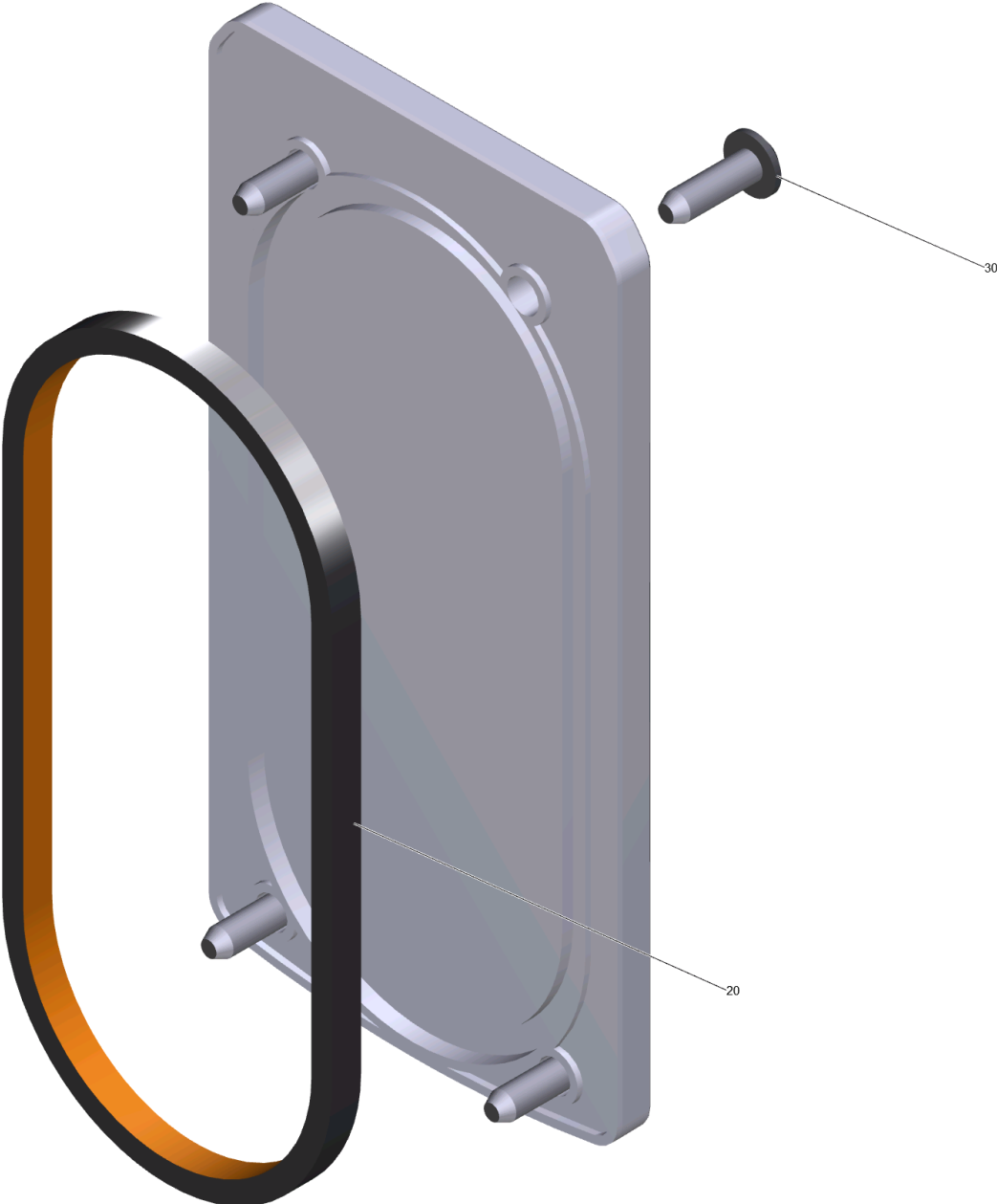


210 Drain hose with cover PU (4.035-285.0)

POS	Article no.	Description	Quantity	Unit
20	5.036-249.0	Cover plate drain hose yellow PU	1	PC

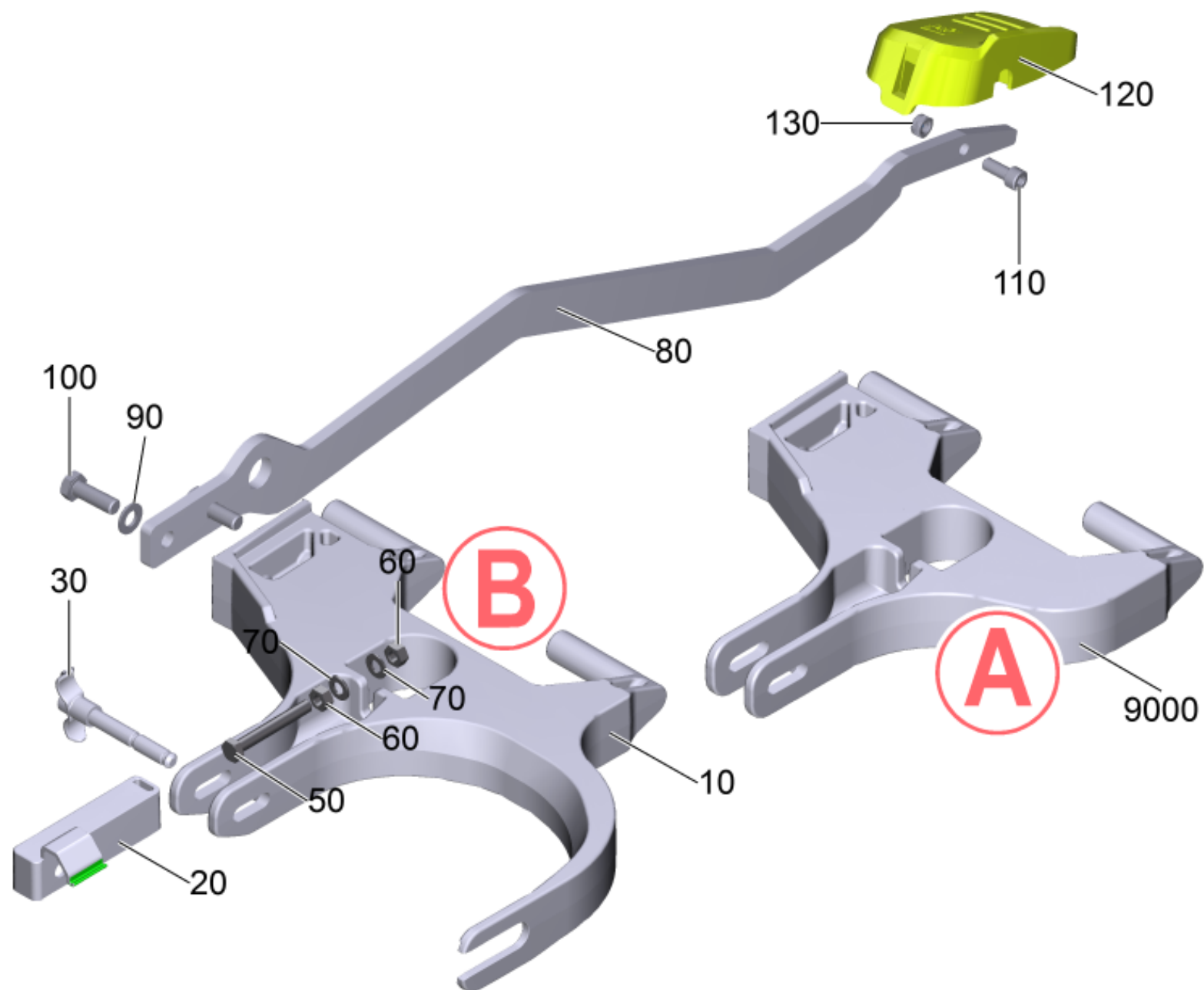
290 Screen filling system (4.035-370.0)

POS	Article no.	Description	Quantity	Unit
10	4.035-370.7	Screen filling system	1	PC



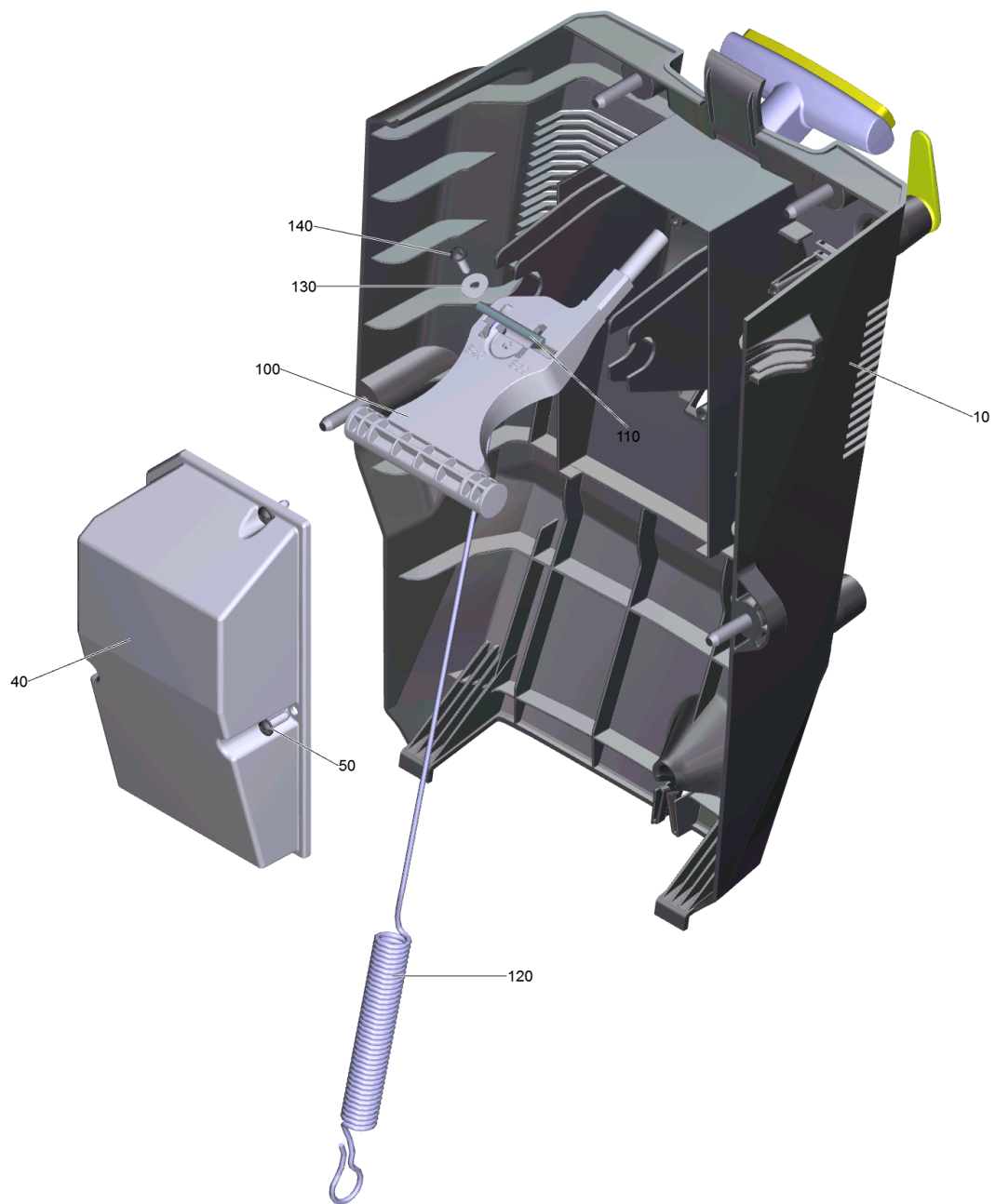
10 Screen filling system (4.035-370.7)

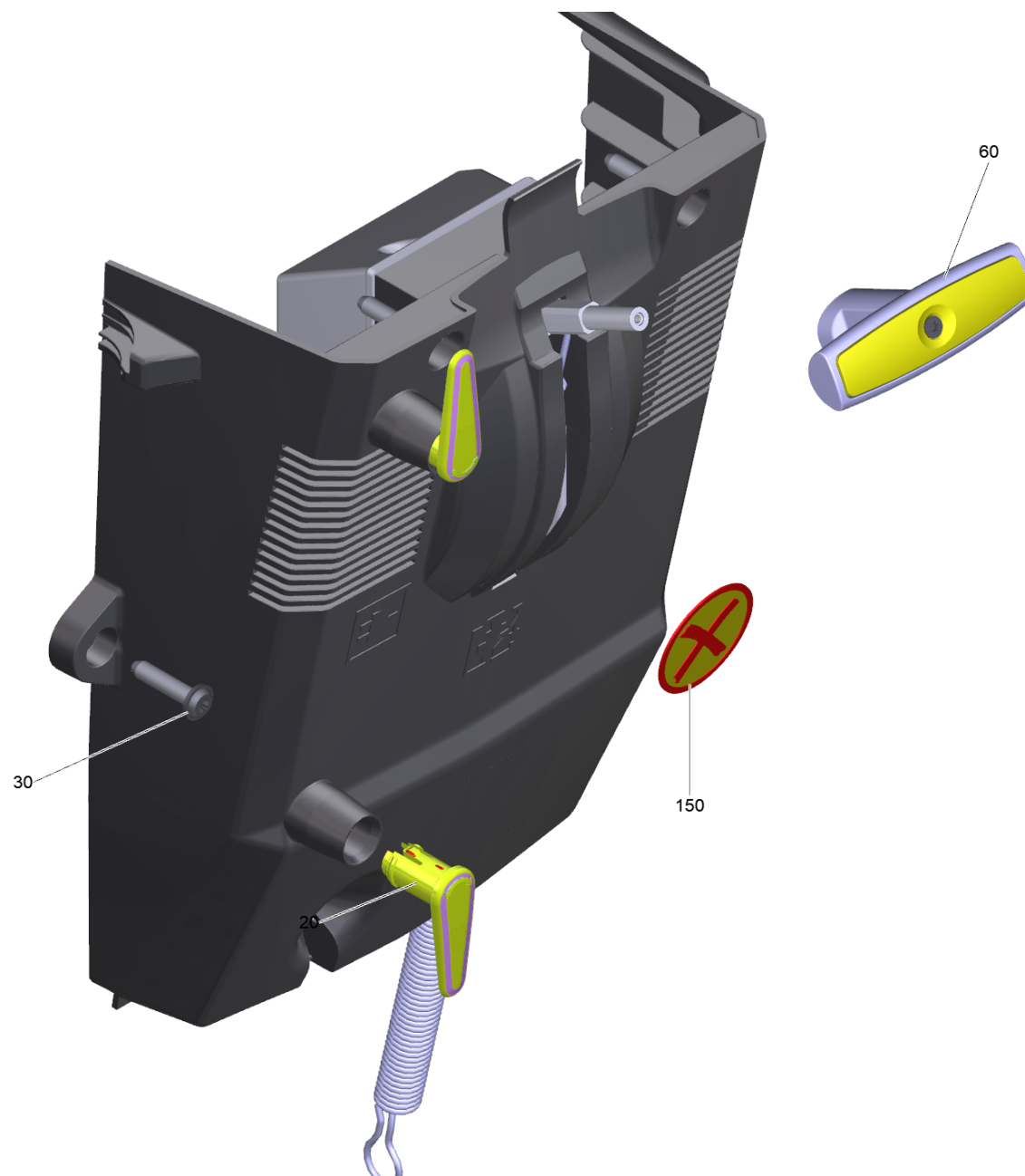
POS	Article no.	Description	Quantity	Unit
20	5.035-418.0	Seal fixing plate	1	PC
30	7.303-107.0	Screw 5x16 -10.9-P2R (K-In6Rd)	4	PC



50 Suspension brush-head complete

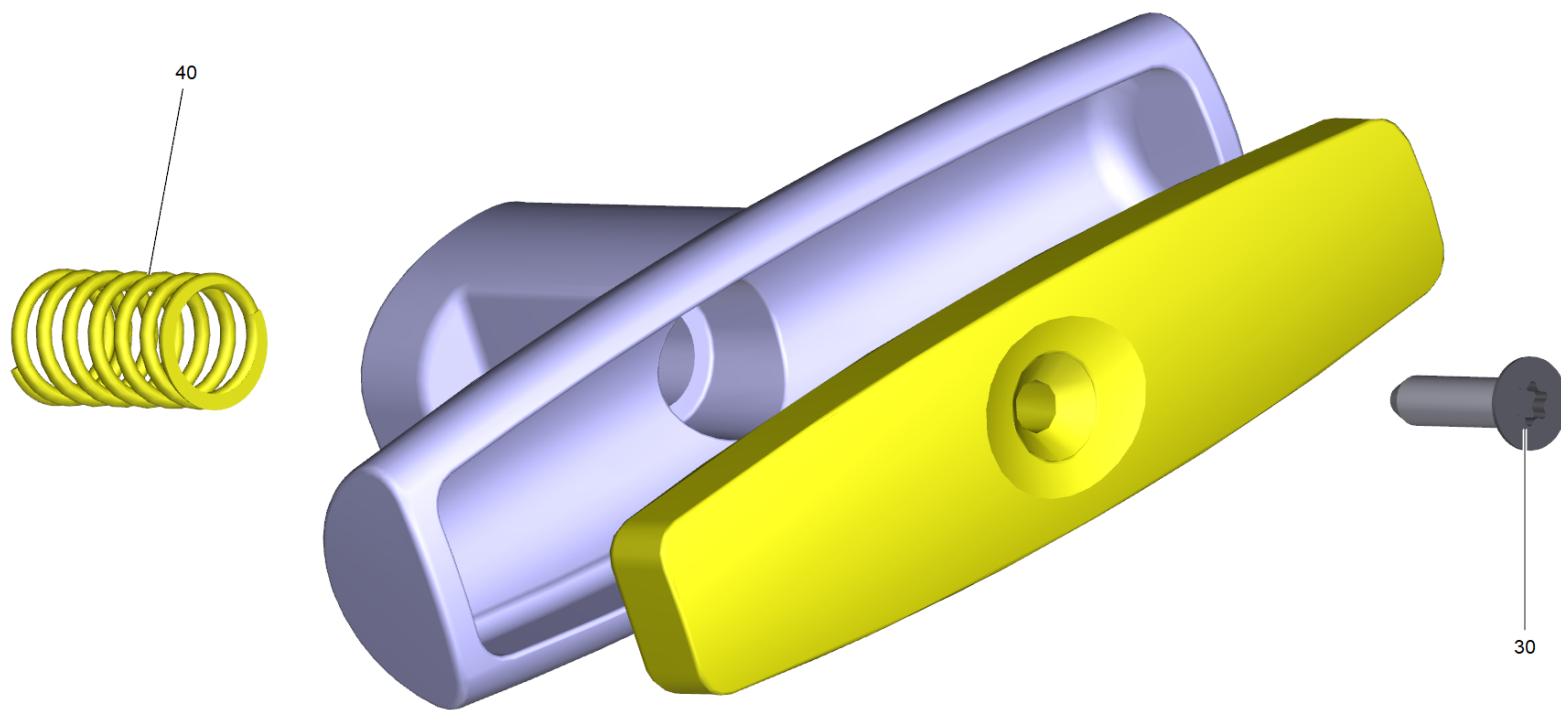
POS	Article no.	Description	Quantity	Unit	Foot note text
10	5.035-675.0	Suspension brush-head triple	1	PC	VERSION B
20	5.035-377.0	Adjusting element brush-head	1	PC	
30	5.035-865.0	Handhold bolt brush-head	1	PC	
50	7.304-262.0	Hexagonal head screw M8x60-A4-70 ISO 40	1	PC	
60	7.311-068.0	Hexagon nut M 8-A2-70 ISO 4032	2	PC	
70	7.312-004.0	Washer 8 -200HV-A3E ISO 7089	2	PC	
80	5.035-370.0	Lever plate brush-head	1	PC	
90	7.312-005.0	Washer 10-200HV-A3E ISO 7089	2	PC	
100	7.304-417.0	Hexagonal head screw M10x30-8.8-A3E ISO	2	PC	
110	7.306-041.0	Cylinder head screw M8x20 -8.8-A2E ISO	1	PC	
120	5.035-374.0	Pedal brush-head	1	PC	
130	7.311-432.0	Hexagon nut M 8-1.4305 DIN 985	1	PC	
9000	2.882-733.0	Conversion kit suspension brush-head B40	1	PC	VERSION A





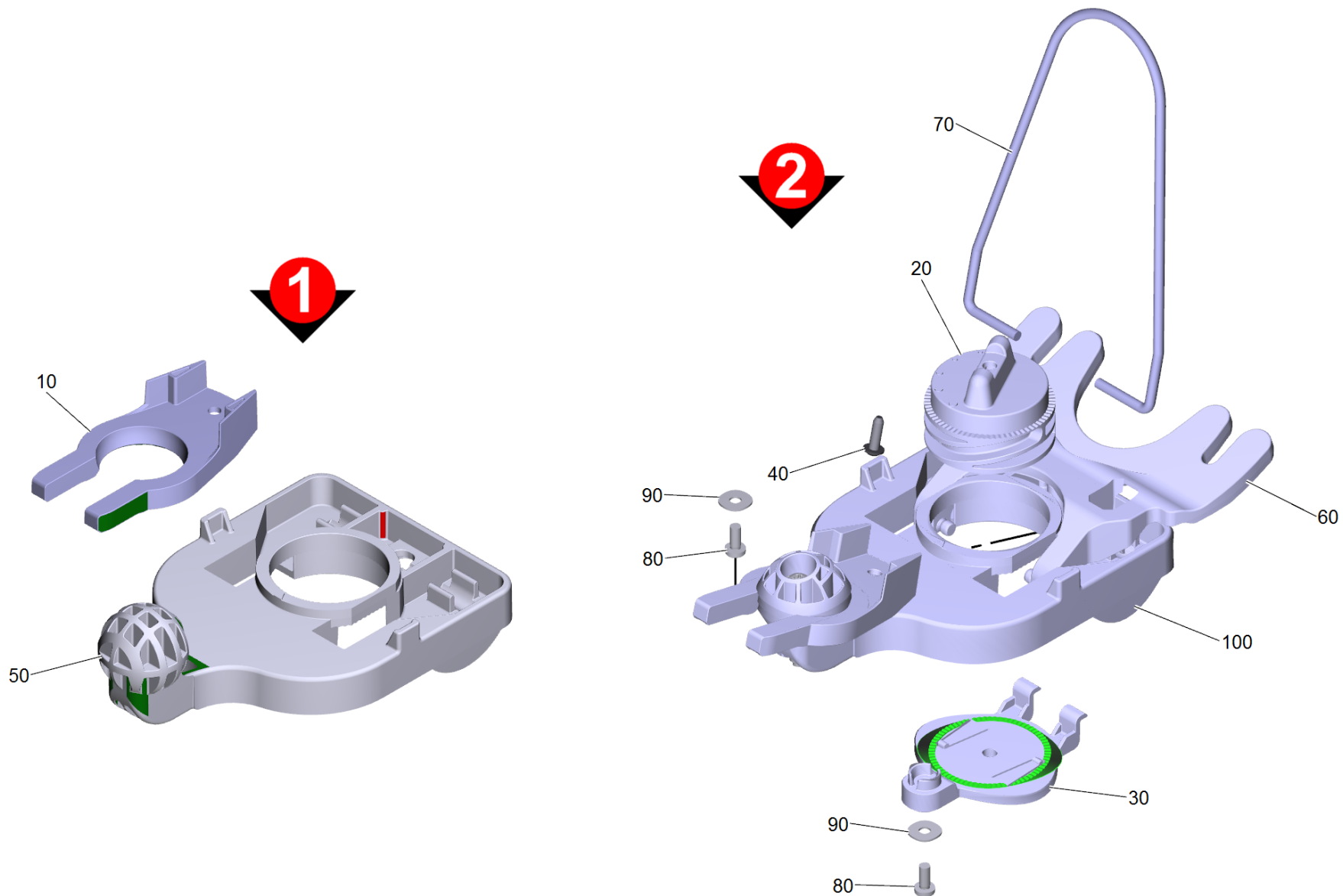
80 Covering cap rear complete

POS	Article no.	Description	Quantity	Unit
10	5.035-366.0	Covering cap	1	PC
20	5.044-661.0	Catch for cable yellow	2	PC
30	6.303-315.0	Screw 8 x 35	4	PC
40	5.035-446.0	Cover covering cap rear	1	PC
50	7.303-107.0	Screw 5x16 -10.9-P2R (K-In6Rd)	3	PC
60	4.035-612.0	Set handhold adjustment	1	PC
100	5.035-445.0	Lever suction bar	1	PC
110	5.035-453.0	Axle lever suction bar	1	PC
120	5.035-423.0	Extension spring	1	PC
130	7.312-282.0	Washer 5 -A2 ISO 7093-1	1	PC
140	7.303-107.0	Screw 5x16 -10.9-P2R (K-In6Rd)	1	PC
150	5.380-889.0	Warning sign BR-BD 750	1	PC



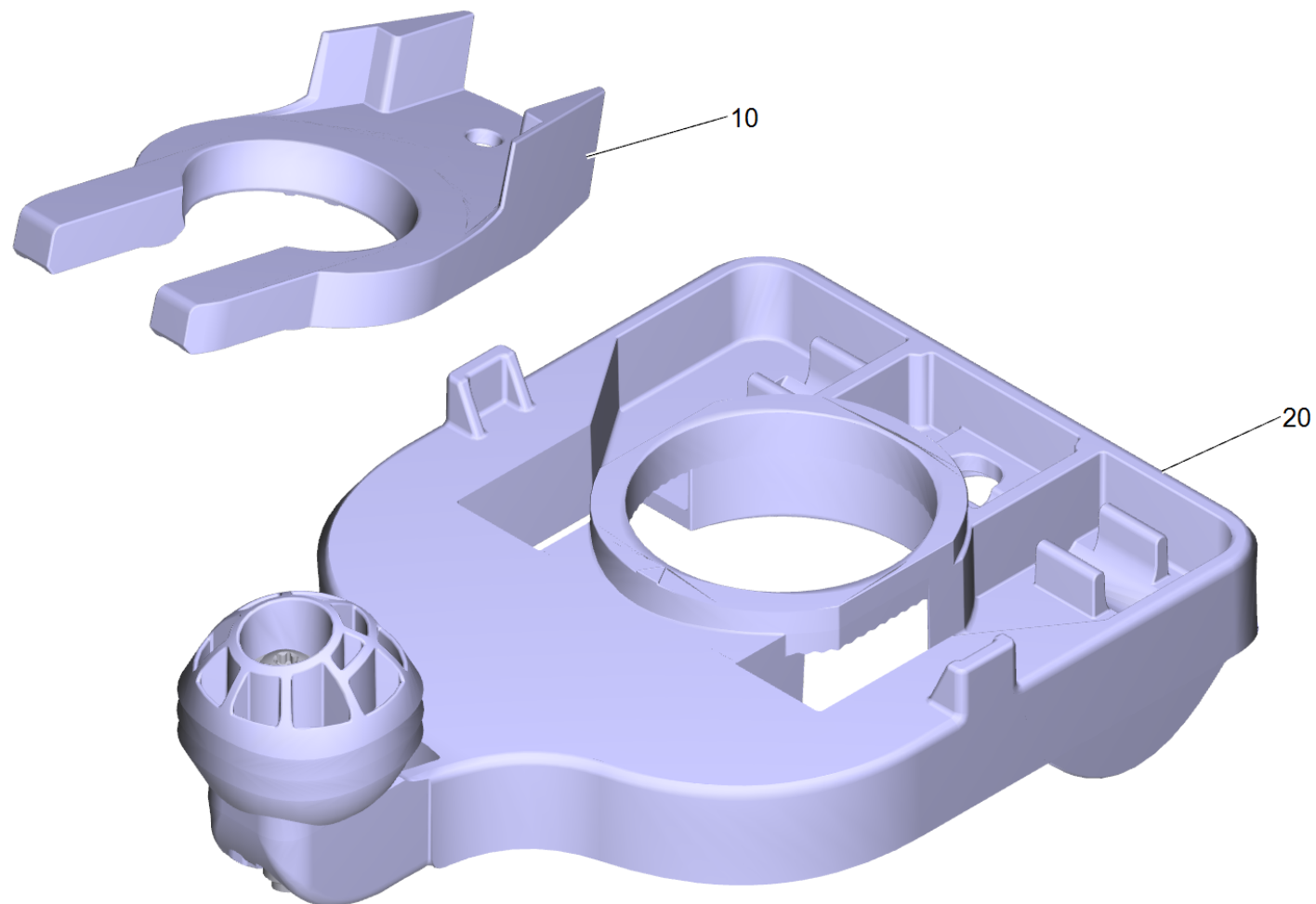
60 Set handhold adjustment (4.035-612.0)

POS	Article no.	Description	Quantity	Unit
30	7.303-128.0	Countersunk screw 5x20 -10.9-R2R (In6Rd)	1	PC
40	5.332-481.0	Helical spring	1	PC



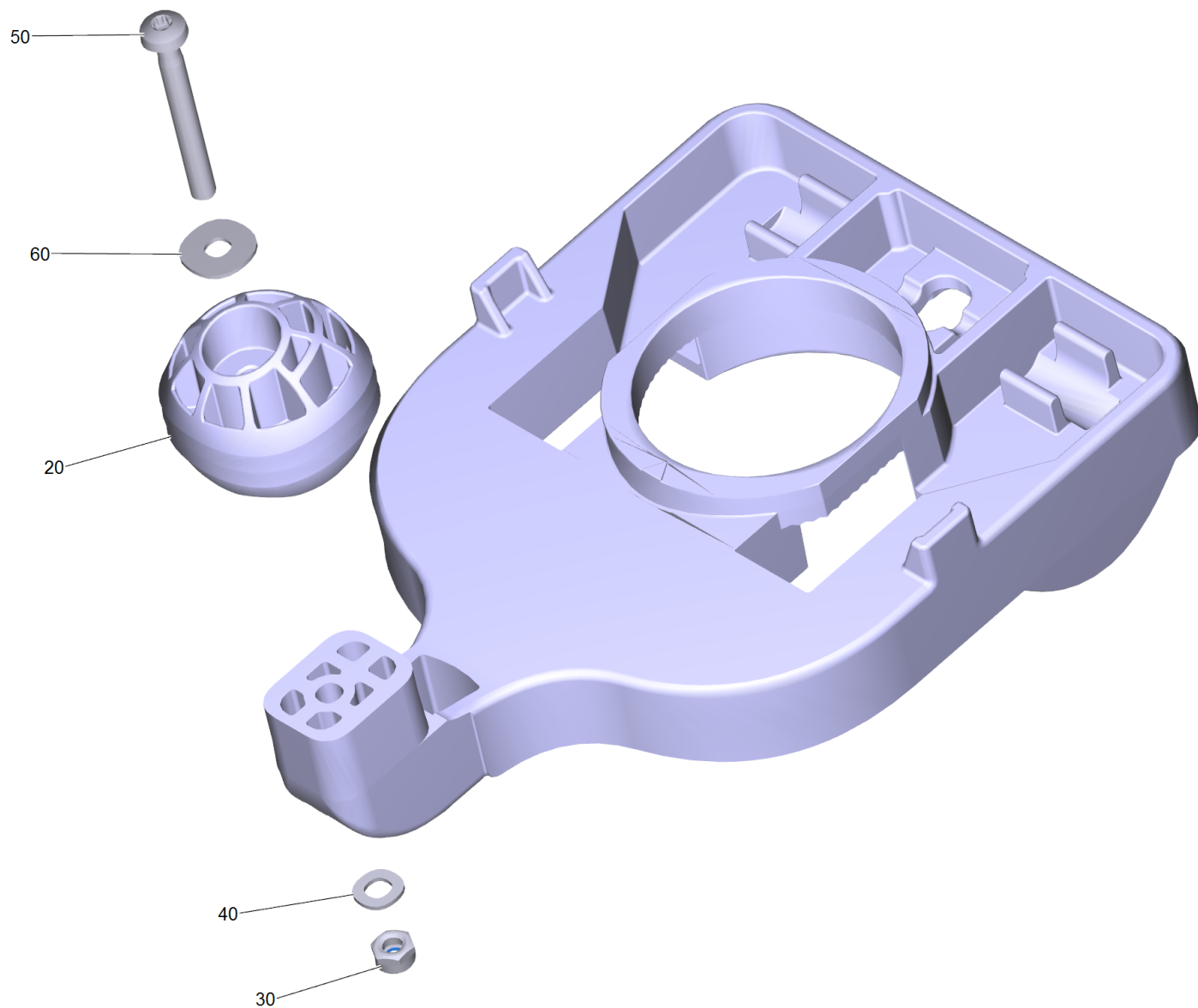
90 Suction bar lifting complete

POS	Article no.	Description	Quantity	Unit	Foot note text
10	7.777-999.0	Stockpiling discontinued	1	PC	VERSION 1
20	5.035-292.0	Adjusting knob suction bar tothing	1	PC	
30	5.035-293.0	Covering cap suction bar tothing	1	PC	
40	7.303-109.0	Screw 5x25 -10.9-R2R (In6Rd)	1	PC	
50	7.777-999.0	Stockpiling discontinued	1	PC	VERSION 1
60	5.036-103.0	Rocker suction bar	1	PC	
70	5.035-382.0	Retaining bracket suction bar	1	PC	
80	6.306-003.0	Screw M5X12-A2/70-ISO 14583 (IN6RD)	2	PC	with microencapsulation
90	7.312-282.0	Washer 5 -A2 ISO 7093-1	2	PC	
100	4.035-583.0	Holder suction bar complete	1	PC	VERSION 2



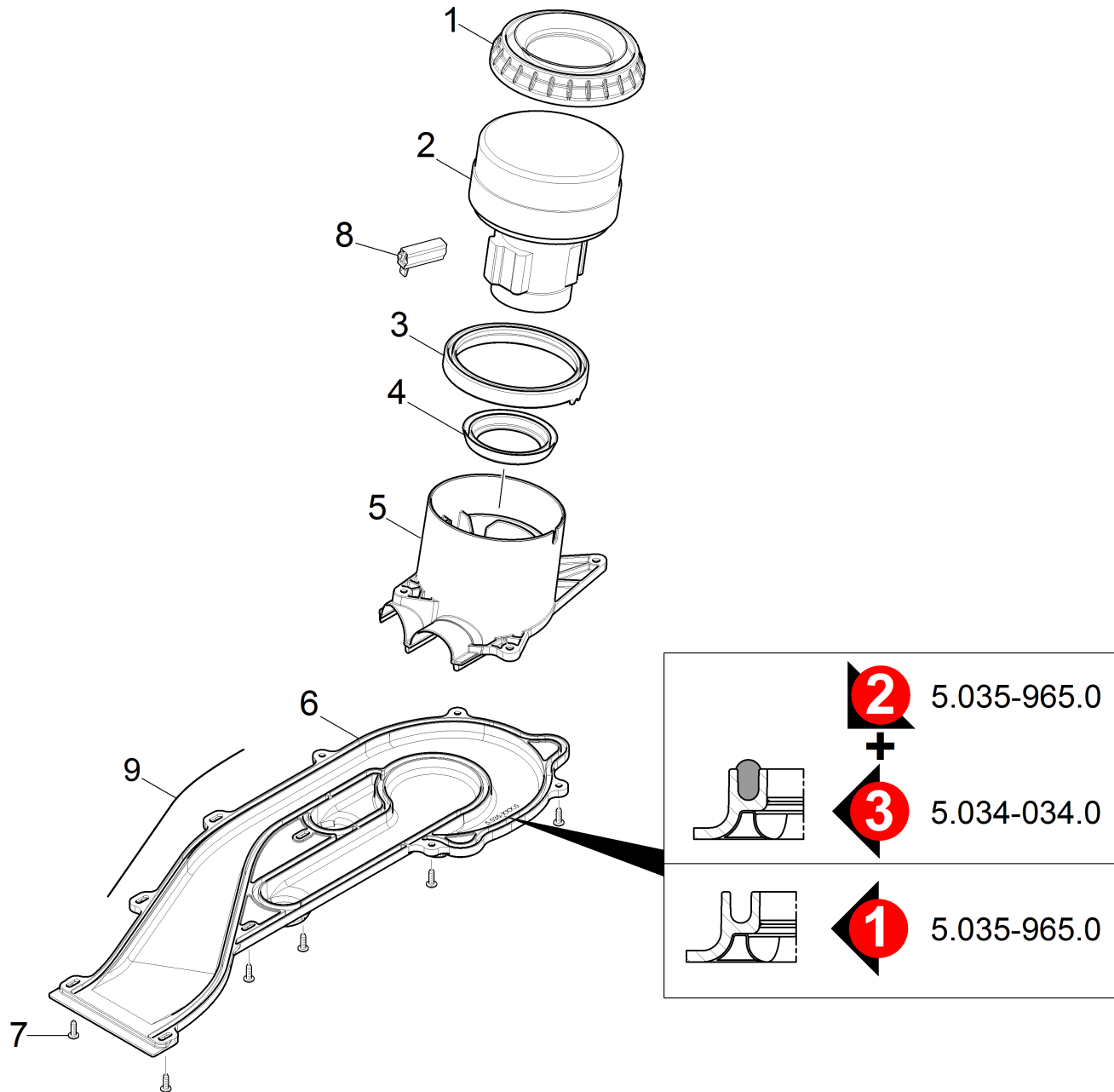
100 Holder suction bar complete (4.035-583.0)

POS	Article no.	Description	Quantity	Unit
10	5.005-005.0	FIXING PLATE SUCTION BAR ALU	1	PC
20	4.037-137.3	Holder suction bar	1	PC



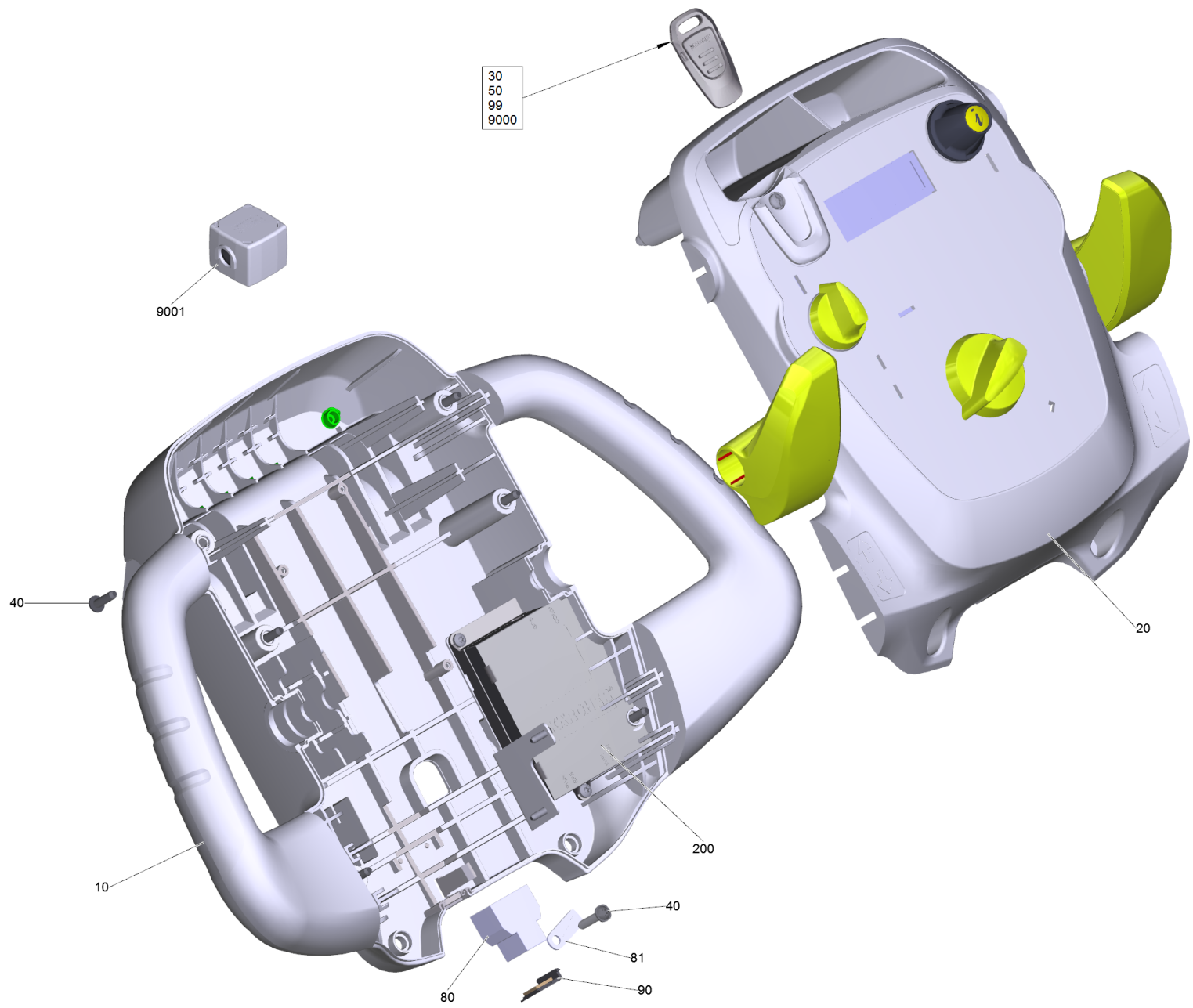
20 Holder suction bar (4.037-137.3)

POS	Article no.	Description	Quantity	Unit
20	5.037-579.0	Sphere suction bar suspension	1	PC
30	7.311-431.0	Hexagon nut M 5-1.4305 DIN 985	1	PC
40	7.312-052.0	Washer 5 -A2 ISO 7089	1	PC
50	7.306-215.0	Screw M5x45 -8.8-P2R (In6Rd)	1	PC
60	7.312-282.0	Washer 5 -A2 ISO 7093-1	1	PC



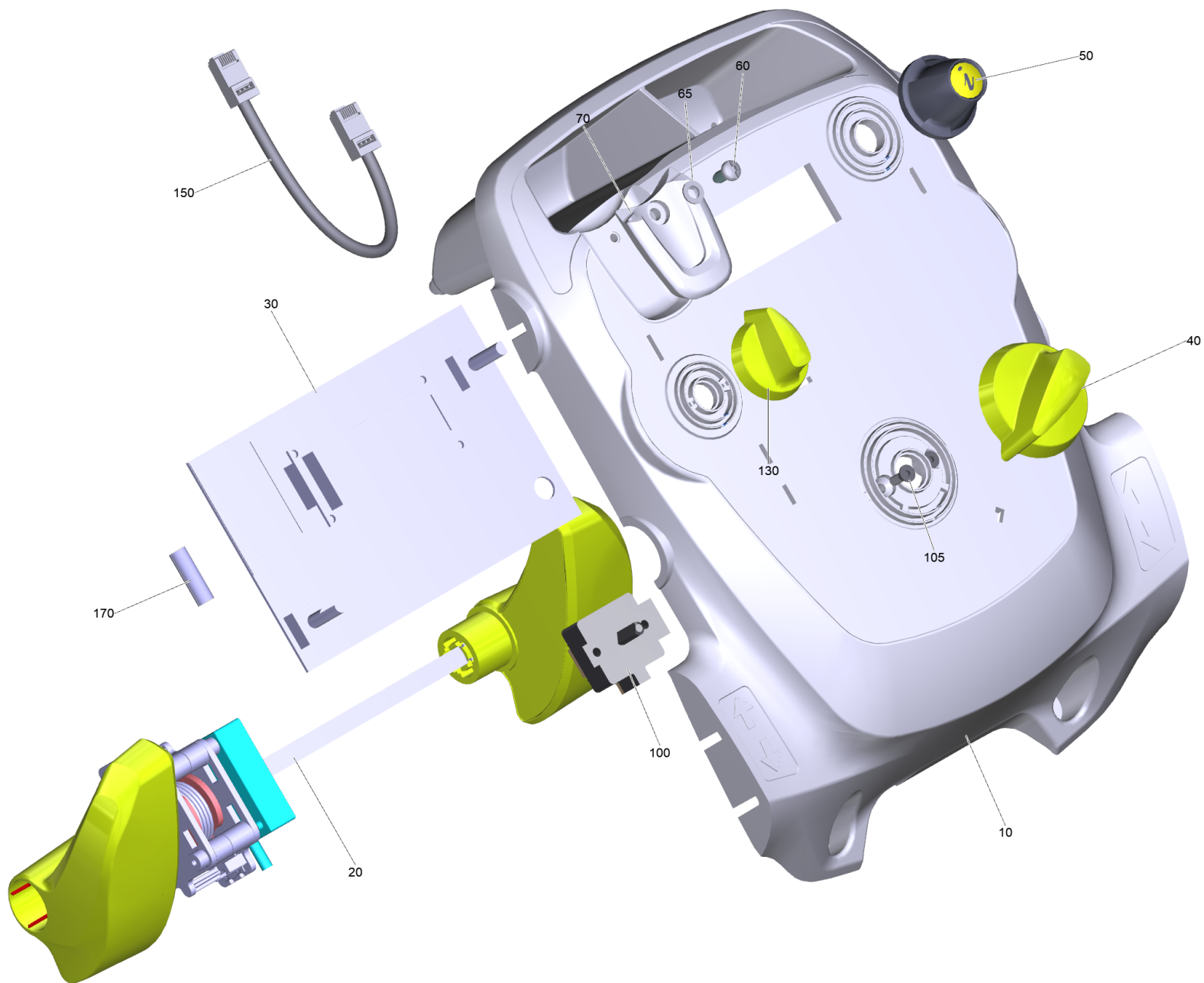
100 Vacuum motor

POS	Article no.	Description	Quantity	Unit	Remark	Foot note text
1	5.035-333.0	Bearing vacuum motor	1	PC		
2	4.035-580.0	Vacuum motor replacement	1	PC		
3	5.035-332.0	Joint ring turbine	1	PC		
4	5.363-395.0	Seal	1	PC		
5	5.034-032.0	Air circulation turbine bottom	1	PC		VERSION 2
5	5.035-964.0	Air circulation bottom turbine	1	PC		VERSION 1
6	4.034-009.0	Air circulation turbine replacement	1	PC		VERSION 2
6	5.034-034.0	Air circulation turbine above foamed	1	PC		VERSION 3
6	7.777-999.0	Stockpiling discontinued	1	PC		VERSION 1
7	7.303-107.0	Screw 5x16 -10.9-P2R (K-In6Rd)	8	PC		
8	6.490-011.0	Carbon brush set	1	PC	24 V	
9	6.273-196.0	Seal string cellular rubber	1	m		TO ORDER AS CUT GOODS



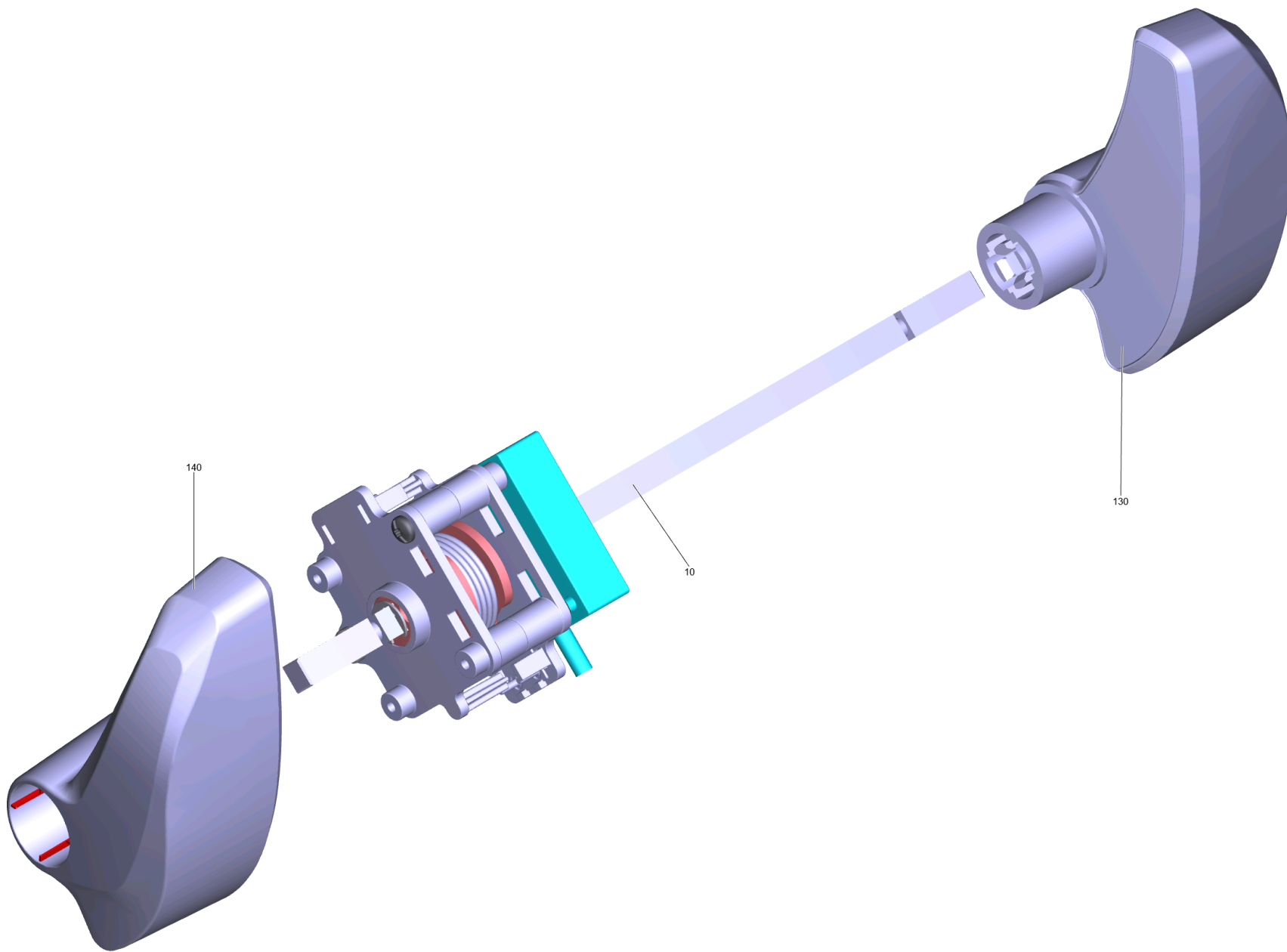
20 Control panel complete 40W Bp Fleet NA

POS	Article no.	Description	Quantity	Unit	Foot note text
10	5.035-219.0	Housing bottom part control panel	1	PC	
20		Covering cap control panel complete BAT	1	PC	
30	5.035-344.0	Key yellow KIK	1	PC	
40	7.303-108.0	Screw 5x20 -10.9-R2R (In6Rd)	7	PC	
50	5.035-348.0	Key grey KIK	1	PC	
60	4.822-986.0	False group cable harness overview B40/60/80/120	1	PC	
80	6.330-111.0	Adapter RJ45 Y-Splitter	1	PC	
81	5.035-196.0	Plate stiffener	1	PC	VERSION 2
90	5.033-829.0	Rubber stopper control panel	1	PC	
99	5.035-337.0	Key red KIK	1	PC	
200	2.644-104.0	KAERCHER reversion kit Fleet NA* B40-B120 CAN	1	PC	
200		KAERCHER Fleet services B40-120CAN NA	1	PC	
997	4.035-064.0	Set key white KIK	1	PC	SET WITH 5 PIECES
997	4.035-076.0	Key white KIK	1	PC	
9000	4.683-311.3	Circuit board replacement W	1	PC	



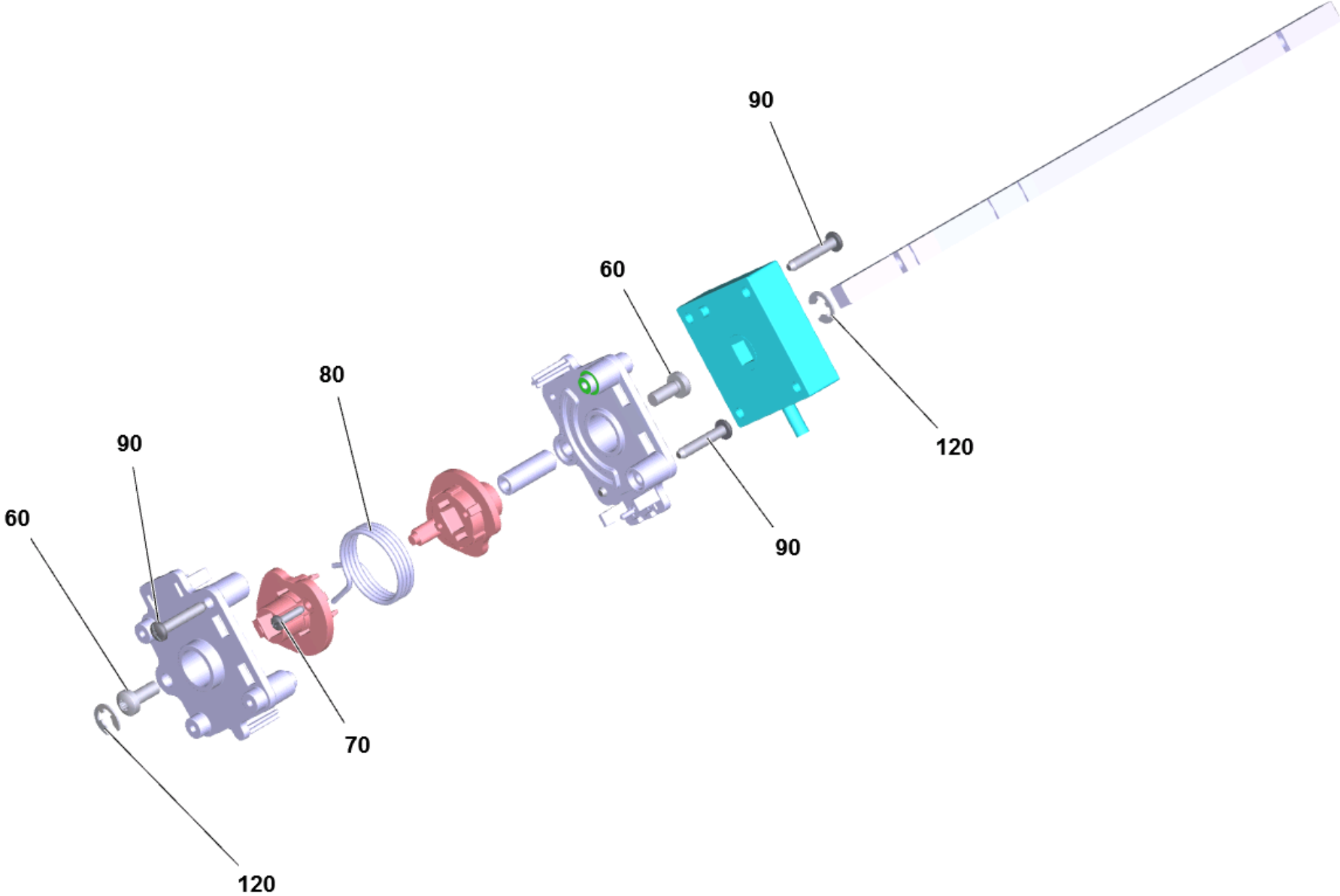
20 Covering cap control panel complete BAT

POS	Article no.	Description	Quantity	Unit	Foot note text
10	4.035-118.0	Covering cap control panel replacement B	1	PC	WITH SLOT FOR 5.033-829.0
10	4.035-413.0	Covering cap control panel foil Bp W	1	PC	WITHOUT SLOT FOR 5.033-829.0
20	4.035-000.0	Tachograph complete	1	PC	
30	4.683-311.3	Circuit board replacement W	1	PC	
40	4.035-608.0	Handhold operational concept complete	1	PC	
50	5.321-750.0	Handhold info panel	1	PC	
60	7.303-274.0	Screw 5x12 -A2-70 (In6Rd)	1	PC	
65	7.312-052.0	Washer 5 -A2 ISO 7089	1	PC	
70	5.035-343.0	Guide key	1	PC	
100	4.035-415.0	Switch program selection replacement	1	PC	
105	7.305-036.0	Countersunk screw M4x12 -A2-70-s (IN6RD	2	PC	
130	5.035-437.0	Rotary controller	1	PC	
150	6.649-933.0	Cable Patch	1	PC	
170	6.388-958.0	Hose	1	m	TO ORDER AS CUT GOODS



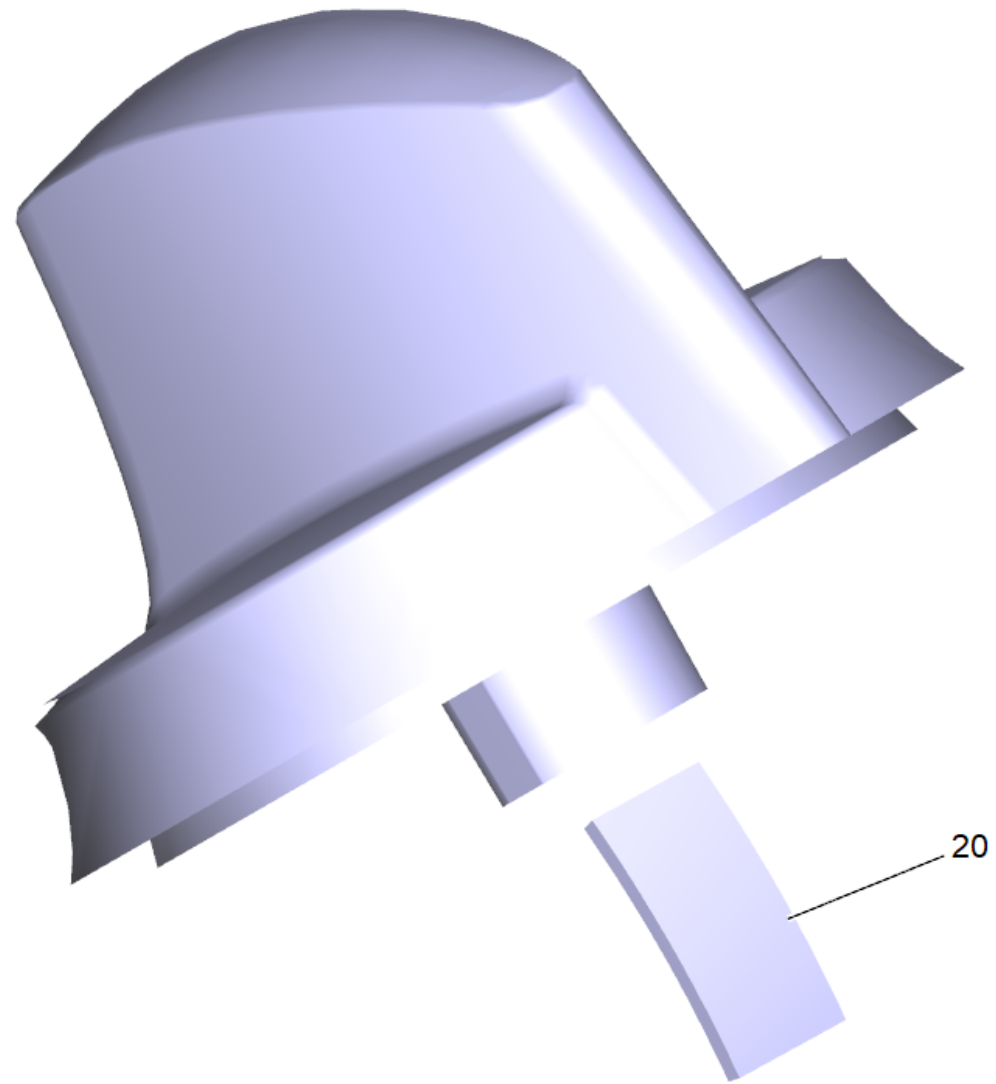
20 Tachograph complete (4.035-000.0)

POS	Article no.	Description	Quantity	Unit
10	4.035-002.0	Tachograph set	1	PC
130	4.035-495.0	Tachograph right complete	1	PC
140	4.035-496.0	Tachograph left complete	1	PC



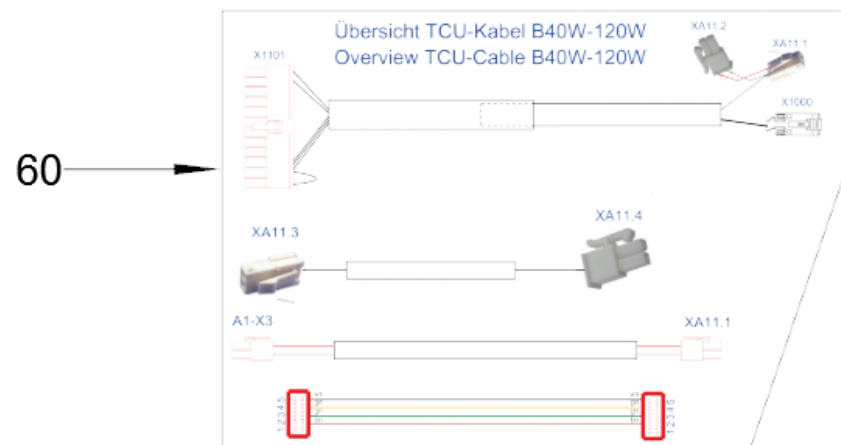
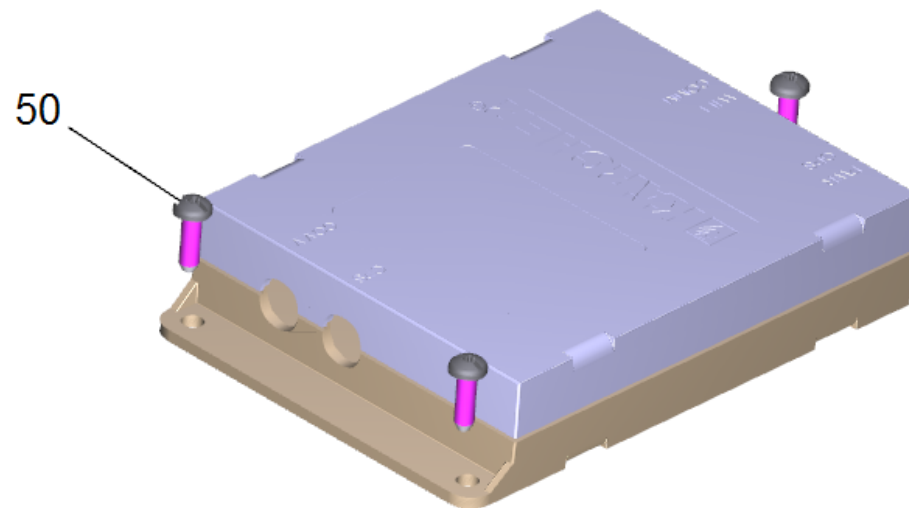
10 Tachograph set (4.035-002.0)

POS	Article no.	Description	Quantity	Unit
60	7.306-394.0	Screw M5x12 -8.8-ZNBHL ISO 14583	2	PC
70	6.303-557.0	Screw 3x12 Kombitorx T8	2	PC
80	6.330-441.0	Torsion spring tachograph	1	PC
90	7.303-096.0	Screw 4x22-ST-10.9-R2R (IN6RD)	4	PC
120	7.343-201.0	Lock washer 6-FST-PHR DIN 6799	2	PC



40 Handhold operational concept complete (4.035-608.0)

POS	Article no.	Description	Quantity	Unit
20	6.313-014.0	Spring element	1	PC

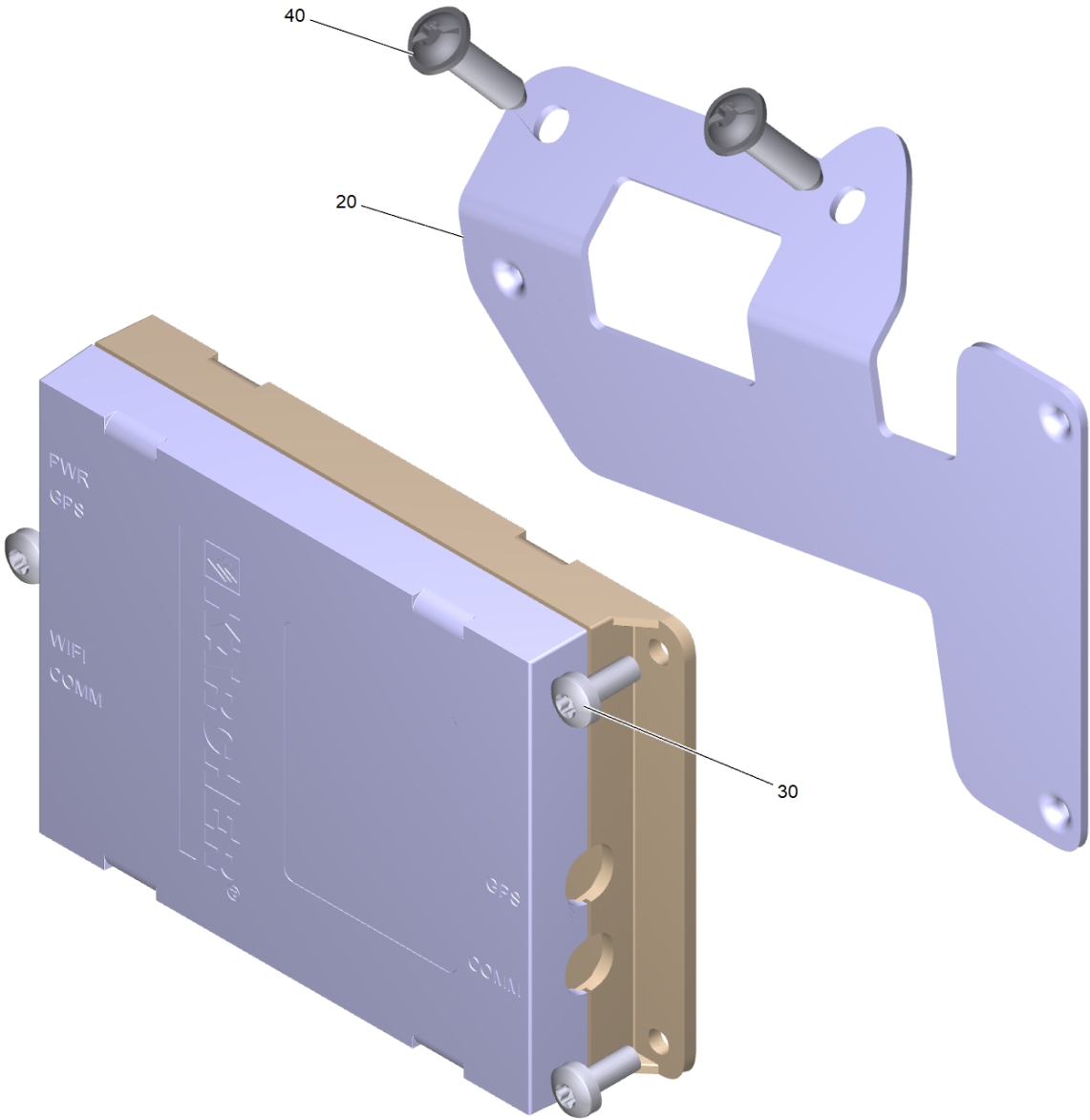


200 KAERCHER reversion kit Fleet NA* B40-B120 CAN (2.644-104.0)

POS	Article no.	Description	Quantity	Unit
10	2.644-214.0	Kaercher Fleet services B110R NA	1	PC
50	7.303-102.0	Screw 3,5x12 -A2-70-bk (In6Rd)	3	PC
60	4.822-986.0	False group cable harness overview B40/60/80/120	1	PC

10 Kaercher Fleet services B110R NA (2.644-214.0)

POS	Description	Quantity	Unit
10	Kaercher Fleet services B110R NA	1	PC



10 Kaercher Fleet services B110R NA

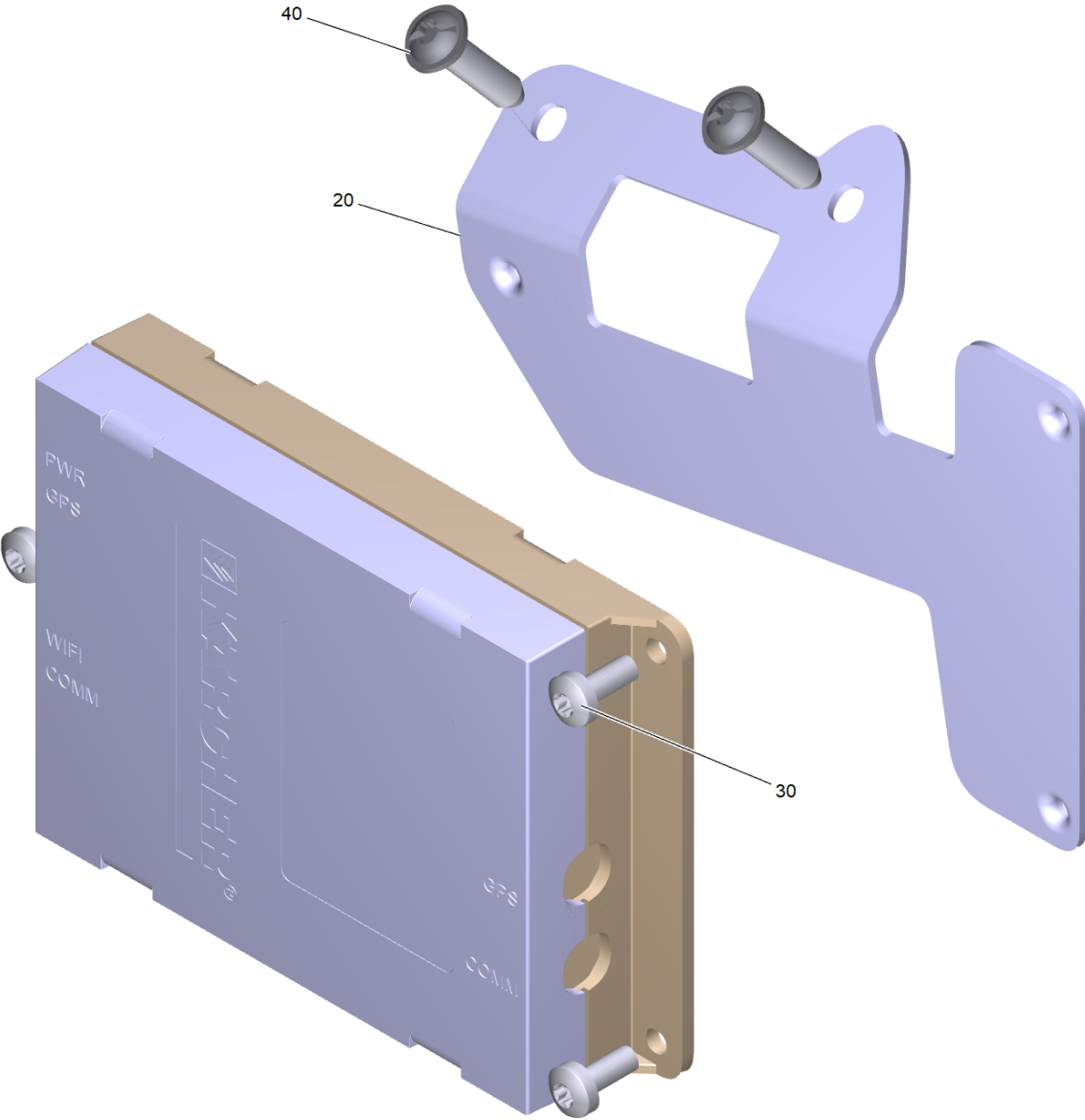
POS	Article no.	Description	Quantity	Unit
20	5.039-431.0	Retaining plate fleet management module B110	1	PC
30	7.306-206.0	Screw M4x10 -A2-70 ISO 14583	3	PC
40	7.303-108.0	Screw 5x20 -10.9-R2R (In6Rd)	2	PC

200 KAERCHER Fleet services B40-120CAN NA

POS	Article no.	Description	Quantity	Unit
10	2.644-214.0	Kaercher Fleet services B110R NA	1	PC
50	7.303-102.0	Screw 3,5x12 -A2-70-bk (In6Rd)	3	PC
60	4.822-986.0	False group cable harness overview B40/60/80/120	1	PC

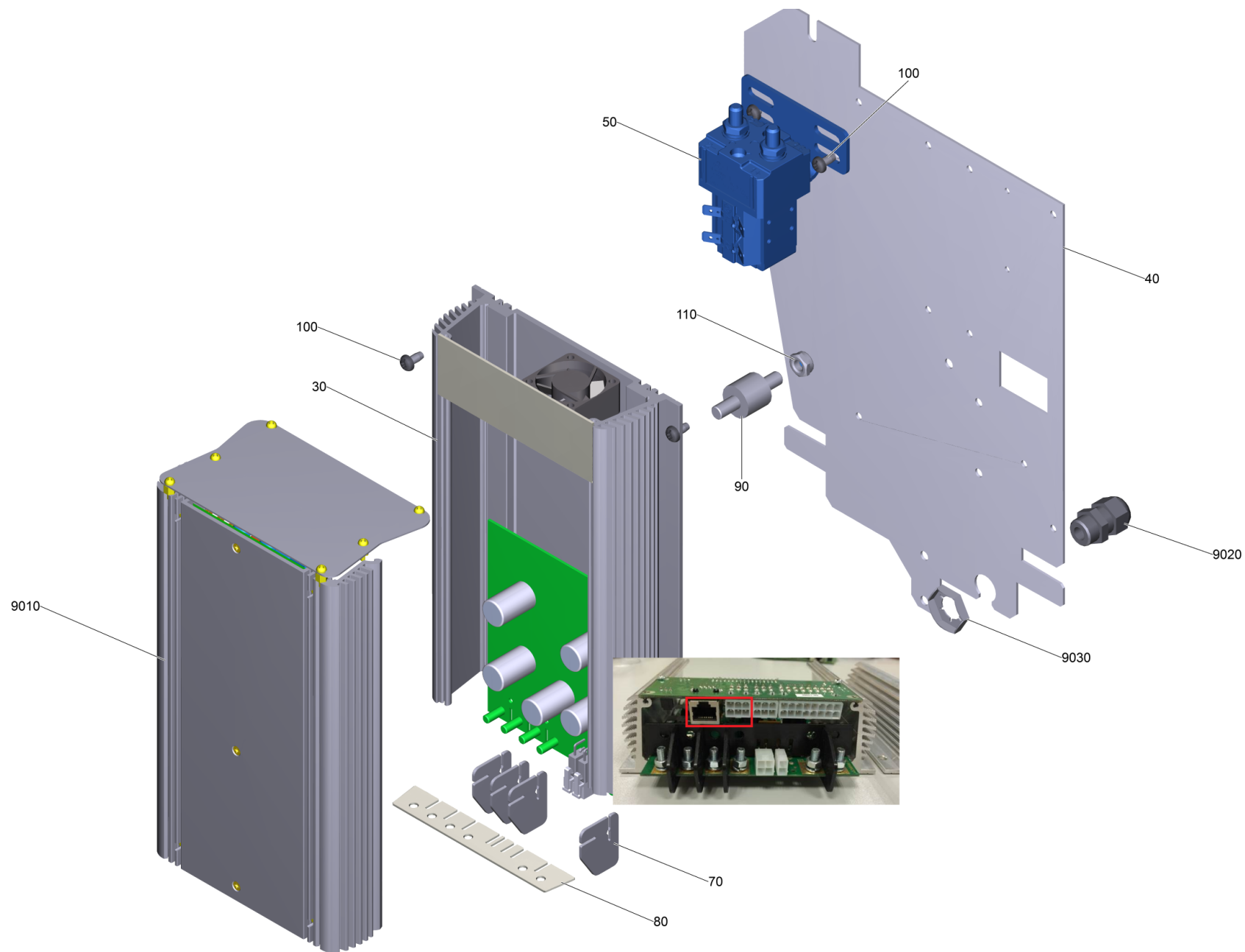
10 Kaercher Fleet services B110R NA (2.644-214.0)

POS	Description	Quantity	Unit
10	Kaercher Fleet services B110R NA	1	PC

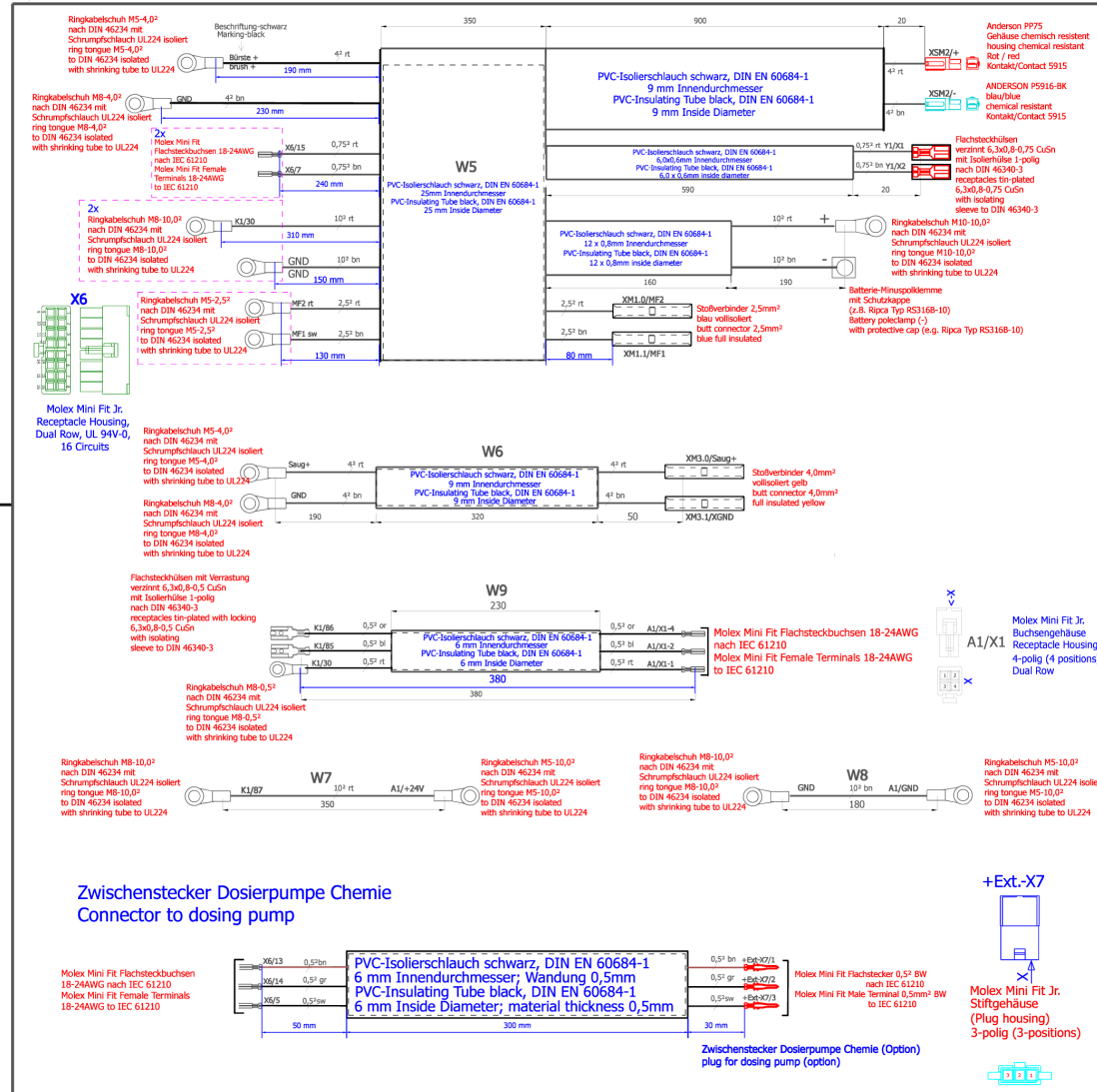


10 Kaercher Fleet services B110R NA

POS	Article no.	Description	Quantity	Unit
20	5.039-431.0	Retaining plate fleet management module B110	1	PC
30	7.306-206.0	Screw M4x10 -A2-70 ISO 14583	3	PC
40	7.303-108.0	Screw 5x20 -10.9-R2R (In6Rd)	2	PC

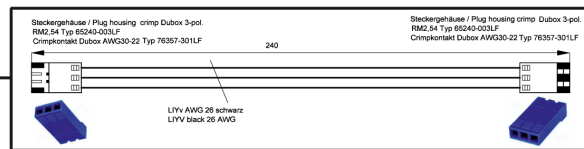


40 Electric equipment B40 W Bp Dose



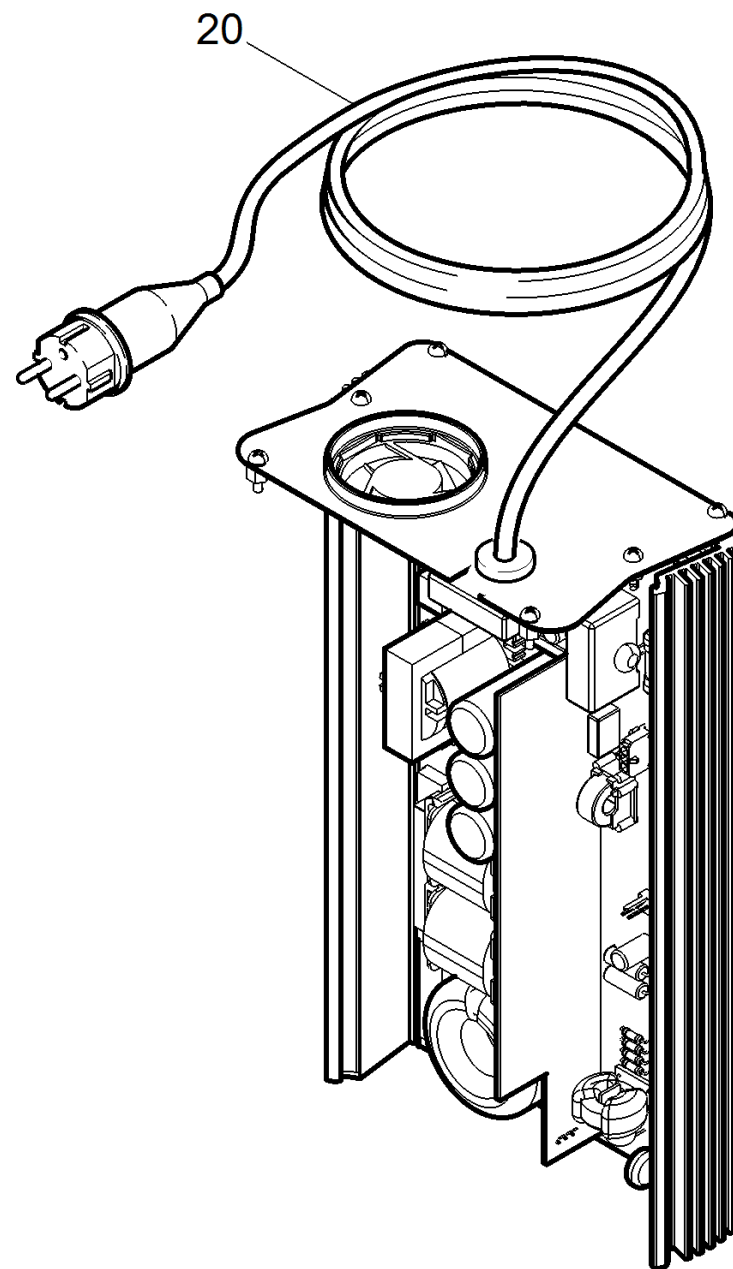
10

9000



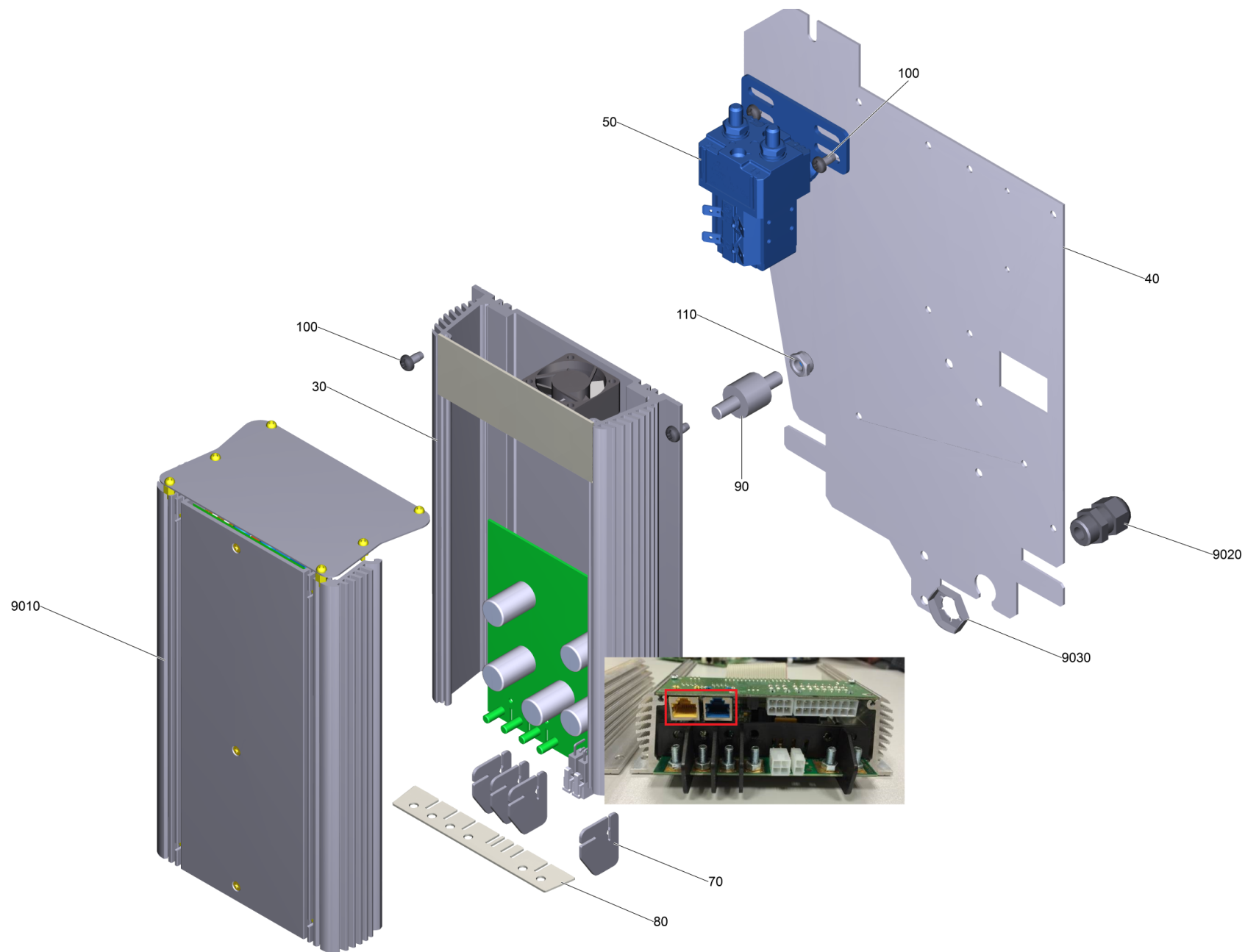
40 Electric equipment B40 W Bp Dose

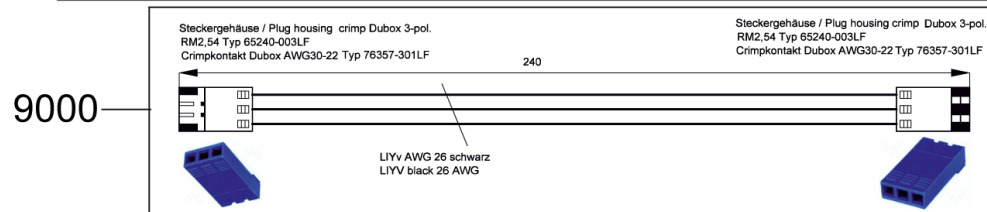
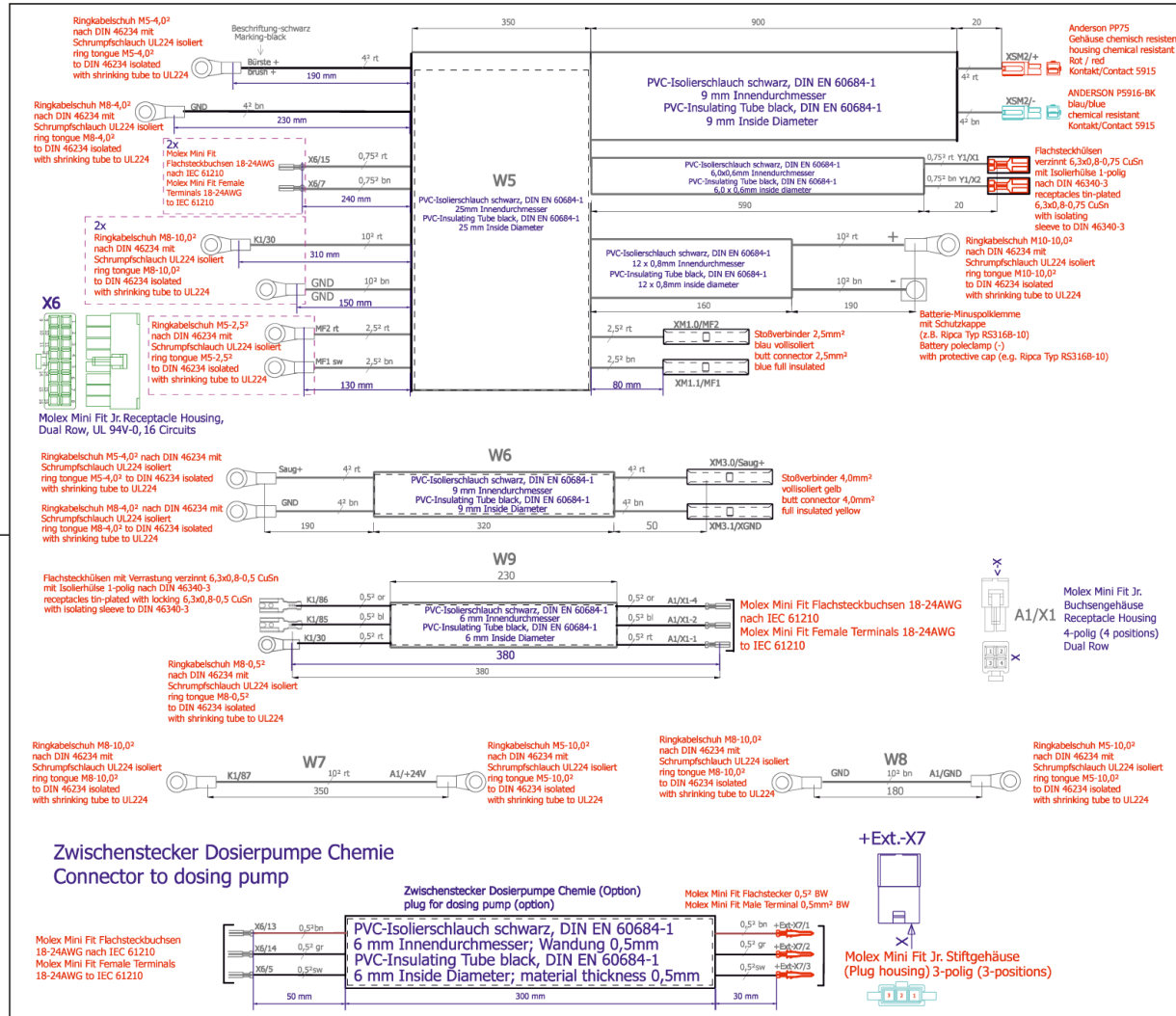
POS	Article no.	Description	Quantity	Unit
10	4.822-900.0	Cable harness B40 W	1	PC
30	6.683-118.0	Electronics control system replacement B	1	PC
40	5.035-449.0	Plate base plate electronics	1	PC
50	6.633-044.0	Relay 120A	1	PC
70	5.035-359.0	Moulded part plate electronics klein	4	PC
80	5.035-362.0	Moulded part plate electronics	1	PC
90	6.652-033.0	Isolator	1	PC
100	7.303-037.0	Screw M5x10 -St-P2R (In6Rd)	6	PC
110	7.311-427.0	Hexagon nut M8 -04-A2E DIN 985	1	PC
120	6.648-399.0	Cable gland black M16x1,5	1	PC
130	7.777-999.0	Stockpiling discontinued	1	PC
9000	6.645-554.0	Connecting cable control system battery charger	1	PC
9010	6.654-337.0	Battery charger replacement B 40 Japan	1	PC
9010	6.683-119.0	Battery charger replacement B 40 *EU	1	PC
9020	6.648-399.0	Cable gland black M16x1,5	1	PC
9030	7.777-999.0	Stockpiling discontinued	1	PC



9010 Battery charger replacement B 40 *EU (6.683-119.0)

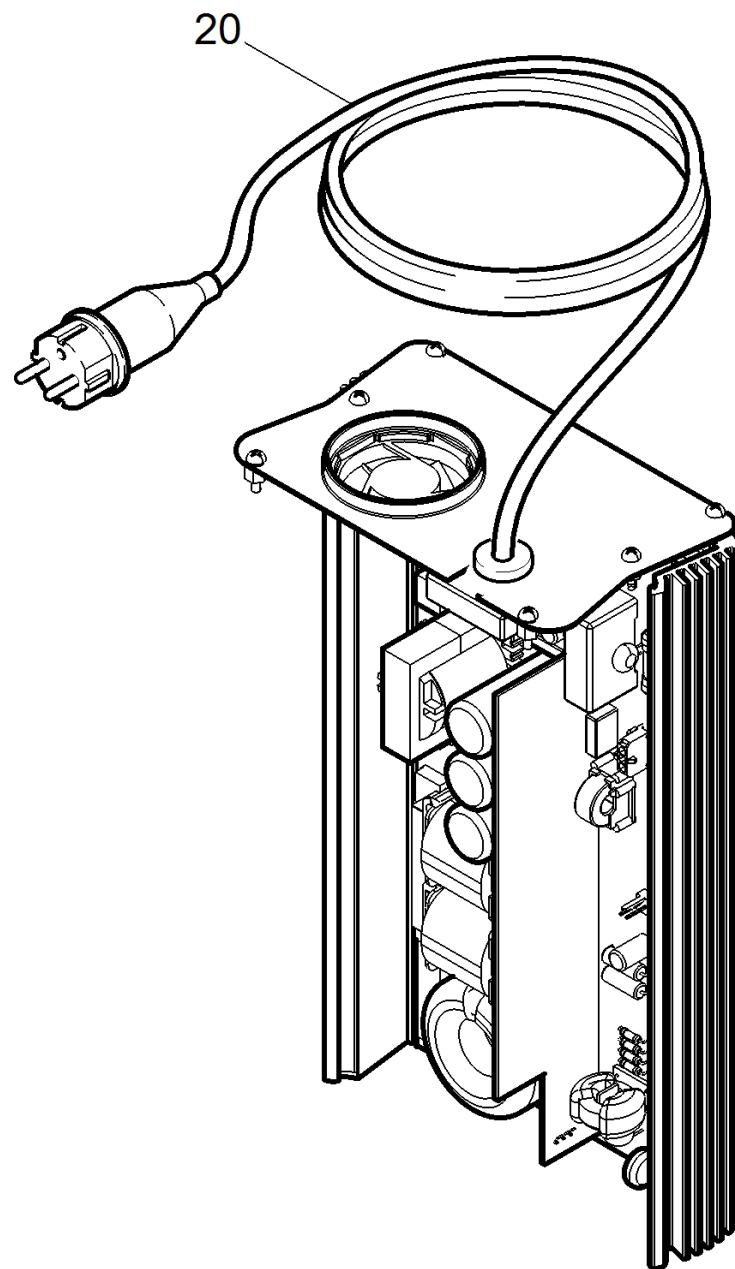
POS	Article no.	Description	Quantity	Unit	Remark
20	6.645-553.0	Cable with plug	1	PC	*EU
20	6.645-586.0	Cable with plug B40-USA	1	PC	*US





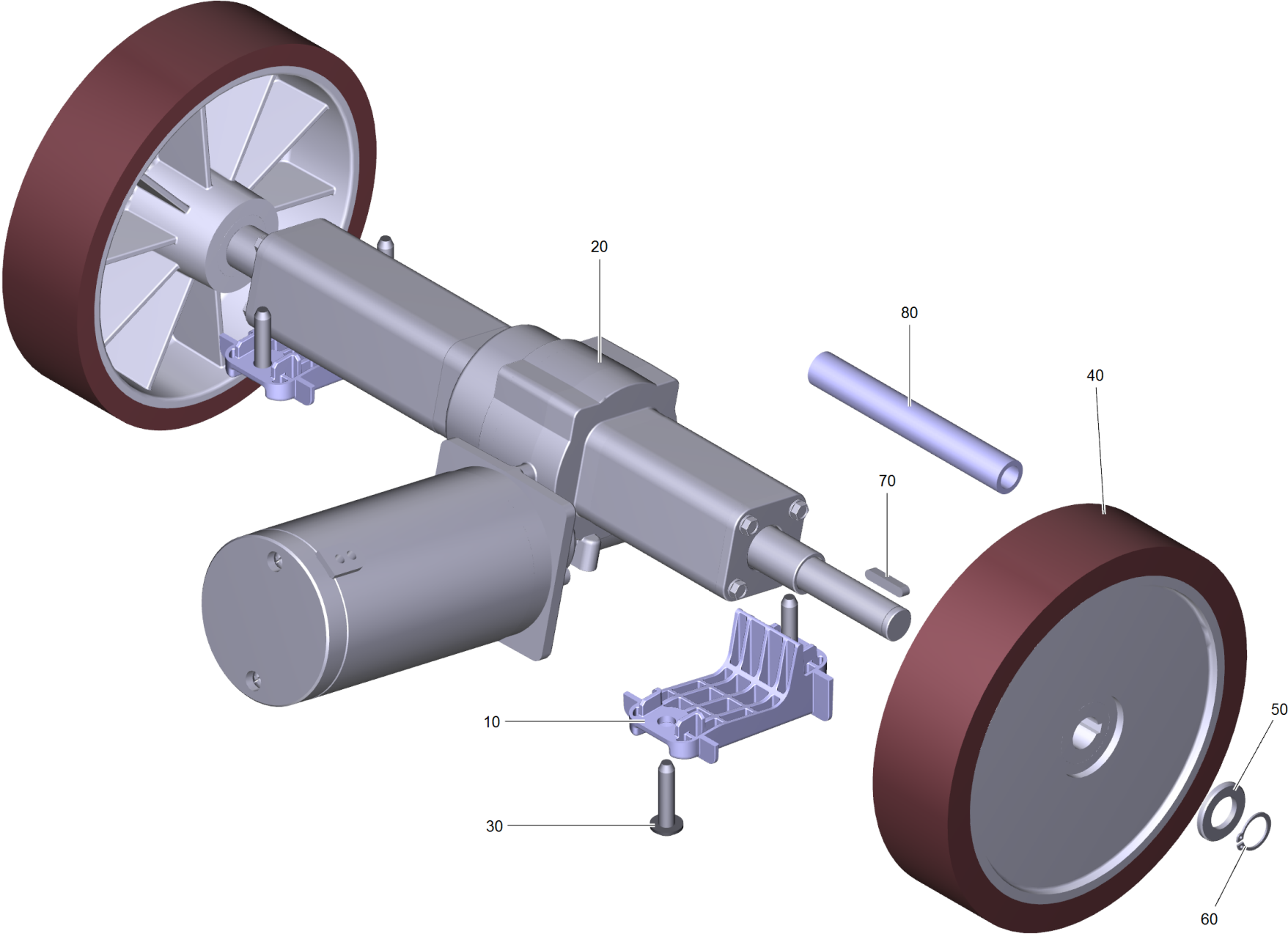
40 Electric equipment B 40 W Bp Dose US Can

POS	Article no.	Description	Quantity	Unit
10	4.822-900.0	Cable harness B40 W	1	PC
30	4.683-075.0	Electronics control system replacement B	1	PC
40	5.035-449.0	Plate base plate electronics	1	PC
50	4.633-110.0	Relay replacement set	1	PC
70	5.035-359.0	Moulded part plate electronics klein	4	PC
80	5.035-362.0	Moulded part plate electronics	1	PC
90	6.652-033.0	Isolator	1	PC
100	7.303-037.0	Screw M5x10 -St-P2R (In6Rd)	6	PC
110	7.311-427.0	Hexagon nut M8 -04-A2E DIN 985	1	PC
9000	6.645-554.0	Connecting cable control system battery charger	1	PC
9010	6.683-119.0	Battery charger replacement B 40 *EU	1	PC
9020	6.648-399.0	Cable gland black M16x1,5	1	PC
9030	7.777-999.0	Stockpiling discontinued	1	PC



9010 Battery charger replacement B 40 *EU (6.683-119.0)

POS	Article no.	Description	Quantity	Unit	Remark
20	6.645-553.0	Cable with plug	1	PC	*EU
20	6.645-586.0	Cable with plug B40-USA	1	PC	*US

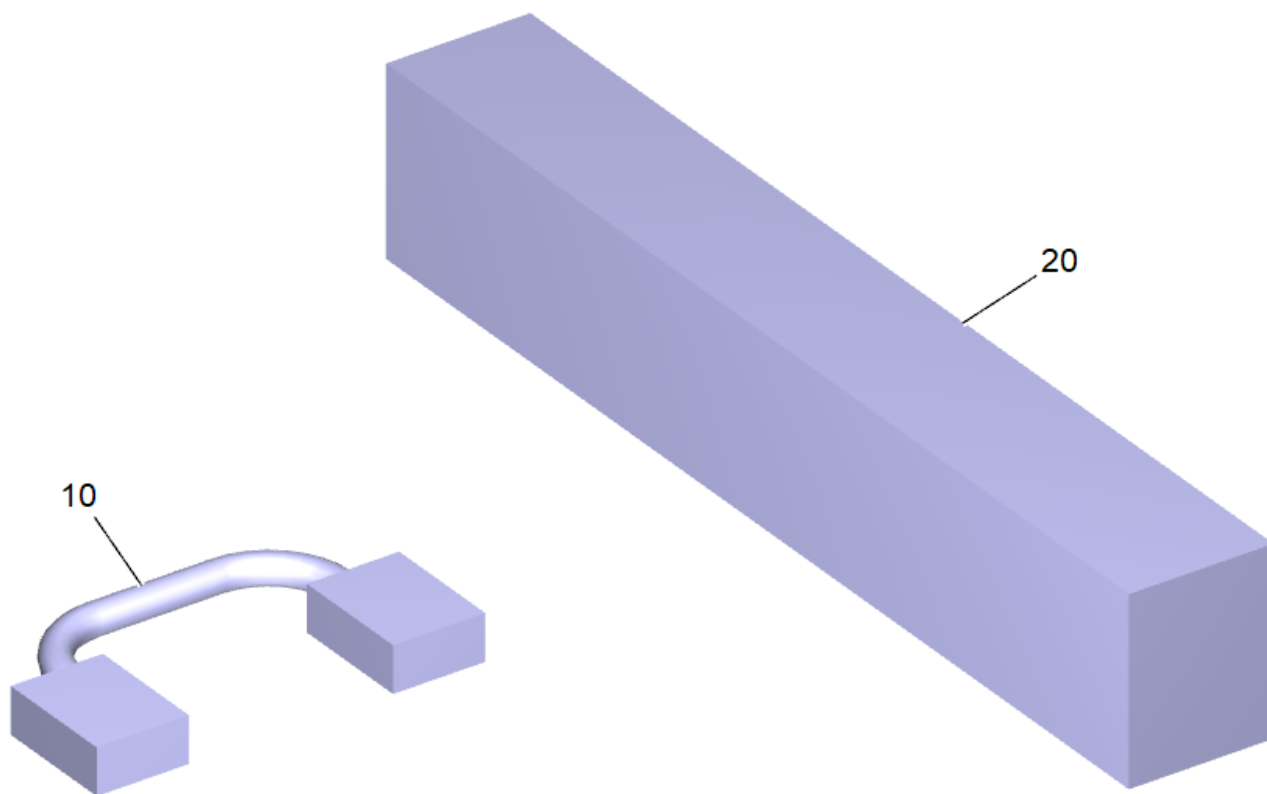


70 Gear complete B 40 W

POS	Article no.	Description	Quantity	Unit	Foot note text
10	5.035-351.0	Holder wheel drive motor	2	PC	
20	6.613-512.3	Wheel drive motor B40W	1	PC	
30	6.303-315.0	Screw 8 x 35	4	PC	
40	6.035-055.0	Wheel transmission conductive D200x50	2	PC	CHANGE BOTH WHEELS!
50	7.312-057.0	Washer 16 -A2 ISO 7089	2	PC	
60	7.343-029.0	Locking ring 17x1-FST-RF DIN 471	2	PC	
70	7.318-009.0	Parallel key 5x5x40-C45K DIN 6885	2	PC	
80	6.642-011.0	Insulating hose 10	1	m	TO ORDER AS CUT GOODS

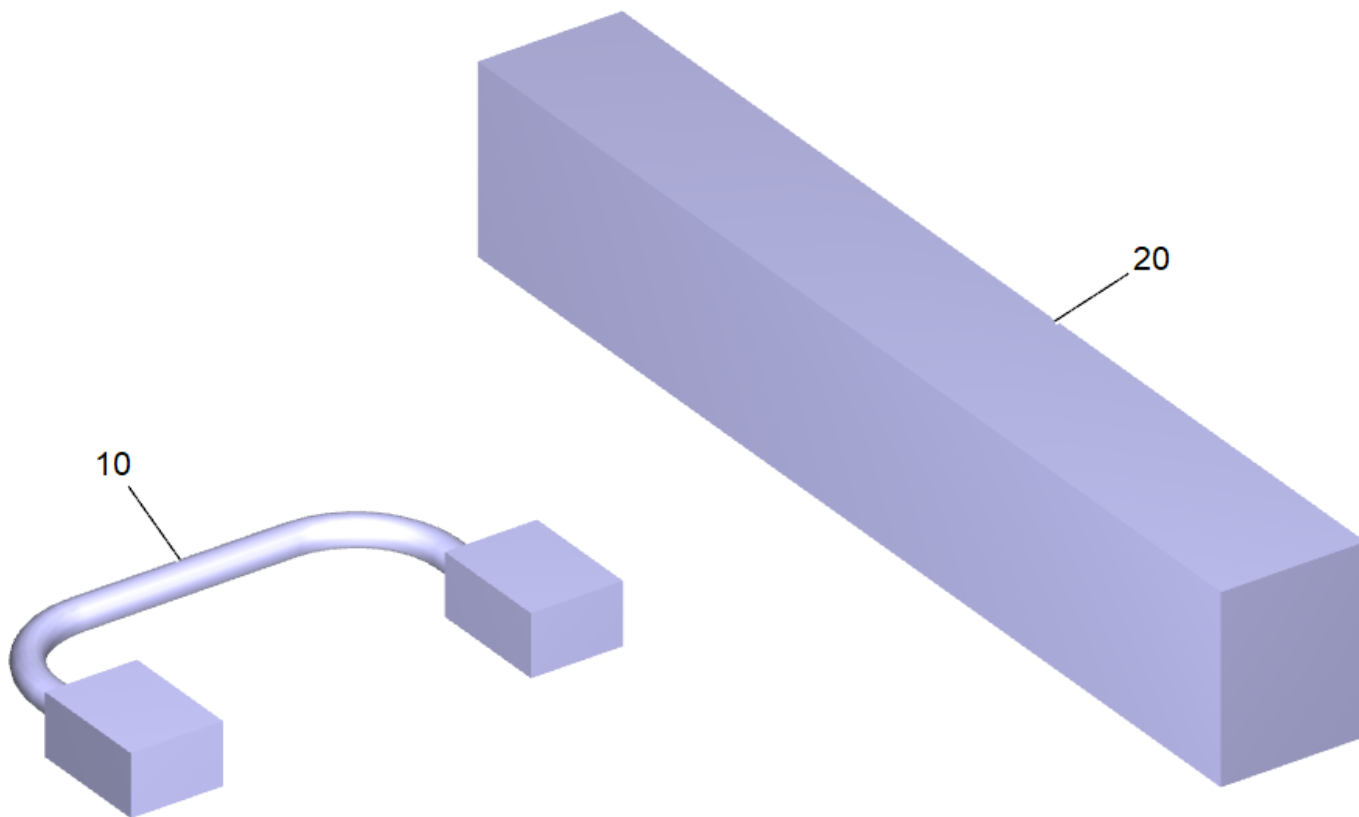
20 Wheel drive motor B40W (6.613-512.3)

POS	Article no.	Description	Quantity	Unit
10	6.490-069.0	Carbon brush set	1	PC



9523 Mounting kit battery kit (2.638-036.0)

POS	Article no.	Description	Quantity	Unit
10	6.649-879.0	Cable battery 25 mm ² . 160 mm	1	PC
20	5.642-021.0	Distance holder battery	1	PC

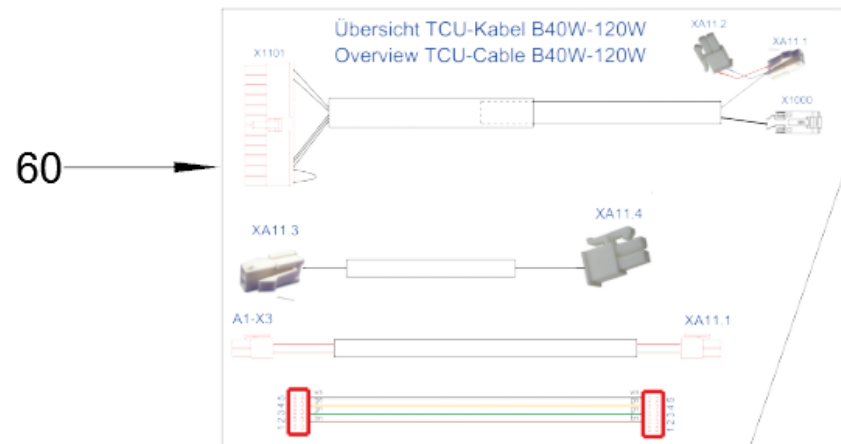
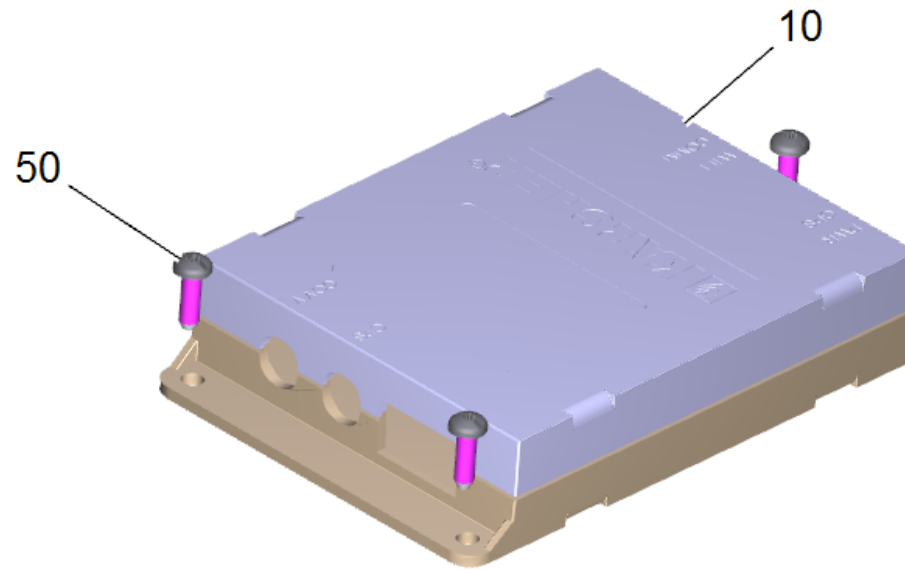


9531 Mounting kit battery kit (2.638-059.0)

POS	Article no.	Description	Quantity	Unit
10	6.649-601.0	Cable battery short Hoppecke	1	PC
20	5.642-021.0	Distance holder battery	1	PC

160 Retrofit kit Fleet TCU

POS	Article no.	Description	Quantity	Unit	Foot note text
10	2.644-094.0	KAERCHER reversion kit Fleet Services EU* B40-B120 CAN	1	PC	
10	2.644-104.0	KAERCHER reversion kit Fleet NA* B40-B120 CAN	1	PC	
20	2.643-776.0	Retrofit kit adapter RJ45 Y-Splitt CAN	1	PC	FOR CONTROL PANEL WITHOUT CAN
30	2.643-348.0	KAERCHER reversion kit Fleet Services B40-80 EU	1	PC	WITHOUT CAN - CONNECTION
30	2.644-093.0	KAERCHER reversion kit Fleet EU* Services B40-80	1	PC	
30	2.644-103.0	KAERCHER reversion kit Fleet NA* Services B40-80	1	PC	

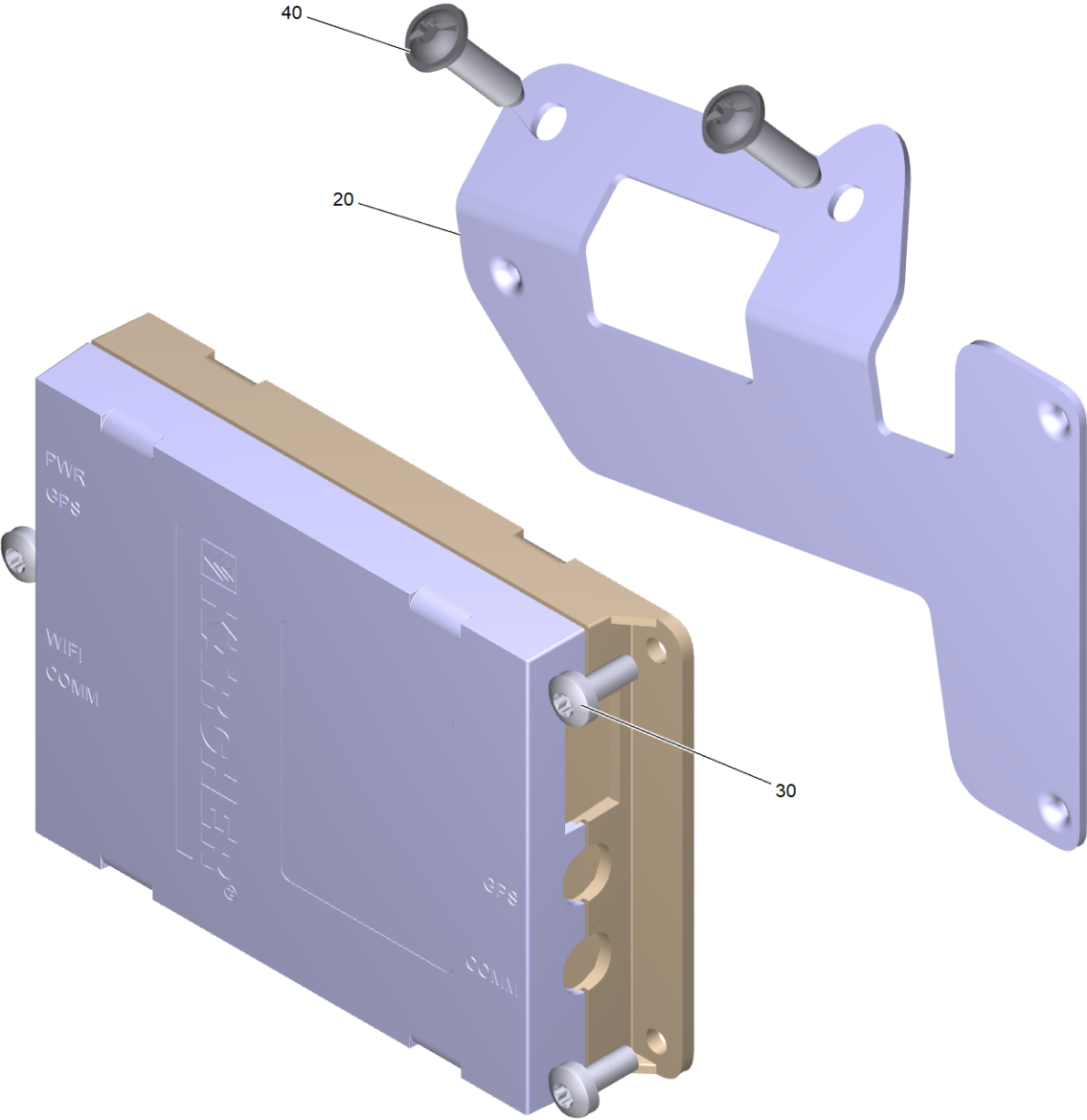


10 KAERCHER reversion kit Fleet Services EU* B40-B120 CAN (2.644-094.0)

POS	Article no.	Description	Quantity	Unit
10	2.644-213.0	Kaercher Fleet services B110R	1	PC
50	7.303-102.0	Screw 3,5x12 -A2-70-bk (In6Rd)	3	PC
60	4.822-986.0	False group cable harness overview B40/60/80/120	1	PC

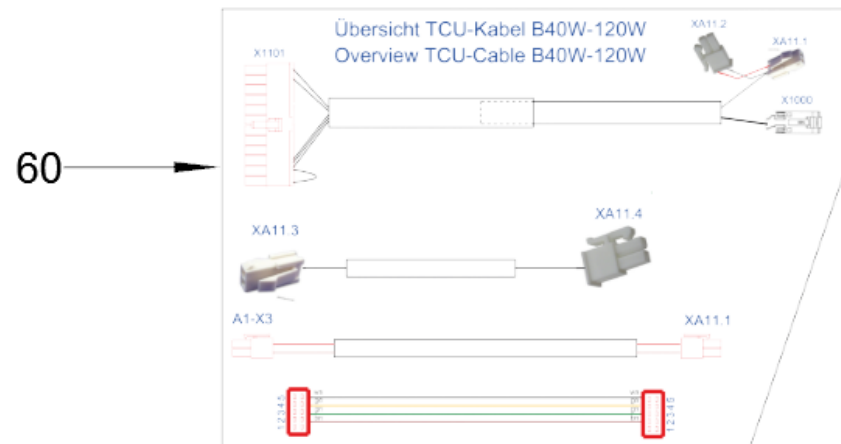
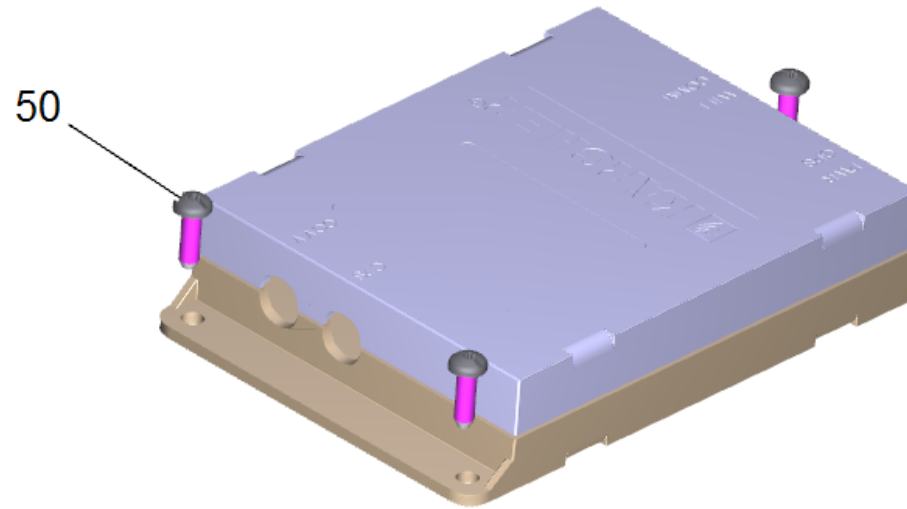
10 Kaercher Fleet services B110R (2.644-213.0)

POS	Description	Quantity	Unit
10	Kaercher Fleet services B110R	1	PC



10 Kaercher Fleet services B110R

POS	Article no.	Description	Quantity	Unit
20	5.039-431.0	Retaining plate fleet management module B110	1	PC
30	7.306-206.0	Screw M4x10 -A2-70 ISO 14583	3	PC
40	7.303-108.0	Screw 5x20 -10.9-R2R (In6Rd)	2	PC

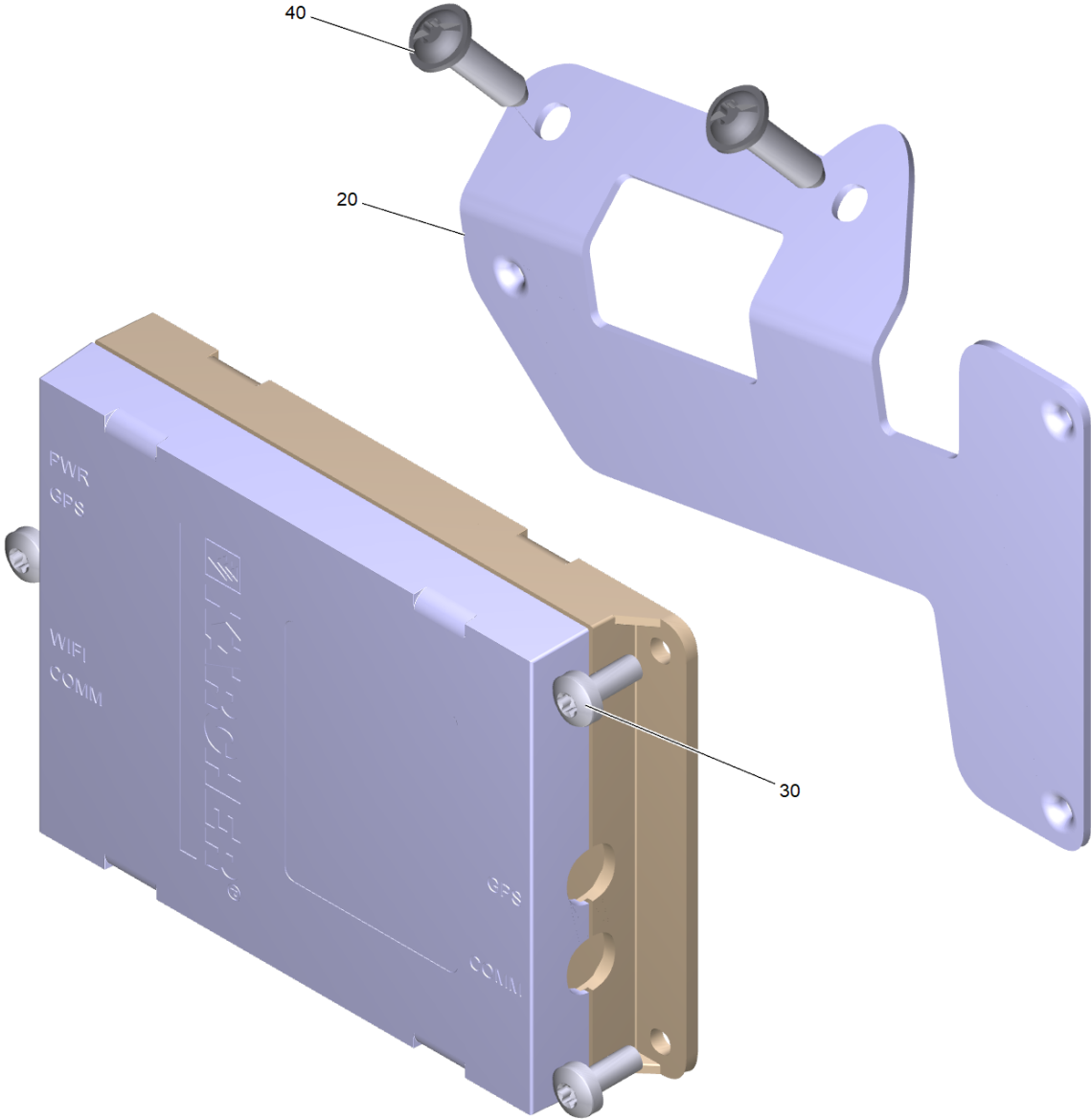


10 KAERCHER reversion kit Fleet NA* B40-B120 CAN (2.644-104.0)

POS	Article no.	Description	Quantity	Unit
10	2.644-214.0	Kaercher Fleet services B110R NA	1	PC
50	7.303-102.0	Screw 3,5x12 -A2-70-bk (In6Rd)	3	PC
60	4.822-986.0	False group cable harness overview B40/60/80/120	1	PC

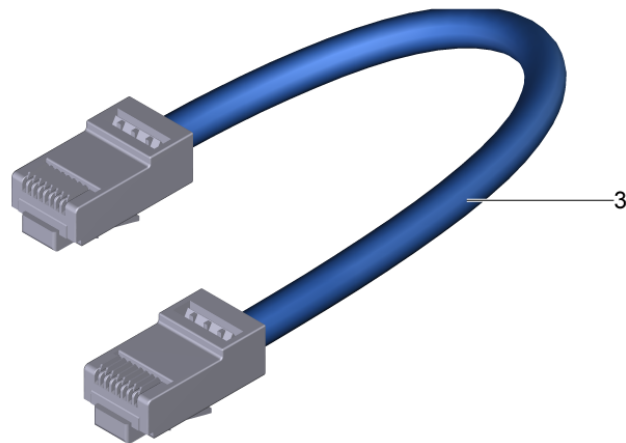
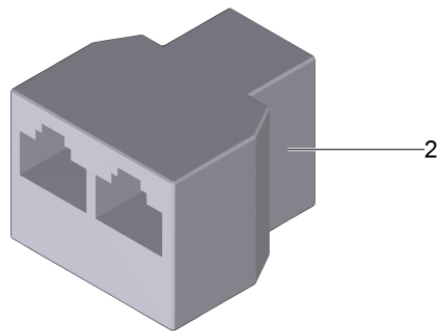
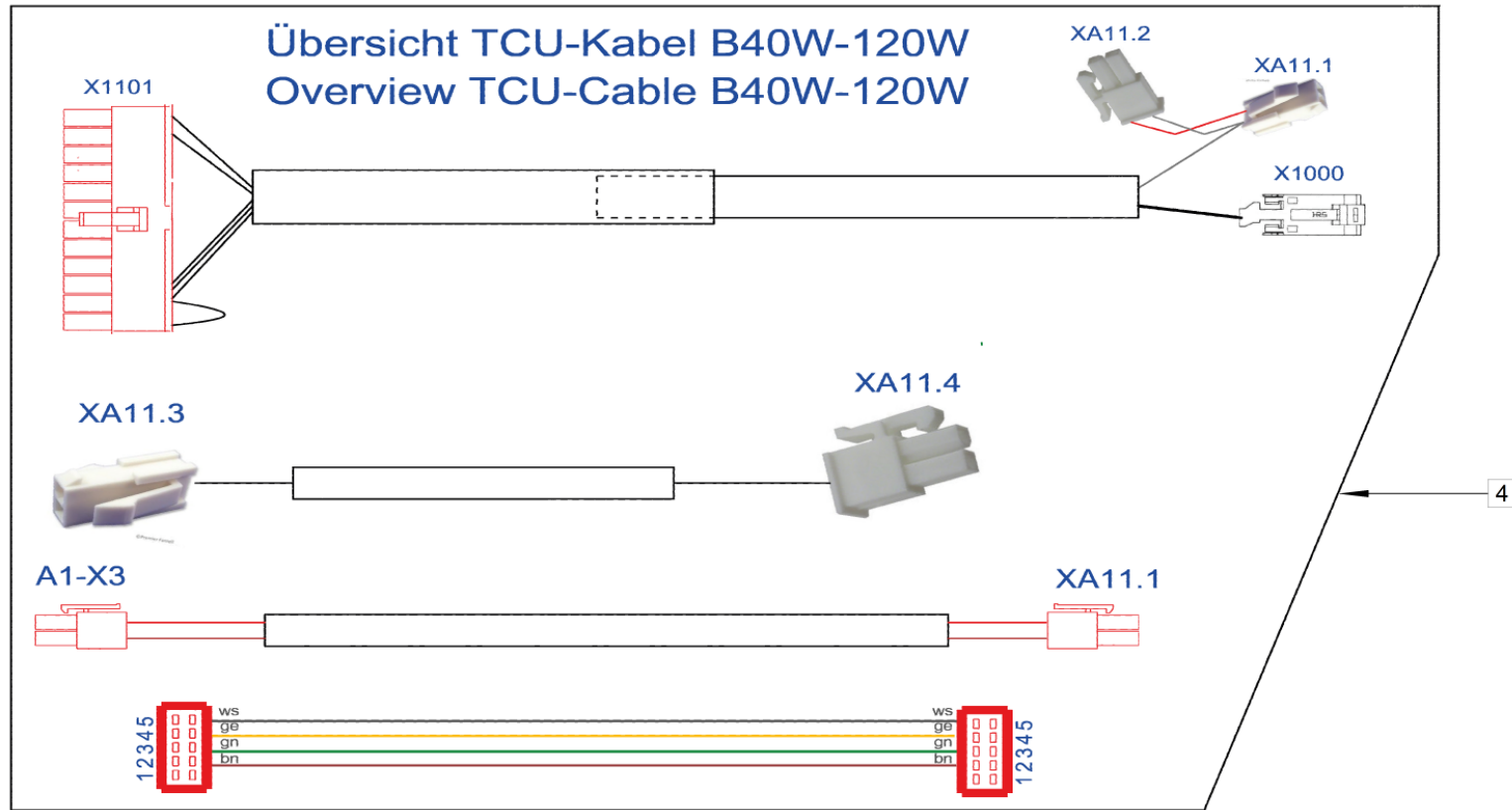
10 Kaercher Fleet services B110R NA (2.644-214.0)

POS	Description	Quantity	Unit
10	Kaercher Fleet services B110R NA	1	PC



10 Kaercher Fleet services B110R NA

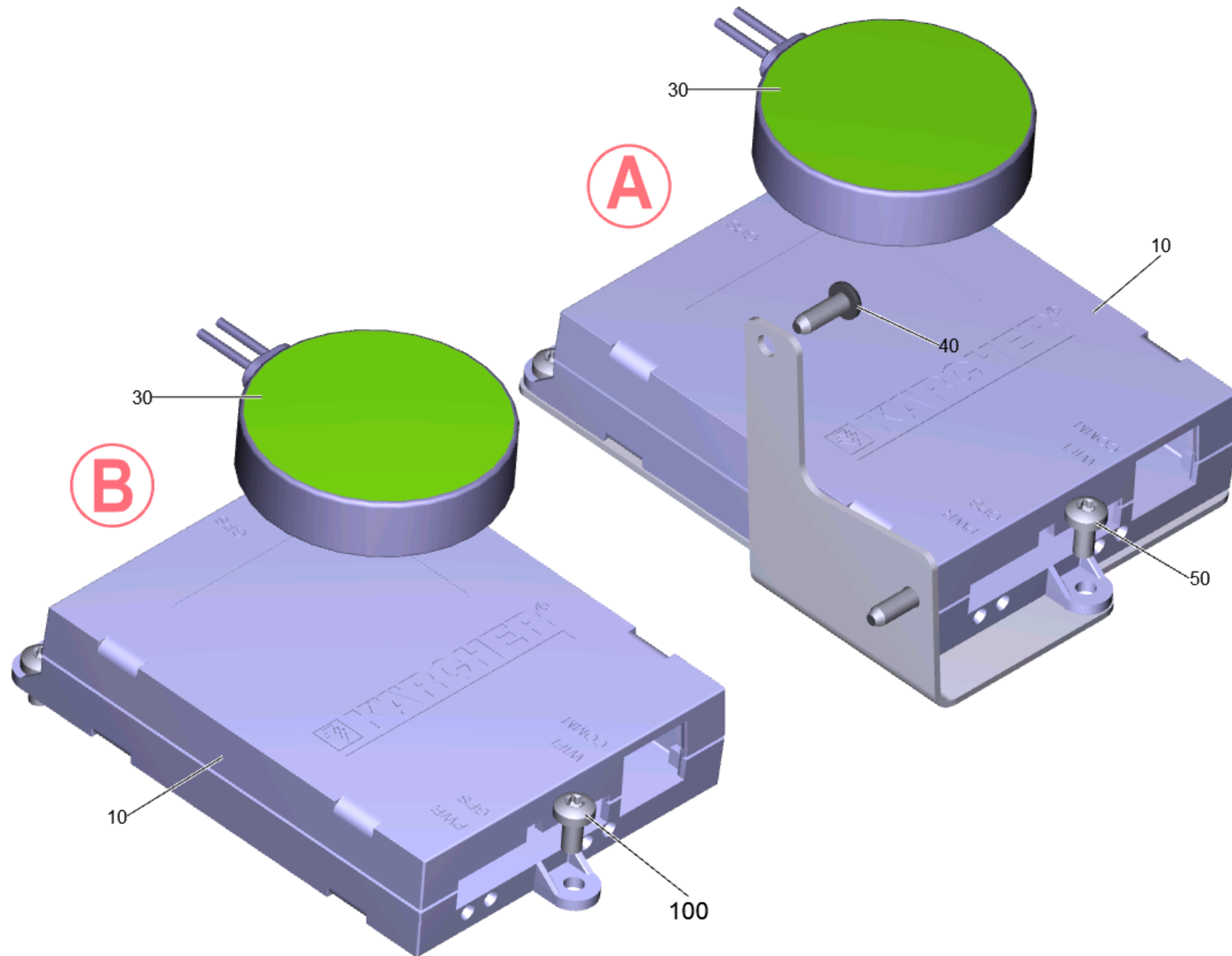
POS	Article no.	Description	Quantity	Unit
20	5.039-431.0	Retaining plate fleet management module B110	1	PC
30	7.306-206.0	Screw M4x10 -A2-70 ISO 14583	3	PC
40	7.303-108.0	Screw 5x20 -10.9-R2R (In6Rd)	2	PC

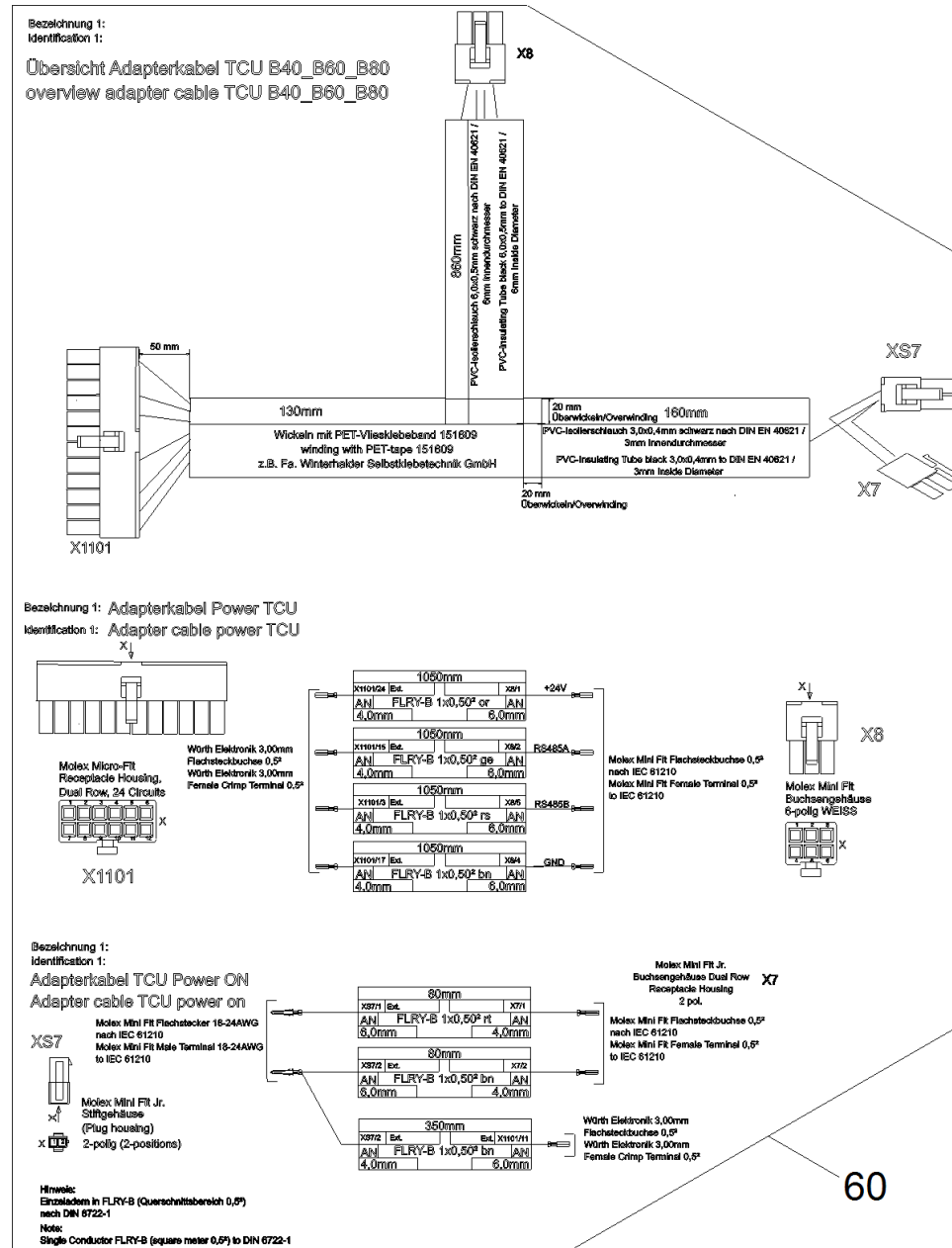


4

20 Retrofit kit adapter RJ45 Y-Splitt CAN (2.643-776.0)

POS	Article no.	Description	Quantity	Unit
2	6.330-111.0	Adapter RJ45 Y-Splitter	1	PC
3	6.882-000.0	Cable blue Patch	1	PC
4	4.822-986.0	False group cable harness overview B40/60/80/120	1	PC



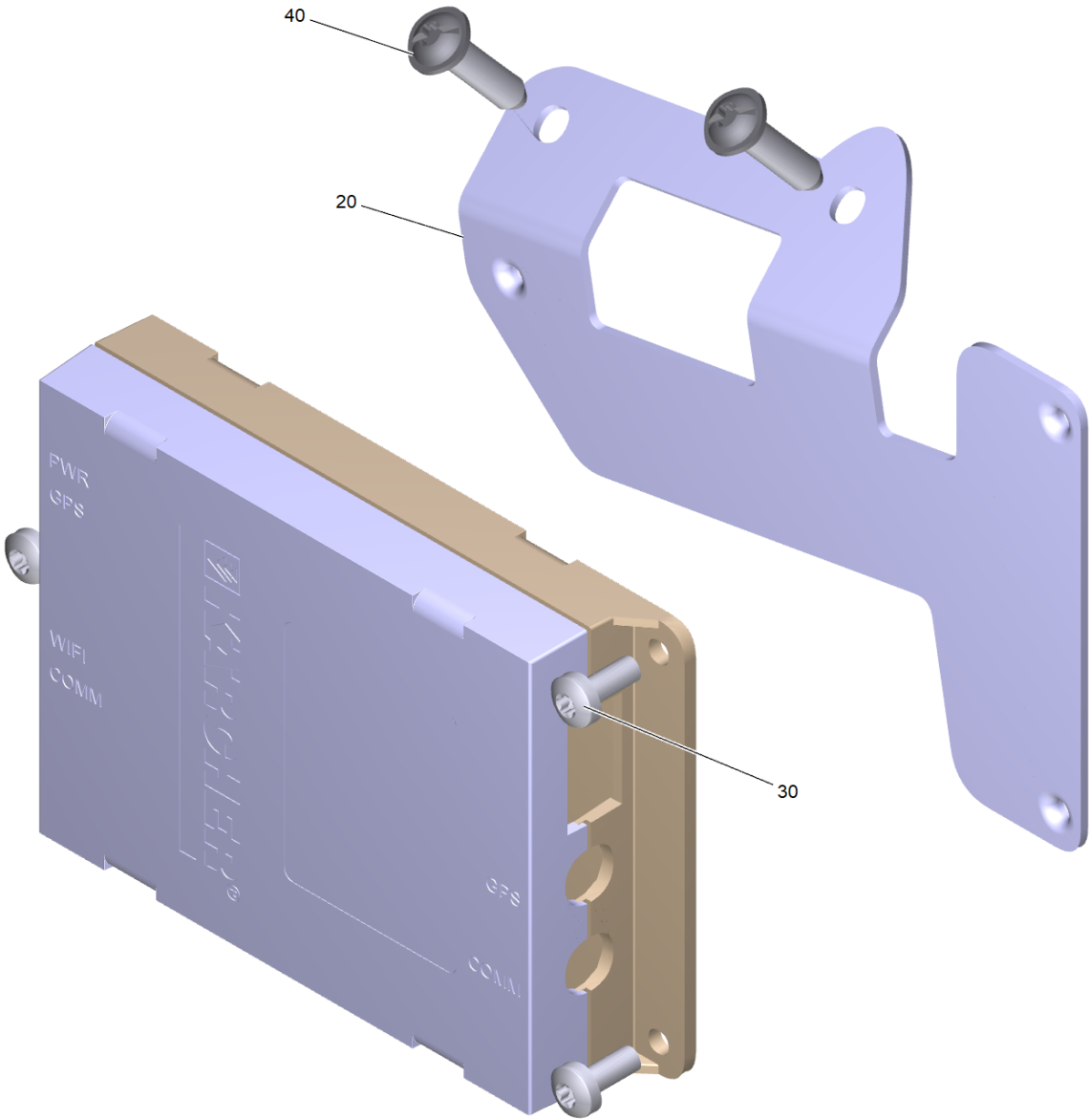


30 KAERCHER reversion kit Fleet Services B40-80 EU (2.643-348.0)

POS	Article no.	Description	Quantity	Unit	Foot note text
10	2.644-213.0	Kaercher Fleet services B110R	1	PC	
30	4.682-006.0	Antenna fleet management module replacem	1	PC	
40	7.303-095.0	Screw 4x12-ST-10.9-R2R (IN6RD)	2	PC	VERSION A
50	7.306-205.0	Screw M4x8 -A2-70 ISO 14853	3	PC	VERSION A
60	4.822-943.0	Cable B40/60/80 TCU Fleetmanagement	1	PC	
100	7.303-102.0	Screw 3,5x12 -A2-70-bk (In6Rd)	3	PC	VERSION B

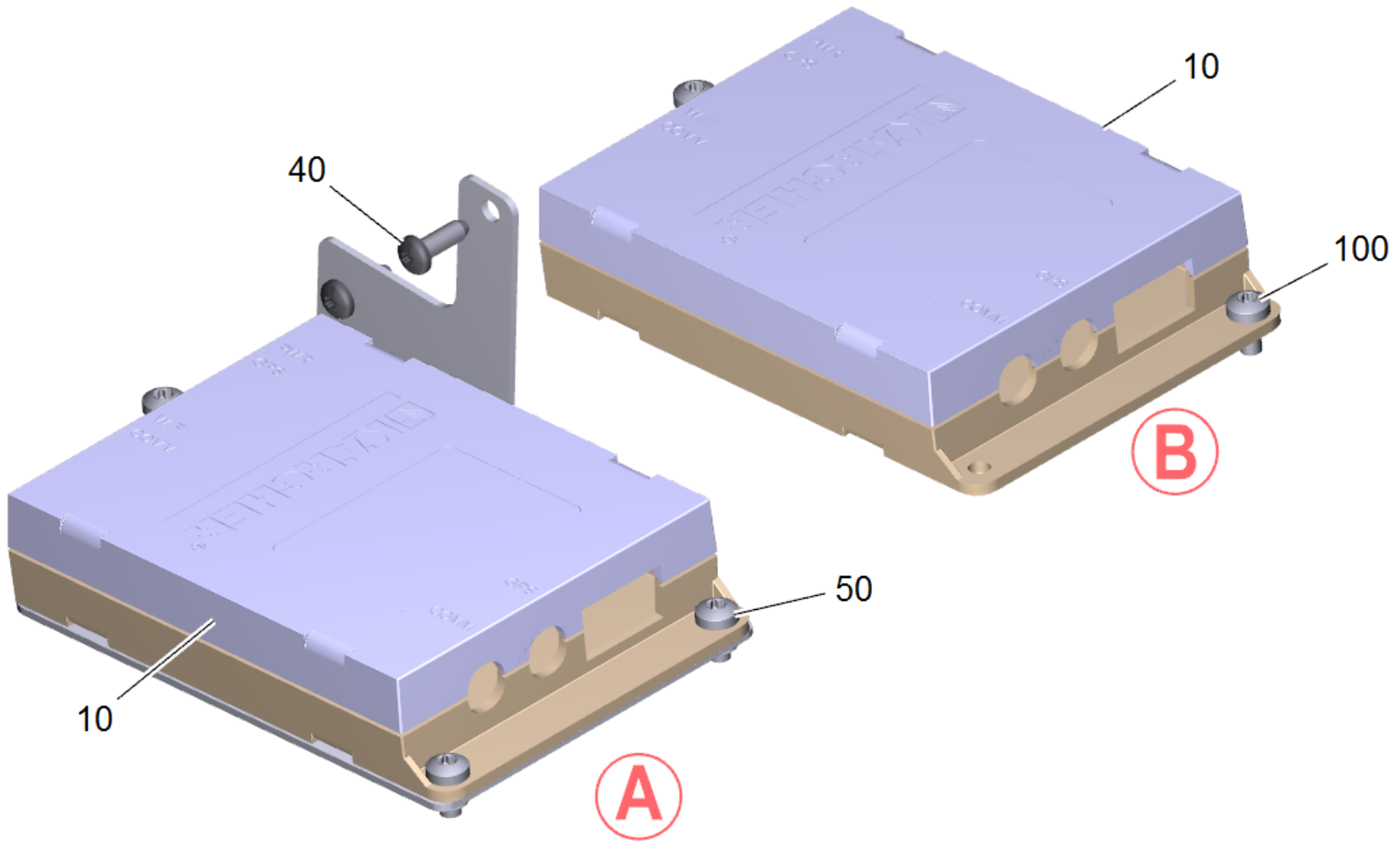
10 Kaercher Fleet services B110R (2.644-213.0)

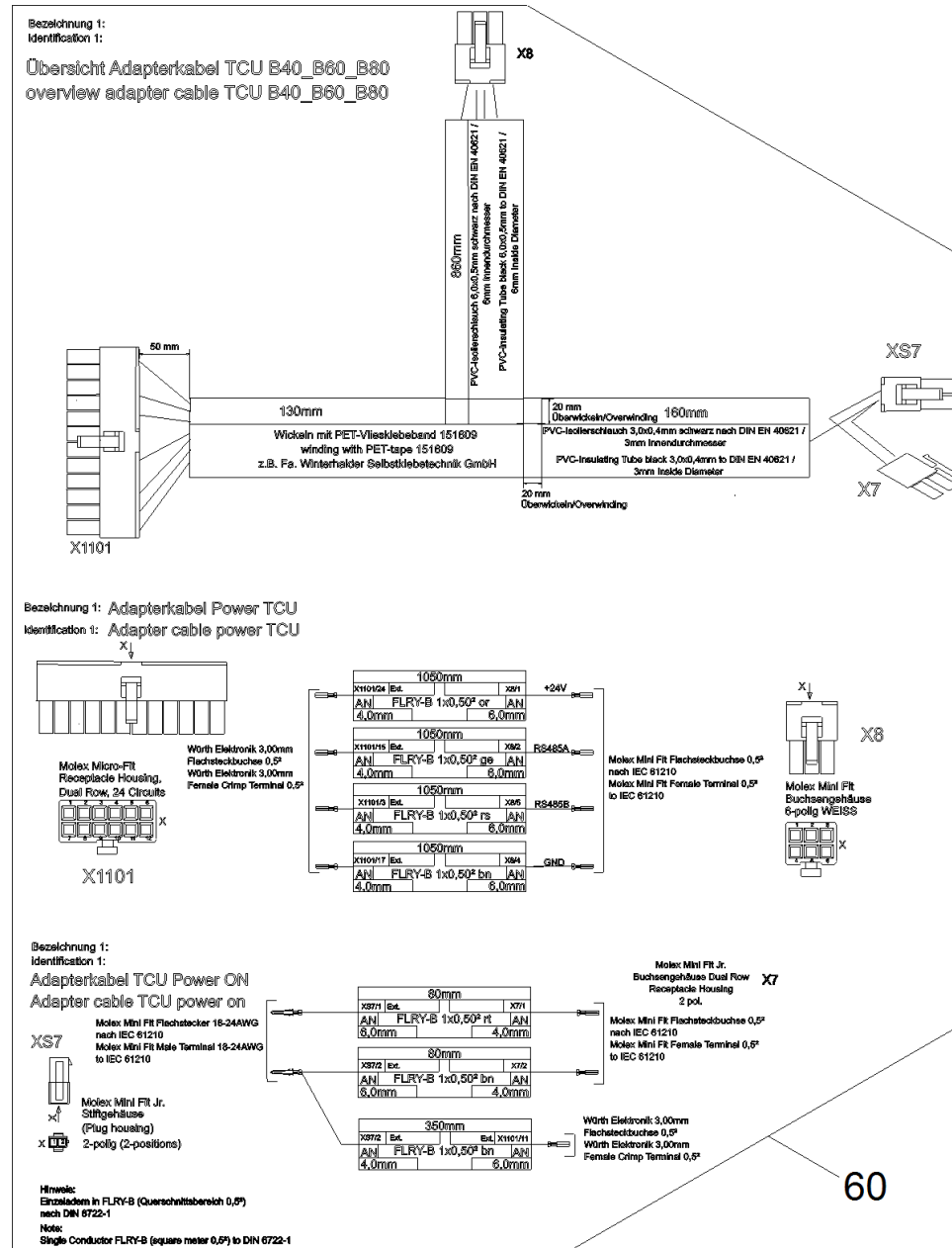
POS	Description	Quantity	Unit
10	Kaercher Fleet services B110R	1	PC



10 Kaercher Fleet services B110R

POS	Article no.	Description	Quantity	Unit
20	5.039-431.0	Retaining plate fleet management module B110	1	PC
30	7.306-206.0	Screw M4x10 -A2-70 ISO 14583	3	PC
40	7.303-108.0	Screw 5x20 -10.9-R2R (In6Rd)	2	PC



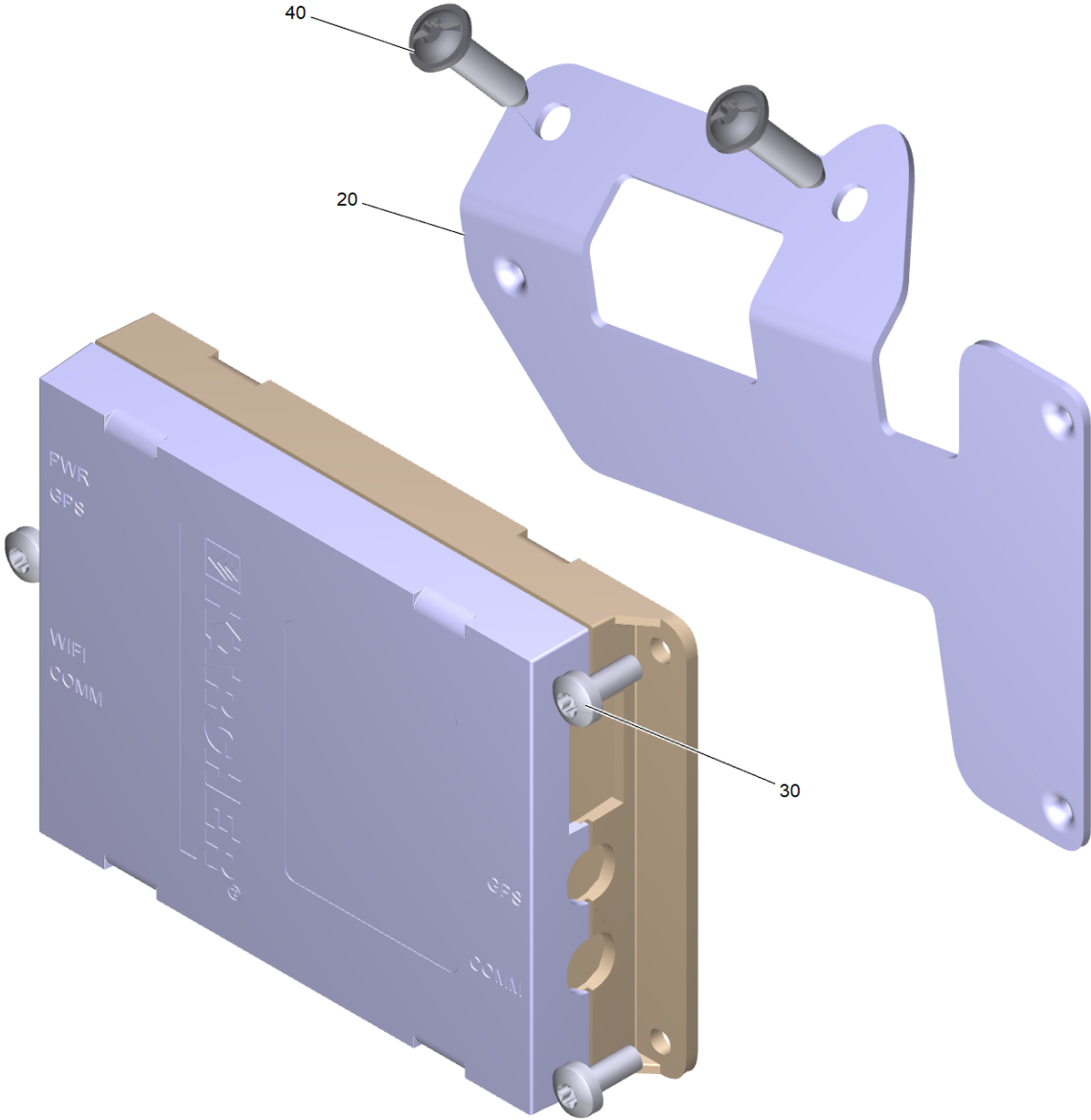


30 KAERCHER reversion kit Fleet EU* Services B40-80 (2.644-093.0)

POS	Article no.	Description	Quantity	Unit
10	2.644-213.0	Kaercher Fleet services B110R	1	PC
40	7.303-095.0	Screw 4x12-ST-10.9-R2R (IN6RD)	2	PC
50	7.306-205.0	Screw M4x8 -A2-70 ISO 14853	3	PC
60	4.822-943.0	Cable B40/60/80 TCU Fleetmanagement	1	PC
100	7.303-102.0	Screw 3,5x12 -A2-70-bk (In6Rd)	3	PC

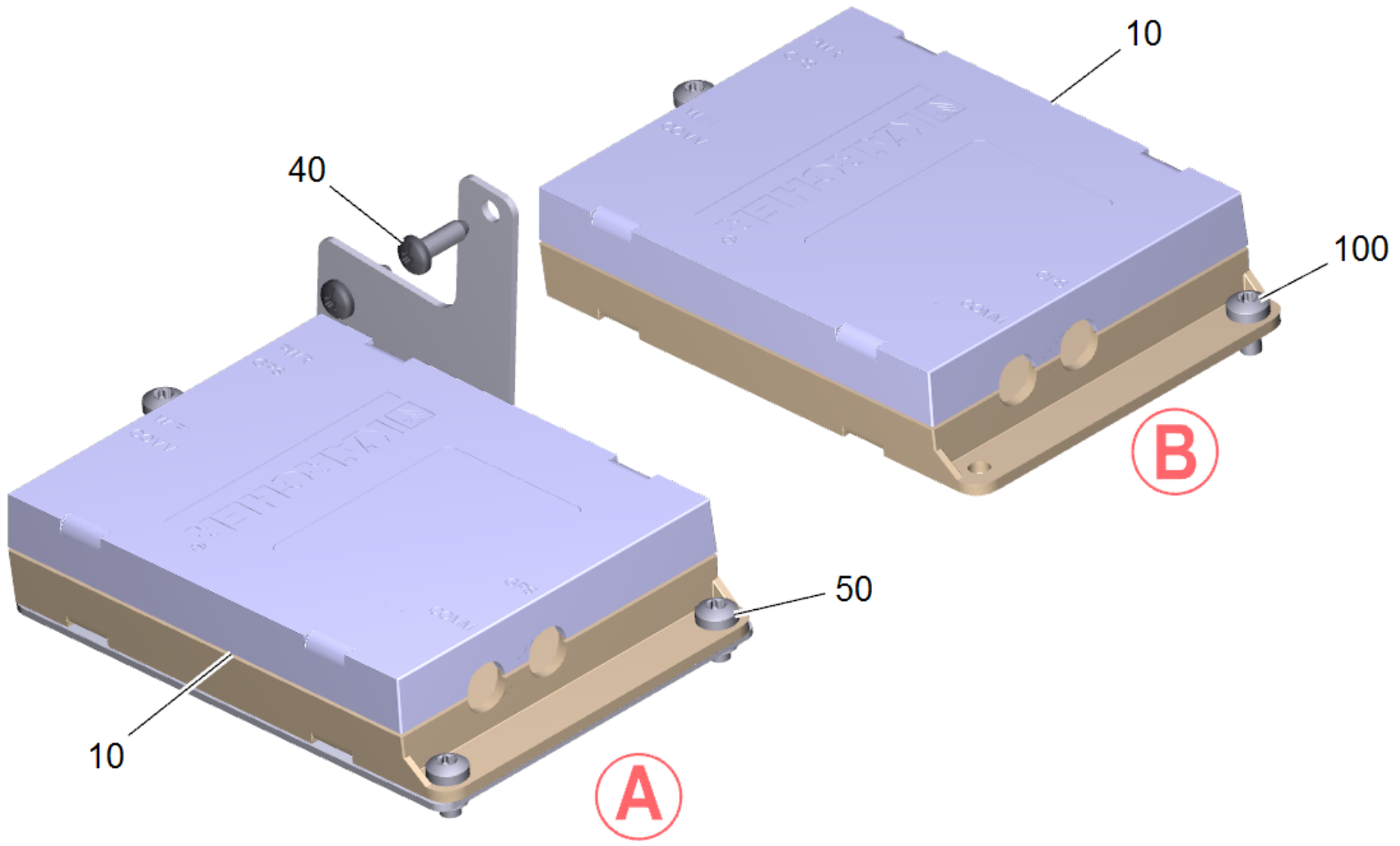
10 Kaercher Fleet services B110R (2.644-213.0)

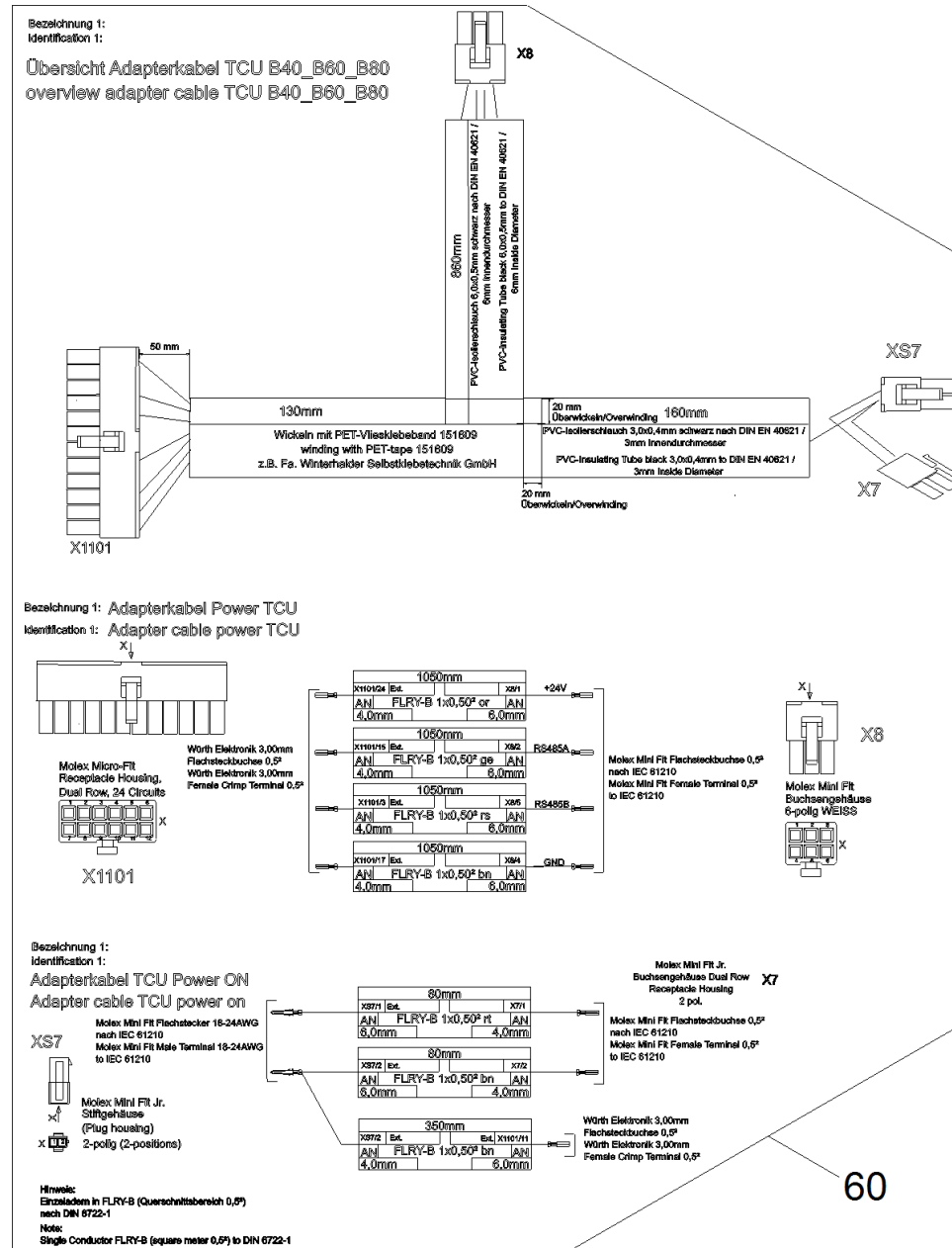
POS	Description	Quantity	Unit
10	Kaercher Fleet services B110R	1	PC



10 Kaercher Fleet services B110R

POS	Article no.	Description	Quantity	Unit
20	5.039-431.0	Retaining plate fleet management module B110	1	PC
30	7.306-206.0	Screw M4x10 -A2-70 ISO 14583	3	PC
40	7.303-108.0	Screw 5x20 -10.9-R2R (In6Rd)	2	PC



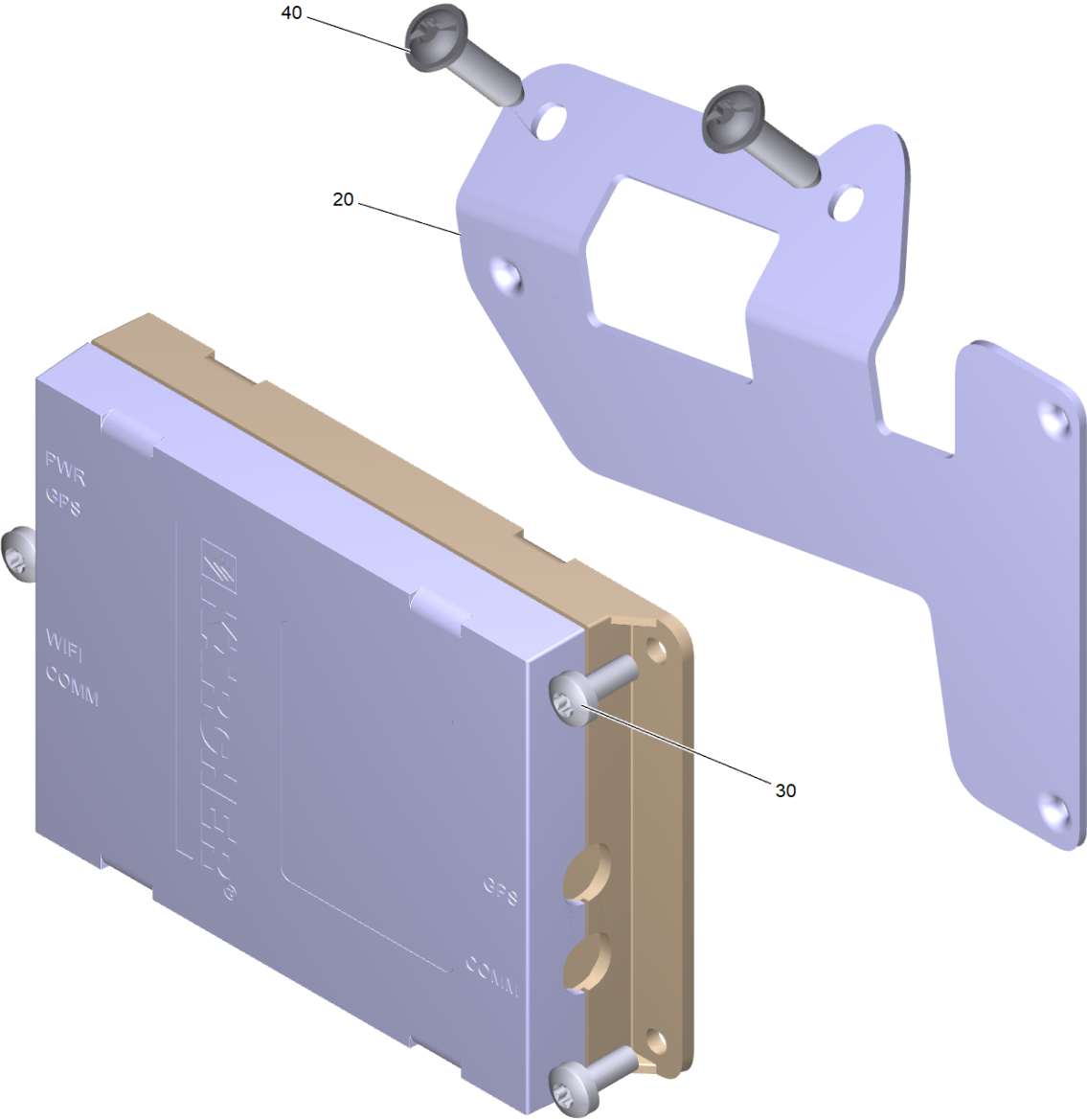


30 KAERCHER reversion kit Fleet NA* Services B40-80 (2.644-103.0)

POS	Article no.	Description	Quantity	Unit
10	2.644-214.0	Kaercher Fleet services B110R NA	1	PC
40	7.303-095.0	Screw 4x12-ST-10.9-R2R (IN6RD)	2	PC
50	7.306-205.0	Screw M4x8 -A2-70 ISO 14853	3	PC
60	4.822-943.0	Cable B40/60/80 TCU Fleetmanagement	1	PC
100	7.303-102.0	Screw 3,5x12 -A2-70-bk (In6Rd)	3	PC

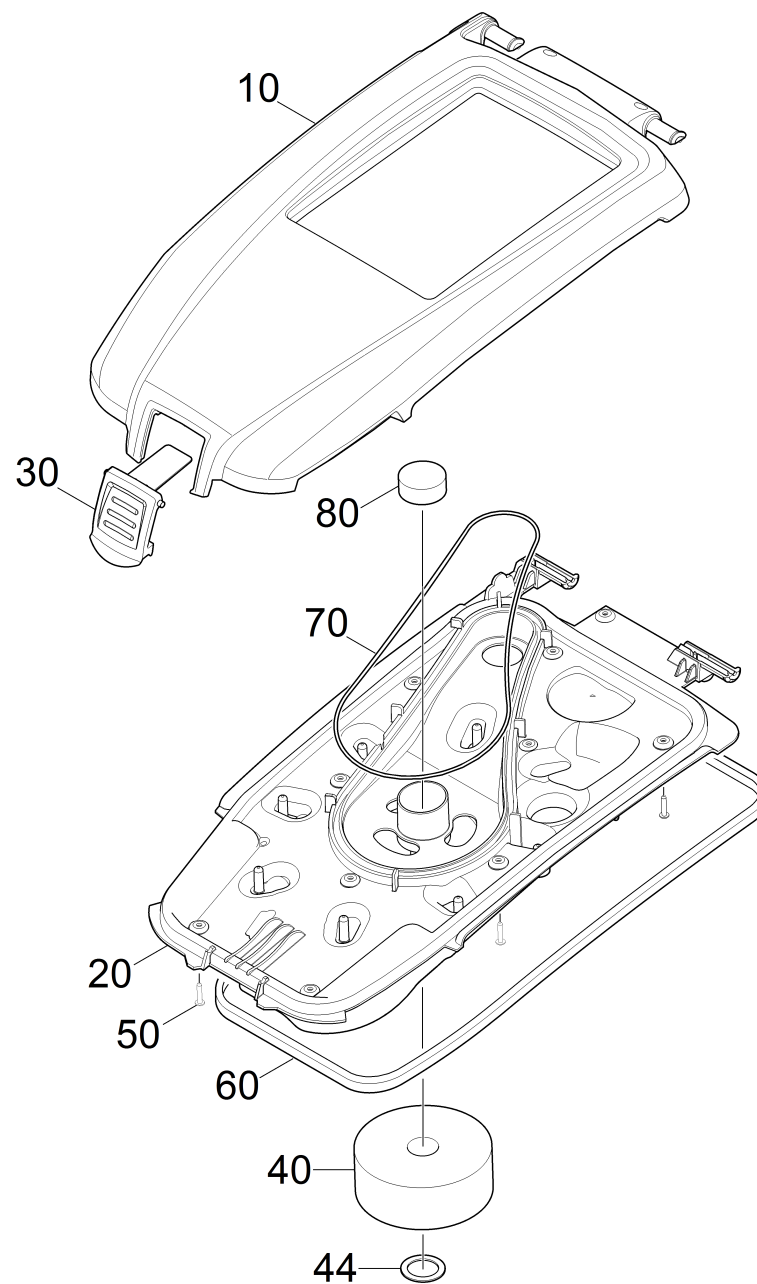
10 Kaercher Fleet services B110R NA (2.644-214.0)

POS	Description	Quantity	Unit
10	Kaercher Fleet services B110R NA	1	PC



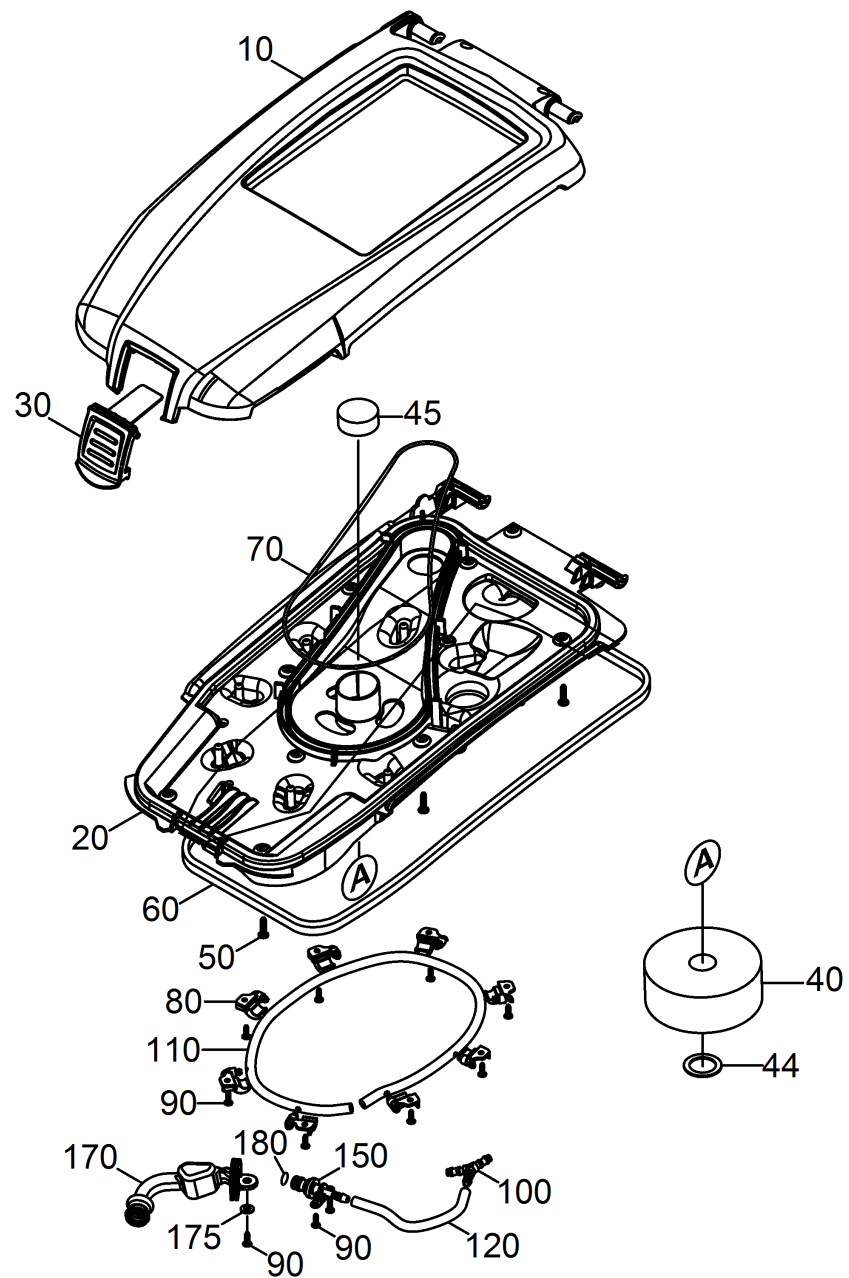
10 Kaercher Fleet services B110R NA

POS	Article no.	Description	Quantity	Unit
20	5.039-431.0	Retaining plate fleet management module B110	1	PC
30	7.306-206.0	Screw M4x10 -A2-70 ISO 14583	3	PC
40	7.303-108.0	Screw 5x20 -10.9-R2R (In6Rd)	2	PC



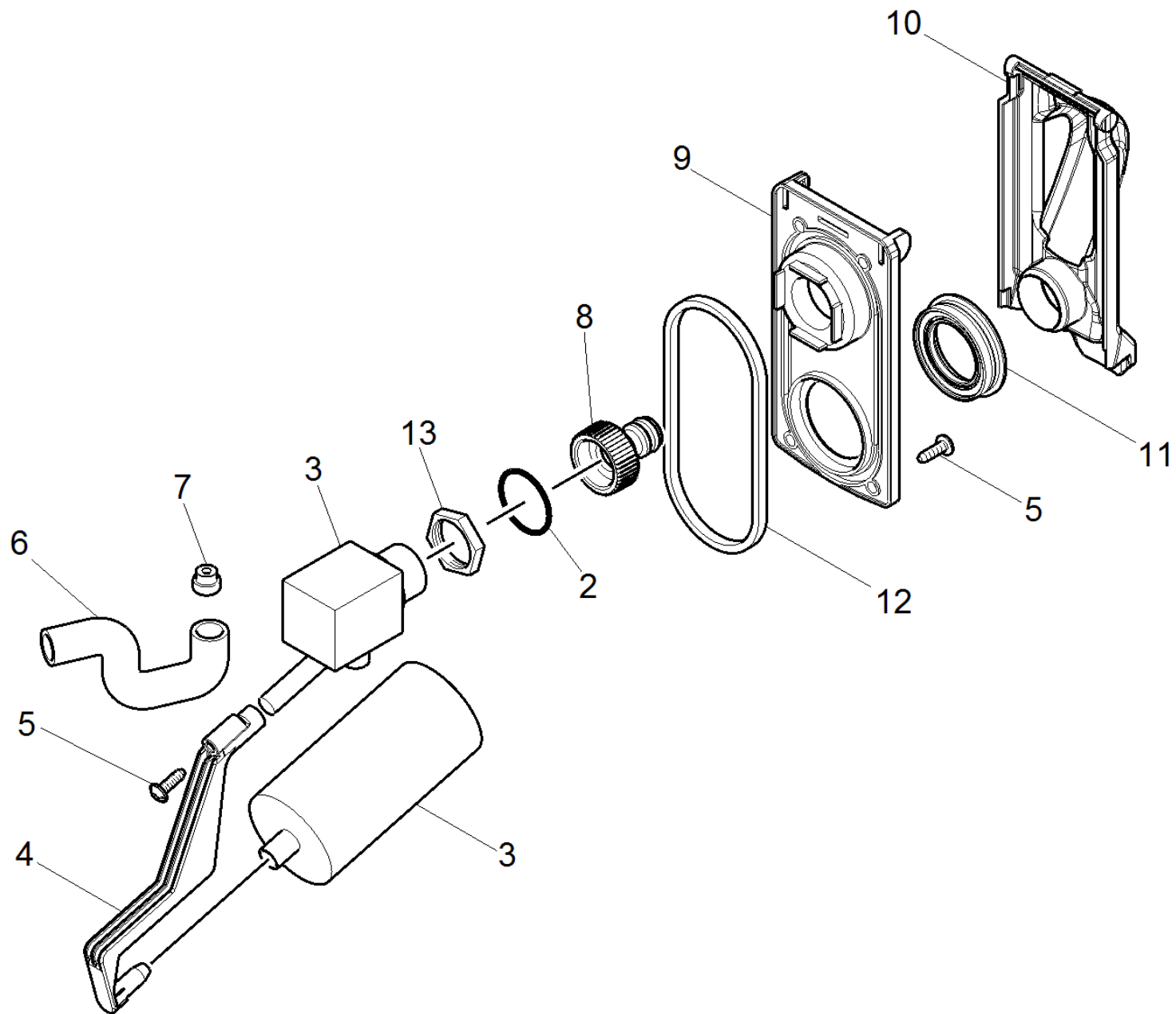
400 Cover complete

POS	Article no.	Description	Quantity	Unit	Foot note text
10	5.035-367.0	Cover top part B40	1	PC	
20	5.036-065.0	Cover bottom part foamed B40	1	PC	
30	5.036-213.0	Cover plate locking part	1	PC	
40	5.585-059.0	Float	1	PC	
44	5.035-834.0	Washer D40	1	PC	
50	7.303-109.0	Screw 5x25 -10.9-R2R (In6Rd)	12	PC	
60	6.366-058.0	Sealing profile	1	m	TO ORDER AS CUT GOODS
70	6.273-196.0	Seal string cellular rubber	1	m	ORDER ACCORDING TO CONSUMPTION
80	5.032-664.0	Plug vacuum channel	1	PC	



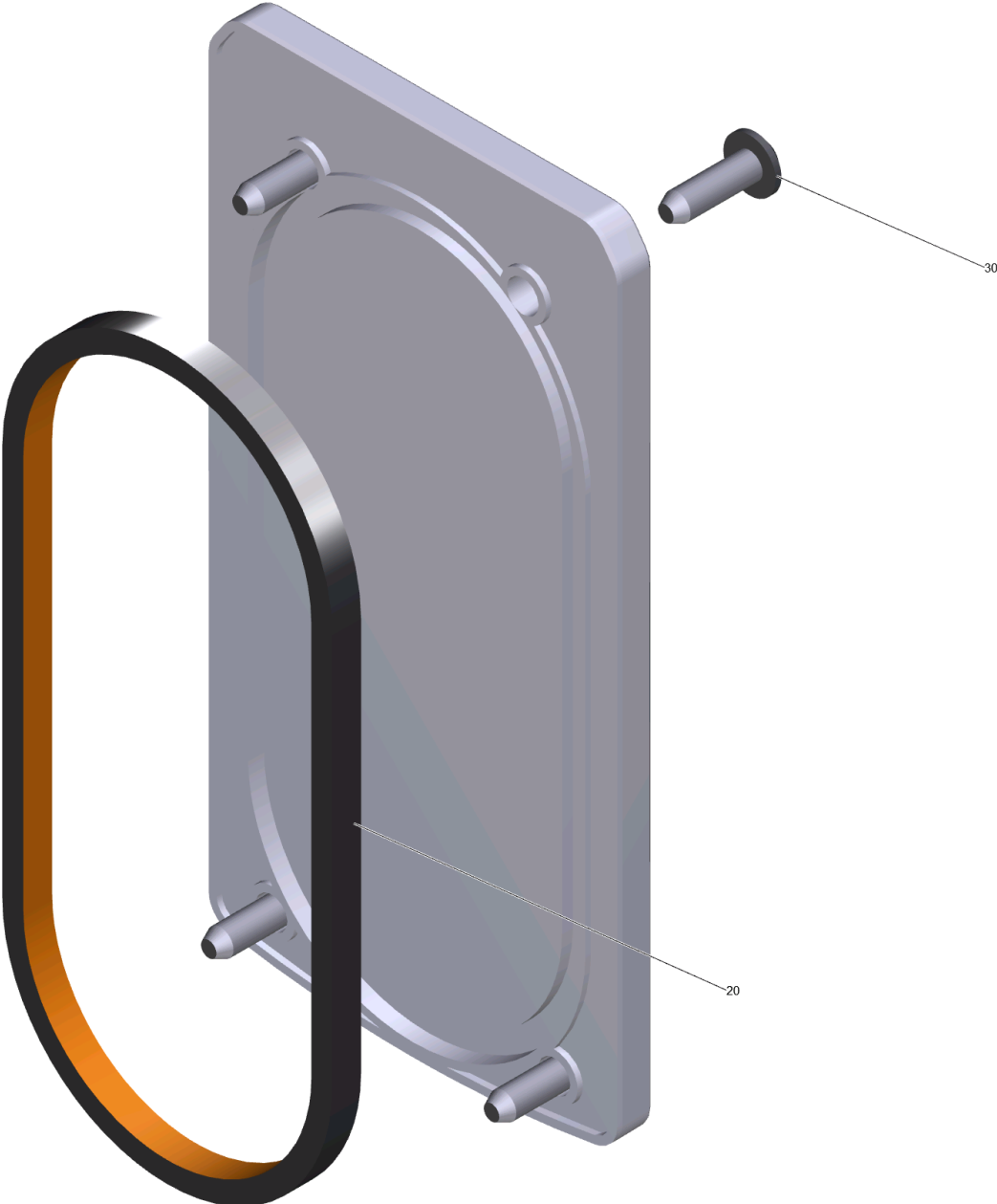
410 Cover tank flushing system complete

POS	Article no.	Description	Quantity	Unit	Foot note text
10	5.035-367.0	Cover top part B40	1	PC	
20	5.036-065.0	Cover bottom part foamed B40	1	PC	
30	5.036-213.0	Cover plate locking part	1	PC	
40	5.585-059.0	Float	1	PC	
44	5.035-834.0	Washer D40	1	PC	
45	5.032-664.0	Plug vacuum channel	1	PC	
50	7.303-109.0	Screw 5x25 -10.9-R2R (In6Rd)	12	PC	
60	6.366-058.0	Sealing profile	1	m	TO ORDER AS CUT GOODS
70	6.273-196.0	Seal string cellular rubber	1	m	ORDER ACCORDING TO CONSUMPTION
80	5.035-660.0	Spraying nozzle convex	8	PC	
90	7.303-107.0	Screw 5x16 -10.9-P2R (K-In6Rd)	10	PC	
100	6.388-761.0	Y-Bushing 8	1	PC	
110	5.035-457.0	Hose	1	PC	
120	6.390-509.0	Hose PVC	1	m	TO ORDER AS CUT GOODS
150	5.035-677.0	Hose connection piece	1	PC	
170	5.035-639.0	Protecting cap hose coupling grey	1	PC	
175	7.312-278.0	Washer 5-200HV-A2E ISO7093-1	1	PC	
180	6.362-170.0	O-Ring seal 11,3 X 2,4-NBR 70	1	PC	



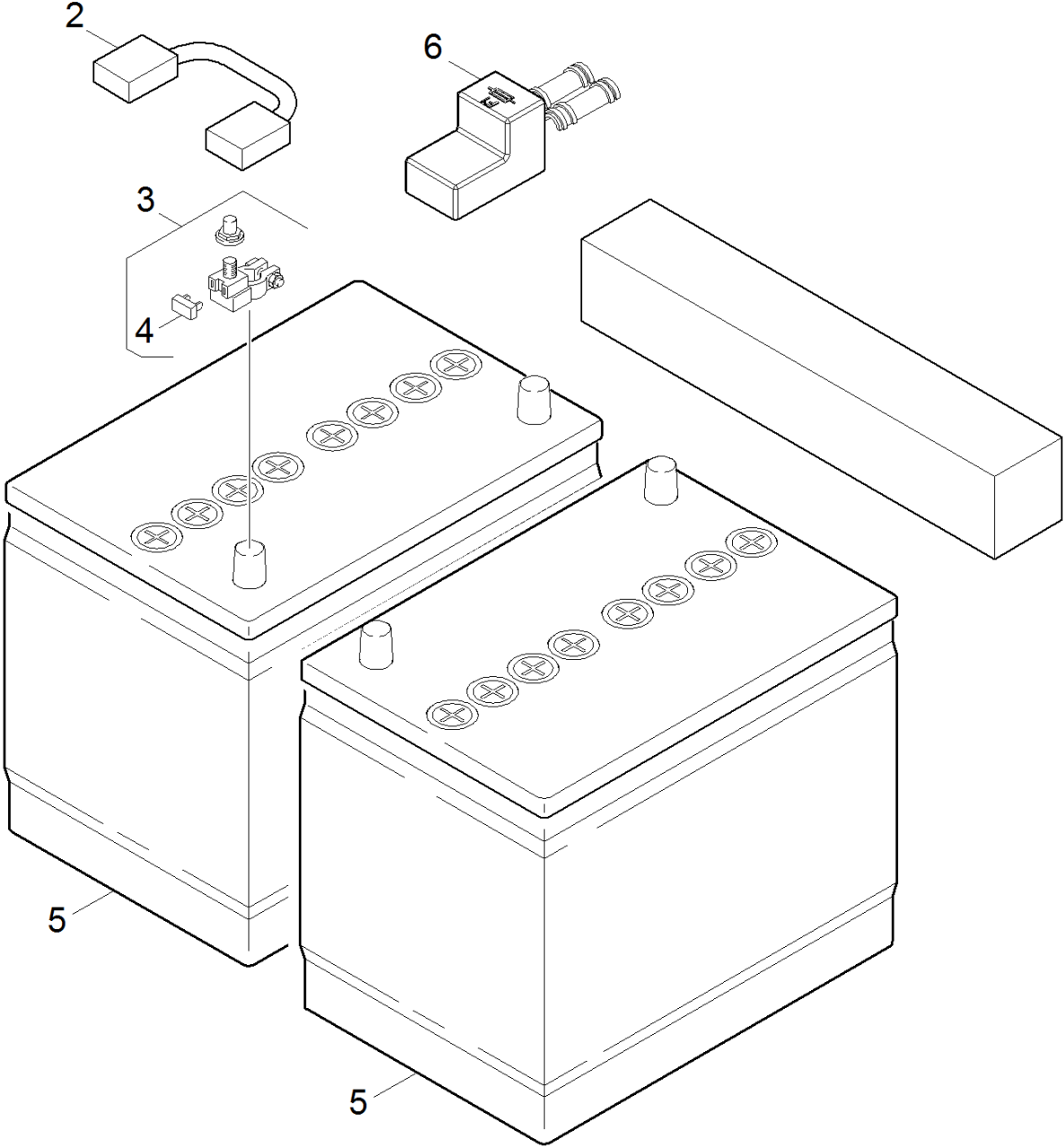
500 Filling system

POS	Article no.	Description	Quantity	Unit
2	6.363-631.0	O-Ring seal 17x4	1	PC
3	6.632-439.3	Float regulator filling system	1	PC
4	5.035-421.0	Extension float	1	PC
5	7.303-107.0	Screw 5x16 -10.9-P2R (K-In6Rd)	5	PC
6	5.035-666.0	Form hose	1	PC
7	5.035-665.0	Sleeve	1	PC
8	6.465-031.0	Connection 3/4	1	PC
9	5.035-417.0	Fixing plate float	1	PC
10	5.035-419.0	Cover plate float yellow	1	PC
11	5.035-420.0	Joint ring cover float	1	PC
12	5.035-418.0	Seal fixing plate	1	PC
13	5.311-096.0	Hexagon nut 3/4"	1	PC



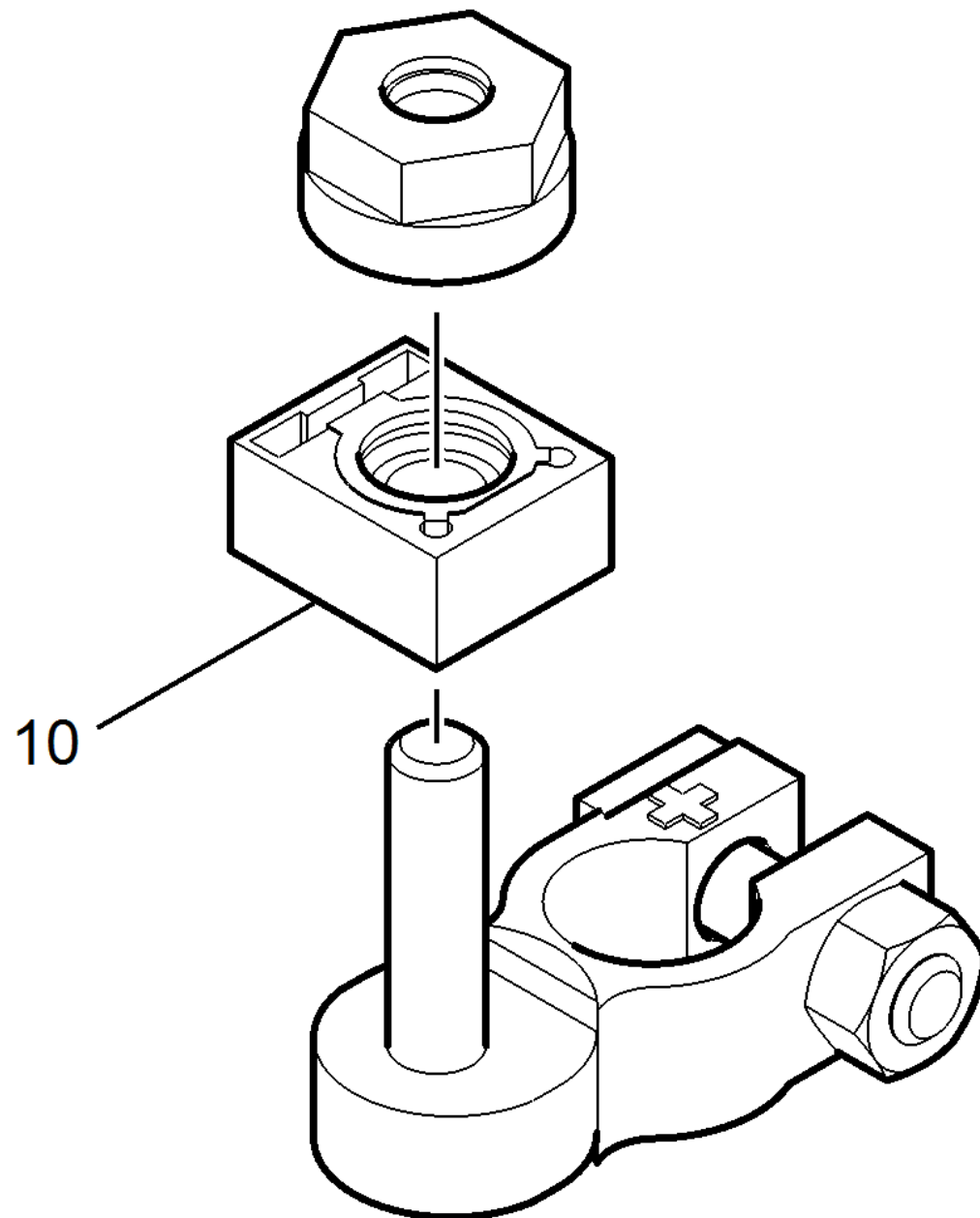
510 Screen filling system (4.035-370.7)

POS	Article no.	Description	Quantity	Unit
20	5.035-418.0	Seal fixing plate	1	PC
30	7.303-107.0	Screw 5x16 -10.9-P2R (K-In6Rd)	4	PC



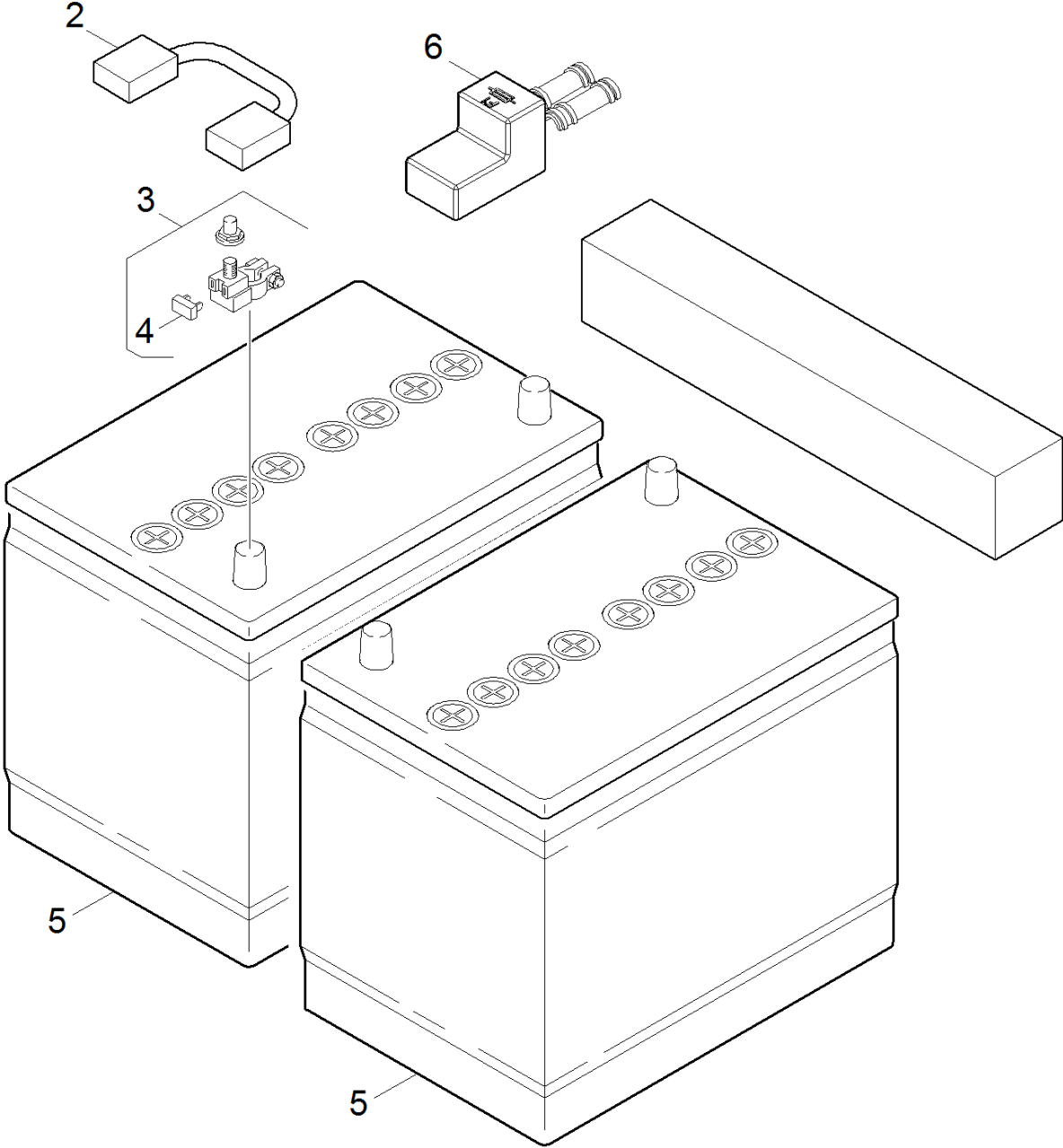
700 Battery kit 76 Ah (4.035-372.0)

POS	Article no.	Description	Quantity	Unit	Remark	Foot note text
2	6.649-879.0	Cable battery 25 mm ² . 160 mm	1	PC		
3	6.643-956.0	Pole binder single 100A	1	PC		
4	6.644-363.0	Fuse replacement 100A	1	PC		
5	6.654-093.0	Drive battery 12V 76AH	2	PC	76Ah	MAINTENANCE-FREE
6	5.394-852.0	Covering cap battery terminal	1	PC		



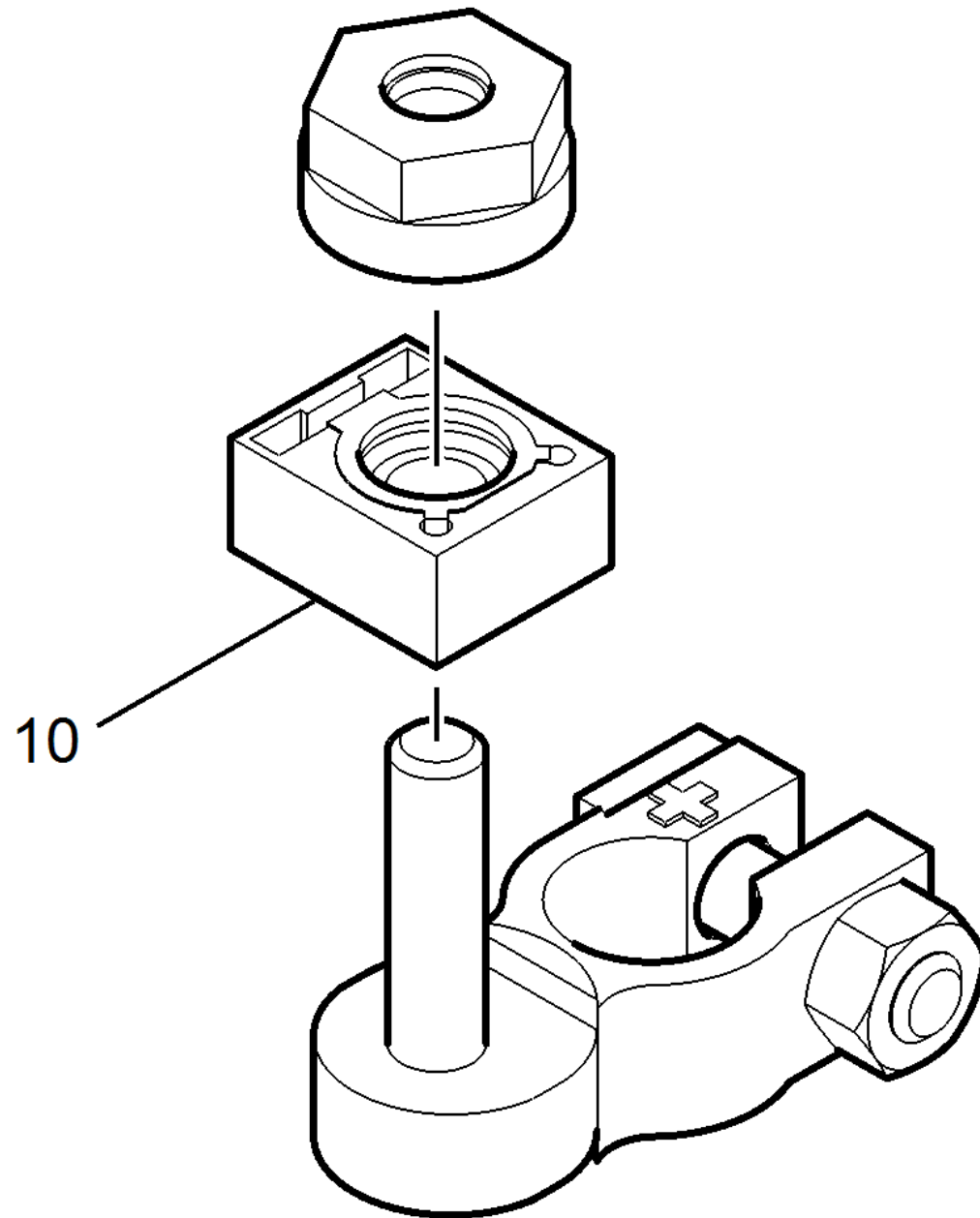
3 Pole binder single 100A (6.643-956.0)

POS	Article no.	Description	Quantity	Unit
10	6.644-363.0	Fuse replacement 100A	1	PC



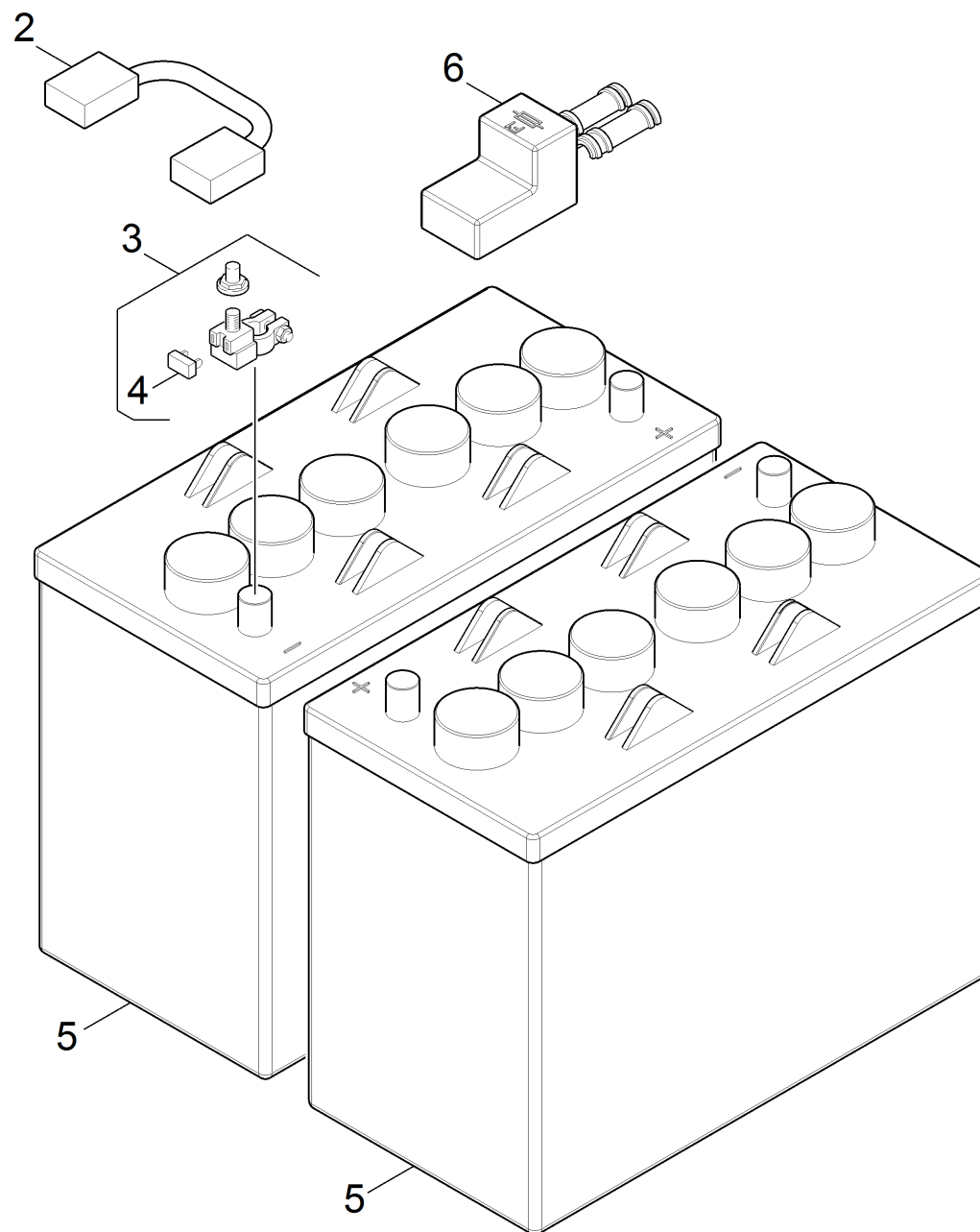
700 Set battery kit 76 Ah (4.035-447.0)

POS	Article no.	Description	Quantity	Unit
2	6.649-879.0	Cable battery 25 mm ² . 160 mm	1	PC
3	6.643-956.0	Pole binder single 100A	1	PC
4	6.644-363.0	Fuse replacement 100A	1	PC
5	6.654-093.0	Drive battery 12V 76AH	2	PC
6	5.394-852.0	Covering cap battery terminal	1	PC



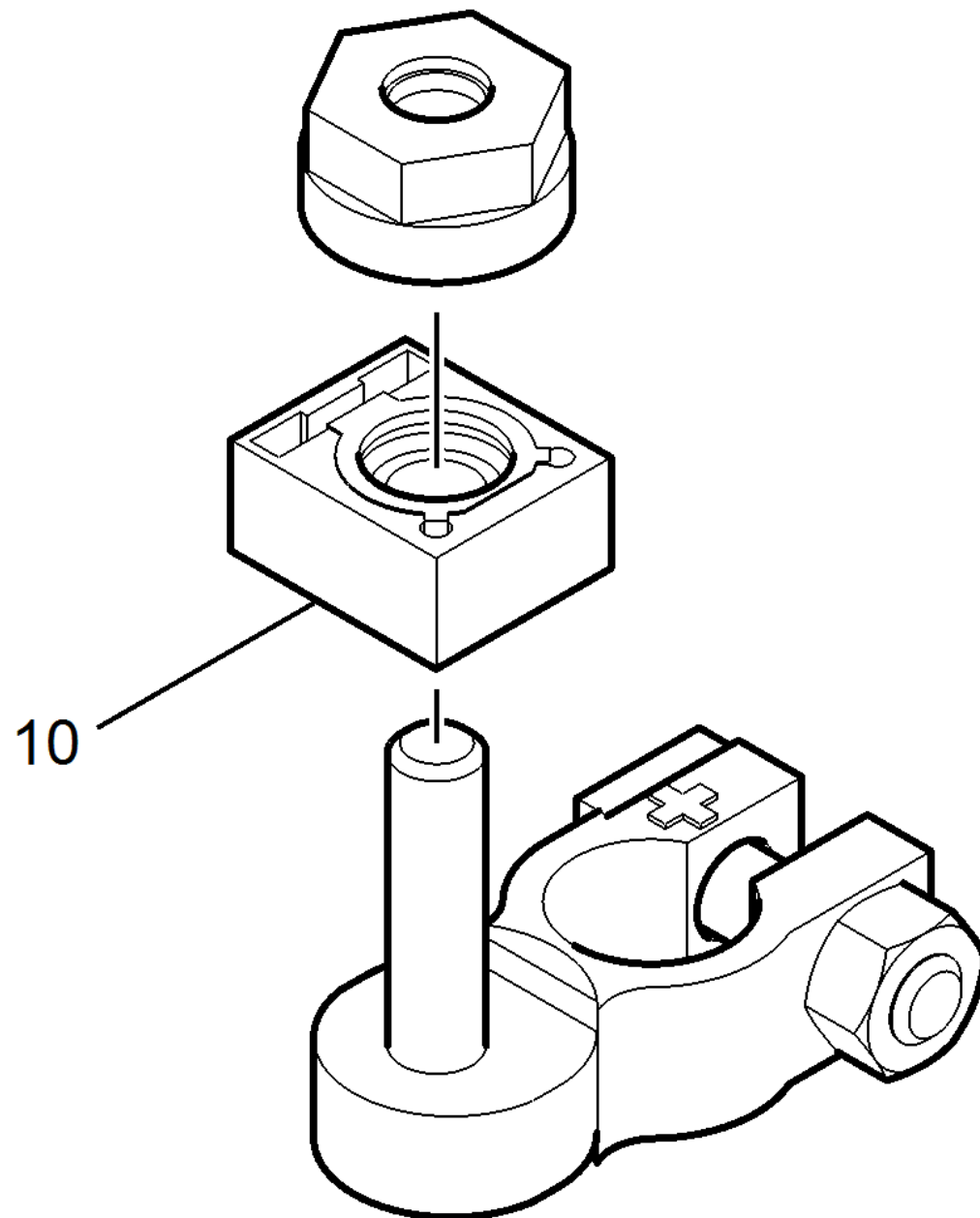
3 Pole binder single 100A (6.643-956.0)

POS	Article no.	Description	Quantity	Unit
10	6.644-363.0	Fuse replacement 100A	1	PC



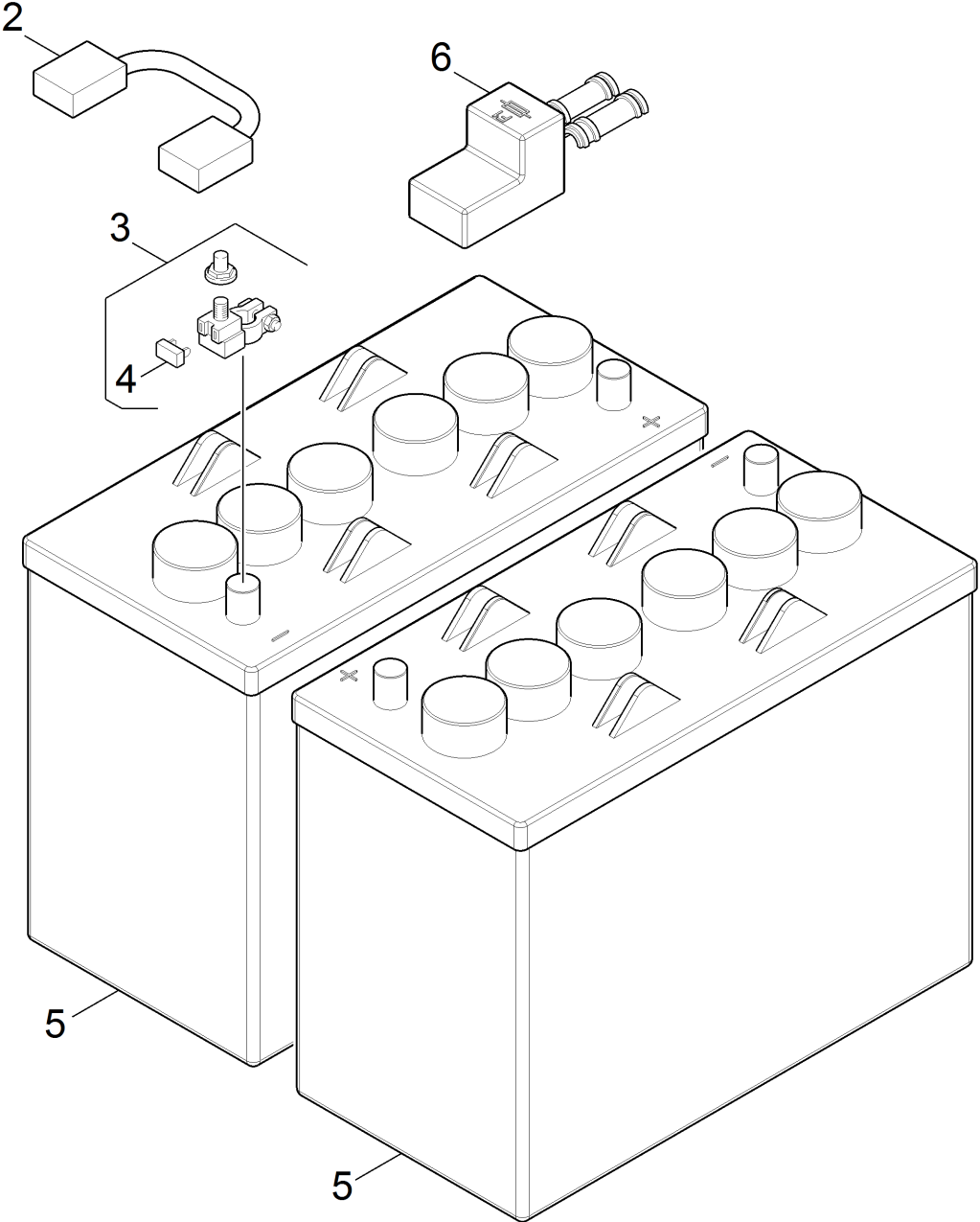
710 Battery kit 105 Ah (4.035-373.0)

POS	Article no.	Description	Quantity	Unit	Remark	Foot note text
2	6.649-880.0	Cable battery 25 mm ² . 320mm	1	PC		
3	6.643-956.0	Pole binder single 100A	1	PC		
4	6.644-363.0	Fuse replacement 100A	1	PC		
5	2.815-100.0	Battery kit Gel 2x 12V/105Ah	1	SET	105Ah	MAINTENANCE-FREE
6	5.394-852.0	Covering cap battery terminal	1	PC		



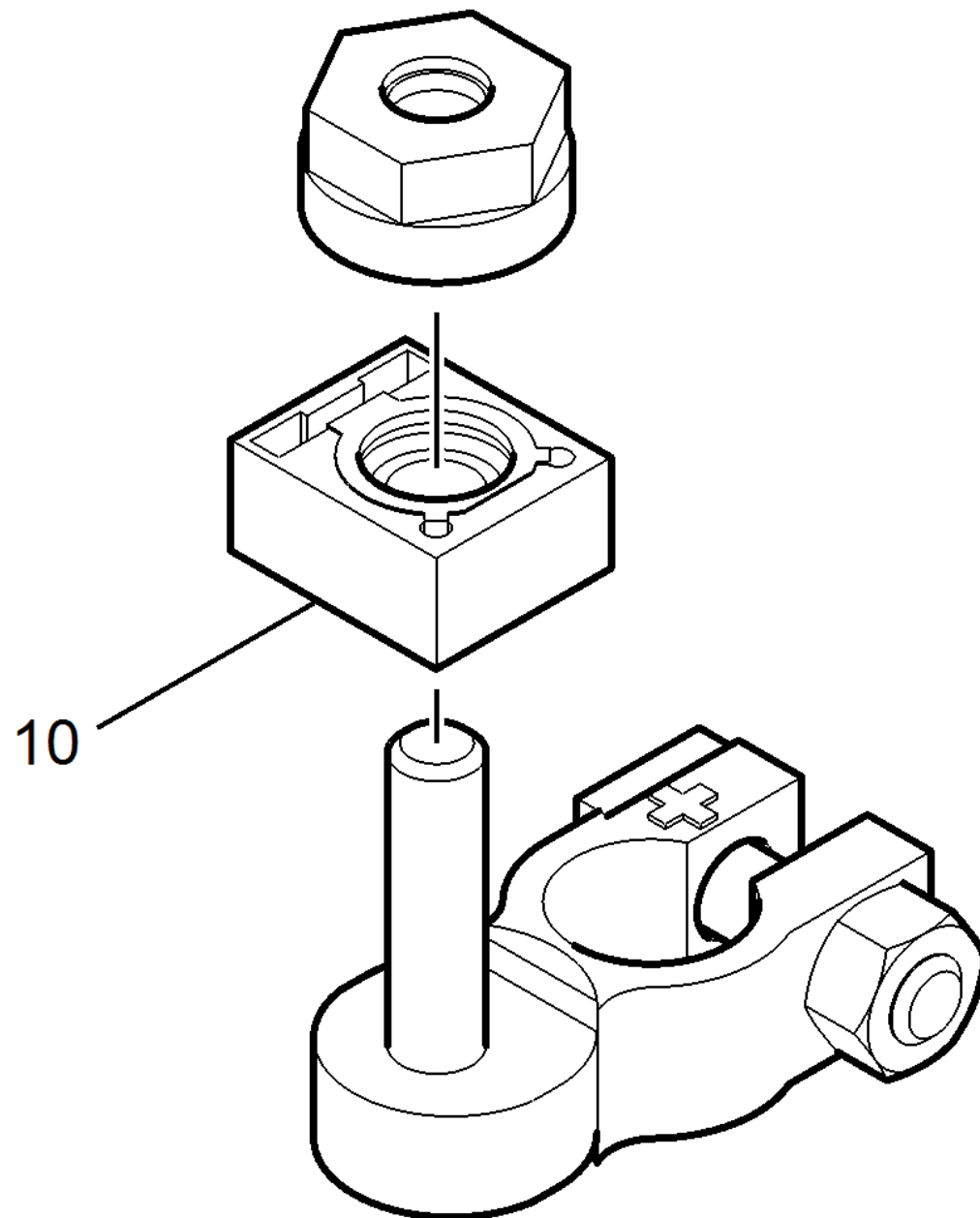
3 Pole binder single 100A (6.643-956.0)

POS	Article no.	Description	Quantity	Unit
10	6.644-363.0	Fuse replacement 100A	1	PC



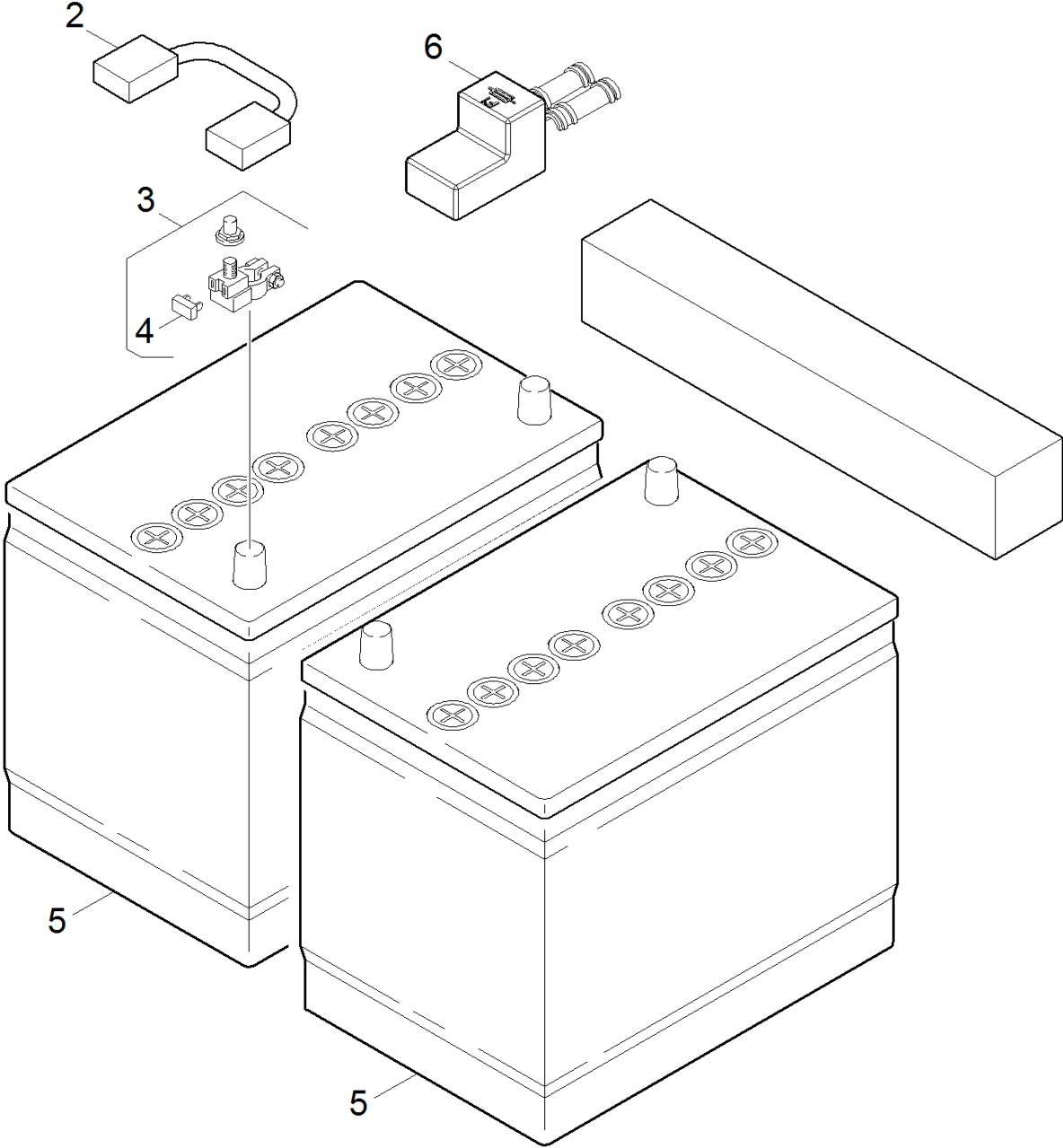
710 Set battery kit 105 Ah (4.035-449.0)

POS	Article no.	Description	Quantity	Unit	Remark	Foot note text
2	6.649-880.0	Cable battery 25 mm ² . 320mm	1	PC		
3	6.643-956.0	Pole binder single 100A	1	PC		
4	6.644-363.0	Fuse replacement 100A	1	PC		
5	2.815-100.0	Battery kit Gel 2x 12V/105Ah	1	SET	105Ah	MAINTENANCE-FREE
6	5.394-852.0	Covering cap battery terminal	1	PC		



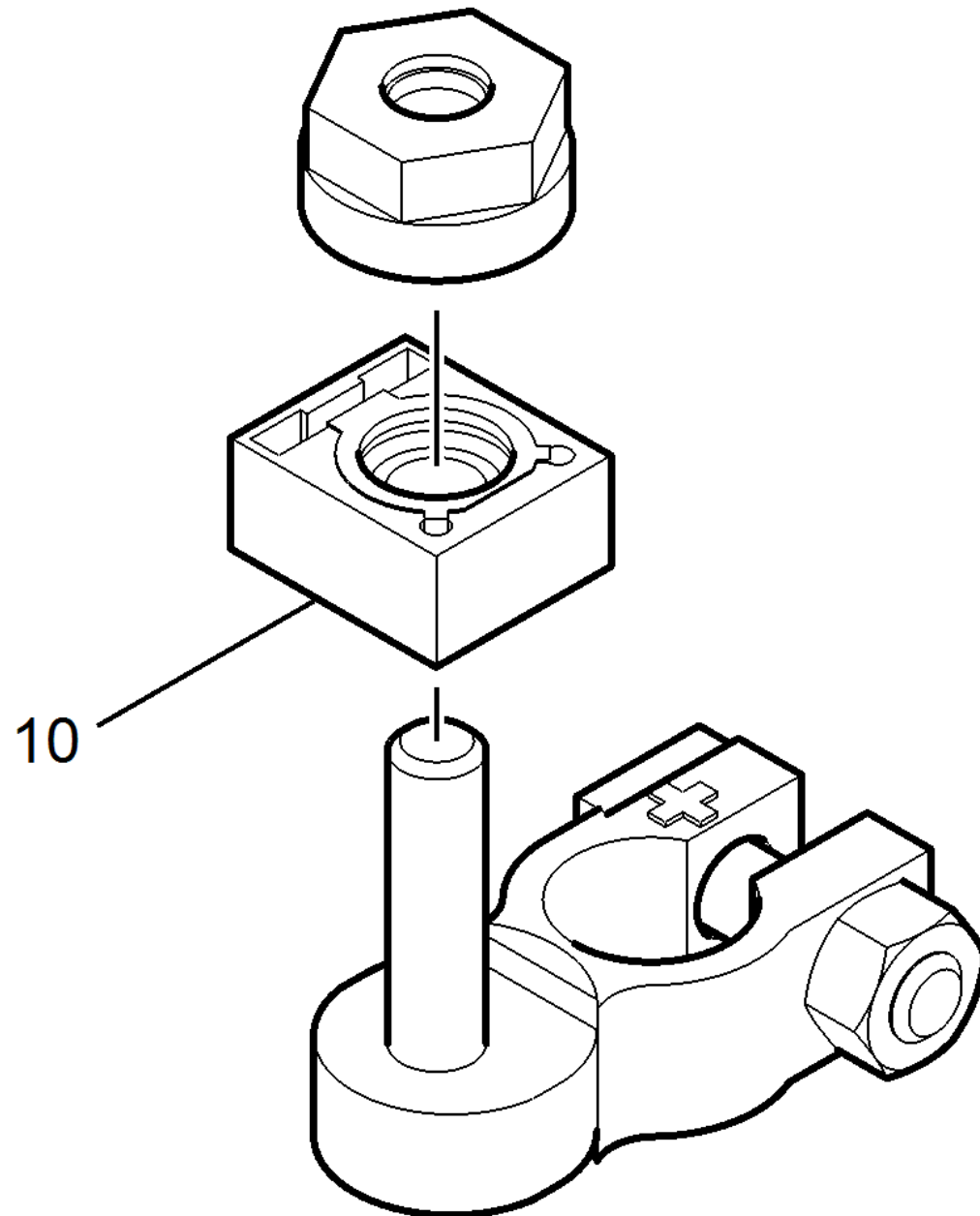
3 Pole binder single 100A (6.643-956.0)

POS	Article no.	Description	Quantity	Unit
10	6.644-363.0	Fuse replacement 100A	1	PC



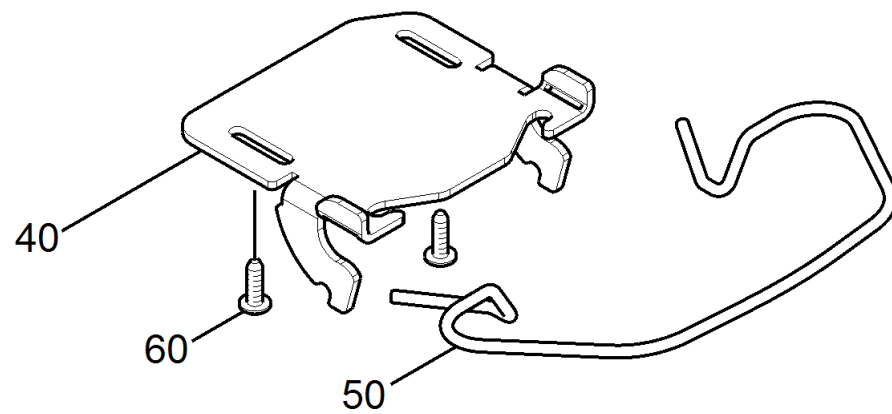
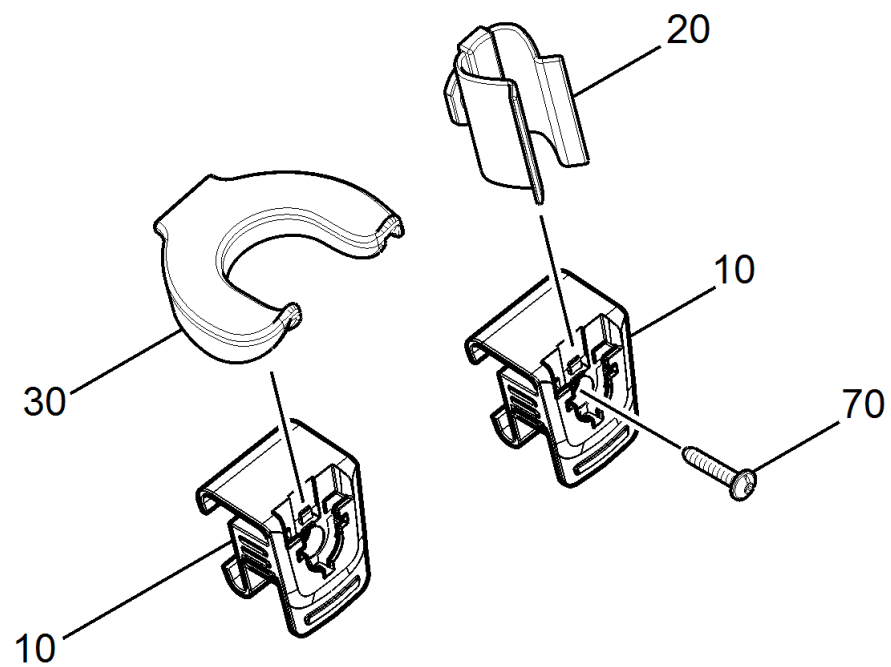
720 Battery kit 80 Ah wartungsarm (4.035-407.0)

POS	Article no.	Description	Quantity	Unit	Remark	Foot note text
2	6.649-879.0	Cable battery 25 mm ² . 160 mm	1	PC		
3	6.643-956.0	Pole binder single 100A	1	PC		
4	6.644-363.0	Fuse replacement 100A	1	PC		
5	6.654-097.0	Battery low-maintenance 12V 80AH	2	PC	80Ah	LOW-MAINTENANCE
6	5.394-852.0	Covering cap battery terminal	1	PC		



3 Pole binder single 100A (6.643-956.0)

POS	Article no.	Description	Quantity	Unit
10	6.644-363.0	Fuse replacement 100A	1	PC

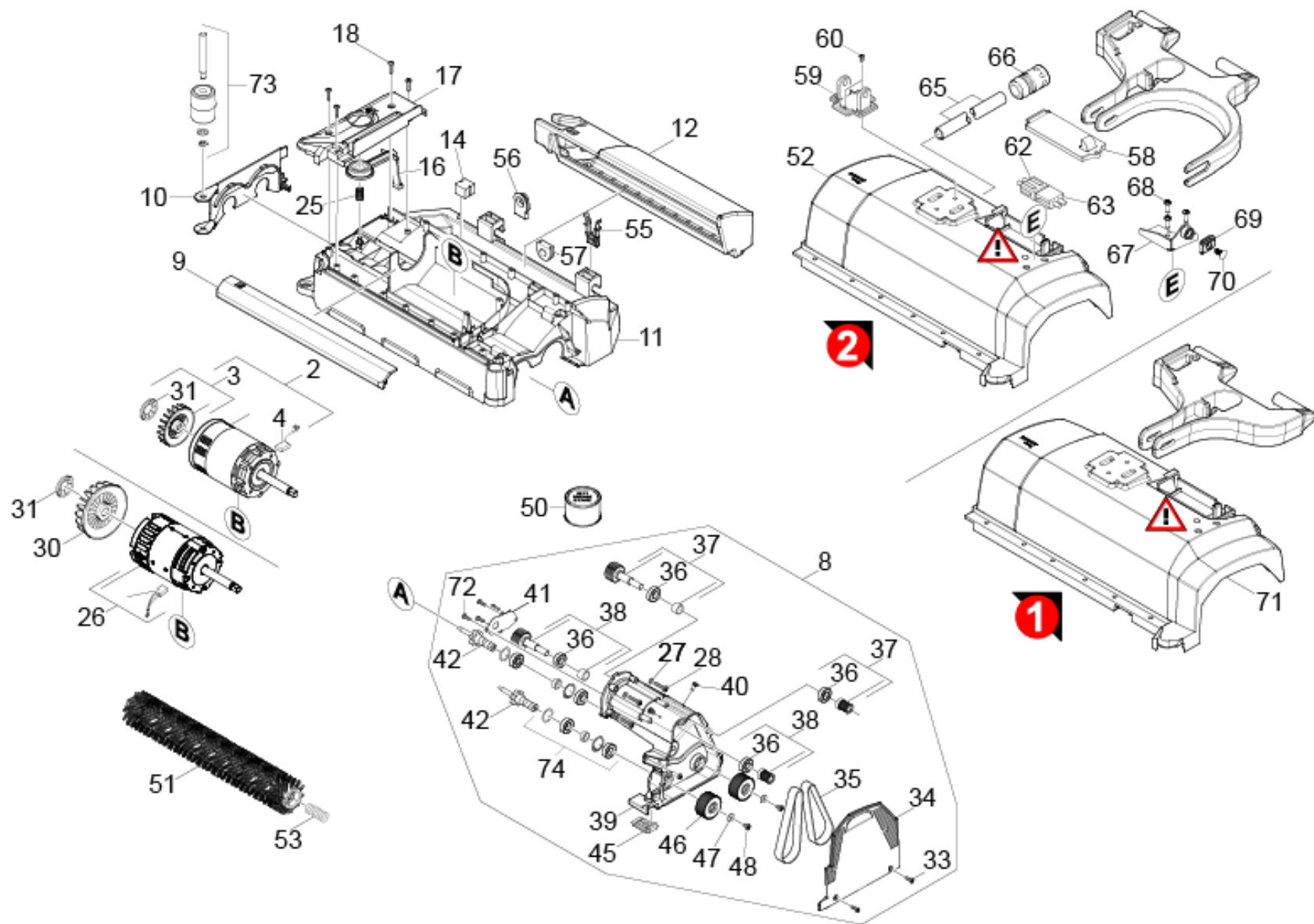


900 Set Homebase Mop

POS	Article no.	Description	Quantity	Unit
10	5.035-488.0	Adapter Homebase	2	PC
20	6.980-078.0	Holder handhold grey	1	PC
30	6.980-080.0	Holder bottle	1	PC
40	5.035-655.0	Plate mop bracket	1	PC
50	5.035-656.0	Retaining bracket mop bracket	1	PC
60	7.303-107.0	Screw 5x16 -10.9-P2R (K-In6Rd)	2	PC
70	7.303-109.0	Screw 5x25 -10.9-R2R (In6Rd)	1	PC

1000 Brush-head R 55 W

POS	Description	Quantity	Unit
10	Power brush counter rotation BR	1	PC
20	Roll pad	1	PC



10 Power brush counter rotation BR

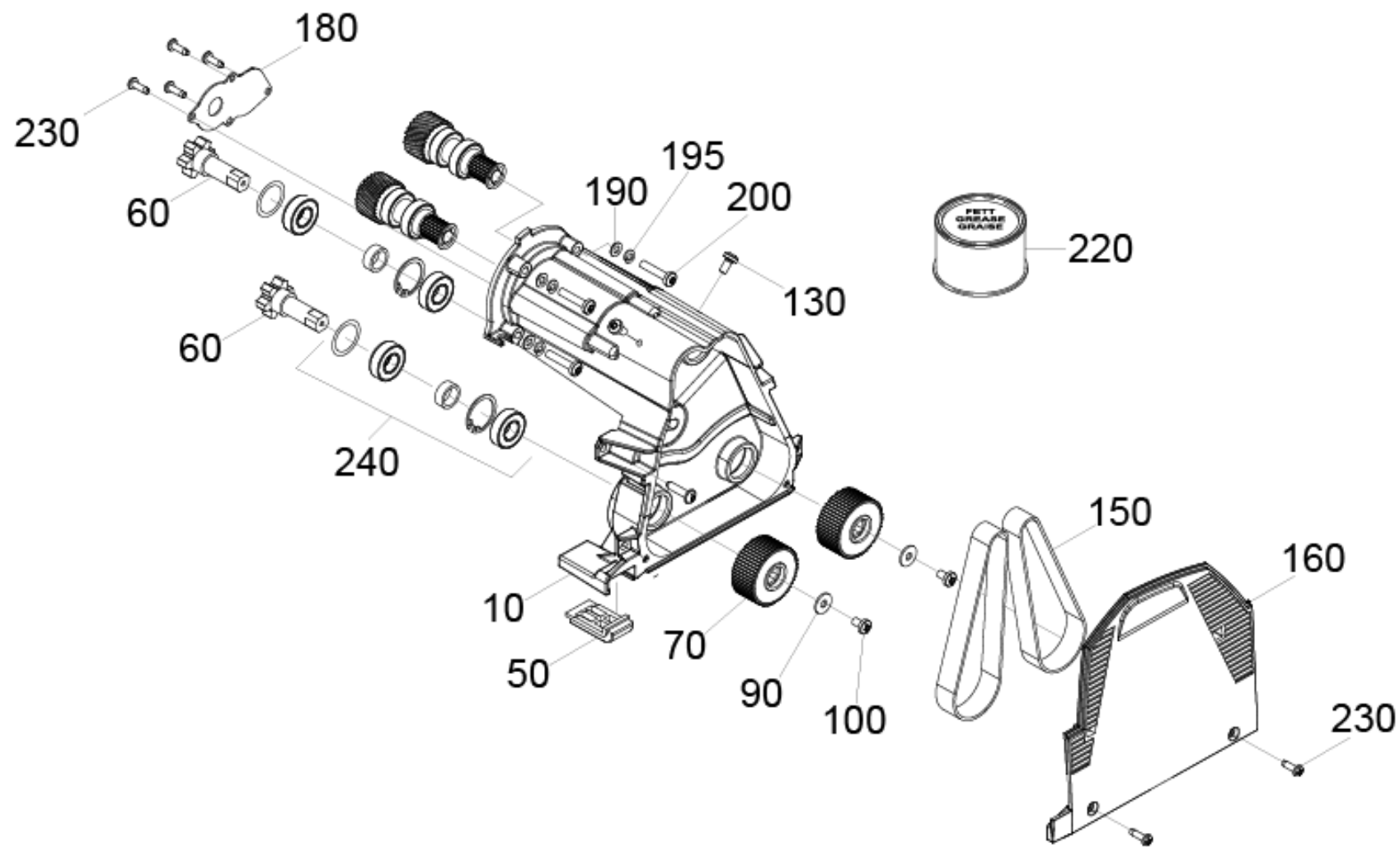
POS	Article no.	Description	Quantity	Unit	Remark	Foot note text
2	4.035-428.0	Direct current motor replacement	1	PC	Hengye/24V	
3	6.610-027.0	Blower wheel only for replacement Hengye	1	PC	Hengye	
4	6.610-026.0	Carbon brush set	1	PC	Hengye	
8	4.035-004.0	Gear complete counter rotation	1	PC		
9	5.035-403.0	Strip water distributor R 55	1	PC		
10	5.035-393.0	Brushes retainer	1	PC		
11	5.035-389.0	Housing bottom part R 55	1	PC		
12	5.035-399.0	Sweep tank R 55	1	PC		
14	5.035-447.0	Plug	1	PC		
16	5.035-458.0	Brushes locking part	1	PC		
17	5.035-405.0	Housing top part locking part	1	PC		
18	7.303-113.0	Screw 6x25 -10.9-R2R (In6Rd)	8	PC		
25	6.330-450.0	Pressure spring	1	PC		
26	4.035-428.0	Direct current motor replacement	1	PC	ATAS/24V	
27	7.312-026.0	Washer 6 -A2 ISO 7089	4	PC		
28	7.306-196.0	Screw M 6x30-A2-70 (IN6RD)	4	PC		
30	6.613-025.0	Blower wheel	1	PC	ATAS	
31	6.343-149.0	Quick-fastener	1	PC		
33	7.303-039.0	Screw M5x16 -St-P2R (In6Rd)	2	PC		
34	5.035-385.0	Cover gear	1	PC		
35	4.035-005.0	Toothed belt replacement	2	PC		
36	7.401-115.0	Ball bearing 6002-2RS -WAE LZLAGST DIN 62	4	PC		
37	4.035-380.0	Shaft gear left	1	PC		
38	4.035-381.0	Shaft gear right	1	PC		
39	5.035-384.0	Carrier motor worked R	1	PC		
40	7.306-089.0	Screw M6x12 -8.8-R2R (In6Rd)	1	PC		
41	5.035-684.0	Covering cap gear	1	PC		
42	5.101-104.0	Driveshaft	2	PC		
45	5.056-010.0	Rocker BR-VS	1	PC		
46	5.625-507.0	Belt pulley 56Z	2	PC		
47	7.312-276.0	Washer 6 -200HV-A2E ISO7093-1	2	PC		
48	6.304-180.0	Screw M6X12-A2/70-ISO7045 (IN6RD)	2	PC		

10 Power brush counter rotation BR

POS	Article no.	Description	Quantity	Unit	Remark	Foot note text
50	6.288-095.0	Viscous oil	1	PC		
51	4.035-184.0	ROLLER BRUSH COMPLETE FOR REPLACEMENT BR	2	PC		
51	4.762-409.0	Roller brush complete white BR 55/40	2	PC		
51	4.762-410.0	Roller brush complete orange BR 55/40	2	PC		
51	4.762-411.0	Roller brush complete green BR 55/40	2	PC		
51	4.762-412.0	Roller brush complete black BR 55/40	2	PC		
52	5.035-390.0	Housing top part R 55	1	PC		
53	5.332-114.0	Helical spring	1	PC		
55	5.035-424.0	Snap-fit	2	PC		
56	5.035-448.0	Wire protecting sleeve	1	PC		
57	6.648-064.0	Cable bushing	1	PC		
58	5.035-386.0	Cover electric box	1	PC		
59	5.035-604.0	Suspension seal brush-head BD	1	PC		
60	7.303-038.0	Screw M5x12 -St-P2R (In6Rd)	2	PC		
62	6.646-034.0	Set plug complete rot, 75A , Q-6mm ²	1	PC		
63	6.646-033.0	Set plug complete blau , 75A , Q-6mm ²	1	PC		
65	6.390-892.0	Spiral hose NW12	1	m		TO ORDER AS CUT GOODS
66	2.645-191.0	Hose coupling entry Universal	1	PC		
67	5.035-782.0	Suspension brush-head R	1	PC		VERSION 2
68	7.303-112.0	Screw 6x20 -10.9-R2R (In6Rd)	3	PC		VERSION 2
69	5.035-673.0	Sliding shoe	1	PC		VERSION 2
70	6.343-261.0	Quick-fastener	1	PC		VERSION 2
71	2.882-737.0	Conversion kit R55-Kopf B40	1	PC	R55	VERSION 1
72	7.303-038.0	Screw M5x12 -St-P2R (In6Rd)	4	PC		
73	4.035-610.0	Set deflector roll	1	PC		
74	4.035-611.0	Set transmission power brush	2	PC		

2 Direct current motor replacement (4.035-428.0)

POS	Article no.	Description	Quantity	Unit
10	6.610-026.0	Carbon brush set	1	PC
20	6.610-027.0	Blower wheel only for replacement Hengye	1	PC

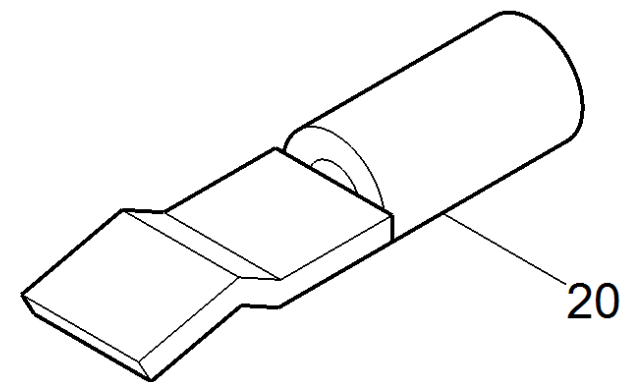
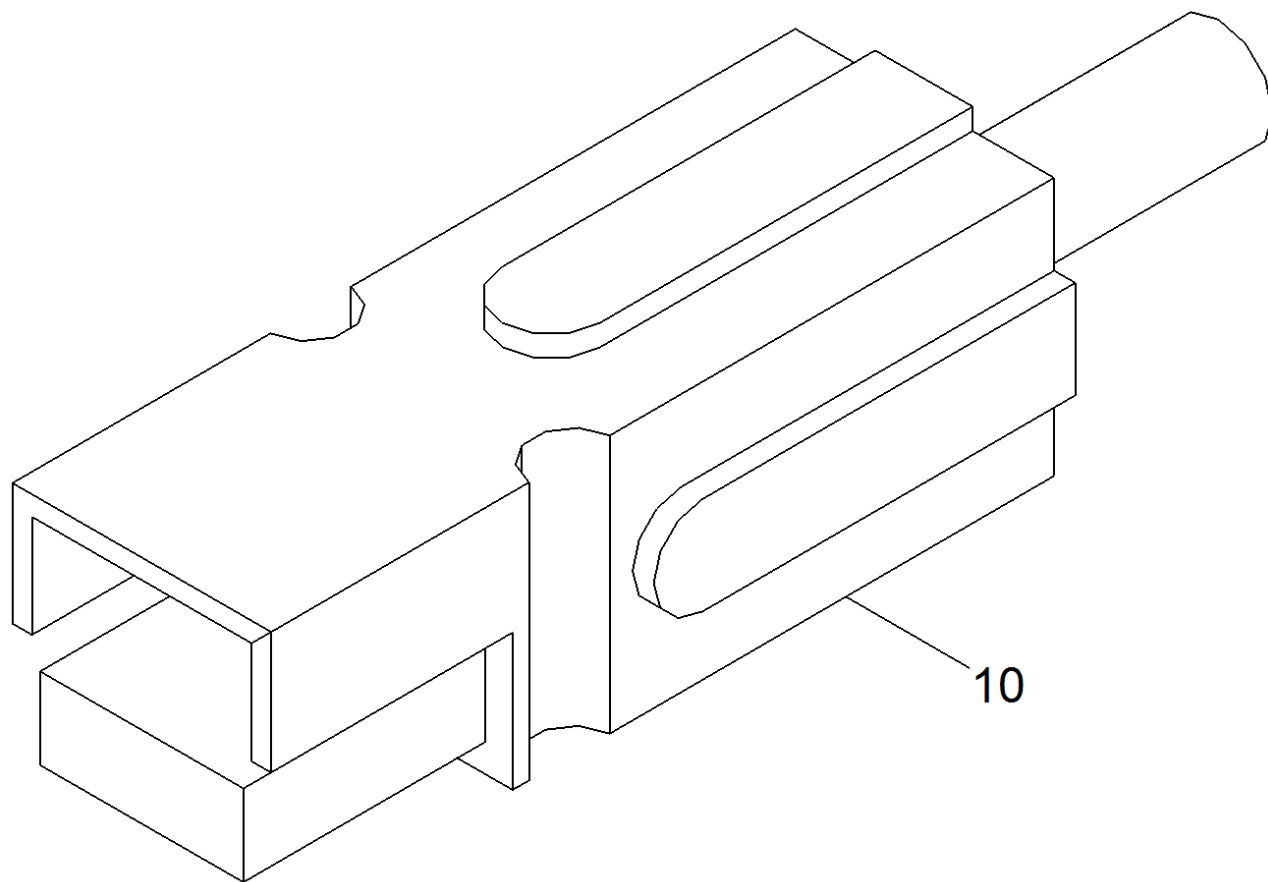


8 Gear complete counter rotation (4.035-004.0)

POS	Article no.	Description	Quantity	Unit
10	5.035-384.0	Carrier motor worked R	1	PC
50	5.056-010.0	Rocker BR-VS	1	PC
60	5.101-104.0	Driveshaft	2	PC
70	5.625-507.0	Belt pulley 56Z	2	PC
90	7.312-276.0	Washer 6 -200HV-A2E ISO7093-1	2	PC
100	6.304-180.0	Screw M6X12-A2/70-ISO7045 (IN6RD)	2	PC
120	4.035-381.0	Shaft gear right	1	PC
130	7.306-089.0	Screw M6x12 -8.8-R2R (In6Rd)	2	PC
140	4.035-380.0	Shaft gear left	1	PC
150	4.035-005.0	Toothed belt replacement	2	PC
160	5.035-385.0	Cover gear	1	PC
180	5.035-684.0	Covering cap gear	1	PC
190	7.312-026.0	Washer 6 -A2 ISO 7089	4	PC
195	7.313-003.0	Spring washer B 6-FSt-A3E DIN 127	4	PC
200	7.306-196.0	Screw M 6x30-A2-70 (IN6RD)	4	PC
220	6.288-095.0	Viscous oil	1	PC
230	7.303-038.0	Screw M5x12 -St-P2R (In6Rd)	6	PC
240	4.035-611.0	Set transmission power brush	2	PC

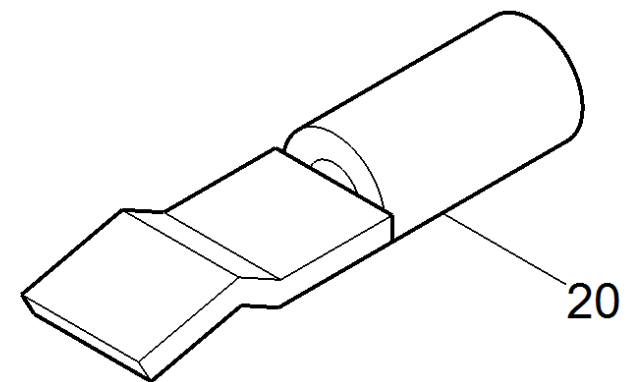
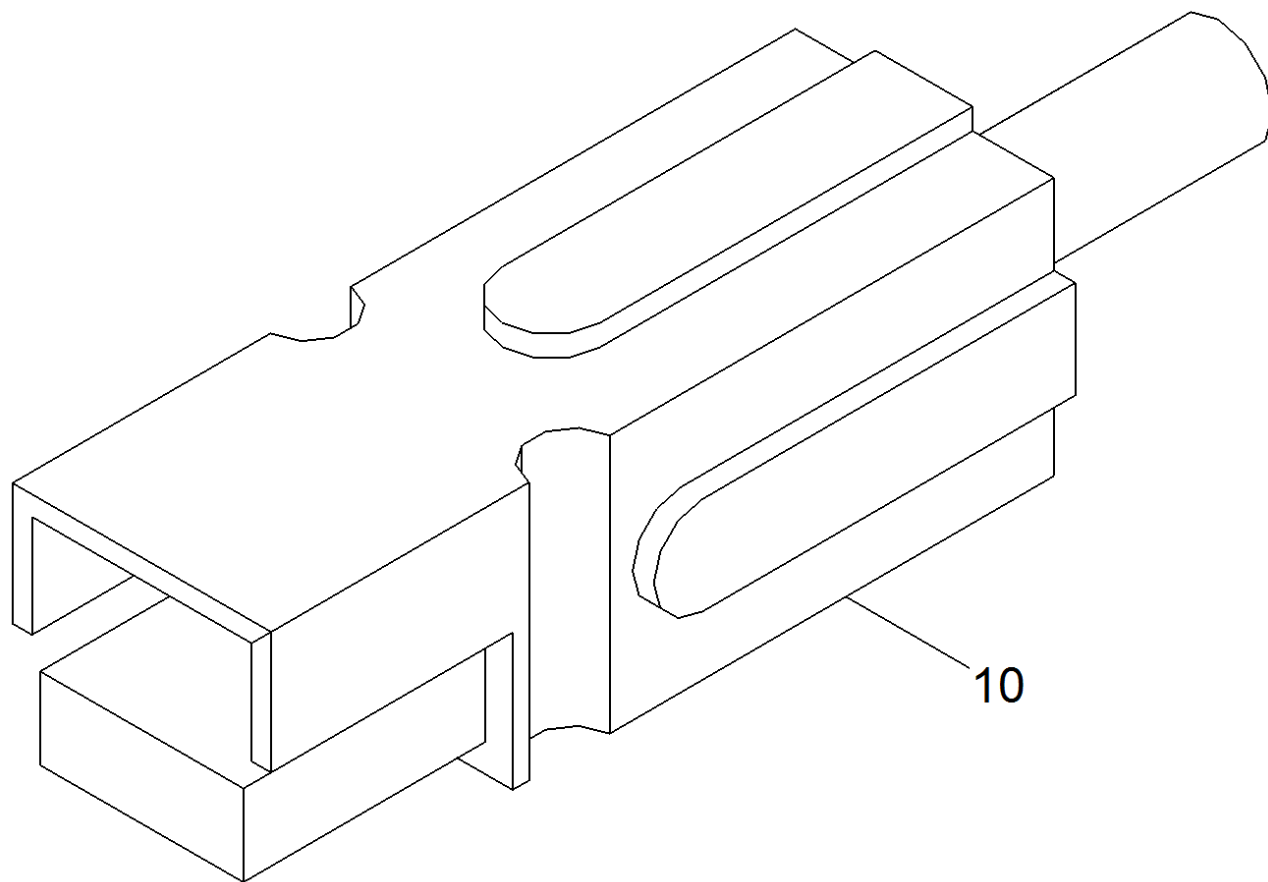
26 Direct current motor replacement (4.035-428.0)

POS	Article no.	Description	Quantity	Unit
10	6.610-026.0	Carbon brush set	1	PC
20	6.610-027.0	Blower wheel only for replacement Hengye	1	PC



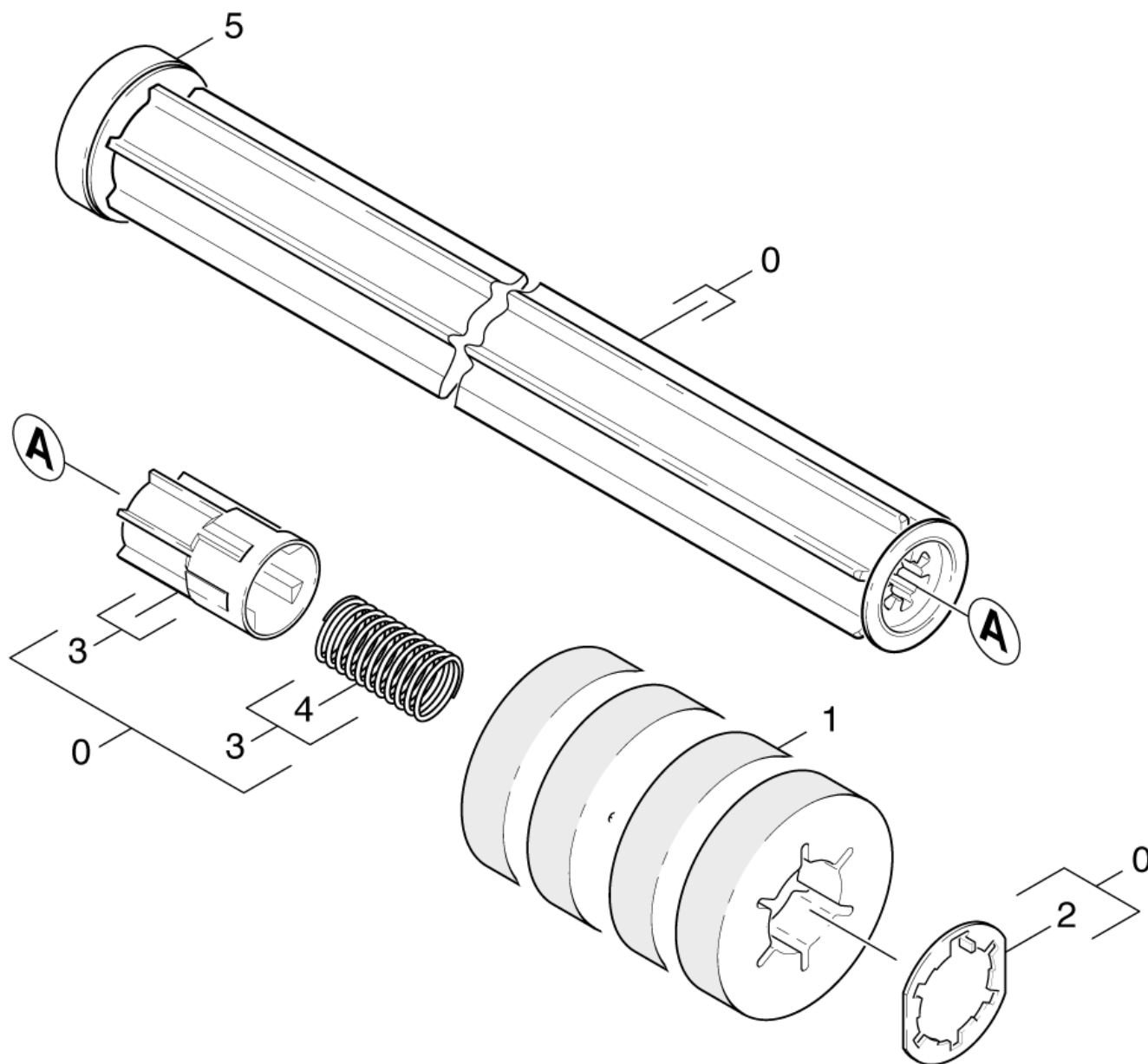
62 Set plug complete rot, 75A , Q-6mm² (6.646-034.0)

POS	Article no.	Description	Quantity	Unit
10	6.643-043.0	Plug housing red 75 A	1	PC
20	6.646-979.0	Switch contact 6 mm ²	1	PC



63 Set plug complete blau , 75A , Q-6mm² (6.646-033.0)

POS	Article no.	Description	Quantity	Unit
10	6.643-045.0	Plug housing blue 75 A	1	PC
20	6.646-979.0	Switch contact 6 mm ²	1	PC



20 Roll pad

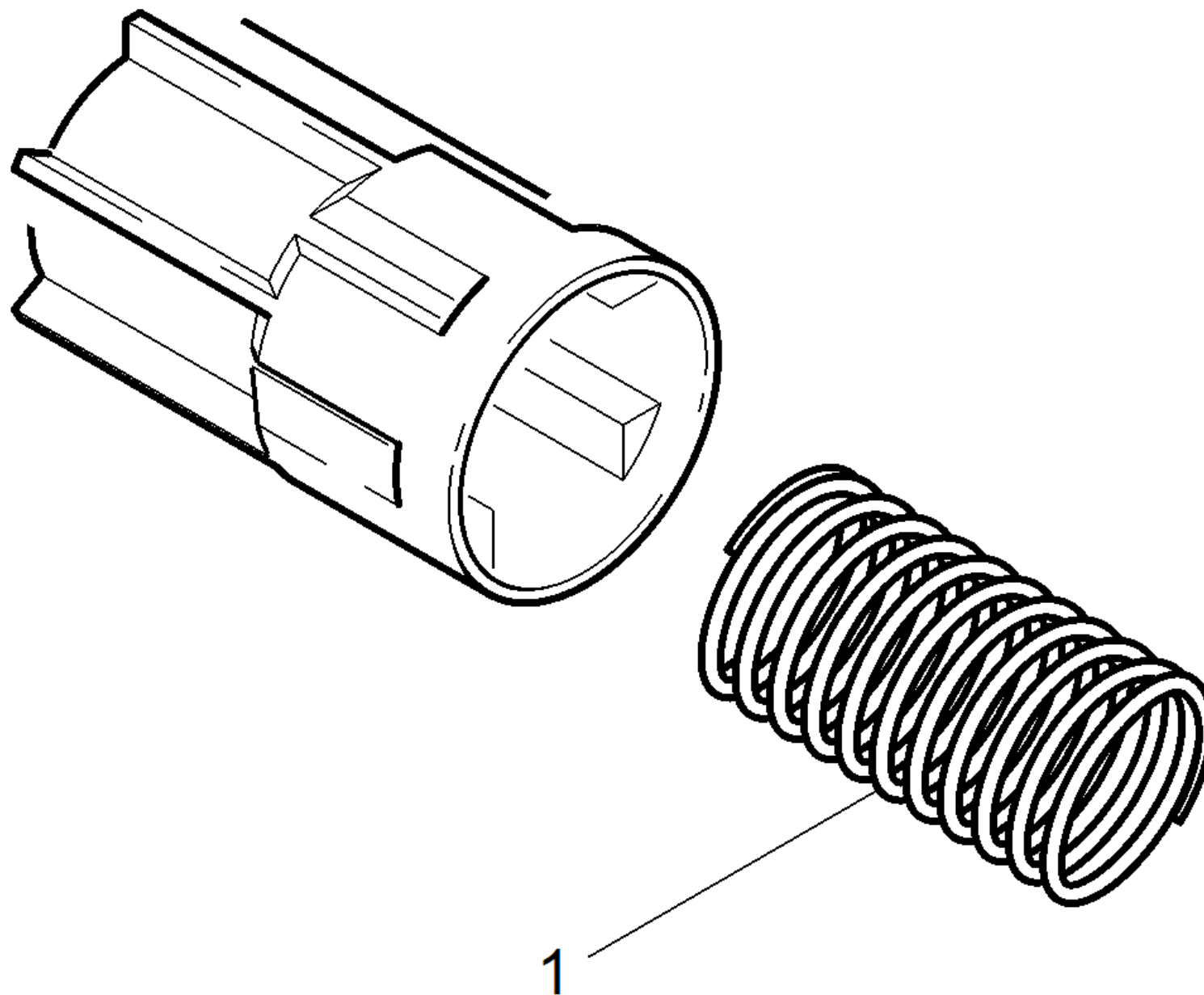
POS	Article no.	Description	Quantity	Unit
0	4.762-415.0	Roll Pad BR55	1	PC
0	9.753-054.0	Pad disk complete D51	1	PC
1	6.369-734.0	Pad red with sleeve	1	ZSA
1	9.302-688.0	PAD GREEN DIAM.96mm (SET 25 UNIT)	2	PC
1	8.635-692.0	ROLLER, STRIPPING, 22" CYLINDRICAL	1	PC
1	6.371-247.0	Diamond pad yellow set 5x Ø280	1	PC
1	6.371-246.0	Diamond pad white set 5x Ø280	1	PC
1	6.371-233.0	Diamond pad green set 5x Ø280	1	PC
1	6.369-735.0	Pad white with sleeve	1	ZSA
1	6.369-733.0	Pad green with sleeve	1	ZSA
1	6.369-732.0	Pad yellow with sleeve	1	ZSA
1	6.369-456.0	Pad red 105-20ST	1	ZSA
1	6.369-455.0	Pad green 105-20ST	1	ZSA
1	6.369-454.0	Pad yellow 105-20ST	1	ZSA
1	4.114-010.0	Micro-fibre roll complete BR 55/40	1	PC
1	4.114-005.0	Micro-fibre roll complete BR 55	1	PC
2	4.115-003.0	Washer closure	1	PC
3	5.120-313.0	Hub pad roll BR VS	1	PC
4	5.332-469.0	Helical spring	1	PC
5	4.038-677.0	Sheet metal component thread deflector	1	PC

1 PAD GREEN DIAM.96mm (SET 25 UNIT) (9.302-688.0)

POS	Article no.	Description	Quantity	Unit
1	9.380-066.0	PAD - GREEN DIAM.96mm	25	PC
3		PLASTIC BAG 276 x 450 PE	1	PC

1 PAD - GREEN DIAM.96mm (9.380-066.0)

POS	Article no.	Description	Quantity	Unit
1	9.397-012.0	GREEN PU FOR PAD 220MM	55,555	ZST

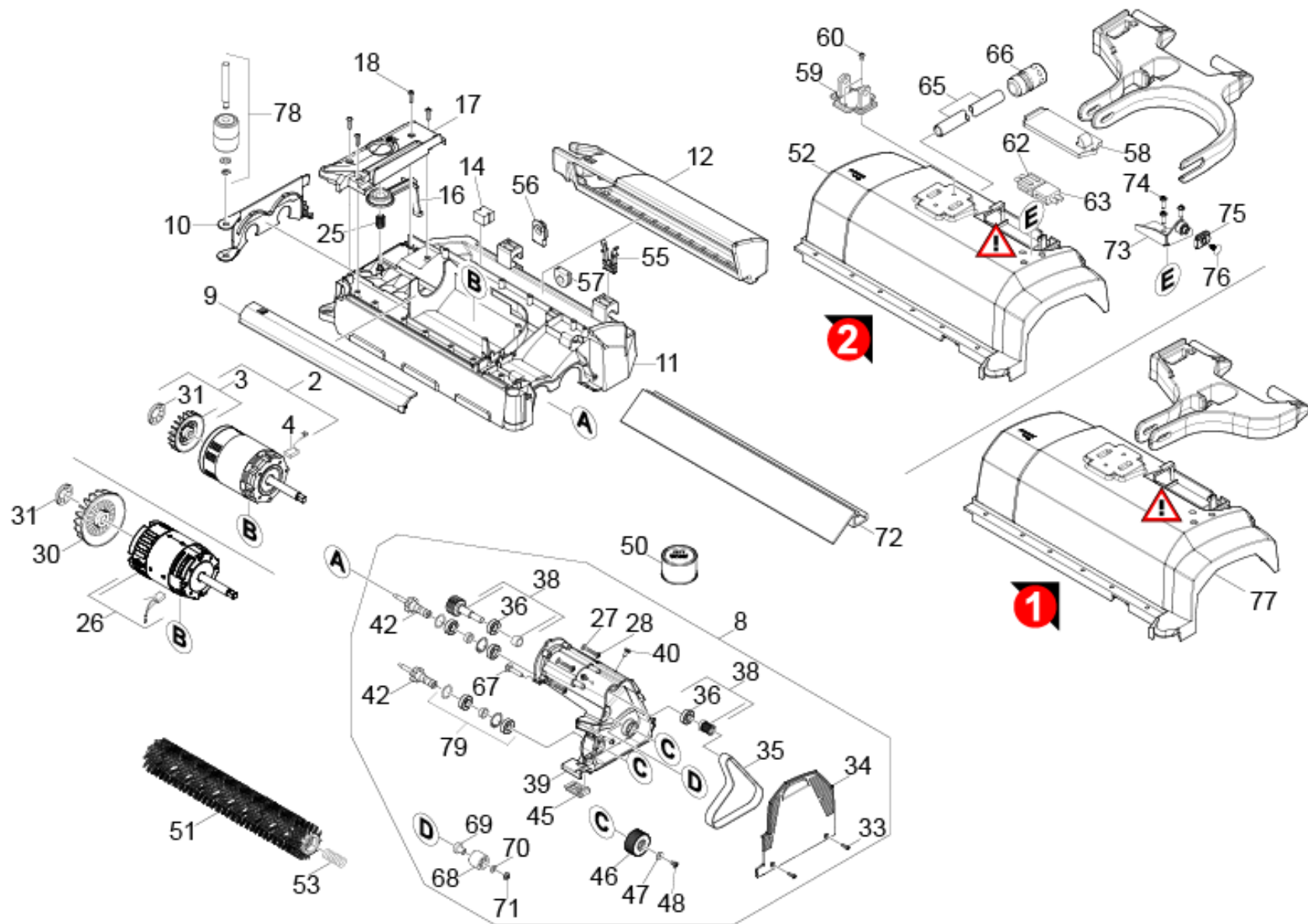


3 Hub pad roll BR VS (5.120-313.0)

POS	Article no.	Description	Quantity	Unit
1	5.332-469.0	Helical spring	1	PC

1010 Brush-head R 55 C (2.763-013.7)

POS	Article no.	Description	Quantity	Unit
10		Power brush synchronous run BR	1	PC
20		Roll pad	1	PC
30	4.036-075.0	Conversion kit D51/R55C B60 Bp	1	PC



10 Power brush synchronous run BR

POS	Article no.	Description	Quantity	Unit	Remark	Foot note text
2	4.035-428.0	Direct current motor replacement	1	PC	Hengye/24V	
3	6.610-027.0	Blower wheel only for replacement Hengye	1	PC	Hengye	
4	6.610-026.0	Carbon brush set	1	PC	Hengye	
8	4.035-502.0	Gear complete synchronous run	1	PC		
9	5.035-403.0	Strip water distributor R 55	1	PC		
10	5.035-393.0	Brushes retainer	1	PC		
11	5.035-389.0	Housing bottom part R 55	1	PC		
12	5.035-399.0	Sweep tank R 55	1	PC		
14	5.035-447.0	Plug	1	PC		
16	5.035-458.0	Brushes locking part	1	PC		
17	5.035-405.0	Housing top part locking part	1	PC		
18	7.303-113.0	Screw 6x25 -10.9-R2R (In6Rd)	8	PC		
25	6.330-450.0	Pressure spring	1	PC		
26	4.035-428.0	Direct current motor replacement	1	PC	ATAS/24V	
27	7.312-026.0	Washer 6 -A2 ISO 7089	4	PC		
28	7.306-196.0	Screw M 6x30-A2-70 (IN6RD)	4	PC		
30	6.613-025.0	Blower wheel	1	PC	ATAS	
31	6.343-149.0	Quick-fastener	1	PC		
33	7.303-038.0	Screw M5x12 -St-P2R (In6Rd)	2	PC		
34	5.035-385.0	Cover gear	1	PC		
35	4.035-425.0	Toothed belt replacement	1	PC		
36	7.401-115.0	Ball bearing 6002-2RS -WAE LZLAGST DIN 62	2	PC		
38	4.035-423.0	Shaft replacement synchronous run	1	PC		
39	5.035-384.0	Carrier motor worked R	1	PC		
40	7.306-089.0	Screw M6x12 -8.8-R2R (In6Rd)	1	PC		
42	5.101-104.0	Driveshaft	2	PC		
45	5.056-010.0	Rocker BR-VS	1	PC		
46	5.625-507.0	Belt pulley 56Z	2	PC		
47	7.312-276.0	Washer 6 -200HV-A2E ISO7093-1	2	PC		
48	6.304-180.0	Screw M6X12-A2/70-ISO7045 (IN6RD)	2	PC		
50	6.288-095.0	Viscous oil	1	PC		
51	4.035-184.0	ROLLER BRUSH COMPLETE FOR	2	PC		

10 Power brush synchronous run BR

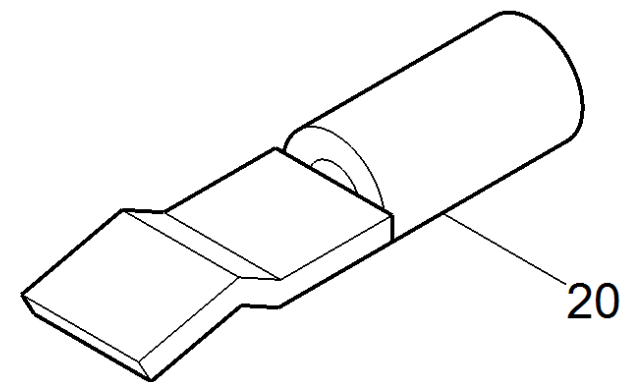
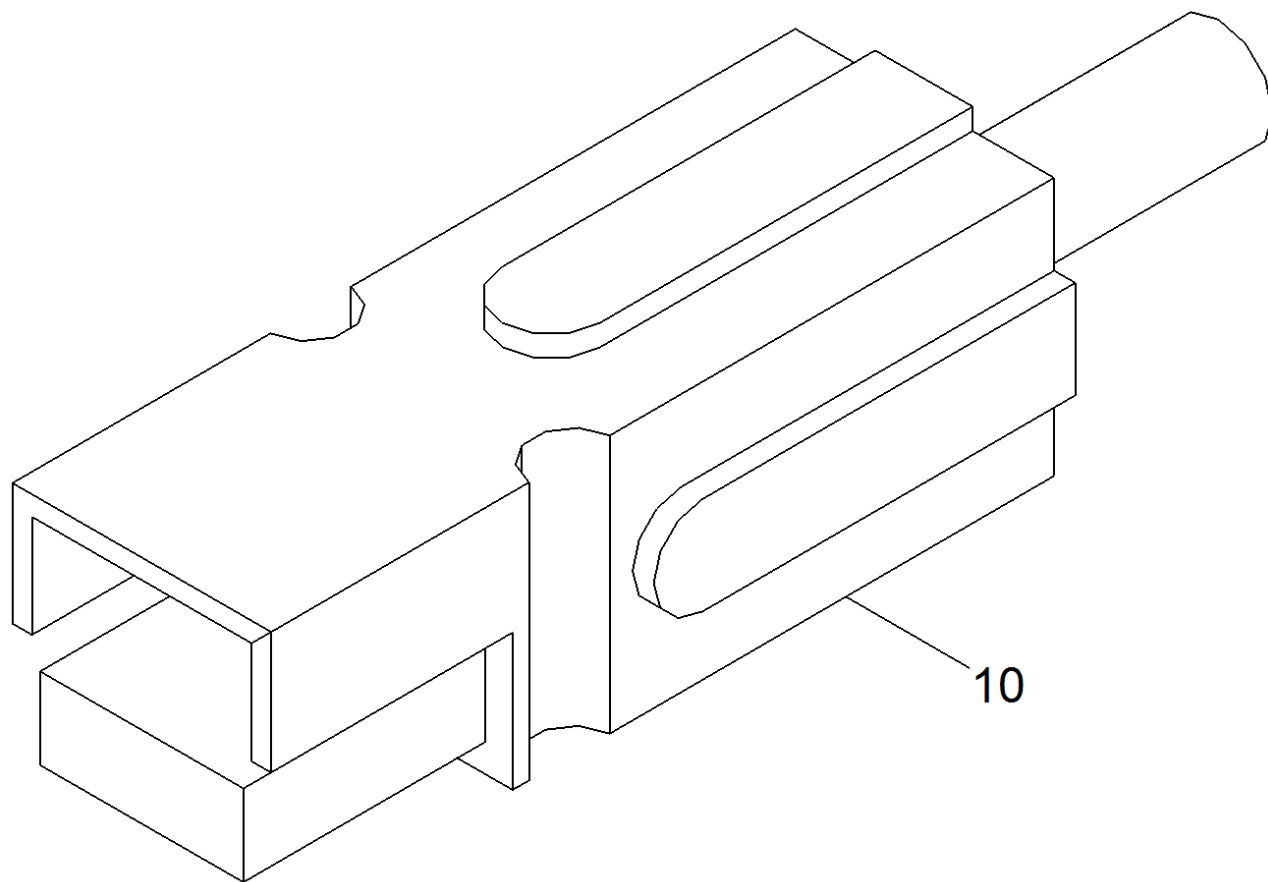
POS	Article no.	Description	Quantity	Unit	Remark	Foot note text
		REPLACEMENT BR				
51	4.762-409.0	Roller brush complete white BR 55/40	2	PC		
51	4.762-410.0	Roller brush complete orange BR 55/40	2	PC		
51	4.762-411.0	Roller brush complete green BR 55/40	2	PC		
51	4.762-412.0	Roller brush complete black BR 55/40	2	PC		
52	5.035-390.0	Housing top part R 55	1	PC		
53	5.332-114.0	Helical spring	1	PC		
55	5.035-424.0	Snap-fit	2	PC		
56	5.035-448.0	Wire protecting sleeve	1	PC		
57	6.648-064.0	Cable bushing	1	PC		
58	5.035-386.0	Cover electric box	1	PC		
59	5.035-604.0	Suspension seal brush-head BD	1	PC		
60	7.303-038.0	Screw M5x12 -St-P2R (In6Rd)	2	PC		
62	6.646-034.0	Set plug complete rot, 75A , Q-6mm ²	1	PC		
63	6.646-033.0	Set plug complete blau , 75A , Q-6mm ²	1	PC		
65	6.390-892.0	Spiral hose NW12	1	m		TO ORDER AS CUT GOODS
66	2.645-191.0	Hose coupling entry Universal	1	PC		
67	7.303-186.0	Saucer-head screw M8x40 -St-A0P DIN 603	1	PC		
68	4.250-083.0	Tension roller D = 33,5	1	PC		
69	5.110-700.0	Sleeve	1	PC		
70	7.312-017.0	Washer 8-A2 ISO 7089	1	PC		
71	7.311-427.0	Hexagon nut M8 -04-A2E DIN 985	1	PC		
72	5.035-401.0	Rubberlip synchronous run R 55	1	PC		
73	5.035-782.0	Suspension brush-head R	1	PC		VERSION 2
74	7.303-112.0	Screw 6x20 -10.9-R2R (In6Rd)	3	PC		VERSION 2
75	5.035-673.0	Sliding shoe	1	PC		VERSION 2
76	6.343-261.0	Quick-fastener	1	PC		VERSION 2
77	2.882-737.0	Conversion kit R55-Kopf B40	1	PC	R55	VERSION 1
78	4.035-610.0	Set deflector roll	1	PC		
79	4.035-611.0	Set transmission power brush	2	PC		

2 Direct current motor replacement (4.035-428.0)

POS	Article no.	Description	Quantity	Unit
10	6.610-026.0	Carbon brush set	1	PC
20	6.610-027.0	Blower wheel only for replacement Hengye	1	PC

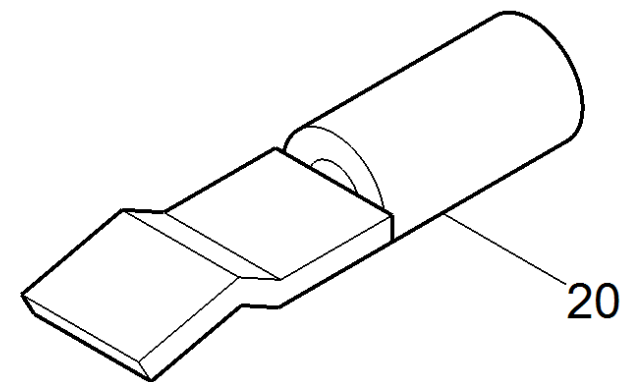
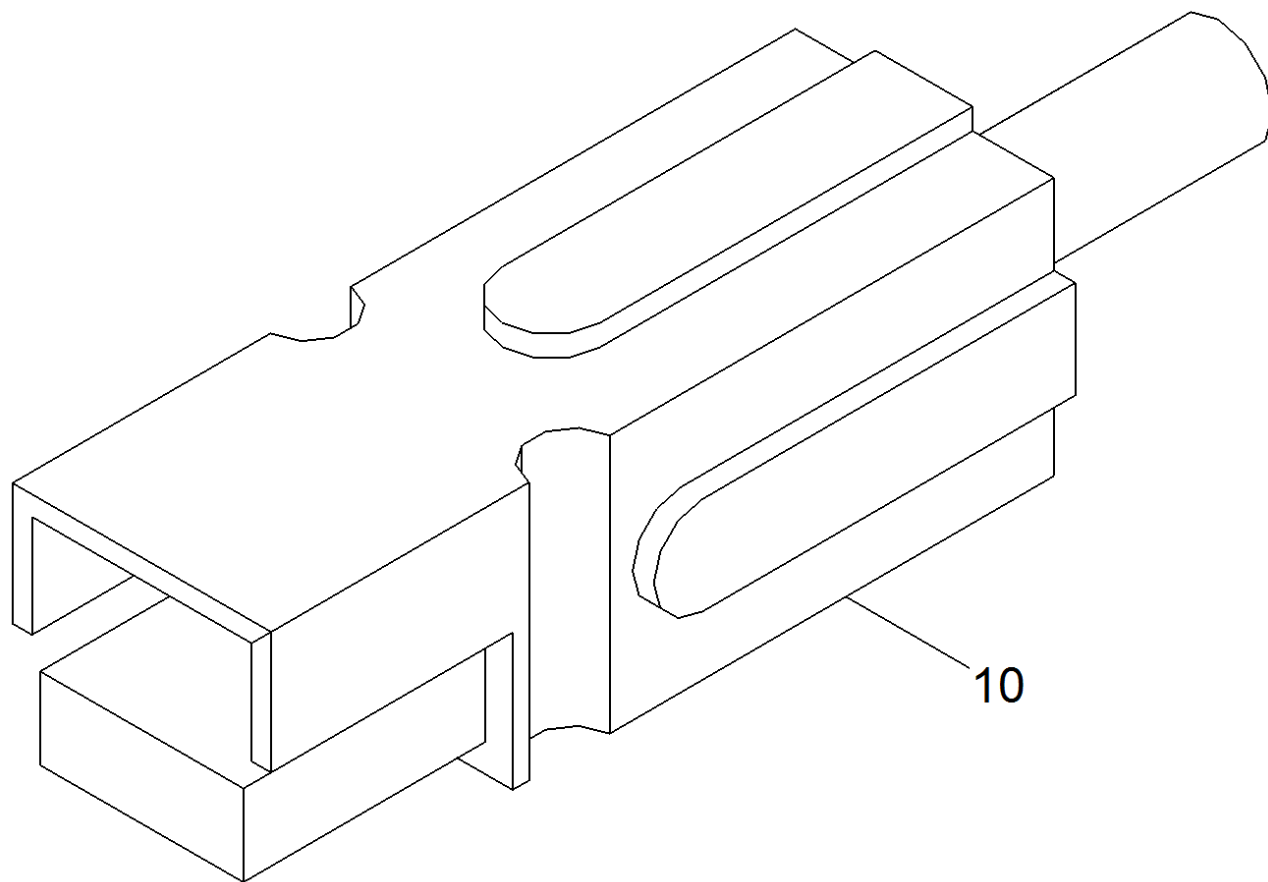
26 Direct current motor replacement (4.035-428.0)

POS	Article no.	Description	Quantity	Unit
10	6.610-026.0	Carbon brush set	1	PC
20	6.610-027.0	Blower wheel only for replacement Hengye	1	PC



62 Set plug complete rot, 75A , Q-6mm² (6.646-034.0)

POS	Article no.	Description	Quantity	Unit
10	6.643-043.0	Plug housing red 75 A	1	PC
20	6.646-979.0	Switch contact 6 mm ²	1	PC

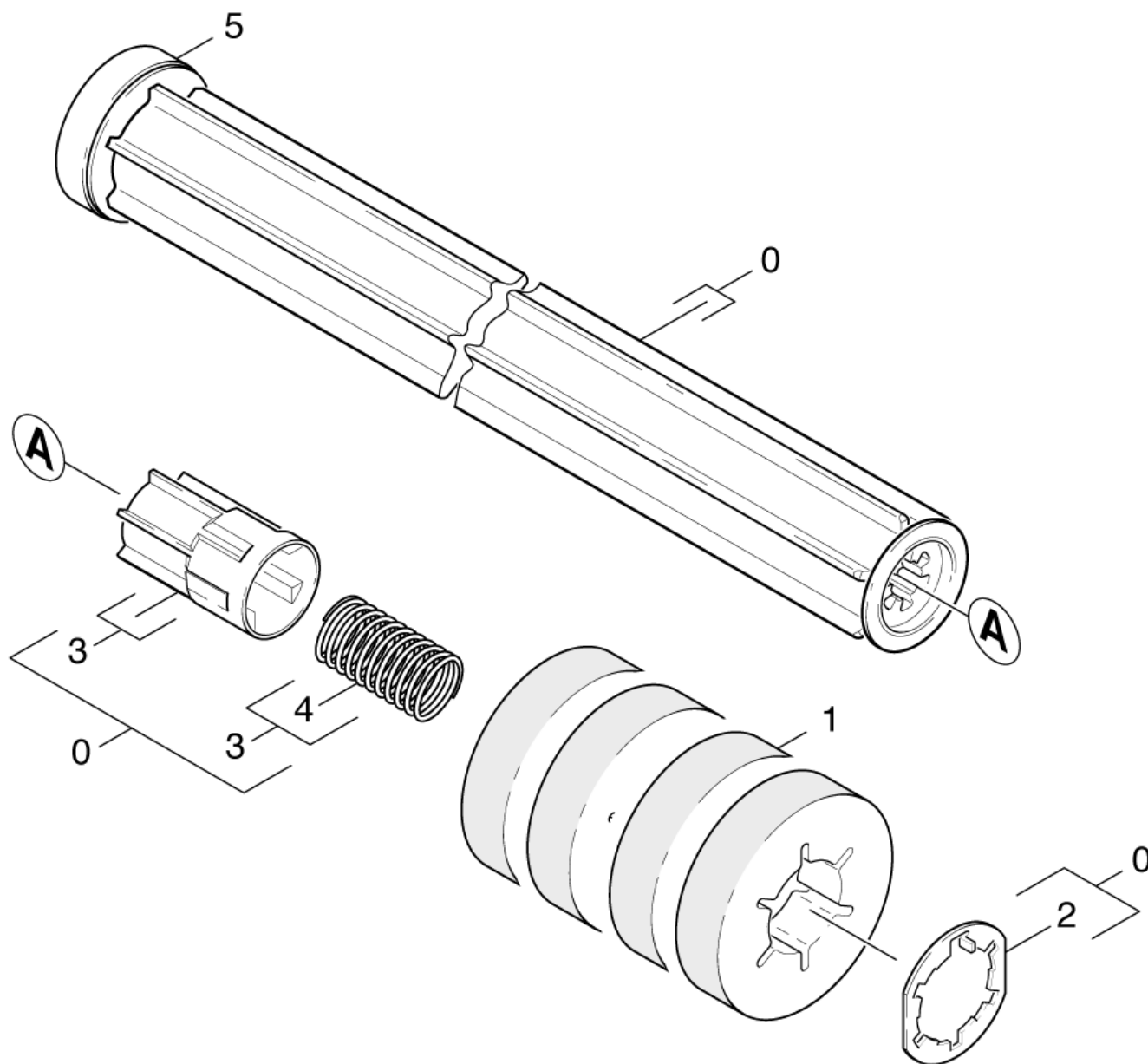


63 Set plug complete blau , 75A , Q-6mm² (6.646-033.0)

POS	Article no.	Description	Quantity	Unit
10	6.643-045.0	Plug housing blue 75 A	1	PC
20	6.646-979.0	Switch contact 6 mm ²	1	PC

68 Tension roller D = 33,5 (4.250-083.0)

POS	Article no.	Description	Quantity	Unit
10	6.401-363.0	Ball bearing	2	PC



20 Roll pad

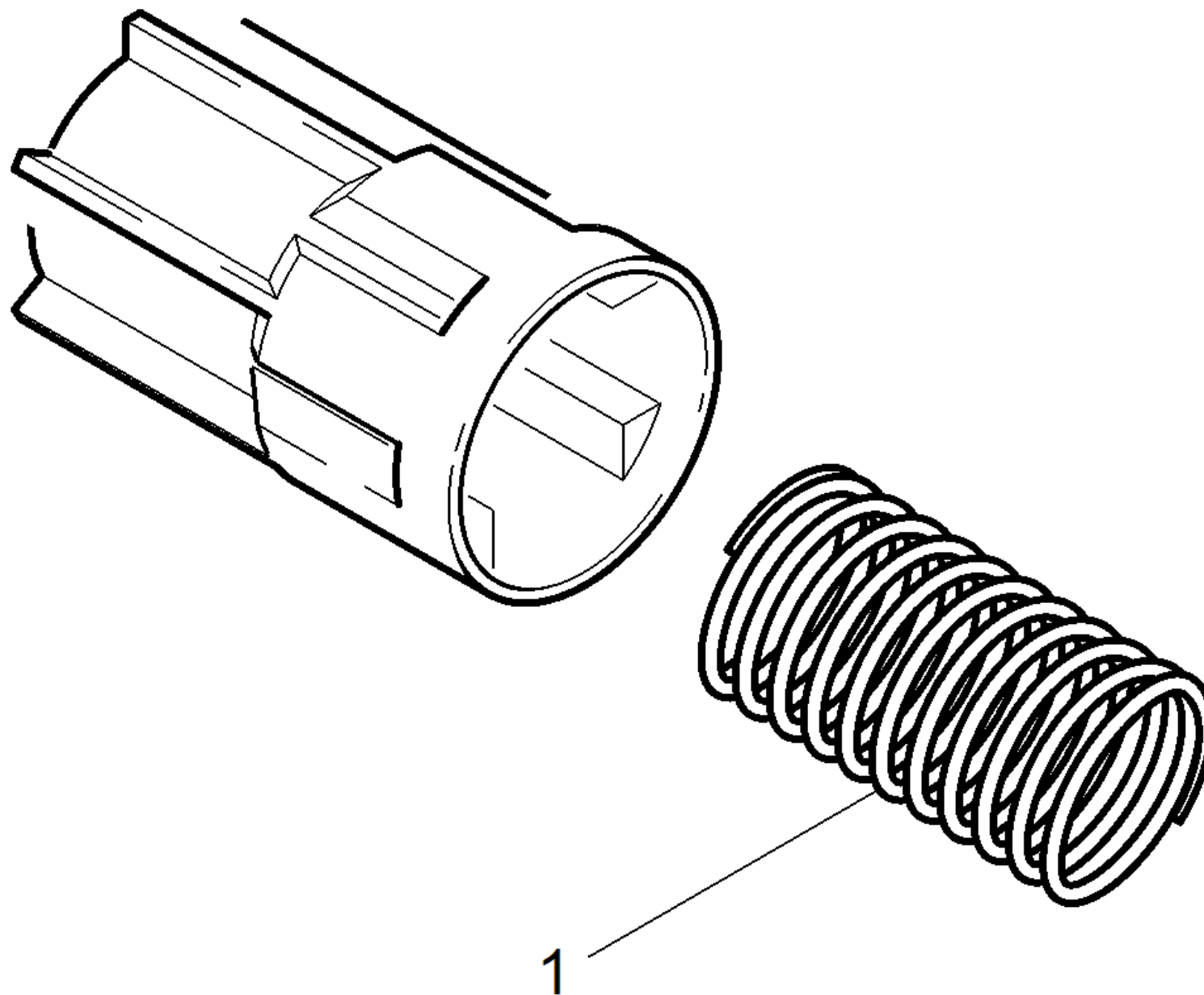
POS	Article no.	Description	Quantity	Unit
0	4.762-415.0	Roll Pad BR55	1	PC
0	9.753-054.0	Pad disk complete D51	1	PC
1	6.369-734.0	Pad red with sleeve	1	ZSA
1	9.302-688.0	PAD GREEN DIAM.96mm (SET 25 UNIT)	2	PC
1	8.635-692.0	ROLLER, STRIPPING, 22" CYLINDRICAL	1	PC
1	6.371-247.0	Diamond pad yellow set 5x Ø280	1	PC
1	6.371-246.0	Diamond pad white set 5x Ø280	1	PC
1	6.371-233.0	Diamond pad green set 5x Ø280	1	PC
1	6.369-735.0	Pad white with sleeve	1	ZSA
1	6.369-733.0	Pad green with sleeve	1	ZSA
1	6.369-732.0	Pad yellow with sleeve	1	ZSA
1	6.369-456.0	Pad red 105-20ST	1	ZSA
1	6.369-455.0	Pad green 105-20ST	1	ZSA
1	6.369-454.0	Pad yellow 105-20ST	1	ZSA
1	4.114-010.0	Micro-fibre roll complete BR 55/40	1	PC
1	4.114-005.0	Micro-fibre roll complete BR 55	1	PC
2	4.115-003.0	Washer closure	1	PC
3	5.120-313.0	Hub pad roll BR VS	1	PC
4	5.332-469.0	Helical spring	1	PC
5	4.038-677.0	Sheet metal component thread deflector	1	PC

1 PAD GREEN DIAM.96mm (SET 25 UNIT) (9.302-688.0)

POS	Article no.	Description	Quantity	Unit
1	9.380-066.0	PAD - GREEN DIAM.96mm	25	PC
3		PLASTIC BAG 276 x 450 PE	1	PC

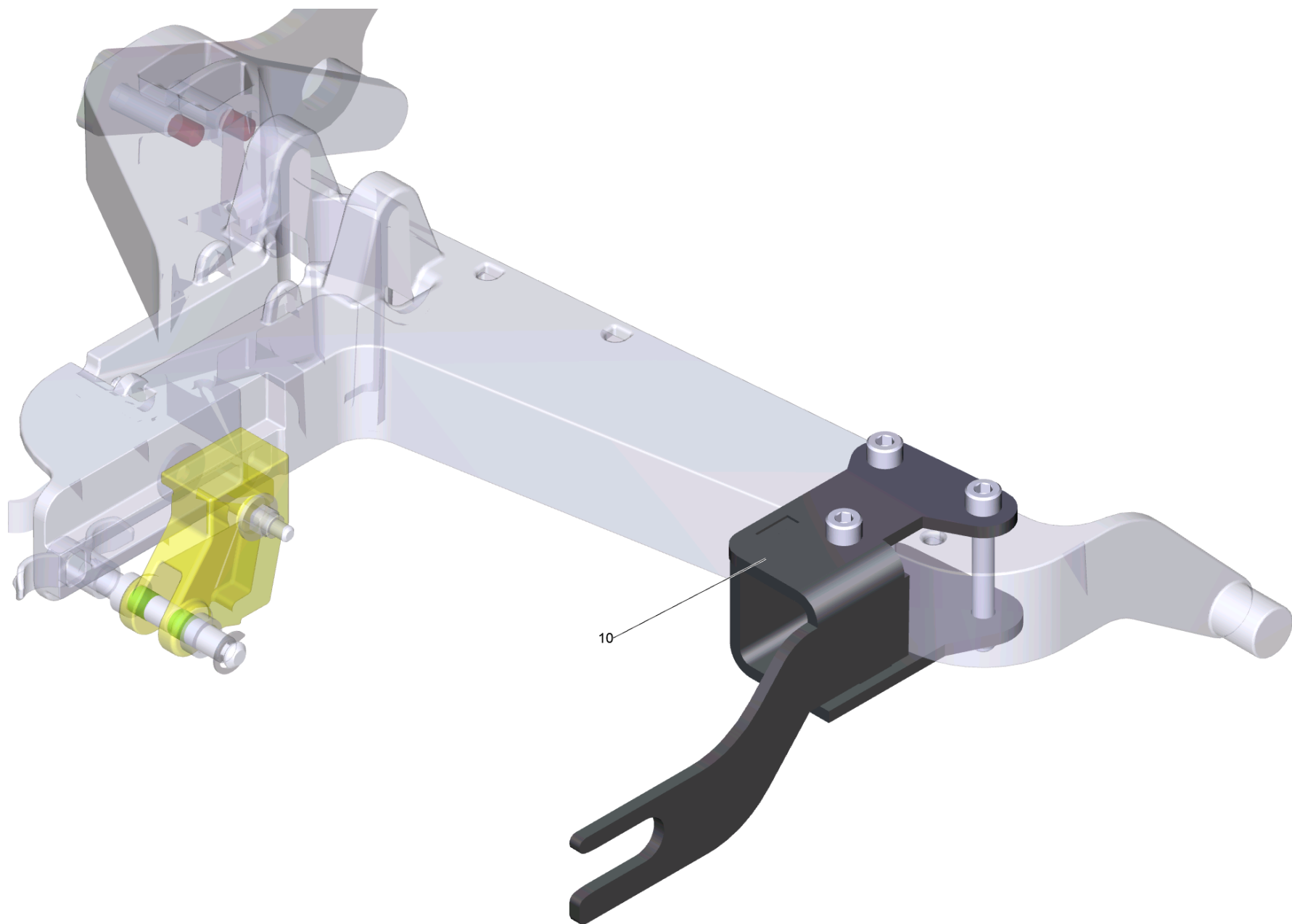
1 PAD - GREEN DIAM.96mm (9.380-066.0)

POS	Article no.	Description	Quantity	Unit
1	9.397-012.0	GREEN PU FOR PAD 220MM	55,555	ZST



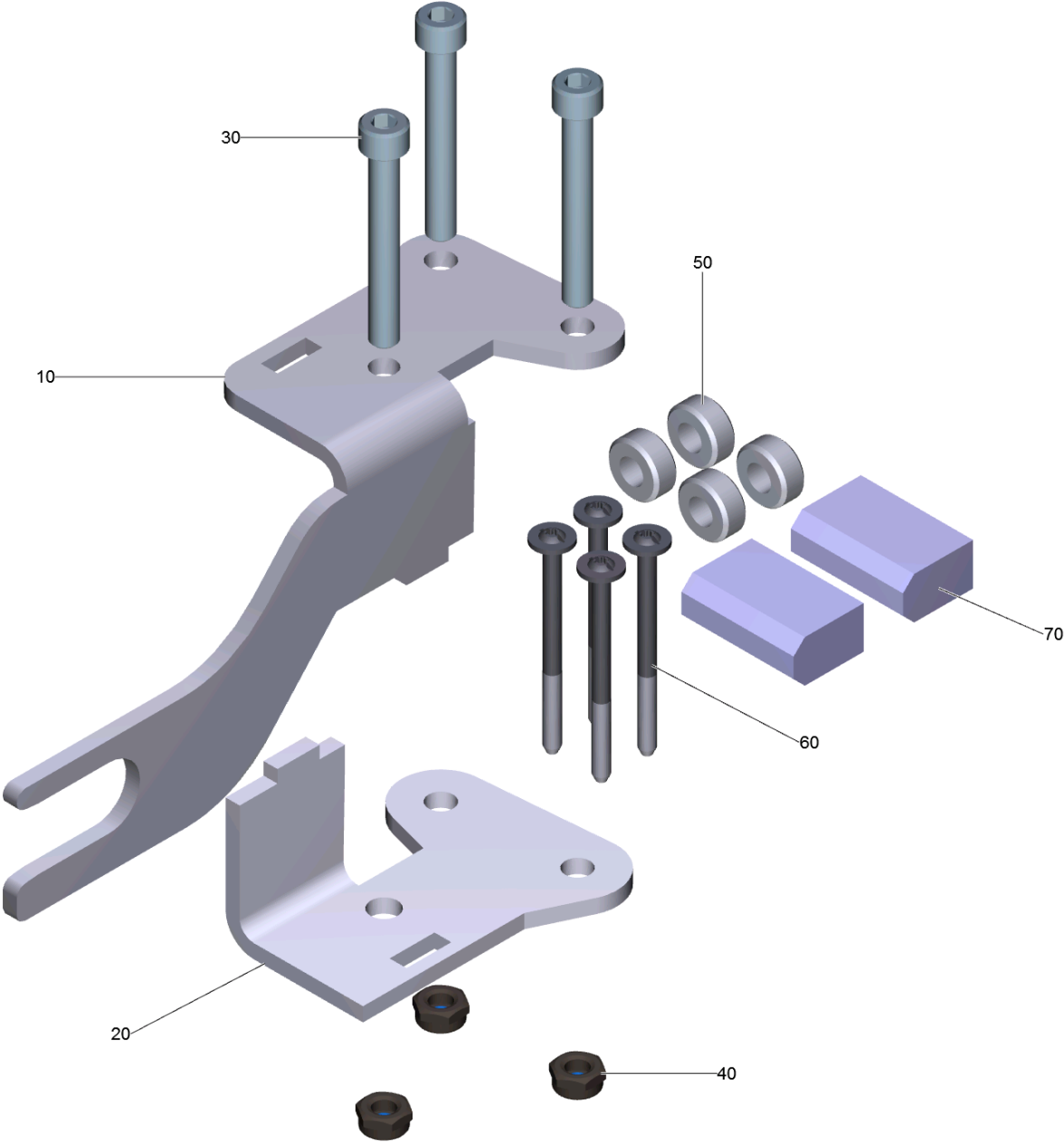
3 Hub pad roll BR VS (5.120-313.0)

POS	Article no.	Description	Quantity	Unit
1	5.332-469.0	Helical spring	1	PC



30 Conversion kit D51/R55C B60 Bp (4.036-075.0)

POS	Description	Quantity	Unit
10	Conversion kit D51/R55C B60Bp	1	PC

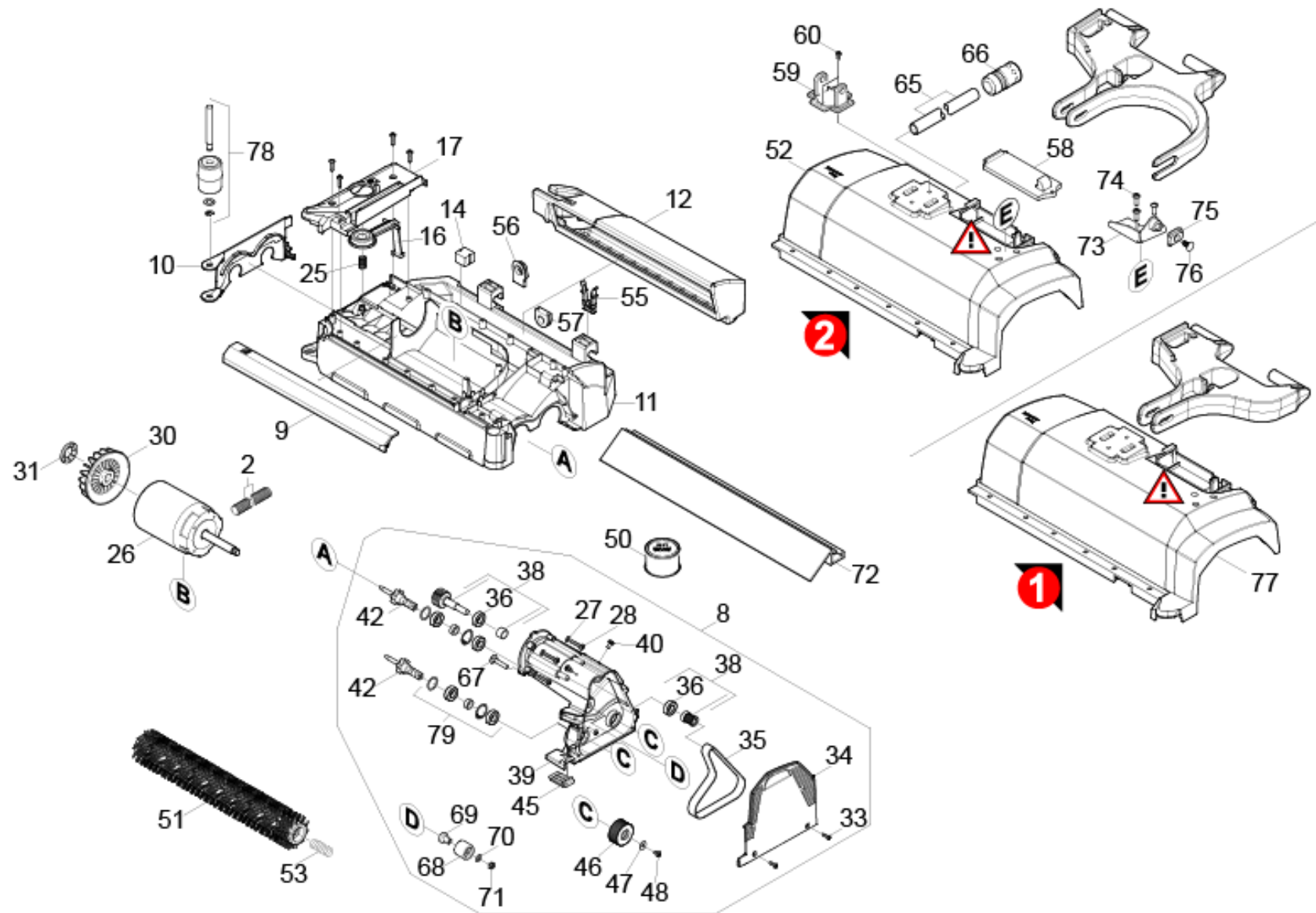


10 Conversion kit D51/R55C B60Bp

POS	Article no.	Description	Quantity	Unit
10	5.035-776.0	Sheet metal bracket brush-head EP	1	PC
20	5.035-777.0	Sheet steel angle brush-head EP	1	PC
30	7.306-047.0	Cylinder head screw M8x60 -8.8-A2E ISO4	3	PC
40	7.311-427.0	Hexagon nut M8 -04-A2E DIN 985	3	PC
60	7.303-275.0	Screw 8x50-10.9-A3E (In6Rd)	4	PC
70	5.035-809.0	Pad B60 EP	2	PC

1020 Brush-head R 55 Ep 230V

POS	Description	Quantity	Unit
10	Power brush synchronous run BR	1	PC
20	Roll pad	1	PC



10 Power brush synchronous run BR

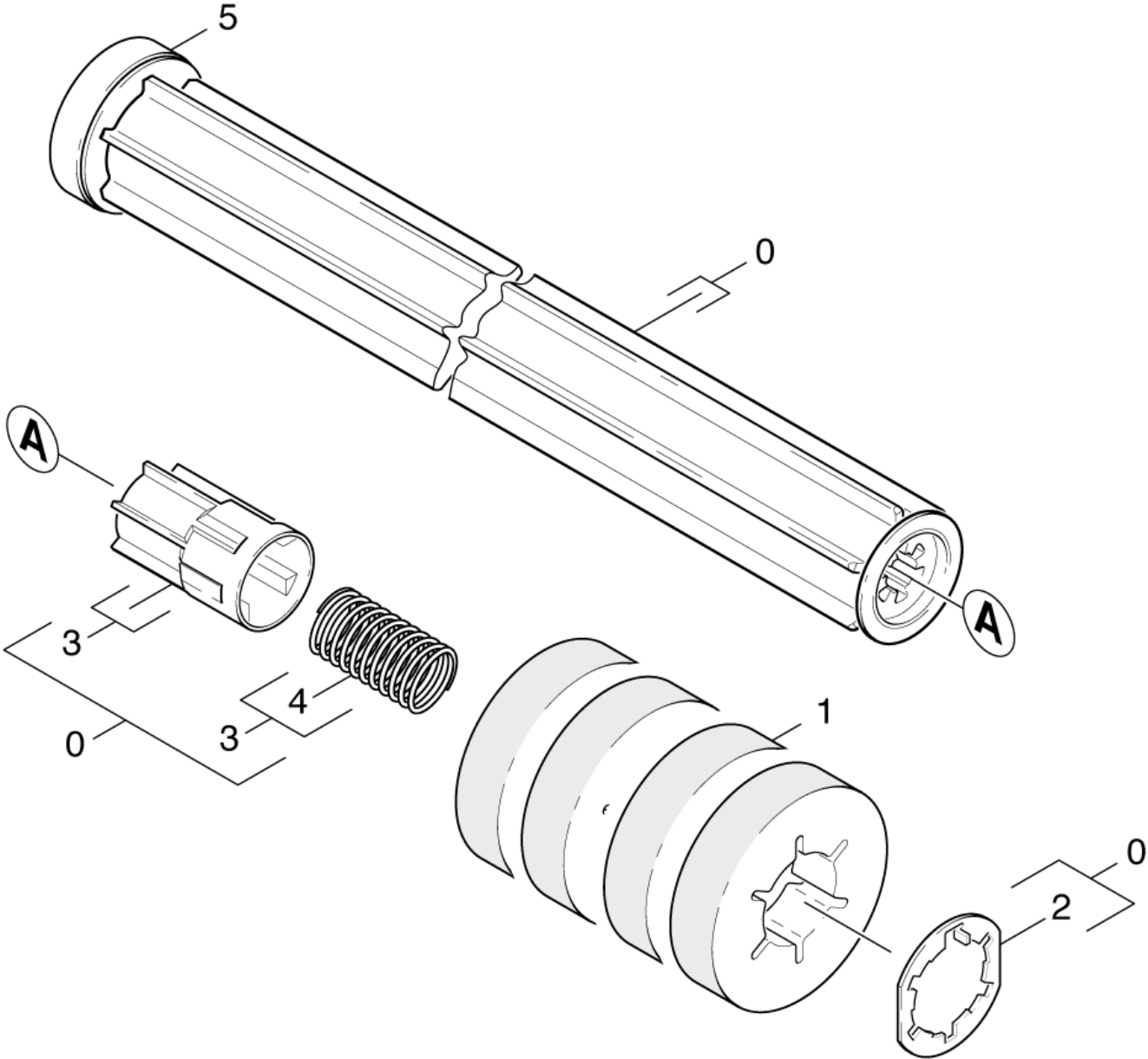
POS	Article no.	Description	Quantity	Unit	Remark	Foot note text
2	6.435-873.0	Piece of tube	1	PC		
8	4.035-502.0	Gear complete synchronous run	1	PC		
9	5.035-403.0	Strip water distributor R 55	1	PC		
10	5.035-393.0	Brushes retainer	1	PC		
11	5.035-389.0	Housing bottom part R 55	1	PC		
12	5.035-399.0	Sweep tank R 55	1	PC		
14	5.035-447.0	Plug	1	PC		
16	5.035-458.0	Brushes locking part	1	PC		
17	5.035-405.0	Housing top part locking part	1	PC		
18	7.303-113.0	Screw 6x25 -10.9-R2R (In6Rd)	8	PC		
25	6.330-450.0	Pressure spring	1	PC		
26	4.035-417.0	Motor replacement	1	PC	230 V	
27	7.312-026.0	Washer 6 -A2 ISO 7089	4	PC		
28	7.306-196.0	Screw M 6x30-A2-70 (IN6RD)	4	PC		
30	6.612-764.0	Blower wheel	1	PC		
31	6.343-149.0	Quick-fastener	1	PC		
33	7.303-038.0	Screw M5x12 -St-P2R (In6Rd)	2	PC		
34	5.035-385.0	Cover gear	1	PC		
35	4.035-425.0	Toothed belt replacement	1	PC		
36	7.401-115.0	Ball bearing 6002-2RS -WAE LZLAGST DIN 62	2	PC		
38	4.035-423.0	Shaft replacement synchronous run	1	PC		
39	5.035-384.0	Carrier motor worked R	1	PC		
40	7.306-089.0	Screw M6x12 -8.8-R2R (In6Rd)	1	PC		
42	5.101-104.0	Driveshaft	2	PC		
45	5.056-010.0	Rocker BR-VS	1	PC		
46	5.625-507.0	Belt pulley 56Z	2	PC		
47	7.312-276.0	Washer 6 -200HV-A2E ISO7093-1	2	PC		
48	6.304-180.0	Screw M6X12-A2/70-ISO7045 (IN6RD)	2	PC		
50	6.288-095.0	Viscous oil	1	PC		
51	4.035-184.0	ROLLER BRUSH COMPLETE FOR REPLACEMENT BR	2	PC		
51	4.762-409.0	Roller brush complete white BR 55/40	2	PC		
51	4.762-410.0	Roller brush complete orange BR	2	PC		

10 Power brush synchronous run BR

POS	Article no.	Description	Quantity	Unit	Remark	Foot note text
		55/40				
51	4.762-411.0	Roller brush complete green BR 55/40	2	PC		
51	4.762-412.0	Roller brush complete black BR 55/40	2	PC		
52	5.035-390.0	Housing top part R 55	1	PC		
53	5.332-114.0	Helical spring	1	PC		
55	5.035-424.0	Snap-fit	2	PC		
56	5.035-448.0	Wire protecting sleeve	1	PC		
57	6.648-064.0	Cable bushing	1	PC		
58	5.035-386.0	Cover electric box	1	PC		
59	5.035-604.0	Suspension seal brush-head BD	1	PC		
60	7.303-038.0	Screw M5x12 -St-P2R (In6Rd)	2	PC		
65	6.390-892.0	Spiral hose NW12	1	m		TO ORDER AS CUT GOODS
66	2.645-191.0	Hose coupling entry Universal	1	PC		
67	7.303-186.0	Saucer-head screw M8x40 -St-A0P DIN 603	1	PC		
68	4.250-083.0	Tension roller D = 33,5	1	PC		
69	5.110-700.0	Sleeve	1	PC		
70	7.312-017.0	Washer 8-A2 ISO 7089	1	PC		
71	7.311-427.0	Hexagon nut M8 -04-A2E DIN 985	1	PC		
72	5.035-401.0	Rubberlip synchronous run R 55	1	PC		
73	5.035-782.0	Suspension brush-head R	1	PC		VERSION 2
74	7.303-112.0	Screw 6x20 -10.9-R2R (In6Rd)	3	PC		VERSION 2
75	5.035-673.0	Sliding shoe	1	PC		VERSION 2
76	6.343-261.0	Quick-fastener	1	PC		VERSION 2
77	2.882-737.0	Conversion kit R55-Kopf B40	1	PC	R55	VERSION 1
78	4.035-610.0	Set deflector roll	1	PC		
79	4.035-611.0	Set transmission power brush	2	PC		

68 Tension roller D = 33,5 (4.250-083.0)

POS	Article no.	Description	Quantity	Unit
10	6.401-363.0	Ball bearing	2	PC



20 Roll pad

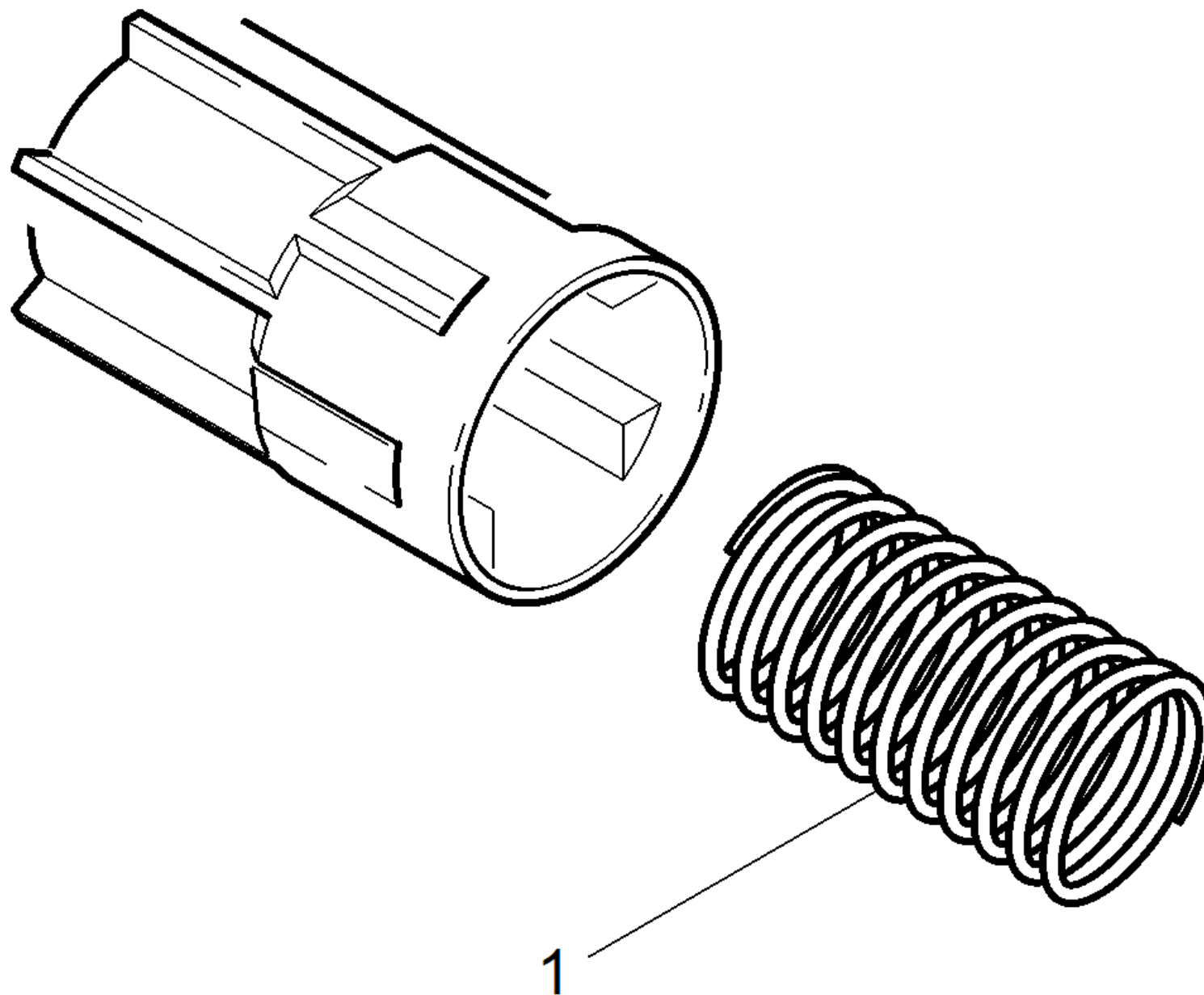
POS	Article no.	Description	Quantity	Unit
0	4.762-415.0	Roll Pad BR55	1	PC
0	9.753-054.0	Pad disk complete D51	1	PC
1	6.369-734.0	Pad red with sleeve	1	ZSA
1	9.302-688.0	PAD GREEN DIAM.96mm (SET 25 UNIT)	2	PC
1	8.635-692.0	ROLLER, STRIPPING, 22" CYLINDRICAL	1	PC
1	6.371-247.0	Diamond pad yellow set 5x Ø280	1	PC
1	6.371-246.0	Diamond pad white set 5x Ø280	1	PC
1	6.371-233.0	Diamond pad green set 5x Ø280	1	PC
1	6.369-735.0	Pad white with sleeve	1	ZSA
1	6.369-733.0	Pad green with sleeve	1	ZSA
1	6.369-732.0	Pad yellow with sleeve	1	ZSA
1	6.369-456.0	Pad red 105-20ST	1	ZSA
1	6.369-455.0	Pad green 105-20ST	1	ZSA
1	6.369-454.0	Pad yellow 105-20ST	1	ZSA
1	4.114-010.0	Micro-fibre roll complete BR 55/40	1	PC
1	4.114-005.0	Micro-fibre roll complete BR 55	1	PC
2	4.115-003.0	Washer closure	1	PC
3	5.120-313.0	Hub pad roll BR VS	1	PC
4	5.332-469.0	Helical spring	1	PC
5	4.038-677.0	Sheet metal component thread deflector	1	PC

1 PAD GREEN DIAM.96mm (SET 25 UNIT) (9.302-688.0)

POS	Article no.	Description	Quantity	Unit
1	9.380-066.0	PAD - GREEN DIAM.96mm	25	PC
3		PLASTIC BAG 276 x 450 PE	1	PC

1 PAD - GREEN DIAM.96mm (9.380-066.0)

POS	Article no.	Description	Quantity	Unit
1	9.397-012.0	GREEN PU FOR PAD 220MM	55,555	ZST

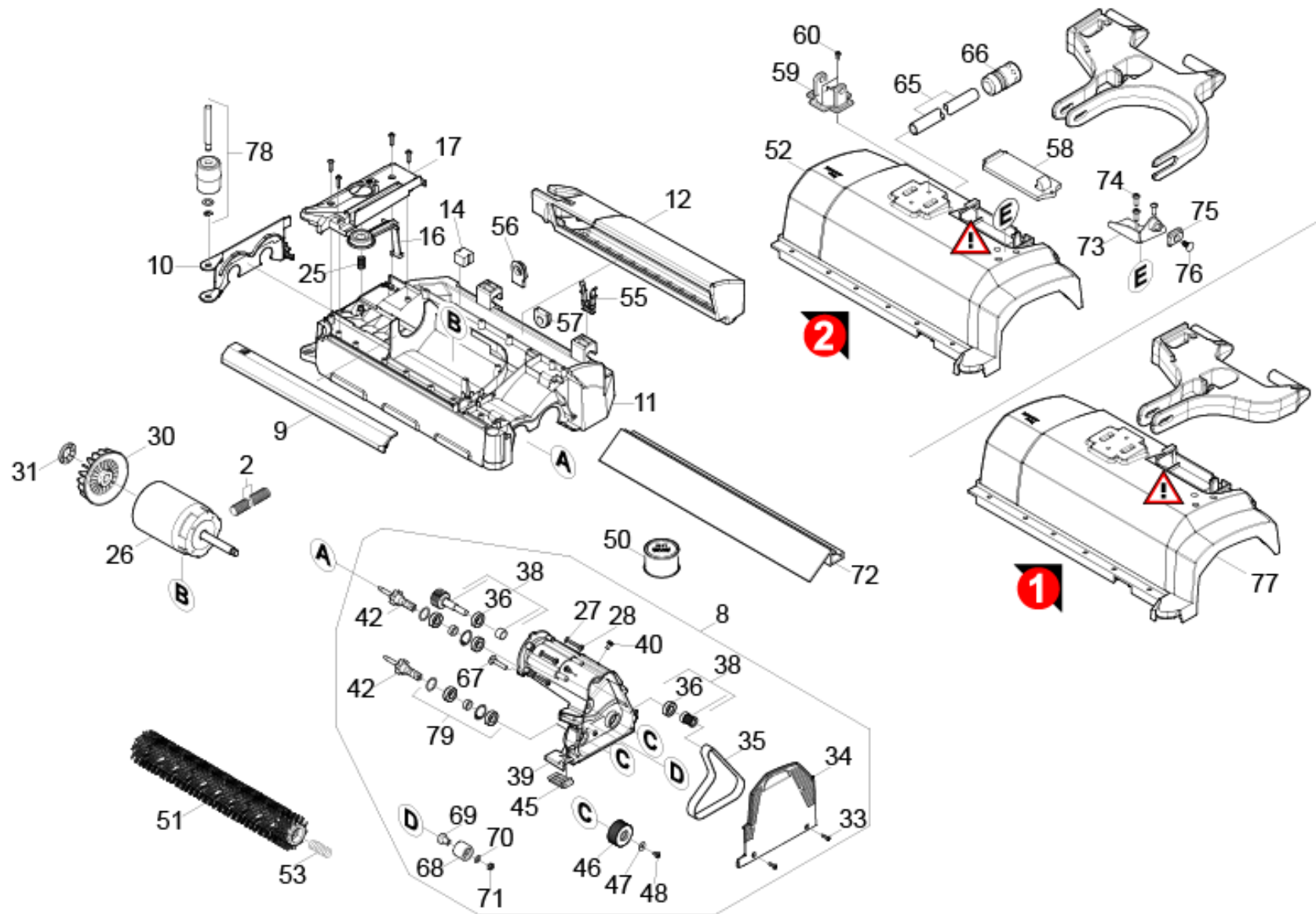


3 Hub pad roll BR VS (5.120-313.0)

POS	Article no.	Description	Quantity	Unit
1	5.332-469.0	Helical spring	1	PC

1030 Brush-head R 55 Ep 120V

POS	Description	Quantity	Unit
10	Power brush synchronous run BR	1	PC
20	Roll pad	1	PC



10 Power brush synchronous run BR

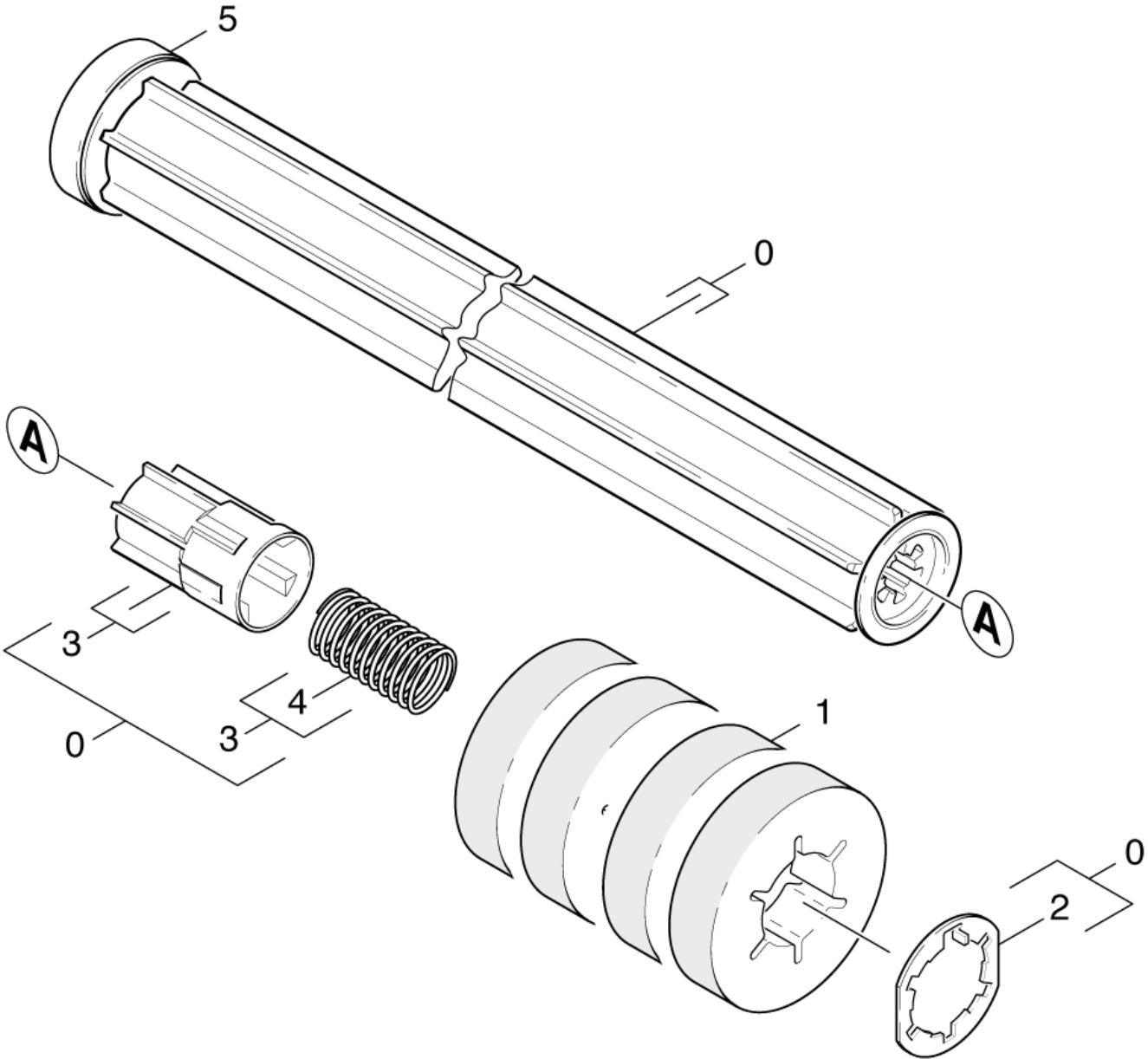
POS	Article no.	Description	Quantity	Unit	Remark	Foot note text
2	6.435-873.0	Piece of tube	1	PC		
8	4.035-502.0	Gear complete synchronous run	1	PC		
9	5.035-403.0	Strip water distributor R 55	1	PC		
10	5.035-393.0	Brushes retainer	1	PC		
11	5.035-389.0	Housing bottom part R 55	1	PC		
12	5.035-399.0	Sweep tank R 55	1	PC		
14	5.035-447.0	Plug	1	PC		
16	5.035-458.0	Brushes locking part	1	PC		
17	5.035-405.0	Housing top part locking part	1	PC		
18	7.303-113.0	Screw 6x25 -10.9-R2R (In6Rd)	8	PC		
25	6.330-450.0	Pressure spring	1	PC		
26	4.035-418.0	Motor replacement	1	PC	120 V	
27	7.312-026.0	Washer 6 -A2 ISO 7089	4	PC		
28	7.306-196.0	Screw M 6x30-A2-70 (IN6RD)	4	PC		
30	6.612-764.0	Blower wheel	1	PC		
31	6.343-149.0	Quick-fastener	1	PC		
33	7.303-038.0	Screw M5x12 -St-P2R (In6Rd)	2	PC		
34	5.035-385.0	Cover gear	1	PC		
35	4.035-425.0	Toothed belt replacement	1	PC		
36	7.401-115.0	Ball bearing 6002-2RS -WAE LZLAGST DIN 62	2	PC		
38	4.035-423.0	Shaft replacement synchronous run	1	PC		
39	5.035-384.0	Carrier motor worked R	1	PC		
40	7.306-089.0	Screw M6x12 -8.8-R2R (In6Rd)	1	PC		
42	5.101-104.0	Driveshaft	2	PC		
45	5.056-010.0	Rocker BR-VS	1	PC		
46	5.625-507.0	Belt pulley 56Z	2	PC		
47	7.312-276.0	Washer 6 -200HV-A2E ISO7093-1	2	PC		
48	6.304-180.0	Screw M6X12-A2/70-ISO7045 (IN6RD)	2	PC		
50	6.288-095.0	Viscous oil	1	PC		
51	4.035-184.0	ROLLER BRUSH COMPLETE FOR REPLACEMENT BR	2	PC		
51	4.762-409.0	Roller brush complete white BR 55/40	2	PC		
51	4.762-410.0	Roller brush complete orange BR	2	PC		

10 Power brush synchronous run BR

POS	Article no.	Description	Quantity	Unit	Remark	Foot note text
		55/40				
51	4.762-411.0	Roller brush complete green BR 55/40	2	PC		
51	4.762-412.0	Roller brush complete black BR 55/40	2	PC		
52	5.035-390.0	Housing top part R 55	1	PC		
53	5.332-114.0	Helical spring	1	PC		
55	5.035-424.0	Snap-fit	2	PC		
56	5.035-448.0	Wire protecting sleeve	1	PC		
57	6.648-064.0	Cable bushing	1	PC		
58	5.035-386.0	Cover electric box	1	PC		
59	5.035-604.0	Suspension seal brush-head BD	1	PC		
60	7.303-038.0	Screw M5x12 -St-P2R (In6Rd)	2	PC		
65	6.390-892.0	Spiral hose NW12	1	m		TO ORDER AS CUT GOODS
66	2.645-191.0	Hose coupling entry Universal	1	PC		
67	7.303-186.0	Saucer-head screw M8x40 -St-A0P DIN 603	1	PC		
68	4.250-083.0	Tension roller D = 33,5	1	PC		
69	5.110-700.0	Sleeve	1	PC		
70	7.312-017.0	Washer 8-A2 ISO 7089	1	PC		
71	7.311-427.0	Hexagon nut M8 -04-A2E DIN 985	1	PC		
72	5.035-401.0	Rubberlip synchronous run R 55	1	PC		
73	5.035-782.0	Suspension brush-head R	1	PC		VERSION 2
74	7.303-112.0	Screw 6x20 -10.9-R2R (In6Rd)	3	PC		VERSION 2
75	5.035-673.0	Sliding shoe	1	PC		VERSION 2
76	6.343-261.0	Quick-fastener	1	PC		VERSION 2
77	2.882-737.0	Conversion kit R55-Kopf B40	1	PC	R55	VERSION 1
78	4.035-610.0	Set deflector roll	1	PC		
79	4.035-611.0	Set transmission power brush	2	PC		

68 Tension roller D = 33,5 (4.250-083.0)

POS	Article no.	Description	Quantity	Unit
10	6.401-363.0	Ball bearing	2	PC



20 Roll pad

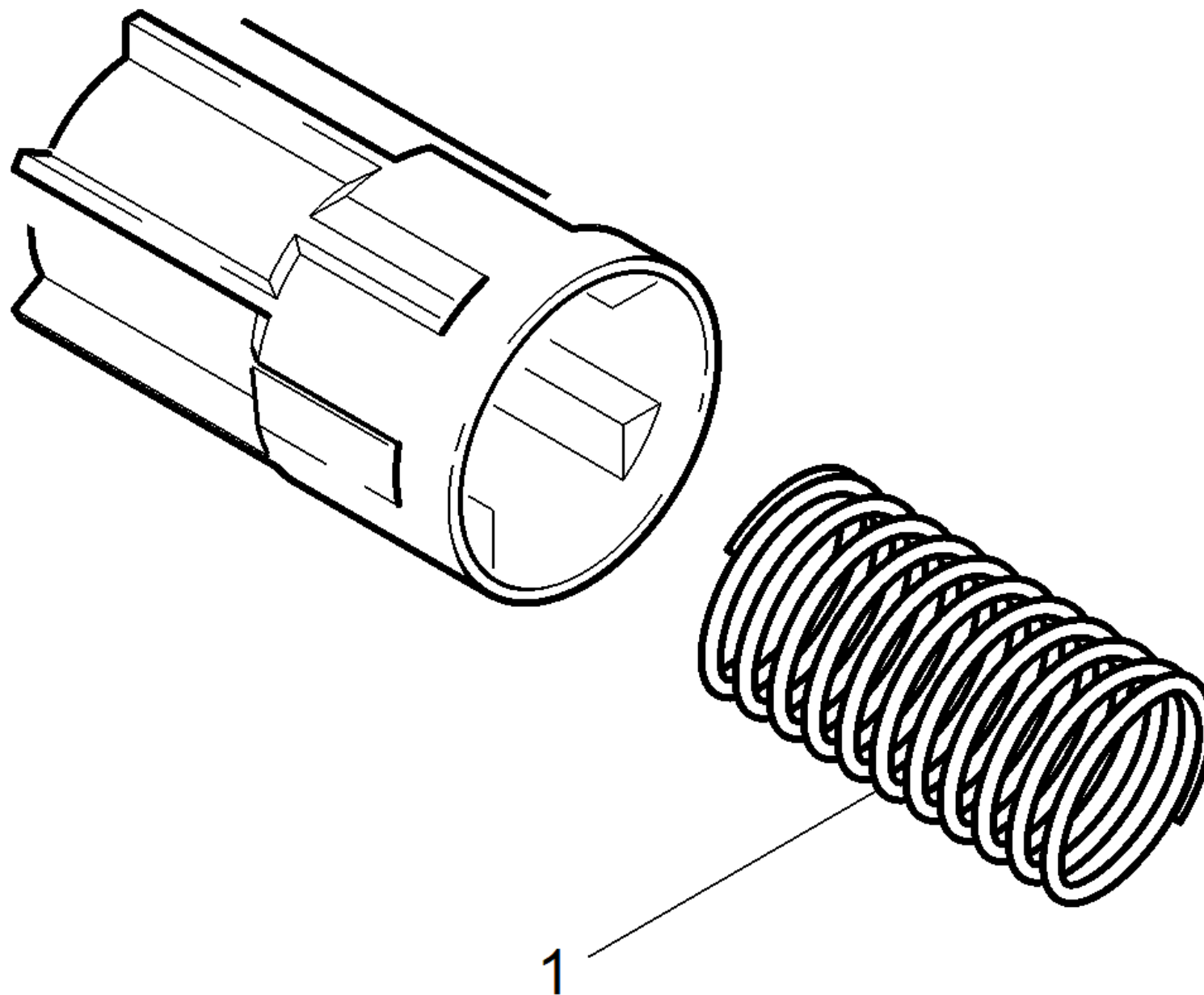
POS	Article no.	Description	Quantity	Unit
0	4.762-415.0	Roll Pad BR55	1	PC
0	9.753-054.0	Pad disk complete D51	1	PC
1	6.369-734.0	Pad red with sleeve	1	ZSA
1	9.302-688.0	PAD GREEN DIAM.96mm (SET 25 UNIT)	2	PC
1	8.635-692.0	ROLLER, STRIPPING, 22" CYLINDRICAL	1	PC
1	6.371-247.0	Diamond pad yellow set 5x Ø280	1	PC
1	6.371-246.0	Diamond pad white set 5x Ø280	1	PC
1	6.371-233.0	Diamond pad green set 5x Ø280	1	PC
1	6.369-735.0	Pad white with sleeve	1	ZSA
1	6.369-733.0	Pad green with sleeve	1	ZSA
1	6.369-732.0	Pad yellow with sleeve	1	ZSA
1	6.369-456.0	Pad red 105-20ST	1	ZSA
1	6.369-455.0	Pad green 105-20ST	1	ZSA
1	6.369-454.0	Pad yellow 105-20ST	1	ZSA
1	4.114-010.0	Micro-fibre roll complete BR 55/40	1	PC
1	4.114-005.0	Micro-fibre roll complete BR 55	1	PC
2	4.115-003.0	Washer closure	1	PC
3	5.120-313.0	Hub pad roll BR VS	1	PC
4	5.332-469.0	Helical spring	1	PC
5	4.038-677.0	Sheet metal component thread deflector	1	PC

1 PAD GREEN DIAM.96mm (SET 25 UNIT) (9.302-688.0)

POS	Article no.	Description	Quantity	Unit
1	9.380-066.0	PAD - GREEN DIAM.96mm	25	PC
3		PLASTIC BAG 276 x 450 PE	1	PC

1 PAD - GREEN DIAM.96mm (9.380-066.0)

POS	Article no.	Description	Quantity	Unit
1	9.397-012.0	GREEN PU FOR PAD 220MM	55,555	ZST



3 Hub pad roll BR VS (5.120-313.0)

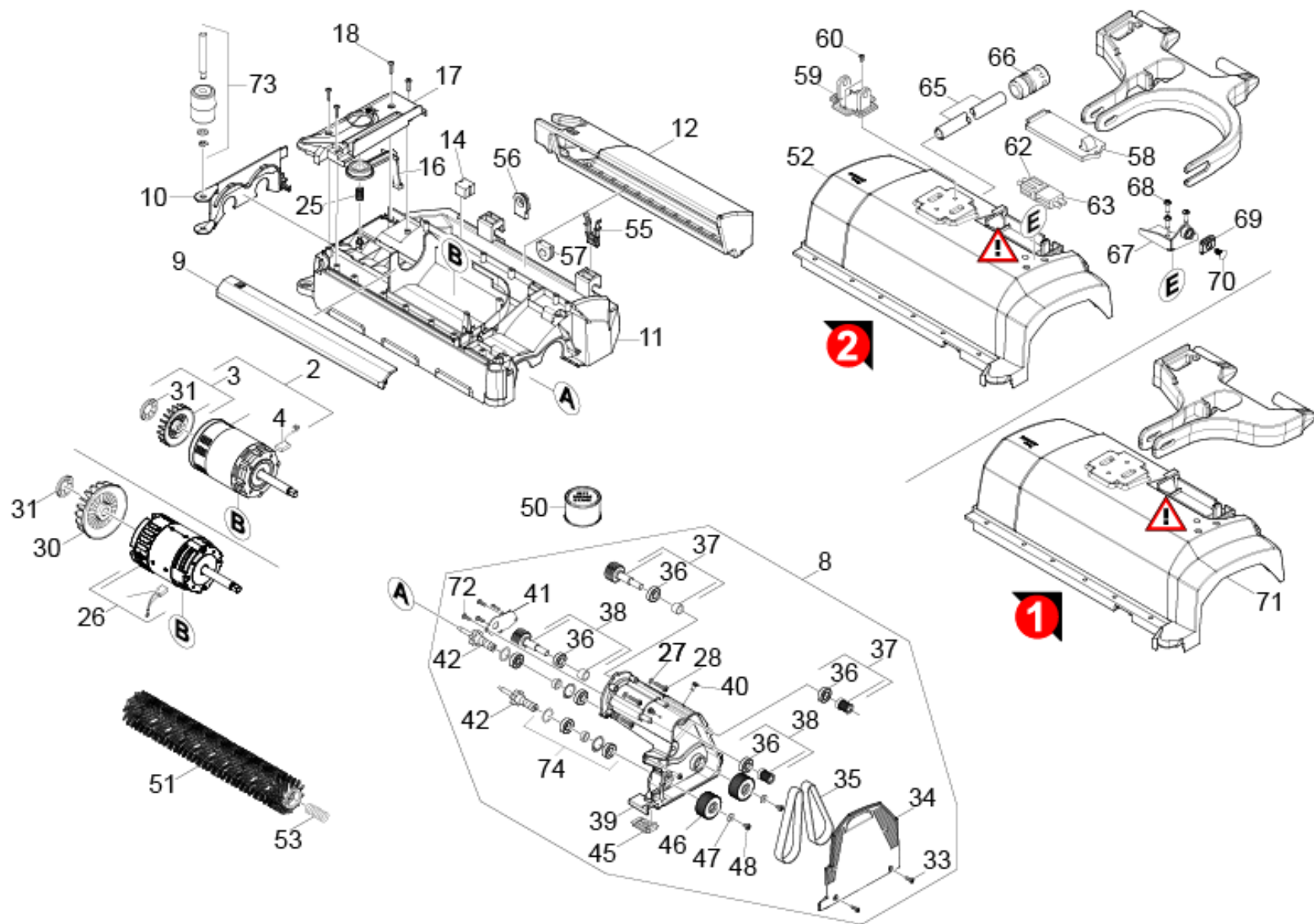
POS	Article no.	Description	Quantity	Unit
1	5.332-469.0	Helical spring	1	PC

1040 Brush-head R 45 W (2.763-019.0)

POS	Description	Quantity	Unit
10	Brush-head R 45 W	1	PC

10 Brush-head R 45 W

POS	Description	Quantity	Unit
10	Power brush counter rotation BR	1	PC
11	Roll pad	1	PC



10 Power brush counter rotation BR

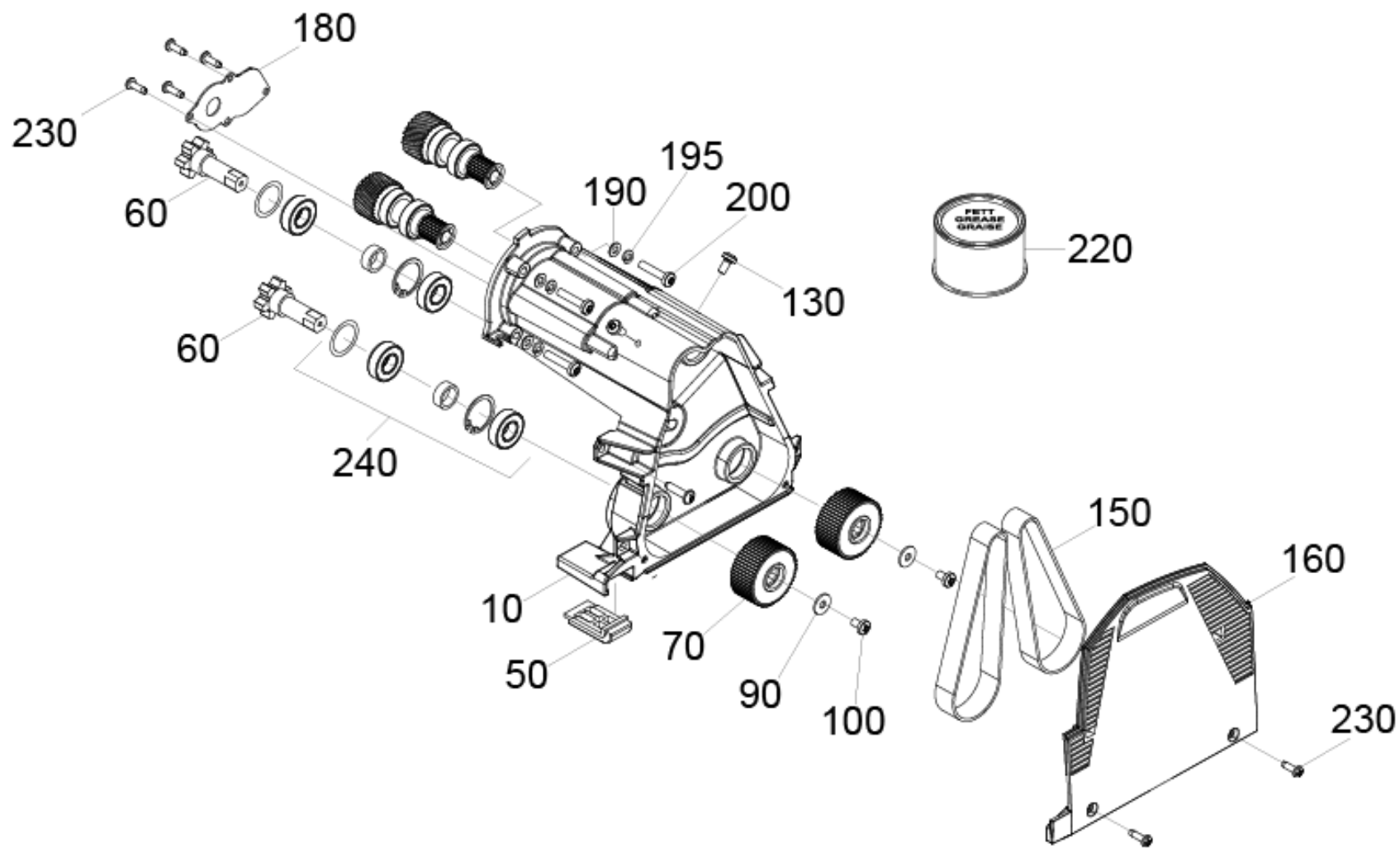
POS	Article no.	Description	Quantity	Unit	Remark	Foot note text
2	4.035-428.0	Direct current motor replacement	1	PC	Hengye/24V	
3	6.610-027.0	Blower wheel only for replacement Hengye	1	PC	Hengye	
4	6.610-026.0	Carbon brush set	1	PC	Hengye	
8	4.035-004.0	Gear complete counter rotation	1	PC		
9	5.035-402.0	Strip water distributor R 45	1	PC		
10	5.035-393.0	Brushes retainer	1	PC		
11	5.035-387.0	Housing bottom part R 45	1	PC		
12	5.035-396.0	Sweep tank R 45	1	PC		
14	5.035-447.0	Plug	1	PC		
16	5.035-458.0	Brushes locking part	1	PC		
17	5.035-405.0	Housing top part locking part	1	PC		
18	7.303-113.0	Screw 6x25 -10.9-R2R (In6Rd)	8	PC		
25	6.330-450.0	Pressure spring	1	PC		
26	4.035-428.0	Direct current motor replacement	1	PC	ATAS/24V	
27	7.312-026.0	Washer 6 -A2 ISO 7089	4	PC		
28	7.306-196.0	Screw M 6x30-A2-70 (IN6RD)	4	PC		
30	6.613-025.0	Blower wheel	1	PC	ATAS	
31	6.343-149.0	Quick-fastener	1	PC		
33	7.303-039.0	Screw M5x16 -St-P2R (In6Rd)	2	PC		
34	5.035-385.0	Cover gear	1	PC		
35	4.035-005.0	Toothed belt replacement	2	PC		
36	7.401-115.0	Ball bearing 6002-2RS -WAE LZLAGST DIN 62	4	PC		
37	4.035-380.0	Shaft gear left	1	PC		
38	4.035-381.0	Shaft gear right	1	PC		
39	5.035-384.0	Carrier motor worked R	1	PC		
40	7.306-089.0	Screw M6x12 -8.8-R2R (In6Rd)	1	PC		
41	5.035-684.0	Covering cap gear	1	PC		
42	5.101-104.0	Driveshaft	2	PC		
45	5.056-010.0	Rocker BR-VS	1	PC		
46	5.625-507.0	Belt pulley 56Z	2	PC		
47	7.312-276.0	Washer 6 -200HV-A2E ISO7093-1	2	PC		
48	6.304-180.0	Screw M6X12-A2/70-ISO7045 (IN6RD)	2	PC		

10 Power brush counter rotation BR

POS	Article no.	Description	Quantity	Unit	Remark	Foot note text
50	6.288-095.0	Viscous oil	1	PC		
51	4.762-392.0	Roller brush complete red BR 45/40	2	PC		
51	4.762-405.0	Roller brush complete white BR 45/40	2	PC		
51	4.762-406.0	Roller brush complete orange BR 45/40	2	PC		
51	4.762-407.0	Roller brush complete green BR 45/40	2	PC		
51	4.762-408.0	Roller brush complete black BR 45/40	2	PC		
52	5.035-388.0	Housing top part R 45	1	PC		
53	5.332-114.0	Helical spring	1	PC		
55	5.035-424.0	Snap-fit	2	PC		
56	5.035-448.0	Wire protecting sleeve	1	PC		
57	6.648-064.0	Cable bushing	1	PC		
58	5.035-386.0	Cover electric box	1	PC		
59	5.035-604.0	Suspension seal brush-head BD	1	PC		
60	7.303-038.0	Screw M5x12 -St-P2R (In6Rd)	2	PC		
62	6.646-034.0	Set plug complete rot, 75A , Q-6mm ²	1	PC		
63	6.646-033.0	Set plug complete blau , 75A , Q-6mm ²	1	PC		
65	6.390-892.0	Spiral hose NW12	1	m		TO ORDER AS CUT GOODS
66	2.645-191.0	Hose coupling entry Universal	1	PC		
67	5.035-782.0	Suspension brush-head R	1	PC		VERSION 2
68	7.303-112.0	Screw 6x20 -10.9-R2R (In6Rd)	3	PC		VERSION 2
69	5.035-673.0	Sliding shoe	1	PC		VERSION 2
70	6.343-261.0	Quick-fastener	1	PC		VERSION 2
71	2.882-736.0	Conversion kit R45-Kopf B40	1	PC	R55	VERSION 1
72	7.303-038.0	Screw M5x12 -St-P2R (In6Rd)	4	PC		
73	4.035-610.0	Set deflector roll	1	PC		
74	4.035-611.0	Set transmission power brush	2	PC		

2 Direct current motor replacement (4.035-428.0)

POS	Article no.	Description	Quantity	Unit
10	6.610-026.0	Carbon brush set	1	PC
20	6.610-027.0	Blower wheel only for replacement Hengye	1	PC

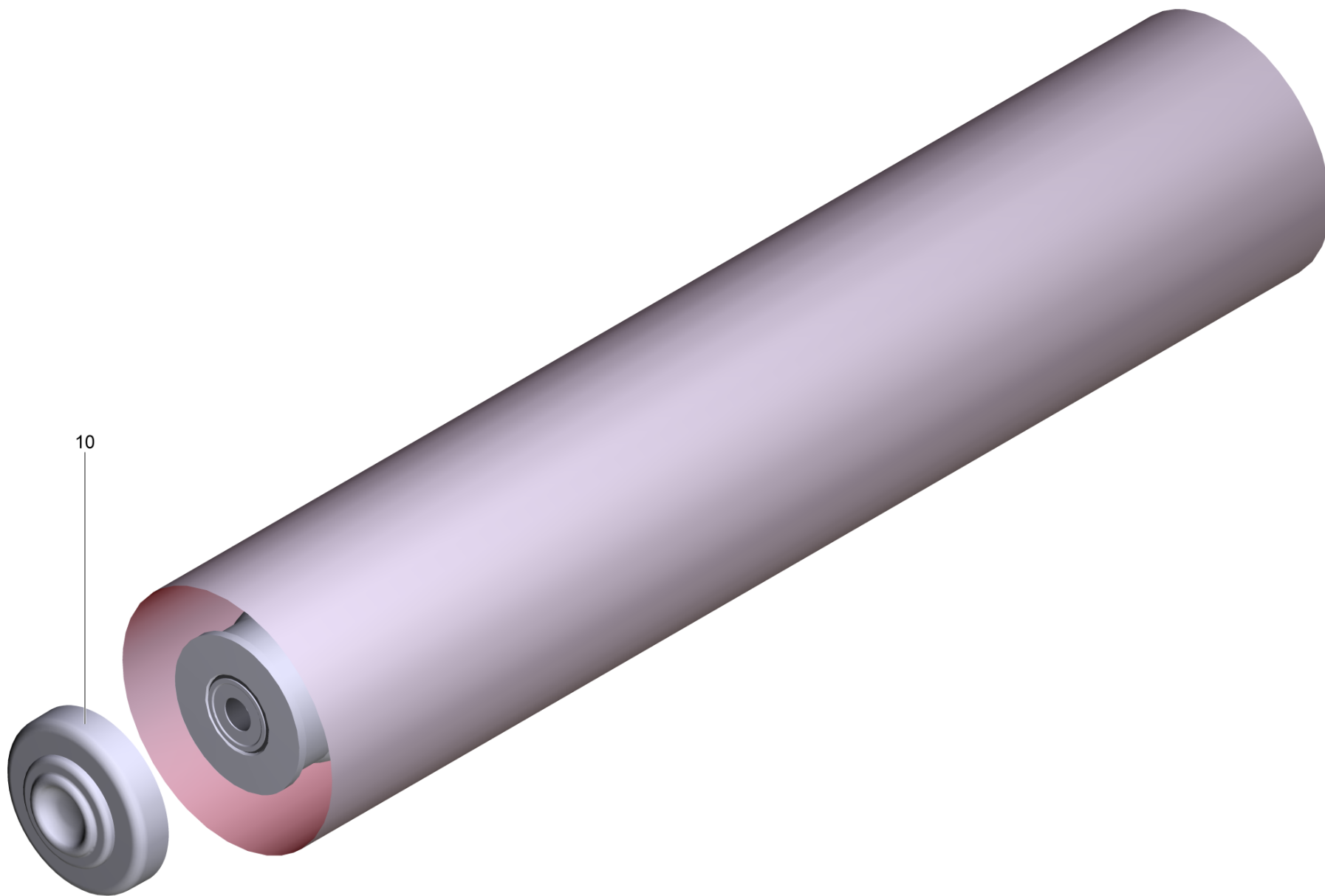


8 Gear complete counter rotation (4.035-004.0)

POS	Article no.	Description	Quantity	Unit
10	5.035-384.0	Carrier motor worked R	1	PC
50	5.056-010.0	Rocker BR-VS	1	PC
60	5.101-104.0	Driveshaft	2	PC
70	5.625-507.0	Belt pulley 56Z	2	PC
90	7.312-276.0	Washer 6 -200HV-A2E ISO7093-1	2	PC
100	6.304-180.0	Screw M6X12-A2/70-ISO7045 (IN6RD)	2	PC
120	4.035-381.0	Shaft gear right	1	PC
130	7.306-089.0	Screw M6x12 -8.8-R2R (In6Rd)	2	PC
140	4.035-380.0	Shaft gear left	1	PC
150	4.035-005.0	Toothed belt replacement	2	PC
160	5.035-385.0	Cover gear	1	PC
180	5.035-684.0	Covering cap gear	1	PC
190	7.312-026.0	Washer 6 -A2 ISO 7089	4	PC
195	7.313-003.0	Spring washer B 6-FSt-A3E DIN 127	4	PC
200	7.306-196.0	Screw M 6x30-A2-70 (IN6RD)	4	PC
220	6.288-095.0	Viscous oil	1	PC
230	7.303-038.0	Screw M5x12 -St-P2R (In6Rd)	6	PC
240	4.035-611.0	Set transmission power brush	2	PC

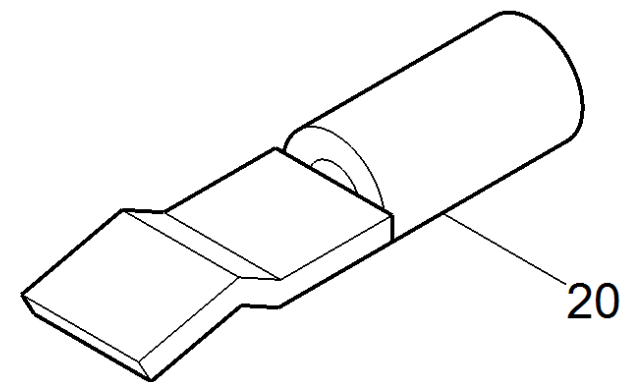
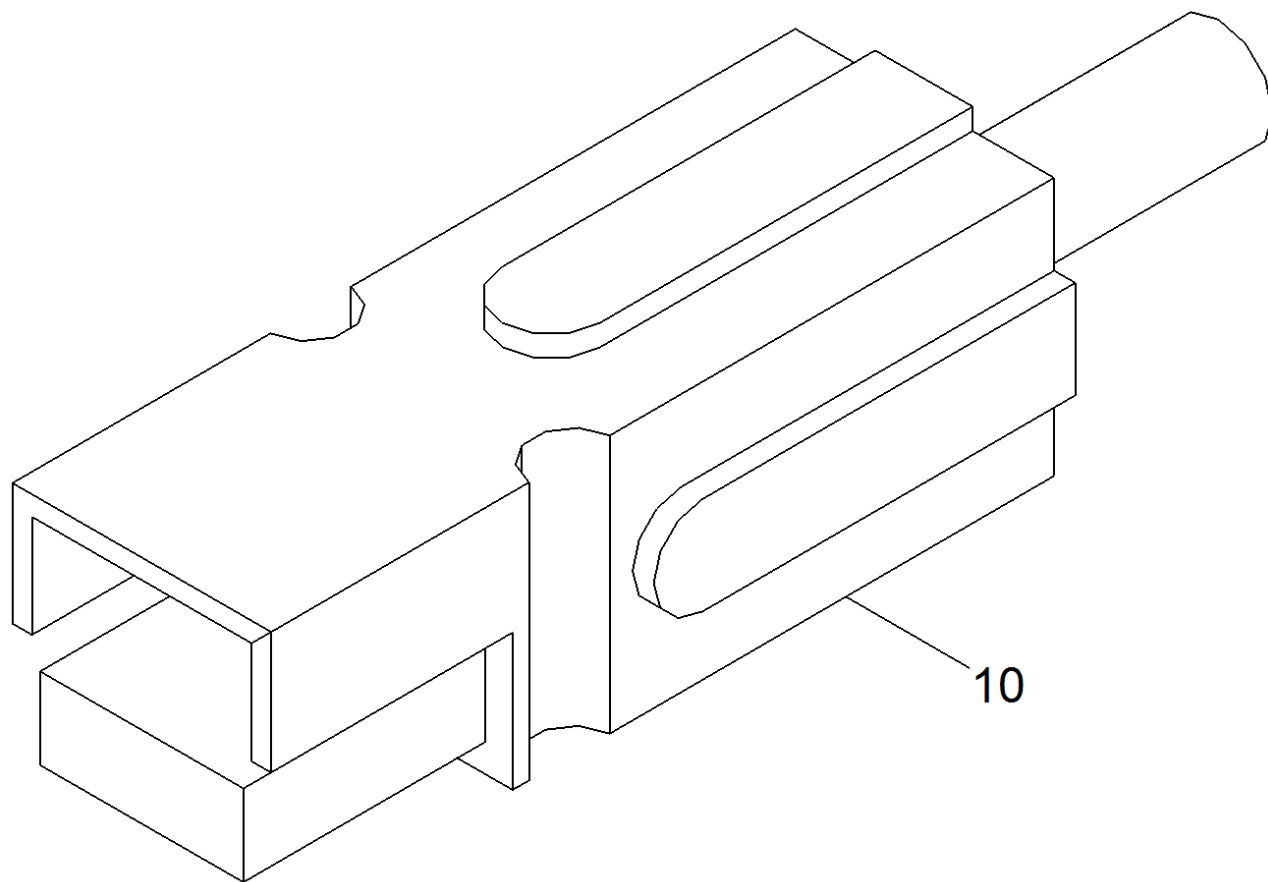
26 Direct current motor replacement (4.035-428.0)

POS	Article no.	Description	Quantity	Unit
10	6.610-026.0	Carbon brush set	1	PC
20	6.610-027.0	Blower wheel only for replacement Hengye	1	PC



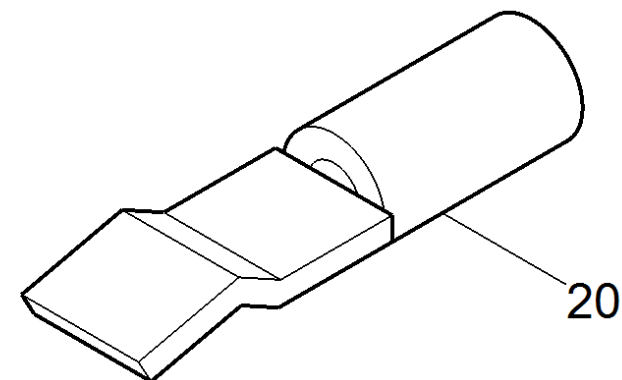
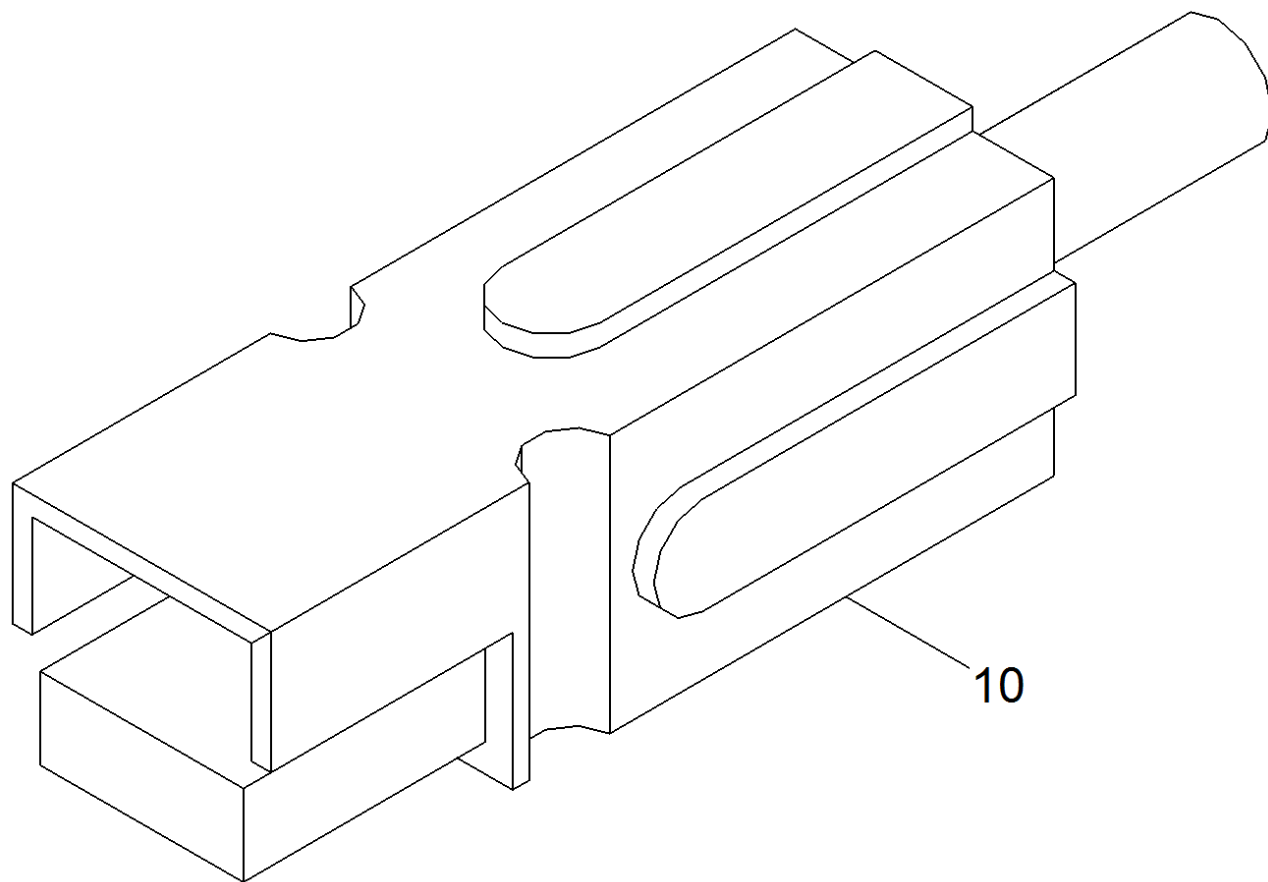
51 Roller brush complete red BR 45/40 (4.762-392.0)

POS	Article no.	Description	Quantity	Unit
10	5.033-673.0	Thread deflector	1	PC



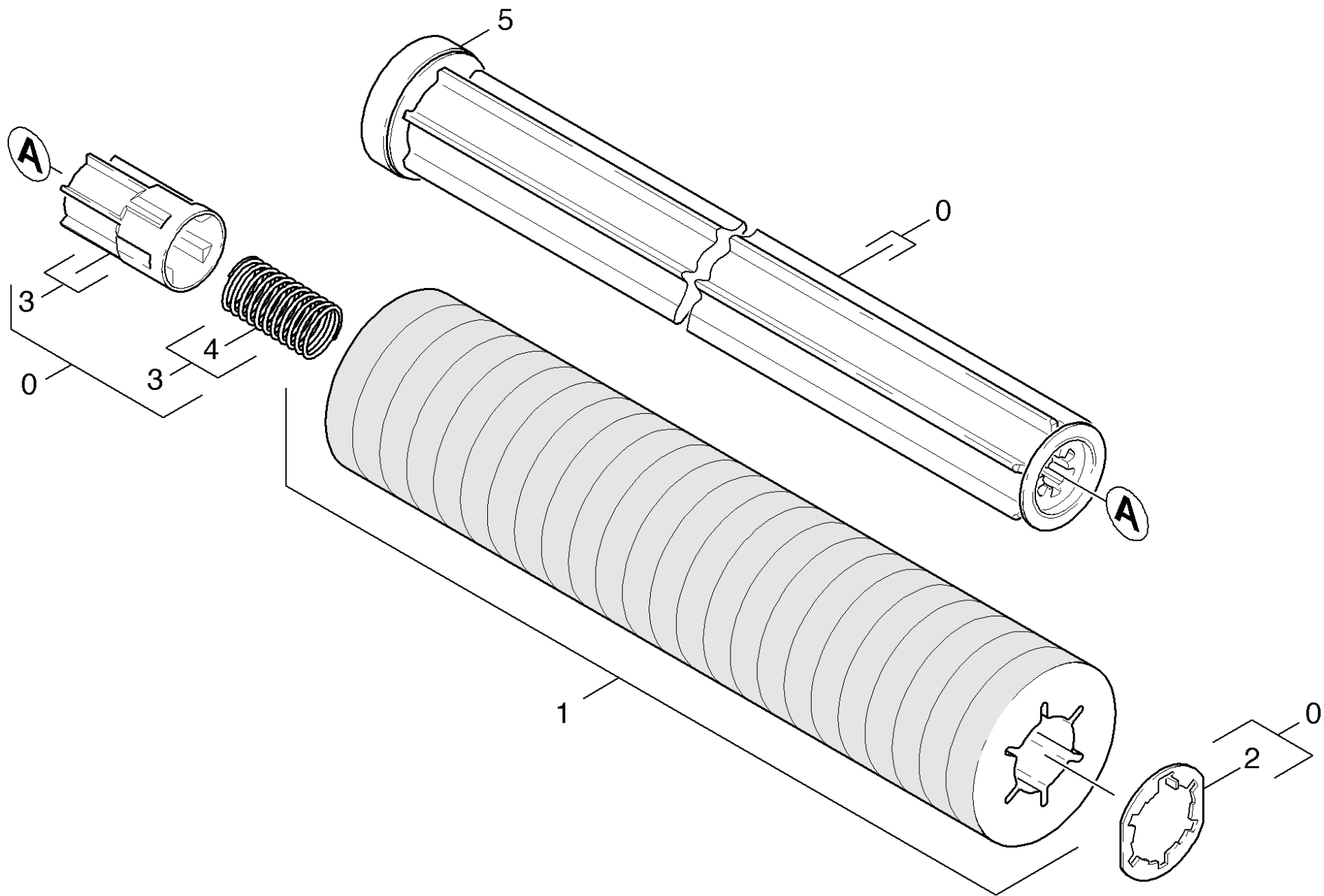
62 Set plug complete rot, 75A , Q-6mm² (6.646-034.0)

POS	Article no.	Description	Quantity	Unit
10	6.643-043.0	Plug housing red 75 A	1	PC
20	6.646-979.0	Switch contact 6 mm ²	1	PC



63 Set plug complete blau , 75A , Q-6mm² (6.646-033.0)

POS	Article no.	Description	Quantity	Unit
10	6.643-045.0	Plug housing blue 75 A	1	PC
20	6.646-979.0	Switch contact 6 mm ²	1	PC

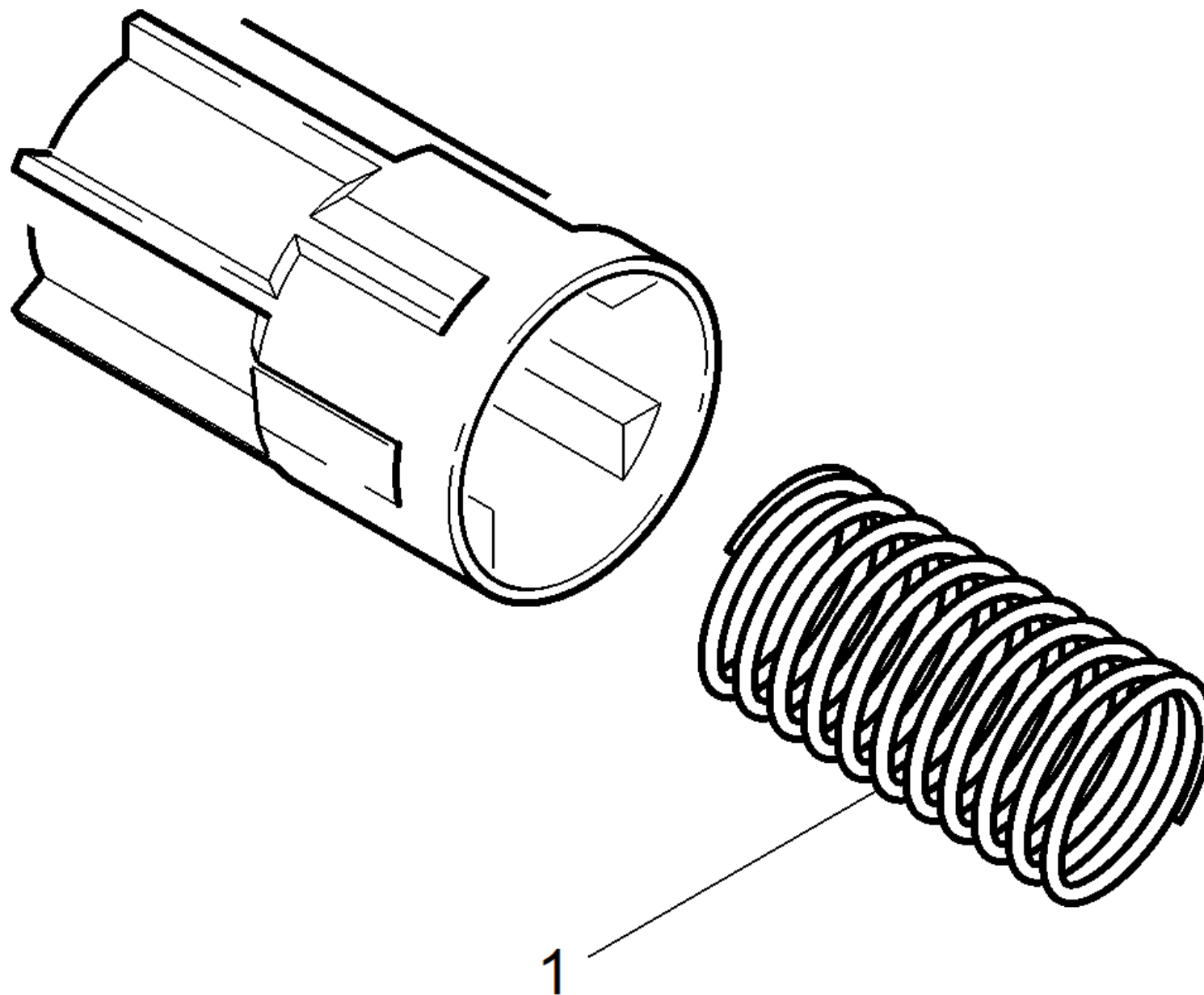


11 Roll pad

POS	Article no.	Description	Quantity	Unit	Remark
0	4.762-413.0	Roll Pad BR45	1	PC	
1	4.114-009.0	Micro-fibre roll complete BR 45/40	1	PC	
1	4.114-011.0	Roll stripping 450mm	1	PC	
1	6.367-105.0	Pad yellow with sleeve BR 45/40	1	ZSA	BR 55/40
1	6.367-106.0	Pad green with sleeve BR 45/40	1	ZSA	BR 55/40
1	6.367-107.0	Pad red with sleeve BR 45/40	1	ZSA	BR 55/40
1	6.367-108.0	Pad white with sleeve BR 45/40	1	ZSA	BR 55/40
2	4.115-003.0	Washer closure	1	PC	
3	5.120-313.0	Hub pad roll BR VS	1	PC	
4	5.332-469.0	Helical spring	1	PC	
5	4.038-677.0	Sheet metal component thread deflector	1	PC	

1 Micro-fibre roll complete BR 45/40 (4.114-009.0)

POS	Description	Quantity	Unit
10	Carrier micro-fibre	2	PC
20	Sleeve micro-fibre	0,112	ZST

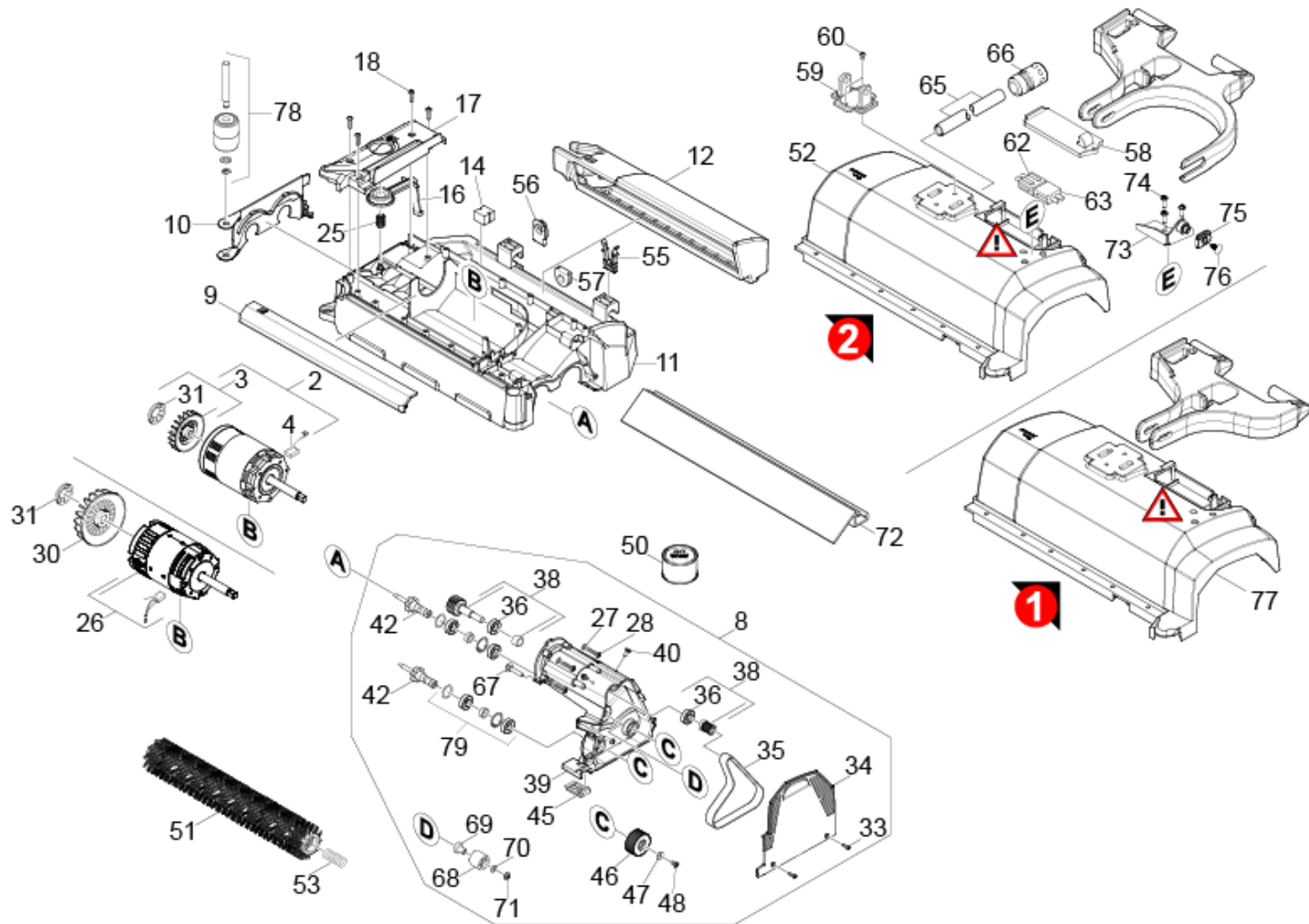


3 Hub pad roll BR VS (5.120-313.0)

POS	Article no.	Description	Quantity	Unit
1	5.332-469.0	Helical spring	1	PC

1050 Brush-head R 45 C

POS	Description	Quantity	Unit
10	Power brush synchronous run BR	1	PC
20	Roll pad	1	PC



10 Power brush synchronous run BR

POS	Article no.	Description	Quantity	Unit	Remark	Foot note text
2	4.035-428.0	Direct current motor replacement	1	PC	Hengye/24V	
3	6.610-027.0	Blower wheel only for replacement Hengye	1	PC	Hengye	
4	6.610-026.0	Carbon brush set	1	PC	Hengye	
8	4.035-502.0	Gear complete synchronous run	1	PC		
9	5.035-402.0	Strip water distributor R 45	1	PC		
10	5.035-393.0	Brushes retainer	1	PC		
11	5.035-387.0	Housing bottom part R 45	1	PC		
12	5.035-396.0	Sweep tank R 45	1	PC		
14	5.035-447.0	Plug	1	PC		
16	5.035-458.0	Brushes locking part	1	PC		
17	5.035-405.0	Housing top part locking part	1	PC		
18	7.303-113.0	Screw 6x25 -10.9-R2R (In6Rd)	8	PC		
25	6.330-450.0	Pressure spring	1	PC		
26	4.035-428.0	Direct current motor replacement	1	PC	ATAS	
27	7.312-026.0	Washer 6 -A2 ISO 7089	4	PC		
28	7.306-196.0	Screw M 6x30-A2-70 (IN6RD)	4	PC		
30	6.613-025.0	Blower wheel	1	PC	ATAS	
31	6.343-149.0	Quick-fastener	1	PC		
33	7.303-038.0	Screw M5x12 -St-P2R (In6Rd)	2	PC		
34	5.035-385.0	Cover gear	1	PC		
35	4.035-425.0	Toothed belt replacement	1	PC		
36	7.401-115.0	Ball bearing 6002-2RS -WAE LZLAGST DIN 62	2	PC		
38	4.035-423.0	Shaft replacement synchronous run	1	PC		
39	5.035-384.0	Carrier motor worked R	1	PC		
40	7.306-089.0	Screw M6x12 -8.8-R2R (In6Rd)	1	PC		
42	5.101-104.0	Driveshaft	2	PC		
45	5.056-010.0	Rocker BR-VS	1	PC		
46	5.625-507.0	Belt pulley 56Z	2	PC		
47	7.312-276.0	Washer 6 -200HV-A2E ISO7093-1	2	PC		
48	6.304-180.0	Screw M6X12-A2/70-ISO7045 (IN6RD)	2	PC		
50	6.288-095.0	Viscous oil	1	PC		
51	4.762-392.0	Roller brush complete red BR 45/40	2	PC		

10 Power brush synchronous run BR

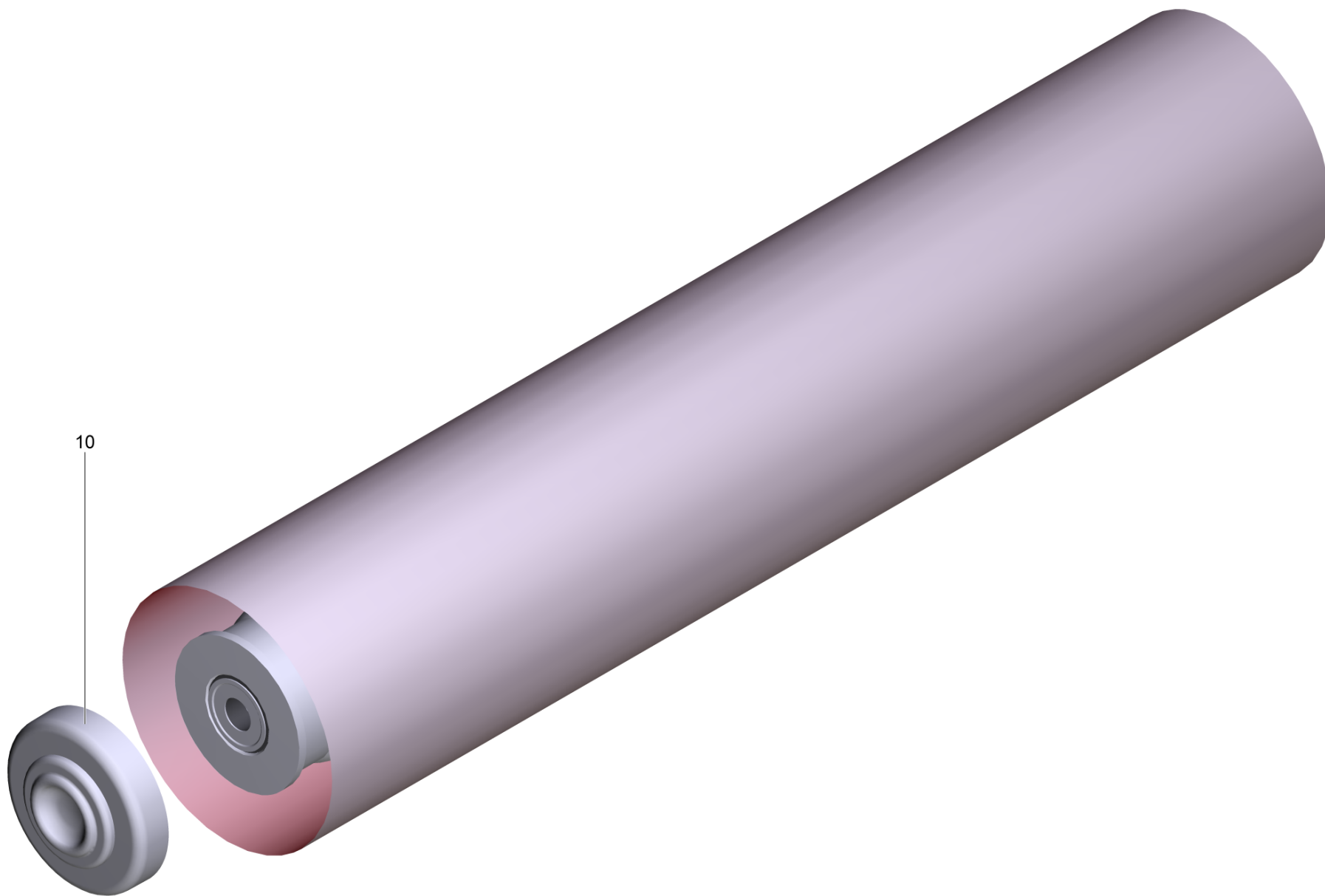
POS	Article no.	Description	Quantity	Unit	Remark	Foot note text
51	4.762-405.0	Roller brush complete white BR 45/40	2	PC		
51	4.762-406.0	Roller brush complete orange BR 45/40	2	PC		
51	4.762-407.0	Roller brush complete green BR 45/40	2	PC		
51	4.762-408.0	Roller brush complete black BR 45/40	2	PC		
52	5.035-388.0	Housing top part R 45	1	PC		
53	5.332-114.0	Helical spring	1	PC		
55	5.035-424.0	Snap-fit	2	PC		
56	5.035-448.0	Wire protecting sleeve	1	PC		
57	6.648-064.0	Cable bushing	1	PC		
58	5.035-386.0	Cover electric box	1	PC		
59	5.035-604.0	Suspension seal brush-head BD	1	PC		
60	7.303-038.0	Screw M5x12 -St-P2R (In6Rd)	2	PC		
62	6.646-034.0	Set plug complete rot, 75A , Q-6mm ²	1	PC		
63	6.646-033.0	Set plug complete blau , 75A , Q-6mm ²	1	PC		
65	6.390-892.0	Spiral hose NW12	1	m		TO ORDER AS CUT GOODS
66	2.645-191.0	Hose coupling entry Universal	1	PC		
67	7.303-186.0	Saucer-head screw M8x40 -St-A0P DIN 603	1	PC		
68	4.250-083.0	Tension roller D = 33,5	1	PC		
69	5.110-700.0	Sleeve	1	PC		
70	7.312-017.0	Washer 8-A2 ISO 7089	1	PC		
71	7.311-427.0	Hexagon nut M8 -04-A2E DIN 985	1	PC		
72	5.035-398.0	Rubberlip synchronous run R 45	1	PC		
73	5.035-782.0	Suspension brush-head R	1	PC		VERSION 2
74	7.303-112.0	Screw 6x20 -10.9-R2R (In6Rd)	3	PC		VERSION 2
75	5.035-673.0	Sliding shoe	1	PC		VERSION 2
76	6.343-261.0	Quick-fastener	1	PC		VERSION 2
77	2.882-736.0	Conversion kit R45-Kopf B40	1	PC	R55	VERSION 1
78	4.035-610.0	Set deflector roll	1	PC		
79	4.035-611.0	Set transmission power brush	2	PC		

2 Direct current motor replacement (4.035-428.0)

POS	Article no.	Description	Quantity	Unit
10	6.610-026.0	Carbon brush set	1	PC
20	6.610-027.0	Blower wheel only for replacement Hengye	1	PC

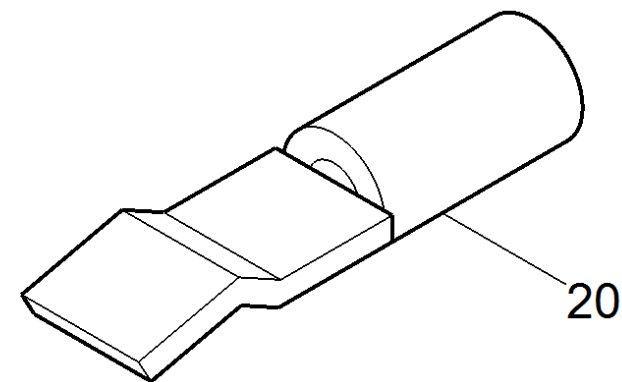
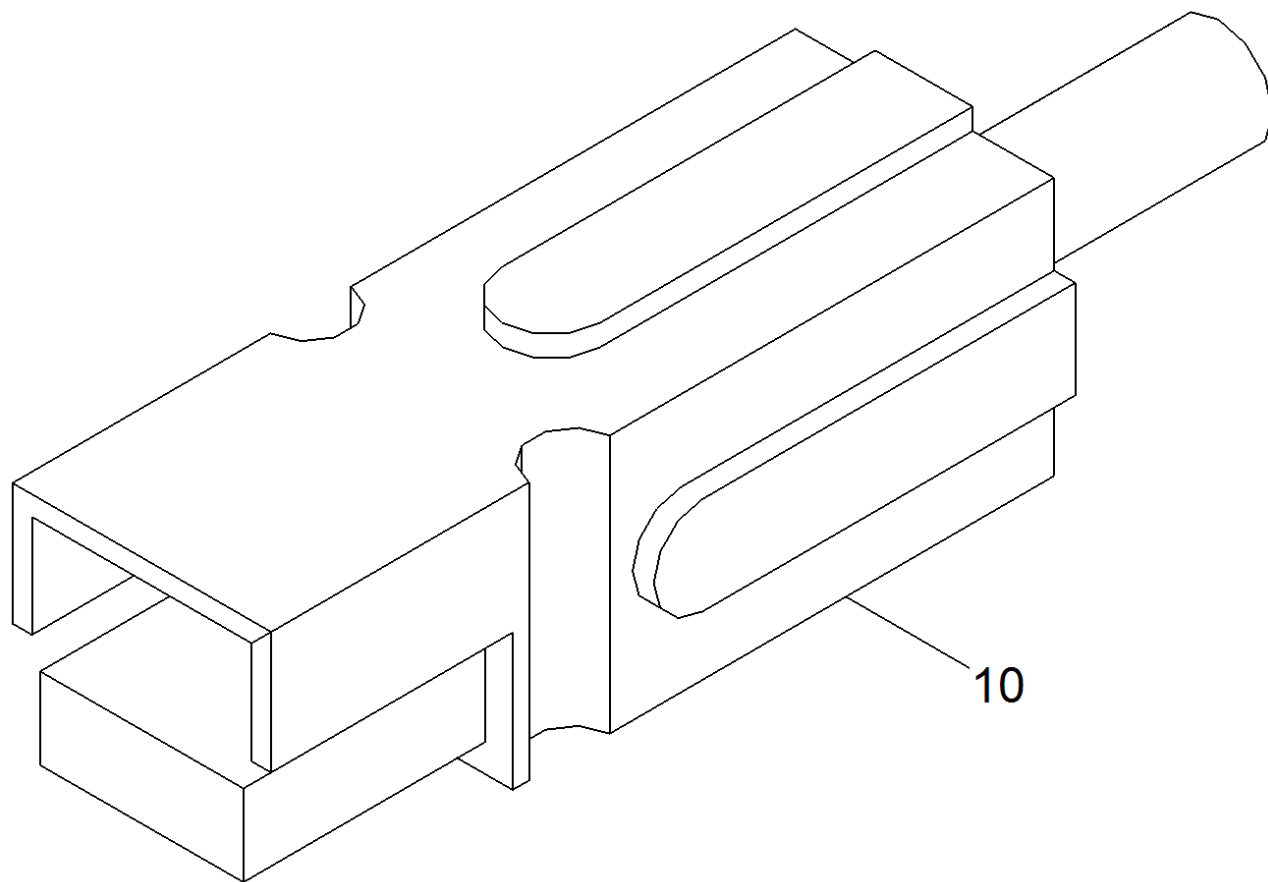
26 Direct current motor replacement (4.035-428.0)

POS	Article no.	Description	Quantity	Unit
10	6.610-026.0	Carbon brush set	1	PC
20	6.610-027.0	Blower wheel only for replacement Hengye	1	PC



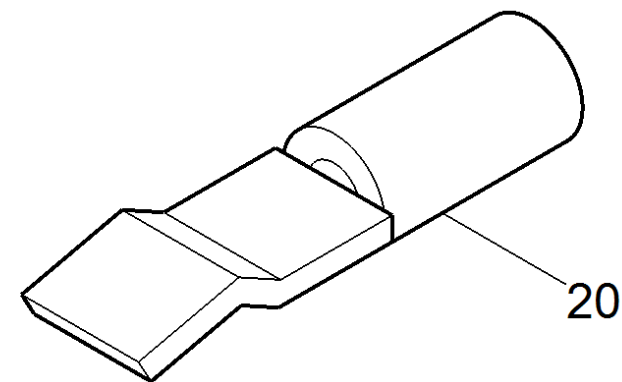
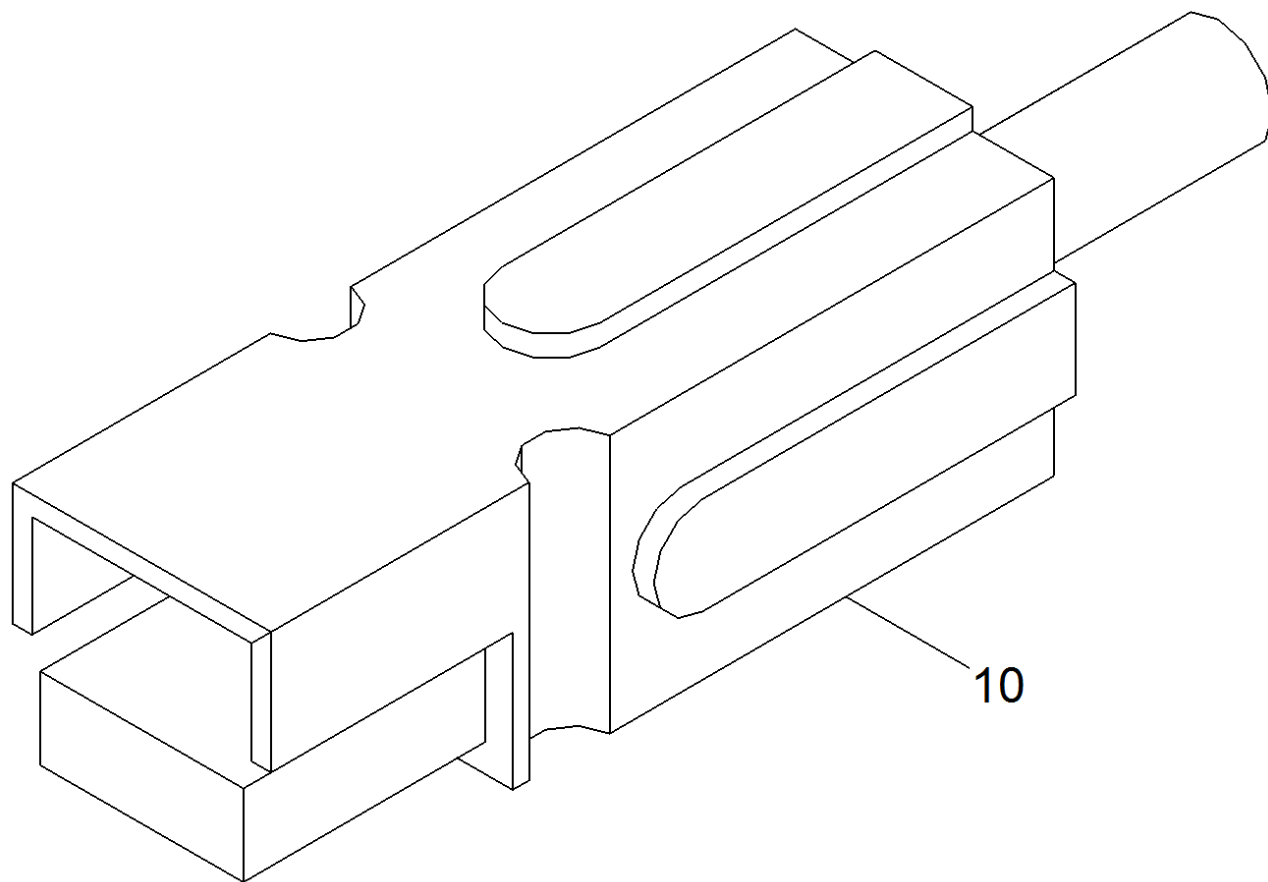
51 Roller brush complete red BR 45/40 (4.762-392.0)

POS	Article no.	Description	Quantity	Unit
10	5.033-673.0	Thread deflector	1	PC



62 Set plug complete rot, 75A , Q-6mm² (6.646-034.0)

POS	Article no.	Description	Quantity	Unit
10	6.643-043.0	Plug housing red 75 A	1	PC
20	6.646-979.0	Switch contact 6 mm ²	1	PC

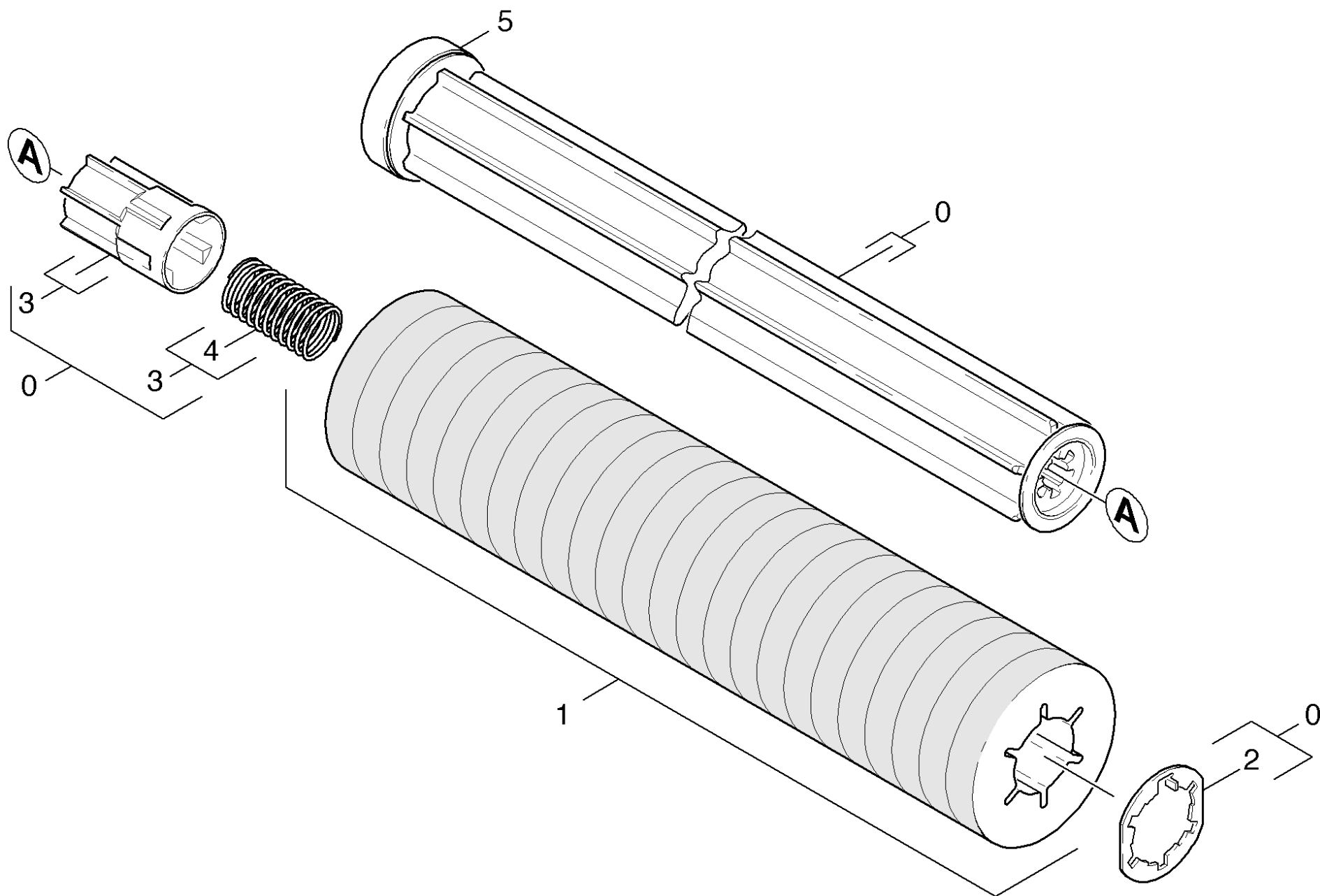


63 Set plug complete blau , 75A , Q-6mm² (6.646-033.0)

POS	Article no.	Description	Quantity	Unit
10	6.643-045.0	Plug housing blue 75 A	1	PC
20	6.646-979.0	Switch contact 6 mm ²	1	PC

68 Tension roller D = 33,5 (4.250-083.0)

POS	Article no.	Description	Quantity	Unit
10	6.401-363.0	Ball bearing	2	PC

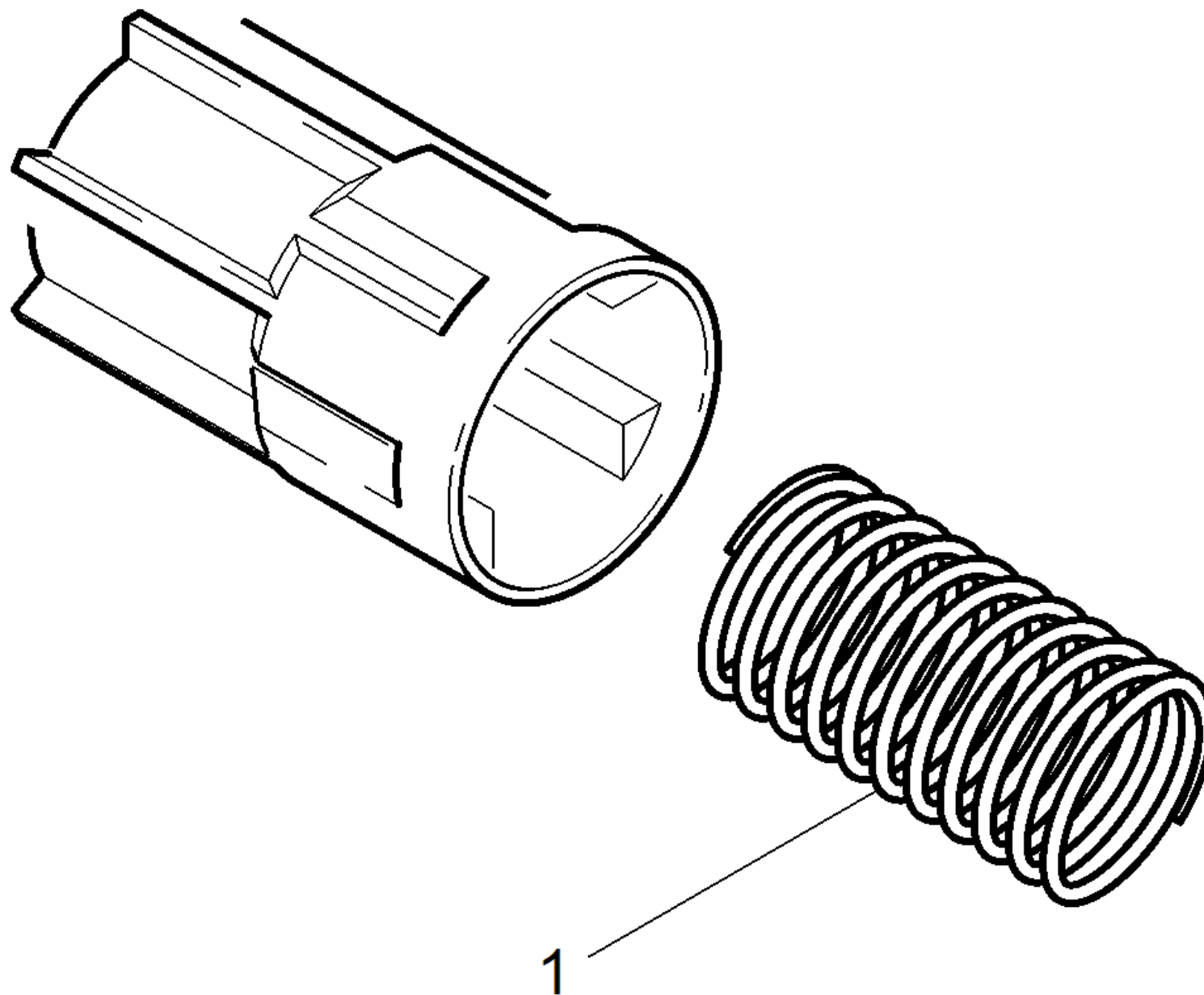


20 Roll pad

POS	Article no.	Description	Quantity	Unit	Remark
0	4.762-413.0	Roll Pad BR45	1	PC	
1	4.114-009.0	Micro-fibre roll complete BR 45/40	1	PC	
1	4.114-011.0	Roll stripping 450mm	1	PC	
1	6.367-105.0	Pad yellow with sleeve BR 45/40	1	ZSA	BR 55/40
1	6.367-106.0	Pad green with sleeve BR 45/40	1	ZSA	BR 55/40
1	6.367-107.0	Pad red with sleeve BR 45/40	1	ZSA	BR 55/40
1	6.367-108.0	Pad white with sleeve BR 45/40	1	ZSA	BR 55/40
2	4.115-003.0	Washer closure	1	PC	
3	5.120-313.0	Hub pad roll BR VS	1	PC	
4	5.332-469.0	Helical spring	1	PC	
5	4.038-677.0	Sheet metal component thread deflector	1	PC	

1 Micro-fibre roll complete BR 45/40 (4.114-009.0)

POS	Description	Quantity	Unit
10	Carrier micro-fibre	2	PC
20	Sleeve micro-fibre	0,112	ZST

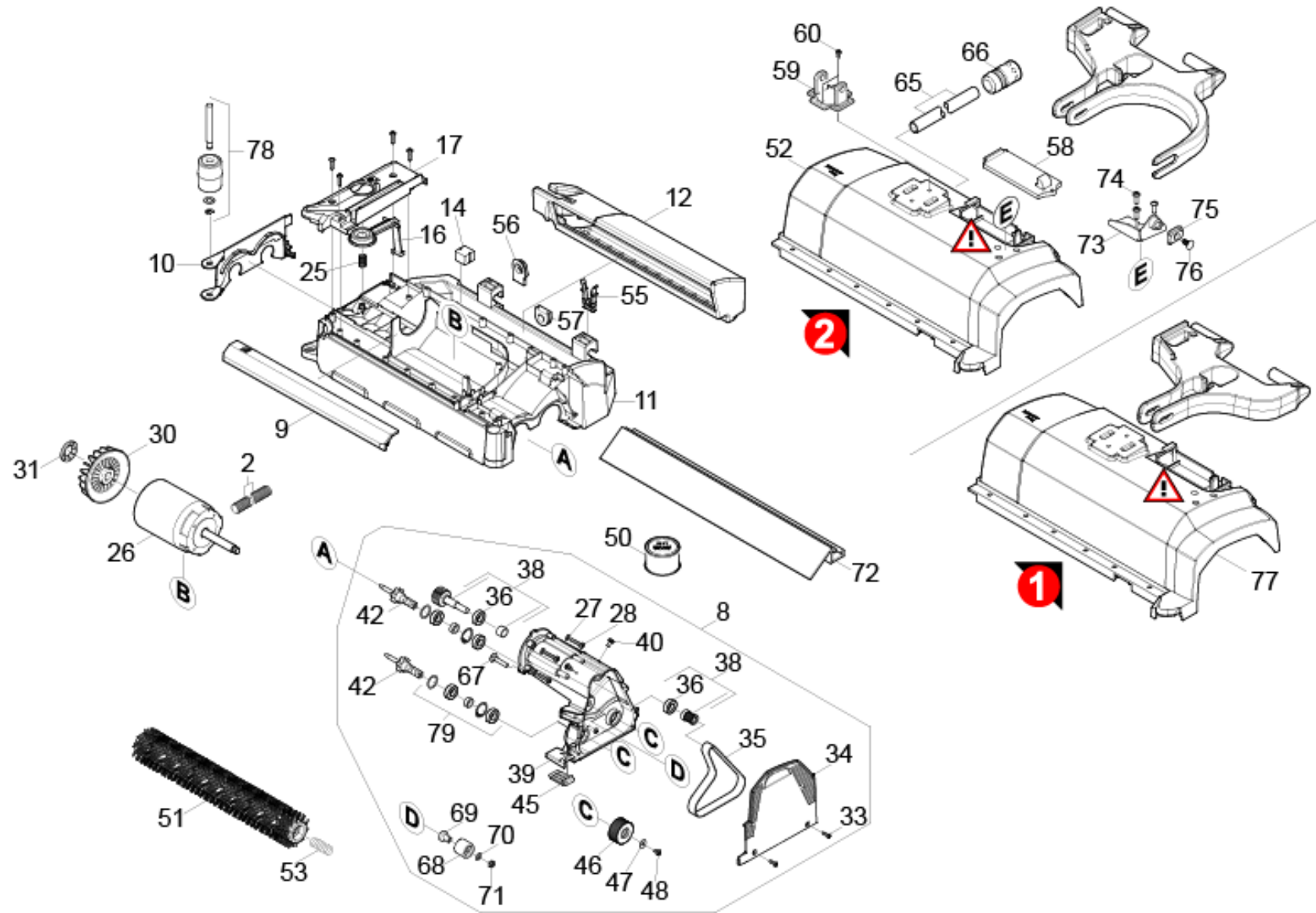


3 Hub pad roll BR VS (5.120-313.0)

POS	Article no.	Description	Quantity	Unit
1	5.332-469.0	Helical spring	1	PC

1060 Brush-head R 45 Ep 230V

POS	Description	Quantity	Unit
10	Power brush synchronous run BR	1	PC
20	Roll pad	1	PC

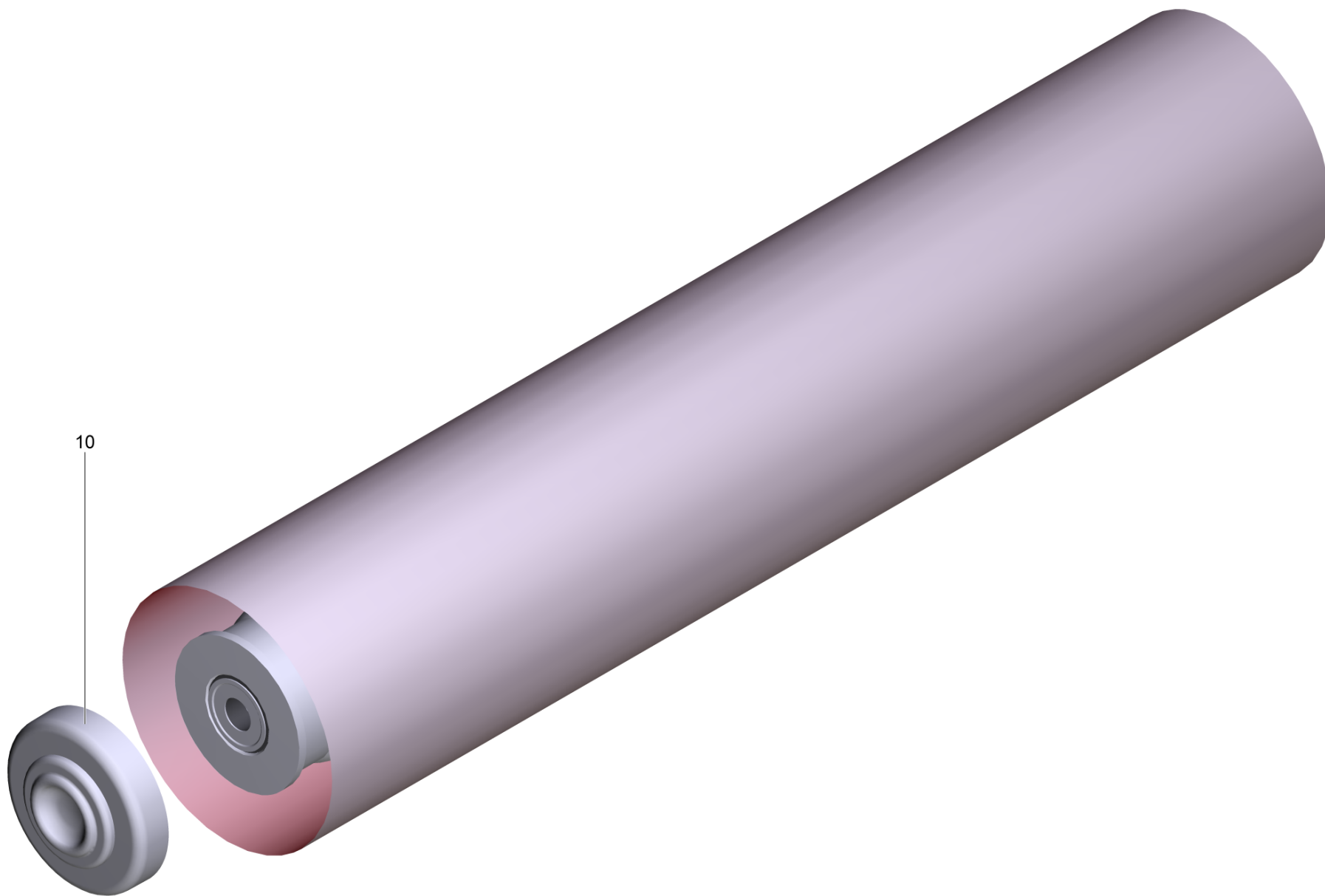


10 Power brush synchronous run BR

POS	Article no.	Description	Quantity	Unit	Remark	Foot note text
2	6.435-873.0	Piece of tube	1	PC		
8	4.035-502.0	Gear complete synchronous run	1	PC		
9	5.035-402.0	Strip water distributor R 45	1	PC		
10	5.035-393.0	Brushes retainer	1	PC		
11	5.035-387.0	Housing bottom part R 45	1	PC		
12	5.035-396.0	Sweep tank R 45	1	PC		
14	5.035-447.0	Plug	1	PC		
16	5.035-458.0	Brushes locking part	1	PC		
17	5.035-405.0	Housing top part locking part	1	PC		
18	7.303-113.0	Screw 6x25 -10.9-R2R (In6Rd)	8	PC		
25	6.330-450.0	Pressure spring	1	PC		
26	4.035-417.0	Motor replacement	1	PC	230 V	
27	7.312-026.0	Washer 6 -A2 ISO 7089	4	PC		
28	7.306-196.0	Screw M 6x30-A2-70 (IN6RD)	4	PC		
30	6.612-764.0	Blower wheel	1	PC		
31	6.343-149.0	Quick-fastener	1	PC		
33	7.303-038.0	Screw M5x12 -St-P2R (In6Rd)	2	PC		
34	5.035-385.0	Cover gear	1	PC		
35	4.035-425.0	Toothed belt replacement	1	PC		
36	7.401-115.0	Ball bearing 6002-2RS -WAE LZLAGST DIN 62	2	PC		
38	4.035-423.0	Shaft replacement synchronous run	1	PC		
39	5.035-384.0	Carrier motor worked R	1	PC		
40	7.306-089.0	Screw M6x12 -8.8-R2R (In6Rd)	1	PC		
42	5.101-104.0	Driveshaft	2	PC		
45	5.056-010.0	Rocker BR-VS	1	PC		
46	5.625-507.0	Belt pulley 56Z	2	PC		
47	7.312-276.0	Washer 6 -200HV-A2E ISO7093-1	2	PC		
48	6.304-180.0	Screw M6X12-A2/70-ISO7045 (IN6RD)	2	PC		
50	6.288-095.0	Viscous oil	1	PC		
51	4.762-392.0	Roller brush complete red BR 45/40	2	PC		
51	4.762-405.0	Roller brush complete white BR 45/40	2	PC		
51	4.762-406.0	Roller brush complete orange BR 45/40	2	PC		

10 Power brush synchronous run BR

POS	Article no.	Description	Quantity	Unit	Remark	Foot note text
51	4.762-407.0	Roller brush complete green BR 45/40	2	PC		
51	4.762-408.0	Roller brush complete black BR 45/40	2	PC		
52	5.035-388.0	Housing top part R 45	1	PC		
53	5.332-114.0	Helical spring	1	PC		
55	5.035-424.0	Snap-fit	2	PC		
56	5.035-448.0	Wire protecting sleeve	1	PC		
57	6.648-064.0	Cable bushing	1	PC		
58	5.035-386.0	Cover electric box	1	PC		
59	5.035-604.0	Suspension seal brush-head BD	1	PC		
60	7.303-038.0	Screw M5x12 -St-P2R (In6Rd)	2	PC		
65	6.390-892.0	Spiral hose NW12	1	m		TO ORDER AS CUT GOODS
66	2.645-191.0	Hose coupling entry Universal	1	PC		
67	7.303-186.0	Saucer-head screw M8x40 -St-A0P DIN 603	1	PC		
68	4.250-083.0	Tension roller D = 33,5	1	PC		
69	5.110-700.0	Sleeve	1	PC		
70	7.312-017.0	Washer 8-A2 ISO 7089	1	PC		
71	7.311-427.0	Hexagon nut M8 -04-A2E DIN 985	1	PC		
72	5.035-398.0	Rubberlip synchronous run R 45	1	PC		
73	5.035-782.0	Suspension brush-head R	1	PC		VERSION 2
74	7.303-112.0	Screw 6x20 -10.9-R2R (In6Rd)	3	PC		VERSION 2
75	5.035-673.0	Sliding shoe	1	PC		VERSION 2
76	6.343-261.0	Quick-fastener	1	PC		VERSION 2
77	2.882-736.0	Conversion kit R45-Kopf B40	1	PC	R55	VERSION 1
78	4.035-610.0	Set deflector roll	1	PC		
79	4.035-611.0	Set transmission power brush	2	PC		

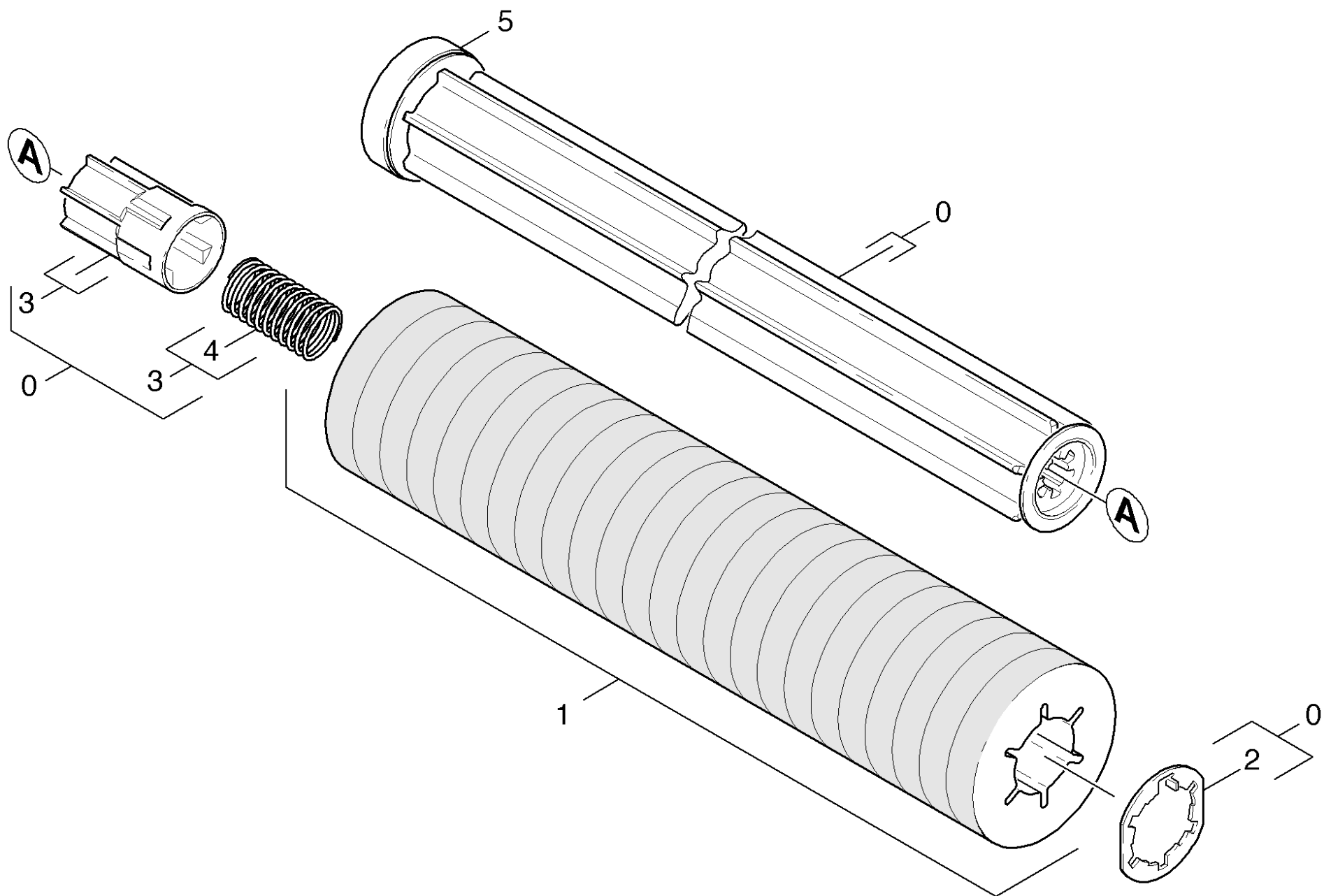


51 Roller brush complete red BR 45/40 (4.762-392.0)

POS	Article no.	Description	Quantity	Unit
10	5.033-673.0	Thread deflector	1	PC

68 Tension roller D = 33,5 (4.250-083.0)

POS	Article no.	Description	Quantity	Unit
10	6.401-363.0	Ball bearing	2	PC

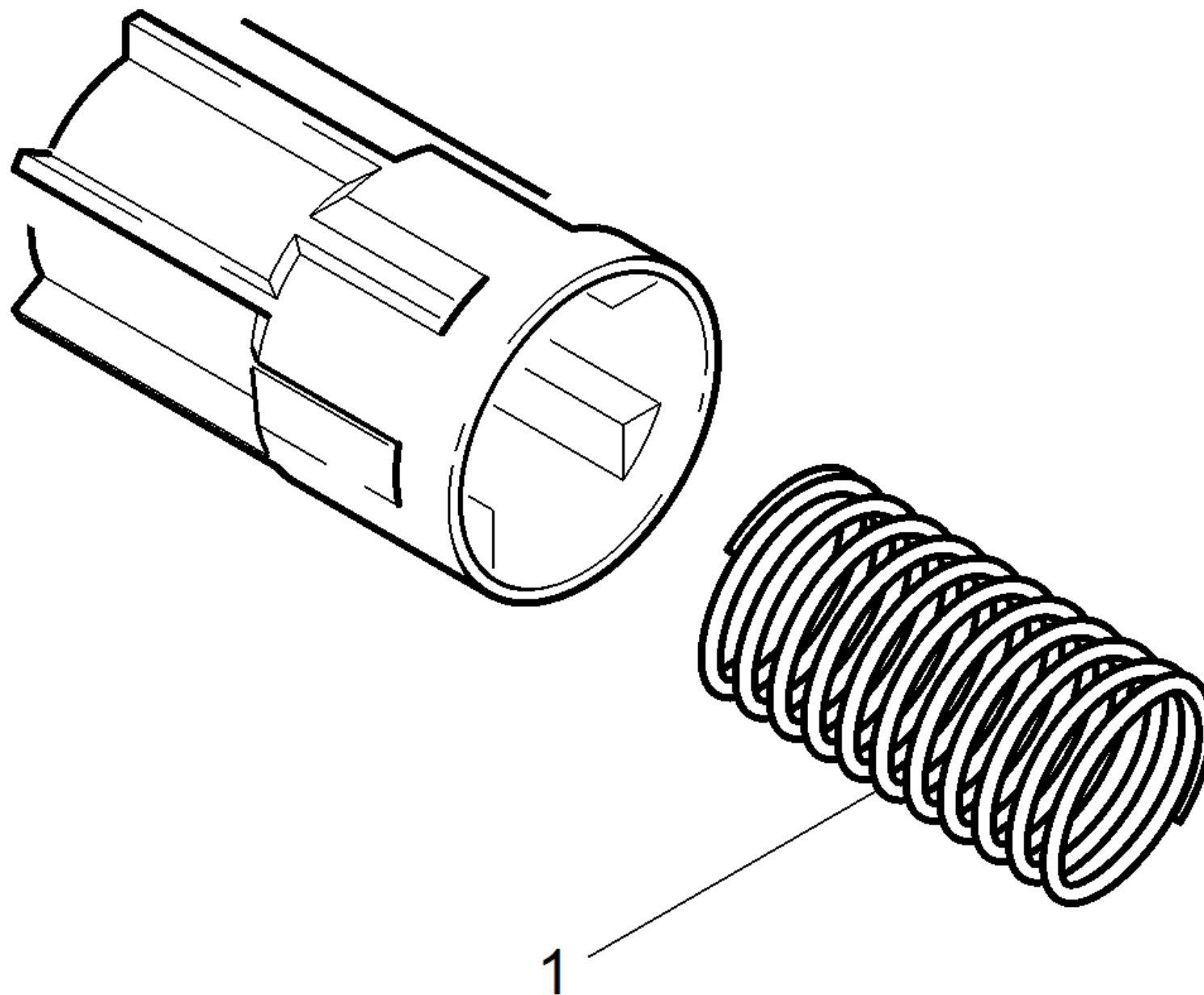


20 Roll pad

POS	Article no.	Description	Quantity	Unit	Remark
0	4.762-413.0	Roll Pad BR45	1	PC	
1	4.114-009.0	Micro-fibre roll complete BR 45/40	1	PC	
1	4.114-011.0	Roll stripping 450mm	1	PC	
1	6.367-105.0	Pad yellow with sleeve BR 45/40	1	ZSA	BR 55/40
1	6.367-106.0	Pad green with sleeve BR 45/40	1	ZSA	BR 55/40
1	6.367-107.0	Pad red with sleeve BR 45/40	1	ZSA	BR 55/40
1	6.367-108.0	Pad white with sleeve BR 45/40	1	ZSA	BR 55/40
2	4.115-003.0	Washer closure	1	PC	
3	5.120-313.0	Hub pad roll BR VS	1	PC	
4	5.332-469.0	Helical spring	1	PC	
5	4.038-677.0	Sheet metal component thread deflector	1	PC	

1 Micro-fibre roll complete BR 45/40 (4.114-009.0)

POS	Description	Quantity	Unit
10	Carrier micro-fibre	2	PC
20	Sleeve micro-fibre	0,112	ZST

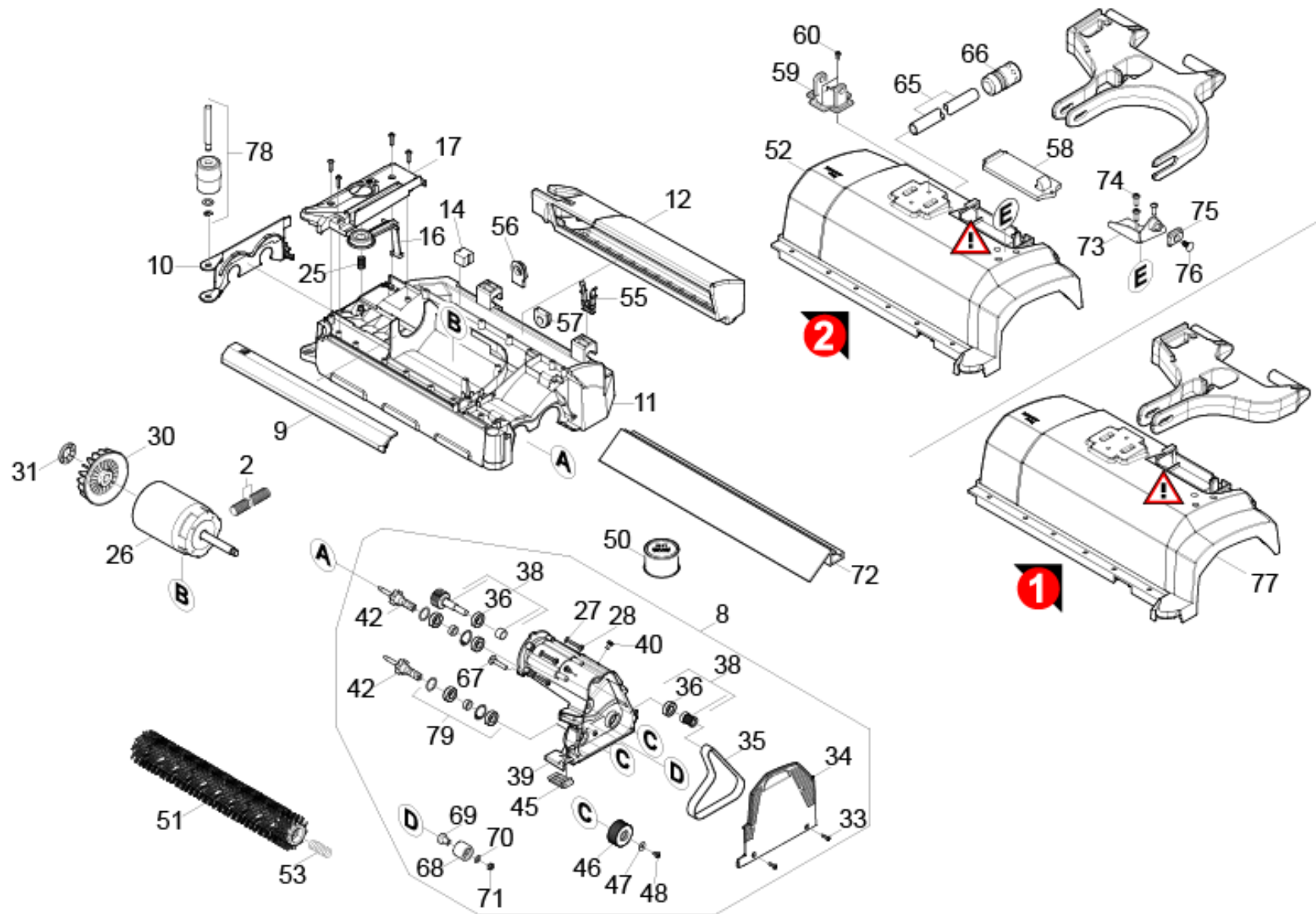


3 Hub pad roll BR VS (5.120-313.0)

POS	Article no.	Description	Quantity	Unit
1	5.332-469.0	Helical spring	1	PC

1070 Brush-head R 45 Ep 120V

POS	Description	Quantity	Unit
10	Power brush synchronous run BR	1	PC
20	Roll pad	1	PC

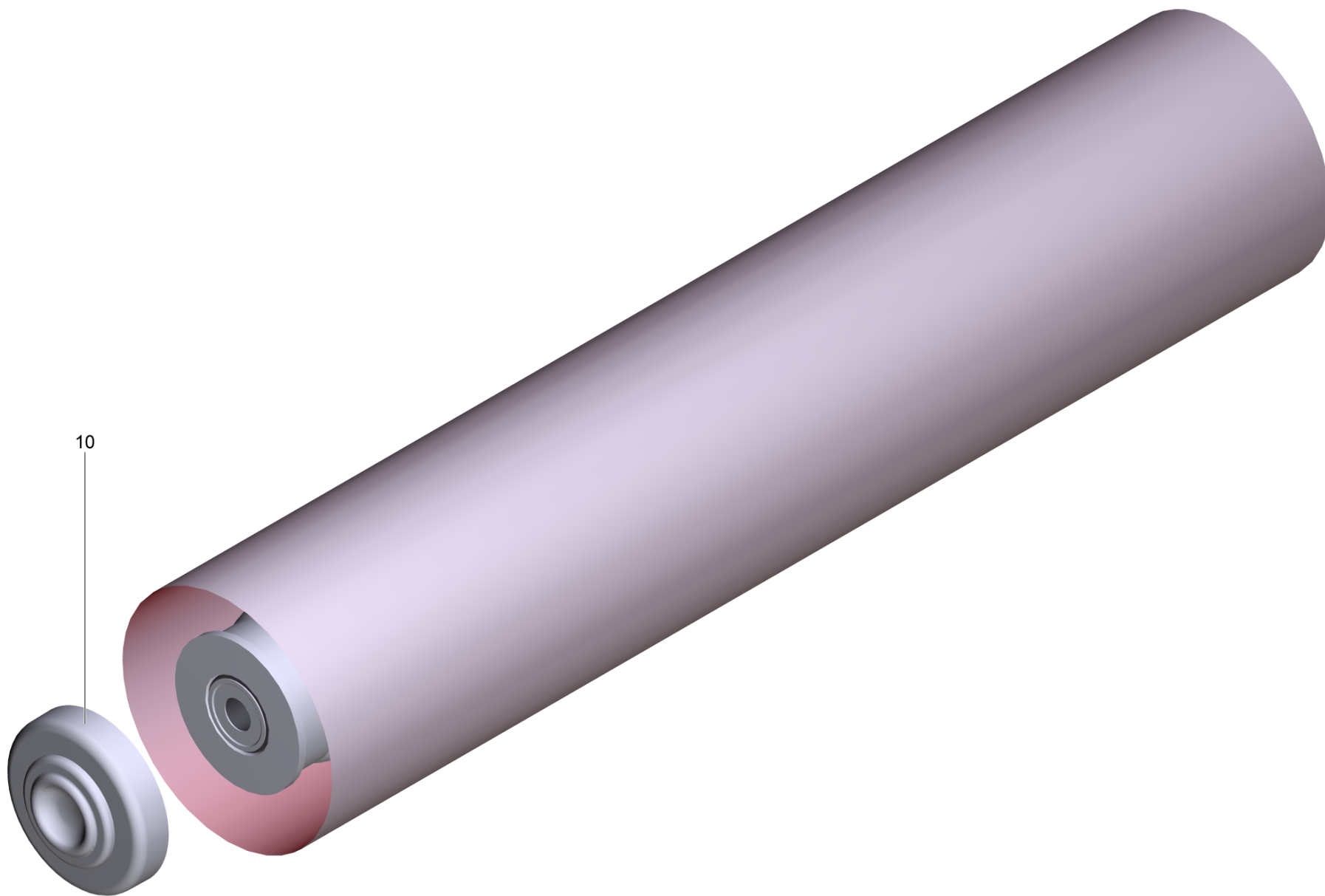


10 Power brush synchronous run BR

POS	Article no.	Description	Quantity	Unit	Remark	Foot note text
2	6.435-873.0	Piece of tube	1	PC		
8	4.035-502.0	Gear complete synchronous run	1	PC		
9	5.035-402.0	Strip water distributor R 45	1	PC		
10	5.035-393.0	Brushes retainer	1	PC		
11	5.035-387.0	Housing bottom part R 45	1	PC		
12	5.035-396.0	Sweep tank R 45	1	PC		
14	5.035-447.0	Plug	1	PC		
16	5.035-458.0	Brushes locking part	1	PC		
17	5.035-405.0	Housing top part locking part	1	PC		
18	7.303-113.0	Screw 6x25 -10.9-R2R (In6Rd)	8	PC		
25	6.330-450.0	Pressure spring	1	PC		
26	4.035-418.0	Motor replacement	1	PC	120 V	
27	7.312-026.0	Washer 6 -A2 ISO 7089	4	PC		
28	7.306-196.0	Screw M 6x30-A2-70 (IN6RD)	4	PC		
30	6.612-764.0	Blower wheel	1	PC		
31	6.343-149.0	Quick-fastener	1	PC		
33	7.303-038.0	Screw M5x12 -St-P2R (In6Rd)	2	PC		
34	5.035-385.0	Cover gear	1	PC		
35	4.035-425.0	Toothed belt replacement	1	PC		
36	7.401-115.0	Ball bearing 6002-2RS -WAE LZLAGST DIN 62	2	PC		
38	4.035-423.0	Shaft replacement synchronous run	1	PC		
39	5.035-384.0	Carrier motor worked R	1	PC		
40	7.306-089.0	Screw M6x12 -8.8-R2R (In6Rd)	1	PC		
42	5.101-104.0	Driveshaft	2	PC		
45	5.056-010.0	Rocker BR-VS	1	PC		
46	5.625-507.0	Belt pulley 56Z	2	PC		
47	7.312-276.0	Washer 6 -200HV-A2E ISO7093-1	2	PC		
48	6.304-180.0	Screw M6X12-A2/70-ISO7045 (IN6RD)	2	PC		
50	6.288-095.0	Viscous oil	1	PC		
51	4.762-392.0	Roller brush complete red BR 45/40	2	PC		
51	4.762-405.0	Roller brush complete white BR 45/40	2	PC		
51	4.762-406.0	Roller brush complete orange BR 45/40	2	PC		

10 Power brush synchronous run BR

POS	Article no.	Description	Quantity	Unit	Remark	Foot note text
51	4.762-407.0	Roller brush complete green BR 45/40	2	PC		
51	4.762-408.0	Roller brush complete black BR 45/40	2	PC		
52	5.035-388.0	Housing top part R 45	1	PC		
53	5.332-114.0	Helical spring	1	PC		
55	5.035-424.0	Snap-fit	2	PC		
56	5.035-448.0	Wire protecting sleeve	1	PC		
57	6.648-064.0	Cable bushing	1	PC		
58	5.035-386.0	Cover electric box	1	PC		
59	5.035-604.0	Suspension seal brush-head BD	1	PC		
60	7.303-038.0	Screw M5x12 -St-P2R (In6Rd)	2	PC		
65	6.390-892.0	Spiral hose NW12	1	m		TO ORDER AS CUT GOODS
66	2.645-191.0	Hose coupling entry Universal	1	PC		
67	7.303-186.0	Saucer-head screw M8x40 -St-A0P DIN 603	1	PC		
68	4.250-083.0	Tension roller D = 33,5	1	PC		
69	5.110-700.0	Sleeve	1	PC		
70	7.312-017.0	Washer 8-A2 ISO 7089	1	PC		
71	7.311-427.0	Hexagon nut M8 -04-A2E DIN 985	1	PC		
72	5.035-398.0	Rubberlip synchronous run R 45	1	PC		
73	5.035-782.0	Suspension brush-head R	1	PC		VERSION 2
74	7.303-112.0	Screw 6x20 -10.9-R2R (In6Rd)	3	PC		VERSION 2
75	5.035-673.0	Sliding shoe	1	PC		VERSION 2
76	6.343-261.0	Quick-fastener	1	PC		VERSION 2
77	2.882-736.0	Conversion kit R45-Kopf B40	1	PC	R55	VERSION 1
78	4.035-610.0	Set deflector roll	1	PC		
79	4.035-611.0	Set transmission power brush	2	PC		

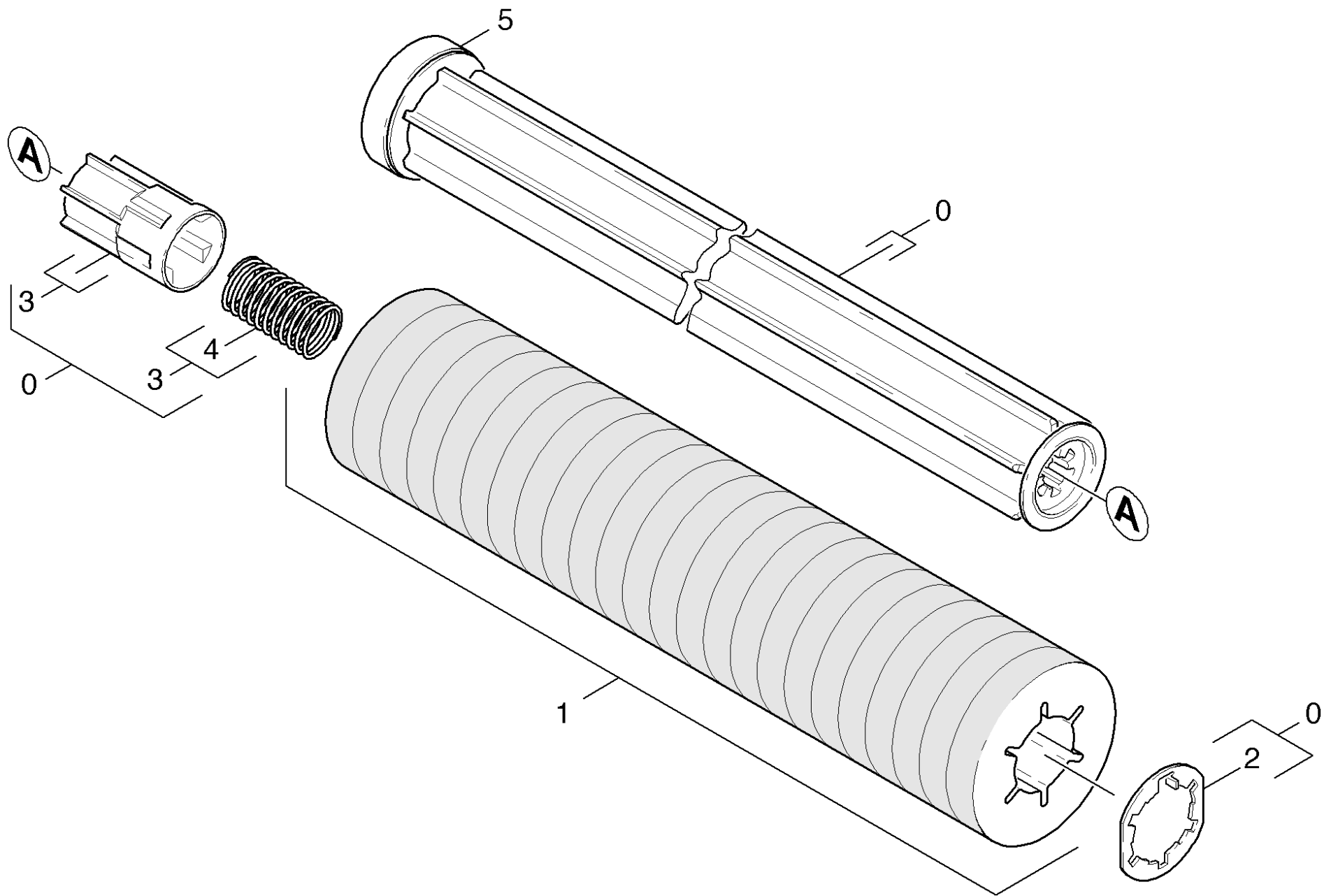


51 Roller brush complete red BR 45/40 (4.762-392.0)

POS	Article no.	Description	Quantity	Unit
10	5.033-673.0	Thread deflector	1	PC

68 Tension roller D = 33,5 (4.250-083.0)

POS	Article no.	Description	Quantity	Unit
10	6.401-363.0	Ball bearing	2	PC

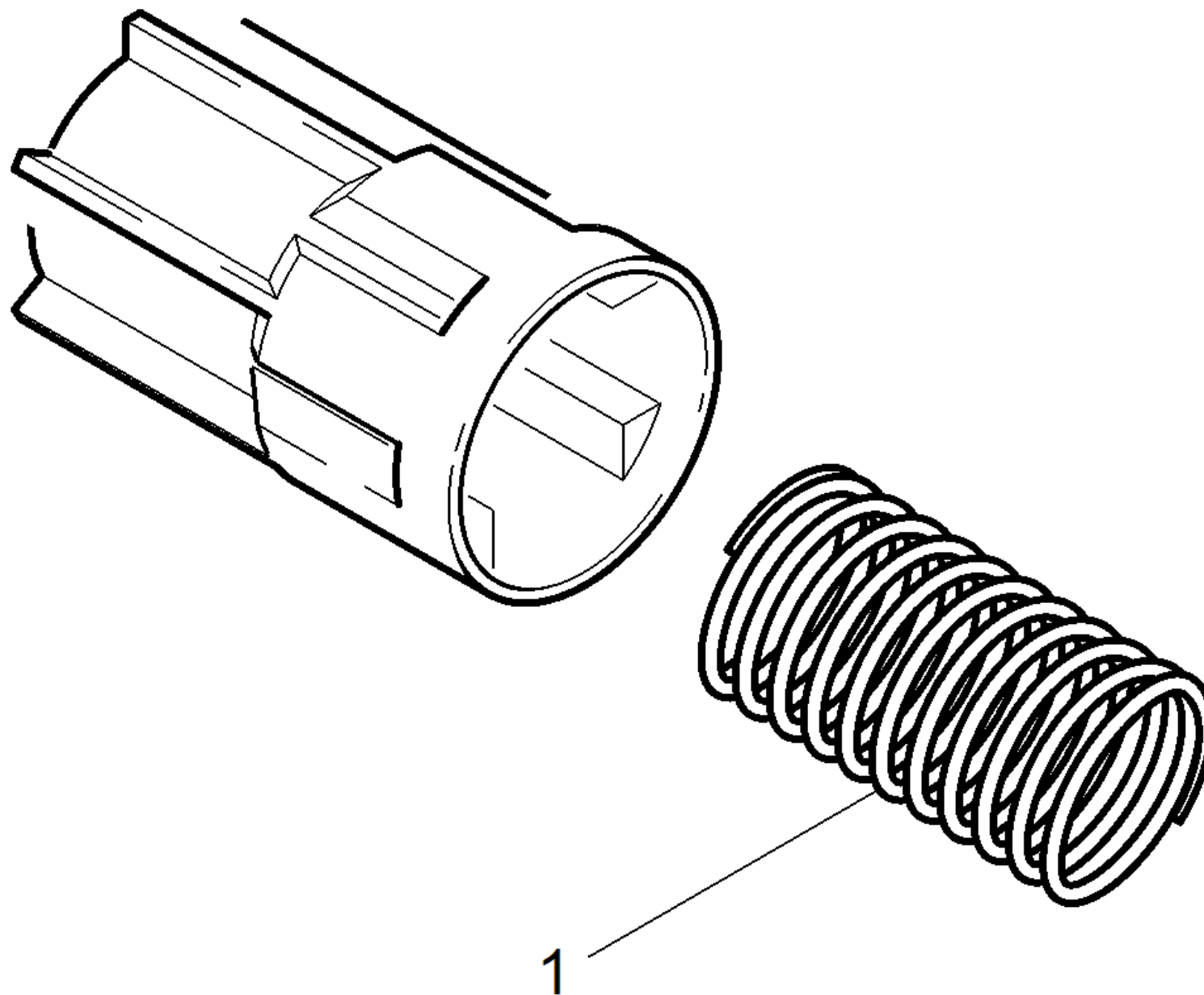


20 Roll pad

POS	Article no.	Description	Quantity	Unit	Remark
0	4.762-413.0	Roll Pad BR45	1	PC	
1	4.114-009.0	Micro-fibre roll complete BR 45/40	1	PC	
1	4.114-011.0	Roll stripping 450mm	1	PC	
1	6.367-105.0	Pad yellow with sleeve BR 45/40	1	ZSA	BR 55/40
1	6.367-106.0	Pad green with sleeve BR 45/40	1	ZSA	BR 55/40
1	6.367-107.0	Pad red with sleeve BR 45/40	1	ZSA	BR 55/40
1	6.367-108.0	Pad white with sleeve BR 45/40	1	ZSA	BR 55/40
2	4.115-003.0	Washer closure	1	PC	
3	5.120-313.0	Hub pad roll BR VS	1	PC	
4	5.332-469.0	Helical spring	1	PC	
5	4.038-677.0	Sheet metal component thread deflector	1	PC	

1 Micro-fibre roll complete BR 45/40 (4.114-009.0)

POS	Description	Quantity	Unit
10	Carrier micro-fibre	2	PC
20	Sleeve micro-fibre	0,112	ZST

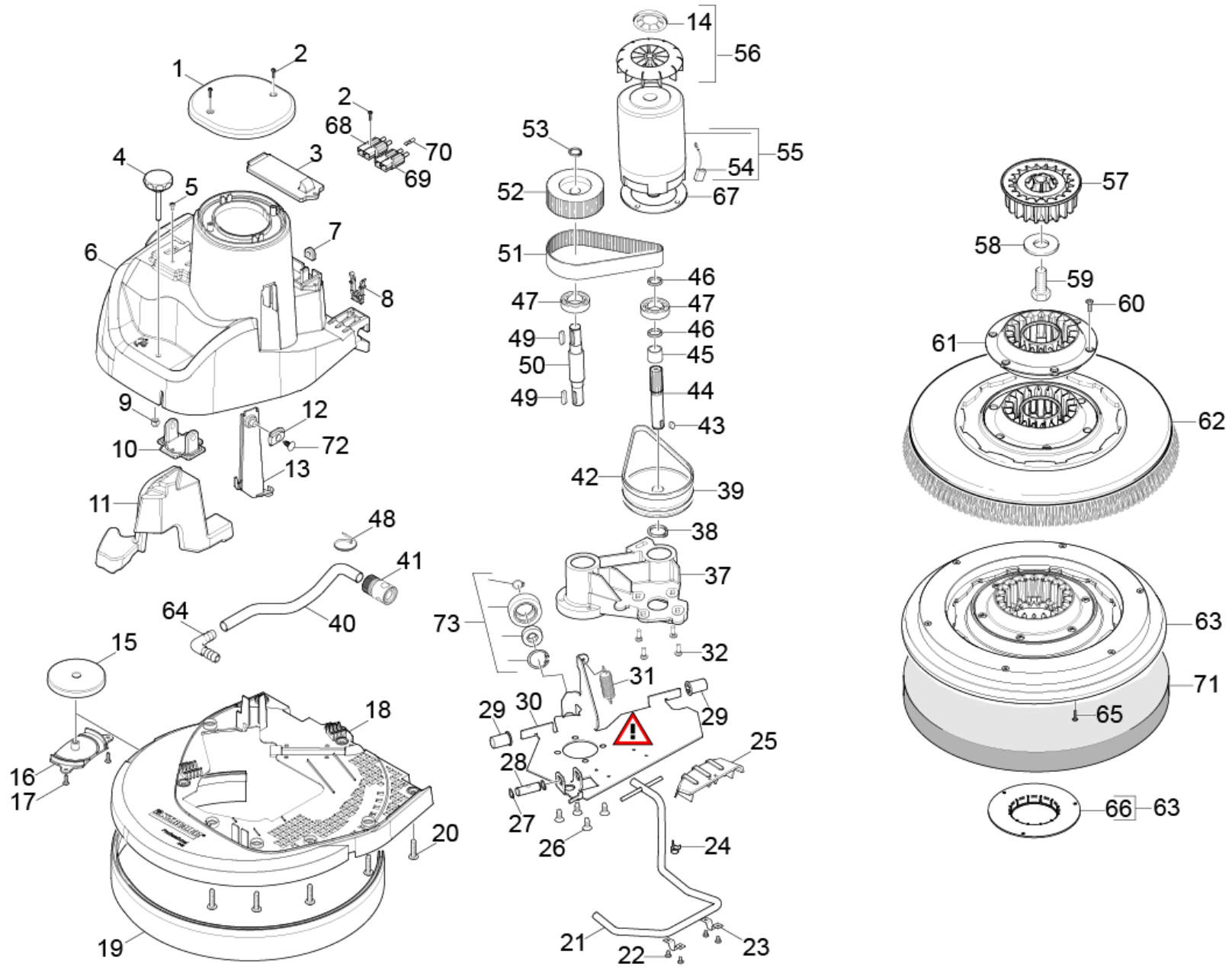


3 Hub pad roll BR VS (5.120-313.0)

POS	Article no.	Description	Quantity	Unit
1	5.332-469.0	Helical spring	1	PC

1100 Brush-head D 43 Bp

POS	Description	Quantity	Unit	Foot note text
10	Power brush BD	1	PC	VERSION 1
11	Power brush BD	1	PC	VERSION 2



10 Power brush BD

POS	Article no.	Description	Quantity	Unit	Remark	Foot note text
1	5.035-500.0	Motor cover BD	1	PC		
2	7.303-107.0	Screw 5x16 -10.9-P2R (K-In6Rd)	4	PC		
3	5.035-386.0	Cover electric box	1	PC		
4	6.321-249.0	Star grip	1	PC		
5	7.303-038.0	Screw M5x12 -St-P2R (In6Rd)	2	PC		
6	5.035-411.0	Cover BD	1	PC		
7	6.648-064.0	Cable bushing	1	PC		
8	5.035-424.0	Snap-fit	2	PC		
9	7.311-514.0	Hexagon nut M 8-A2-70 ISO 7040	1	PC		
10	5.035-604.0	Suspension seal brush-head BD	1	PC		
11	5.035-693.0	Additional weight BD40W	1	PC		
12	5.035-673.0	Sliding shoe	1	PC		
13	5.035-674.0	Mounting plate brush-head D43 / D51	1	PC		
14	6.343-149.0	Quick-fastener	1	PC		
15	5.035-499.0	Deflector roll	1	PC		
16	5.035-498.0	Fixing deflector roll	1	PC		
17	7.303-107.0	Screw 5x16 -10.9-P2R (K-In6Rd)	2	PC		
18	5.035-414.0	Cover disk D43	1	PC	D43	
19	5.035-416.0	Splash-proof profile D43	1	PC	D43	
20	6.303-315.0	Screw 8 x 35	11	PC		
21	4.035-435.0	Lever complete BD 40	1	PC		
22	7.303-328.0	Screw M5x8 -St-flZn/nc480h/C (In6Rd)	4	PC		
23	6.373-689.0	Pipe clamp	2	PC		
24	6.388-559.0	Hose clip	1	PC		
25	5.481-370.0	Pedal lever notch	1	PC		
26	7.303-226.0	Countersunk screw M8x20-St-A3E DIN7500(I)	4	PC		VERSION 1
27	7.343-036.0	Locking ring 14x1-FST-RF DIN 471	2	PC		
28	5.035-683.0	Bolt contact pressure adjustment	1	PC		
29	5.035-711.0	Bearing bush	2	PC		
30	4.035-438.0	Base plate transmission complete	1	PC		
31	6.330-093.0	Extension spring	1	PC		
32	7.306-090.0	Screw M6x16 -8.8-P2R (In6Rd)	4	PC		

10 Power brush BD

POS	Article no.	Description	Quantity	Unit	Remark	Foot note text
37	5.044-897.0	Holder belt drive	1	PC		
38	7.343-007.0	Locking ring 20x1,2-FST-RF DIN 471	1	PC		
39	5.625-403.0	Toothed lock washer 125Z	1	PC		
40	6.388-248.0	Hose DN12,7	1	m		TO ORDER AS CUT GOODS
41	2.645-191.0	Hose coupling entry Universal	1	PC		
42	6.348-383.0	Toothed belt HTD-447-3M-15 CXPIII	1	PC		
43	7.318-004.0	Parallel key A 6x6x12-C45K DIN 6885-1	1	PC		
44	5.100-379.0	Shaft belt drive 2	1	PC		
45	5.112-619.0	Bush for belt drive	1	PC		
46	5.112-616.0	Bush	2	PC		
47	7.401-173.0	Ball bearing 6204-2RS-WAELZLAGST DIN 625	4	PC		
48	6.641-463.0	Cable tape	2	PC		
49	7.318-031.0	Parallel key 6x6x28 -C45K DIN 6885-1	2	PC		
50	5.100-378.0	Shaft belt drive 1 BD 530	1	PC		
51	6.348-384.0	Toothed belt HTD-475-5M-40 CXPIII	1	PC		
52	5.625-402.0	Toothed lock washer 63Z	1	PC		
53	7.343-018.0	Locking ring 18x1,2-Rf-St DIN 471	1	PC		
54	6.610-026.0	Carbon brush set	1	PC	Hengye	
54	6.610-239.0	Carbon brush set ATAS	1	PC	ATAS	
55	4.623-077.0	Direct current motor replacement Hengye	1	PC	Hengye	
55	7.777-999.0	Stockpiling discontinued	1	PC	ATAS	
56	6.610-027.0	Blower wheel only for replacement Hengye	1	PC	Hengye	
56	6.613-025.0	Blower wheel	1	PC	ATAS	
57	5.037-537.0	Retainer transmission	1	PC		VERSION 1
58	7.312-268.0	Washer 8 -A2 ISO 7094	1	PC		
59	6.304-176.0	Hexagonal head screw M8x16-A4-70 ISO 401	1	PC		VERSION 1
60	7.303-112.0	Screw 6x20 -10.9-R2R (In6Rd)	6	PC		
61	5.033-002.0	Retainer brush SWS	1	PC		
62	4.905-025.0	Disc brush complete black D43	1	PC		
62	4.905-024.0	Disc brush complete white D43	1	PC		

10 Power brush BD

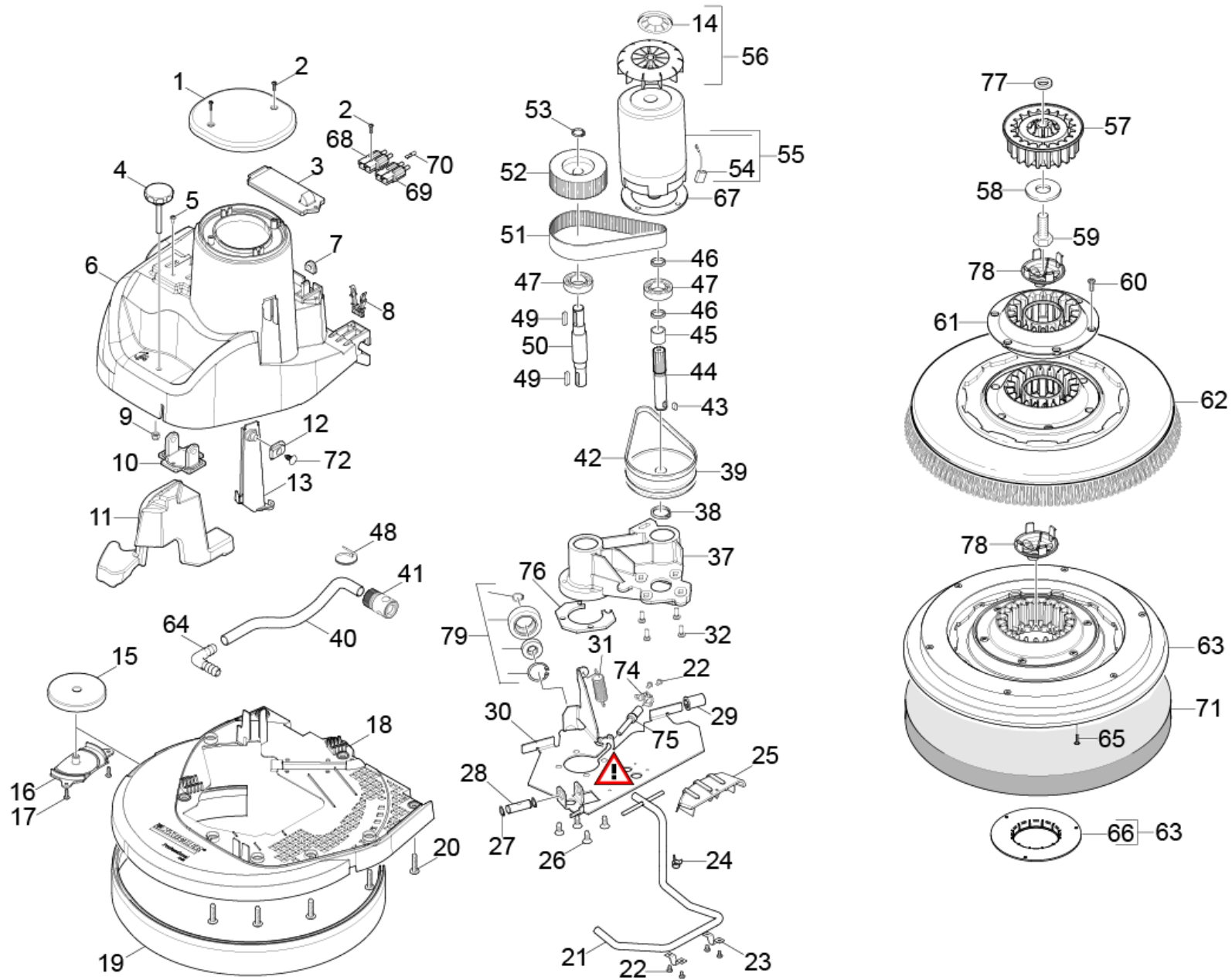
POS	Article no.	Description	Quantity	Unit	Remark	Foot note text
62	4.905-023.0	Disc brush complete nature D43	1	PC		
62	4.905-022.0	Disc brush complete red D43	1	PC		
63	4.762-533.0	Pad disk complete D43	1	PC	D43	
63	4.762-592.0	Pad disk complete STRONG D43	1	PC	D43	ATTENTION! FITS ONLY TO PAD "MELAMIN"
64	6.388-628.0	Elbow connector 1/2"	1	PC		
65	7.303-096.0	Screw 4x22-ST-10.9-R2R (IN6RD)	3	PC		
66	5.122-015.0	Centerlock	1	PC		
67	5.114-480.0	Ring motor	1	PC	D43	
68	6.643-047.0	Plug red complete 75A 12mm ²	1	PC	BAT	
69	6.643-048.0	Plug blue complete 75A 12mm ²	1	PC	BAT	
70	6.646-979.0	Switch contact 6 mm ²	1	PC	BAT	
71	6.369-469.0	Polishing pad white	1	ZSA		
71	6.369-470.0	Pad red	1	ZSA		
71	6.369-472.0	Pad green	1	ZSA		
71	6.369-473.0	Pad black	1	ZSA		
71	6.371-023.0	Pad set 2x D 430 Melamin	1	PC		FITS ONLY TO DISK PAD "STRONG"
71	6.371-081.0	Polishing pad beige	1	PC		
71	6.371-149.0	Polishing pad beige 432 mm	1	PC		
72	6.343-261.0	Quick-fastener	1	PC		
73	9.753-044.0	Brush contact pressure complete B 25	1	PC		

21 Lever complete BD 40 (4.035-435.0)

POS	Article no.	Description	Quantity	Unit
2	5.105-638.0	Axle	1	PC

62 Disc brush complete red D43 (4.905-022.0)

POS	Article no.	Description	Quantity	Unit
2	5.033-002.0	Retainer brush SWS	1	PC



11 Power brush BD

POS	Article no.	Description	Quantity	Unit	Remark	Foot note text
1	5.035-500.0	Motor cover BD	1	PC		
2	7.303-107.0	Screw 5x16 -10.9-P2R (K-In6Rd)	4	PC		
3	5.035-386.0	Cover electric box	1	PC		
4	6.321-249.0	Star grip	1	PC		
5	7.303-038.0	Screw M5x12 -St-P2R (In6Rd)	2	PC		
6	5.035-411.0	Cover BD	1	PC		
7	6.648-064.0	Cable bushing	1	PC		
8	5.035-424.0	Snap-fit	2	PC		
9	7.311-514.0	Hexagon nut M 8-A2-70 ISO 7040	1	PC		
10	5.035-604.0	Suspension seal brush-head BD	1	PC		
11	5.035-693.0	Additional weight BD40W	1	PC		
12	5.035-673.0	Sliding shoe	1	PC		
13	5.035-674.0	Mounting plate brush-head D43 / D51	1	PC		
14	6.343-149.0	Quick-fastener	1	PC		
15	5.035-499.0	Deflector roll	1	PC		
16	5.035-498.0	Fixing deflector roll	1	PC		
17	7.303-107.0	Screw 5x16 -10.9-P2R (K-In6Rd)	2	PC		
18	5.035-414.0	Cover disk D43	1	PC	D43	
19	5.035-416.0	Splash-proof profile D43	1	PC	D43	
20	6.303-315.0	Screw 8 x 35	11	PC		
21	4.035-435.0	Lever complete BD 40	1	PC		
22	7.303-328.0	Screw M5x8 -St-flZn/nc480h/C (In6Rd)	6	PC		
23	6.373-689.0	Pipe clamp	2	PC		
24	6.388-559.0	Hose clip	1	PC		
25	5.481-370.0	Pedal lever notch	1	PC		
26	7.303-328.0	Screw M5x8 -St-flZn/nc480h/C (In6Rd)	4	PC		VERSION 2
27	7.343-036.0	Locking ring 14x1-FST-RF DIN 471	2	PC		
28	5.035-683.0	Bolt contact pressure adjustment	1	PC		
29	5.035-711.0	Bearing bush	2	PC		
30	4.035-438.0	Base plate transmission complete	1	PC		
31	6.330-093.0	Extension spring	1	PC		
32	7.306-090.0	Screw M6x16 -8.8-P2R (In6Rd)	4	PC		
37	5.044-897.0	Holder belt drive	1	PC		

11 Power brush BD

POS	Article no.	Description	Quantity	Unit	Remark	Foot note text
38	7.343-007.0	Locking ring 20x1,2-FST-RF DIN 471	1	PC		
39	5.625-403.0	Toothed lock washer 125Z	1	PC		
40	6.388-248.0	Hose DN12,7	1	m		TO ORDER AS CUT GOODS
41	2.645-191.0	Hose coupling entry Universal	1	PC		
42	6.348-383.0	Toothed belt HTD-447-3M-15 CXPIII	1	PC		
43	7.318-004.0	Parallel key A 6x6x12-C45K DIN 6885-1	1	PC		
44	5.100-379.0	Shaft belt drive 2	1	PC		
45	5.112-619.0	Bush for belt drive	1	PC		
46	5.112-616.0	Bush	2	PC		
47	7.401-173.0	Ball bearing 6204-2RS-WAELZLAGST DIN 625	4	PC		
48	6.641-463.0	Cable tape	2	PC		
49	7.318-031.0	Parallel key 6x6x28 -C45K DIN 6885-1	2	PC		
50	5.100-378.0	Shaft belt drive 1 BD 530	1	PC		
51	6.348-384.0	Toothed belt HTD-475-5M-40 CXPIII	1	PC		
52	5.625-402.0	Toothed lock washer 63Z	1	PC		
53	7.343-018.0	Locking ring 18x1,2-Rf-St DIN 471	1	PC		
54	6.610-026.0	Carbon brush set	1	PC	Hengye	
54	6.610-239.0	Carbon brush set ATAS	1	PC	ATAS	
55	4.623-077.0	Direct current motor replacement Hengye	1	PC	Hengye	
55	7.777-999.0	Stockpiling discontinued	1	PC	ATAS	
56	6.613-025.0	Blower wheel	1	PC	ATAS	
56	6.610-027.0	Blower wheel only for replacement Hengye	1	PC	Hengye	
57	5.037-537.0	Retainer transmission	1	PC		VERSION 2
58	7.312-268.0	Washer 8 -A2 ISO 7094	1	PC		
59	7.304-516.0	Hexagonal head screw M8x20-A4-70 ISO 40	1	PC		VERSION 2
60	7.303-112.0	Screw 6x20 -10.9-R2R (In6Rd)	6	PC		
61	5.033-002.0	Retainer brush SWS	1	PC		
62	4.905-022.0	Disc brush complete red D43	1	PC		
62	4.905-023.0	Disc brush complete nature D43	1	PC		
62	4.905-024.0	Disc brush complete white D43	1	PC		

11 Power brush BD

POS	Article no.	Description	Quantity	Unit	Remark	Foot note text
62	4.905-025.0	Disc brush complete black D43	1	PC		
63	4.762-592.0	Pad disk complete STRONG D43	1	PC	D43	ATTENTION! FITS ONLY TO PAD "MELAMIN"
63	4.762-533.0	Pad disk complete D43	1	PC	D43	
64	6.388-628.0	Elbow connector 1/2"	1	PC		
65	7.303-096.0	Screw 4x22-ST-10.9-R2R (IN6RD)	3	PC		
66	5.122-015.0	Centerlock	1	PC		
67	5.114-480.0	Ring motor	1	PC	D43	
68	6.643-047.0	Plug red complete 75A 12mm ²	1	PC	BAT	
69	6.643-048.0	Plug blue complete 75A 12mm ²	1	PC	BAT	
70	6.646-979.0	Switch contact 6 mm ²	1	PC	BAT	
71	6.371-149.0	Polishing pad beige 432 mm	1	PC		
71	6.371-081.0	Polishing pad beige	1	PC		
71	6.371-023.0	Pad set 2x D 430 Melamin	1	PC		FITS ONLY TO DISK PAD "STRONG"
71	6.369-473.0	Pad black	1	ZSA		
71	6.369-472.0	Pad green	1	ZSA		
71	6.369-470.0	Pad red	1	ZSA		
71	6.369-469.0	Polishing pad white	1	ZSA		
72	6.343-261.0	Quick-fastener	1	PC		
74	5.047-072.0	Strap fixing	1	PC		VERSION 2
75	5.116-081.0	Reducer	1	PC		VERSION 2
76	5.047-065.0	Packing plate	1	PC		VERSION 2
77	5.112-018.0	Washer 18,2x30x5	1	PC		VERSION 2
78	5.037-490.0	Guide water D-Kopf	1	PC		ORDER ACCORDING TO CONSUMPTION
79	9.753-044.0	Brush contact pressure complete B 25	1	PC		

21 Lever complete BD 40 (4.035-435.0)

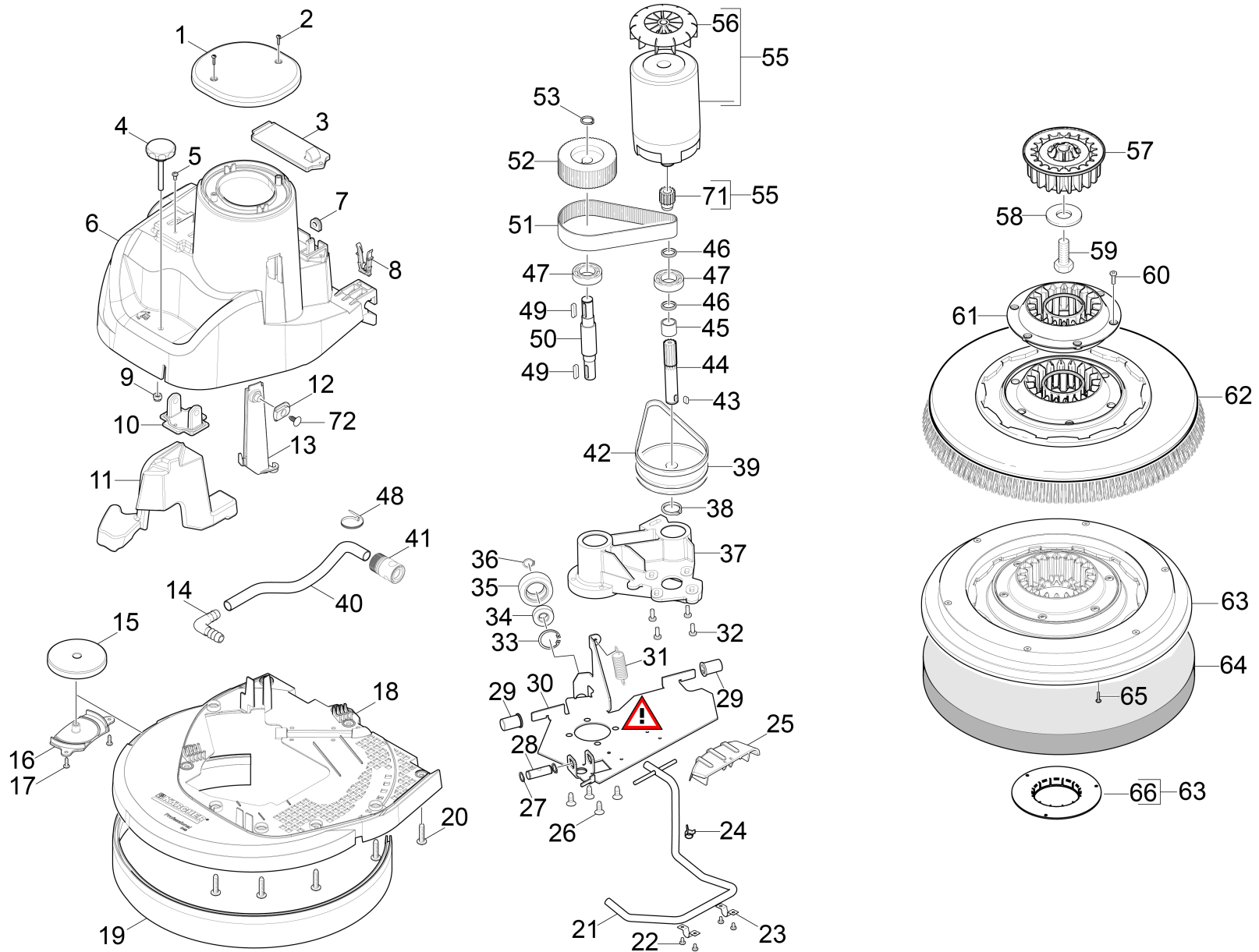
POS	Article no.	Description	Quantity	Unit
2	5.105-638.0	Axle	1	PC

62 Disc brush complete red D43 (4.905-022.0)

POS	Article no.	Description	Quantity	Unit
2	5.033-002.0	Retainer brush SWS	1	PC

1110 Brush-head D 43 Ep 230V

POS	Description	Quantity	Unit	Foot note text
10	Power brush BD	1	PC	VERSION 1
11	Power brush BD	1	PC	VERSION 2



10 Power brush BD

POS	Article no.	Description	Quantity	Unit	Remark	Foot note text
1	5.035-500.0	Motor cover BD	1	PC		
2	7.303-107.0	Screw 5x16 -10.9-P2R (K-In6Rd)	2	PC		
3	5.035-386.0	Cover electric box	1	PC		
4	6.321-249.0	Star grip	1	PC		
5	7.303-038.0	Screw M5x12 -St-P2R (In6Rd)	2	PC		
6	5.035-411.0	Cover BD	1	PC		
7	6.648-064.0	Cable bushing	1	PC		
8	5.035-424.0	Snap-fit	2	PC		
9	7.311-514.0	Hexagon nut M 8-A2-70 ISO 7040	1	PC		
10	5.035-604.0	Suspension seal brush-head BD	1	PC		
11	5.035-693.0	Additional weight BD40W	1	PC		
12	5.035-673.0	Sliding shoe	1	PC		
13	5.035-674.0	Mounting plate brush-head D43 / D51	1	PC		
14	6.388-628.0	Elbow connector 1/2"	1	PC		
15	5.035-499.0	Deflector roll	1	PC		
16	5.035-498.0	Fixing deflector roll	1	PC		
18	5.035-414.0	Cover disk D43	1	PC	D43	
19	5.035-416.0	Splash-proof profile D43	1	PC	D43	
20	6.303-315.0	Screw 8 x 35	11	PC		
21	4.035-435.0	Lever complete BD 40	1	PC		
22	7.303-328.0	Screw M5x8 -St-flZn/nc480h/C (In6Rd)	4	PC		
23	6.373-689.0	Pipe clamp	2	PC		
24	6.388-559.0	Hose clip	1	PC		
25	5.481-370.0	Pedal lever notch	1	PC		
26	7.303-226.0	Countersunk screw M8x20-St-A3E DIN7500(I	4	PC		VERSION 1
27	7.343-036.0	Locking ring 14x1-FST-RF DIN 471	2	PC		
28	5.035-683.0	Bolt contact pressure adjustment	1	PC		
29	5.035-711.0	Bearing bush	2	PC		
30	4.035-438.0	Base plate transmission complete	1	PC		
31	6.330-093.0	Extension spring	1	PC		
32	7.306-090.0	Screw M6x16 -8.8-P2R (In6Rd)	4	PC		
33	7.343-167.0	Locking ring 35x1,5-FST-BR DIN 472	1	PC		

10 Power brush BD

POS	Article no.	Description	Quantity	Unit	Remark	Foot note text
34	7.401-128.0	Ball bearing 6202-2RS -Wälzl.St DIN 625	1	PC		
35	9.763-063.0	Roller D56	1	PC		
36	7.343-015.0	Locking ring 15x1-FST-RF DIN 471	1	PC		
37	5.044-897.0	Holder belt drive	1	PC		
38	7.343-007.0	Locking ring 20x1,2-FST-RF DIN 471	1	PC		
39	5.625-403.0	Toothed lock washer 125Z	1	PC		
40	6.388-248.0	Hose DN12,7	1	m		TO ORDER AS CUT GOODS
41	2.645-191.0	Hose coupling entry Universal	1	PC		
42	6.348-383.0	Toothed belt HTD-447-3M-15 CXPIII	1	PC		
43	7.318-004.0	Parallel key A 6x6x12-C45K DIN 6885-1	1	PC		
44	5.100-379.0	Shaft belt drive 2	1	PC		
45	5.112-619.0	Bush for belt drive	1	PC		
46	5.112-616.0	Bush	2	PC		
47	7.401-173.0	Ball bearing 6204-2RS-WAELZLAGST DIN 625	4	PC		
48	6.641-463.0	Cable tape	2	PC		
49	7.318-031.0	Parallel key 6x6x28 -C45K DIN 6885-1	2	PC		
50	5.100-378.0	Shaft belt drive 1 BD 530	1	PC		
51	6.348-384.0	Toothed belt HTD-475-5M-40 CXPIII	1	PC		
52	5.625-402.0	Toothed lock washer 63Z	1	PC		
53	7.343-018.0	Locking ring 18x1,2-Rf-St DIN 471	1	PC		
55	4.035-466.0	Motor nur fuer Ersatz	1	PC	Ep 120V	
56	6.612-764.0	Blower wheel	1	PC	Ep 120V + Ep 230V	
57	5.037-537.0	Retainer transmission	1	PC		VERSION 1
58	7.312-268.0	Washer 8 -A2 ISO 7094	1	PC		
59	6.304-176.0	Hexagonal head screw M8x16-A4-70 ISO 401	1	PC		VERSION 1
60	7.303-112.0	Screw 6x20 -10.9-R2R (In6Rd)	6	PC		
61	5.033-002.0	Retainer brush SWS	1	PC		
62	4.905-023.0	Disc brush complete nature D43	1	PC		
62	4.905-024.0	Disc brush complete white D43	1	PC		
62	4.905-025.0	Disc brush complete black D43	1	PC		

10 Power brush BD

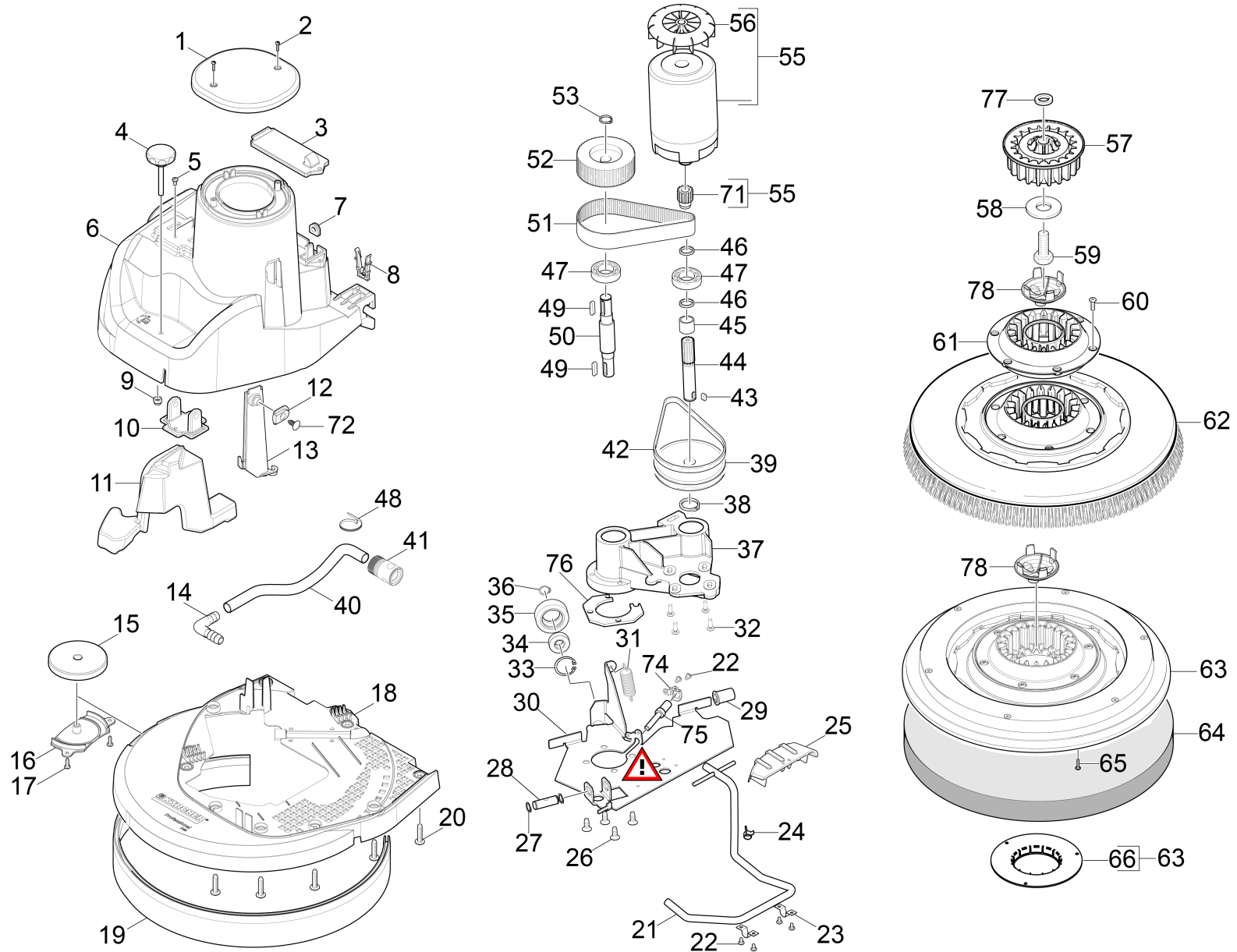
POS	Article no.	Description	Quantity	Unit	Remark	Foot note text
62	4.905-022.0	Disc brush complete red D43	1	PC		
63	4.762-533.0	Pad disk complete D43	1	PC		
63	4.762-592.0	Pad disk complete STRONG D43	1	PC		ATTENTION! FITS ONLY TO PAD "MELAMIN"
64	6.371-023.0	Pad set 2x D 430 Melamin	1	PC		FITS ONLY TO DISK PAD "STRONG"
64	6.371-149.0	Polishing pad beige 432 mm	1	PC		
64	6.371-081.0	Polishing pad beige	1	PC		
64	6.369-472.0	Pad green	1	ZSA		
64	6.369-473.0	Pad black	1	ZSA		
64	6.369-470.0	Pad red	1	ZSA		
64	6.369-469.0	Polishing pad white	1	ZSA		
65	7.303-096.0	Screw 4x22-ST-10.9-R2R (IN6RD)	3	PC		
66	5.122-015.0	Centerlock	1	PC		
71	5.625-400.0	Toothed lock washer 28Z	1	PC	Ep 120V + Ep 230V	
72	6.343-261.0	Quick-fastener	1	PC		

21 Lever complete BD 40 (4.035-435.0)

POS	Article no.	Description	Quantity	Unit
2	5.105-638.0	Axle	1	PC

62 Disc brush complete red D43 (4.905-022.0)

POS	Article no.	Description	Quantity	Unit
2	5.033-002.0	Retainer brush SWS	1	PC



11 Power brush BD

POS	Article no.	Description	Quantity	Unit	Remark	Foot note text
1	5.035-500.0	Motor cover BD	1	PC		
2	7.303-107.0	Screw 5x16 -10.9-P2R (K-In6Rd)	2	PC		
3	5.035-386.0	Cover electric box	1	PC		
4	6.321-249.0	Star grip	1	PC		
5	7.303-038.0	Screw M5x12 -St-P2R (In6Rd)	2	PC		
6	5.035-411.0	Cover BD	1	PC		
7	6.648-064.0	Cable bushing	1	PC		
8	5.035-424.0	Snap-fit	2	PC		
9	7.311-514.0	Hexagon nut M 8-A2-70 ISO 7040	1	PC		
10	5.035-604.0	Suspension seal brush-head BD	1	PC		
11	5.035-693.0	Additional weight BD40W	1	PC		
12	5.035-673.0	Sliding shoe	1	PC		
13	5.035-674.0	Mounting plate brush-head D43 / D51	1	PC		
14	6.388-628.0	Elbow connector 1/2"	1	PC		
15	5.035-499.0	Deflector roll	1	PC		
16	5.035-498.0	Fixing deflector roll	1	PC		
17	7.303-107.0	Screw 5x16 -10.9-P2R (K-In6Rd)	2	PC		
18	5.035-414.0	Cover disk D43	1	PC	D43	
19	5.035-416.0	Splash-proof profile D43	1	PC	D43	
20	6.303-315.0	Screw 8 x 35	11	PC		
21	4.035-435.0	Lever complete BD 40	1	PC		
22	7.303-328.0	Screw M5x8 -St-flZn/nc480h/C (In6Rd)	6	PC		
23	6.373-689.0	Pipe clamp	2	PC		
24	6.388-559.0	Hose clip	1	PC		
25	5.481-370.0	Pedal lever notch	1	PC		
26	7.303-328.0	Screw M5x8 -St-flZn/nc480h/C (In6Rd)	4	PC		VERSION 2
27	7.343-036.0	Locking ring 14x1-FST-RF DIN 471	2	PC		
28	5.035-683.0	Bolt contact pressure adjustment	1	PC		
29	5.035-711.0	Bearing bush	2	PC		
30	4.035-438.0	Base plate transmission complete	1	PC		
31	6.330-093.0	Extension spring	1	PC		
32	7.306-090.0	Screw M6x16 -8.8-P2R (In6Rd)	4	PC		
33	7.343-167.0	Locking ring 35x1,5-FST-BR DIN 472	1	PC		

11 Power brush BD

POS	Article no.	Description	Quantity	Unit	Remark	Foot note text
34	7.401-128.0	Ball bearing 6202-2RS -Wälzl.St DIN 625	1	PC		
35	9.763-063.0	Roller D56	1	PC		
35	9.763-063.0	Roller D56	1	PC		
36	7.343-015.0	Locking ring 15x1-FST-RF DIN 471	1	PC		
37	5.044-897.0	Holder belt drive	1	PC		
38	7.343-007.0	Locking ring 20x1,2-FST-RF DIN 471	1	PC		
39	5.625-403.0	Toothed lock washer 125Z	1	PC		
40	6.388-248.0	Hose DN12,7	1	m		TO ORDER AS CUT GOODS
41	2.645-191.0	Hose coupling entry Universal	1	PC		
42	6.348-383.0	Toothed belt HTD-447-3M-15 CXPIII	1	PC		
43	7.318-004.0	Parallel key A 6x6x12-C45K DIN 6885-1	1	PC		
44	5.100-379.0	Shaft belt drive 2	1	PC		
45	5.112-619.0	Bush for belt drive	1	PC		
46	5.112-616.0	Bush	2	PC		
47	7.401-173.0	Ball bearing 6204-2RS-WAELZLAGST DIN 625	4	PC		
48	6.641-463.0	Cable tape	2	PC		
49	7.318-031.0	Parallel key 6x6x28 -C45K DIN 6885-1	2	PC		
50	5.100-378.0	Shaft belt drive 1 BD 530	1	PC		
51	6.348-384.0	Toothed belt HTD-475-5M-40 CXPIII	1	PC		
52	5.625-402.0	Toothed lock washer 63Z	1	PC		
53	7.343-018.0	Locking ring 18x1,2-Rf-St DIN 471	1	PC		
55	4.035-466.0	Motor nur fuer Ersatz	1	PC	Ep 120V	
56	6.612-764.0	Blower wheel	1	PC	Ep 120V + Ep 230V	
57	5.037-537.0	Retainer transmission	1	PC		VERSION 2
58	7.312-268.0	Washer 8 -A2 ISO 7094	1	PC		
59	7.304-516.0	Hexagonal head screw M8x20-A4-70 ISO 40	1	PC		VERSION 2
60	7.303-112.0	Screw 6x20 -10.9-R2R (In6Rd)	6	PC		
61	5.033-002.0	Retainer brush SWS	1	PC		
62	4.905-025.0	Disc brush complete black D43	1	PC		
62	4.905-023.0	Disc brush complete nature D43	1	PC		

11 Power brush BD

POS	Article no.	Description	Quantity	Unit	Remark	Foot note text
62	4.905-024.0	Disc brush complete white D43	1	PC		
62	4.905-022.0	Disc brush complete red D43	1	PC		
63	4.762-533.0	Pad disk complete D43	1	PC		
63	4.762-592.0	Pad disk complete STRONG D43	1	PC		ATTENTION! FITS ONLY TO PAD "MELAMIN"
64	6.371-023.0	Pad set 2x D 430 Melamin	1	PC		FITS ONLY TO DISK PAD "STRONG"
64	6.371-081.0	Polishing pad beige	1	PC		
64	6.371-149.0	Polishing pad beige 432 mm	1	PC		
64	6.369-473.0	Pad black	1	ZSA		
64	6.369-472.0	Pad green	1	ZSA		
64	6.369-470.0	Pad red	1	ZSA		
64	6.369-469.0	Polishing pad white	1	ZSA		
65	7.303-096.0	Screw 4x22-ST-10.9-R2R (IN6RD)	3	PC		
66	5.122-015.0	Centerlock	1	PC		
71	5.625-400.0	Toothed lock washer 28Z	1	PC	Ep 120V + Ep 230V	
72	6.343-261.0	Quick-fastener	1	PC		
74	5.047-072.0	Strap fixing	1	PC		VERSION 2
75	5.116-081.0	Reducer	1	PC		VERSION 2
76	5.047-065.0	Packing plate	1	PC		VERSION 2
77	5.112-018.0	Washer 18,2x30x5	1	PC		VERSION 2
78	5.037-490.0	Guide water D-Kopf	1	PC		

21 Lever complete BD 40 (4.035-435.0)

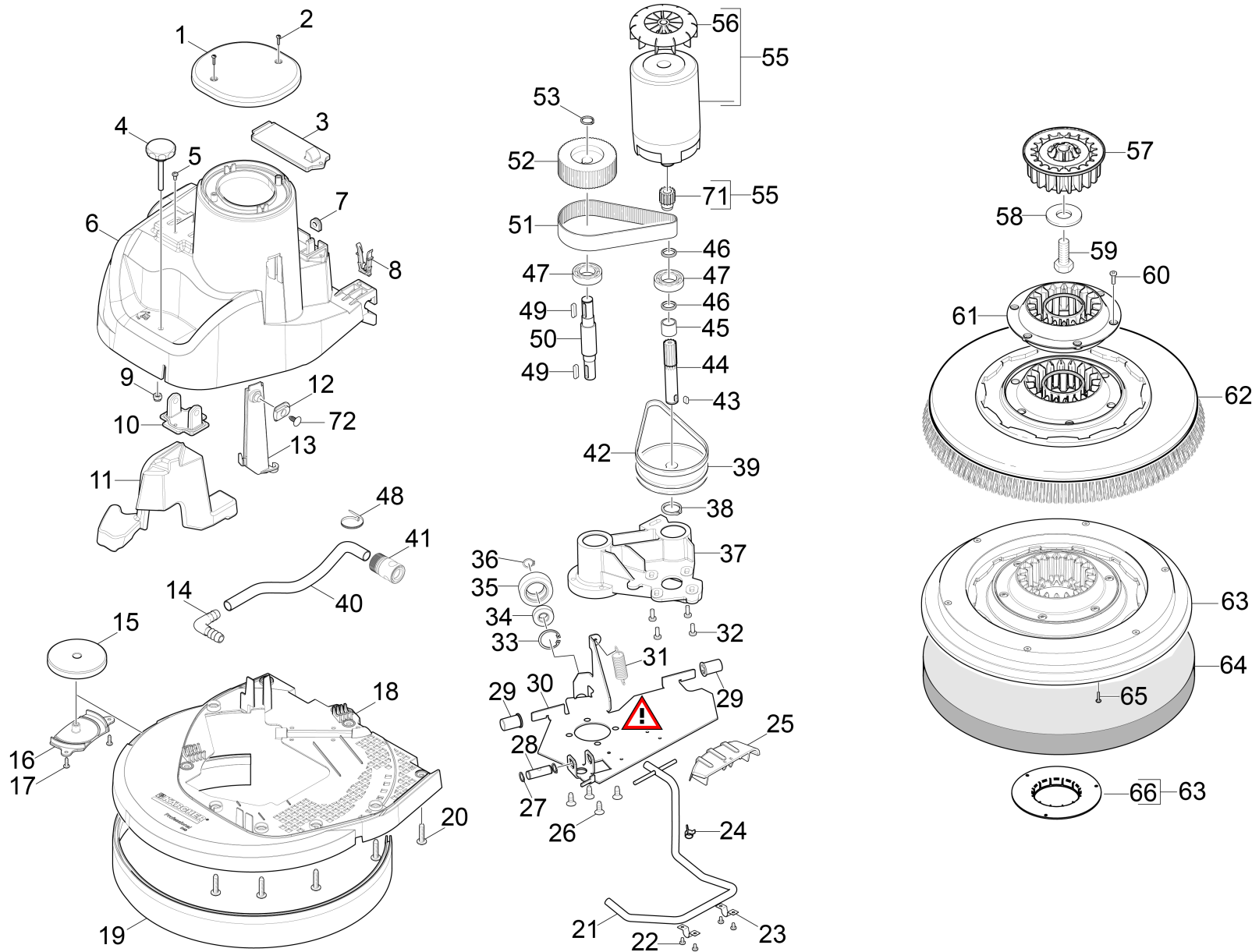
POS	Article no.	Description	Quantity	Unit
2	5.105-638.0	Axle	1	PC

62 Disc brush complete red D43 (4.905-022.0)

POS	Article no.	Description	Quantity	Unit
2	5.033-002.0	Retainer brush SWS	1	PC

1120 Brush-head D 43 Ep 120V

POS	Description	Quantity	Unit	Foot note text
10	Power brush BD	1	PC	VERSION 1
11	Power brush BD	1	PC	VERSION 2



10 Power brush BD

POS	Article no.	Description	Quantity	Unit	Remark	Foot note text
1	5.035-500.0	Motor cover BD	1	PC		
2	7.303-107.0	Screw 5x16 -10.9-P2R (K-In6Rd)	2	PC		
3	5.035-386.0	Cover electric box	1	PC		
4	6.321-249.0	Star grip	1	PC		
5	7.303-038.0	Screw M5x12 -St-P2R (In6Rd)	2	PC		
6	5.035-411.0	Cover BD	1	PC		
7	6.648-064.0	Cable bushing	1	PC		
8	5.035-424.0	Snap-fit	2	PC		
9	7.311-514.0	Hexagon nut M 8-A2-70 ISO 7040	1	PC		
10	5.035-604.0	Suspension seal brush-head BD	1	PC		
11	5.035-693.0	Additional weight BD40W	1	PC		
12	5.035-673.0	Sliding shoe	1	PC		
13	5.035-674.0	Mounting plate brush-head D43 / D51	1	PC		
14	6.388-628.0	Elbow connector 1/2"	1	PC		
15	5.035-499.0	Deflector roll	1	PC		
16	5.035-498.0	Fixing deflector roll	1	PC		
18	5.035-414.0	Cover disk D43	1	PC	D43	
19	5.035-416.0	Splash-proof profile D43	1	PC	D43	
20	6.303-315.0	Screw 8 x 35	11	PC		
21	4.035-435.0	Lever complete BD 40	1	PC		
22	7.303-328.0	Screw M5x8 -St-flZn/nc480h/C (In6Rd)	4	PC		
23	6.373-689.0	Pipe clamp	2	PC		
24	6.388-559.0	Hose clip	1	PC		
25	5.481-370.0	Pedal lever notch	1	PC		
26	7.303-226.0	Countersunk screw M8x20-St-A3E DIN7500(I	4	PC		VERSION 1
27	7.343-036.0	Locking ring 14x1-FST-RF DIN 471	2	PC		
28	5.035-683.0	Bolt contact pressure adjustment	1	PC		
29	5.035-711.0	Bearing bush	2	PC		
30	4.035-438.0	Base plate transmission complete	1	PC		
31	6.330-093.0	Extension spring	1	PC		
32	7.306-090.0	Screw M6x16 -8.8-P2R (In6Rd)	4	PC		
33	7.343-167.0	Locking ring 35x1,5-FST-BR DIN 472	1	PC		

10 Power brush BD

POS	Article no.	Description	Quantity	Unit	Remark	Foot note text
34	7.401-128.0	Ball bearing 6202-2RS -Wälzl.St DIN 625	1	PC		
35	9.763-063.0	Roller D56	1	PC		
36	7.343-015.0	Locking ring 15x1-FST-RF DIN 471	1	PC		
37	5.044-897.0	Holder belt drive	1	PC		
38	7.343-007.0	Locking ring 20x1,2-FST-RF DIN 471	1	PC		
39	5.625-403.0	Toothed lock washer 125Z	1	PC		
40	6.388-248.0	Hose DN12,7	1	m		TO ORDER AS CUT GOODS
41	2.645-191.0	Hose coupling entry Universal	1	PC		
42	6.348-383.0	Toothed belt HTD-447-3M-15 CXPIII	1	PC		
43	7.318-004.0	Parallel key A 6x6x12-C45K DIN 6885-1	1	PC		
44	5.100-379.0	Shaft belt drive 2	1	PC		
45	5.112-619.0	Bush for belt drive	1	PC		
46	5.112-616.0	Bush	2	PC		
47	7.401-173.0	Ball bearing 6204-2RS-WAELZLAGST DIN 625	4	PC		
48	6.641-463.0	Cable tape	2	PC		
49	7.318-031.0	Parallel key 6x6x28 -C45K DIN 6885-1	2	PC		
50	5.100-378.0	Shaft belt drive 1 BD 530	1	PC		
51	6.348-384.0	Toothed belt HTD-475-5M-40 CXPIII	1	PC		
52	5.625-402.0	Toothed lock washer 63Z	1	PC		
53	7.343-018.0	Locking ring 18x1,2-Rf-St DIN 471	1	PC		
55	4.035-467.0	Motor nur fuer Ersatz	1	PC	Ep 120V	
56	6.612-764.0	Blower wheel	1	PC	Ep 120V + Ep 230V	
57	5.037-537.0	Retainer transmission	1	PC		VERSION 1
58	7.312-268.0	Washer 8 -A2 ISO 7094	1	PC		
59	6.304-176.0	Hexagonal head screw M8x16-A4-70 ISO 401	1	PC		VERSION 1
60	7.303-112.0	Screw 6x20 -10.9-R2R (In6Rd)	6	PC		
61	5.033-002.0	Retainer brush SWS	1	PC		
62	4.905-023.0	Disc brush complete nature D43	1	PC		
62	4.905-024.0	Disc brush complete white D43	1	PC		
62	4.905-025.0	Disc brush complete black D43	1	PC		

10 Power brush BD

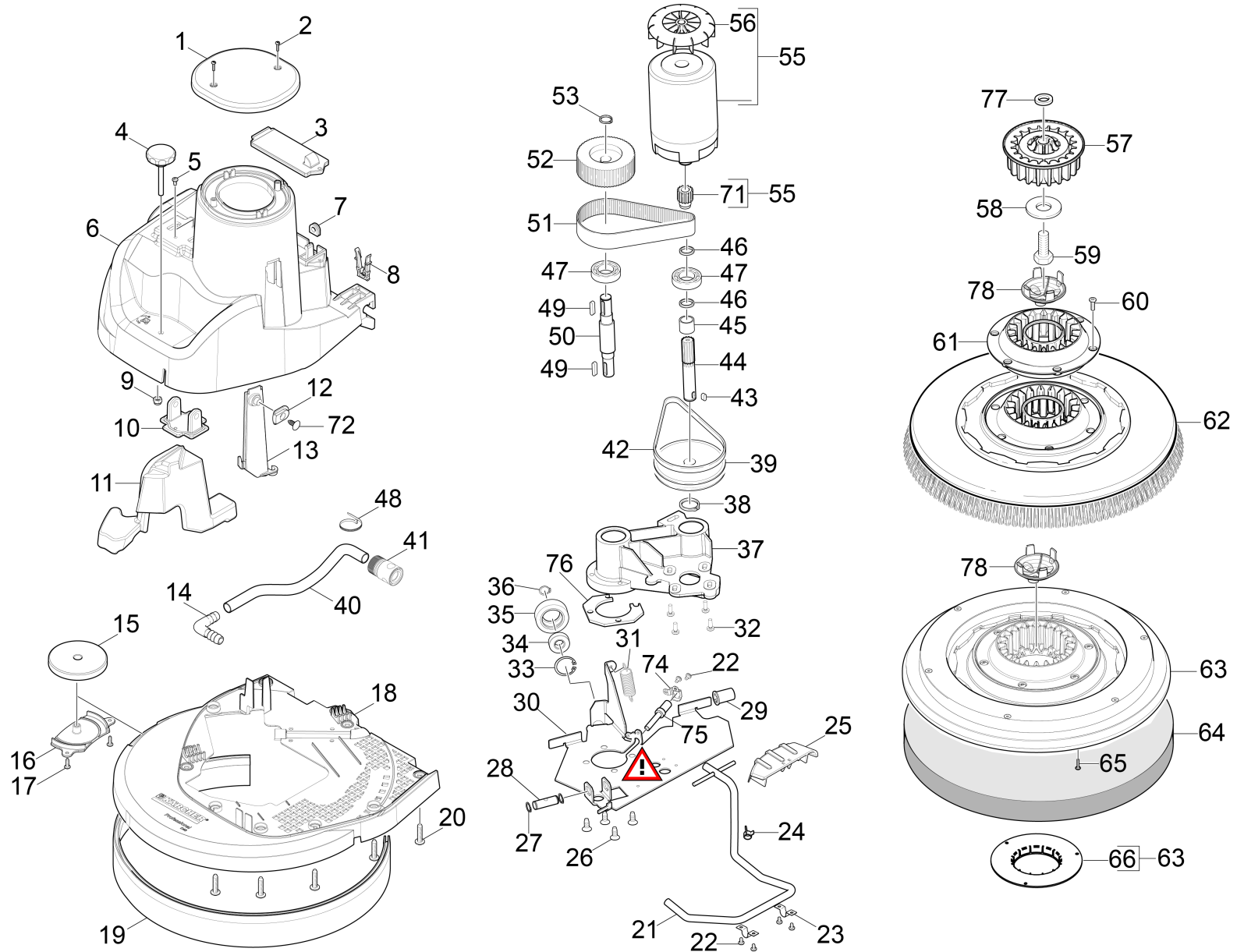
POS	Article no.	Description	Quantity	Unit	Remark	Foot note text
62	4.905-022.0	Disc brush complete red D43	1	PC		
63	4.762-533.0	Pad disk complete D43	1	PC	D43	
63	4.762-592.0	Pad disk complete STRONG D43	1	PC	D43	ATTENTION! FITS ONLY TO PAD "MELAMIN"
64	6.371-023.0	Pad set 2x D 430 Melamin	1	PC		FITS ONLY TO DISK PAD "STRONG"
64	6.371-149.0	Polishing pad beige 432 mm	1	PC		
64	6.371-081.0	Polishing pad beige	1	PC		
64	6.369-472.0	Pad green	1	ZSA		
64	6.369-473.0	Pad black	1	ZSA		
64	6.369-470.0	Pad red	1	ZSA		
64	6.369-469.0	Polishing pad white	1	ZSA		
65	7.303-096.0	Screw 4x22-ST-10.9-R2R (IN6RD)	3	PC		
66	5.122-015.0	Centerlock	1	PC		
71	5.625-400.0	Toothed lock washer 28Z	1	PC	Ep 120V + Ep 230V	
72	6.343-261.0	Quick-fastener	1	PC		

21 Lever complete BD 40 (4.035-435.0)

POS	Article no.	Description	Quantity	Unit
2	5.105-638.0	Axle	1	PC

62 Disc brush complete red D43 (4.905-022.0)

POS	Article no.	Description	Quantity	Unit
2	5.033-002.0	Retainer brush SWS	1	PC



11 Power brush BD

POS	Article no.	Description	Quantity	Unit	Remark	Foot note text
1	5.035-500.0	Motor cover BD	1	PC		
2	7.303-107.0	Screw 5x16 -10.9-P2R (K-In6Rd)	2	PC		
3	5.035-386.0	Cover electric box	1	PC		
4	6.321-249.0	Star grip	1	PC		
5	7.303-038.0	Screw M5x12 -St-P2R (In6Rd)	2	PC		
6	5.035-411.0	Cover BD	1	PC		
7	6.648-064.0	Cable bushing	1	PC		
8	5.035-424.0	Snap-fit	2	PC		
9	7.311-514.0	Hexagon nut M 8-A2-70 ISO 7040	1	PC		
10	5.035-604.0	Suspension seal brush-head BD	1	PC		
11	5.035-693.0	Additional weight BD40W	1	PC		
12	5.035-673.0	Sliding shoe	1	PC		
13	5.035-674.0	Mounting plate brush-head D43 / D51	1	PC		
14	6.388-628.0	Elbow connector 1/2"	1	PC		
15	5.035-499.0	Deflector roll	1	PC		
16	5.035-498.0	Fixing deflector roll	1	PC		
17	7.303-107.0	Screw 5x16 -10.9-P2R (K-In6Rd)	2	PC		
18	5.035-414.0	Cover disk D43	1	PC	D43	
19	5.035-416.0	Splash-proof profile D43	1	PC	D43	
20	6.303-315.0	Screw 8 x 35	11	PC		
21	4.035-435.0	Lever complete BD 40	1	PC		
22	7.303-328.0	Screw M5x8 -St-flZn/nc480h/C (In6Rd)	6	PC		
23	6.373-689.0	Pipe clamp	2	PC		
24	6.388-559.0	Hose clip	1	PC		
25	5.481-370.0	Pedal lever notch	1	PC		
26	7.303-328.0	Screw M5x8 -St-flZn/nc480h/C (In6Rd)	4	PC		VERSION 2
27	7.343-036.0	Locking ring 14x1-FST-RF DIN 471	2	PC		
28	5.035-683.0	Bolt contact pressure adjustment	1	PC		
29	5.035-711.0	Bearing bush	2	PC		
30	4.035-438.0	Base plate transmission complete	1	PC		
31	6.330-093.0	Extension spring	1	PC		
32	7.306-090.0	Screw M6x16 -8.8-P2R (In6Rd)	4	PC		
33	7.343-167.0	Locking ring 35x1,5-FST-BR DIN 472	1	PC		

11 Power brush BD

POS	Article no.	Description	Quantity	Unit	Remark	Foot note text
34	7.401-128.0	Ball bearing 6202-2RS -Wälzl.St DIN 625	1	PC		
35	9.763-063.0	Roller D56	1	PC		
35	9.763-063.0	Roller D56	1	PC		
36	7.343-015.0	Locking ring 15x1-FST-RF DIN 471	1	PC		
37	5.044-897.0	Holder belt drive	1	PC		
38	7.343-007.0	Locking ring 20x1,2-FST-RF DIN 471	1	PC		
39	5.625-403.0	Toothed lock washer 125Z	1	PC		
40	6.388-248.0	Hose DN12,7	1	m		TO ORDER AS CUT GOODS
41	2.645-191.0	Hose coupling entry Universal	1	PC		
42	6.348-383.0	Toothed belt HTD-447-3M-15 CXPIII	1	PC		
43	7.318-004.0	Parallel key A 6x6x12-C45K DIN 6885-1	1	PC		
44	5.100-379.0	Shaft belt drive 2	1	PC		
45	5.112-619.0	Bush for belt drive	1	PC		
46	5.112-616.0	Bush	2	PC		
47	7.401-173.0	Ball bearing 6204-2RS-WAELZLAGST DIN 625	4	PC		
48	6.641-463.0	Cable tape	2	PC		
49	7.318-031.0	Parallel key 6x6x28 -C45K DIN 6885-1	2	PC		
50	5.100-378.0	Shaft belt drive 1 BD 530	1	PC		
51	6.348-384.0	Toothed belt HTD-475-5M-40 CXPIII	1	PC		
52	5.625-402.0	Toothed lock washer 63Z	1	PC		
53	7.343-018.0	Locking ring 18x1,2-Rf-St DIN 471	1	PC		
55	4.035-467.0	Motor nur fuer Ersatz	1	PC	Ep 120V	
56	6.612-764.0	Blower wheel	1	PC	Ep 120V + Ep 230V	
57	5.037-537.0	Retainer transmission	1	PC		VERSION 2
58	7.312-268.0	Washer 8 -A2 ISO 7094	1	PC		
59	7.304-516.0	Hexagonal head screw M8x20-A4-70 ISO 40	1	PC		VERSION 2
60	7.303-112.0	Screw 6x20 -10.9-R2R (In6Rd)	6	PC		
61	5.033-002.0	Retainer brush SWS	1	PC		
62	4.905-025.0	Disc brush complete black D43	1	PC		
62	4.905-023.0	Disc brush complete nature D43	1	PC		

11 Power brush BD

POS	Article no.	Description	Quantity	Unit	Remark	Foot note text
62	4.905-024.0	Disc brush complete white D43	1	PC		
62	4.905-022.0	Disc brush complete red D43	1	PC		
63	4.762-533.0	Pad disk complete D43	1	PC	D43	
63	4.762-592.0	Pad disk complete STRONG D43	1	PC		ATTENTION! FITS ONLY TO PAD "MELAMIN"
64	6.371-023.0	Pad set 2x D 430 Melamin	1	PC		FITS ONLY TO DISK PAD "STRONG"
64	6.371-081.0	Polishing pad beige	1	PC		
64	6.371-149.0	Polishing pad beige 432 mm	1	PC		
64	6.369-473.0	Pad black	1	ZSA		
64	6.369-472.0	Pad green	1	ZSA		
64	6.369-470.0	Pad red	1	ZSA		
64	6.369-469.0	Polishing pad white	1	ZSA		
65	7.303-096.0	Screw 4x22-ST-10.9-R2R (IN6RD)	3	PC		
66	5.122-015.0	Centerlock	1	PC		
71	5.625-400.0	Toothed lock washer 28Z	1	PC	Ep 120V + Ep 230V	
72	6.343-261.0	Quick-fastener	1	PC		
74	5.047-072.0	Strap fixing	1	PC		VERSION 2
75	5.116-081.0	Reducer	1	PC		VERSION 2
76	5.047-065.0	Packing plate	1	PC		VERSION 2
77	5.112-018.0	Washer 18,2x30x5	1	PC		VERSION 2
78	5.037-490.0	Guide water D-Kopf	1	PC		

21 Lever complete BD 40 (4.035-435.0)

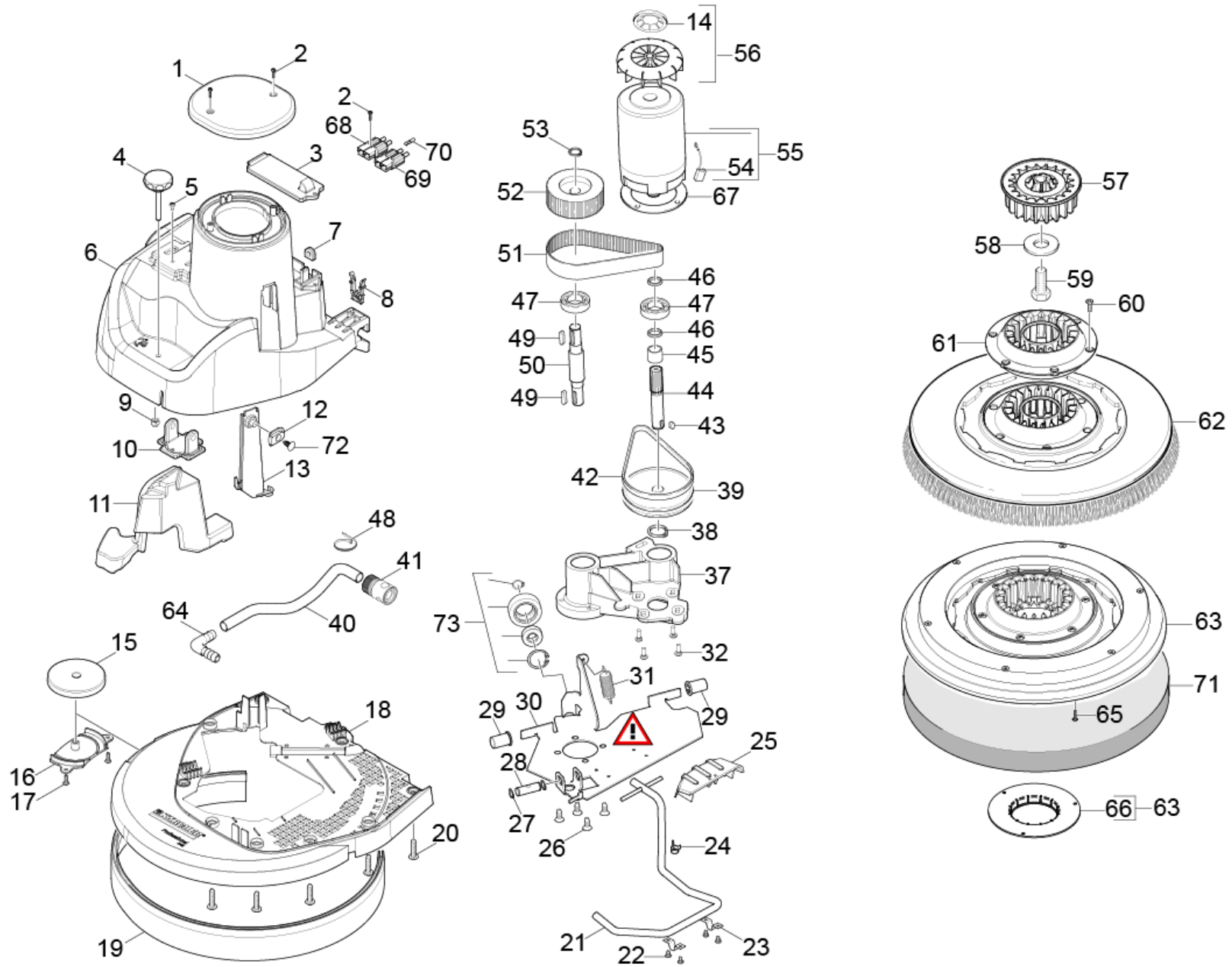
POS	Article no.	Description	Quantity	Unit
2	5.105-638.0	Axle	1	PC

62 Disc brush complete red D43 (4.905-022.0)

POS	Article no.	Description	Quantity	Unit
2	5.033-002.0	Retainer brush SWS	1	PC

1130 Brush-head D 51 Bp (2.763-026.7)

POS	Article no.	Description	Quantity	Unit	Foot note text
10		Power brush BD	1	PC	VERSION 1
11		Power brush BD	1	PC	VERSION 2
20		Conversion kit brush-head	1	PC	
30	4.036-075.0	Conversion kit D51/R55C B60 Bp	1	PC	



10 Power brush BD

POS	Article no.	Description	Quantity	Unit	Remark	Foot note text
1	5.035-500.0	Motor cover BD	1	PC		
2	7.303-107.0	Screw 5x16 -10.9-P2R (K-In6Rd)	4	PC		
3	5.035-386.0	Cover electric box	1	PC		
4	6.321-249.0	Star grip	1	PC		
5	7.303-038.0	Screw M5x12 -St-P2R (In6Rd)	2	PC		
6	5.035-411.0	Cover BD	1	PC		
7	6.648-064.0	Cable bushing	1	PC		
8	5.035-424.0	Snap-fit	2	PC		
9	7.311-514.0	Hexagon nut M 8-A2-70 ISO 7040	1	PC		
10	5.035-604.0	Suspension seal brush-head BD	1	PC		
11	5.035-693.0	Additional weight BD40W	1	PC		
12	5.035-673.0	Sliding shoe	1	PC		
13	5.035-674.0	Mounting plate brush-head D43 / D51	1	PC		
14	6.343-149.0	Quick-fastener	1	PC		
15	5.035-499.0	Deflector roll	1	PC		
16	5.035-498.0	Fixing deflector roll	1	PC		
18	5.035-415.0	Cover disk D51	1	PC	D51	
19	5.035-695.3	Splash-proof profile D51	1	PC	D51	
20	6.303-315.0	Screw 8 x 35	11	PC		
21	4.035-435.0	Lever complete BD 40	1	PC		
22	7.303-328.0	Screw M5x8 -St-flZn/nc480h/C (In6Rd)	4	PC		
23	6.373-689.0	Pipe clamp	2	PC		
24	6.388-559.0	Hose clip	1	PC		
25	5.481-370.0	Pedal lever notch	1	PC		
26	7.303-226.0	Countersunk screw M8x20-St-A3E DIN7500(I	4	PC		
27	7.343-036.0	Locking ring 14x1-FST-RF DIN 471	2	PC		
28	5.035-683.0	Bolt contact pressure adjustment	1	PC		
29	5.035-711.0	Bearing bush	2	PC		
30	4.035-438.0	Base plate transmission complete	1	PC		
31	6.330-093.0	Extension spring	1	PC		
32	7.306-090.0	Screw M6x16 -8.8-P2R (In6Rd)	4	PC		
37	5.044-897.0	Holder belt drive	1	PC		

10 Power brush BD

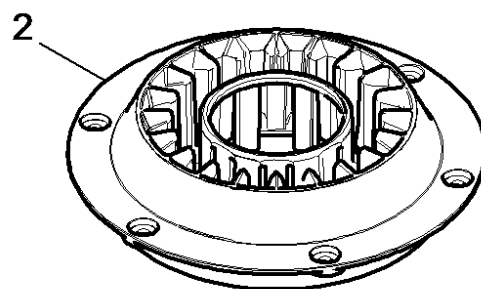
POS	Article no.	Description	Quantity	Unit	Remark	Foot note text
38	7.343-007.0	Locking ring 20x1,2-FST-RF DIN 471	1	PC		
39	5.625-403.0	Toothed lock washer 125Z	1	PC		
40	6.388-248.0	Hose DN12,7	1	m		TO ORDER AS CUT GOODS
41	2.645-191.0	Hose coupling entry Universal	1	PC		
42	6.348-383.0	Toothed belt HTD-447-3M-15 CXPIII	1	PC		
43	7.318-004.0	Parallel key A 6x6x12-C45K DIN 6885-1	1	PC		
44	5.100-379.0	Shaft belt drive 2	1	PC		
45	5.112-619.0	Bush for belt drive	1	PC		
46	5.112-616.0	Bush	2	PC		
47	7.401-173.0	Ball bearing 6204-2RS-WAELZLAGST DIN 625	4	PC		
48	6.641-463.0	Cable tape	2	PC		
49	7.318-031.0	Parallel key 6x6x28 -C45K DIN 6885-1	2	PC		
50	5.100-378.0	Shaft belt drive 1 BD 530	1	PC		
51	6.348-384.0	Toothed belt HTD-475-5M-40 CXPIII	1	PC		
52	5.625-402.0	Toothed lock washer 63Z	1	PC		
53	7.343-018.0	Locking ring 18x1,2-Rf-St DIN 471	1	PC		
54	6.610-239.0	Carbon brush set ATAS	1	PC		
55	4.623-077.0	Direct current motor replacement Hengye	1	PC	BAT	
56	6.613-025.0	Blower wheel	1	PC	BAT	
57	5.037-537.0	Retainer transmission	1	PC		
58	7.312-268.0	Washer 8 -A2 ISO 7094	1	PC		
59	6.304-176.0	Hexagonal head screw M8x16-A4-70 ISO 401	1	PC		
60	7.303-112.0	Screw 6x20 -10.9-R2R (In6Rd)	6	PC		
61	5.033-002.0	Retainer brush SWS	1	PC		
62	4.905-026.0	Disc brush complete red D51	1	PC		
62	4.905-027.0	Disc brush complete nature D51	1	PC		
62	4.905-028.0	Disc brush complete white D51	1	PC		
62	4.905-029.0	Disc brush complete black D51	1	PC		
63	4.762-534.0	Pad disk complete D51	1	PC	D51	
63	4.762-593.0	Pad disk complete STRONG D51	1	PC	D51	ATTENTION! FITS ONLY TO PAD "MELAMIN"

10 Power brush BD

POS	Article no.	Description	Quantity	Unit	Remark	Foot note text
63	9.753-054.0	Pad disk complete D51	1	PC		
64	6.388-628.0	Elbow connector 1/2"	1	PC		
65	7.303-096.0	Screw 4x22-ST-10.9-R2R (IN6RD)	3	PC		
66	5.122-015.0	Centerlock	1	PC		
67	5.114-480.0	Ring motor	1	PC	D51	
68	6.643-047.0	Plug red complete 75A 12mm ²	1	PC	BAT	
69	6.643-048.0	Plug blue complete 75A 12mm ²	1	PC	BAT	
70	6.646-979.0	Switch contact 6 mm ²	1	PC	BAT	
71	6.371-259.0	Diamond pad yellow set 5x Ø457	1	PC		
71	9.380-053.0	PAD GREEN Ø 510mm (H0001779646)	1	PC		
71	6.371-320.0	Polishing pad white D508	1	PC		
71	6.371-261.0	Diamond pad yellow set 5x Ø508	1	PC		
71	6.371-260.0	Diamond pad white set 5x Ø508	1	PC		
71	6.371-025.0	Pad set 2x D 508 Melamin	1	PC		FITS ONLY TO DISK PAD "STRONG"
71	6.371-240.0	Diamond pad green set 5x Ø508	1	PC		
71	6.371-146.0	Polishing pad beige 500 mm	1	PC		
71	6.369-468.0	Polishing pad beige	1	ZSA		
71	6.369-079.0	Pad red	1	ZSA		
71	6.369-078.0	Pad green	1	ZSA		
71	6.369-077.0	Pad black	1	ZSA		
72	6.343-261.0	Quick-fastener	1	PC		
73	9.753-044.0	Brush contact pressure complete B 25	1	PC		

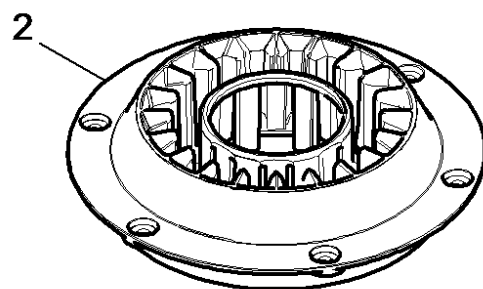
21 Lever complete BD 40 (4.035-435.0)

POS	Article no.	Description	Quantity	Unit
2	5.105-638.0	Axle	1	PC



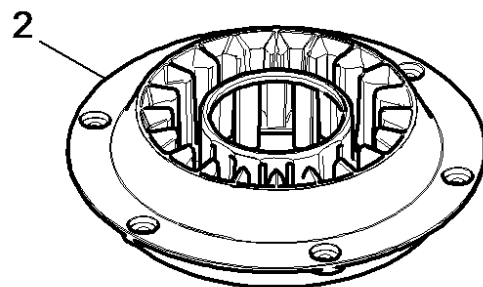
62 Disc brush complete red D51 (4.905-026.0)

POS	Article no.	Description	Quantity	Unit
2	5.033-002.0	Retainer brush SWS	1	PC



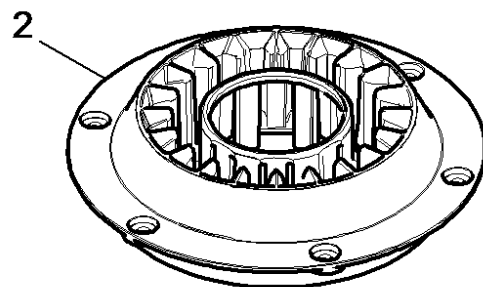
62 Disc brush complete nature D51 (4.905-027.0)

POS	Article no.	Description	Quantity	Unit
2	5.033-002.0	Retainer brush SWS	1	PC



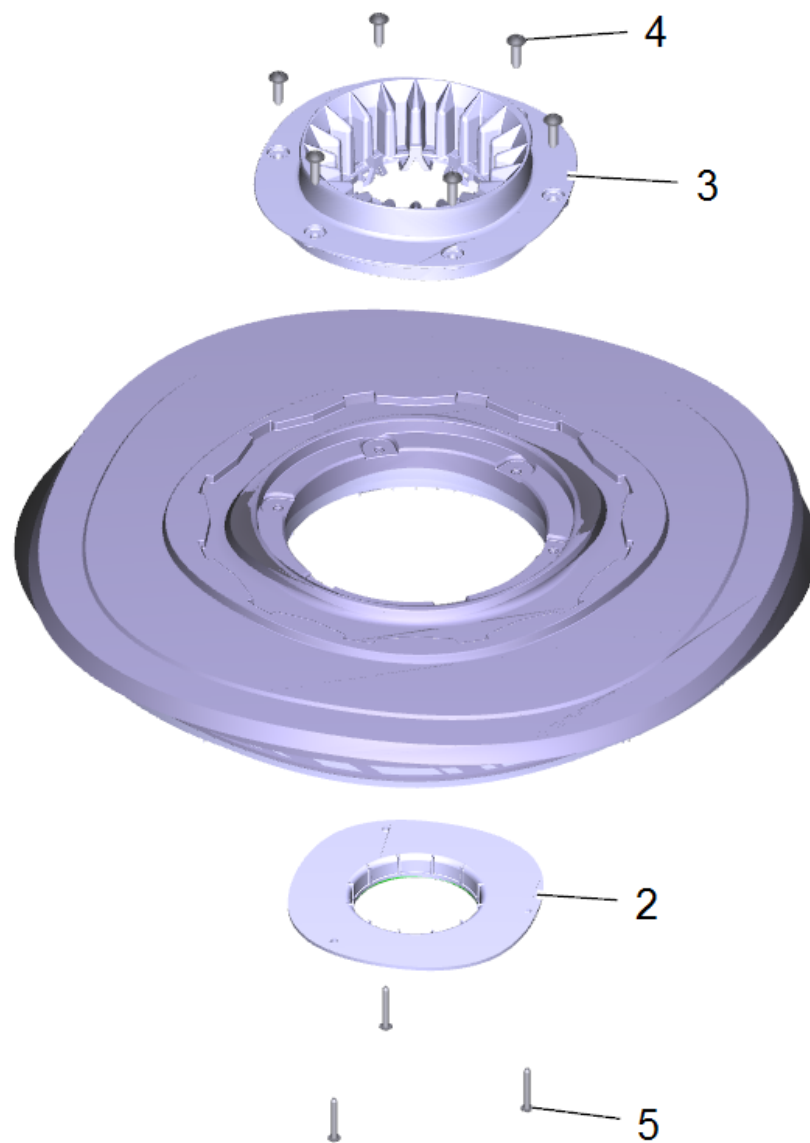
62 Disc brush complete white D51 (4.905-028.0)

POS	Article no.	Description	Quantity	Unit
2	5.033-002.0	Retainer brush SWS	1	PC



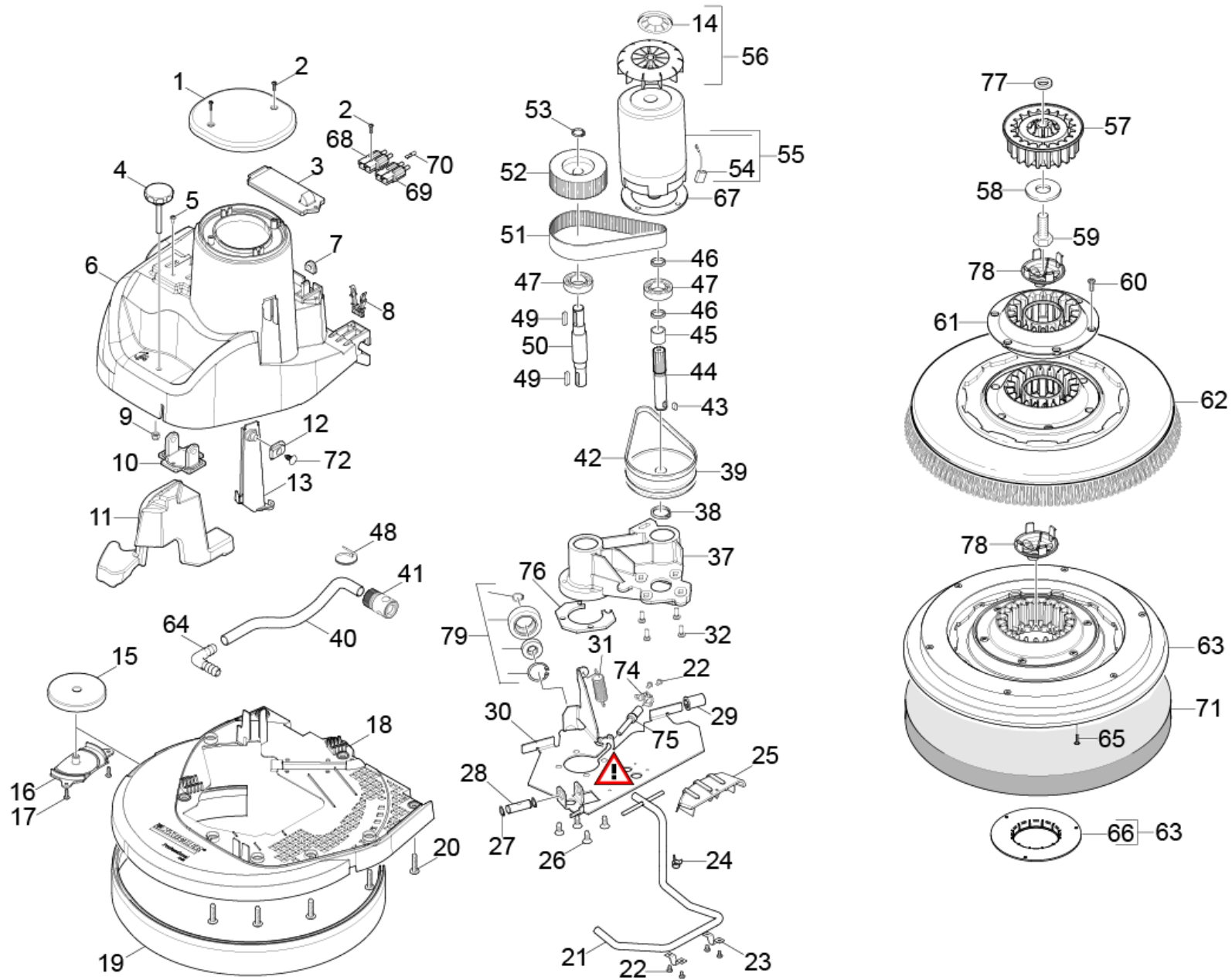
62 Disc brush complete black D51 (4.905-029.0)

POS	Article no.	Description	Quantity	Unit
2	5.033-002.0	Retainer brush SWS	1	PC



63 Pad disk complete D51 (4.762-534.0)

POS	Article no.	Description	Quantity	Unit
2	5.122-015.0	Centerlock	1	PC
3	5.033-002.0	Retainer brush SWS	1	PC
4	7.303-112.0	Screw 6x20 -10.9-R2R (In6Rd)	6	PC
5	7.303-096.0	Screw 4x22-ST-10.9-R2R (IN6RD)	3	PC



11 Power brush BD

POS	Article no.	Description	Quantity	Unit	Remark	Foot note text
1	5.035-500.0	Motor cover BD	1	PC		
2	7.303-107.0	Screw 5x16 -10.9-P2R (K-In6Rd)	4	PC		
3	5.035-386.0	Cover electric box	1	PC		
4	6.321-249.0	Star grip	1	PC		
5	7.303-038.0	Screw M5x12 -St-P2R (In6Rd)	2	PC		
6	5.035-411.0	Cover BD	1	PC		
7	6.648-064.0	Cable bushing	1	PC		
8	5.035-424.0	Snap-fit	2	PC		
9	7.311-514.0	Hexagon nut M 8-A2-70 ISO 7040	1	PC		
10	5.035-604.0	Suspension seal brush-head BD	1	PC		
11	5.035-693.0	Additional weight BD40W	1	PC		
12	5.035-673.0	Sliding shoe	1	PC		
13	5.035-674.0	Mounting plate brush-head D43 / D51	1	PC		
15	5.035-499.0	Deflector roll	1	PC		
16	5.035-498.0	Fixing deflector roll	1	PC		
18	5.035-415.0	Cover disk D51	1	PC	D51	
19	5.035-695.3	Splash-proof profile D51	1	PC	D51	
20	6.303-315.0	Screw 8 x 35	11	PC		
21	4.035-435.0	Lever complete BD 40	1	PC		
22	7.303-328.0	Screw M5x8 -St-flZn/nc480h/C (In6Rd)	6	PC		
23	6.373-689.0	Pipe clamp	2	PC		
24	6.388-559.0	Hose clip	1	PC		
25	5.481-370.0	Pedal lever notch	1	PC		
26	7.303-328.0	Screw M5x8 -St-flZn/nc480h/C (In6Rd)	4	PC		VERSION 2
27	7.343-036.0	Locking ring 14x1-FST-RF DIN 471	2	PC		
28	5.035-683.0	Bolt contact pressure adjustment	1	PC		
29	5.035-711.0	Bearing bush	2	PC		
30	4.035-438.0	Base plate transmission complete	1	PC		
31	6.330-093.0	Extension spring	1	PC		
32	7.306-090.0	Screw M6x16 -8.8-P2R (In6Rd)	4	PC		
37	5.044-897.0	Holder belt drive	1	PC		
38	7.343-007.0	Locking ring 20x1,2-FST-RF DIN 471	1	PC		
39	5.625-403.0	Toothed lock washer 125Z	1	PC		

11 Power brush BD

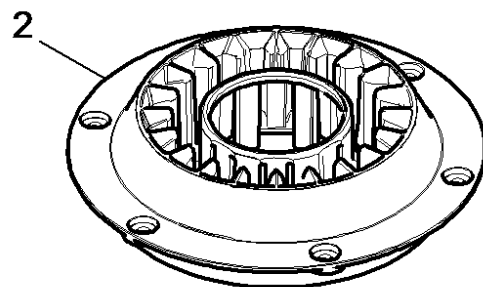
POS	Article no.	Description	Quantity	Unit	Remark	Foot note text
40	6.388-248.0	Hose DN12,7	1	m		TO ORDER AS CUT GOODS
41	2.645-191.0	Hose coupling entry Universal	1	PC		
42	6.348-383.0	Toothed belt HTD-447-3M-15 CXPIII	1	PC		
43	7.318-004.0	Parallel key A 6x6x12-C45K DIN 6885-1	1	PC		
44	5.100-379.0	Shaft belt drive 2	1	PC		
45	5.112-619.0	Bush for belt drive	1	PC		
46	5.112-616.0	Bush	2	PC		
47	7.401-173.0	Ball bearing 6204-2RS-WAELZLAGST DIN 625	4	PC		
48	6.641-463.0	Cable tape	2	PC		
49	7.318-031.0	Parallel key 6x6x28 -C45K DIN 6885-1	2	PC		
50	5.100-378.0	Shaft belt drive 1 BD 530	1	PC		
51	6.348-384.0	Toothed belt HTD-475-5M-40 CXPIII	1	PC		
52	5.625-402.0	Toothed lock washer 63Z	1	PC		
53	7.343-018.0	Locking ring 18x1,2-Rf-St DIN 471	1	PC		
54	6.610-239.0	Carbon brush set ATAS	1	PC		
55	4.623-077.0	Direct current motor replacement Hengye	1	PC	BAT	
56	6.613-025.0	Blower wheel	1	PC	BAT	
57	5.037-537.0	Retainer transmission	1	PC		VERSION 2
58	7.312-268.0	Washer 8 -A2 ISO 7094	1	PC		
59	7.304-516.0	Hexagonal head screw M8x20-A4-70 ISO 40	1	PC		VERSION 2
60	7.303-112.0	Screw 6x20 -10.9-R2R (In6Rd)	6	PC		
61	5.033-002.0	Retainer brush SWS	1	PC		
62	4.905-026.0	Disc brush complete red D51	1	PC		
62	4.905-027.0	Disc brush complete nature D51	1	PC		
62	4.905-028.0	Disc brush complete white D51	1	PC		
62	4.905-029.0	Disc brush complete black D51	1	PC		
63	4.762-534.0	Pad disk complete D51	1	PC	D51	
63	4.762-593.0	Pad disk complete STRONG D51	1	PC	D51	ATTENTION! FITS ONLY TO PAD "MELAMIN"
64	6.388-628.0	Elbow connector 1/2"	1	PC		
65	7.303-096.0	Screw 4x22-ST-10.9-R2R (IN6RD)	3	PC		

11 Power brush BD

POS	Article no.	Description	Quantity	Unit	Remark	Foot note text
66	5.122-015.0	Centerlock	1	PC		
67	5.114-480.0	Ring motor	1	PC	D51	
68	6.643-047.0	Plug red complete 75A 12mm ²	1	PC	BAT	
69	6.643-048.0	Plug blue complete 75A 12mm ²	1	PC	BAT	
70	6.646-979.0	Switch contact 6 mm ²	1	PC	BAT	
71	6.371-146.0	Polishing pad beige 500 mm	1	PC		
71	6.371-320.0	Polishing pad white D508	1	PC		
71	6.371-261.0	Diamond pad yellow set 5x Ø508	1	PC		
71	6.371-240.0	Diamond pad green set 5x Ø508	1	PC		
71	6.371-260.0	Diamond pad white set 5x Ø508	1	PC		
71	6.371-025.0	Pad set 2x D 508 Melamin	1	PC		FITS ONLY TO DISK PAD "STRONG"
71	6.369-468.0	Polishing pad beige	1	ZSA		
71	6.369-079.0	Pad red	1	ZSA		
71	6.369-078.0	Pad green	1	ZSA		
71	6.369-077.0	Pad black	1	ZSA		
72	6.343-261.0	Quick-fastener	1	PC		
74	5.047-072.0	Strap fixing	1	PC		VERSION 2
75	5.116-081.0	Reducer	1	PC		VERSION 2
76	5.047-065.0	Packing plate	1	PC		VERSION 2
77	5.112-018.0	Washer 18,2x30x5	1	PC		VERSION 2
78	5.037-490.0	Guide water D-Kopf	1	PC		ORDER ACCORDING TO CONSUMPTION
79	9.753-044.0	Brush contact pressure complete B 25	1	PC		

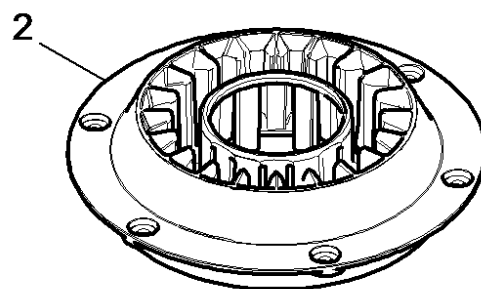
21 Lever complete BD 40 (4.035-435.0)

POS	Article no.	Description	Quantity	Unit
2	5.105-638.0	Axle	1	PC



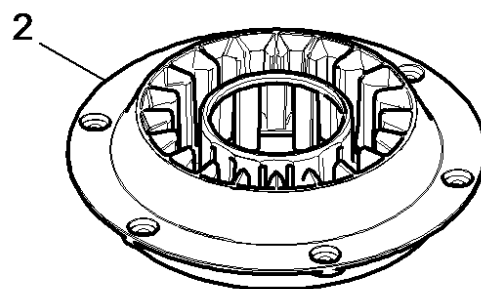
62 Disc brush complete red D51 (4.905-026.0)

POS	Article no.	Description	Quantity	Unit
2	5.033-002.0	Retainer brush SWS	1	PC



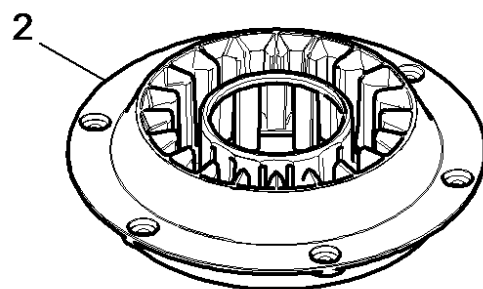
62 Disc brush complete nature D51 (4.905-027.0)

POS	Article no.	Description	Quantity	Unit
2	5.033-002.0	Retainer brush SWS	1	PC



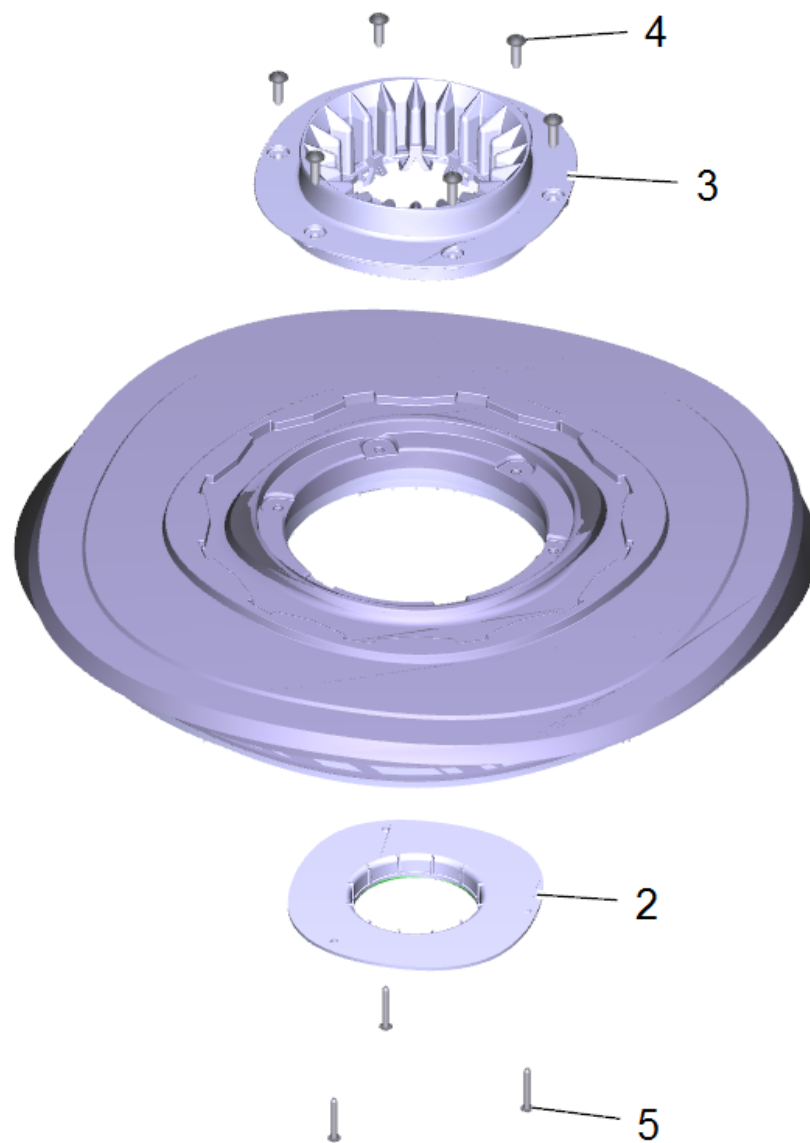
62 Disc brush complete white D51 (4.905-028.0)

POS	Article no.	Description	Quantity	Unit
2	5.033-002.0	Retainer brush SWS	1	PC



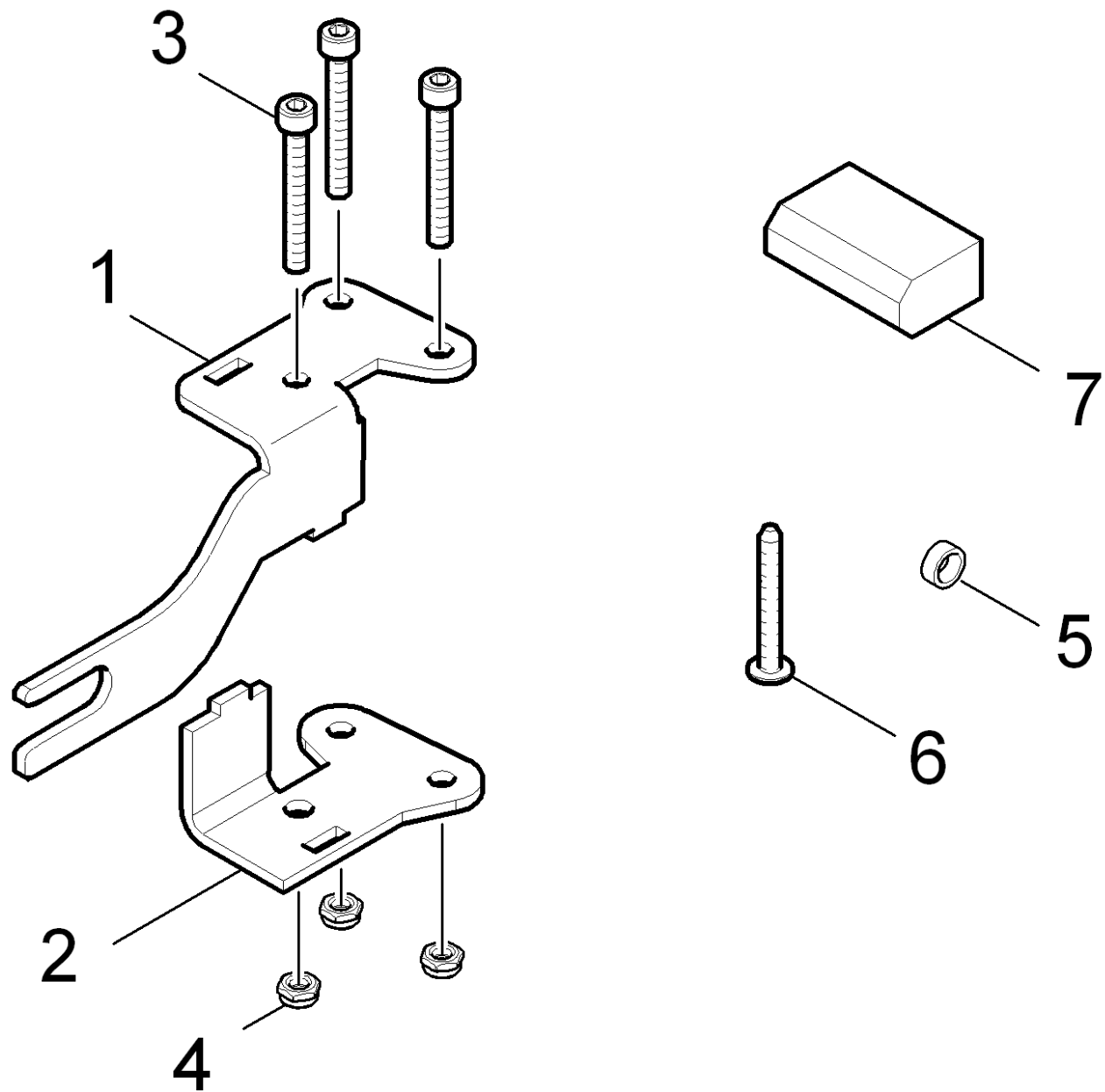
62 Disc brush complete black D51 (4.905-029.0)

POS	Article no.	Description	Quantity	Unit
2	5.033-002.0	Retainer brush SWS	1	PC



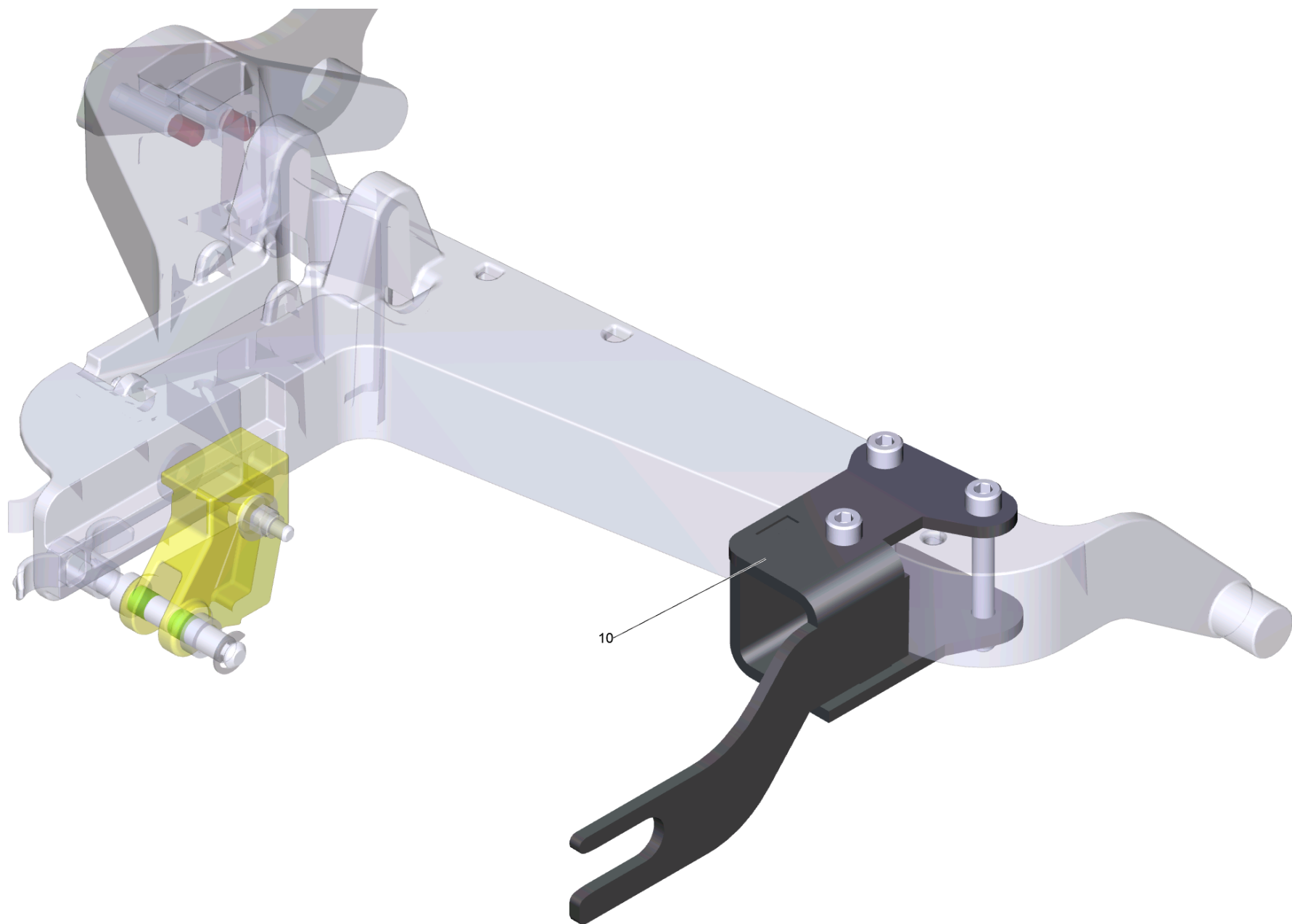
63 Pad disk complete D51 (4.762-534.0)

POS	Article no.	Description	Quantity	Unit
2	5.122-015.0	Centerlock	1	PC
3	5.033-002.0	Retainer brush SWS	1	PC
4	7.303-112.0	Screw 6x20 -10.9-R2R (In6Rd)	6	PC
5	7.303-096.0	Screw 4x22-ST-10.9-R2R (IN6RD)	3	PC



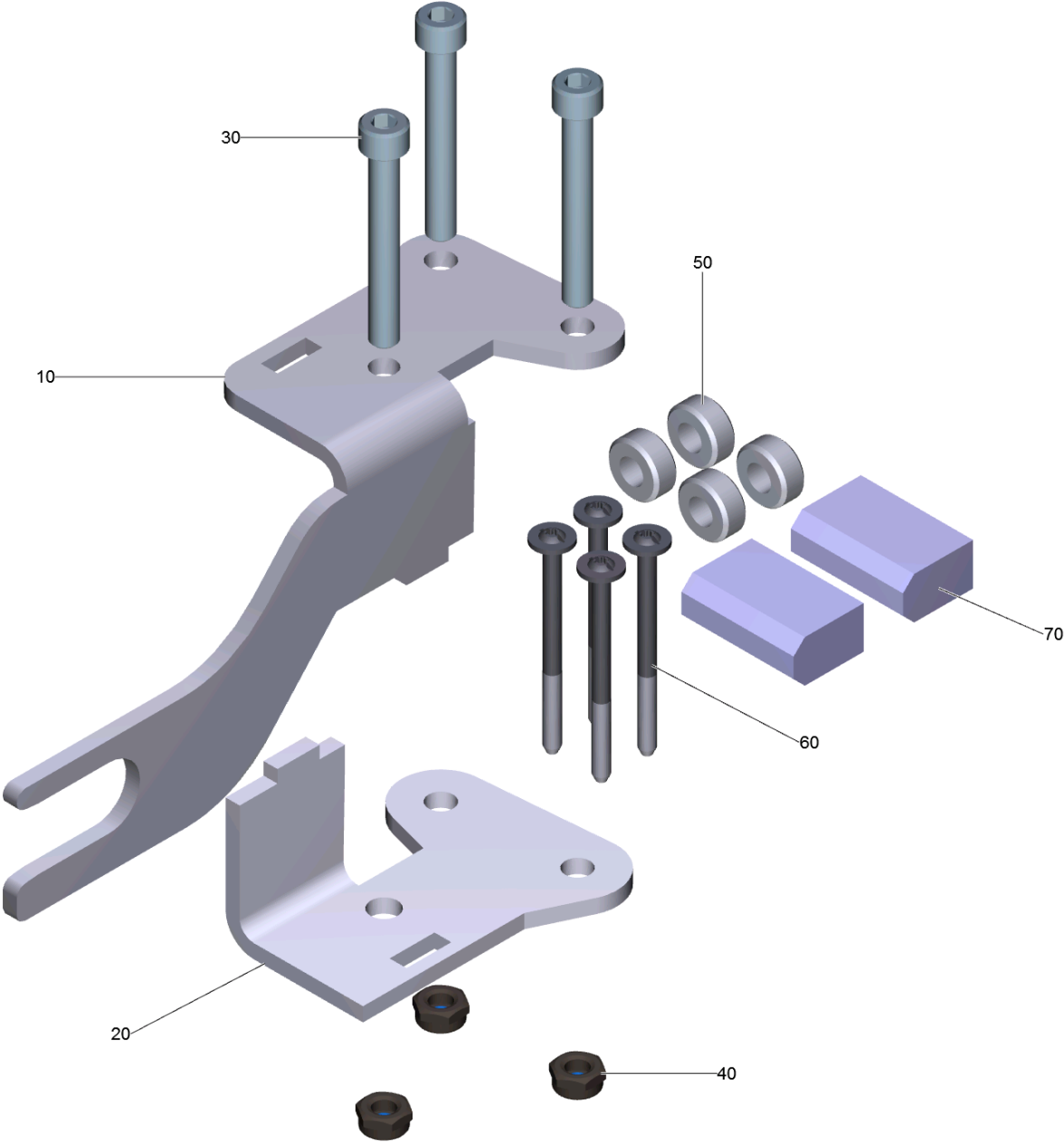
20 Conversion kit brush-head

POS	Article no.	Description	Quantity	Unit
1	5.035-776.0	Sheet metal bracket brush-head EP	1	PC
2	5.035-777.0	Sheet steel angle brush-head EP	1	PC
3	7.306-047.0	Cylinder head screw M8x60 -8.8-A2E ISO4	3	PC
4	7.311-427.0	Hexagon nut M8 -04-A2E DIN 985	3	PC
6	7.303-275.0	Screw 8x50-10.9-A3E (In6Rd)	4	PC
7	5.035-809.0	Pad B60 EP	2	PC



30 Conversion kit D51/R55C B60 Bp (4.036-075.0)

POS	Description	Quantity	Unit
10	Conversion kit D51/R55C B60Bp	1	PC

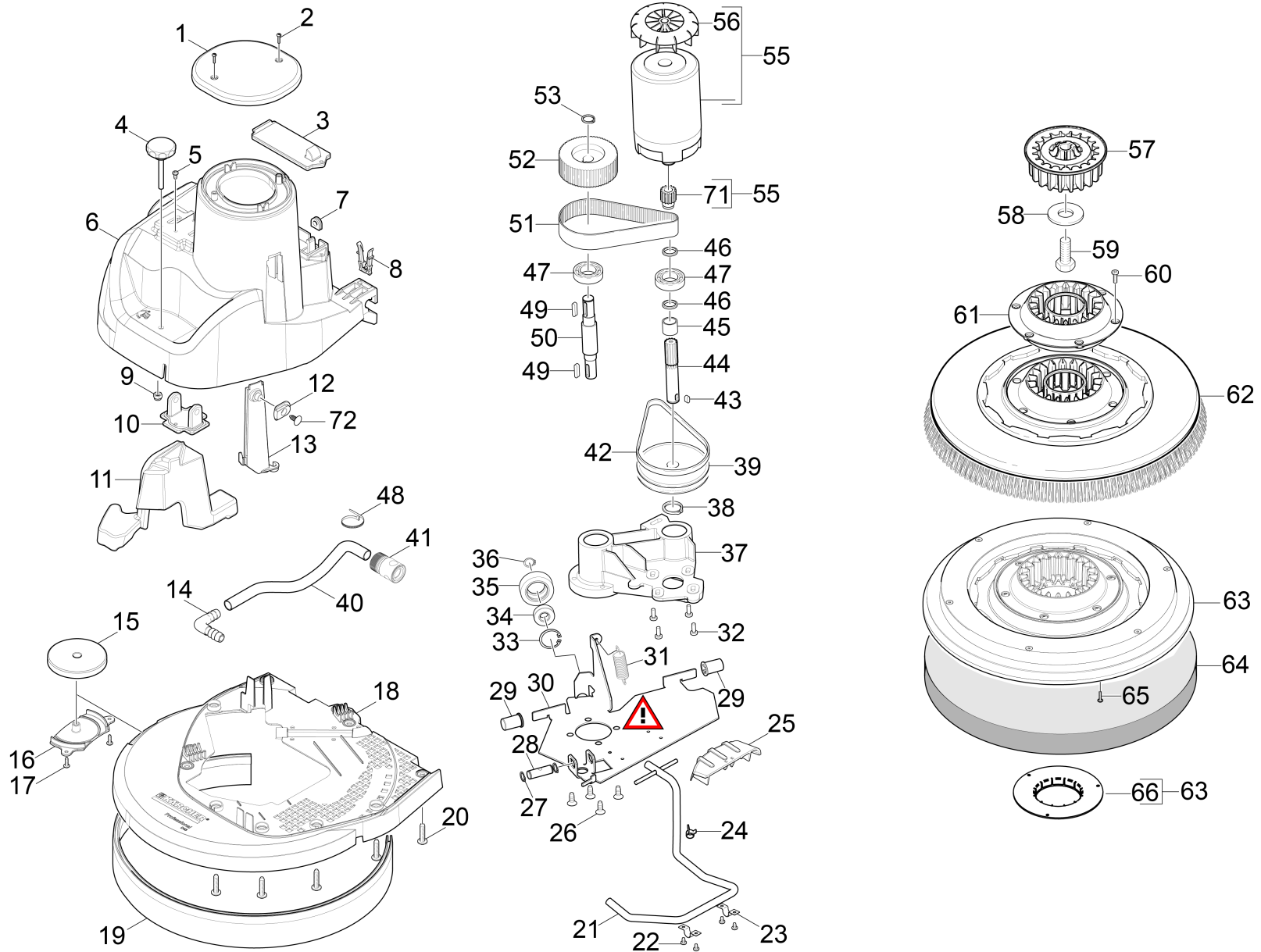


10 Conversion kit D51/R55C B60Bp

POS	Article no.	Description	Quantity	Unit
10	5.035-776.0	Sheet metal bracket brush-head EP	1	PC
20	5.035-777.0	Sheet steel angle brush-head EP	1	PC
30	7.306-047.0	Cylinder head screw M8x60 -8.8-A2E ISO4	3	PC
40	7.311-427.0	Hexagon nut M8 -04-A2E DIN 985	3	PC
60	7.303-275.0	Screw 8x50-10.9-A3E (In6Rd)	4	PC
70	5.035-809.0	Pad B60 EP	2	PC

1140 Brush-head D 51 Ep 230V

POS	Description	Quantity	Unit	Foot note text
10	Power brush BD	1	PC	VERSION 1
11	Power brush BD	1	PC	VERSION 2



10 Power brush BD

POS	Article no.	Description	Quantity	Unit	Remark	Foot note text
1	5.035-500.0	Motor cover BD	1	PC		
2	7.303-107.0	Screw 5x16 -10.9-P2R (K-In6Rd)	2	PC		
3	5.035-386.0	Cover electric box	1	PC		
4	6.321-249.0	Star grip	1	PC		
5	7.303-038.0	Screw M5x12 -St-P2R (In6Rd)	2	PC		
6	5.035-411.0	Cover BD	1	PC		
7	6.648-064.0	Cable bushing	1	PC		
8	5.035-424.0	Snap-fit	2	PC		
9	7.311-514.0	Hexagon nut M 8-A2-70 ISO 7040	1	PC		
10	5.035-604.0	Suspension seal brush-head BD	1	PC		
11	5.035-693.0	Additional weight BD40W	1	PC		
12	5.035-673.0	Sliding shoe	1	PC		
13	5.035-674.0	Mounting plate brush-head D43 / D51	1	PC		
14	6.388-628.0	Elbow connector 1/2"	1	PC		
15	5.035-499.0	Deflector roll	1	PC		
16	5.035-498.0	Fixing deflector roll	1	PC		
18	5.035-415.0	Cover disk D51	1	PC	D43	
19	5.035-695.3	Splash-proof profile D51	1	PC	D43	
20	6.303-315.0	Screw 8 x 35	11	PC		
21	4.035-435.0	Lever complete BD 40	1	PC		
22	7.303-328.0	Screw M5x8 -St-flZn/nc480h/C (In6Rd)	4	PC		
23	6.373-689.0	Pipe clamp	2	PC		
24	6.388-559.0	Hose clip	1	PC		
25	5.481-370.0	Pedal lever notch	1	PC		
26	7.303-226.0	Countersunk screw M8x20-St-A3E DIN7500(I	4	PC		VERSION 1
27	7.343-036.0	Locking ring 14x1-FST-RF DIN 471	2	PC		
28	5.035-683.0	Bolt contact pressure adjustment	1	PC		
29	5.035-711.0	Bearing bush	2	PC		
30	4.035-438.0	Base plate transmission complete	1	PC		
31	6.330-093.0	Extension spring	1	PC		
32	7.306-090.0	Screw M6x16 -8.8-P2R (In6Rd)	4	PC		
33	7.343-167.0	Locking ring 35x1,5-FST-BR DIN 472	1	PC		

10 Power brush BD

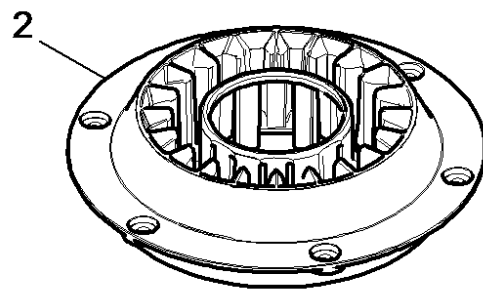
POS	Article no.	Description	Quantity	Unit	Remark	Foot note text
34	7.401-128.0	Ball bearing 6202-2RS -Wälzl.St DIN 625	1	PC		
35	9.763-063.0	Roller D56	1	PC		
36	7.343-015.0	Locking ring 15x1-FST-RF DIN 471	1	PC		
37	5.044-897.0	Holder belt drive	1	PC		
38	7.343-007.0	Locking ring 20x1,2-FST-RF DIN 471	1	PC		
39	5.625-403.0	Toothed lock washer 125Z	1	PC		
40	6.388-248.0	Hose DN12,7	1	m		TO ORDER AS CUT GOODS
41	2.645-191.0	Hose coupling entry Universal	1	PC		
42	6.348-383.0	Toothed belt HTD-447-3M-15 CXPIII	1	PC		
43	7.318-004.0	Parallel key A 6x6x12-C45K DIN 6885-1	1	PC		
44	5.100-379.0	Shaft belt drive 2	1	PC		
45	5.112-619.0	Bush for belt drive	1	PC		
46	5.112-616.0	Bush	2	PC		
47	7.401-173.0	Ball bearing 6204-2RS-WAELZLAGST DIN 625	4	PC		
48	6.641-463.0	Cable tape	2	PC		
49	7.318-031.0	Parallel key 6x6x28 -C45K DIN 6885-1	2	PC		
50	5.100-378.0	Shaft belt drive 1 BD 530	1	PC		
51	6.348-384.0	Toothed belt HTD-475-5M-40 CXPIII	1	PC		
52	5.625-402.0	Toothed lock washer 63Z	1	PC		
53	7.343-018.0	Locking ring 18x1,2-Rf-St DIN 471	1	PC		
55	4.035-466.0	Motor nur fuer Ersatz	1	PC	Ep 230V	
56	6.612-764.0	Blower wheel	1	PC	Ep 230V	
57	5.037-537.0	Retainer transmission	1	PC		VERSION 1
58	7.312-268.0	Washer 8 -A2 ISO 7094	1	PC		
59	6.304-176.0	Hexagonal head screw M8x16-A4-70 ISO 401	1	PC		VERSION 1
60	7.303-112.0	Screw 6x20 -10.9-R2R (In6Rd)	6	PC		
61	5.033-002.0	Retainer brush SWS	1	PC		
62	4.905-029.0	Disc brush complete black D51	1	PC		
62	4.905-027.0	Disc brush complete nature D51	1	PC		
62	4.905-028.0	Disc brush complete white D51	1	PC		

10 Power brush BD

POS	Article no.	Description	Quantity	Unit	Remark	Foot note text
62	4.905-026.0	Disc brush complete red D51	1	PC		
63	4.762-534.0	Pad disk complete D51	1	PC	D51	
63	4.762-593.0	Pad disk complete STRONG D51	1	PC	D51	ATTENTION! FITS ONLY TO PAD "MELAMIN"
64	6.371-320.0	Polishing pad white D508	3	PC		
64	6.371-261.0	Diamond pad yellow set 5x Ø508	1	PC		
64	6.371-260.0	Diamond pad white set 5x Ø508	1	PC		
64	6.371-259.0	Diamond pad yellow set 5x Ø457	1	PC		
64	6.371-240.0	Diamond pad green set 5x Ø508	1	PC		
64	6.371-146.0	Polishing pad beige 500 mm	1	PC		
64	6.371-025.0	Pad set 2x D 508 Melamin	1	PC		FITS ONLY TO DISK PAD "STRONG"
64	6.369-468.0	Polishing pad beige	1	ZSA		
64	6.369-079.0	Pad red	1	ZSA		
64	6.369-078.0	Pad green	1	ZSA		
64	6.369-077.0	Pad black	1	ZSA		
65	7.303-096.0	Screw 4x22-ST-10.9-R2R (IN6RD)	3	PC		
66	5.122-015.0	Centerlock	1	PC		
71	5.625-400.0	Toothed lock washer 28Z	1	PC	Ep 230V	
72	6.343-261.0	Quick-fastener	1	PC		

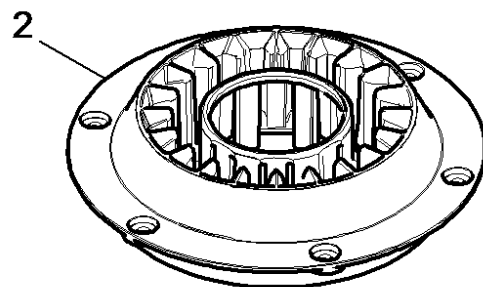
21 Lever complete BD 40 (4.035-435.0)

POS	Article no.	Description	Quantity	Unit
2	5.105-638.0	Axle	1	PC



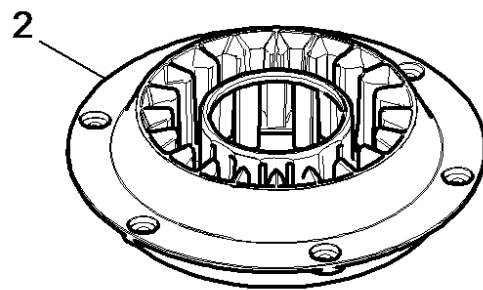
62 Disc brush complete red D51 (4.905-026.0)

POS	Article no.	Description	Quantity	Unit
2	5.033-002.0	Retainer brush SWS	1	PC



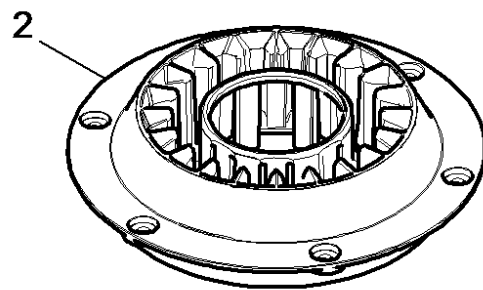
62 Disc brush complete nature D51 (4.905-027.0)

POS	Article no.	Description	Quantity	Unit
2	5.033-002.0	Retainer brush SWS	1	PC



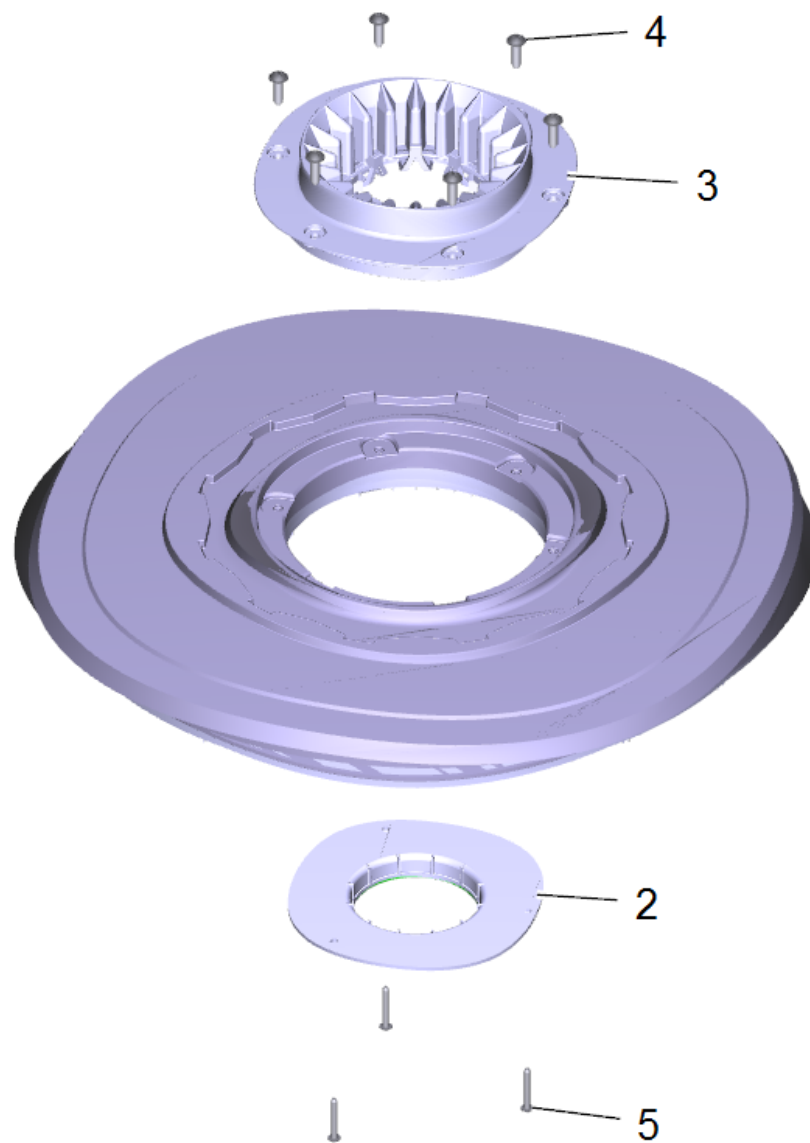
62 Disc brush complete white D51 (4.905-028.0)

POS	Article no.	Description	Quantity	Unit
2	5.033-002.0	Retainer brush SWS	1	PC



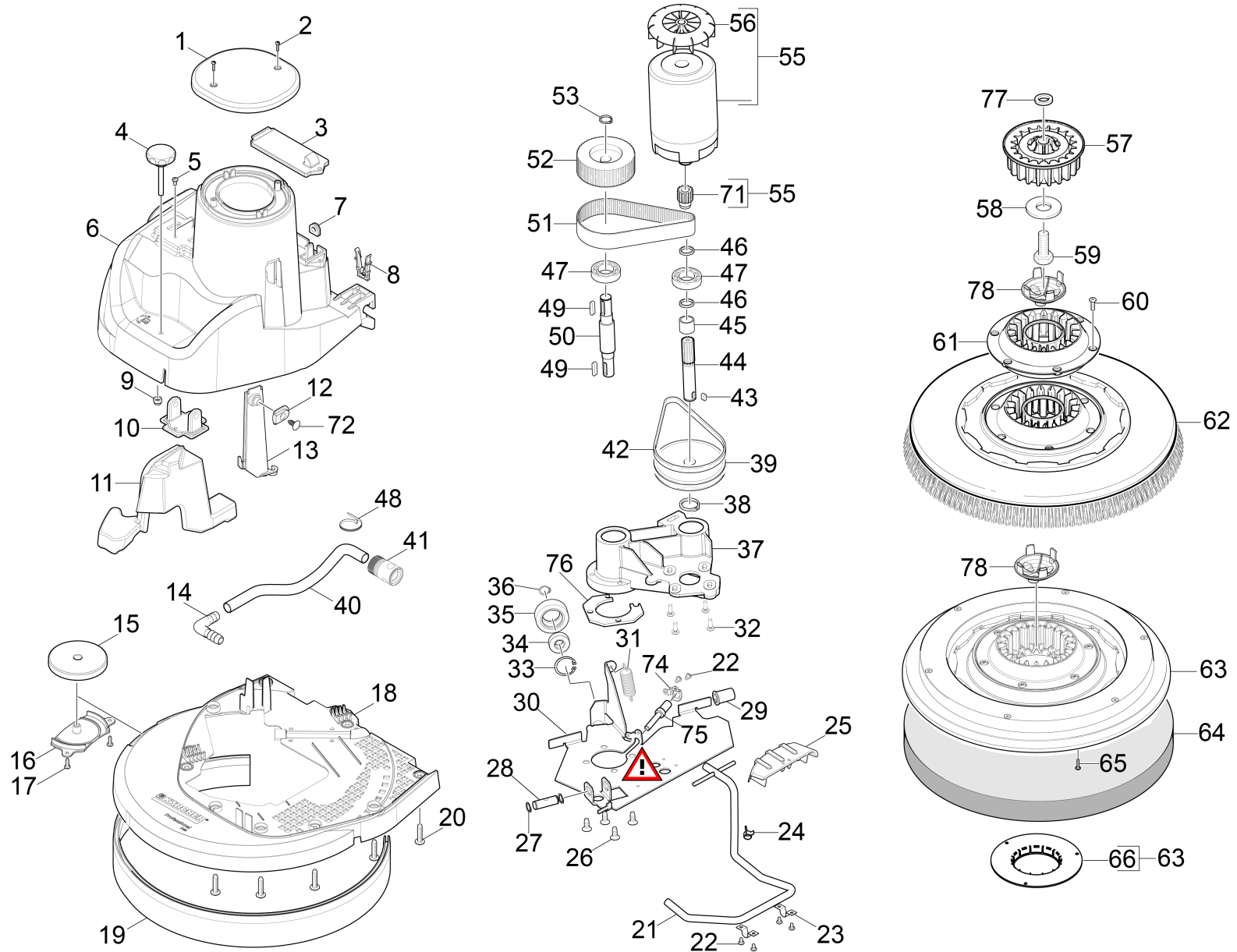
62 Disc brush complete black D51 (4.905-029.0)

POS	Article no.	Description	Quantity	Unit
2	5.033-002.0	Retainer brush SWS	1	PC



63 Pad disk complete D51 (4.762-534.0)

POS	Article no.	Description	Quantity	Unit
2	5.122-015.0	Centerlock	1	PC
3	5.033-002.0	Retainer brush SWS	1	PC
4	7.303-112.0	Screw 6x20 -10.9-R2R (In6Rd)	6	PC
5	7.303-096.0	Screw 4x22-ST-10.9-R2R (IN6RD)	3	PC



11 Power brush BD

POS	Article no.	Description	Quantity	Unit	Remark	Foot note text
1	5.035-500.0	Motor cover BD	1	PC		
2	7.303-107.0	Screw 5x16 -10.9-P2R (K-In6Rd)	2	PC		
3	5.035-386.0	Cover electric box	1	PC		
4	6.321-249.0	Star grip	1	PC		
5	7.303-038.0	Screw M5x12 -St-P2R (In6Rd)	2	PC		
6	5.035-411.0	Cover BD	1	PC		
7	6.648-064.0	Cable bushing	1	PC		
8	5.035-424.0	Snap-fit	2	PC		
9	7.311-514.0	Hexagon nut M 8-A2-70 ISO 7040	1	PC		
10	5.035-604.0	Suspension seal brush-head BD	1	PC		
11	5.035-693.0	Additional weight BD40W	1	PC		
12	5.035-673.0	Sliding shoe	1	PC		
13	5.035-674.0	Mounting plate brush-head D43 / D51	1	PC		
14	6.388-628.0	Elbow connector 1/2"	1	PC		
15	5.035-499.0	Deflector roll	1	PC		
16	5.035-498.0	Fixing deflector roll	1	PC		
17	7.303-107.0	Screw 5x16 -10.9-P2R (K-In6Rd)	2	PC		
18	5.035-415.0	Cover disk D51	1	PC	D43	
19	5.035-695.3	Splash-proof profile D51	1	PC	D43	
20	6.303-315.0	Screw 8 x 35	11	PC		
21	4.035-435.0	Lever complete BD 40	1	PC		
22	7.303-328.0	Screw M5x8 -St-flZn/nc480h/C (In6Rd)	6	PC		
23	6.373-689.0	Pipe clamp	2	PC		
24	6.388-559.0	Hose clip	1	PC		
25	5.481-370.0	Pedal lever notch	1	PC		
26	7.303-328.0	Screw M5x8 -St-flZn/nc480h/C (In6Rd)	4	PC		VERSION 2
27	7.343-036.0	Locking ring 14x1-FST-RF DIN 471	2	PC		
28	5.035-683.0	Bolt contact pressure adjustment	1	PC		
29	5.035-711.0	Bearing bush	2	PC		
30	4.035-438.0	Base plate transmission complete	1	PC		
31	6.330-093.0	Extension spring	1	PC		
32	7.306-090.0	Screw M6x16 -8.8-P2R (In6Rd)	4	PC		
33	7.343-167.0	Locking ring 35x1,5-FST-BR DIN 472	1	PC		

11 Power brush BD

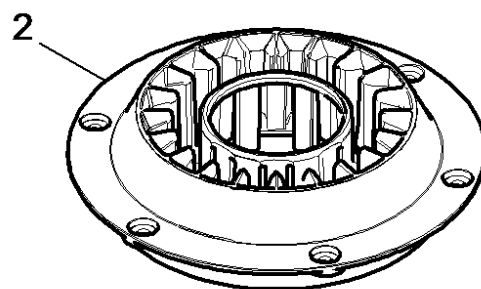
POS	Article no.	Description	Quantity	Unit	Remark	Foot note text
34	7.401-128.0	Ball bearing 6202-2RS -Wälzl.St DIN 625	1	PC		
35	9.763-063.0	Roller D56	1	PC		
35	9.763-063.0	Roller D56	1	PC		
36	7.343-015.0	Locking ring 15x1-FST-RF DIN 471	1	PC		
37	5.044-897.0	Holder belt drive	1	PC		
38	7.343-007.0	Locking ring 20x1,2-FST-RF DIN 471	1	PC		
39	5.625-403.0	Toothed lock washer 125Z	1	PC		
40	6.388-248.0	Hose DN12,7	1	m		TO ORDER AS CUT GOODS
41	2.645-191.0	Hose coupling entry Universal	1	PC		
42	6.348-383.0	Toothed belt HTD-447-3M-15 CXPIII	1	PC		
43	7.318-004.0	Parallel key A 6x6x12-C45K DIN 6885-1	1	PC		
44	5.100-379.0	Shaft belt drive 2	1	PC		
45	5.112-619.0	Bush for belt drive	1	PC		
46	5.112-616.0	Bush	2	PC		
47	7.401-173.0	Ball bearing 6204-2RS-WAELZLAGST DIN 625	4	PC		
48	6.641-463.0	Cable tape	2	PC		
49	7.318-031.0	Parallel key 6x6x28 -C45K DIN 6885-1	2	PC		
50	5.100-378.0	Shaft belt drive 1 BD 530	1	PC		
51	6.348-384.0	Toothed belt HTD-475-5M-40 CXPIII	1	PC		
52	5.625-402.0	Toothed lock washer 63Z	1	PC		
53	7.343-018.0	Locking ring 18x1,2-Rf-St DIN 471	1	PC		
55	4.035-466.0	Motor nur fuer Ersatz	1	PC	Ep 230V	
56	6.612-764.0	Blower wheel	1	PC	Ep 230V	
57	5.037-537.0	Retainer transmission	1	PC		VERSION 2
58	7.312-268.0	Washer 8 -A2 ISO 7094	1	PC		
59	7.304-516.0	Hexagonal head screw M8x20-A4-70 ISO 40	1	PC		VERSION 2
60	7.303-112.0	Screw 6x20 -10.9-R2R (In6Rd)	6	PC		
61	5.033-002.0	Retainer brush SWS	1	PC		
62	4.905-026.0	Disc brush complete red D51	1	PC		
62	4.905-027.0	Disc brush complete nature D51	1	PC		

11 Power brush BD

POS	Article no.	Description	Quantity	Unit	Remark	Foot note text
62	4.905-028.0	Disc brush complete white D51	1	PC		
62	4.905-029.0	Disc brush complete black D51	1	PC		
63	4.762-534.0	Pad disk complete D51	1	PC	D43	
63	4.762-593.0	Pad disk complete STRONG D51	1	PC		ATTENTION! FITS ONLY TO PAD "MELAMIN"
64	6.371-240.0	Diamond pad green set 5x Ø508	1	PC		
64	6.371-320.0	Polishing pad white D508	3	PC		
64	6.369-077.0	Pad black	1	ZSA		
64	6.371-260.0	Diamond pad white set 5x Ø508	1	PC		
64	6.371-259.0	Diamond pad yellow set 5x Ø457	1	PC		
64	6.371-261.0	Diamond pad yellow set 5x Ø508	1	PC		
64	6.371-146.0	Polishing pad beige 500 mm	1	PC		
64	6.371-025.0	Pad set 2x D 508 Melamin	1	PC		FITS ONLY TO DISK PAD "STRONG"
64	6.369-468.0	Polishing pad beige	1	ZSA		
64	6.369-079.0	Pad red	1	ZSA		
64	6.369-078.0	Pad green	1	ZSA		
65	7.303-096.0	Screw 4x22-ST-10.9-R2R (IN6RD)	3	PC		
66	5.122-015.0	Centerlock	1	PC		
71	5.625-400.0	Toothed lock washer 28Z	1	PC	Ep 230V	
72	6.343-261.0	Quick-fastener	1	PC		
74	5.047-072.0	Strap fixing	1	PC		VERSION 2
75	5.116-081.0	Reducer	1	PC		VERSION 2
76	5.047-065.0	Packing plate	1	PC		VERSION 2
77	5.112-018.0	Washer 18,2x30x5	1	PC		VERSION 2
78	5.037-490.0	Guide water D-Kopf	1	PC		

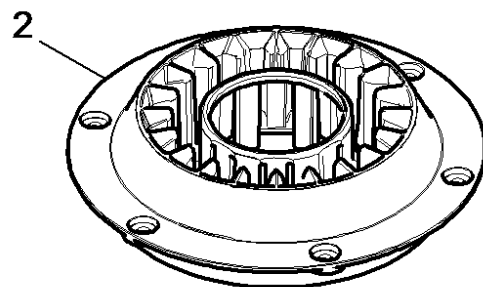
21 Lever complete BD 40 (4.035-435.0)

POS	Article no.	Description	Quantity	Unit
2	5.105-638.0	Axle	1	PC



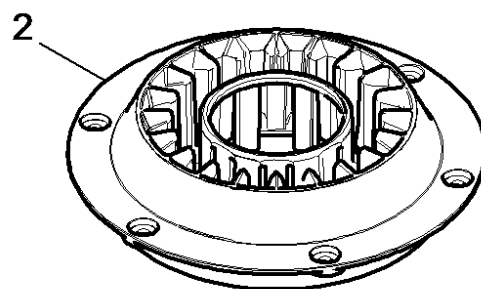
62 Disc brush complete red D51 (4.905-026.0)

POS	Article no.	Description	Quantity	Unit
2	5.033-002.0	Retainer brush SWS	1	PC



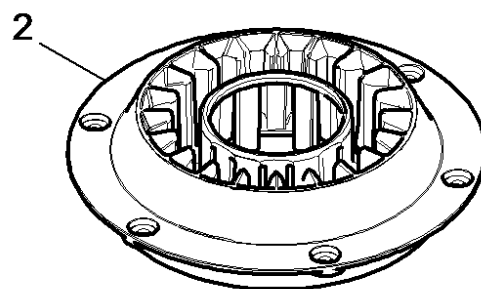
62 Disc brush complete nature D51 (4.905-027.0)

POS	Article no.	Description	Quantity	Unit
2	5.033-002.0	Retainer brush SWS	1	PC



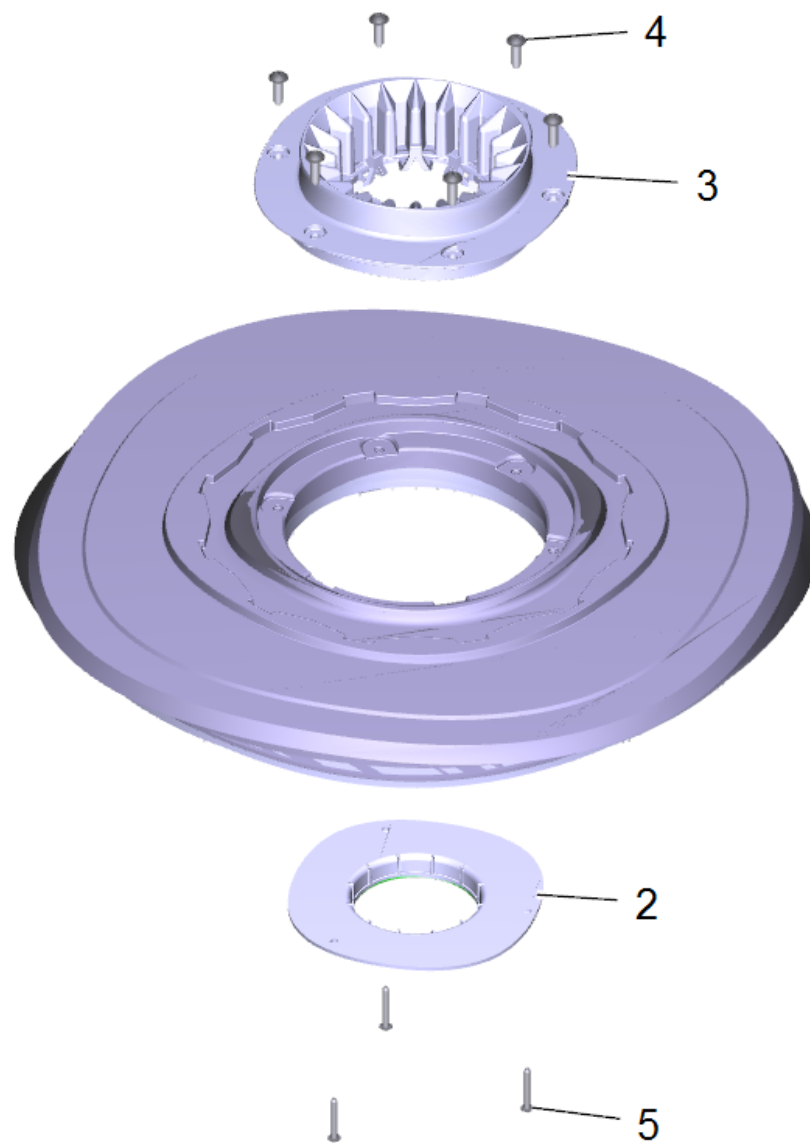
62 Disc brush complete white D51 (4.905-028.0)

POS	Article no.	Description	Quantity	Unit
2	5.033-002.0	Retainer brush SWS	1	PC



62 Disc brush complete black D51 (4.905-029.0)

POS	Article no.	Description	Quantity	Unit
2	5.033-002.0	Retainer brush SWS	1	PC

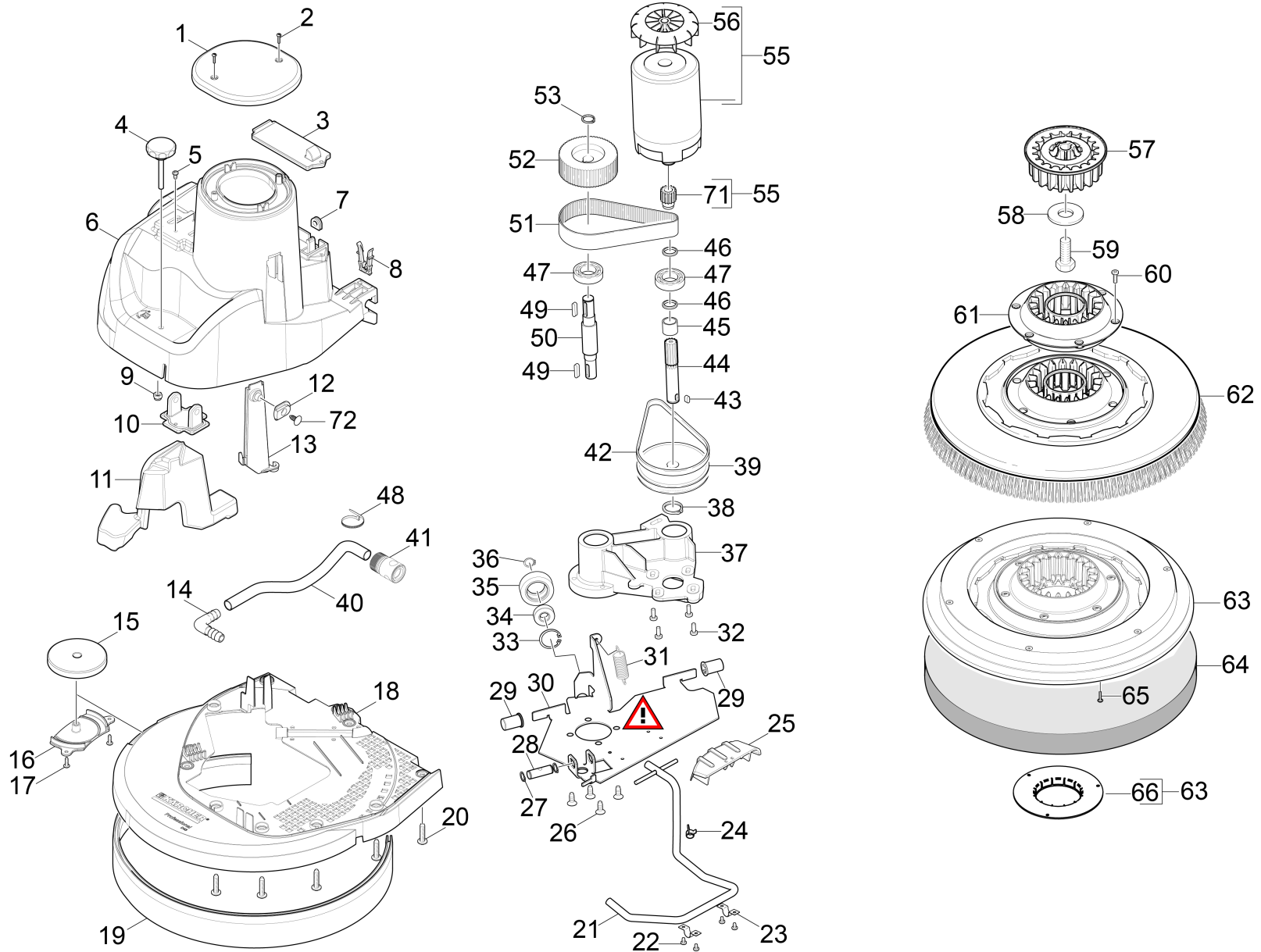


63 Pad disk complete D51 (4.762-534.0)

POS	Article no.	Description	Quantity	Unit
2	5.122-015.0	Centerlock	1	PC
3	5.033-002.0	Retainer brush SWS	1	PC
4	7.303-112.0	Screw 6x20 -10.9-R2R (In6Rd)	6	PC
5	7.303-096.0	Screw 4x22-ST-10.9-R2R (IN6RD)	3	PC

1150 Brush-head D 51 Ep 120V

POS	Description	Quantity	Unit	Foot note text
10	Power brush BD	1	PC	VERSION 1
11	Power brush BD	1	PC	VERSION 2



10 Power brush BD

POS	Article no.	Description	Quantity	Unit	Remark	Foot note text
1	5.035-500.0	Motor cover BD	1	PC		
2	7.303-107.0	Screw 5x16 -10.9-P2R (K-In6Rd)	2	PC		
3	5.035-386.0	Cover electric box	1	PC		
4	6.321-249.0	Star grip	1	PC		
5	7.303-038.0	Screw M5x12 -St-P2R (In6Rd)	2	PC		
6	5.035-411.0	Cover BD	1	PC		
7	6.648-064.0	Cable bushing	1	PC		
8	5.035-424.0	Snap-fit	2	PC		
9	7.311-514.0	Hexagon nut M 8-A2-70 ISO 7040	1	PC		
10	5.035-604.0	Suspension seal brush-head BD	1	PC		
11	5.035-693.0	Additional weight BD40W	1	PC		
12	5.035-673.0	Sliding shoe	1	PC		
13	5.035-674.0	Mounting plate brush-head D43 / D51	1	PC		
14	6.388-628.0	Elbow connector 1/2"	1	PC		
15	5.035-499.0	Deflector roll	1	PC		
16	5.035-498.0	Fixing deflector roll	1	PC		
18	5.035-415.0	Cover disk D51	1	PC	D43	
19	5.035-695.3	Splash-proof profile D51	1	PC	D43	
20	6.303-315.0	Screw 8 x 35	11	PC		
21	4.035-435.0	Lever complete BD 40	1	PC		
22	7.303-328.0	Screw M5x8 -St-flZn/nc480h/C (In6Rd)	4	PC		
23	6.373-689.0	Pipe clamp	2	PC		
24	6.388-559.0	Hose clip	1	PC		
25	5.481-370.0	Pedal lever notch	1	PC		
26	7.303-226.0	Countersunk screw M8x20-St-A3E DIN7500(I	4	PC		VERSION 1
27	7.343-036.0	Locking ring 14x1-FST-RF DIN 471	2	PC		
28	5.035-683.0	Bolt contact pressure adjustment	1	PC		
29	5.035-711.0	Bearing bush	2	PC		
30	4.035-438.0	Base plate transmission complete	1	PC		
31	6.330-093.0	Extension spring	1	PC		
32	7.306-090.0	Screw M6x16 -8.8-P2R (In6Rd)	4	PC		
33	7.343-167.0	Locking ring 35x1,5-FST-BR DIN 472	1	PC		

10 Power brush BD

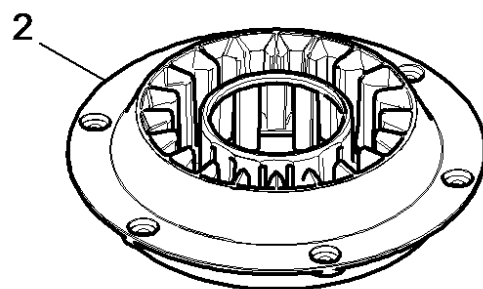
POS	Article no.	Description	Quantity	Unit	Remark	Foot note text
34	7.401-128.0	Ball bearing 6202-2RS -Wälzl.St DIN 625	1	PC		
35	9.763-063.0	Roller D56	1	PC		
36	7.343-015.0	Locking ring 15x1-FST-RF DIN 471	1	PC		
37	5.044-897.0	Holder belt drive	1	PC		
38	7.343-007.0	Locking ring 20x1,2-FST-RF DIN 471	1	PC		
39	5.625-403.0	Toothed lock washer 125Z	1	PC		
40	6.388-248.0	Hose DN12,7	1	m		TO ORDER AS CUT GOODS
41	2.645-191.0	Hose coupling entry Universal	1	PC		
42	6.348-383.0	Toothed belt HTD-447-3M-15 CXPIII	1	PC		
43	7.318-004.0	Parallel key A 6x6x12-C45K DIN 6885-1	1	PC		
44	5.100-379.0	Shaft belt drive 2	1	PC		
45	5.112-619.0	Bush for belt drive	1	PC		
46	5.112-616.0	Bush	2	PC		
47	7.401-173.0	Ball bearing 6204-2RS-WAELZLAGST DIN 625	4	PC		
48	6.641-463.0	Cable tape	2	PC		
49	7.318-031.0	Parallel key 6x6x28 -C45K DIN 6885-1	2	PC		
50	5.100-378.0	Shaft belt drive 1 BD 530	1	PC		
51	6.348-384.0	Toothed belt HTD-475-5M-40 CXPIII	1	PC		
52	5.625-402.0	Toothed lock washer 63Z	1	PC		
53	7.343-018.0	Locking ring 18x1,2-Rf-St DIN 471	1	PC		
55	4.035-467.0	Motor nur fuer Ersatz	1	PC	Ep 120V	
56	6.612-764.0	Blower wheel	1	PC	Ep 120V + Ep 230V	
57	5.037-537.0	Retainer transmission	1	PC		VERSION 1
58	7.312-268.0	Washer 8 -A2 ISO 7094	1	PC		
59	6.304-176.0	Hexagonal head screw M8x16-A4-70 ISO 401	1	PC		VERSION 1
60	7.303-112.0	Screw 6x20 -10.9-R2R (In6Rd)	6	PC		
61	5.033-002.0	Retainer brush SWS	1	PC		
62	4.905-029.0	Disc brush complete black D51	1	PC		
62	4.905-026.0	Disc brush complete red D51	1	PC		
62	4.905-028.0	Disc brush complete white D51	1	PC		

10 Power brush BD

POS	Article no.	Description	Quantity	Unit	Remark	Foot note text
62	4.905-027.0	Disc brush complete nature D51	1	PC		
63	4.762-534.0	Pad disk complete D51	1	PC	D51	
63	4.762-593.0	Pad disk complete STRONG D51	1	PC	D51	ATTENTION! FITS ONLY TO PAD "MELAMIN"
64	6.371-320.0	Polishing pad white D508	3	PC		
64	6.371-261.0	Diamond pad yellow set 5x Ø508	1	PC		
64	6.371-260.0	Diamond pad white set 5x Ø508	1	PC		
64	6.371-240.0	Diamond pad green set 5x Ø508	1	PC		
64	6.371-146.0	Polishing pad beige 500 mm	1	PC		
64	6.371-025.0	Pad set 2x D 508 Melamin	1	PC		FITS ONLY TO DISK PAD "STRONG"
64	6.369-468.0	Polishing pad beige	1	ZSA		
64	6.369-079.0	Pad red	1	ZSA		
64	6.369-078.0	Pad green	1	ZSA		
64	6.369-077.0	Pad black	1	ZSA		
65	7.303-096.0	Screw 4x22-ST-10.9-R2R (IN6RD)	3	PC		
66	5.122-015.0	Centerlock	1	PC		
71	5.625-400.0	Toothed lock washer 28Z	1	PC	Ep 120V + Ep 230V	
72	6.343-261.0	Quick-fastener	1	PC		

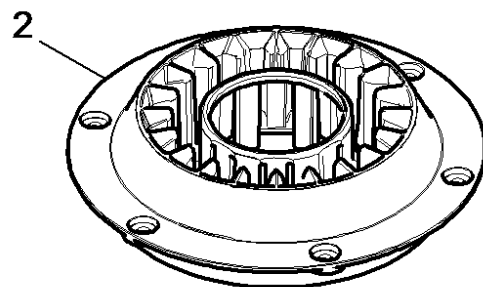
21 Lever complete BD 40 (4.035-435.0)

POS	Article no.	Description	Quantity	Unit
2	5.105-638.0	Axle	1	PC



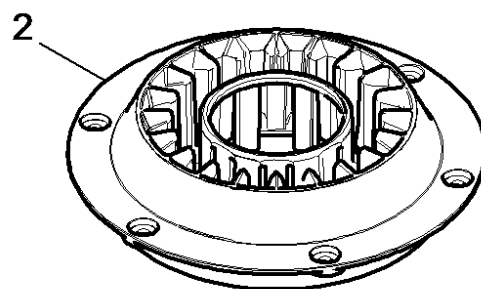
62 Disc brush complete red D51 (4.905-026.0)

POS	Article no.	Description	Quantity	Unit
2	5.033-002.0	Retainer brush SWS	1	PC



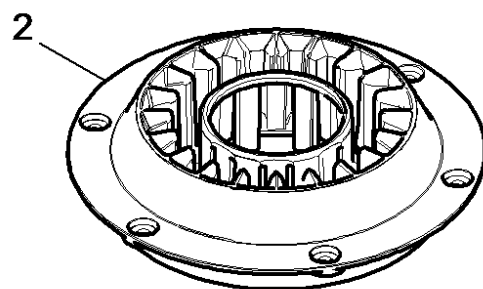
62 Disc brush complete nature D51 (4.905-027.0)

POS	Article no.	Description	Quantity	Unit
2	5.033-002.0	Retainer brush SWS	1	PC



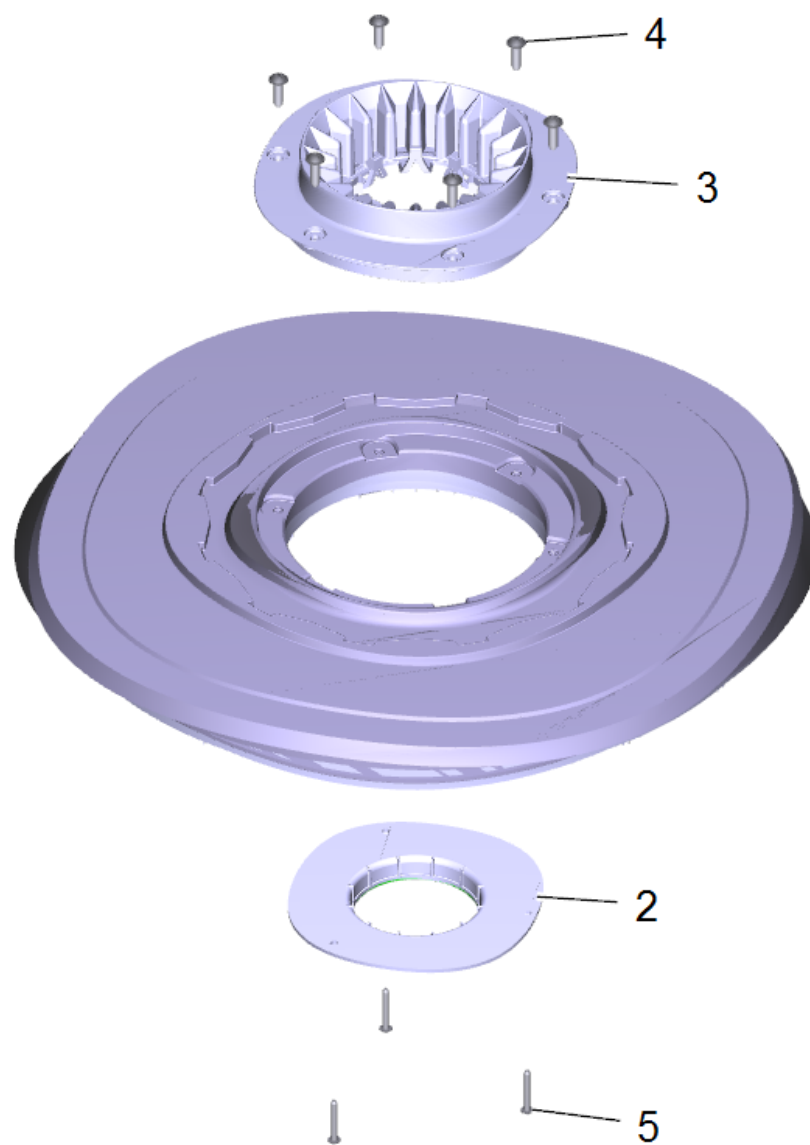
62 Disc brush complete white D51 (4.905-028.0)

POS	Article no.	Description	Quantity	Unit
2	5.033-002.0	Retainer brush SWS	1	PC



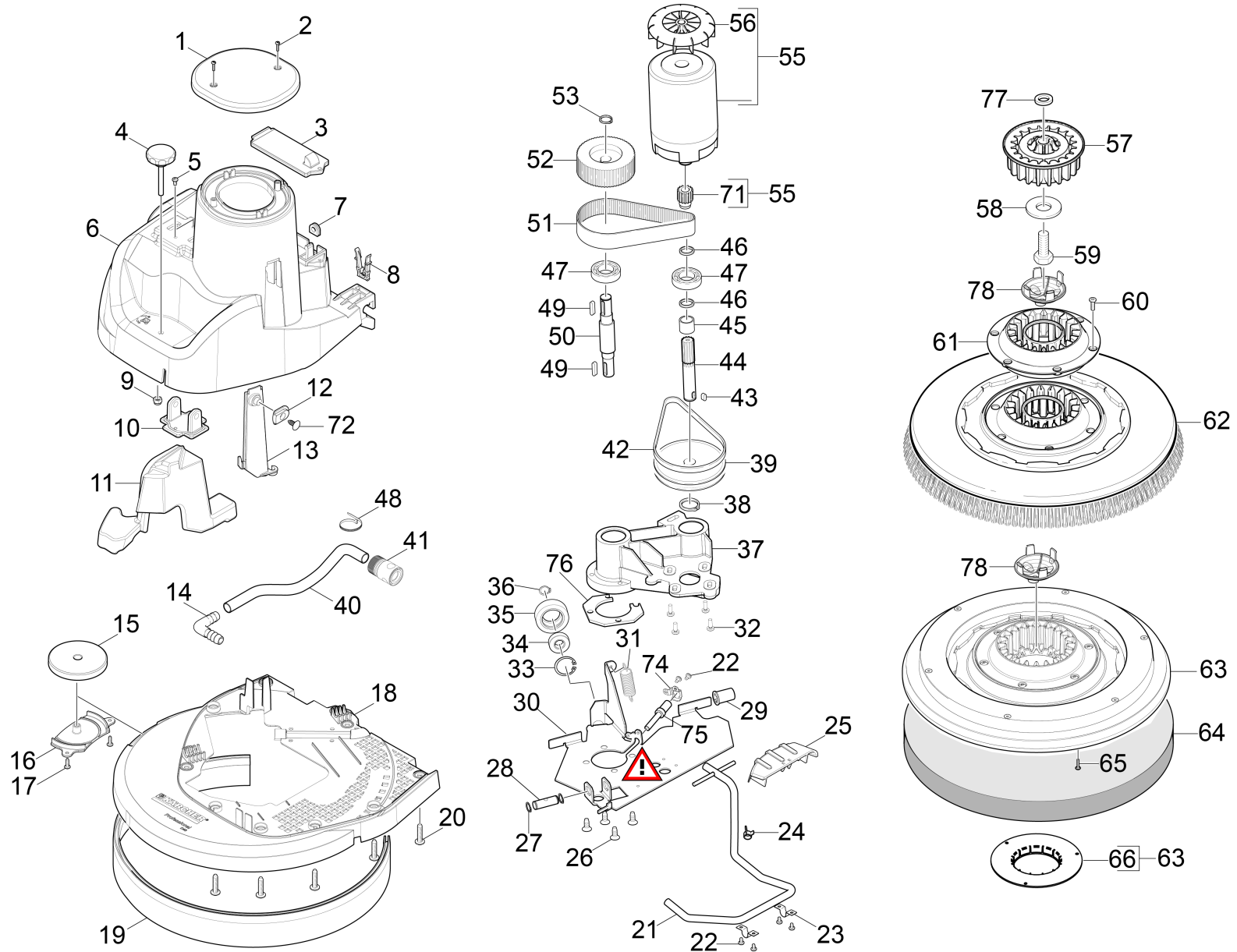
62 Disc brush complete black D51 (4.905-029.0)

POS	Article no.	Description	Quantity	Unit
2	5.033-002.0	Retainer brush SWS	1	PC



63 Pad disk complete D51 (4.762-534.0)

POS	Article no.	Description	Quantity	Unit
2	5.122-015.0	Centerlock	1	PC
3	5.033-002.0	Retainer brush SWS	1	PC
4	7.303-112.0	Screw 6x20 -10.9-R2R (In6Rd)	6	PC
5	7.303-096.0	Screw 4x22-ST-10.9-R2R (IN6RD)	3	PC



11 Power brush BD

POS	Article no.	Description	Quantity	Unit	Remark	Foot note text
1	5.035-500.0	Motor cover BD	1	PC		
2	7.303-107.0	Screw 5x16 -10.9-P2R (K-In6Rd)	2	PC		
3	5.035-386.0	Cover electric box	1	PC		
4	6.321-249.0	Star grip	1	PC		
5	7.303-038.0	Screw M5x12 -St-P2R (In6Rd)	2	PC		
6	5.035-411.0	Cover BD	1	PC		
7	6.648-064.0	Cable bushing	1	PC		
8	5.035-424.0	Snap-fit	2	PC		
9	7.311-514.0	Hexagon nut M 8-A2-70 ISO 7040	1	PC		
10	5.035-604.0	Suspension seal brush-head BD	1	PC		
11	5.035-693.0	Additional weight BD40W	1	PC		
12	5.035-673.0	Sliding shoe	1	PC		
13	5.035-674.0	Mounting plate brush-head D43 / D51	1	PC		
14	6.388-628.0	Elbow connector 1/2"	1	PC		
15	5.035-499.0	Deflector roll	1	PC		
16	5.035-498.0	Fixing deflector roll	1	PC		
17	7.303-107.0	Screw 5x16 -10.9-P2R (K-In6Rd)	2	PC		
18	5.035-415.0	Cover disk D51	1	PC	D43	
19	5.035-695.3	Splash-proof profile D51	1	PC	D43	
20	6.303-315.0	Screw 8 x 35	11	PC		
21	4.035-435.0	Lever complete BD 40	1	PC		
22	7.303-328.0	Screw M5x8 -St-flZn/nc480h/C (In6Rd)	6	PC		
23	6.373-689.0	Pipe clamp	2	PC		
24	6.388-559.0	Hose clip	1	PC		
25	5.481-370.0	Pedal lever notch	1	PC		
26	7.303-328.0	Screw M5x8 -St-flZn/nc480h/C (In6Rd)	4	PC		VERSION 2
27	7.343-036.0	Locking ring 14x1-FST-RF DIN 471	2	PC		
28	5.035-683.0	Bolt contact pressure adjustment	1	PC		
29	5.035-711.0	Bearing bush	2	PC		
30	4.035-438.0	Base plate transmission complete	1	PC		
31	6.330-093.0	Extension spring	1	PC		
32	7.306-090.0	Screw M6x16 -8.8-P2R (In6Rd)	4	PC		
33	7.343-167.0	Locking ring 35x1,5-FST-BR DIN 472	1	PC		

11 Power brush BD

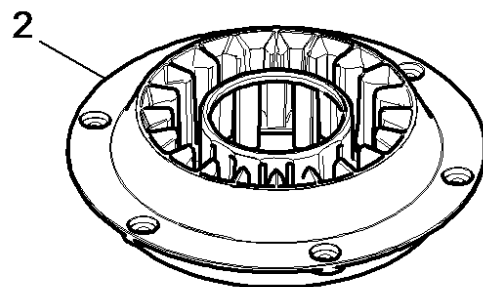
POS	Article no.	Description	Quantity	Unit	Remark	Foot note text
34	7.401-128.0	Ball bearing 6202-2RS -Wälzl.St DIN 625	1	PC		
35	9.763-063.0	Roller D56	1	PC		
35	9.763-063.0	Roller D56	1	PC		
36	7.343-015.0	Locking ring 15x1-FST-RF DIN 471	1	PC		
37	5.044-897.0	Holder belt drive	1	PC		
38	7.343-007.0	Locking ring 20x1,2-FST-RF DIN 471	1	PC		
39	5.625-403.0	Toothed lock washer 125Z	1	PC		
40	6.388-248.0	Hose DN12,7	1	m		TO ORDER AS CUT GOODS
41	2.645-191.0	Hose coupling entry Universal	1	PC		
42	6.348-383.0	Toothed belt HTD-447-3M-15 CXPIII	1	PC		
43	7.318-004.0	Parallel key A 6x6x12-C45K DIN 6885-1	1	PC		
44	5.100-379.0	Shaft belt drive 2	1	PC		
45	5.112-619.0	Bush for belt drive	1	PC		
46	5.112-616.0	Bush	2	PC		
47	7.401-173.0	Ball bearing 6204-2RS-WAELZLAGST DIN 625	4	PC		
48	6.641-463.0	Cable tape	2	PC		
49	7.318-031.0	Parallel key 6x6x28 -C45K DIN 6885-1	2	PC		
50	5.100-378.0	Shaft belt drive 1 BD 530	1	PC		
51	6.348-384.0	Toothed belt HTD-475-5M-40 CXPIII	1	PC		
52	5.625-402.0	Toothed lock washer 63Z	1	PC		
53	7.343-018.0	Locking ring 18x1,2-Rf-St DIN 471	1	PC		
55	4.035-467.0	Motor nur fuer Ersatz	1	PC	Ep 120V	
56	6.612-764.0	Blower wheel	1	PC	Ep 120V + Ep 230V	
57	5.037-537.0	Retainer transmission	1	PC		VERSION 2
58	7.312-268.0	Washer 8 -A2 ISO 7094	1	PC		
59	7.304-516.0	Hexagonal head screw M8x20-A4-70 ISO 40	1	PC		VERSION 2
60	7.303-112.0	Screw 6x20 -10.9-R2R (In6Rd)	6	PC		
61	5.033-002.0	Retainer brush SWS	1	PC		
62	4.905-026.0	Disc brush complete red D51	1	PC		
62	4.905-027.0	Disc brush complete nature D51	1	PC		

11 Power brush BD

POS	Article no.	Description	Quantity	Unit	Remark	Foot note text
62	4.905-028.0	Disc brush complete white D51	1	PC		
62	4.905-029.0	Disc brush complete black D51	1	PC		
63	4.762-534.0	Pad disk complete D51	1	PC	D43	
63	4.762-593.0	Pad disk complete STRONG D51	1	PC		ATTENTION! FITS ONLY TO PAD "MELAMIN"
64	6.371-240.0	Diamond pad green set 5x Ø508	1	PC		
64	6.369-077.0	Pad black	1	ZSA		
64	6.371-261.0	Diamond pad yellow set 5x Ø508	1	PC		
64	6.371-260.0	Diamond pad white set 5x Ø508	1	PC		
64	6.371-320.0	Polishing pad white D508	3	PC		
64	6.371-146.0	Polishing pad beige 500 mm	1	PC		
64	6.371-025.0	Pad set 2x D 508 Melamin	1	PC		FITS ONLY TO DISK PAD "STRONG"
64	6.369-468.0	Polishing pad beige	1	ZSA		
64	6.369-079.0	Pad red	1	ZSA		
64	6.369-078.0	Pad green	1	ZSA		
65	7.303-096.0	Screw 4x22-ST-10.9-R2R (IN6RD)	3	PC		
66	5.122-015.0	Centerlock	1	PC		
71	5.625-400.0	Toothed lock washer 28Z	1	PC	Ep 120V + Ep 230V	
72	6.343-261.0	Quick-fastener	1	PC		
74	5.047-072.0	Strap fixing	1	PC		VERSION 2
75	5.116-081.0	Reducer	1	PC		VERSION 2
76	5.047-065.0	Packing plate	1	PC		VERSION 2
77	5.112-018.0	Washer 18,2x30x5	1	PC		VERSION 2
78	5.037-490.0	Guide water D-Kopf	1	PC		

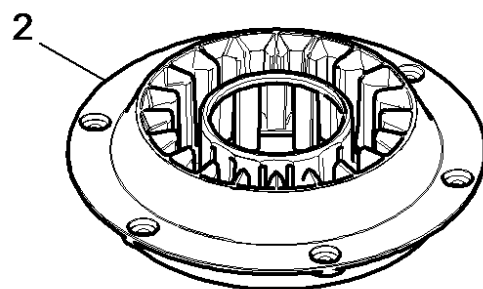
21 Lever complete BD 40 (4.035-435.0)

POS	Article no.	Description	Quantity	Unit
2	5.105-638.0	Axle	1	PC



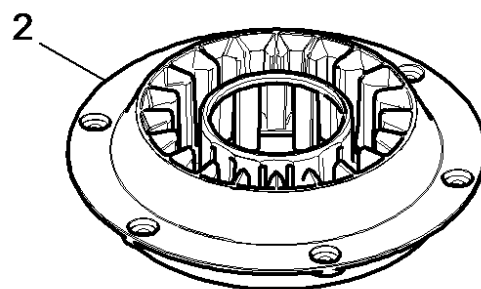
62 Disc brush complete red D51 (4.905-026.0)

POS	Article no.	Description	Quantity	Unit
2	5.033-002.0	Retainer brush SWS	1	PC



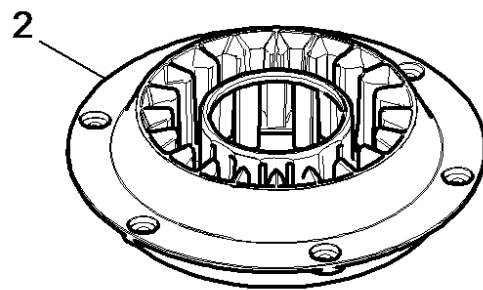
62 Disc brush complete nature D51 (4.905-027.0)

POS	Article no.	Description	Quantity	Unit
2	5.033-002.0	Retainer brush SWS	1	PC



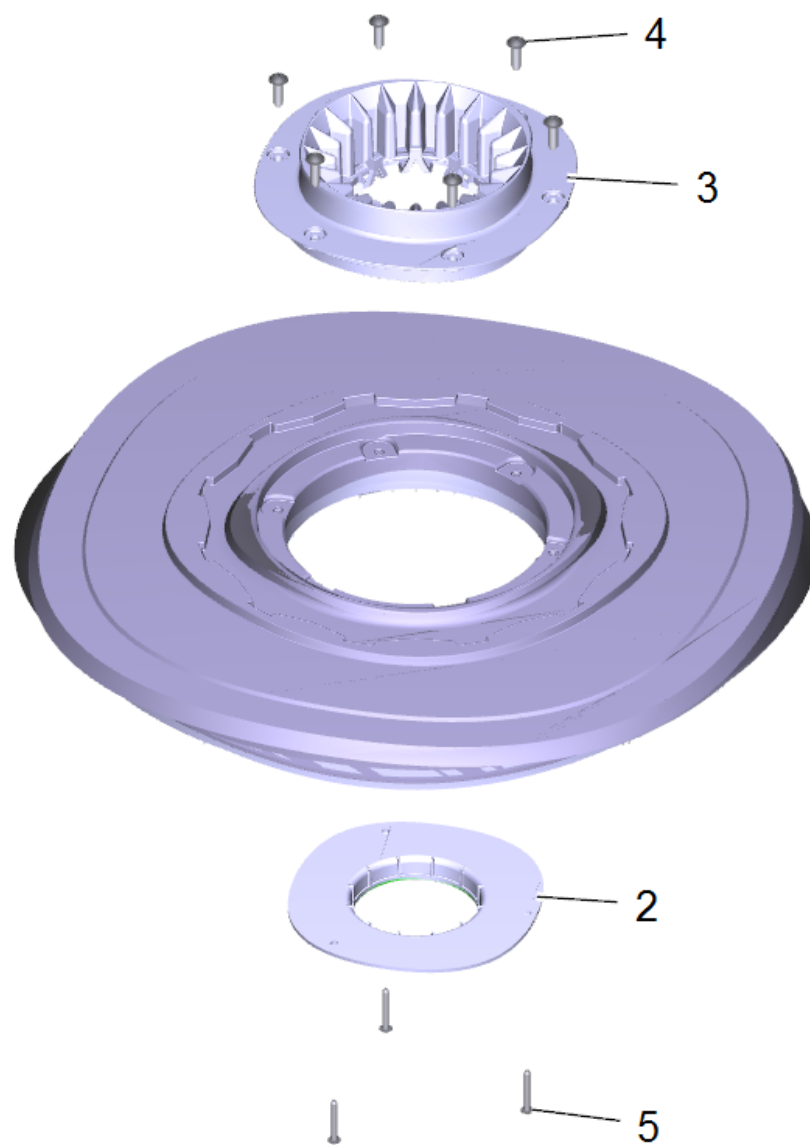
62 Disc brush complete white D51 (4.905-028.0)

POS	Article no.	Description	Quantity	Unit
2	5.033-002.0	Retainer brush SWS	1	PC



62 Disc brush complete black D51 (4.905-029.0)

POS	Article no.	Description	Quantity	Unit
2	5.033-002.0	Retainer brush SWS	1	PC

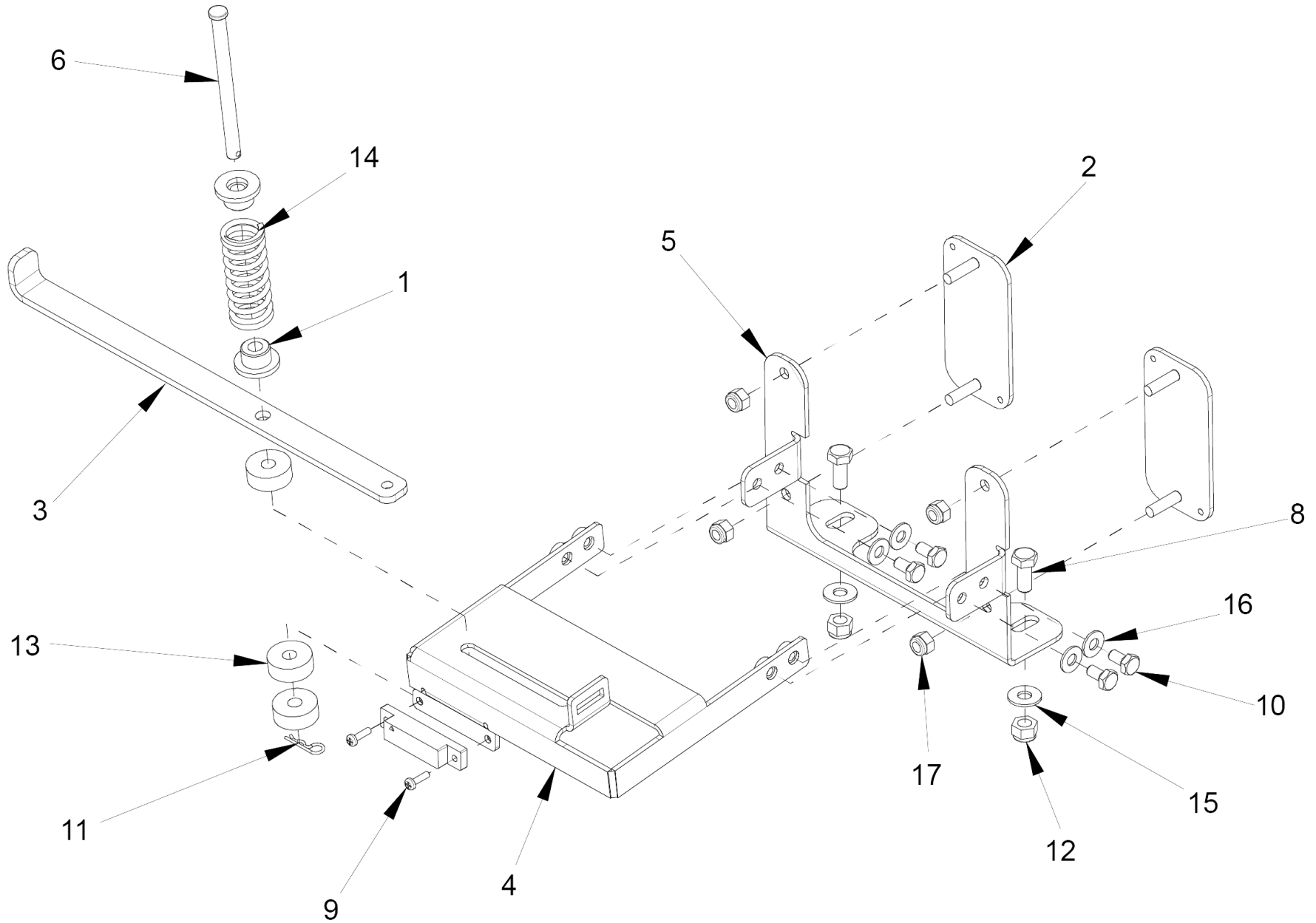


63 Pad disk complete D51 (4.762-534.0)

POS	Article no.	Description	Quantity	Unit
2	5.122-015.0	Centerlock	1	PC
3	5.033-002.0	Retainer brush SWS	1	PC
4	7.303-112.0	Screw 6x20 -10.9-R2R (In6Rd)	6	PC
5	7.303-096.0	Screw 4x22-ST-10.9-R2R (IN6RD)	3	PC

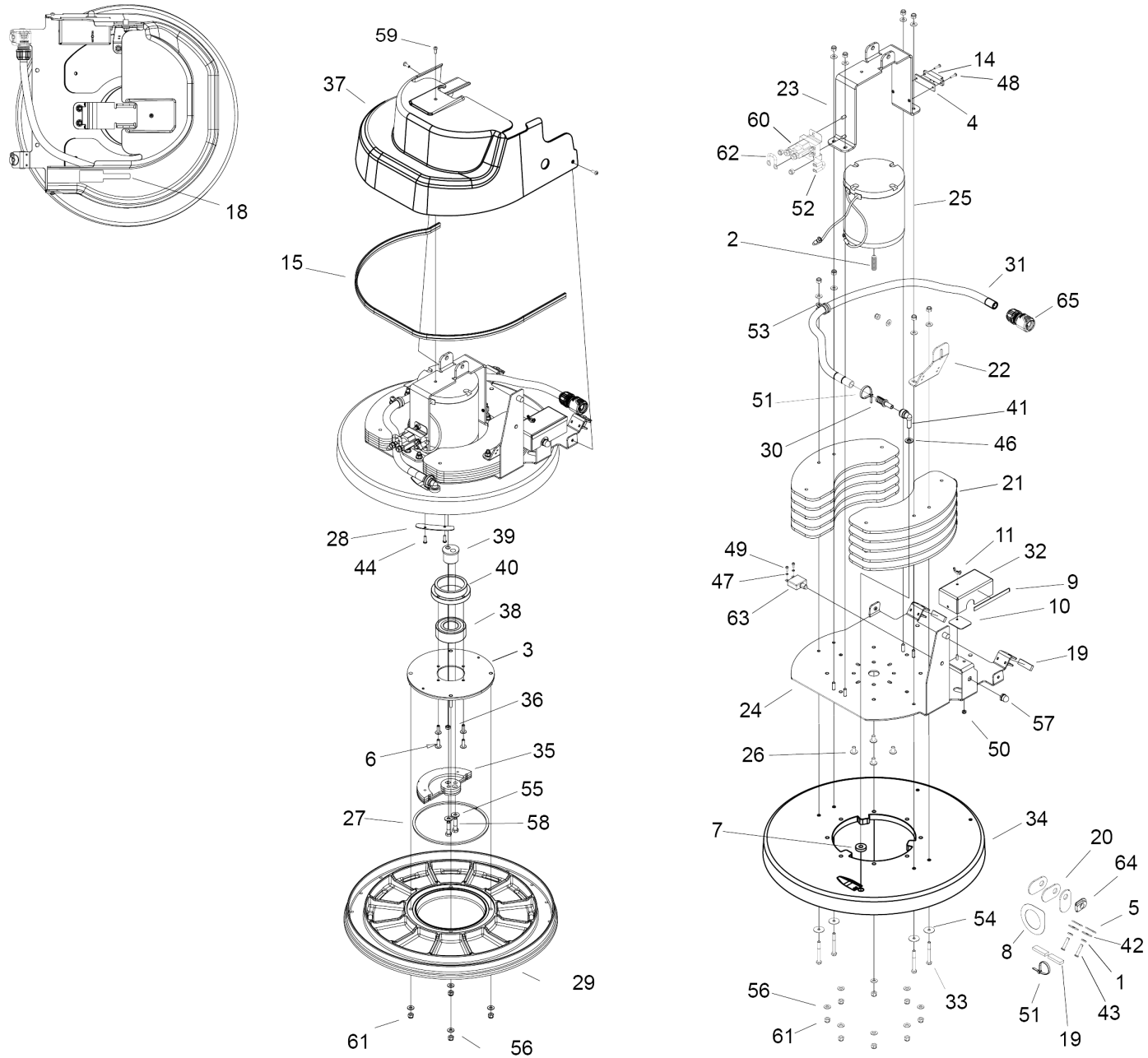
1160 Brush-head O 51 Orbital

POS	Article no.	Description	Quantity	Unit
10	8.638-800.0	ASM, DOWNFORCE OFFSET, D51 ORBITAL	1	PC
20	8.638-801.0	ASM, DECK, D51 ORBITAL, 20"	1	PC
30	2.639-258.0	Pad SPP 51 Set 2x	1	SET
30	6.369-078.0	Pad green	1	ZSA
30	6.369-079.0	Pad red	0,2	ZSA
30	6.369-079.0	Pad red	1	ZSA
30	6.371-271.0	Pad micro-fibre	1	ZSA



10 ASM, DOWNFORCE OFFSET, D51 ORBITAL (8.638-800.0)

POS	Article no.	Description	Quantity	Unit
1	8.641-683.0	WASHER, SPRING RETAINING	2	PC
2	8.641-681.0	Bracket	2	PC
3	8.641-275.0	Lever adjustment contact pressure	1	PC
4	8.641-274.0	Bracket adjustment contact pressure	1	PC
5	8.641-273.0	Bracket adjustment contact pressure	1	PC
6	8.632-634.0	PIN, CLEVIS 5/16 X 4 STL ZNPLT	1	PC
7	8.627-984.0	Bag plastics 4x6x2	1	PC
8	8.627-678.0	SCREW, 5/16-18 X .75 HHCS SS	2	PC
9	8.627-395.0	SCREW, 6-32 X .5 PHPNHMS SS	2	PC
10	8.627-383.0	SCREW, 1/4-20 X .5 HHCS SS NP	4	PC
11	8.627-239.0	PIN, COTTER HAIR .059 X 1L STL ZNPLT	1	PC
12	8.627-083.0	NUT, 5/16-18 HEX NYLOCK SS	2	PC
13	8.625-428.0	WASHER, .321 X 1 X .375 NYL BLK	3	PC
14	8.601-301.0	SPRING, COMP .97DX 2.5LX .12W	1	PC
15	8.601-067.0	WASHER, 5/16 FLT SS	2	PC
16	8.601-063.0	WASHER, 1/4 SS	4	PC
17	8.627-187.0	NUT, 1/4-20 HEXTHIN NYLOCK SS	4	PC



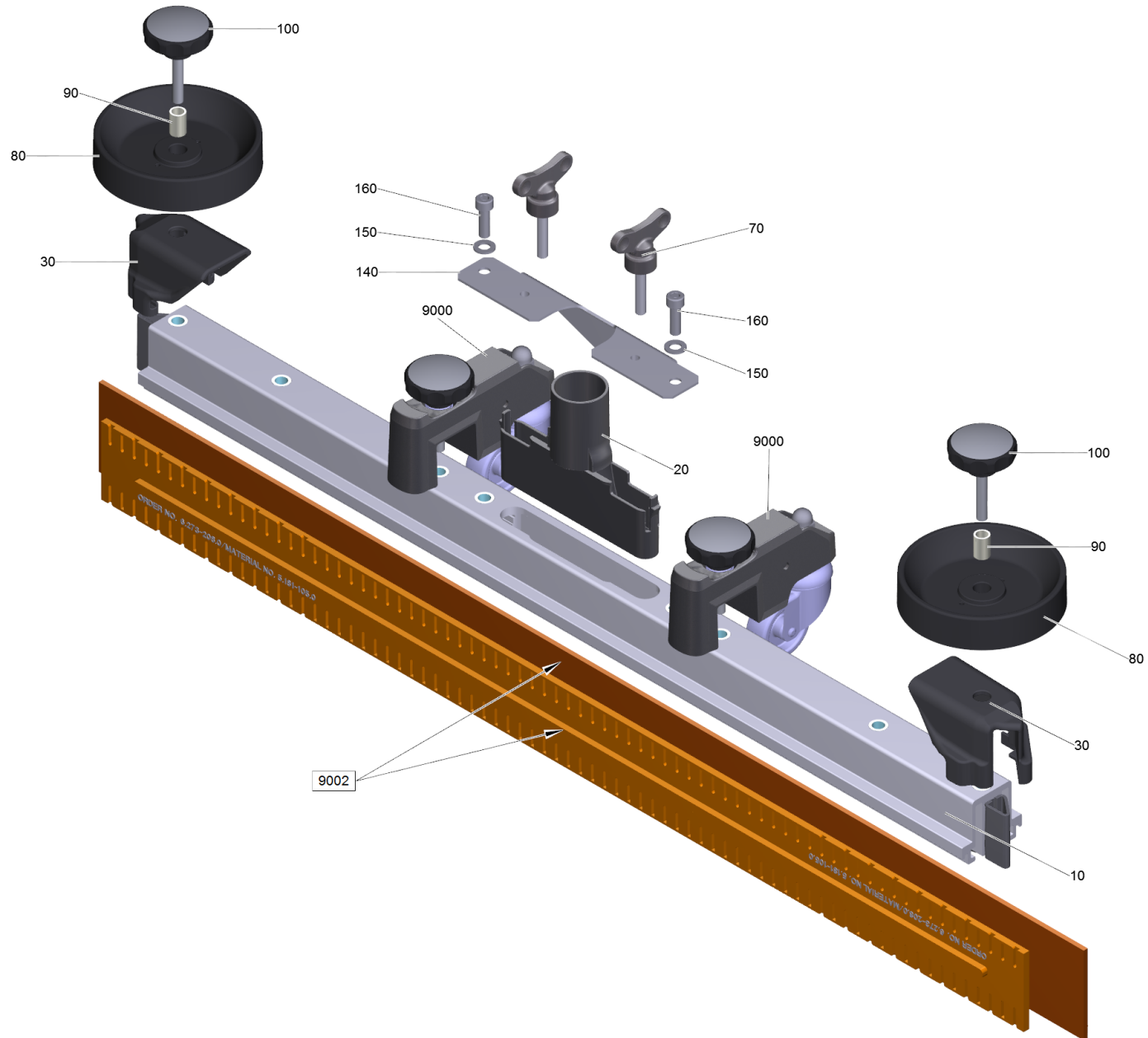
20 ASM, DECK, D51 ORBITAL, 20" (8.638-801.0)

POS	Article no.	Description	Quantity	Unit	Remark
1	8.643-618.0	Washer .257 ID X .5 OD Polyurethane	2	PC	
2	8.643-573.0	Screw 7/16-20 X 1.5 SLTDSET	1	PC	
3	8.642-913.0	Bracket pad Driver Mounting	1	PC	
4	8.642-888.0	Gasket reed switch	1	PC	
5	8.642-811.0	Pin cotter Hair .080 X 1.188L SS	2	PC	
6	8.642-785.0	Screw 1/4-28 X .75 FLGHBTNHMS SS	4	PC	
7	8.642-653.0	Seal PORON 1.0 OD X .38 ID X .25	1	PC	
8	8.642-571.0	Label water adjustment B40 Orbital	1	PC	
9	8.642-570.0	Foamed material strip 4.63X.38X.06	1	PC	
10	8.642-569.0	Seal cover battery plug	1	PC	
11	8.642-568.0	Wing nut 8-32 WING NYLOCK ZN ZNPLT	1	PC	
12	8.642-567.0	HARNES, DECK, D51 ORBITAL	1	PC	Not Shown
14	8.642-564.0	Switch reed contact	1	PC	
15	8.642-558.0	Seal 13/64" X 40.63"	1	PC	
18	8.642-548.0	LABEL, DECK, D51 ORBITAL	1	PC	
19	8.642-527.0	Foamed material strip 1.63X.50X.25	4	PC	
20	8.641-298.0	Washer vibration damper	3	PC	
21	8.641-296.0	Plate weight	10	PC	
22	8.641-295.0	Support plate	1	PC	
23	8.641-294.0	Bracket lifting brush-head	1	PC	
24	8.641-293.0	Bracket	1	PC	
25	8.640-424.0	Motor 24V .5HP 1750RPM	1	PC	
26	8.640-276.0	Screw 5/16-18 X 1/2 TTRHMS SS BLK ZNPLT	4	PC	
27	8.639-513.0	Seal 125 T X .18 W	1	PC	
28	8.639-511.0	Plate deflection	1	PC	
29	8.639-259.0	PAD DRIVER, ORBITAL, 20 INCH	1	PC	
30	8.639-073.0	Hose connection JG 3/8 STEM X 1/2HB	1	PC	
31	8.638-838.0	Hose 1/2IDX.09W CLR X 29"	1	PC	
32	8.638-835.0	Covering cap battery plug	1	PC	
33	8.638-832.0	Screw 1/4-20 X 2.25 HHCS SS	4	PC	
34	8.638-807.0	Covering cap 20"	1	PC	
35	8.638-802.0	Counterweight welded	1	PC	
36	8.638-796.0	Screw 7/16-20 X .219, HEXJAM	1	PC	

20 ASM, DECK, D51 ORBITAL, 20" (8.638-801.0)

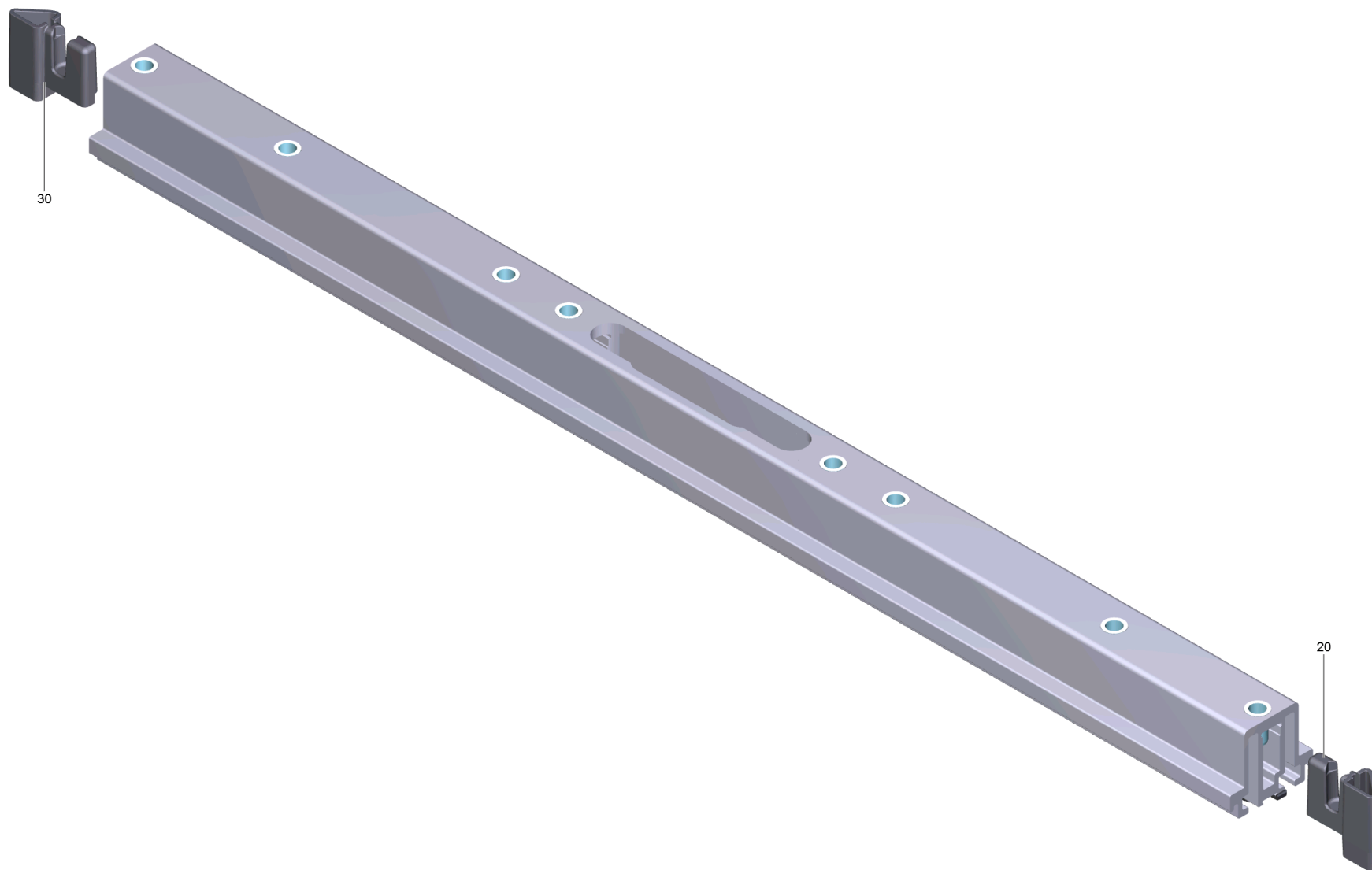
POS	Article no.	Description	Quantity	Unit	Remark
37	8.638-794.0	COVER, DECK, ORBITAL	1	PC	
38	8.638-674.0	Ball bearing 35 x 72 x 27 mm 2RSW	1	PC	
39	8.638-673.0	Eccentric 20"	1	PC	
40	8.638-672.0	Housing bearing	1	PC	
41	8.636-712.0	ELBOW, JG, 3/8 STEM X 3/8 TUBE	1	PC	
42	8.635-475.0	WASHER, .264 X 1 X .07 NYL BLK	2	PC	
43	8.635-391.0	PIN, CLEVIS 1/4 X 1.125 SS	2	PC	
44	7.303-104.0	Screw 5x16 -A2-70 (IN6RD)	2	PC	
45	8.627-984.0	Bag plastics 4x6x2	1	PC	
46	8.627-959.0	Washer 3/8 SEG STL GALV	1	PC	
47	7.777-999.0	Stockpiling discontinued	2	PC	
48	8.627-422.0	SCREW, 6-32 X .625 PHPNHMS SS	2	PC	
49	8.627-399.0	SCREW, 6-32 X .375 PHPNHMS SS	2	PC	
50	8.627-202.0	NUT, 8-32 HEXTHIN NYLOCK SS	1	PC	
51	8.626-573.0	TIE,CABL 8"WHT	2	PC	
52	8.626-121.0	DIODE ASM, 76008 X 76008	1	PC	
53	8.623-341.0	Clamp	1	PC	
54	8.601-081.0	WASHER, 1/4 FNDR SS	4	PC	
55	8.601-067.0	WASHER, 5/16 FLT SS	2	PC	
56	8.601-063.0	WASHER, 1/4 SS	23	PC	
57	8.600-890.0	Protecting cap motor protecting switch	1	PC	
58	8.600-702.0	SCREW, 5/16-18 X 1.25 HHCS SS NP	2	PC	
59	8.600-659.0	SCREW, 10-32 X .5 PHPNHMS SS NP	3	PC	
60	8.600-636.0	Relay solenoid valve 24 V DC	1	PC	
61	8.627-187.0	NUT, 1/4-20 HEXTHIN NYLOCK SS	25	PC	
62	8.600-341.0	Diode ASM, 76075 X 76075	1	PC	
63	8.600-192.0	BREAKER, 25A 50VDC CIRCUIT	1	PC	
64	5.035-673.0	Sliding shoe	1	PC	
65	2.645-191.0	Hose coupling entry Universal	1	PC	

1200 Suction bar straight 850mm (4.777-406.0)



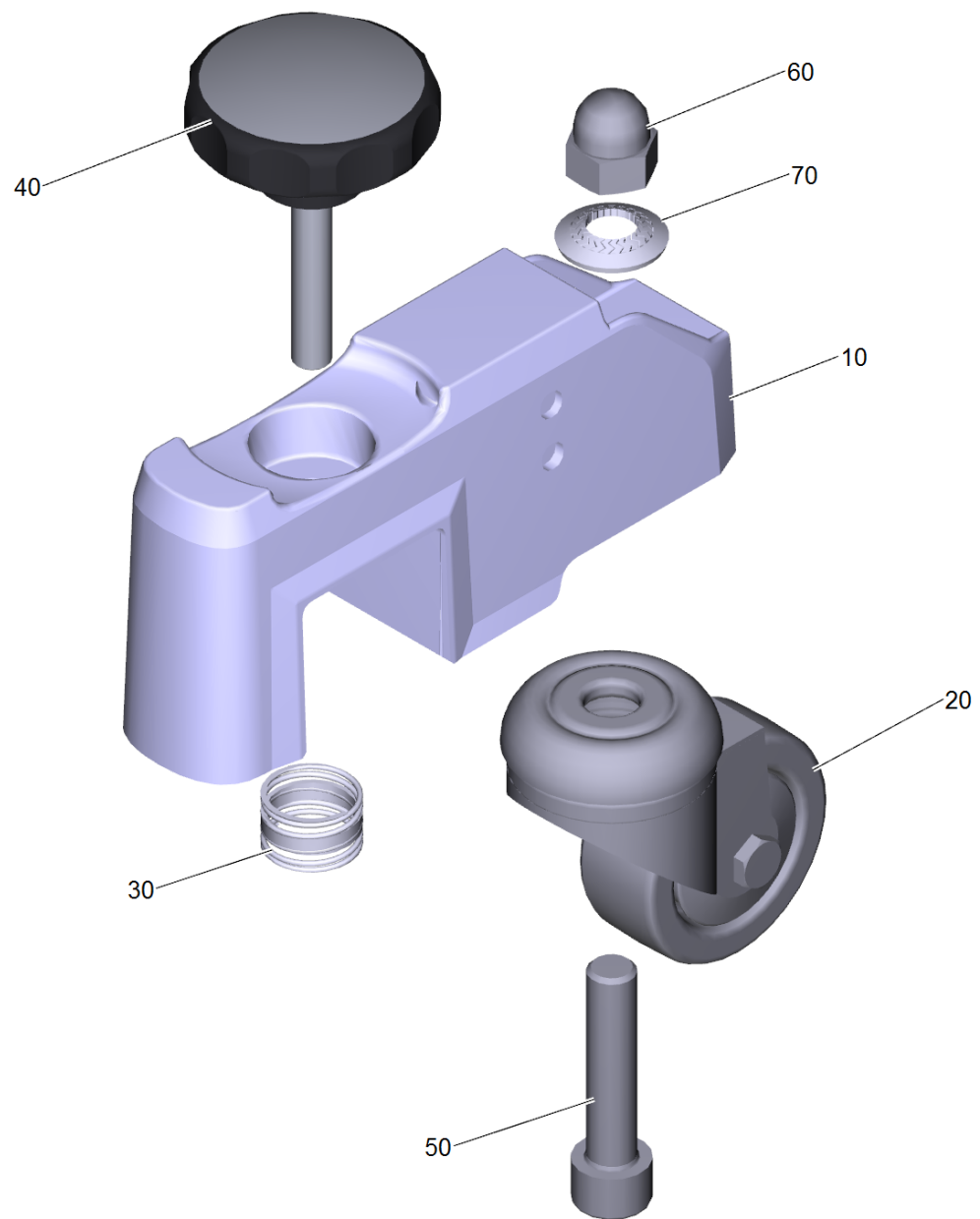
1200 Suction bar straight 850mm (4.777-406.0)

POS	Article no.	Description	Quantity	Unit	Foot note text
10	4.035-301.0	Suction bar pre-assembled straight 850mm	1	PC	
20	5.033-601.0	Suction nipple	1	PC	
30	2.885-294.0	End piece left / right spare parts set	1	PC	
70	5.305-008.0	Wing screw M8x30 VA	2	PC	
80	5.515-346.0	Deflector roll suction bar D120	2	PC	
90	5.094-231.0	Sleeve suction bar in VA	2	PC	
100	6.321-239.0	Star grip VA Ø50x43	2	PC	
140	5.100-559.0	Suction bar support plate	1	PC	
150	7.312-017.0	Washer 8-A2 ISO 7089	1	PC	
160	7.306-142.0	Cylinder head screw M 8x25-A4-70 ISO 47	1	PC	
9000	4.035-281.0	Conversion kit support roller deep	2	PC	ORDER QTY. 2
9002	6.273-207.0	Rubber lip set oil resistant BR-BD530,55	1	ZSA	
9002	6.273-213.0	Rubber lip set standard	1	ZSA	
9002	6.273-229.0	Rubber lip set anti stripe oil resistant	1	PC	
9002	6.273-290.0	BLADES FOR TEXTURED FLOORS	1	PC	
9500	4.035-619.0	Set deflector roll stack formation SB	2	PC	



10 Suction bar pre-assembled straight 850mm (4.035-301.0)

POS	Article no.	Description	Quantity	Unit
20	5.033-578.0	End piece inside left	1	PC
30	5.033-579.0	End piece inside right	1	PC

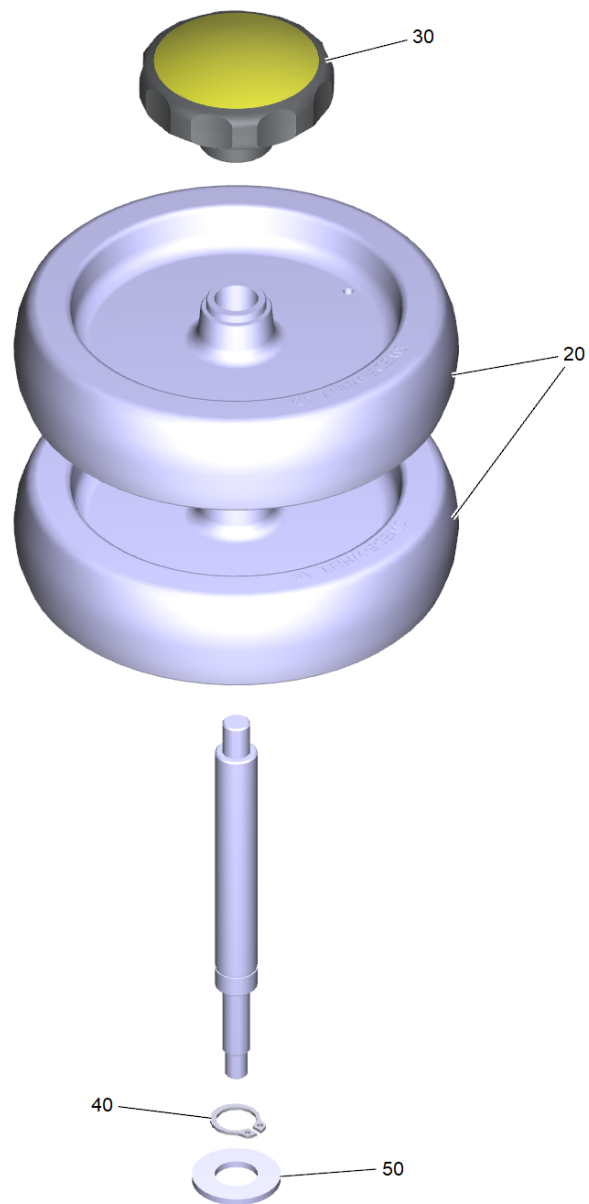


9000 Conversion kit support roller deep (4.035-281.0)

POS	Article no.	Description	Quantity	Unit
10	5.101-626.0	Housing with additional weight	1	PC
20	6.435-179.0	Castor for thread deflector	1	PC
30	5.332-554.0	Pressure spring	1	PC
40	6.321-240.0	Star grip with inscription VA Ø50x43	1	PC
50	7.306-068.0	Cylinder head screw M10x45-8.8-A2K DIN 912	1	PC
60	7.311-382.0	Cap nut M10-6-A3E DIN 1587	1	PC
70	6.996-526.0	Serrated locking washer d.10	1	PC

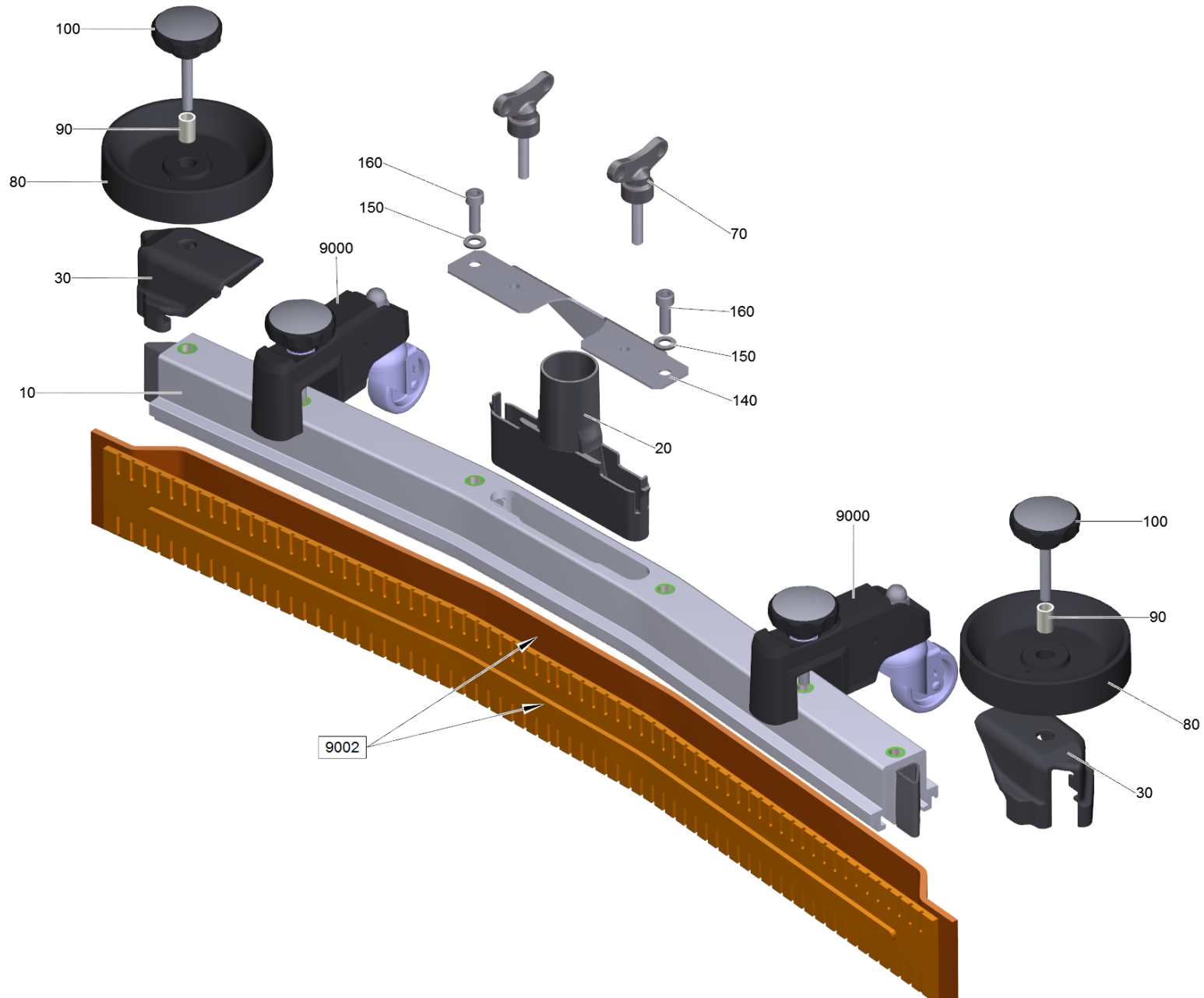
9002 BLADES FOR TEXTURED FLOORS (6.273-290.0)

POS	Article no.	Description	Quantity	Unit
20	6.273-229.0	Rubber lip set anti stripe oil resistant	1	PC



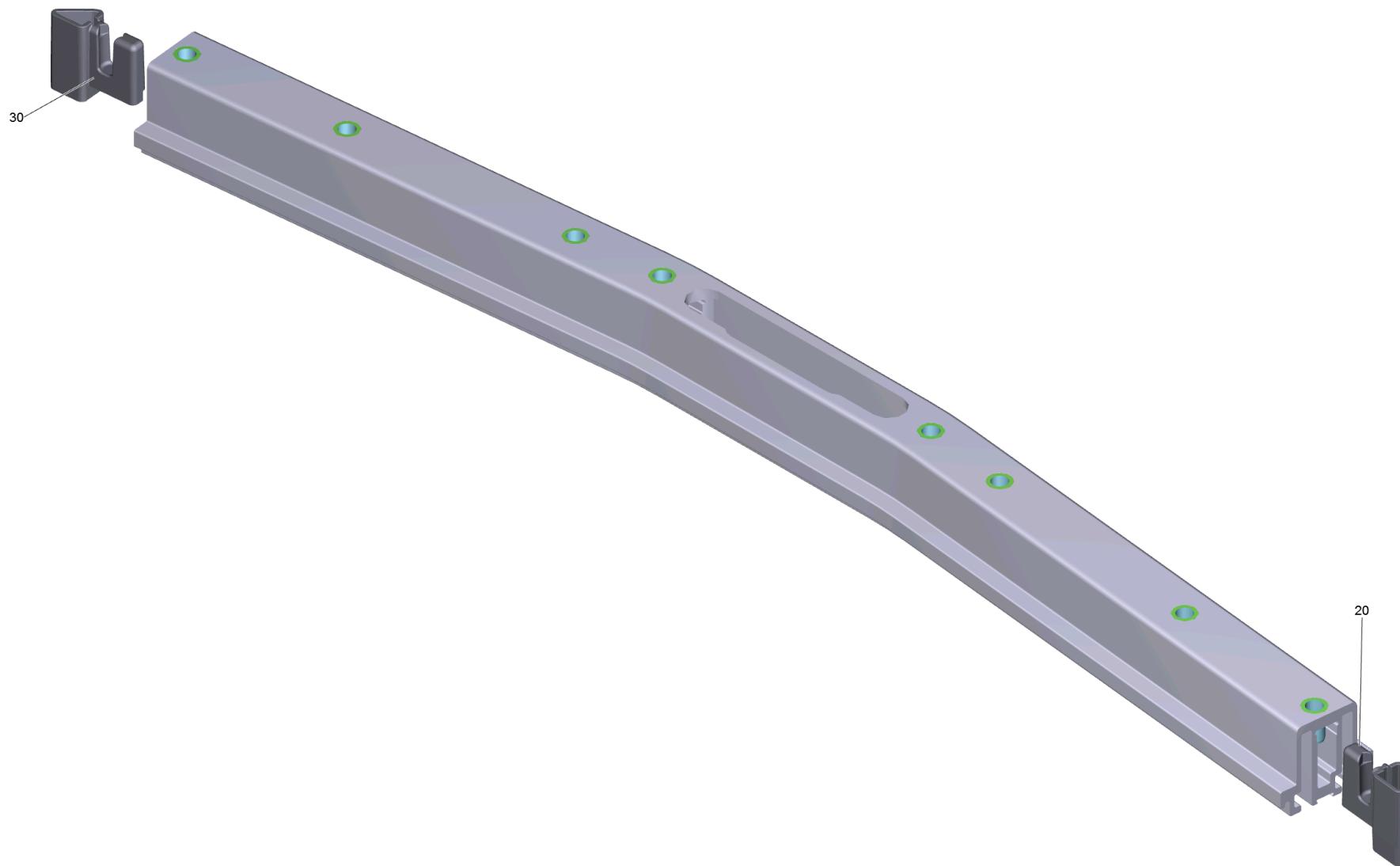
9500 Set deflector roll stack formation SB (4.035-619.0)

POS	Article no.	Description	Quantity	Unit
20	5.515-346.0	Deflector roll suction bar D120	2	PC
30	6.321-224.0	Turning knob grey D55mm	1	PC
40	7.343-083.0	Locking ring 12x1 -FSt DIN 471	1	PC
50	5.115-628.0	Washer	1	PC



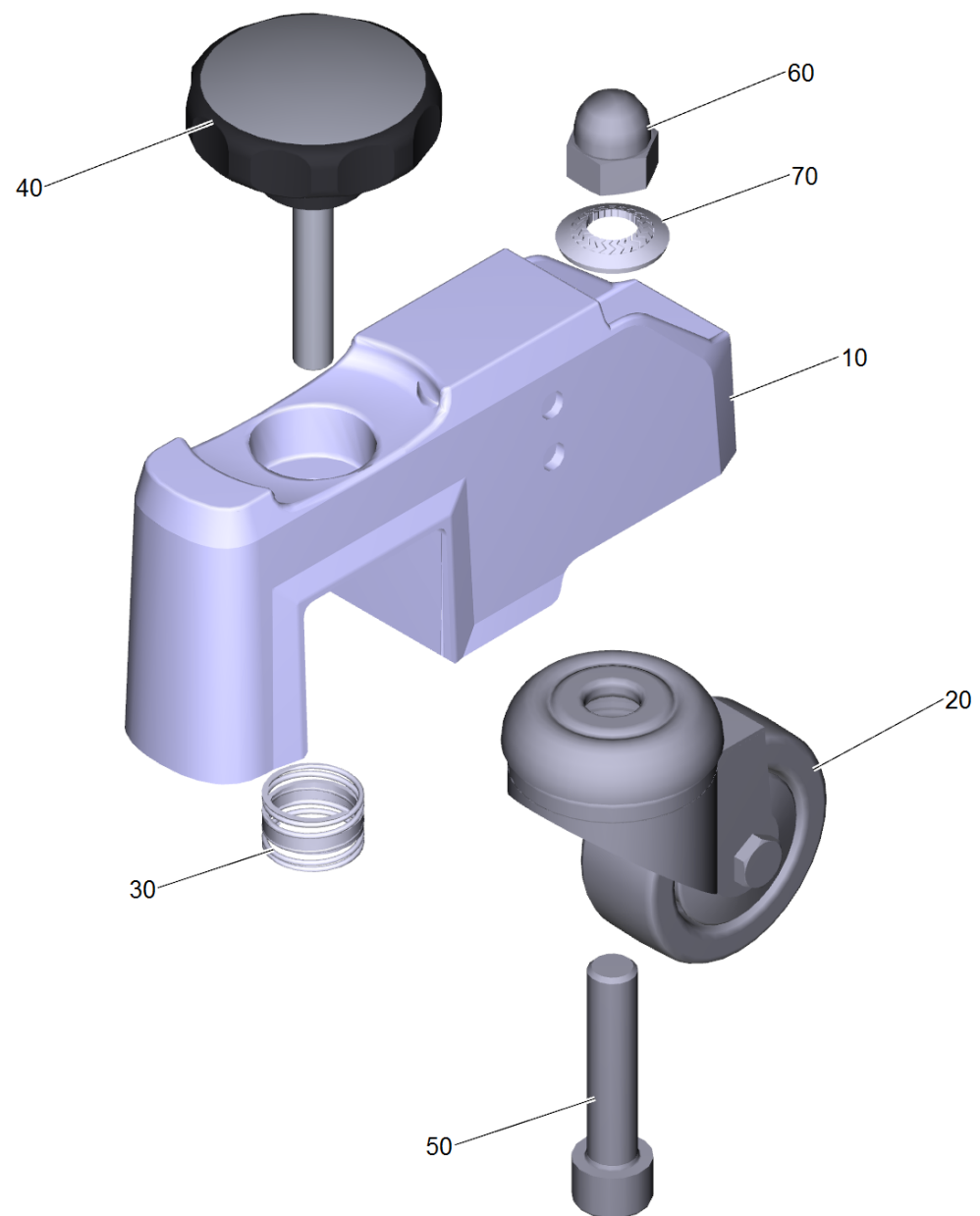
1210 Suction bar curved 850mm (4.777-416.0)

POS	Article no.	Description	Quantity	Unit	Foot note text
10	4.035-311.0	Suction bar pre-assembled curved 850mm	1	PC	
20	5.033-601.0	Suction nipple	1	PC	
30	2.885-294.0	End piece left / right spare parts set	1	PC	
70	5.305-008.0	Wing screw M8x30 VA	2	PC	
80	5.515-267.0	Deflector roll	2	PC	
90	5.094-231.0	Sleeve suction bar in VA	2	PC	
100	6.321-239.0	Star grip VA Ø50x43	2	PC	
130	5.007-217.0	Plate	1	PC	
140	5.100-559.0	Suction bar support plate	1	PC	
150	7.312-017.0	Washer 8-A2 ISO 7089	1	PC	
160	7.306-142.0	Cylinder head screw M 8x25-A4-70 ISO 47	1	PC	
9000	4.035-281.0	Conversion kit support roller deep	2	PC	ORDER QTY. 2
9002	6.273-207.0	Rubber lip set oil resistant BR-BD530,55	1	ZSA	OIL RESISTANT
9002	6.273-213.0	Rubber lip set standard	1	ZSA	STANDARD
9002	6.273-229.0	Rubber lip set anti stripe oil resistant	1	PC	ANTI-STRIP, OIL RESISTANT
9002	6.273-290.0	BLADES FOR TEXTURED FLOORS	1	PC	CLOSED, OIL RESISTANT



10 Suction bar pre-assembled curved 850mm (4.035-311.0)

POS	Article no.	Description	Quantity	Unit
20	5.033-578.0	End piece inside left	1	PC
30	5.033-579.0	End piece inside right	1	PC



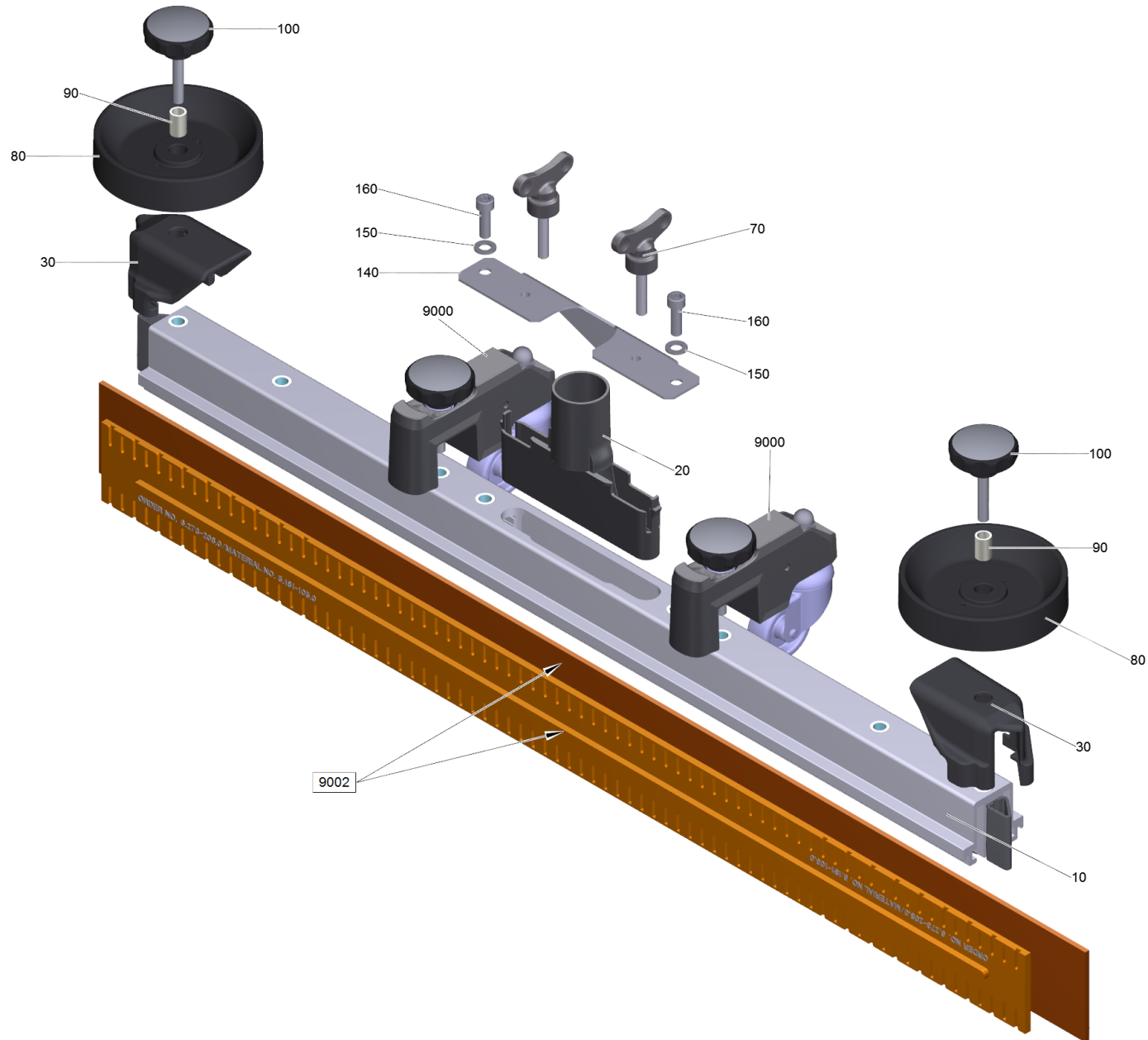
9000 Conversion kit support roller deep (4.035-281.0)

POS	Article no.	Description	Quantity	Unit
10	5.101-626.0	Housing with additional weight	1	PC
20	6.435-179.0	Castor for thread deflector	1	PC
30	5.332-554.0	Pressure spring	1	PC
40	6.321-240.0	Star grip with inscription VA Ø50x43	1	PC
50	7.306-068.0	Cylinder head screw M10x45-8.8-A2K DIN 912	1	PC
60	7.311-382.0	Cap nut M10-6-A3E DIN 1587	1	PC
70	6.996-526.0	Serrated locking washer d.10	1	PC

9002 BLADES FOR TEXTURED FLOORS (6.273-290.0)

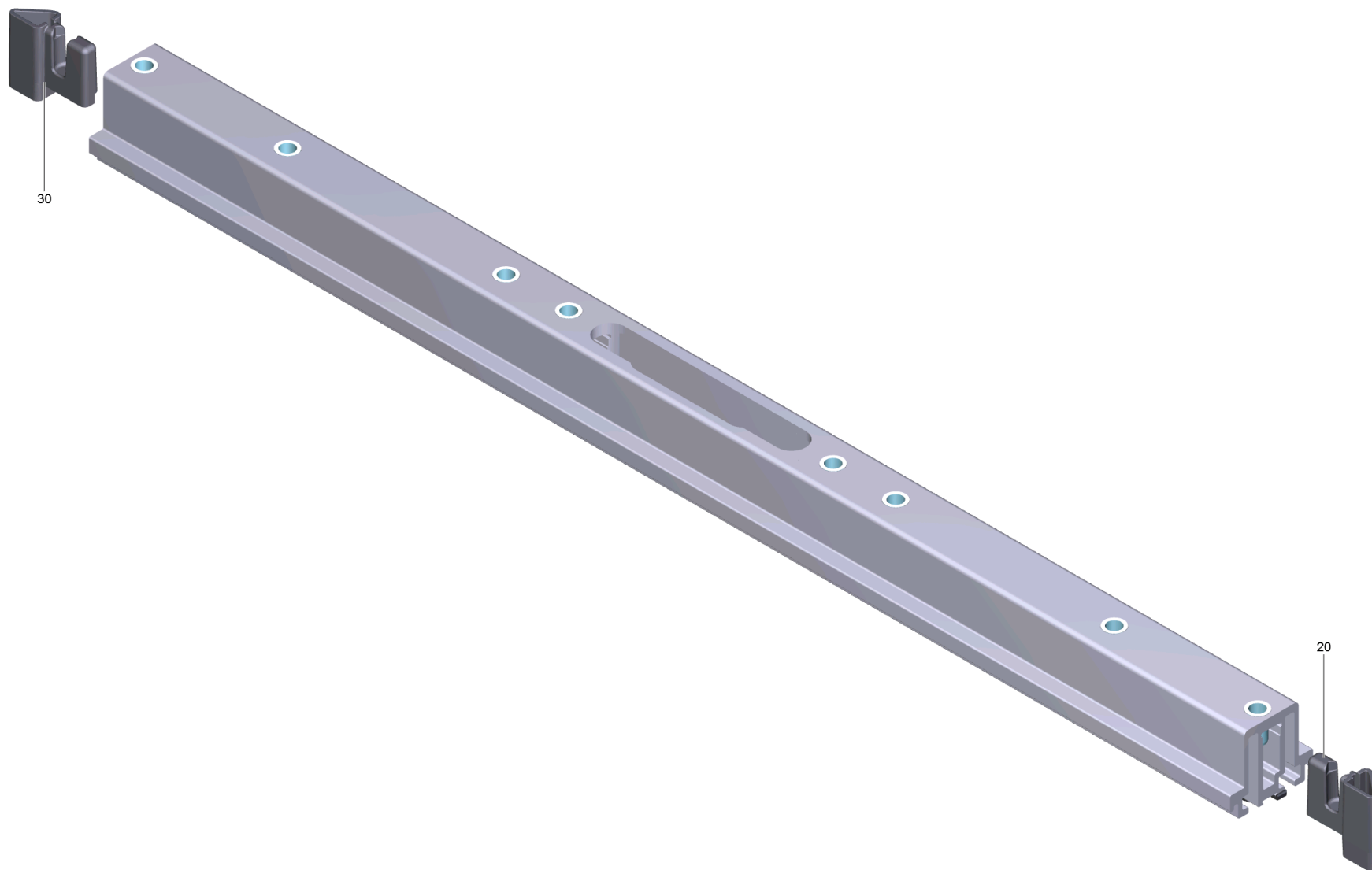
POS	Article no.	Description	Quantity	Unit
20	6.273-229.0	Rubber lip set anti stripe oil resistant	1	PC

1220 Suction bar straight 850mm (4.777-401.0)



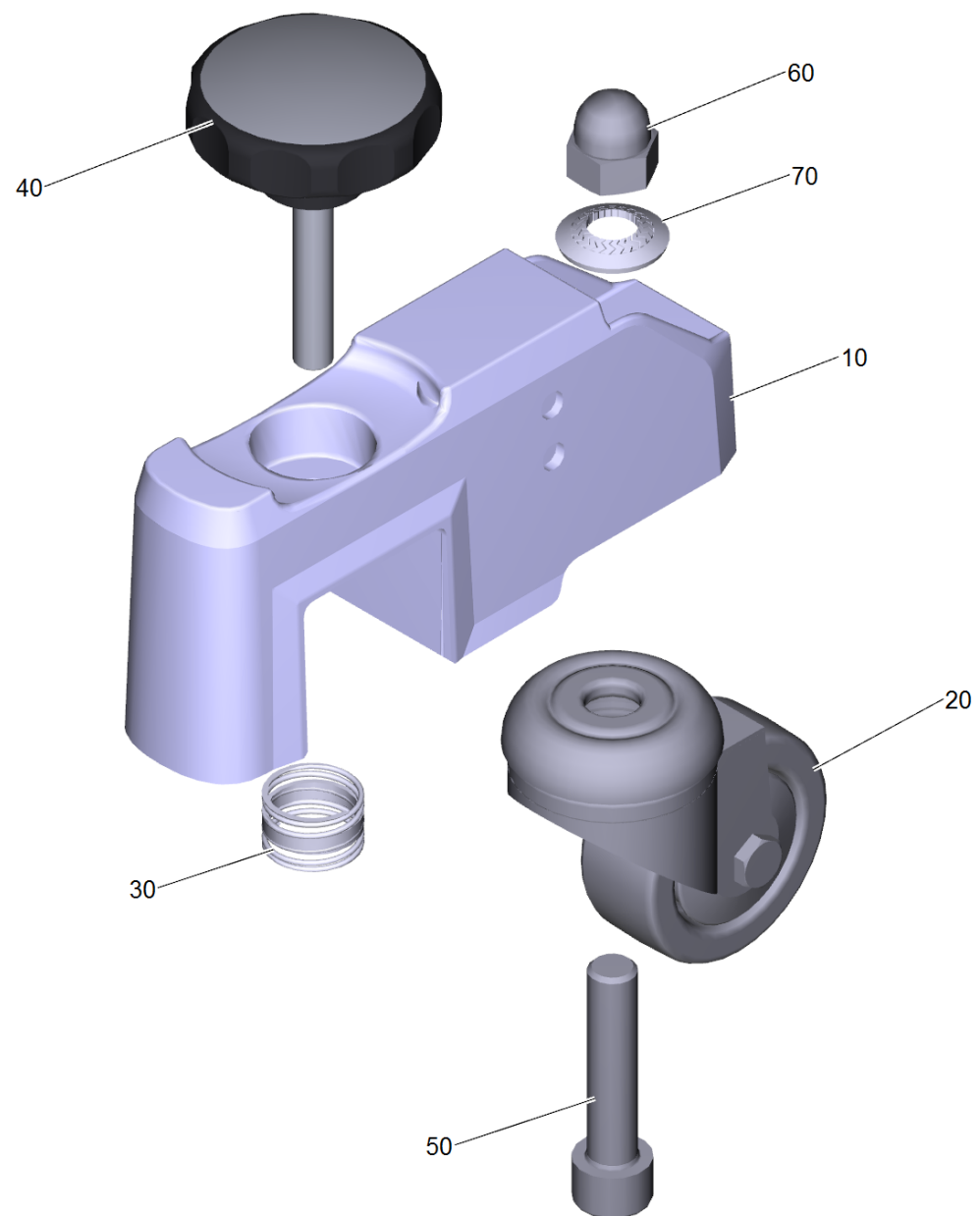
1220 Suction bar straight 850mm (4.777-401.0)

POS	Article no.	Description	Quantity	Unit	Remark	Foot note text
10	4.035-301.0	Suction bar pre-assembled straight 850mm	1	PC		
20	5.033-601.0	Suction nipple	1	PC		
30	2.885-294.0	End piece left / right spare parts set	1	PC		
70	5.305-008.0	Wing screw M8x30 VA	2	PC		
80	5.515-346.0	Deflector roll suction bar D120	2	PC		
90	5.094-231.0	Sleeve suction bar in VA	2	PC		
100	6.321-243.0	Star grip stainless steel D50x48	2	PC		
140	5.100-559.0	Suction bar support plate	1	PC		
150	7.312-017.0	Washer 8-A2 ISO 7089	2	PC		
160	7.306-142.0	Cylinder head screw M 8x25-A4-70 ISO 47	2	PC		
9000	4.035-281.0	Conversion kit support roller deep	2	PC	VERSION 2	ORDER QTY. 2
9000	4.035-339.0	Roller suction bar	2	PC	VERSION 1	
9002	6.273-207.0	Rubber lip set oil resistant BR-BD530,55	1	ZSA		
9002	6.273-213.0	Rubber lip set standard	1	ZSA		STANDARD
9002	6.273-229.0	Rubber lip set anti stripe oil resistant	1	PC		
9002	6.273-290.0	BLADES FOR TEXTURED FLOORS	1	PC		
9500	4.035-619.0	Set deflector roll stack formation SB	2	PC		



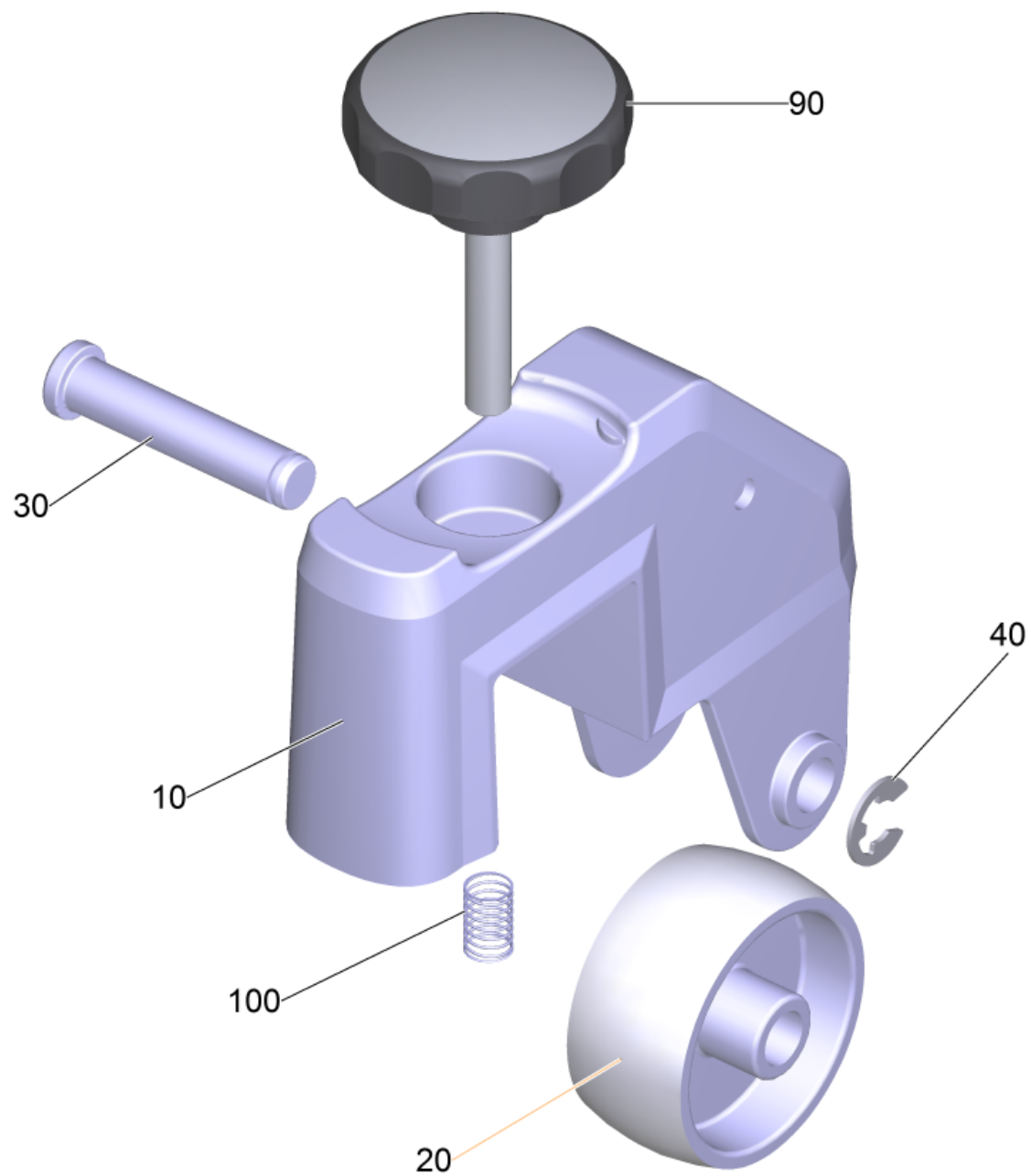
10 Suction bar pre-assembled straight 850mm (4.035-301.0)

POS	Article no.	Description	Quantity	Unit
20	5.033-578.0	End piece inside left	1	PC
30	5.033-579.0	End piece inside right	1	PC



9000 Conversion kit support roller deep (4.035-281.0)

POS	Article no.	Description	Quantity	Unit
10	5.101-626.0	Housing with additional weight	1	PC
20	6.435-179.0	Castor for thread deflector	1	PC
30	5.332-554.0	Pressure spring	1	PC
40	6.321-240.0	Star grip with inscription VA Ø50x43	1	PC
50	7.306-068.0	Cylinder head screw M10x45-8.8-A2K DIN 912	1	PC
60	7.311-382.0	Cap nut M10-6-A3E DIN 1587	1	PC
70	6.996-526.0	Serrated locking washer d.10	1	PC

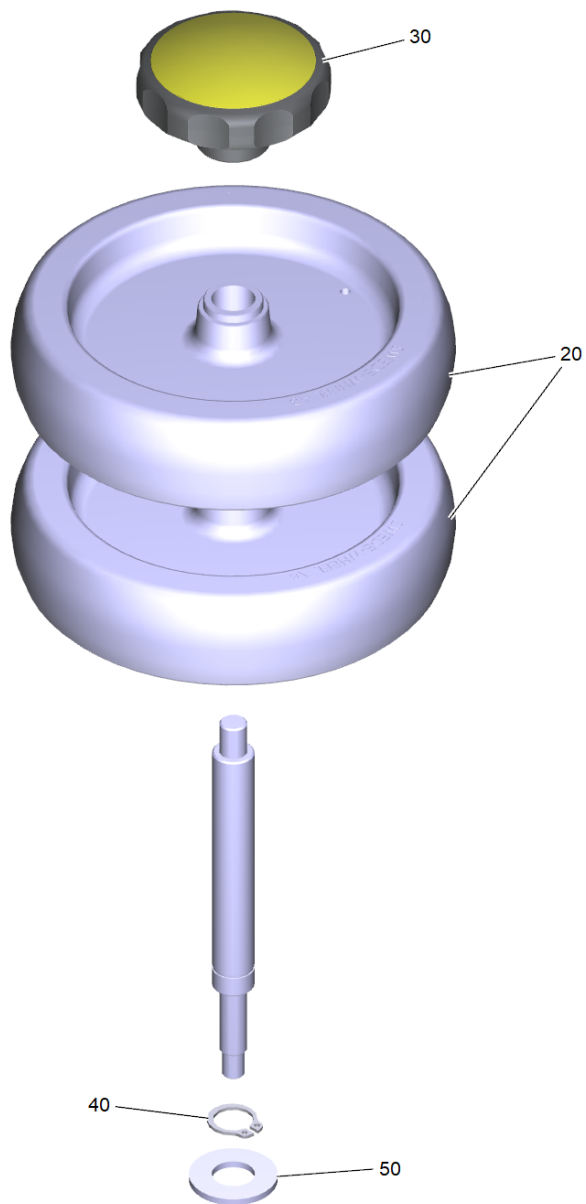


9000 Roller suction bar (4.035-339.0)

POS	Article no.	Description	Quantity	Unit
10	5.101-139.0	Roller holder weight	1	PC
20	6.435-401.0	Wheel D54	1	PC
30	5.317-781.0	Bolt roller	1	PC
40	7.343-303.0	Locking ring 8-A2 DIN 6799	1	PC
90	6.321-240.0	Star grip with inscription VA Ø50x43	1	PC
100	5.332-504.0	Pressure spring	1	PC

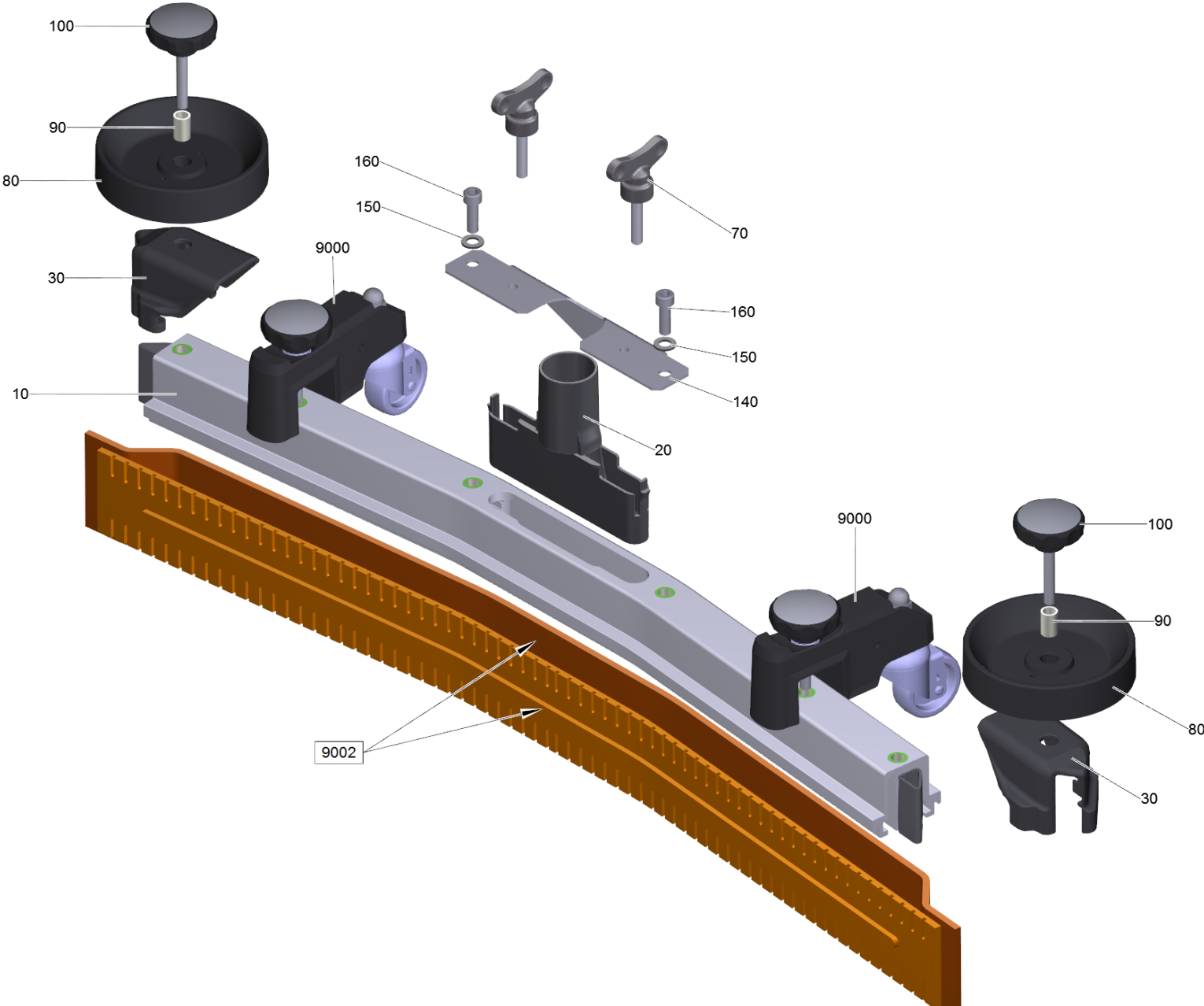
9002 BLADES FOR TEXTURED FLOORS (6.273-290.0)

POS	Article no.	Description	Quantity	Unit
20	6.273-229.0	Rubber lip set anti stripe oil resistant	1	PC



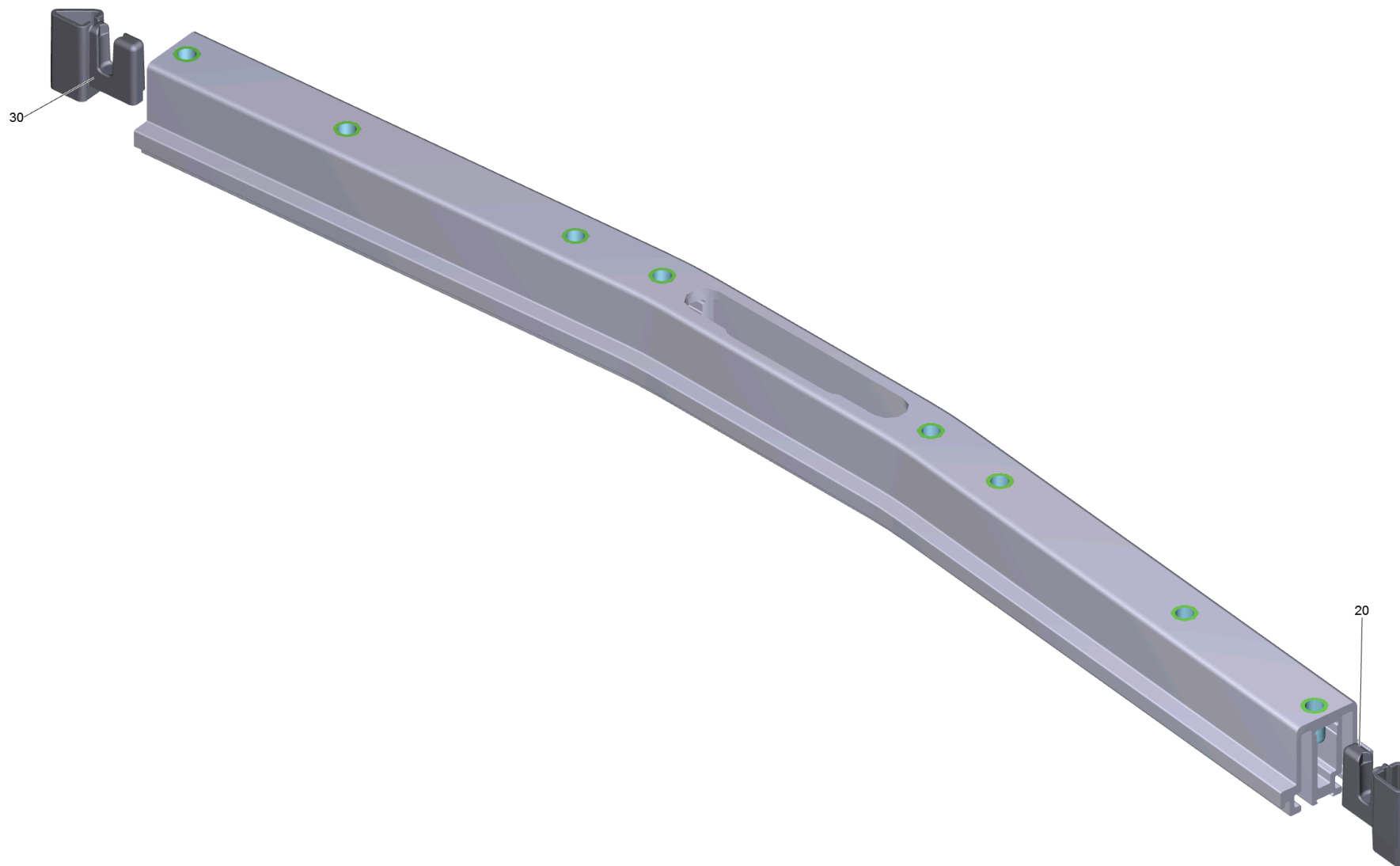
9500 Set deflector roll stack formation SB (4.035-619.0)

POS	Article no.	Description	Quantity	Unit
20	5.515-346.0	Deflector roll suction bar D120	2	PC
30	6.321-224.0	Turning knob grey D55mm	1	PC
40	7.343-083.0	Locking ring 12x1 -FSt DIN 471	1	PC
50	5.115-628.0	Washer	1	PC



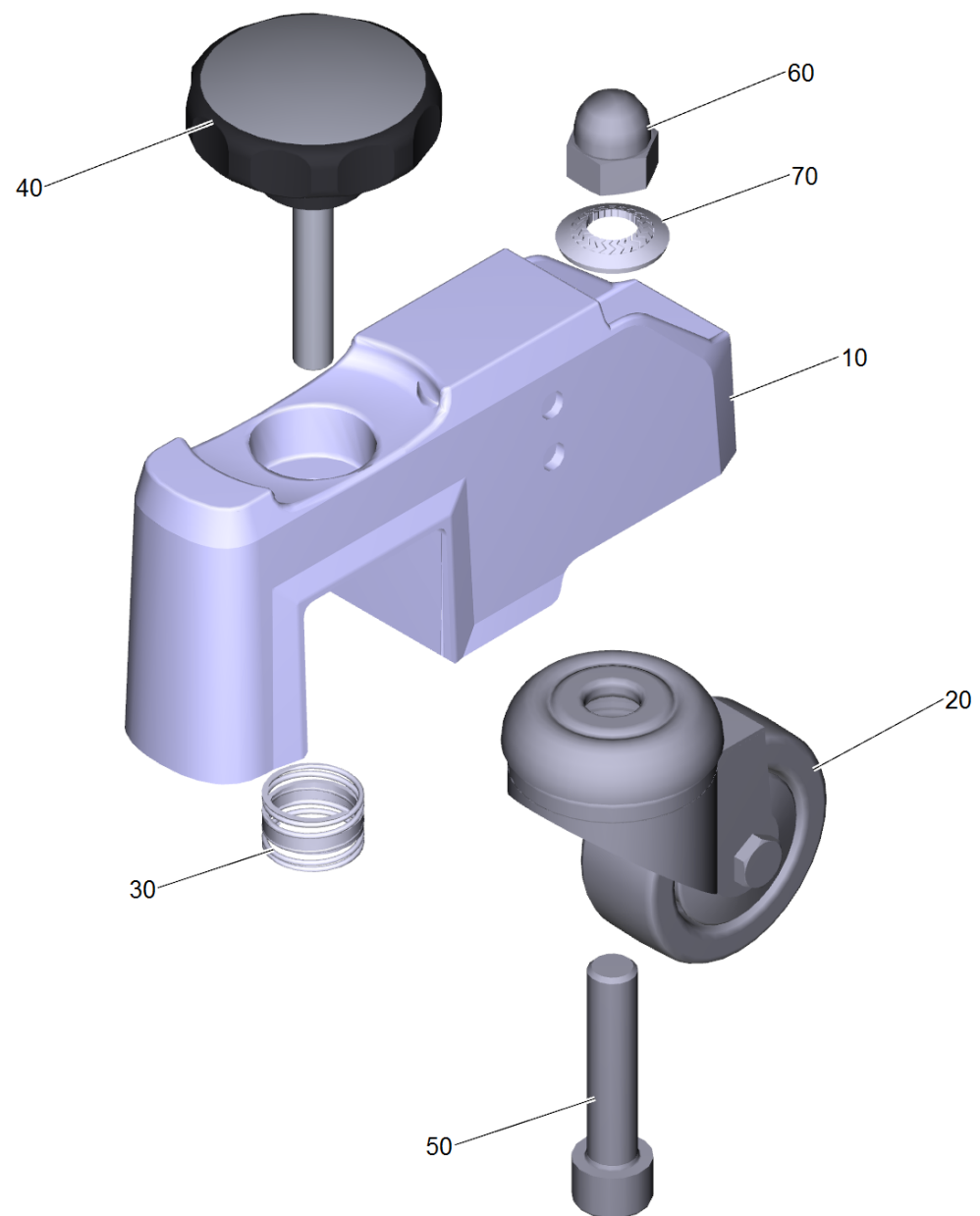
1230 Suction bar curved 850mm (4.777-411.0)

POS	Article no.	Description	Quantity	Unit	Remark	Foot note text
10	4.035-311.0	Suction bar pre-assembled curved 850mm	1	PC		
20	5.033-601.0	Suction nipple	1	PC		
30	2.885-294.0	End piece left / right spare parts set	1	PC		
70	5.305-008.0	Wing screw M8x30 VA	2	PC		
80	5.515-346.0	Deflector roll suction bar D120	2	PC		
90	5.094-231.0	Sleeve suction bar in VA	2	PC		
100	6.321-243.0	Star grip stainless steel D50x48	2	PC		
140	5.100-559.0	Suction bar support plate	1	PC		
150	7.312-017.0	Washer 8-A2 ISO 7089	2	PC		
160	7.306-142.0	Cylinder head screw M 8x25-A4-70 ISO 47	2	PC		
9000	4.035-281.0	Conversion kit support roller deep	2	PC	VERSION 2	ORDER QTY. 2
9000	4.035-339.0	Roller suction bar	2	PC	VERSION 1	
9002	6.273-207.0	Rubber lip set oil resistant BR-BD530,55	1	ZSA		
9002	6.273-213.0	Rubber lip set standard	1	ZSA		STANDARD
9002	6.273-229.0	Rubber lip set anti stripe oil resistant	1	PC		
9002	6.273-290.0	BLADES FOR TEXTURED FLOORS	1	PC		



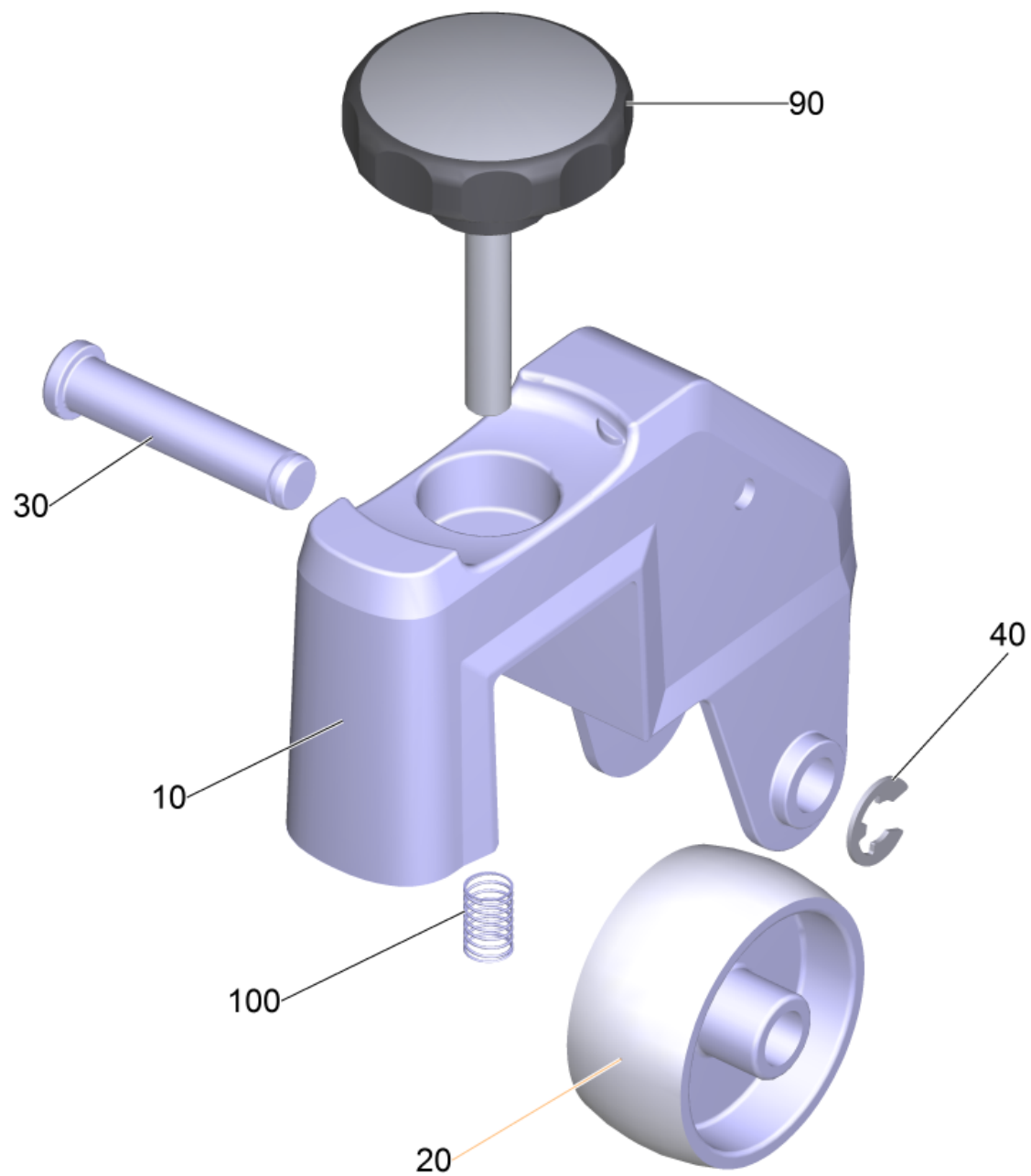
10 Suction bar pre-assembled curved 850mm (4.035-311.0)

POS	Article no.	Description	Quantity	Unit
20	5.033-578.0	End piece inside left	1	PC
30	5.033-579.0	End piece inside right	1	PC



9000 Conversion kit support roller deep (4.035-281.0)

POS	Article no.	Description	Quantity	Unit
10	5.101-626.0	Housing with additional weight	1	PC
20	6.435-179.0	Castor for thread deflector	1	PC
30	5.332-554.0	Pressure spring	1	PC
40	6.321-240.0	Star grip with inscription VA Ø50x43	1	PC
50	7.306-068.0	Cylinder head screw M10x45-8.8-A2K DIN 912	1	PC
60	7.311-382.0	Cap nut M10-6-A3E DIN 1587	1	PC
70	6.996-526.0	Serrated locking washer d.10	1	PC



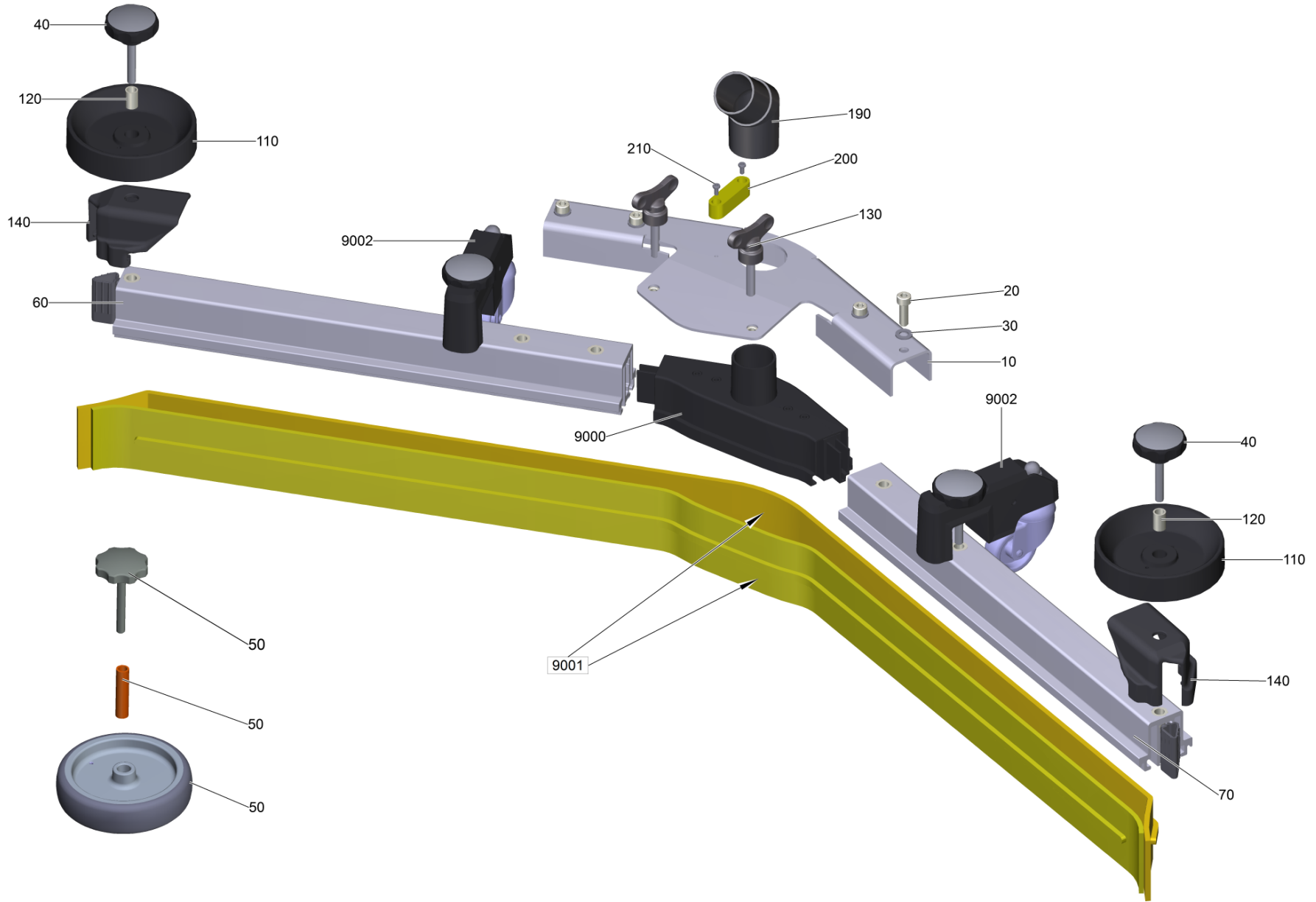
9000 Roller suction bar (4.035-339.0)

POS	Article no.	Description	Quantity	Unit
10	5.101-139.0	Roller holder weight	1	PC
20	6.435-401.0	Wheel D54	1	PC
30	5.317-781.0	Bolt roller	1	PC
40	7.343-303.0	Locking ring 8-A2 DIN 6799	1	PC
90	6.321-240.0	Star grip with inscription VA Ø50x43	1	PC
100	5.332-504.0	Pressure spring	1	PC

9002 BLADES FOR TEXTURED FLOORS (6.273-290.0)

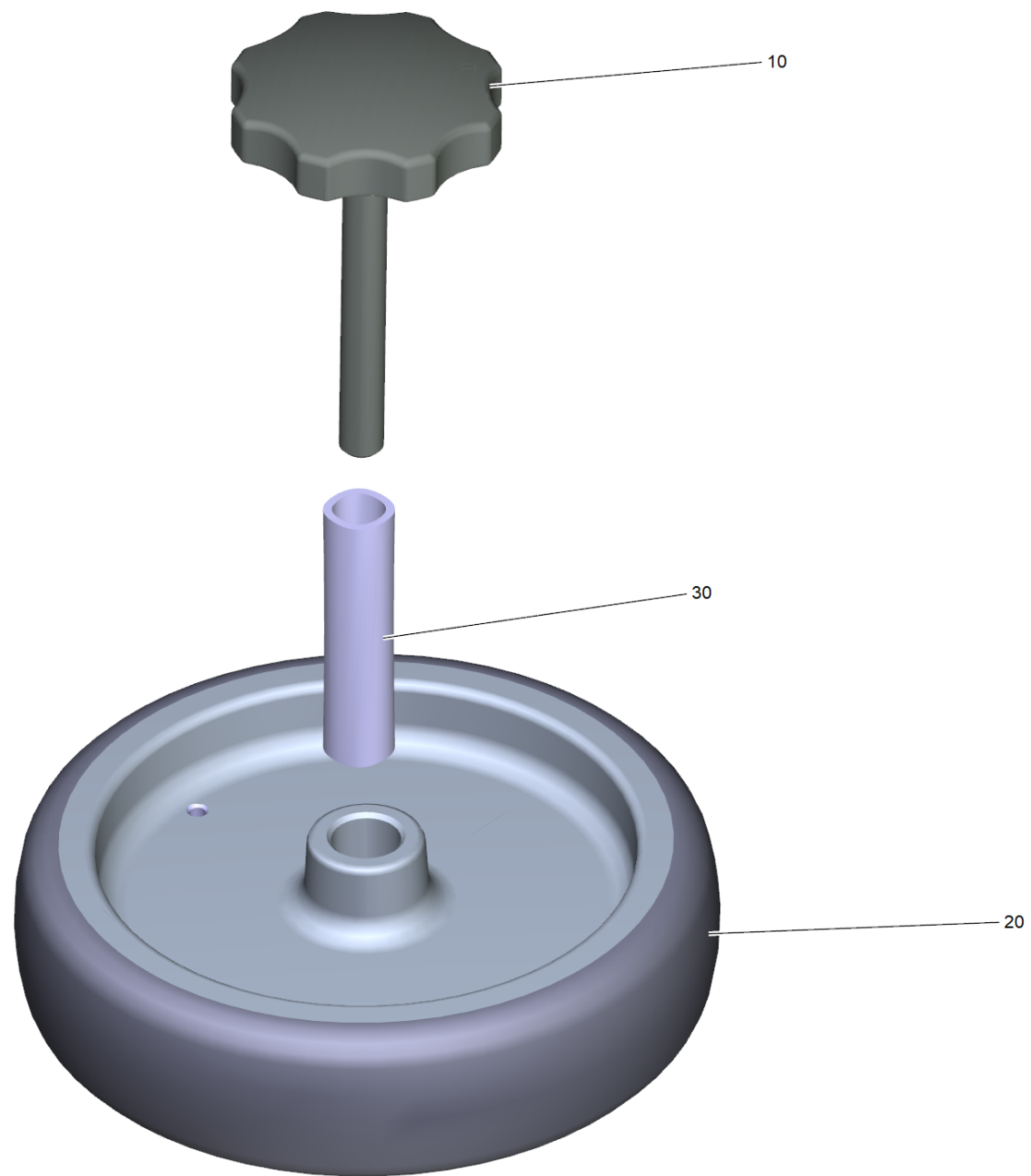
POS	Article no.	Description	Quantity	Unit
20	6.273-229.0	Rubber lip set anti stripe oil resistant	1	PC

1240 Suction bar v-shaped 900 mm (4.777-079.7)



1240 Suction bar v-shaped 900 mm (4.777-079.7)

POS	Article no.	Description	Quantity	Unit	Foot note text
10	4.044-003.0	Holder complete V-profile	1	PC	
20	7.306-142.0	Cylinder head screw M 8x25-A4-70 ISO 47	4	PC	
30	7.312-017.0	Washer 8-A2 ISO 7089	4	PC	
40	6.321-243.0	Star grip stainless steel D50x48	2	PC	VERSION 1
50	4.435-005.0	Deflector roll suction bar complete	1	PC	VERSION 2
60	4.035-162.0	Profile pre-assembled right AB 900 mm	1	PC	
70	4.035-163.0	Profile pre-assembled left AB 900 mm	1	PC	
110	5.515-346.0	Deflector roll suction bar D120	2	PC	VERSION 1
120	5.094-231.0	Sleeve suction bar in VA	2	PC	VERSION 1
130	5.305-008.0	Wing screw M8x30 VA	2	PC	
140	2.885-294.0	End piece left / right spare parts set	1	PC	
190	5.034-056.0	Angle adapter pipe	1	PC	
200	6.803-071.0	Level	1	PC	
210	7.305-019.0	Countersunk screw M4x16 -8.8-R2R (In6Rd	2	PC	
210	7.306-056.0	Screw M4x8 -8.8-R2R (In6Rd)	2	PC	
9000	4.034-007.0	Suction nipple complete	1	PC	
9001	6.273-023.0	Rubber lip set corrugated oil resistant	1	PC	
9002	4.035-171.0	Support roller complete replacement	2	PC	
9003	4.035-557.0	Support roller complete replacement	2	PC	
9500	4.035-619.0	Set deflector roll stack formation SB	2	PC	



50 Deflector roll suction bar complete (4.435-005.0)

POS	Article no.	Description	Quantity	Unit
10	6.321-170.0	Star grip M8X60 - VA	2	PC
20	6.435-342.0	Wheel gummed D124 Di12	2	PC
30	5.094-496.0	Sleeve suction bar VA	2	PC

60 Profile pre-assembled right AB 900 mm (4.035-162.0)

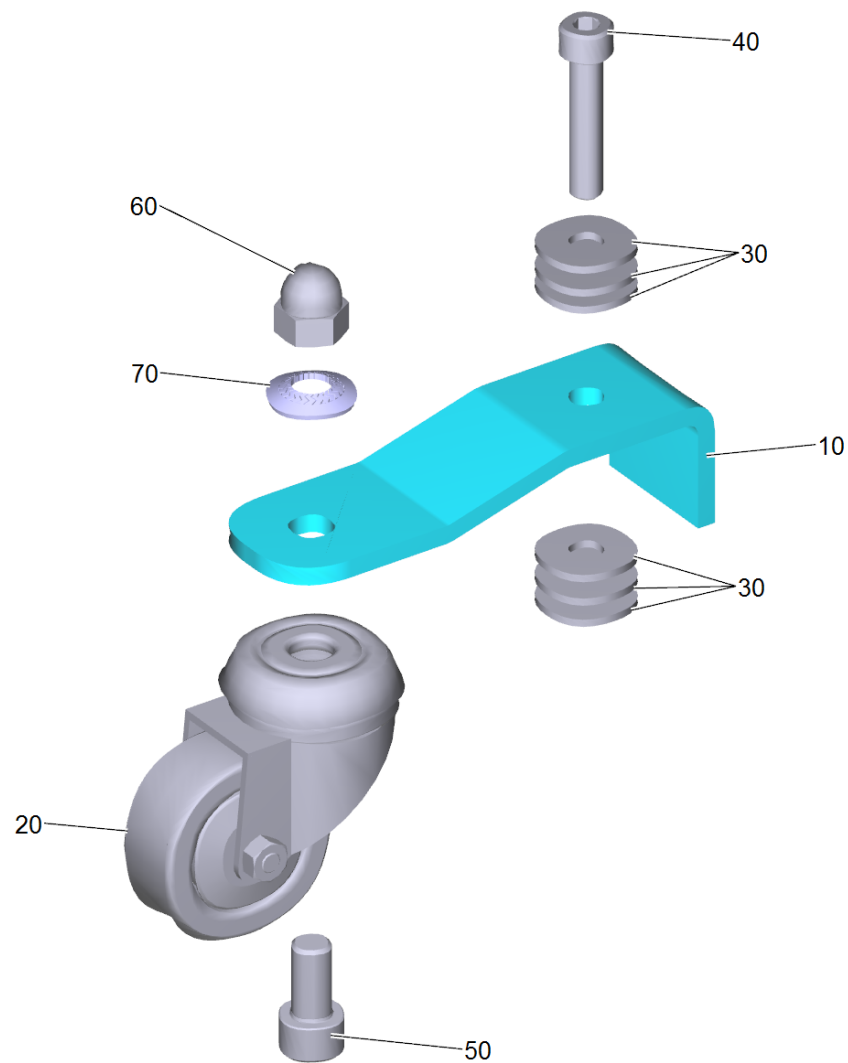
POS	Article no.	Description	Quantity	Unit
20	5.033-579.0	End piece inside right	1	PC

70 Profile pre-assembled left AB 900 mm (4.035-163.0)

POS	Article no.	Description	Quantity	Unit
20	5.033-578.0	End piece inside left	1	PC

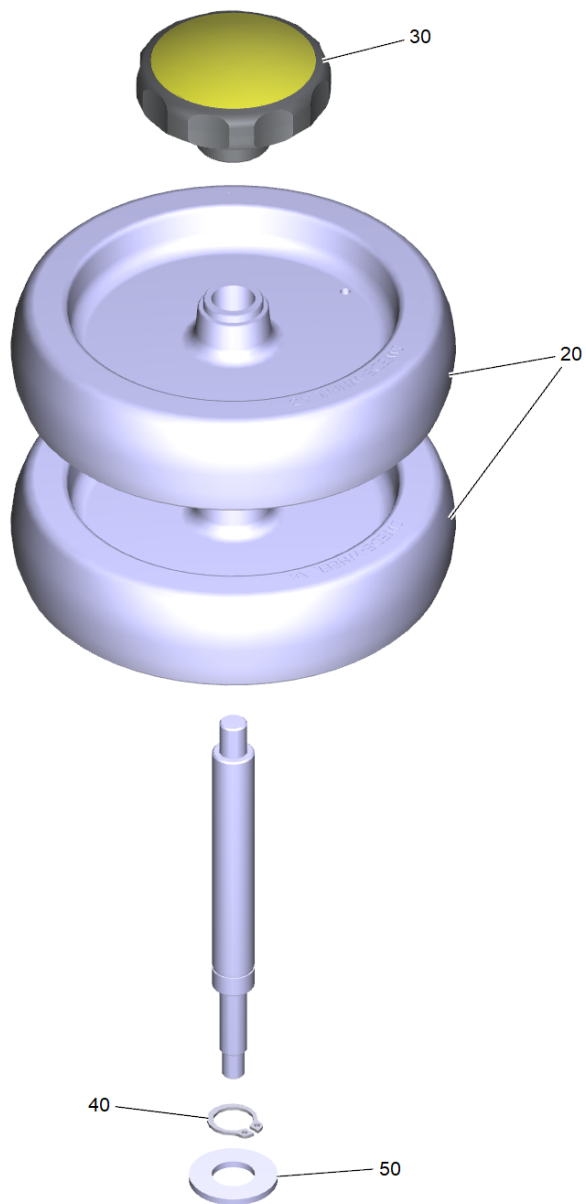
9002 Support roller complete replacement (4.035-171.0)

POS	Article no.	Description	Quantity	Unit
1	6.435-179.0	Castor for thread deflector	1	PC
2	5.332-554.0	Pressure spring	1	PC
3	6.321-240.0	Star grip with inscription VA Ø50x43	1	PC
4	7.306-074.0	Cylinder head screw M10x35-8.8-A3E ISO4	1	PC
5	7.311-382.0	Cap nut M10-6-A3E DIN 1587	1	PC
6	6.996-526.0	Serrated locking washer d.10	1	PC



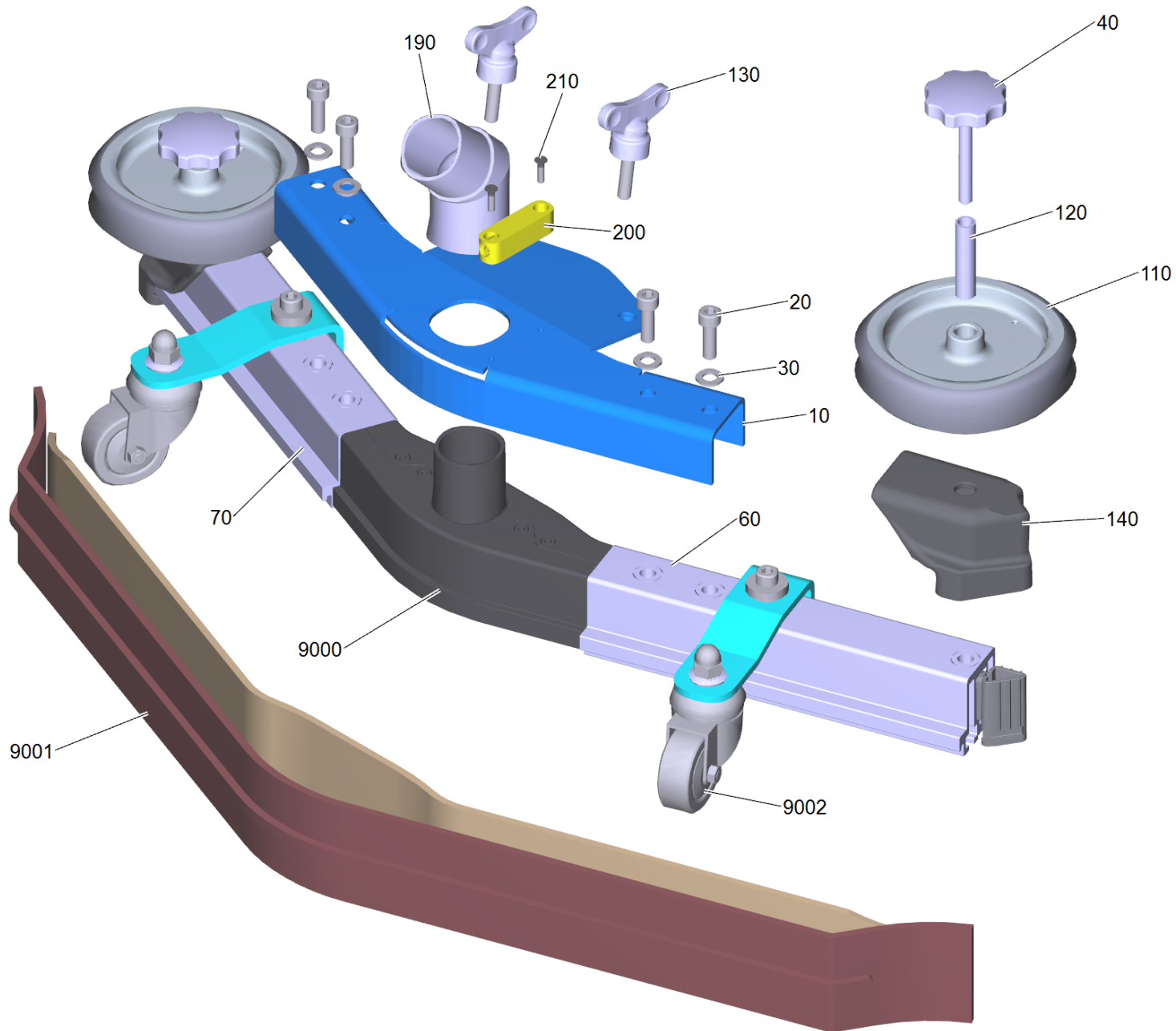
9003 Support roller complete replacement (4.035-557.0)

POS	Article no.	Description	Quantity	Unit
10	5.013-547.0	Retaining plate castor suction bar V-Typ	1	PC
20	6.435-179.0	Castor for thread deflector	1	PC
30	7.312-289.0	Washer 8 -A2 ISO 7093-1	6	PC
40	7.306-114.0	Cylinder head screw M 8x40-A2-70 ISO 47	1	PC
50	7.306-234.0	Cylinder head screw M10x20-A4-70 ISO 47	1	PC
60	7.311-382.0	Cap nut M10-6-A3E DIN 1587	1	PC
70	6.996-526.0	Serrated locking washer d.10	1	PC



9500 Set deflector roll stack formation SB (4.035-619.0)

POS	Article no.	Description	Quantity	Unit
20	5.515-346.0	Deflector roll suction bar D120	2	PC
30	6.321-224.0	Turning knob grey D55mm	1	PC
40	7.343-083.0	Locking ring 12x1 -FSt DIN 471	1	PC
50	5.115-628.0	Washer	1	PC



1250 Suction bar v-shaped 750mm (4.777-083.0)

POS	Article no.	Description	Quantity	Unit
10	4.044-126.0	Holder suction bar V-profile IBR	1	PC
20	7.306-142.0	Cylinder head screw M 8x25-A4-70 ISO 47	4	PC
30	7.312-017.0	Washer 8-A2 ISO 7089	4	PC
40	6.321-170.0	Star grip M8X60 - VA	2	PC
60		Profile pre-assembled right	1	PC
70		Profile pre-assembled left	1	PC
110	6.435-342.0	Wheel gummed D124 Di12	2	PC
120	5.094-496.0	Sleeve suction bar VA	2	PC
130	5.305-008.0	Wing screw M8x30 VA	2	PC
140	2.885-294.0	End piece left / right spare parts set	1	PC
190	5.034-056.0	Angle adapter pipe	1	PC
200	6.803-071.0	Level	1	PC
210	7.305-019.0	Countersunk screw M4x16 -8.8-R2R (In6Rd	2	PC
9000	4.034-007.0	Suction nipple complete	1	PC
9001	6.273-027.0	Rubber lip set corrugated oil resistant	1	PC
9002	4.035-171.0	Support roller complete replacement	2	PC
9003	4.035-557.0	Support roller complete replacement	2	PC
9500	4.035-619.0	Set deflector roll stack formation SB	2	PC

60 Profile pre-assembled right

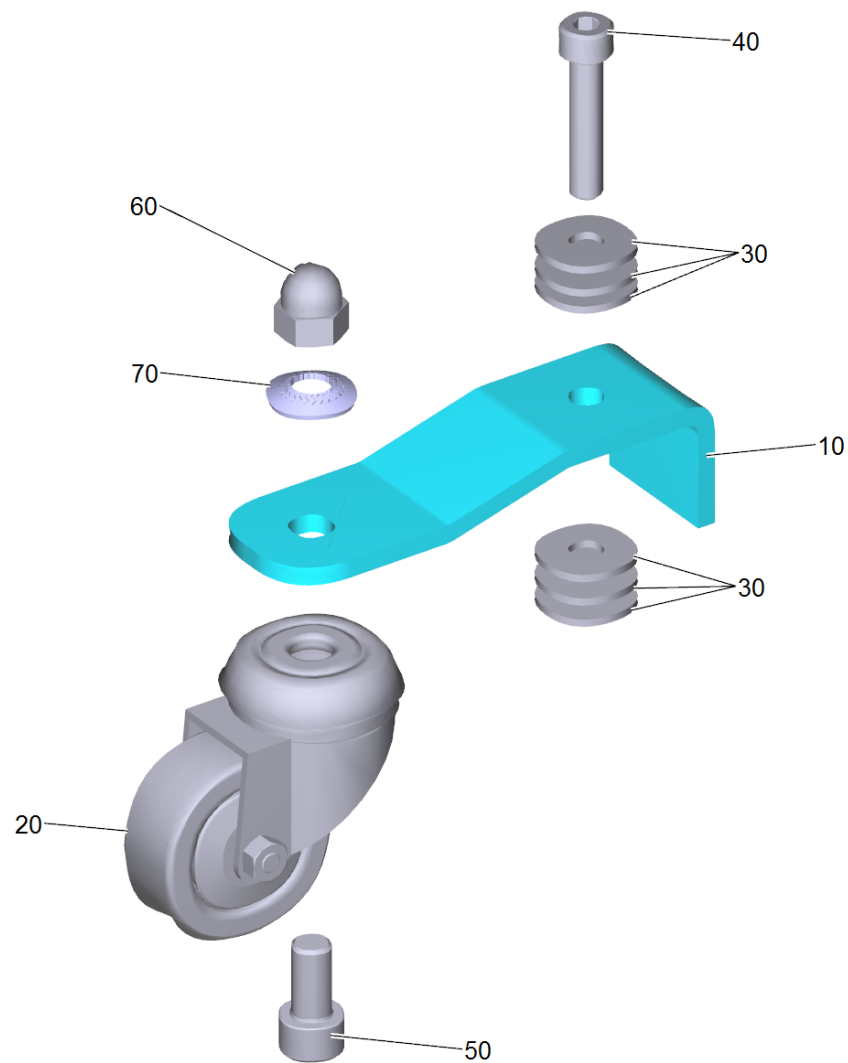
POS	Article no.	Description	Quantity	Unit
20	5.033-579.0	End piece inside right	1	PC

70 Profile pre-assembled left

POS	Article no.	Description	Quantity	Unit
20	5.033-578.0	End piece inside left	1	PC

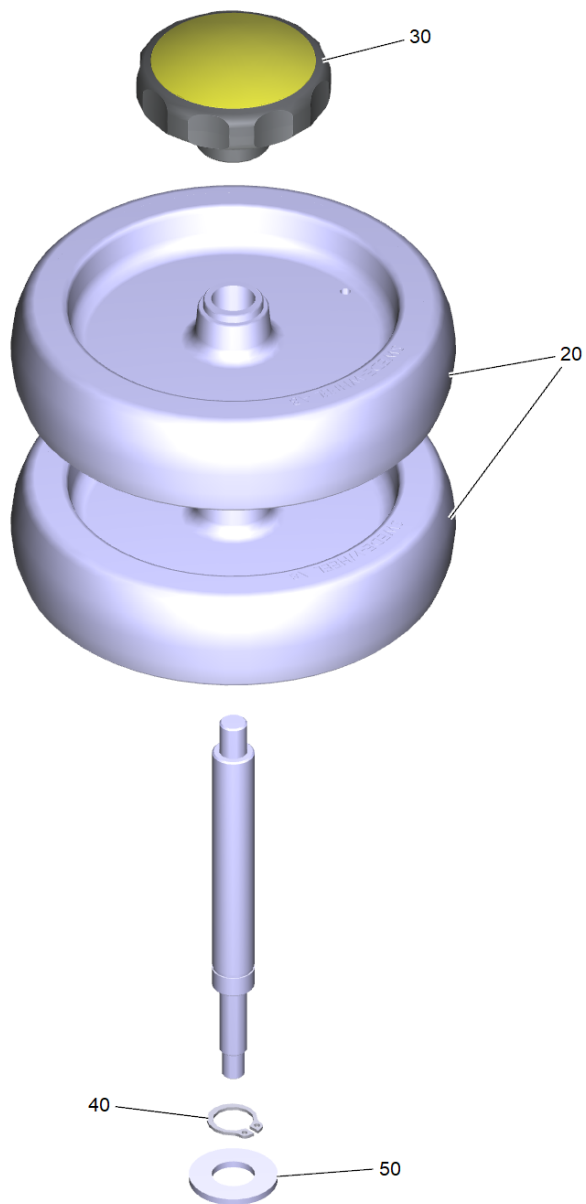
9002 Support roller complete replacement (4.035-171.0)

POS	Article no.	Description	Quantity	Unit
1	6.435-179.0	Castor for thread deflector	1	PC
2	5.332-554.0	Pressure spring	1	PC
3	6.321-240.0	Star grip with inscription VA Ø50x43	1	PC
4	7.306-074.0	Cylinder head screw M10x35-8.8-A3E ISO4	1	PC
5	7.311-382.0	Cap nut M10-6-A3E DIN 1587	1	PC
6	6.996-526.0	Serrated locking washer d.10	1	PC



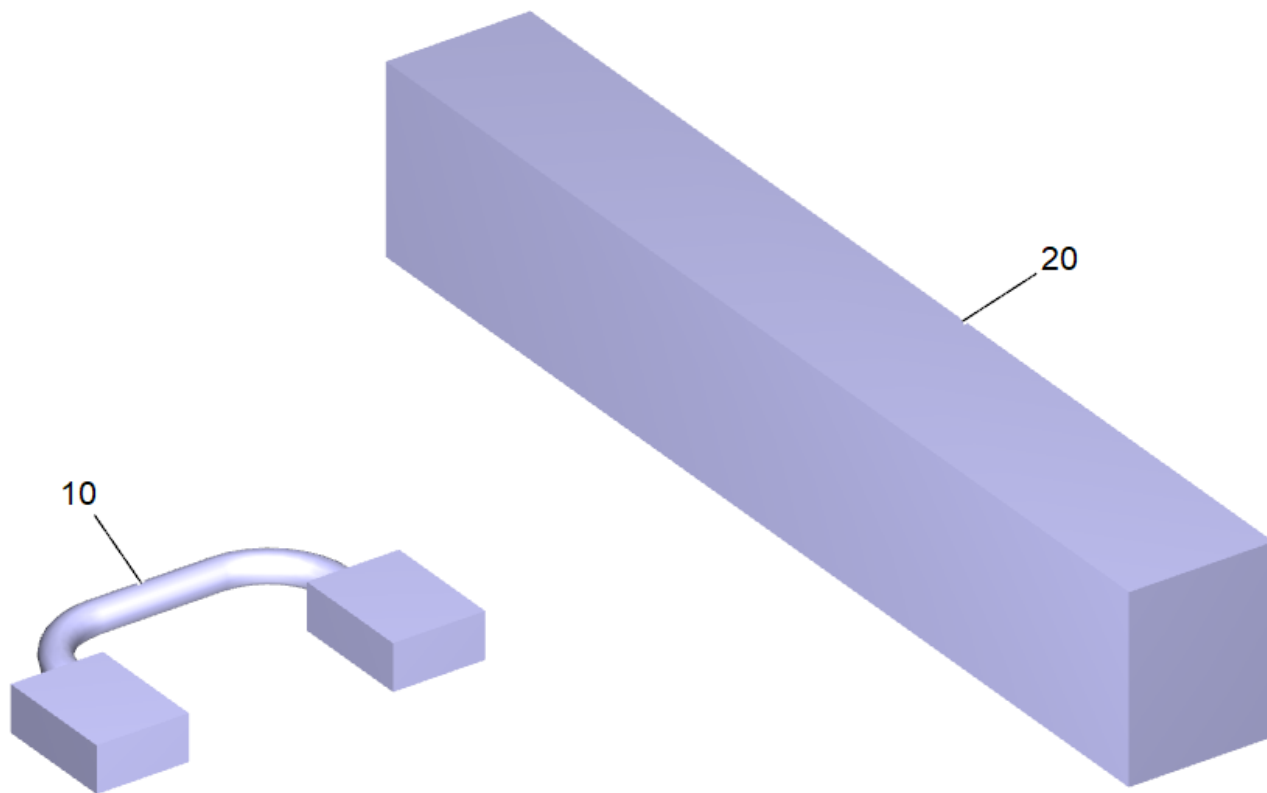
9003 Support roller complete replacement (4.035-557.0)

POS	Article no.	Description	Quantity	Unit
10	5.013-547.0	Retaining plate castor suction bar V-Typ	1	PC
20	6.435-179.0	Castor for thread deflector	1	PC
30	7.312-289.0	Washer 8 -A2 ISO 7093-1	6	PC
40	7.306-114.0	Cylinder head screw M 8x40-A2-70 ISO 47	1	PC
50	7.306-234.0	Cylinder head screw M10x20-A4-70 ISO 47	1	PC
60	7.311-382.0	Cap nut M10-6-A3E DIN 1587	1	PC
70	6.996-526.0	Serrated locking washer d.10	1	PC



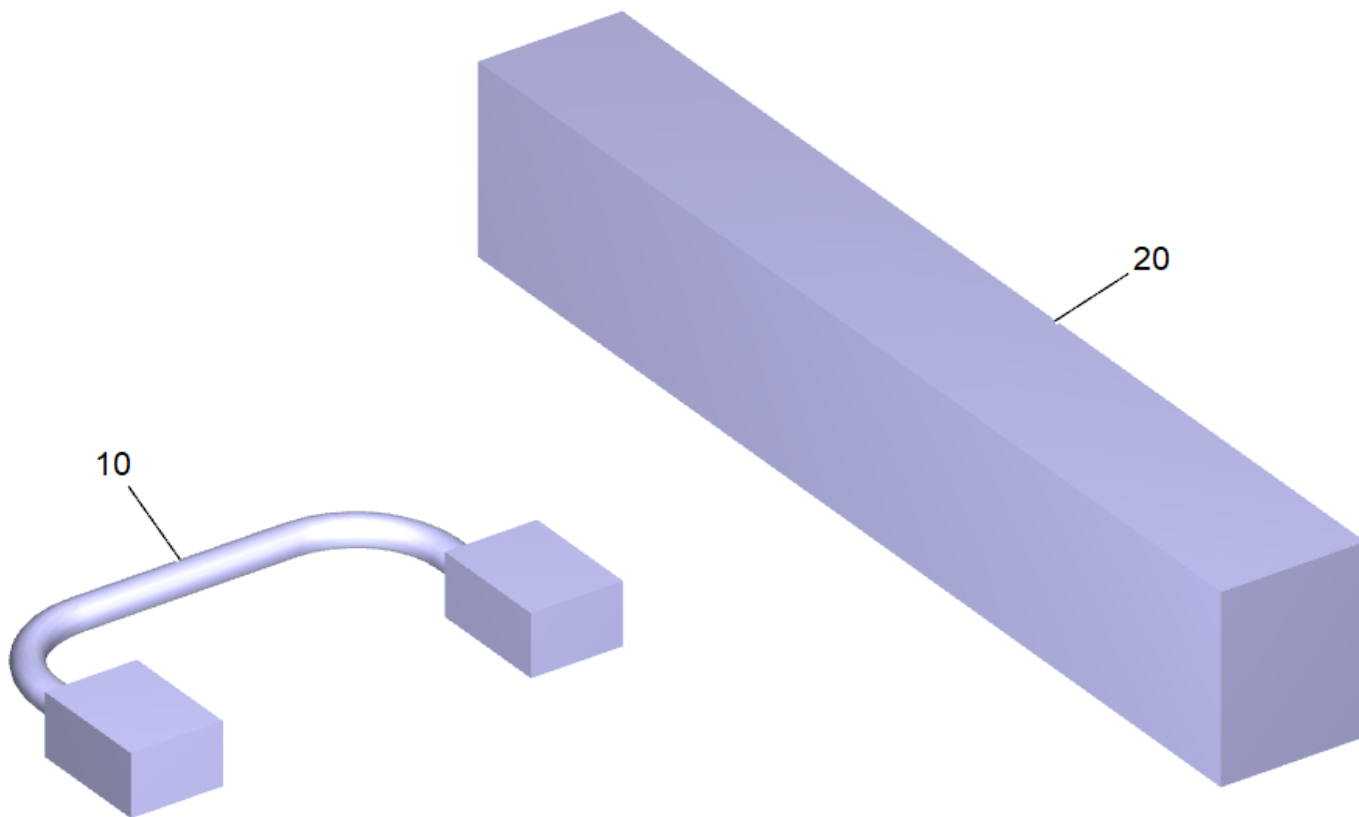
9500 Set deflector roll stack formation SB (4.035-619.0)

POS	Article no.	Description	Quantity	Unit
20	5.515-346.0	Deflector roll suction bar D120	2	PC
30	6.321-224.0	Turning knob grey D55mm	1	PC
40	7.343-083.0	Locking ring 12x1 -FSt DIN 471	1	PC
50	5.115-628.0	Washer	1	PC



9523 Mounting kit battery kit (2.638-036.0)

POS	Article no.	Description	Quantity	Unit
10	6.649-879.0	Cable battery 25 mm ² . 160 mm	1	PC
20	5.642-021.0	Distance holder battery	1	PC



9531 Mounting kit battery kit (2.638-059.0)

POS	Article no.	Description	Quantity	Unit
10	6.649-601.0	Cable battery short Hoppecke	1	PC
20	5.642-021.0	Distance holder battery	1	PC