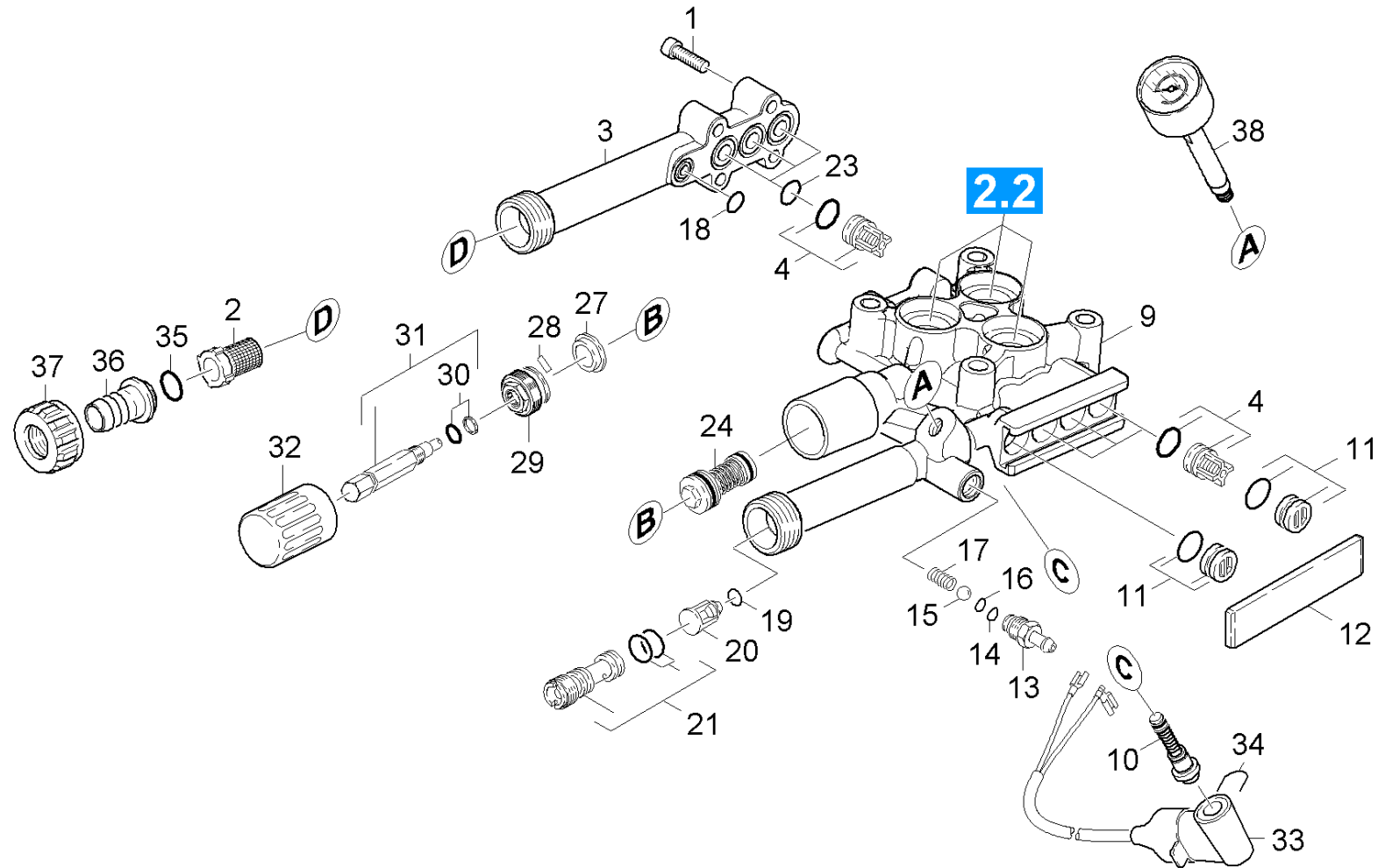


## 21 Cylinder head

Overview technical documents/Professional/High pressure cleaner cold water/Electric motor/HD 6/15 C \*EU (1.150-600.0)/Spare parts list HD 6/15 C \*EU/20 Pump set/21 Cylinder head



## 21 Cylinder head

Overview technical documents/Professional/High pressure cleaner cold water/Electric motor/HD 6/15 C \*EU (1.150-600.0)/Spare parts list HD 6/15 C \*EU/20 Pump set/21 Cylinder head

ET/VT (spare/wear parts)	Pos	Material #	Name	Qty.	Unit	from ser.nr.	up to ser.nr.
	1	7.306-105.0	Screw M6x30 -8.8-R3R (In6Rd)	4.000	ST	0000000000	0000000000
	2	6.414-252.0	Strainer	1.000	ST	0000000000	0000000000
	3	5.064-150.0	Suction cover	1.000	ST	0000000000	0000000000
X-X	4	2.884-916.0	Valve (3 Stück)	2.000	ST	0000000000	0000000000
	9	5.550-320.0	Cylinder head	1.000	ST	0000000000	0000000000
X-X	10	2.884-501.0	Spare part set control piston	1.000	ST	0000000000	0000000000
X-X	11	4.132-007.0	Drain plug only for replacement	4.000	ST	0000000000	0000000000
	12	5.003-062.0	Plate	1.000	ST	0000000000	0000000000
	13	5.443-624.0	Nipple	1.000	ST	0000000000	0000000000
	14	6.362-113.0	O-Ring seal 6,0 x 2,0 NBR 70	1.000	ST	0000000000	0000000000
	15	7.401-908.0	Sphere 7 G300 -1.4301 DIN 5401	1.000	ST	0000000000	0000000000
	16	6.362-175.0	O-Ring seal 5,28x 1,78	1.000	ST	0000000000	0000000000
	17	5.332-258.0	Helical spring	1.000	ST	0000000000	0000000000
	18	6.362-384.0	O-Ring seal 9x1,5 - NBR 70	1.000	ST	0000000000	0000000000
X	19	6.363-613.0	O-Ring seal 4 x 2 -NBR90	1.000	ST	0000000000	0000000000
	20	5.584-091.0	Valve pin check valve	1.000	ST	0000000000	0000000000
	21	4.769-034.0	Nozzle insert only for replacement	1.000	ST		
X-X	23	6.362-533.0	O-Ring seal 14,0 X 1,5-NBR 70	3.000	ST	0000000000	0000000000
X	24	4.591-038.0	Overflow valve	1.000	ST	0000000000	0000000000
	27	5.110-630.0	Sleeve	1.000	ST	0000000000	0000000000
	28	7.314-629.0	Grooved pin 2x10 -A1 ISO 8742	1.000	ST	0000000000	0000000000
	29	5.583-147.0	Valve screw	1.000	ST	0000000000	0000000000
X	30	6.362-468.0	O-Ring seal complete 1ST.-R.	1.000	ST	0000000000	0000000000
	31	4.291-014.0	Spindle complete	1.000	ST	0000000000	0000000000
X	32	5.322-095.0	Handhold yellow RAL 1018	1.000	ST	0000000000	0000000000

## 21 Cylinder head

Overview technical documents/Professional/High pressure cleaner cold water/Electric motor/HD 6/15 C \*EU (1.150-600.0)/Spare parts list HD 6/15 C \*EU/20 Pump set/21 Cylinder head

ET/VT (spare/wear parts)	Pos	Material #	Name	Qty.	Unit	from ser.nr.	up to ser.nr.
X-X	33	4.744-168.0	Switch complete	1.000	ST	0000000000	0000000000
	34	5.034-494.0	Retaining bracket	1.000	ST	0000000000	0000000000
	35	6.362-078.0	O-Ring seal 13,3x2,4	1.000	ST	0000000000	0000000000
	36	5.443-229.0	Hose stem	1.000	ST	0000000000	0000000000
	37	5.310-065.0	Nut	1.000	ST	0000000000	0000000000
X-X	38	6.421-349.0	Pressure gauge 0-30 MPa	1.000	ST	0000000000	0000000000
	100	2.885-242.0	Pump set HD 6/15 C	1.000	ST		