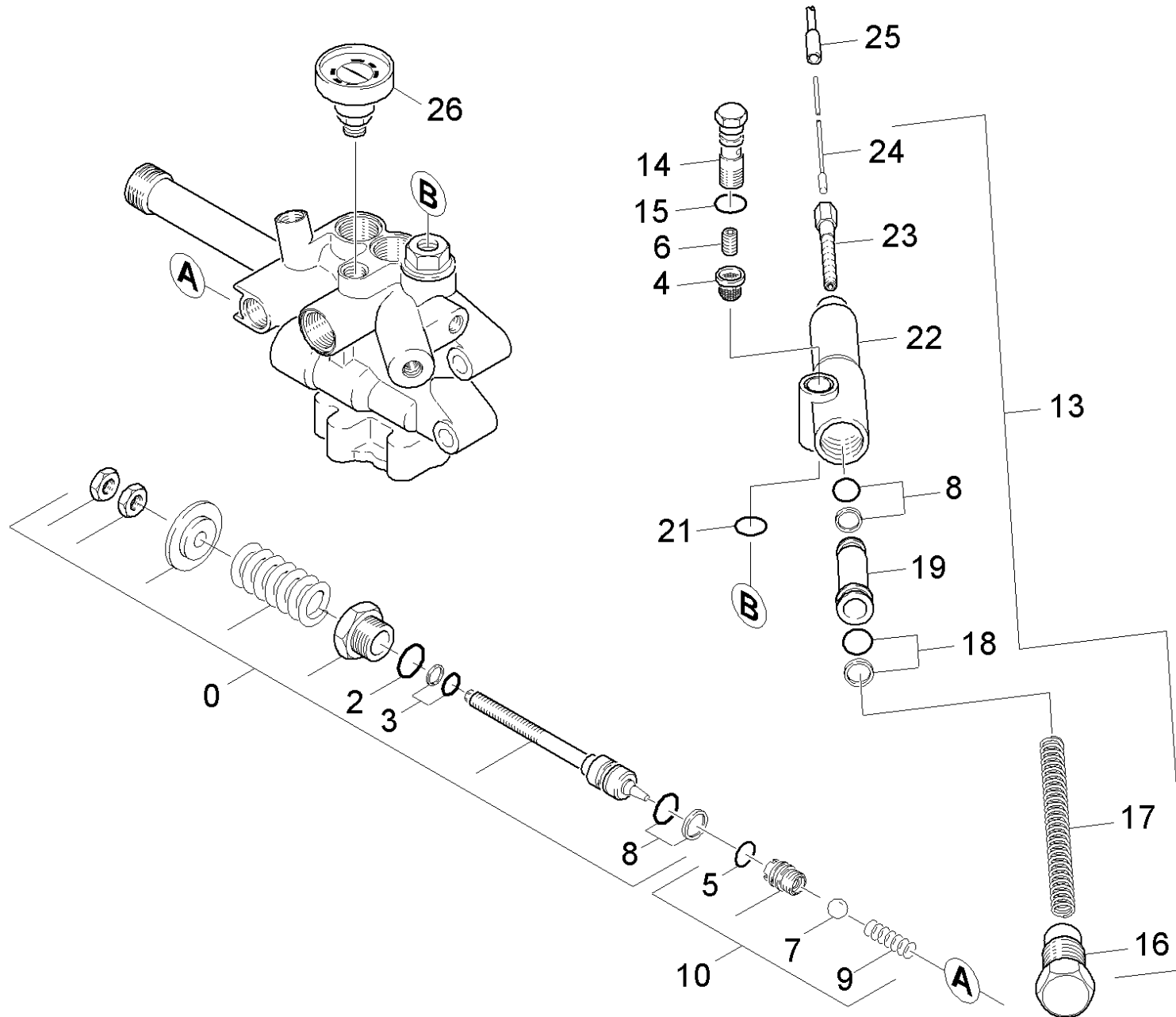


23 Excess-current

Professional \ High pressure cleaner hotwater \ Combustion engine \ HDS 1000 DE *EU \ Spare parts list HDS 1000 DE \ Pump set \ Excess-current



23 Excess-current

Professional \ High pressure cleaner hotwater \ Combustion engine \ HDS 1000 DE *EU \ Spare parts list HDS 1000 DE \ Pump set \ Excess-current

KÄRCHER

| POS | Article no. | Description | Quantity | Unit |
|-----|-------------|---|----------|------|
| 0 | 4.591-035.3 | Overflow valve | 1 | PC |
| 2 | 6.362-445.0 | O-Ring seal 16,0 X 2,4-NBR 80 | 1 | PC |
| 3 | 6.362-365.0 | O-Ring seal complete 1ST.-R.- 7,65X 1,7 | 1 | PC |
| 4 | 6.414-142.0 | Strainer | 1 | PC |
| 5 | 6.362-858.0 | O-Ring seal 11,0 X 1,5 | 1 | PC |
| 6 | 5.305-283.0 | Screw | 1 | PC |
| 7 | 7.401-907.0 | Sphere 3/8 G200-1.4301 DIN 5401 | 1 | PC |
| 8 | 6.362-575.0 | O-Ring seal 12,42 KOMPL | 1 | PC |
| 9 | 5.332-999.0 | Helical spring | 1 | PC |
| 10 | 4.481-226.0 | Valve seat complete | 1 | PC |
| 13 | 4.741-016.3 | Speed control | 1 | PC |
| 14 | 5.404-063.0 | Hollow screw | 1 | PC |
| 15 | 6.362-384.0 | O-Ring seal 9x1,5 - NBR 70 | 1 | PC |
| 16 | 5.411-139.0 | Screw plug | 1 | PC |
| 17 | 5.332-232.0 | Helical spring | 1 | PC |
| 18 | 6.362-611.0 | O-Ring seal complete | 1 | PC |
| 19 | 5.553-222.3 | Piston packaged | 1 | PC |
| 21 | 6.362-527.0 | O-Ring seal 12,0 X 1,5-NBR 70 | 1 | PC |
| 22 | 5.060-335.3 | Housing packaged | 1 | PC |
| 23 | 4.431-003.0 | Adjusting screw cpl. | 1 | PC |
| 24 | 6.431-089.0 | Strand 635 mm | 1 | PC |
| 25 | 6.431-065.0 | Wire cage 435mm | 1 | PC |
| 26 | 6.421-214.0 | Pressure gauge 0-300 BAR | 1 | PC |