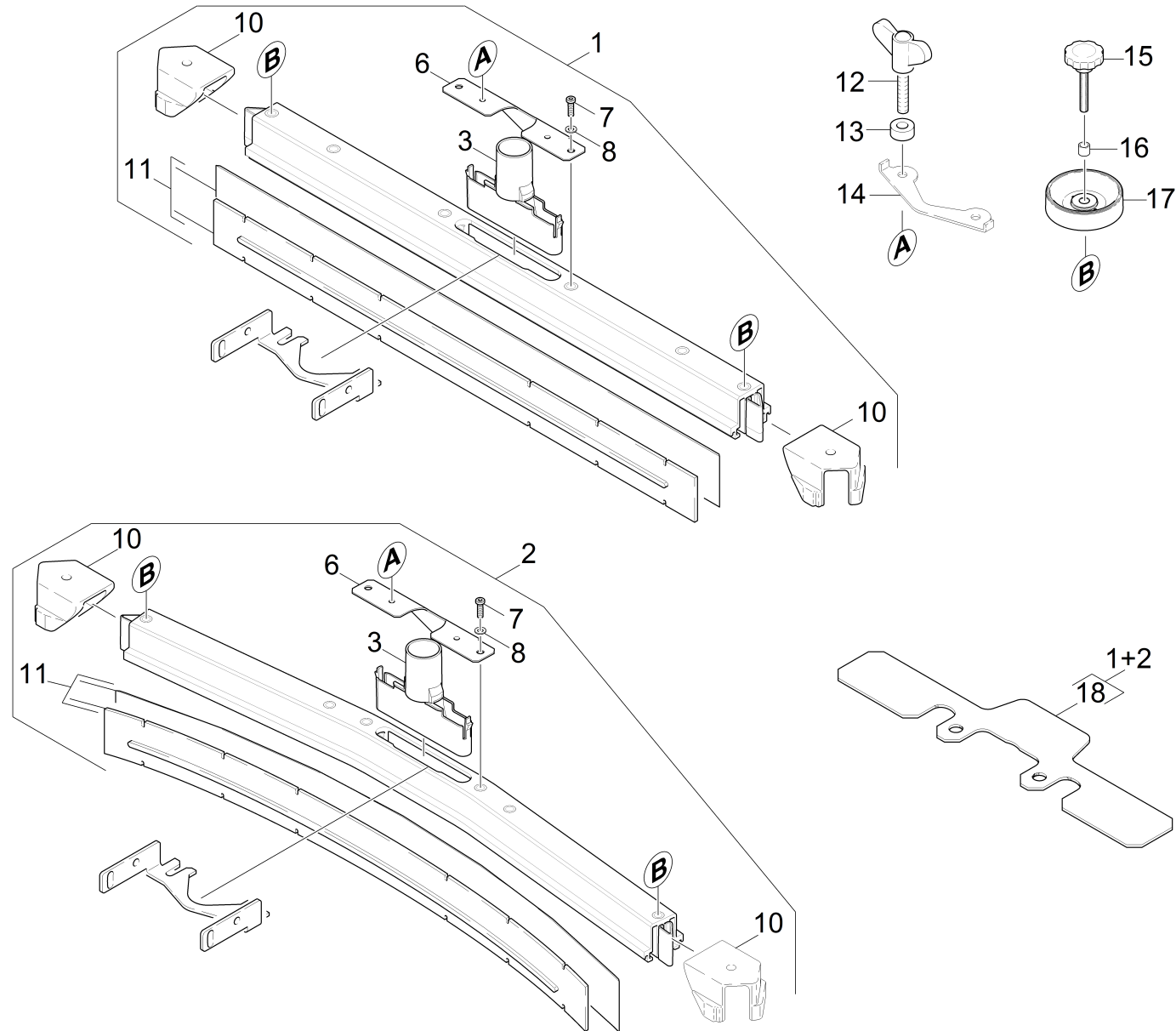


54 Suction bar

Overview technical documents/Professional/Floor cleaner/Walk behind/BR 530 (1.127-809.0)/Spare parts list BR 530 Netz/50 Suction mechanism BD 530 BAT/54 Suction bar



54 Suction bar

Overview technical documents/Professional/Floor cleaner/Walk behind/BR 530 (1.127-809.0)/Spare parts list BR 530 Netz/50 Suction mechanism BD 530 BAT/54 Suction bar

Rez.daļas/nodil.pakļ.daļas	Poz.	Materiāla Nr.	Nosaukums	Daudzums	Pārdoš. vienība
X-X	1	4.777-406.0	suction bar	1.000	ST
X-X	2	4.777-416.0	Tank	1.000	ST
X-X	3	5.033-601.0	Suction nipple	1.000	ST
X-X	6	5.100-559.0	Suction bar support plate	1.000	ST
X-X	7	7.306-142.0	Cylinder head screw M 8x25-A4-70 ISO 47	1.000	ST
X-X	8	7.312-017.0	wascher	1.000	ST
X-X	10	2.885-294.0	End piece left/right part	1.000	ST
X-X	11	6.273-290.0	BLADES FOR TEXTURED FLOORS	1.000	ST
X-X	11	6.273-207.0	Gumijas latai - eļļizturīgas, 890mm	1.000	ZSA
X-X	11	6.273-213.0	Gumijas mēlišu komplekts, standarta	1.000	ZSA
X-X	11	6.273-229.0	Gumijas latai - eļļizturīgas	1.000	ST
X-X	12	5.305-296.0	Spārnu skrūve M8 x 40 VA	2.000	ST
X-X	13	5.112-810.0	Sleeve	2.000	ST
X-X	14	5.007-217.0	Baffle plate	1.000	ST
X-X	15	6.321-239.0	Sēņveida rokturis A Ø 50x43	2.000	ST
X-X	16	5.094-231.0	Uzmava iesūkšanas latai	2.000	ST
X-X	17	5.515-346.0	Ies. rullītis iesūkšanas latai D120	2.000	ST
	18	5.128-339.0	Additional weight suction bar	1.000	ST