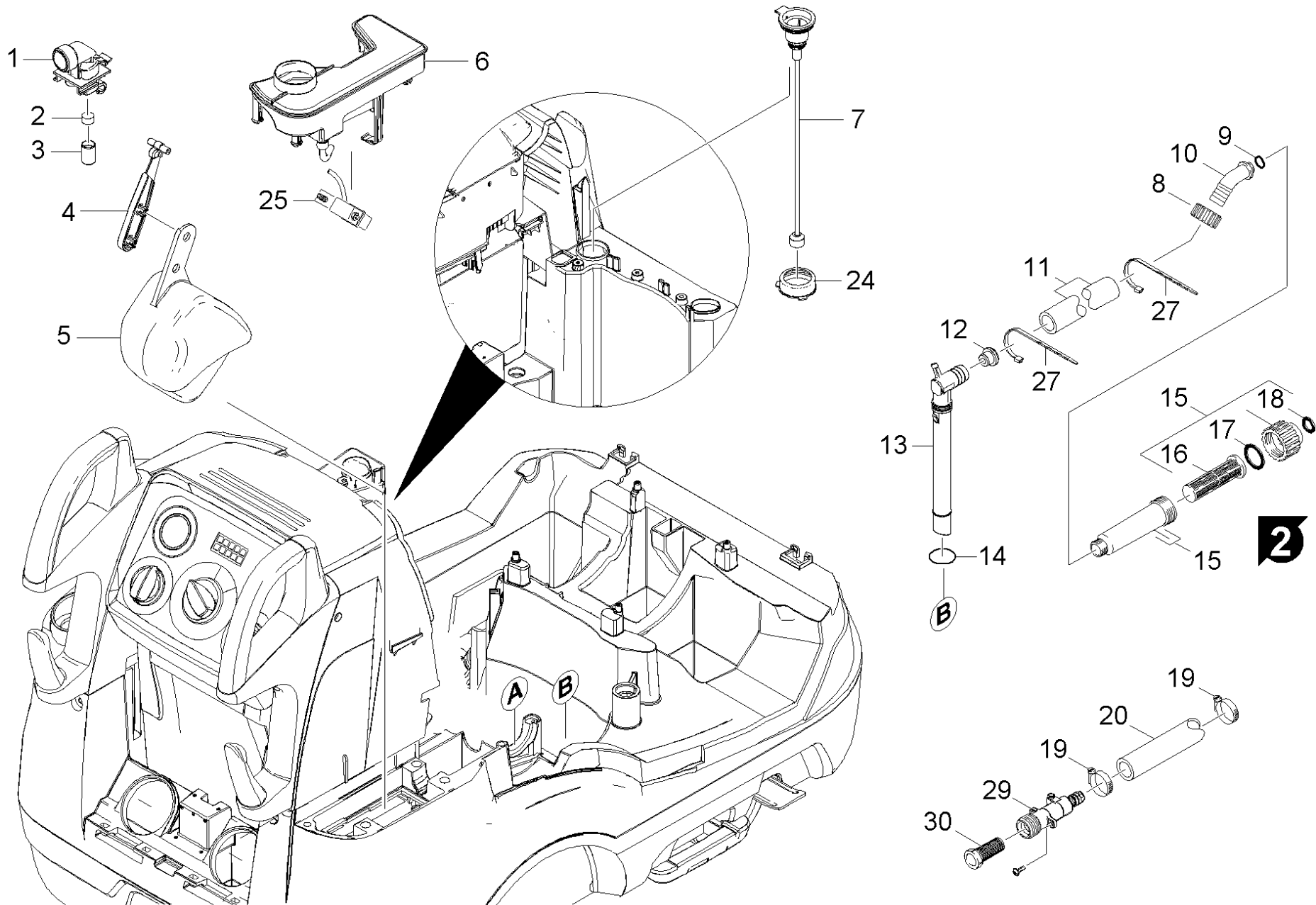


82 Float valve

Professional \ High pressure cleaner hotwater \ Electric motor \ HDS 7/10-4 M *GB \ Spare parts list HDS 7/12-4M \ Float valve \ Float valve



82 Float valve

Professional \ High pressure cleaner hotwater \ Electric motor \ HDS 7/10-4 M *GB \ Spare parts list HDS 7/12-4M \ Float valve \ Float valve

KÄRCHER

| POS | Article no. | Description | Quantity | Unit | Foot note text |
|-----|--|-------------------------------------|----------|------|-----------------------|
| 1 | 5.587-214.0 | Valve housing | 1 | PC | |
| 2 | 5.364-095.0 | Flat gasket | 1 | PC | |
| 3 | 5.584-085.0 | Valve pin | 1 | PC | |
| 4 | 5.481-256.0 | Lever | 1 | PC | |
| 5 | 5.585-030.0 | Float | 1 | PC | |
| 6 | 4.070-658.3 | Tank complete | 1 | PC | |
| | Item text1: 1.077-401.0 /-402.0 /-403.0 /-405.0 | | | | |
| | Item text2: /-451.0 | | | | |
| 6 | 4.070-905.0 | Tank only for replacement | 1 | PC | |
| | Item text1: 1.077-407.0 | | | | |
| 7 | 4.747-097.0 | Level probe -nur für Ersatz- | 1 | PC | |
| 8 | 5.310-062.0 | Nut | 1 | PC | |
| 9 | 6.362-078.0 | O-Ring seal 13,3x2,4 | 1 | PC | |
| 10 | 5.443-365.0 | HOSE STEM (HDS555C) | 1 | PC | |
| 11 | 6.392-258.0 | Piece of tube 19x4x280 | 1 | PC | TO ORDER AS CUT GOODS |
| 12 | 5.112-286.0 | Bush | 1 | PC | |
| 13 | 5.443-553.0 | Connection piece | 1 | PC | |
| 14 | 6.362-161.0 | O-Ring seal 19,3 X 2,4 | 1 | PC | |
| 15 | 4.730-127.0 | Water filter | 1 | PC | |
| 16 | 5.731-587.0 | Water filter | 1 | PC | |
| 17 | 5.363-336.0 | Seal | 1 | PC | |
| 18 | 5.363-545.0 | Seal | 1 | PC | |
| 19 | 7.373-022.0 | Hose clip A-16-27x9 -W2-2 DIN3017 | 2 | PC | |
| 20 | 6.388-719.0 | Hose DN17 | 1 | m | TO ORDER AS CUT GOODS |
| 24 | 5.365-289.0 | Rubber bushing transmitter feeder | 1 | PC | |
| 25 | 4.686-030.0 | Solenoid valve only for replacement | 1 | PC | |
| 27 | 6.641-474.0 | Cable tape 8-210 | 2 | PC | |
| 29 | 5.427-432.0 | Manifold | 1 | PC | |
| 30 | 6.414-141.0 | Strainer | 1 | PC | |