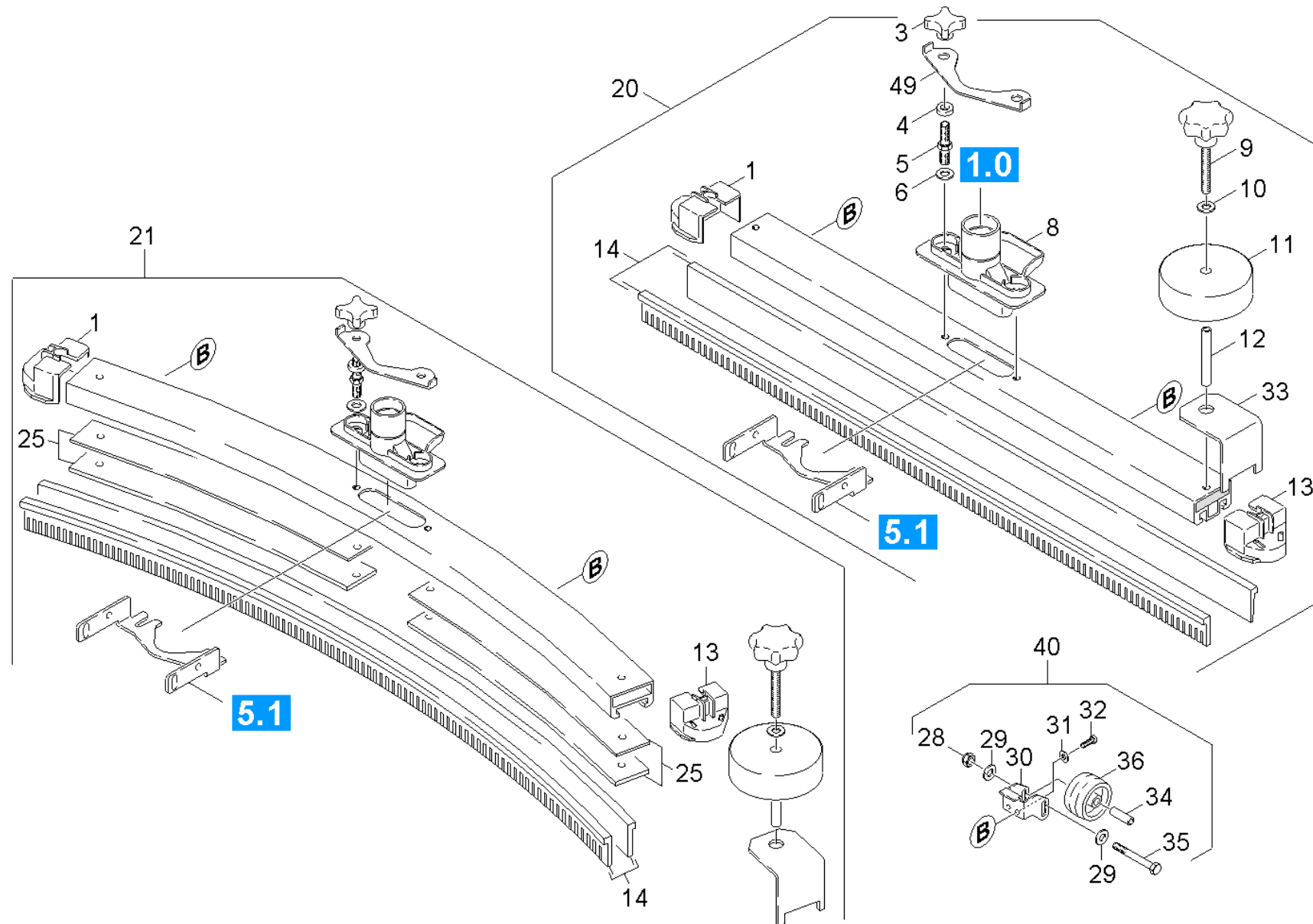


## 52 Suction bar

Overview technical documents/Professional/Floor cleaner/Walk behind/BR 530 (1.127-809.0)/Spare parts list BR 530 Netz/50 Suction mechanism BD 530 BAT/52 Suction bar



## 52 Suction bar

Overview technical documents/Professional/Floor cleaner/Walk behind/BR 530 (1.127-809.0)/Spare parts list BR 530 Netz/50 Suction mechanism BD 530 BAT/52 Suction bar

Rez.daļas/nodil.pakļ.dājas	Poz.	Materiāla Nr.	Nosaukums	Daudzums	Pārdoš. vienība	no sēr. Nr..	līdz sēr. Nr.
X-X	1	5.031-482.0	End piece right	2.000	ST	0000000000	0000000000
X-X	3	6.321-133.0	Star handle M8X16	2.000	ST	0000000000	0000000000
X-X	4	7.312-080.0	wascher	2.000	ST	0000000000	0000000000
X-X	5	5.308-057.0	Threaded bolt	2.000	ST	0000000000	0000000000
	6	7.312-277.0	Washer 8-200HV-A2E ISO7093-1	2.000	ST	0000000000	0000000000
	8	5.031-464.0	Suction nipple	1.000	ST	0000000000	0000000000
X-X	9	6.321-243.0	Star grip stainless steel D50x48	2.000	ST	0000000000	0000000000
X-X	10	7.312-004.0	Paplāksne 8 -200HV-A3E ISO 7090	2.000	ST	0000000000	0000000000
X-X	11	5.515-096.0	Veltnītis	2.000	ST	0000000000	0000000000
X-X	12	5.029-469.0	Tube	2.000	ST	0000000000	0000000000
X-X	13	5.031-465.0	End piece left	1.000	ST	0000000000	0000000000
X-X	14	6.273-185.0	Gumijas mēlišu komplekts	1.000	ZSA	0000000000	0000000000
X-X	14	6.273-168.0	Gumijas mēlišu komplekts, eļļizturīgas	1.000	ZSA	0000000000	0000000000
	20		Stockpiling discontinued	1.000	ST	0000000000	0000000000
	21		Stockpiling discontinued	1.000	ST	0000000000	0000000000
	25	5.401-249.0	Insert curved	1.000	ST	0000000000	0000000000
X-X	28	7.311-422.0	Hexagon nut M 6-1.4305 ISO 10511	2.000	ST	0000000000	0000000000
X-X	29	7.312-026.0	Washer 6-A2 ISO 7090	4.000	ST	0000000000	0000000000
	30	5.044-304.0	Holder roller	2.000	ST	0000000000	0000000000
X-X	31	7.312-058.0	washer	4.000	ST	0000000000	0000000000
X-X	32	7.303-037.0	Skrūve M5x8 -St-A2R (In6Rd)	4.000	ST	0000000000	0000000000
X-X	33	5.017-136.0	Angle	2.000	ST	0000000000	0000000000
X-X	34	5.105-245.0	Axle	2.000	ST	0000000000	0000000000
	35	7.304-550.0	Hexagonal head screw M 6x45-A4-70 ISO 4	2.000	ST	0000000000	0000000000
X-X	36	6.435-401.0	Ritenis D54	2.000	ST	0000000000	0000000000

## 52 Suction bar

Overview technical documents/Professional/Floor cleaner/Walk behind/BR 530 (1.127-809.0)/Spare parts list BR 530 Netz/50 Suction mechanism BD 530 BAT/52 Suction bar

Rez.daļas/nodil.pakļ.daļas	Poz.	Materiāla Nr.	Nosaukums	Daudzums	Pārdoš. vienība	no sēr. Nr..	līdz sēr. Nr.
X-X	40	2.639-561.0	Add-on kit support wheels	1.000	ST	0000000000	0000000000
X-X	49	5.007-217.0	Baffle plate	1.000	ST	0000000000	0000000000