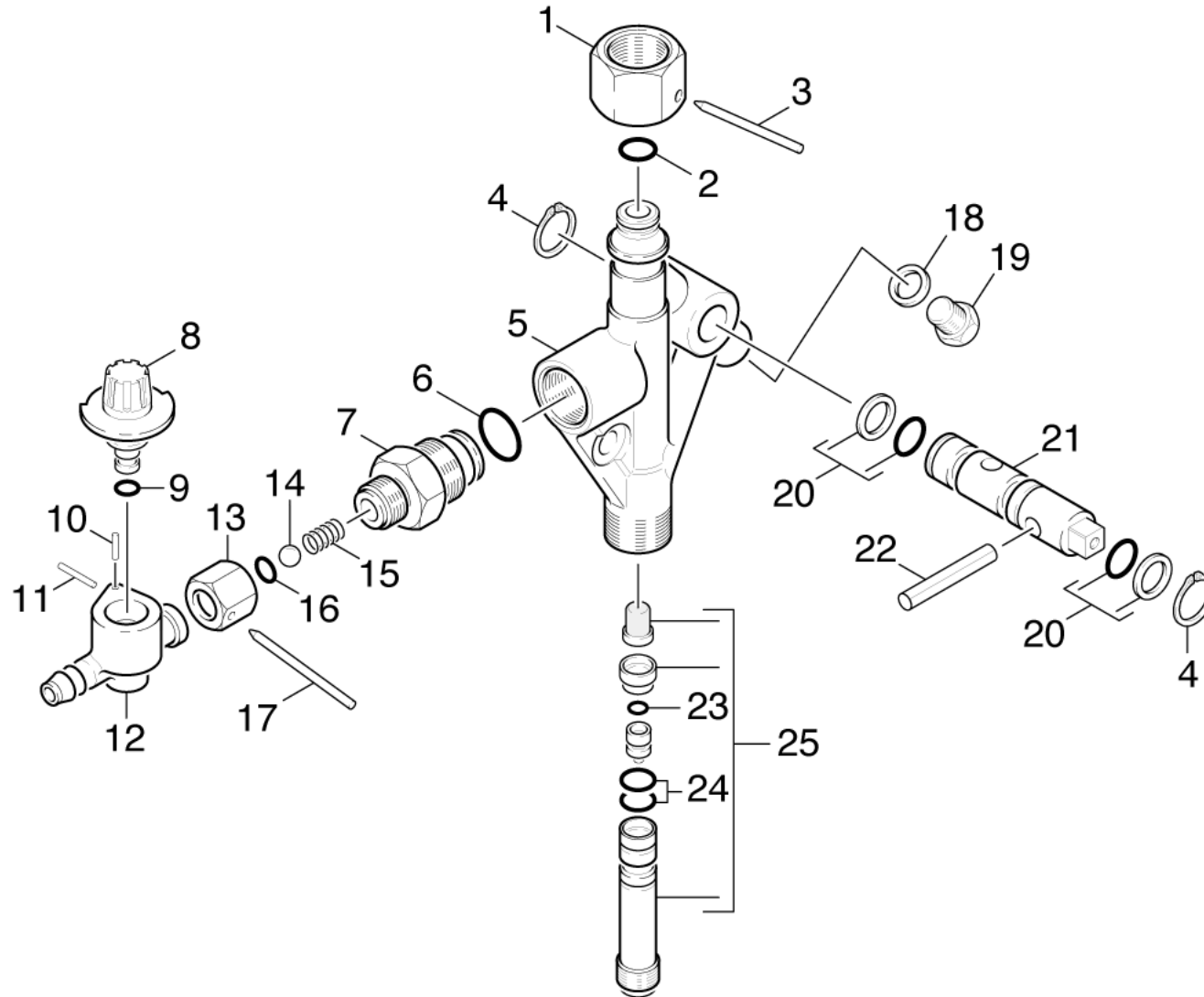


20 Injector

Professional \ Industrial cleaning systems \ High pressure cleaner stationary \ Box \ MANUAL DRUCKS.RM.ZUD. \ Spare parts list delivery side metered a \ Injector



20 Injector

Professional \ Industrial cleaning systems \ High pressure cleaner stationary \ Box \ MANUAL DRUCKS.RM.ZUD. \ Spare parts list delivery side metered a \ Injector

KÄRCHER

POS	Article no.	Description	Quantity	Unit
25	4.769-006.0	Nozzle insert	1	PC
5	5.060-304.0	Housing	1	PC
21	5.100-055.0	Shaft	1	PC
8	5.291-038.0	Spindle	1	PC
15	5.332-124.0	Helical spring	1	PC
7	5.402-392.0	Screw union	1	PC
3	6.343-151.0	Pin	1	PC
17	6.343-154.0	Pin D 2,5X48	1	PC
23	6.362-362.0	O-Ring seal 5,28X 1,78-FPM 70	1	PC
16	6.362-383.0	O-Ring seal 6,0 X 2,0	1	PC
9	6.362-386.0	O-Ring seal 5,0 x 1,5-NBR 80	1	PC
6	6.362-390.0	O-Ring seal 15,6 X 1,78	1	PC
24	6.362-391.0	O-Ring seal 9,0 X 1,5	2	PC
2	6.362-392.0	O-Ring seal 10,0 X 2,0	1	PC
20	6.362-393.0	O-Ring seal complete 1ST.-R.	2	PC
1	6.386-242.0	Union nut M22X1,5	1	PC
13	6.386-413.0	Union nut M16X1,5	1	PC
10	7.314-621.0	Straight grooved pin 2,0x10-CU2 ISO 874	1	PC
11	7.314-624.0	Straight grooved pin 2,0x16-CU2 ISO 874	1	PC
22	7.314-960.0	Spring pin 6x40-St ISO 13337	1	PC
4	7.343-015.0	Locking ring 15x1-FST-RF DIN 471	2	PC
18	7.362-003.0	Joint ring A10x13,5 -Cu DIN 7603	1	PC
19	7.382-252.0	Screw plug M10x1-A-1.4305 DIN 7604	1	PC
14	7.401-908.0	Sphere 7 G300 -1.4301 DIN 5401	1	PC
12	7.777-999.0	Stockpiling discontinued	1	PC