

## **Spare parts list**

(1.324-600.0) K 5 Premium Full Control \*EU

## Table of contents

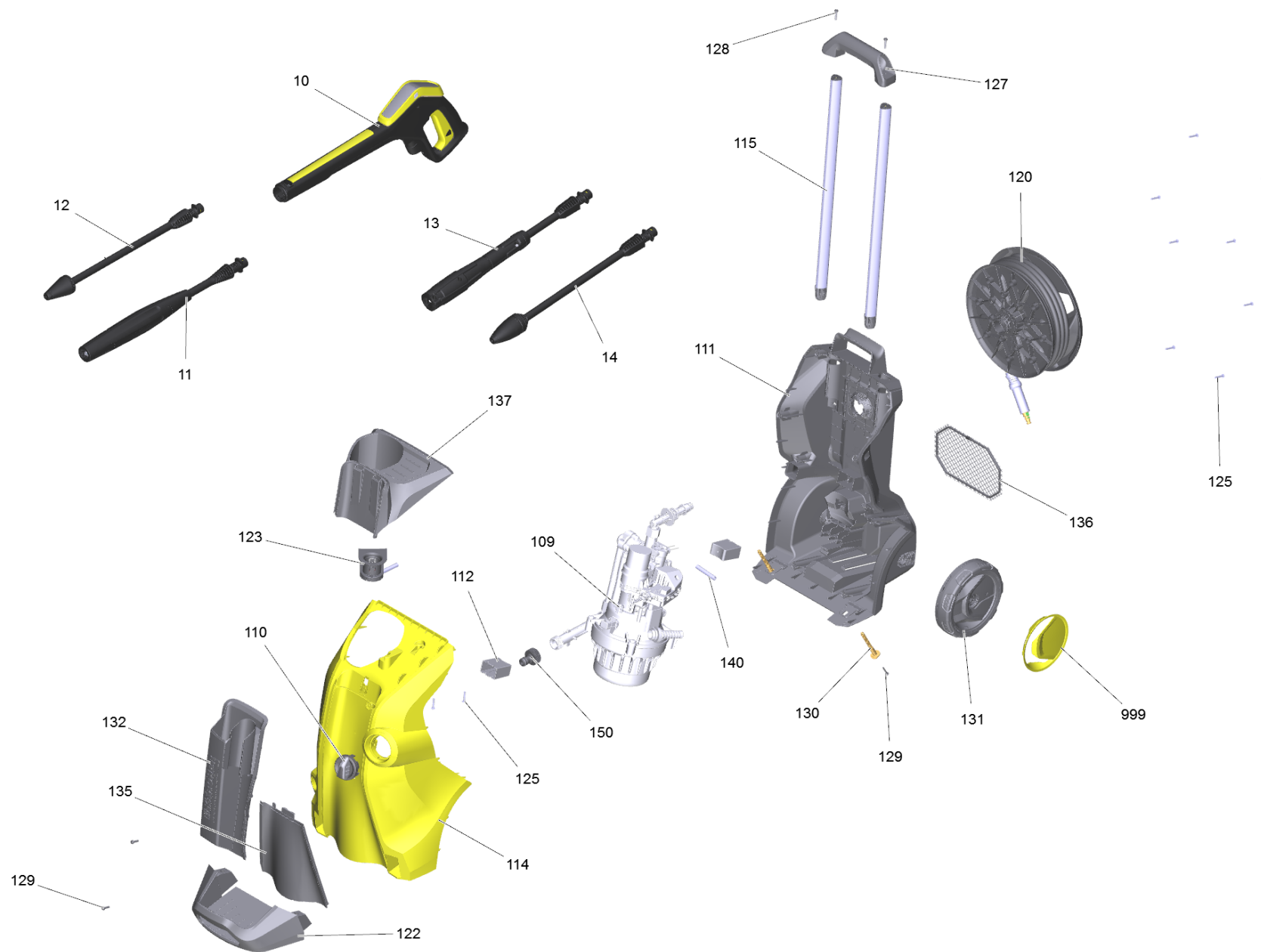
---

K 5 Premium Full Control *EU (1.324-600.0)	3
201 Spare parts list K5 FC Premium *EU (5.973-807.0)	4
10 Hand trigger gun G 145 Q Full Control (2.885-478.0)	6
1 G 145 FC	7
11 VP 145 Vario Power Jet (packaged) (2.642-725.0)	8
12 Dirt blaster 031 (4.764-289.0)	10
13 VP 145 Vario Power Jet (packaged) (2.642-725.0)	12
14 DB 145 rotor nozzle packaged (2.642-728.0)	14
109 Pump set K5 FC *EU	16
80 Thrust guidance FC/SCR K5	18
120 Motor complete K5 EU WCM 3 (ric) (9.002-420.0)	20
10 Motor complete K5 EU WCM 3/3.5	22
130 Pump cpl. FC K5	24
10 Spare parts set control head FC (9.002-442.0)	26
70 Nozzle insert (4.769-035.0)	28
12 Valve pin complete (4.584-022.0)	30
20 Pump head Alu FC ric (9.002-456.0)	32
30 Manifold fitting K5 FC kpl (9.013-346.0)	34
140 Suction connection cpl FC + filter (9.002-432.0)	36
150 HP inner fitting K5 FC Al (9.013-435.0)	38
160 E-box K5 FC without PCB EU (ric) (9.002-421.0)	40
120 Hose reel FC 16MPa/6m	42
13 H 10 Q HR high pressure hose (2.643-633.0)	44
9002 Spare parts set hose reel (9.002-440.0)	46
123 RM retainer station (9.012-681.0)	48
131 Wheel in pairs FC 1K D160 (9.002-438.0)	50

K 5 Premium Full Control \*EU (1.324-600.0)

---

<b>POS</b>	<b>Article no.</b>	<b>Description</b>	<b>Quantity</b>	<b>Unit</b>
201	5.973-807.0	Spare parts list K5 FC Premium *EU	1	PC



## 201 Spare parts list K5 FC Premium \*EU (5.973-807.0)

POS	Article no.	Description	Quantity	Unit	Foot note text
10	2.885-478.0	Hand trigger gun G 145 Q Full Control	1	PC	
11	2.642-725.0	VP 145 Vario Power Jet (packaged)	1	PC	
12	4.764-289.0	Dirt blaster 031	1	PC	
13	2.642-725.0	VP 145 Vario Power Jet (packaged)	1	PC	
14	2.642-728.0	DB 145 rotor nozzle packaged	1	PC	
109		Pump set K5 FC *EU	1	PC	
110	9.048-123.0	2K KNOB black	1	PC	
111	9.038-676.3	Housing rear FC**	1	PC	
112	9.038-456.0	Chassis support FC	2	PC	
114	9.002-443.0	Front housing FC neutral packed	1	PC	
115	9.002-448.0	Telescopic handle ALU bar FC kpl	1	PC	SET OF 2 PIECES
120		Hose reel FC 16MPa/6m	1	PC	
122	9.002-446.0	Spare part Bumper FC packed	1	PC	
123	9.012-681.0	RM retainer station	1	PC	
125	9.086-221.0	Screw ATF 4.1x22	10	PC	
127	9.002-447.0	Spare part Handle FC packed	1	PC	
128	9.086-230.0	Screw M4x16 ISO 7045 8.8 Zn/N	2	PC	
129	7.303-026.0	Screw 4x16 -A2-70 (In6Rd)	4	PC	
130	5.317-896.0	Bolt stand foot	2	PC	
131	9.002-438.0	Wheel in pairs FC 1K D160	1	PC	
132	9.002-434.0	Spare parts set holder accessories	1	PC	
135	9.002-449.0	Front panel K5 + imballo	1	PC	
136	9.002-435.0	Accessory net	1	PC	
137	9.002-445.0	Top Panel FC spare part packed	1	PC	
140	6.388-216.0	Hose DN 5 (PVC)	1	m	
150	6.465-031.0	Connection 3/4	1	PC	
999	9.038-444.0	Yellow cover FC 1K wheel D160	2	PC	

10 Hand trigger gun G 145 Q Full Control (2.885-478.0)

---

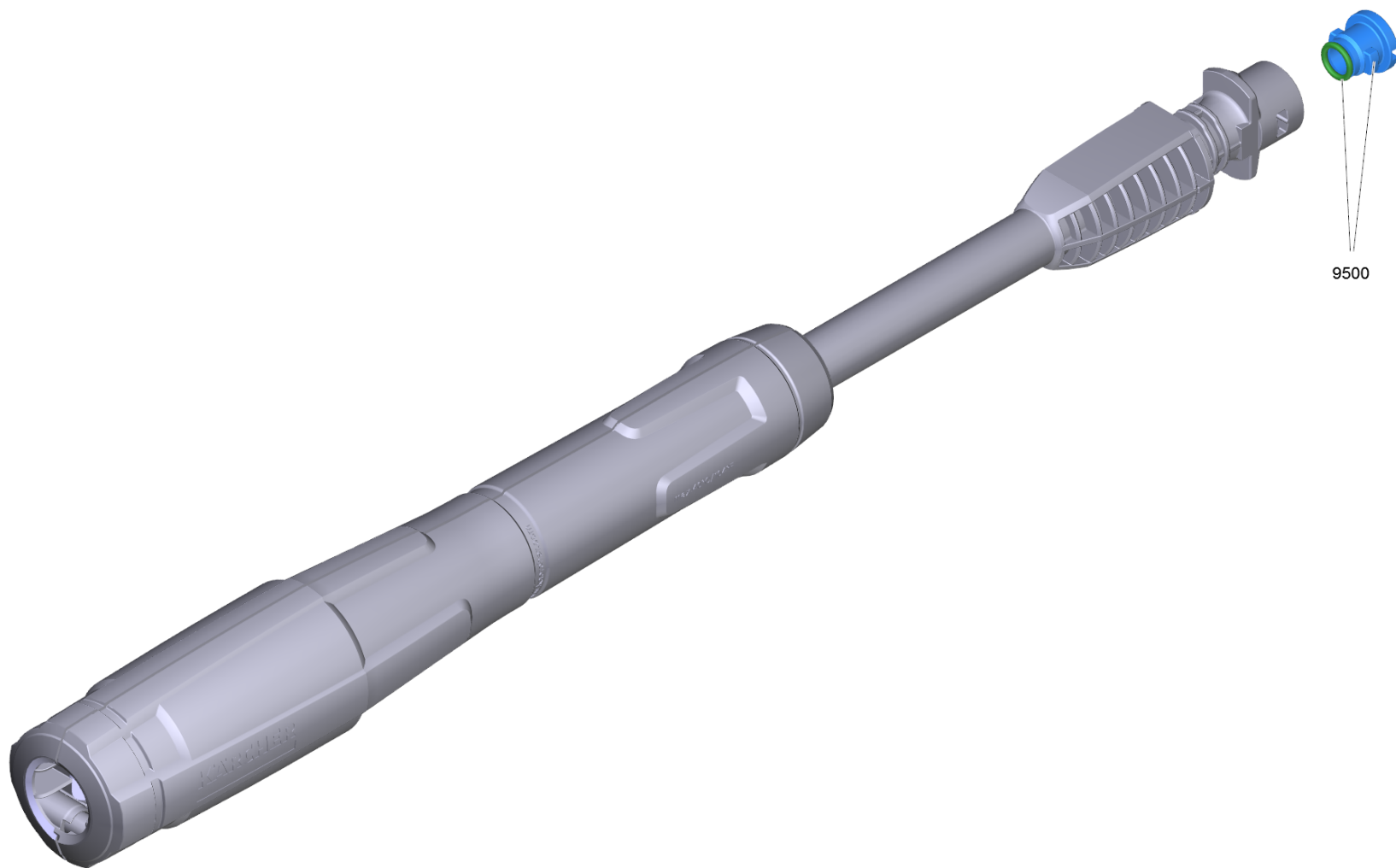
POS	Description	Quantity	Unit
1	G 145 FC	1	PC

---

1 G 145 FC

---

<b>POS</b>	<b>Article no.</b>	<b>Description</b>	<b>Quantity</b>	<b>Unit</b>
1	2.885-470.0	Spare part set cover battery	1	PC
2	5.332-464.0	Pressure spring	1	PC



9500



11 VP 145 Vario Power Jet (packaged) (2.642-725.0)

---

<b>POS</b>	<b>Article no.</b>	<b>Description</b>	<b>Quantity</b>	<b>Unit</b>
9500	2.640-729.0	O-Ring seal set	1	PC

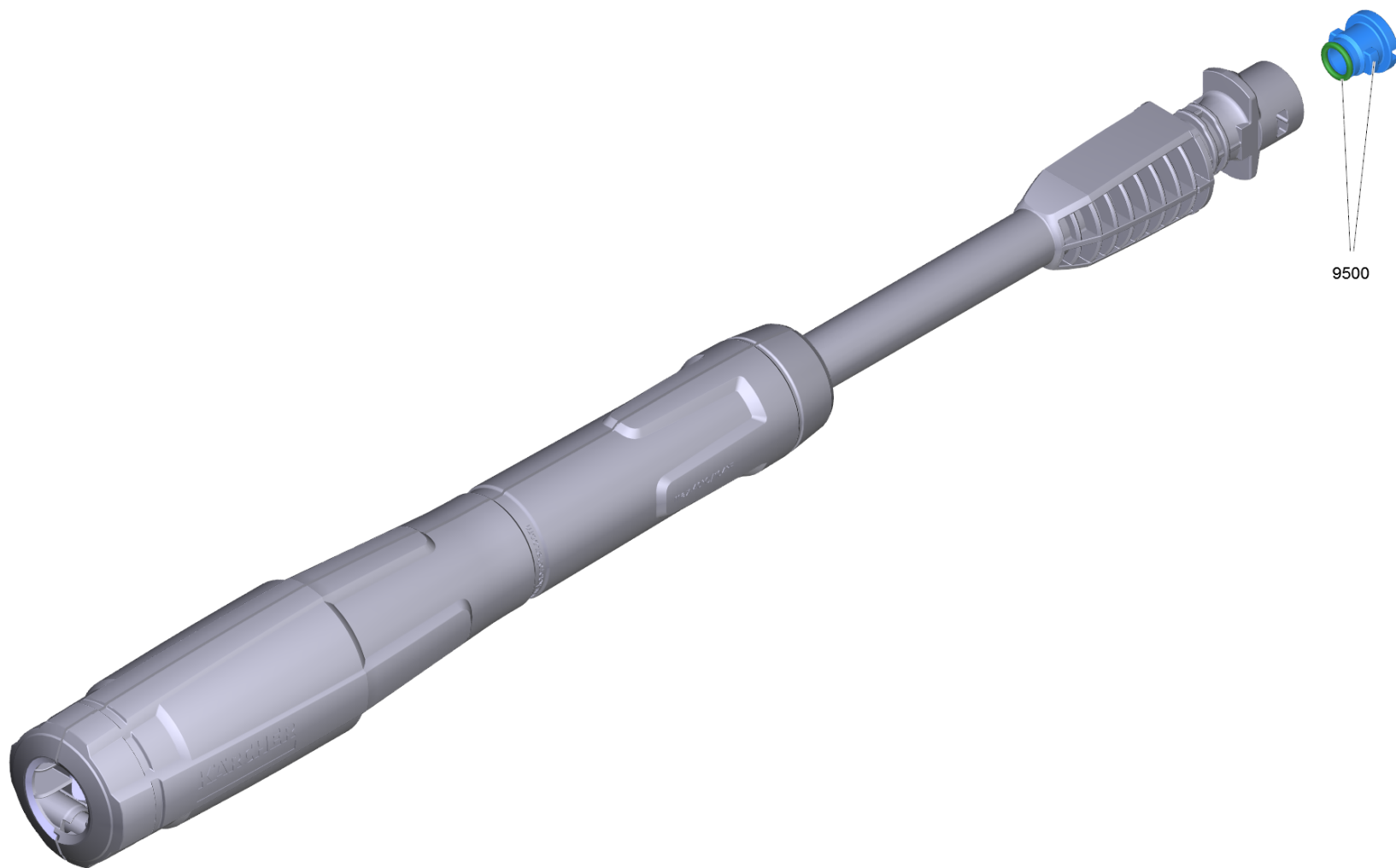
---



12 Dirt blaster 031 (4.764-289.0)

---

<b>POS</b>	<b>Article no.</b>	<b>Description</b>	<b>Quantity</b>	<b>Unit</b>
999	2.640-729.0	O-Ring seal set	1	PC



13 VP 145 Vario Power Jet (packaged) (2.642-725.0)

---

<b>POS</b>	<b>Article no.</b>	<b>Description</b>	<b>Quantity</b>	<b>Unit</b>
9500	2.640-729.0	O-Ring seal set	1	PC

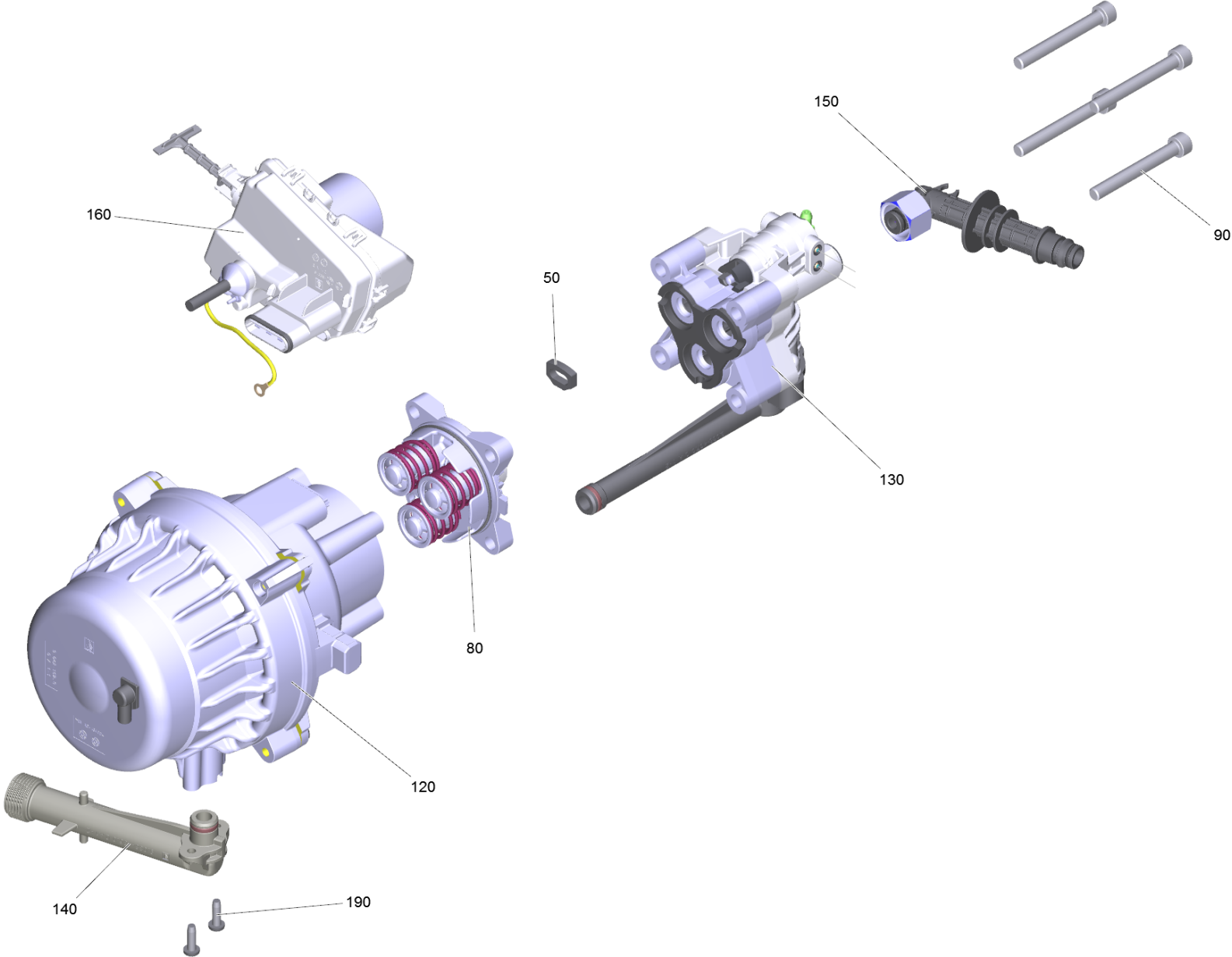
---



14 DB 145 rotor nozzle packaged (2.642-728.0)

---

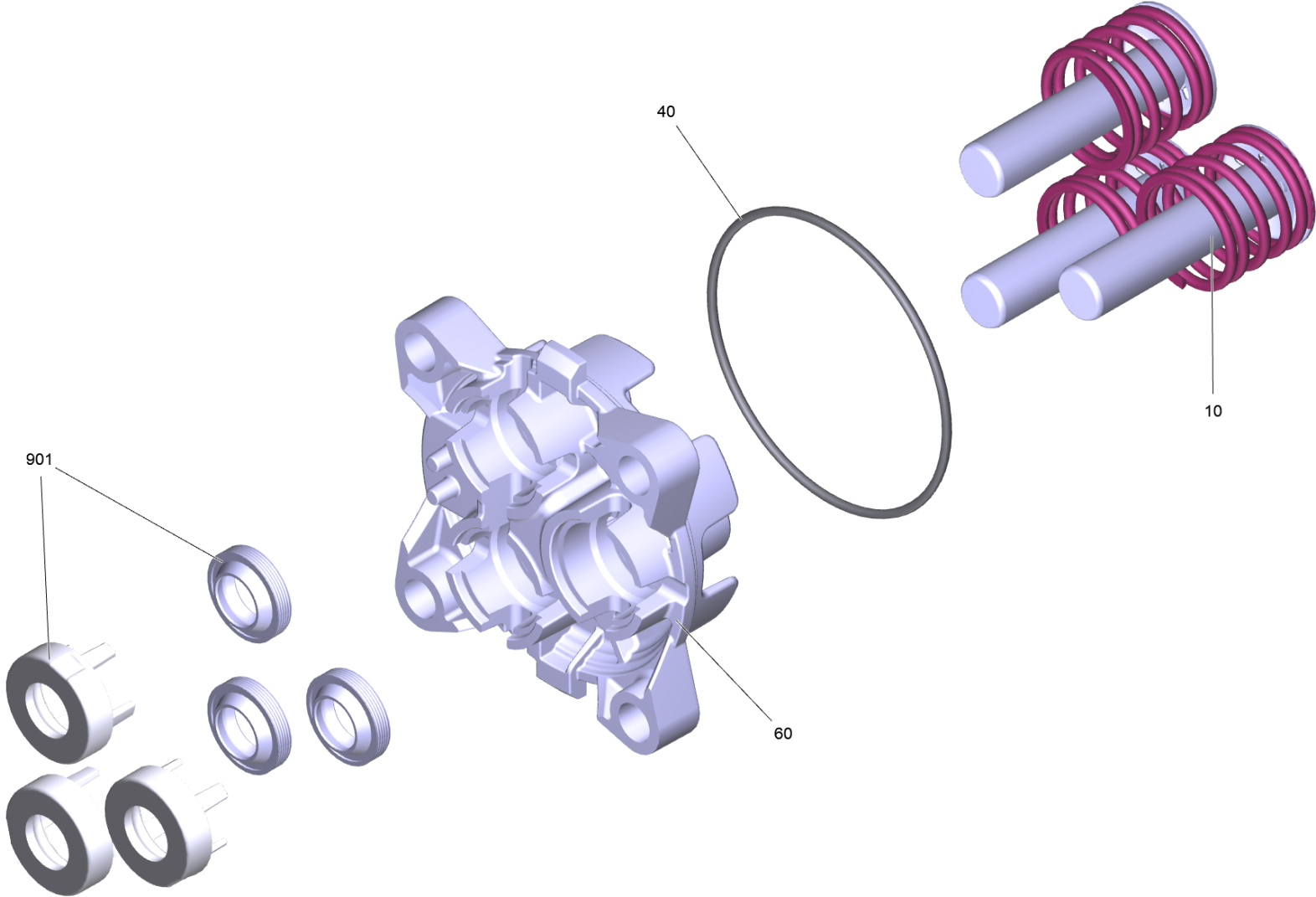
<b>POS</b>	<b>Article no.</b>	<b>Description</b>	<b>Quantity</b>	<b>Unit</b>
9500	2.640-729.0	O-Ring seal set	1	PC





109 Pump set K5 FC \*EU

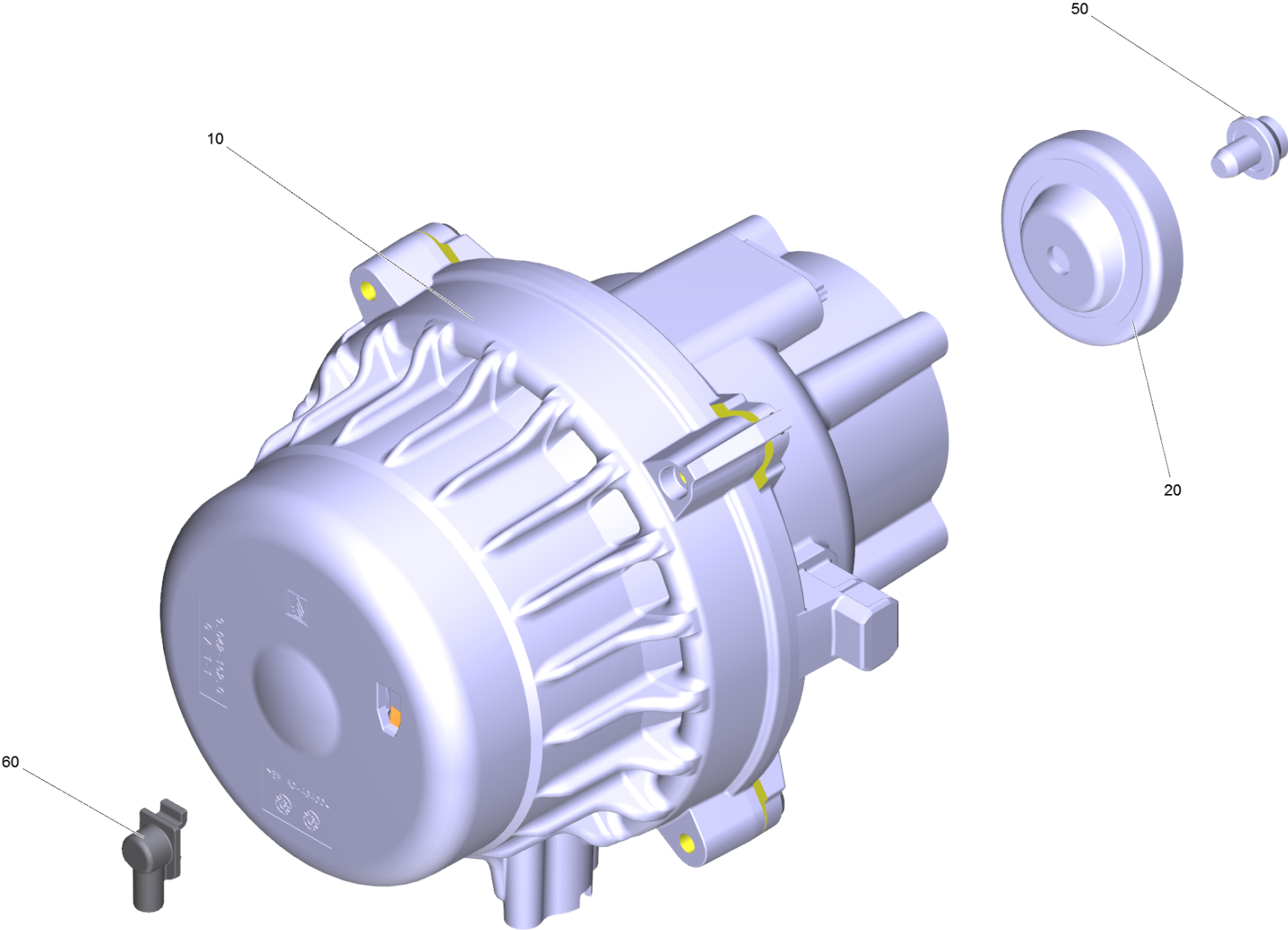
POS	Article no.	Description	Quantity	Unit
50	9.048-071.0	Spacer - Seal	1	PC
80		Thrust guidance FC/SCR K5	1	PC
90	7.306-151.0	Cylinder head screw M8x65 -8.8-A2E ISO4	4	PC
120	9.002-420.0	Motor complete K5 EU WCM 3 (ric)	1	PC
130		Pump cpl. FC K5	1	PC
140	9.002-432.0	Suction connection cpl FC + filter	1	PC
150	9.013-435.0	HP inner fitting K5 FC Al	1	PC
160	9.002-421.0	E-box K5 FC without PCB EU (ric)	1	PC
190	7.303-076.0	Sheet metal screw ST4,8X13 -St-R2R (In6	2	PC



## 80 Thrust guidance FC/SCR K5

---

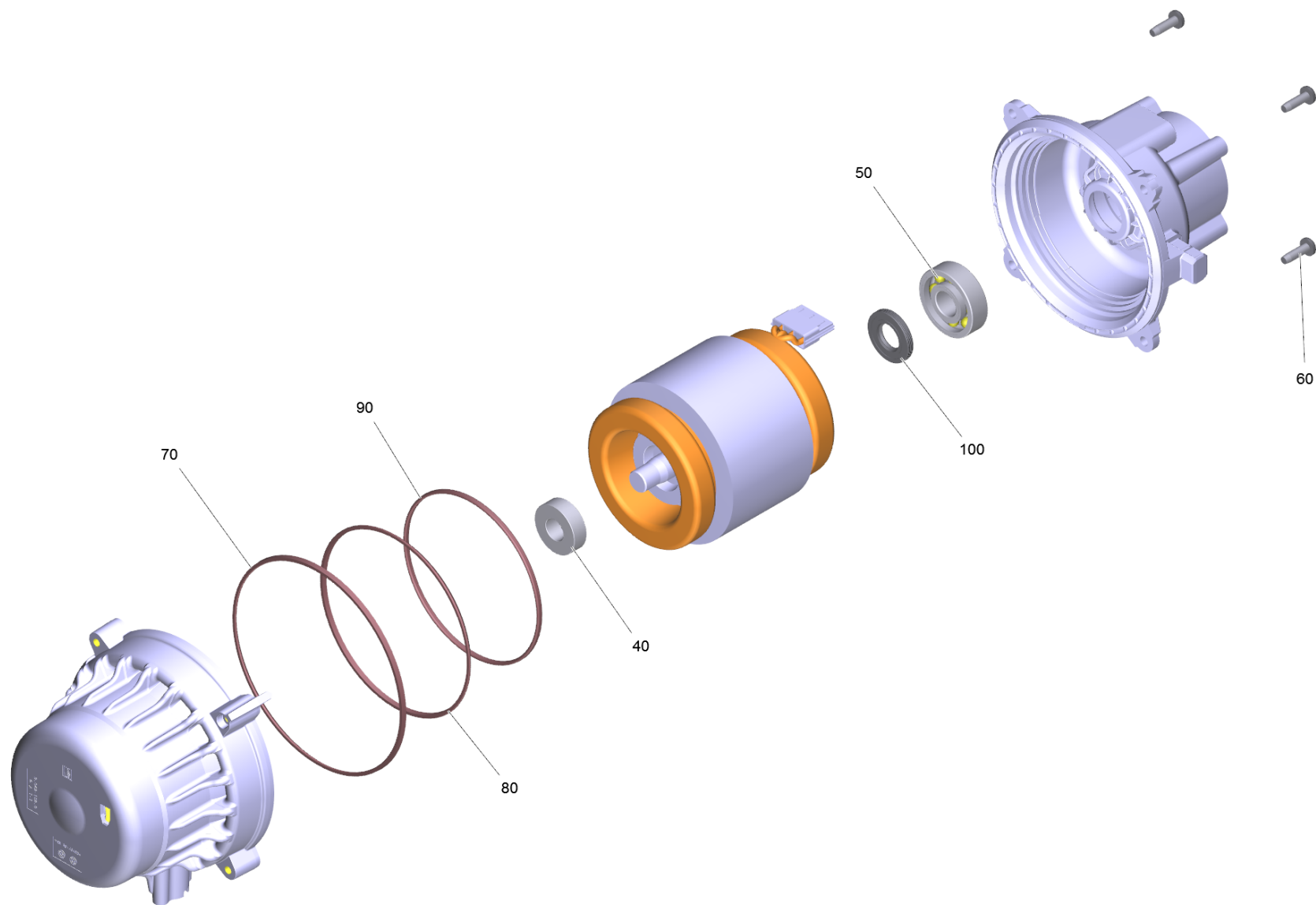
<b>POS</b>	<b>Article no.</b>	<b>Description</b>	<b>Quantity</b>	<b>Unit</b>
10	9.001-927.0	Piston complete	3	PC
40	9.080-425.0	O-Ring seal 60 x 2 NBR 70	1	PC
60	9.042-151.0	Pistons guide pump K5 FC machined	1	PC
901	4.100-832.0	Spare parts set seals	1	PC



120 Motor complete K5 EU WCM 3 (ric) (9.002-420.0)

---

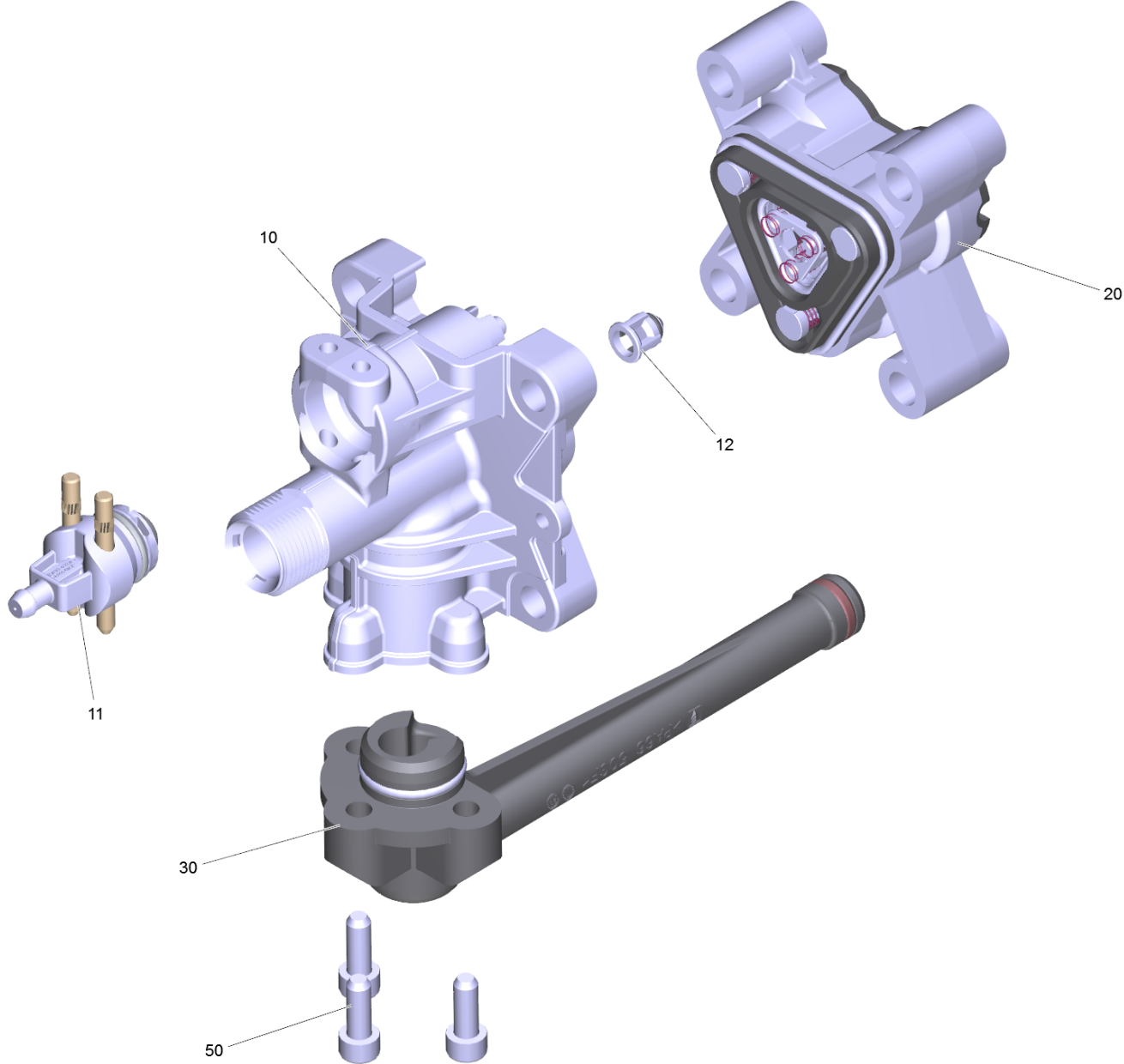
<b>POS</b>	<b>Article no.</b>	<b>Description</b>	<b>Quantity</b>	<b>Unit</b>
10		Motor complete K5 EU WCM 3/3.5	1	PC
20	9.001-671.0	Wobble plate	1	PC
50	9.086-205.0	Screw	1	PC
60	9.038-381.0	Dreinage pipe WCM 3/3.5	1	PC



## 10 Motor complete K5 EU WCM 3/3.5

---

<b>POS</b>	<b>Article no.</b>	<b>Description</b>	<b>Quantity</b>	<b>Unit</b>
40	4.401-198.0	Ball bearing 6202-2RS -Wälzl.St DIN 625	1	PC
50	7.401-010.0	Ball bearing 6303 St DIN 625-1	1	PC
60	7.306-092.0	Screw M6x20-ST- 8.8-R3R (IN6RD)	4	PC
70	9.080-503.0	O-ring d.113,0x3.0 EPDM 70	1	PC
80	9.080-504.0	O-Ring seal 124x3 EPDM 70	2	PC
90	9.080-505.0	O-Ring seal 142.2x3 EPDM 70	1	PC
100	9.078-021.0	Grooved ring 17x35x5	1	PC

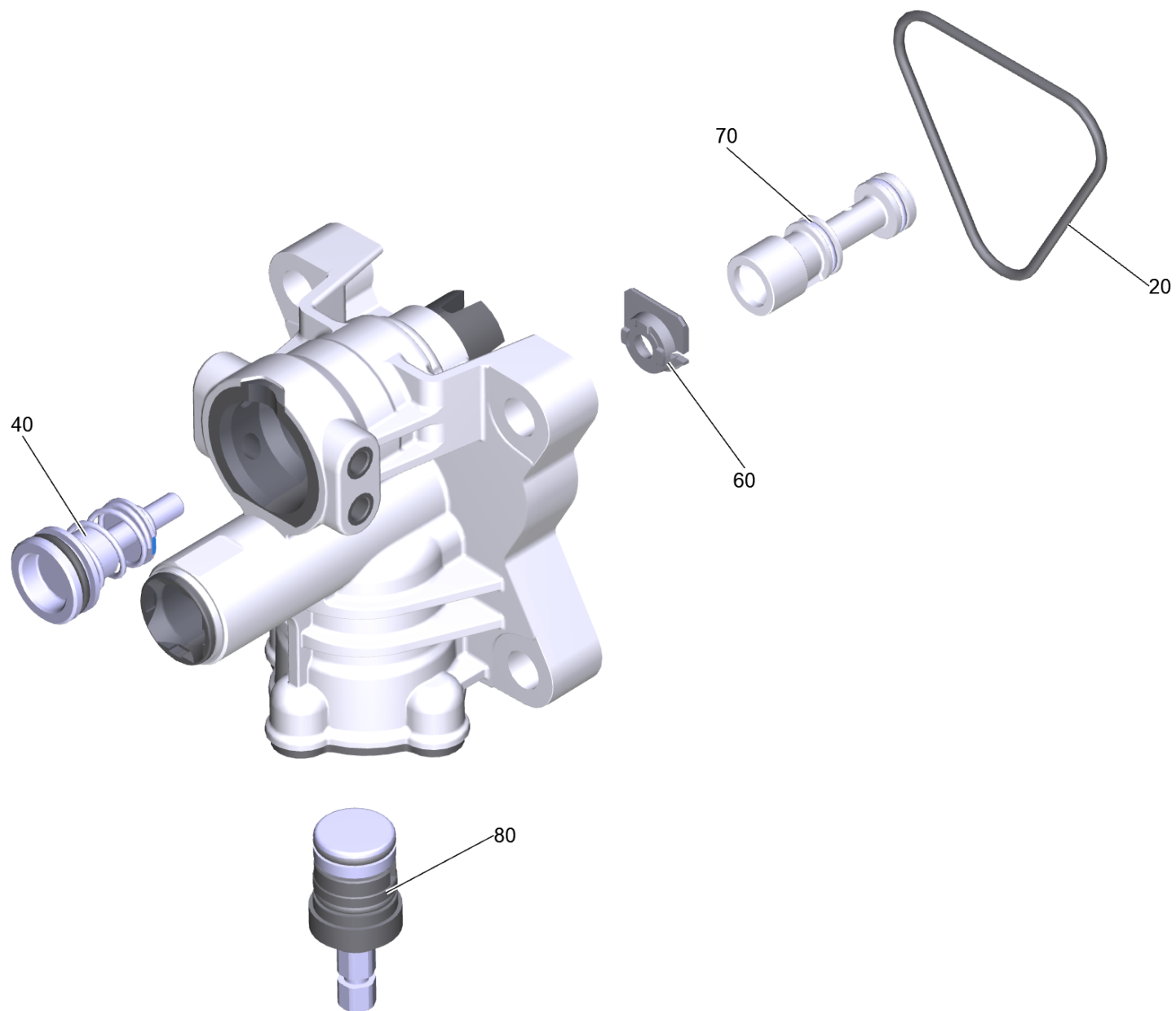




## 130 Pump cpl. FC K5

---

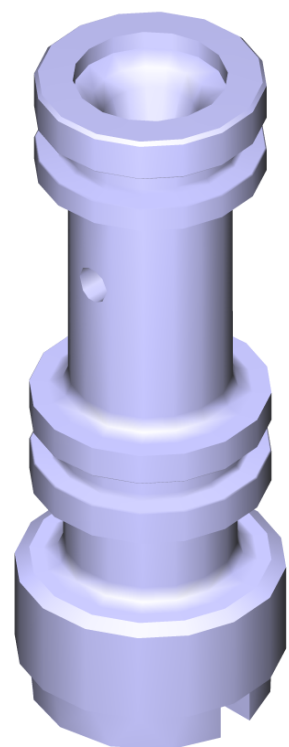
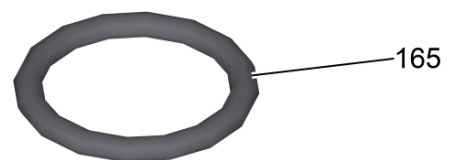
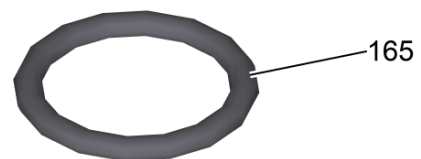
<b>POS</b>	<b>Article no.</b>	<b>Description</b>	<b>Quantity</b>	<b>Unit</b>
10	9.002-442.0	Spare parts set control head FC	1	PC
11	9.002-464.0	Spare parts set chemistry	1	PC
12	4.584-022.0	Valve pin complete	1	PC
20	9.002-456.0	Pump head Alu FC ric	1	PC
30	9.013-346.0	Manifold fitting K5 FC kpl	1	PC
50	9.086-199.0	Screw M6x16	3	PC



## 10 Spare parts set control head FC (9.002-442.0)

---

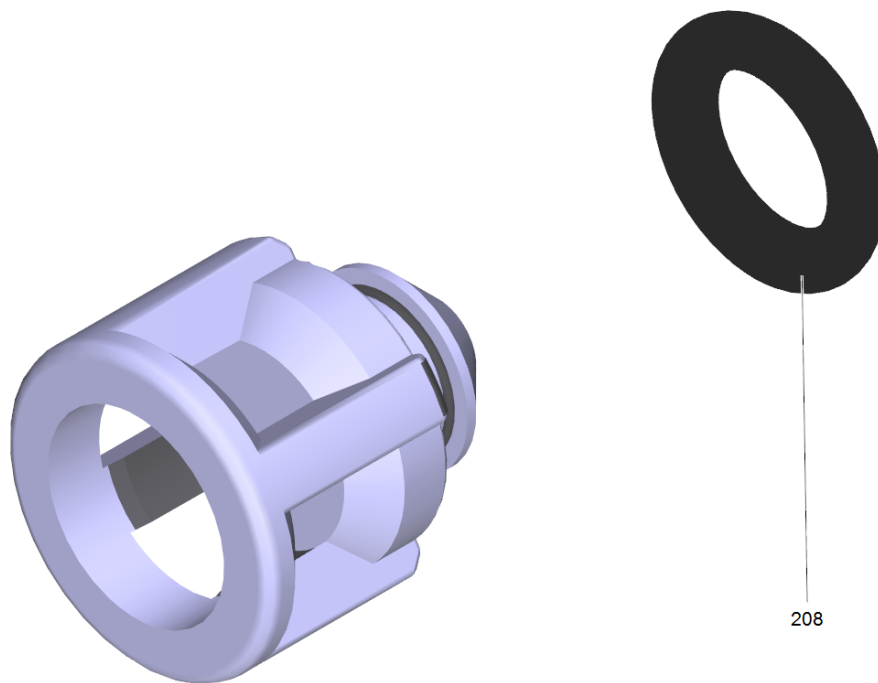
<b>POS</b>	<b>Article no.</b>	<b>Description</b>	<b>Quantity</b>	<b>Unit</b>
20	9.081-424.0	Form seal	1	PC
40	9.002-441.0	Pressure piston K5 FC	1	PC
60	9.038-530.0	Spacer E-box FC (spare)	1	PC
70	4.769-035.0	Nozzle insert	1	PC
80	9.002-164.0	plastic by pass (spare)	1	PC



70 Nozzle insert (4.769-035.0)

---

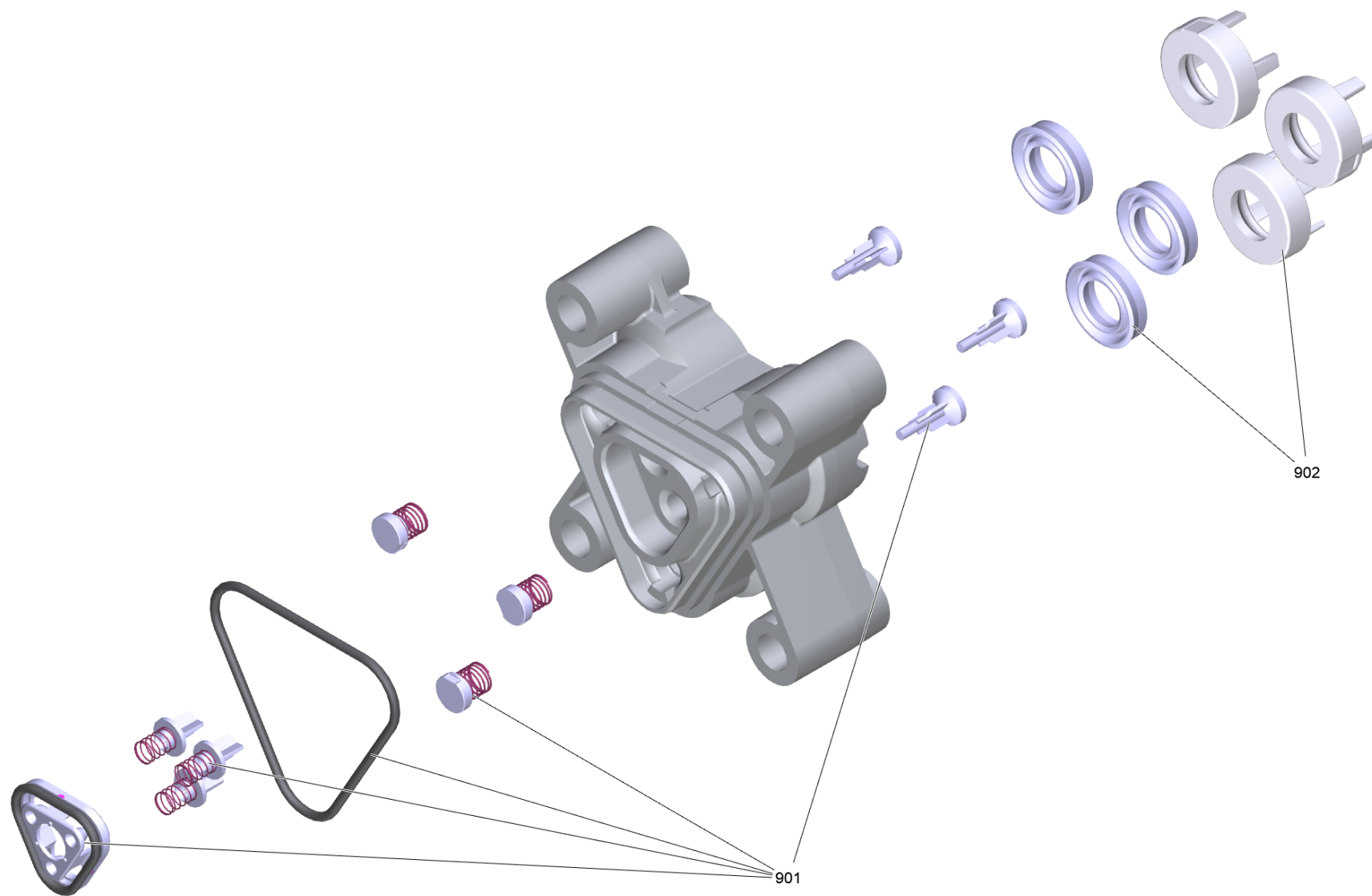
<b>POS</b>	<b>Article no.</b>	<b>Description</b>	<b>Quantity</b>	<b>Unit</b>
165	6.362-384.0	O-Ring seal 9x1,5 - NBR 70	2	PC



12 Valve pin complete (4.584-022.0)

---

<b>POS</b>	<b>Article no.</b>	<b>Description</b>	<b>Quantity</b>	<b>Unit</b>
208	6.363-613.0	O-Ring seal 4 x 2 -NBR90	1	PC

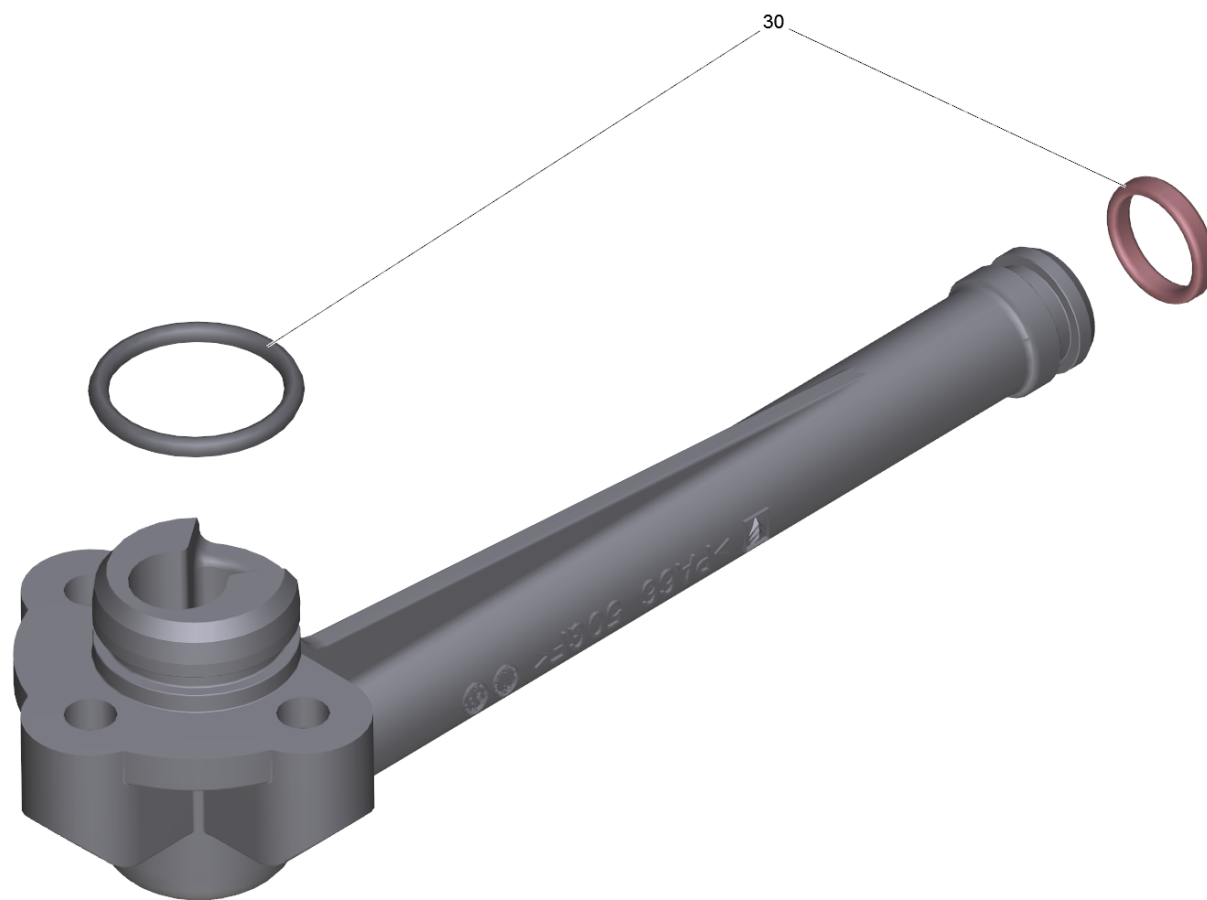




20 Pump head Alu FC ric (9.002-456.0)

---

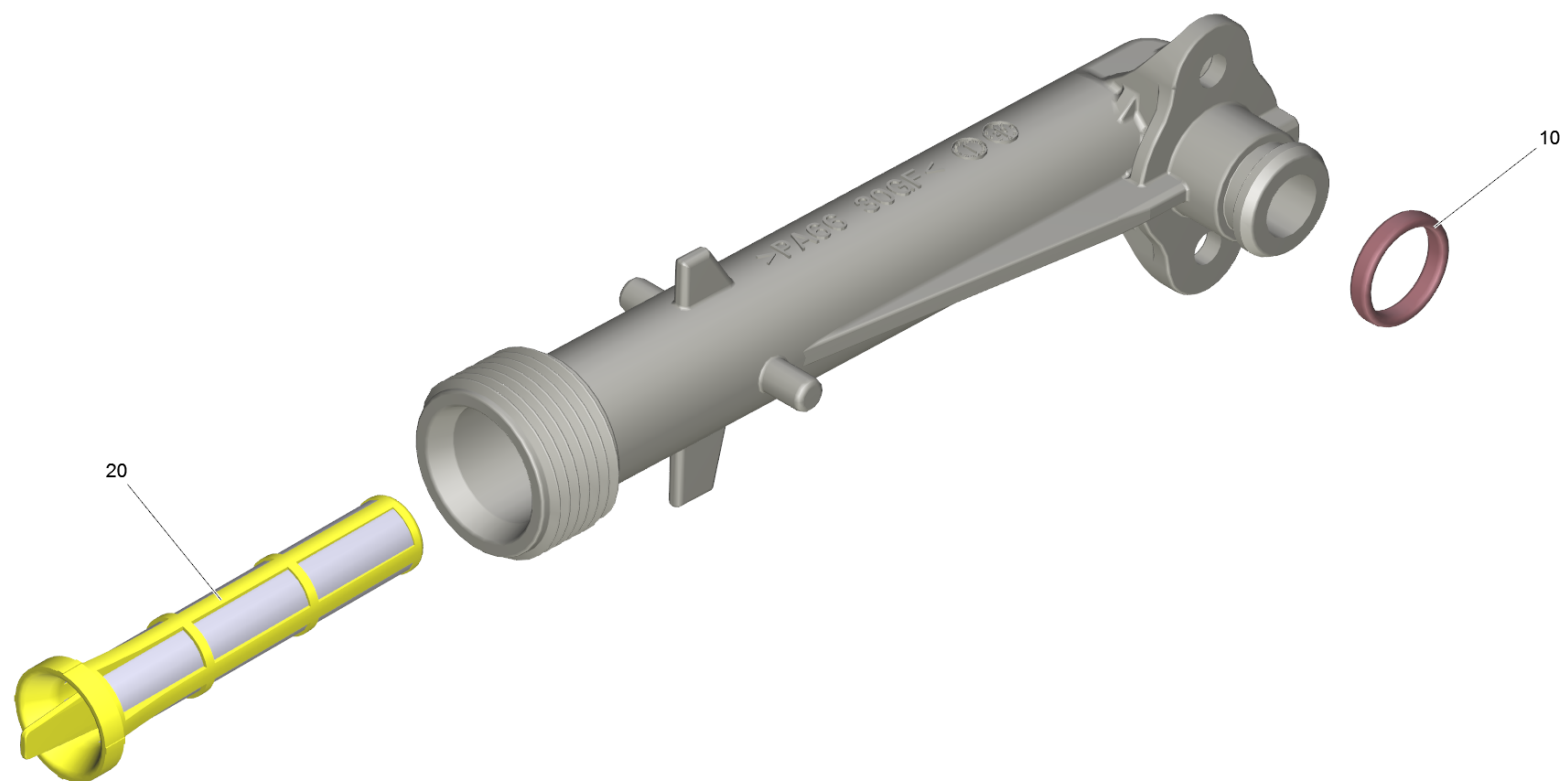
<b>POS</b>	<b>Article no.</b>	<b>Description</b>	<b>Quantity</b>	<b>Unit</b>
901	4.100-829.0	Spare parts set valves	1	PC
902	4.100-832.0	Spare parts set seals	1	PC



30 Manifold fitting K5 FC kpl (9.013-346.0)

---

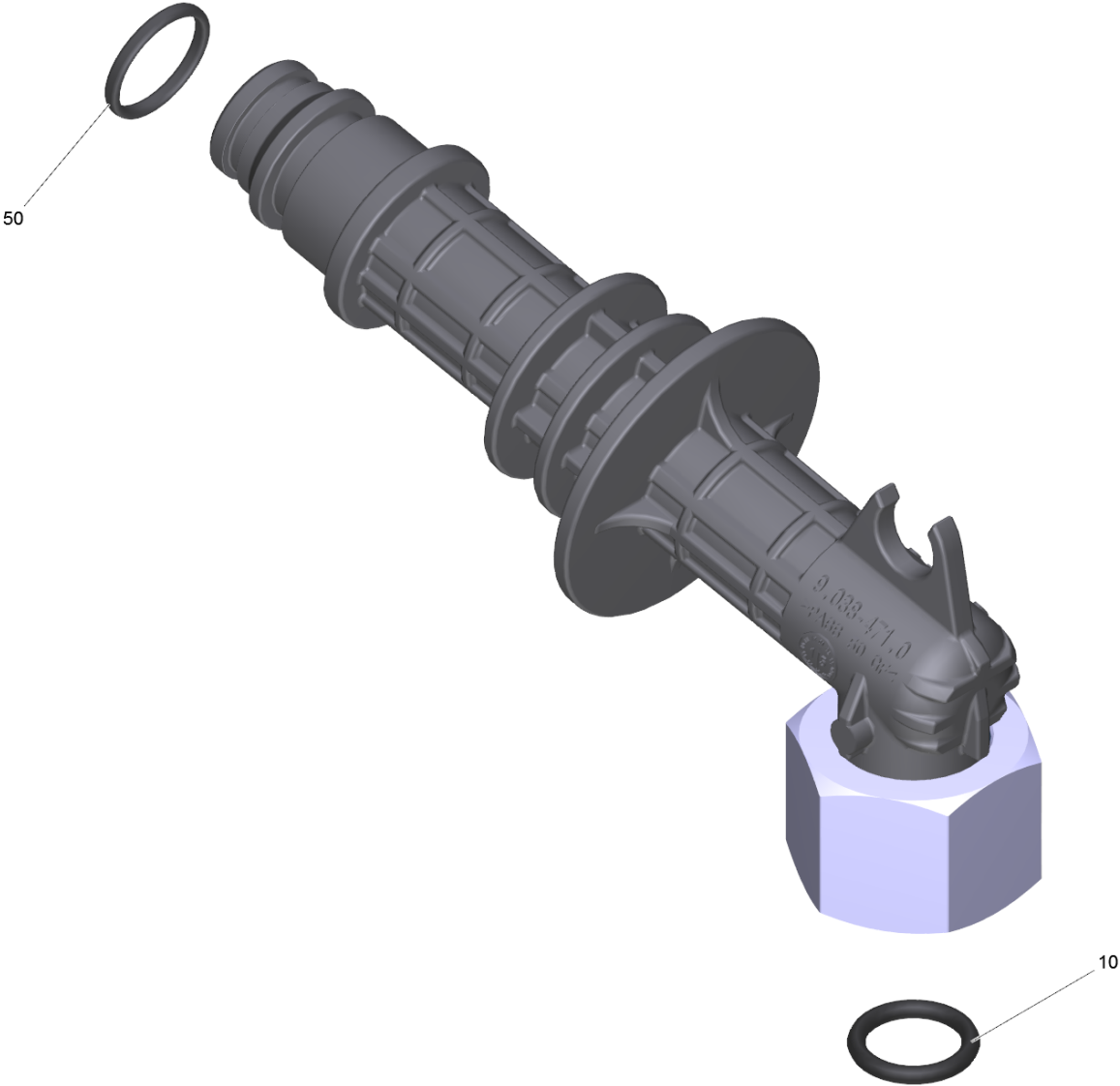
POS	Article no.	Description	Quantity	Unit
30	9.002-444.0	kIT O-ring Manifold fitting pump K5 FC	1	PC



140 Suction connection cpl FC + filter (9.002-432.0)

---

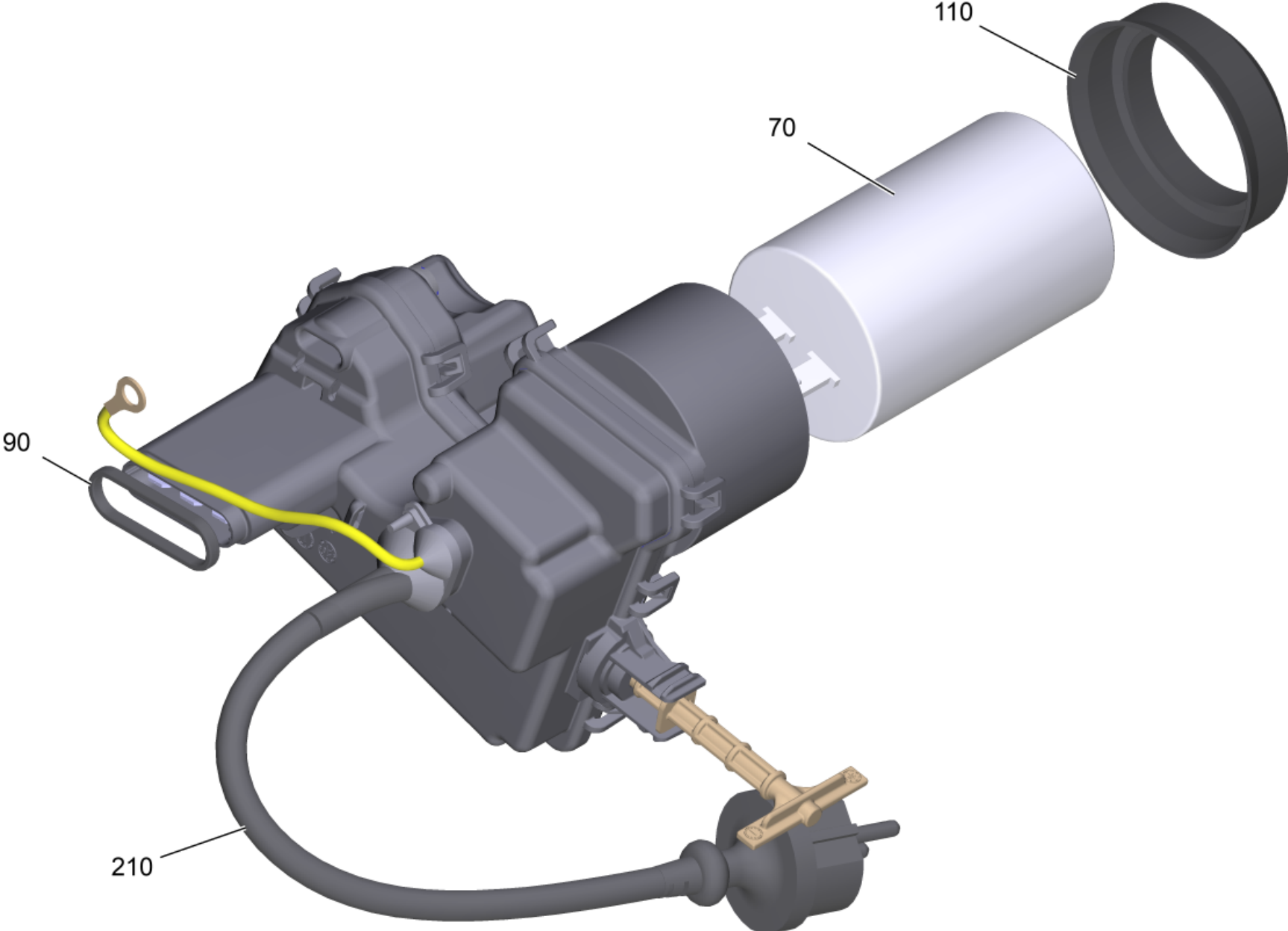
<b>POS</b>	<b>Article no.</b>	<b>Description</b>	<b>Quantity</b>	<b>Unit</b>
10	9.080-513.0	OR 12x2.1 EPDM 70 perox	1	PC
20	5.731-598.0	Fine filter long	1	PC



150 HP inner fitting K5 FC AI (9.013-435.0)

---

<b>POS</b>	<b>Article no.</b>	<b>Description</b>	<b>Quantity</b>	<b>Unit</b>
10	6.362-151.0	O-Ring d. 10 x 2 NBR 70	1	PC
50	9.080-422.0	O-RING 11,5X1,5 NBR 70	1	PC

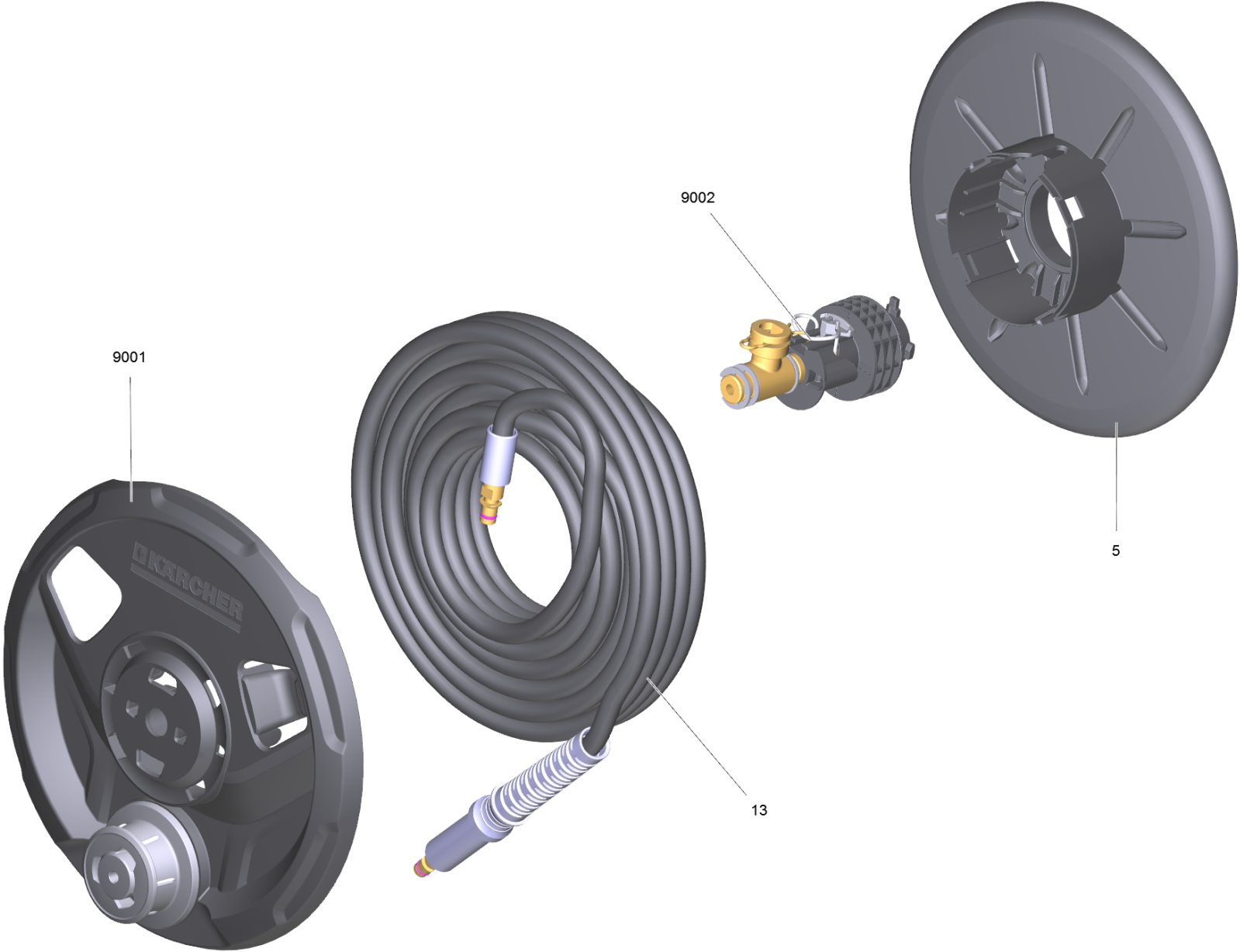




160 E-box K5 FC without PCB EU (ric) (9.002-421.0)

---

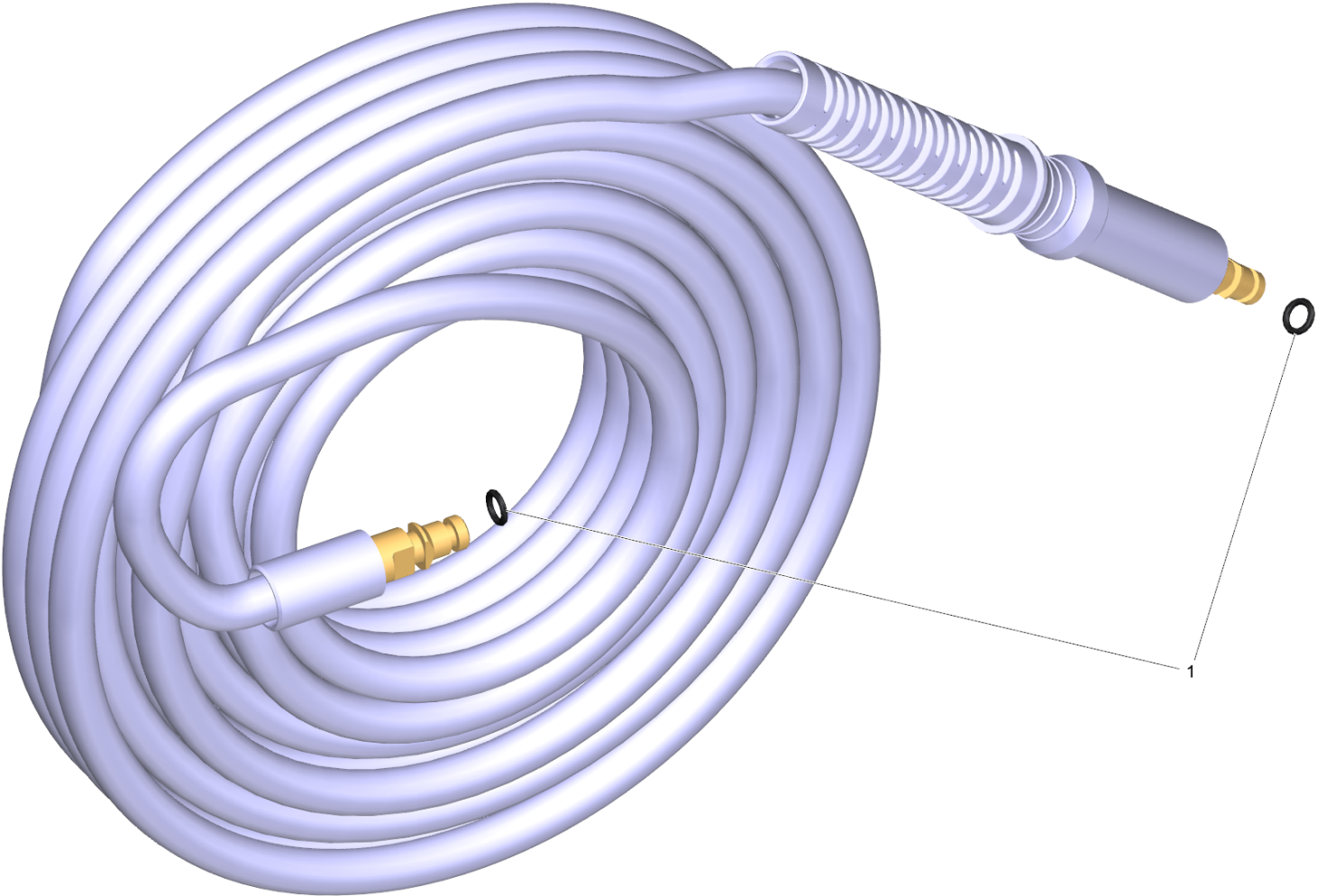
<b>POS</b>	<b>Article no.</b>	<b>Description</b>	<b>Quantity</b>	<b>Unit</b>
70	9.085-095.0	Capacitor 32uF	1	PC
90	9.080-494.0	OR 20x2 EPDM70ShA PTFE	1	PC
110	9.080-465.0	Joint ring capacitor d.45, 70 Shore	1	PC
210	9.084-369.3	Power cable 3G1 FC EU	1	PC



## 120 Hose reel FC 16MPa/6m

---

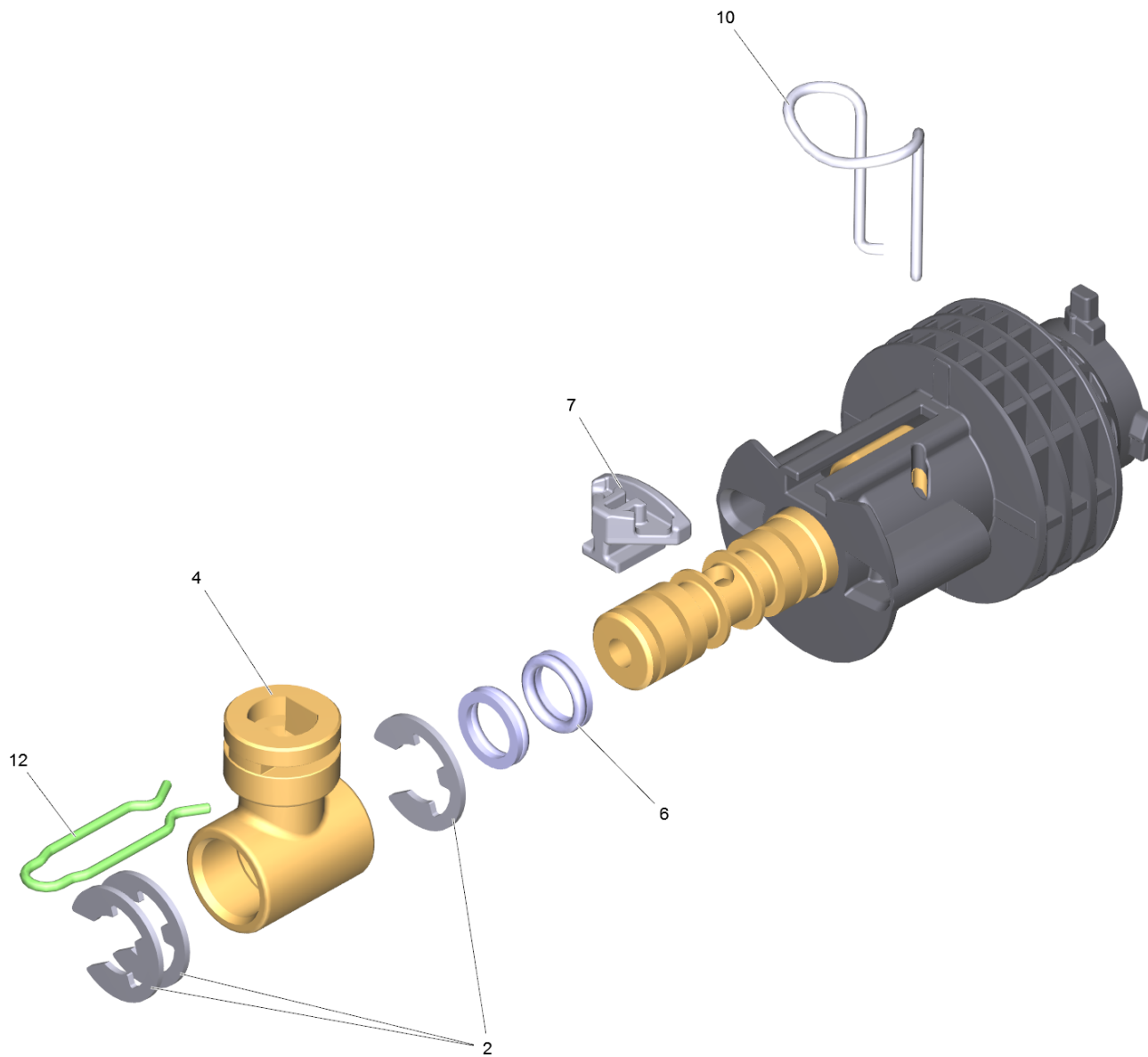
<b>POS</b>	<b>Article no.</b>	<b>Description</b>	<b>Quantity</b>	<b>Unit</b>
5	9.038-492.3	Hose reel inside	1	PC
13	2.643-633.0	H 10 Q HR high pressure hose	1	PC
9001	9.002-439.0	Kit handle+ hose reel external disk	1	PC
9002	9.002-440.0	Spare parts set hose reel	1	PC



13 H 10 Q HR high pressure hose (2.643-633.0)

---

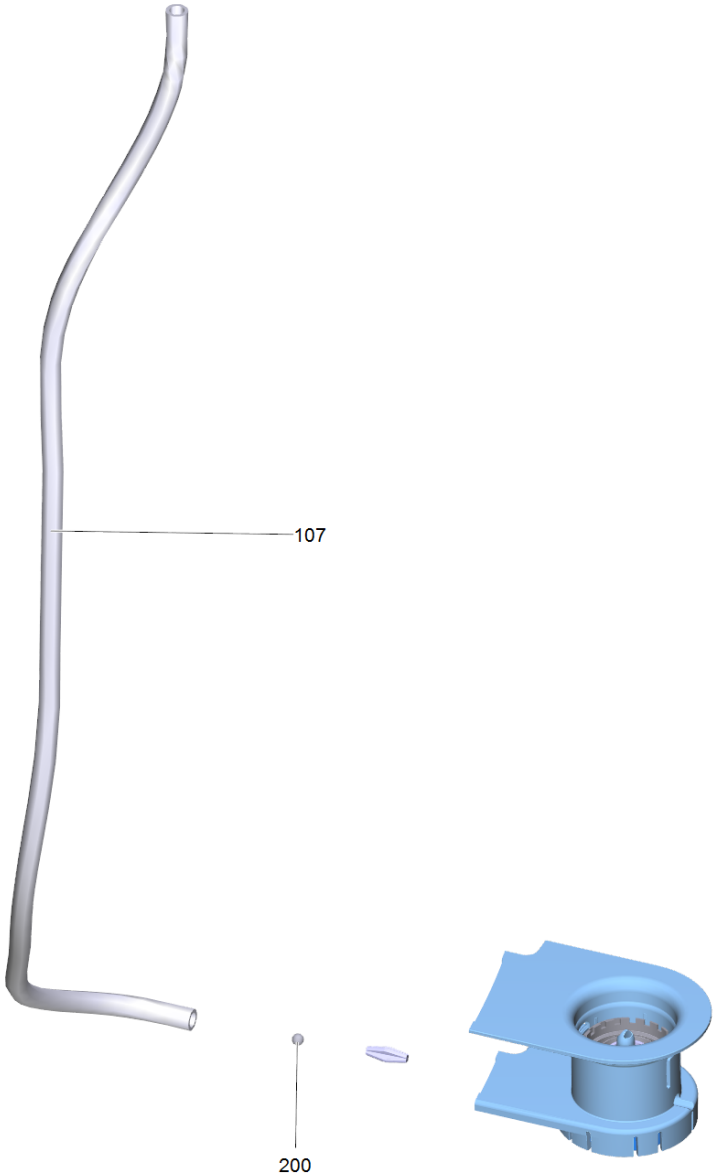
POS	Article no.	Description	Quantity	Unit
1	2.640-729.0	O-Ring seal set	1	PC



9002 Spare parts set hose reel (9.002-440.0)

---

<b>POS</b>	<b>Article no.</b>	<b>Description</b>	<b>Quantity</b>	<b>Unit</b>
2	7.343-306.0	Lock washer 12-St-A2E DIN 6799	3	PC
4	5.401-308.0	Rotary bushing	1	PC
6	6.363-628.0	O-Ring seal complete	1	PC
7	9.038-470.0	Hose reel FC QC Button	1	PC
10	9.047-117.0	Hose reel QC Clamp soft	1	PC
12	5.059-401.0	Clamp	1	PC

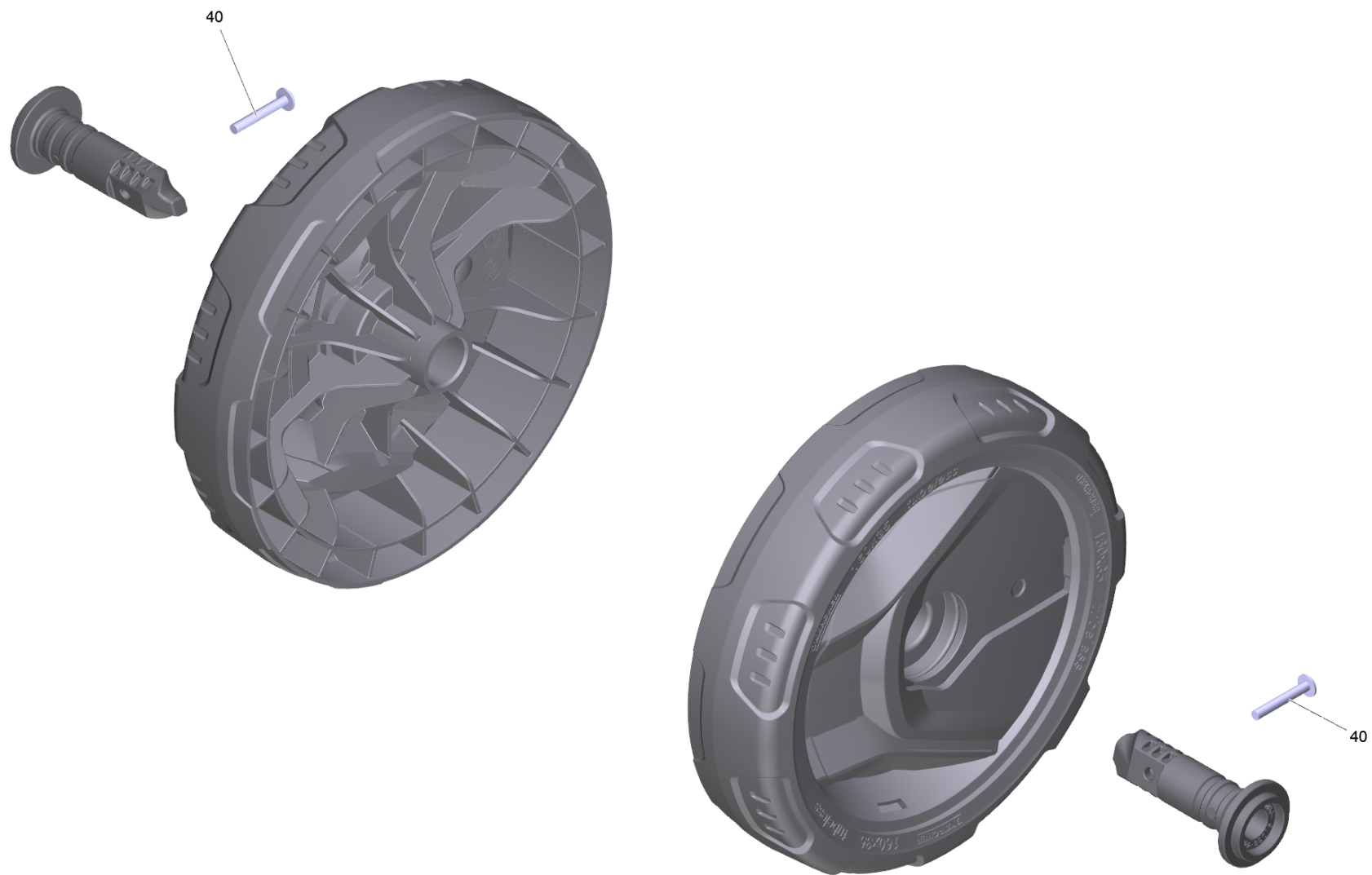




123 RM retainer station (9.012-681.0)

---

<b>POS</b>	<b>Article no.</b>	<b>Description</b>	<b>Quantity</b>	<b>Unit</b>	<b>Foot note text</b>
107	6.391-336.0	Hose	0,18	m	TO ORDER AS CUT GOODS
200	7.401-911.0	Sphere 4 -PP DIN 5401	1	PC	



131 Wheel in pairs FC 1K D160 (9.002-438.0)

---

<b>POS</b>	<b>Article no.</b>	<b>Description</b>	<b>Quantity</b>	<b>Unit</b>
40	9.086-221.0	Screw ATF 4.1x22	1	PC

---