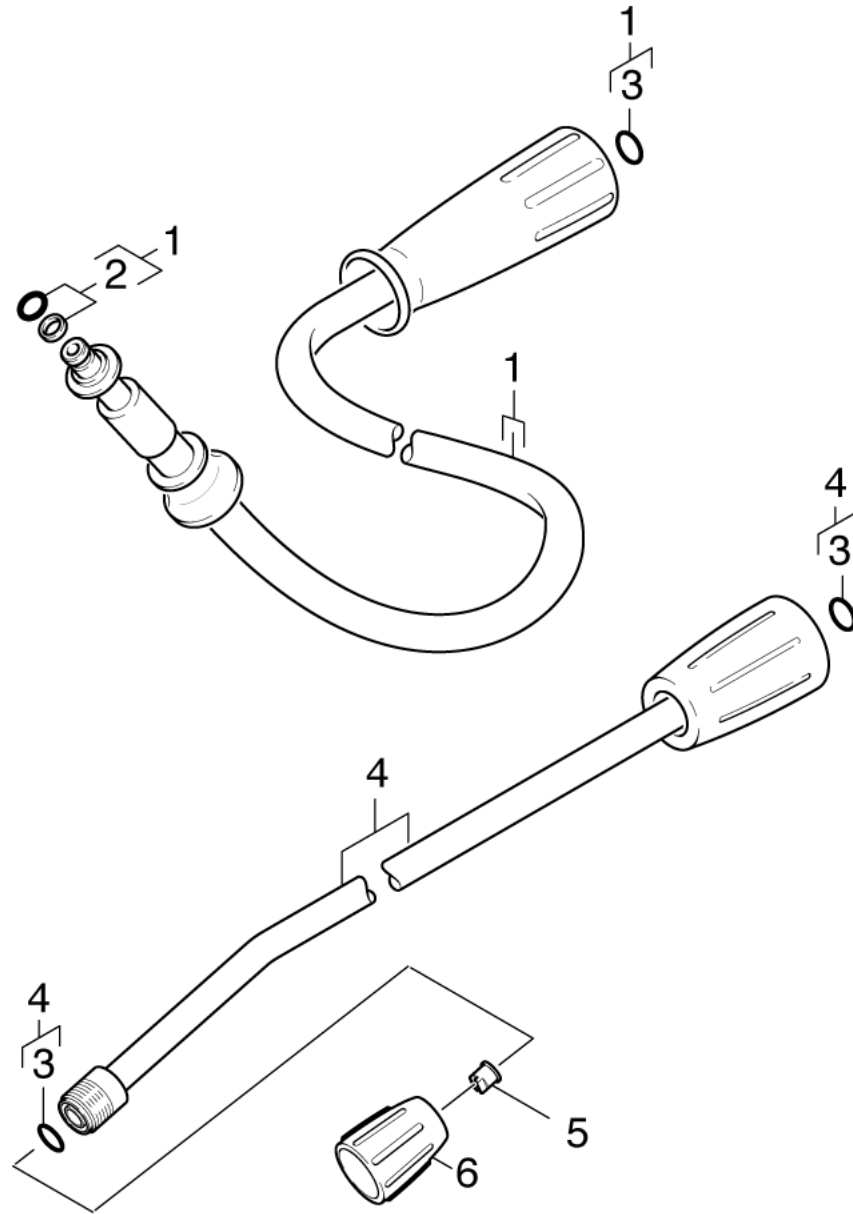


# 113 Jet pipe

Professional \ High pressure cleaner hotwater \ Electric motor \ HDS 698 C \*JP \ Spare parts list HDS 698 C \*J \ Accessories \ Jet pipe



## 113 Jet pipe

Professional \ High pressure cleaner hotwater \ Electric motor \ HDS 698 C \*JP \ Spare parts list HDS 698 C \*J \ Accessories \ Jet pipe



POS	Article no.	Description	Quantity	Unit
1	6.389-853.0	HIGH PRESSURE HOSE DN6 25MPa 10m	1.000	ST
4	4.760-665.0	Jet pipe packaged only for replacement	1.000	ST
2	6.363-115.0	O-Ring seal complete 1ST.-R.	1.000	ST
5	2.883-398.0	Power nozzle 25045	1.000	ST
6	5.401-129.0	Screw connector part	1.000	ST
3	2.880-990.0	Spare part set O-Ring 5x -Kaercher	1.000	ST