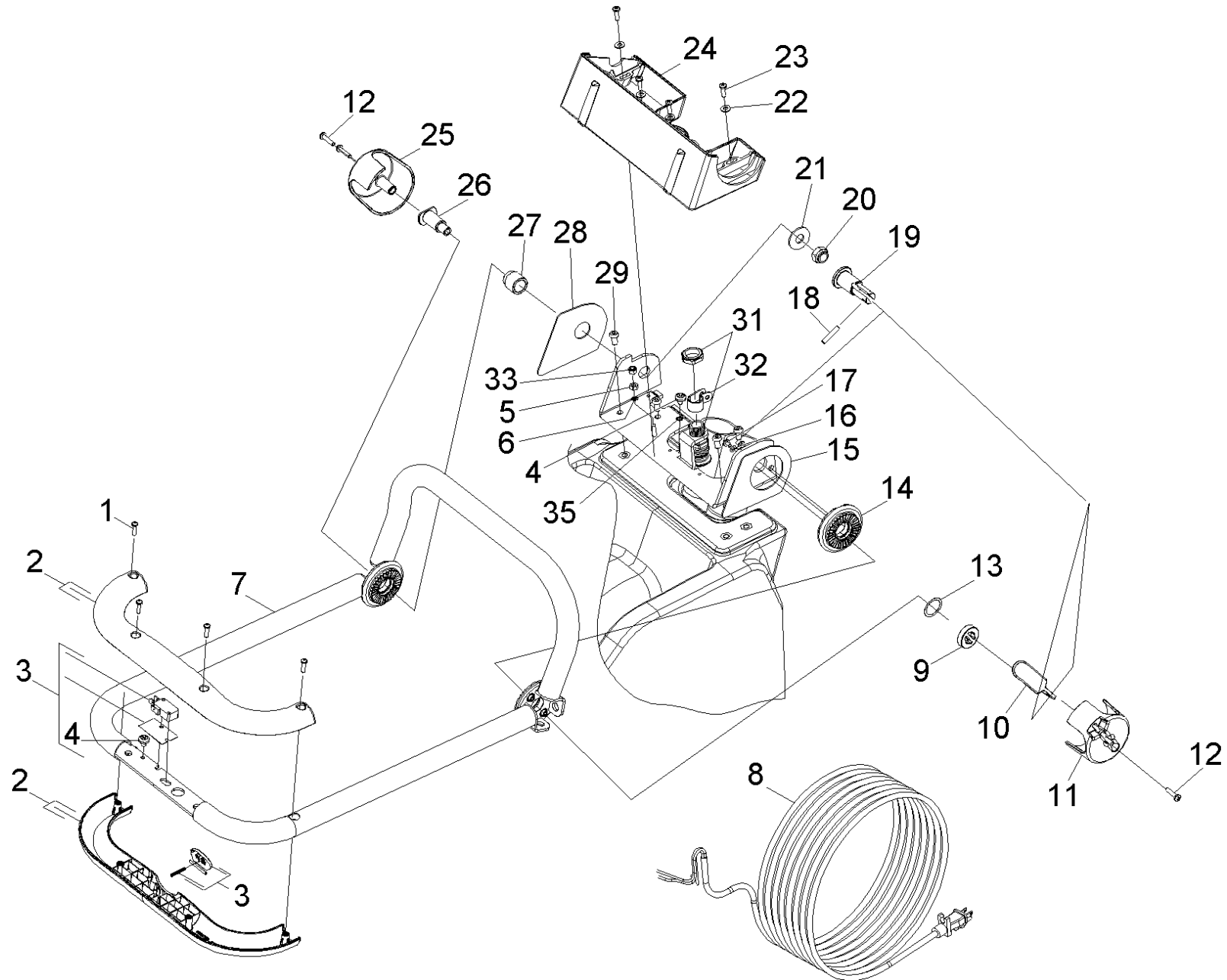


11 Handhold

Professional \ Floor cleaner \ Carpet cleaner \ BRC 30/15 C \ Spare parts list BRC 30/15C - Mini Pro \ Individual parts \ Handhold



11 Handhold

Professional \ Floor cleaner \ Carpet cleaner \ BRC 30/15 C \ Spare parts list BRC 30/15C - Mini Pro \ Individual parts \ Handhold

KÄRCHER

POS	Article no.	Description	Quantity	Unit
33	8.600-564.0	NUT, 10-32 HEX NYLOCK STL GR2 ZNPLT	1	PC
4	8.600-677.0	SCREW, 10-32 X .25 PHPNHTF STL ZNPLT	2	PC
6	8.601-064.0	Washer #10 LOCK EXT STAR SS	2	PC
35	8.601-064.0	Washer #10 LOCK EXT STAR SS	2	PC
23	8.617-287.0	SCREW, M4 X 14 PHMS SS ISO7045	4	PC
17	8.617-303.0	SCREW, M4 X 6 PNHMS ISO7045 ZNPLT	3	PC
1	8.617-314.0	SCREW, KA40 X 10 OVHCS STL WIN1412 ZNPLT	4	PC
29	8.617-322.0	SCREW, M6-1 X 12 FLGBTNHMS SS	4	PC
16	8.617-332.0	WASHER, M4 FLT SS DIN125	3	PC
24	8.621-735.0	Covering cap control panel	1	PC
25	8.621-738.0	Covering cap pipe right	1	PC
15	8.621-822.0	Seal switch box left	1	PC
28	8.621-823.0	Seal switch box right	1	PC
14	8.621-946.0	Hub handhold	1	PC
20	8.622-234.0	NUT, M12 LK SS ISO7040	1	PC
26	8.622-414.0	Shaft handhold	1	PC
27	8.622-446.0	Distance bush handhold	1	PC
31	8.622-493.0	STRAIN RELIEF, 14/3 STRAIGHT	1	PC
32	8.623-317.0	Clamp 3/8 NYLON UL/CSA	1	PC
21	8.625-943.0	WASHER, M12 FLT	1	PC
5	8.627-080.0	NUT, 10-32 HEX SS	1	PC
12	8.627-760.0	SCREW, M4 X 20 PHMS SS ISO7045	3	PC
22	8.628-868.0	WASHER, M5 RIVET BACKUP	4	PC
8	8.628-885.0	CORD ASM, AB EURO	1	PC
9	8.629-255.0	BUSHING, HANDLE LOCK	1	PC
19	8.629-256.0	SHAFT, HANDLE LOCK	1	PC
10	8.629-661.0	LEVER, CAM HANDLE	1	PC
13	8.629-662.0	WASHER, .M19.8 X 25 X .2 STL ZNPLT	1	PC
18	8.629-663.0	PIN, DOWEL M5 X 25 STL ZNPLT	1	PC
7	8.629-879.0	WELMENT, HANDLE TUBE	1	PC
2	8.630-857.0	KIT, HANDLE GRIP	1	PC
3	8.630-862.0	Set micro switch	1	PC
11	8.634-714.0	Covering cap pipe	1	PC