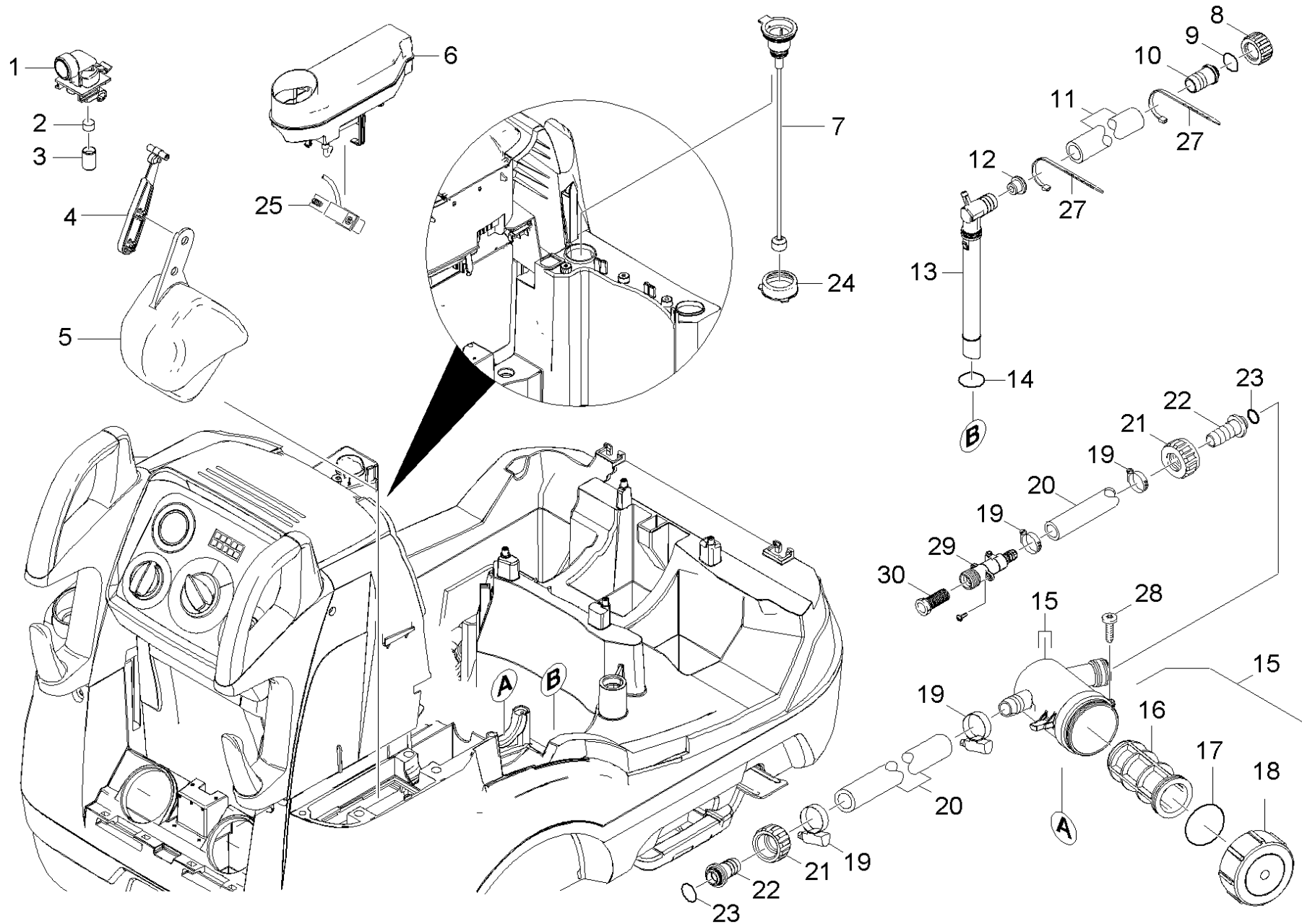


# 81 Float valve

Professional \ High pressure cleaner hotwater \ Electric motor \ HDS 8/17-4M Classic \*EU \ Spare parts list HDS 8/17-4M \ Float valve \ Float valve



# 81 Float valve

Professional \ High pressure cleaner hotwater \ Electric motor \ HDS 8/17-4M Classic \*EU \ Spare parts list HDS 8/17-4M \ Float valve \ Float valve



POS	Article no.	Description	Quantity	Unit	Foot note text
12	5.112-193.0	Bush	1.000	ST	
27	6.641-474.0	Cable tape 8-210	2.000	ST	
13	5.443-553.0	Connection piece	1.000	ST	
18	5.064-107.0	Cover	1.000	ST	
16	6.414-681.0	Filter cartridge	1.000	ST	
15	4.730-124.0	Filter complete	1.000	ST	
2	5.364-095.0	Flat gasket	1.000	ST	
5	5.585-030.0	Float	1.000	ST	
19	7.373-022.0	Hose clip A-16-27x9 -W2-2 DIN3017	4.000	ST	
20	6.388-719.0	Hose DN17	1.000	M	TO ORDER AS CUT GOODS
22	5.443-224.0	Hose stem	2.000	ZST	
10	5.443-312.0	Hose stem	1.000	ST	
7	4.747-097.0	Level probe -nur für Ersatz-	1.000	ST	
4	5.481-256.0	Lever	1.000	ST	
29	5.427-432.0	Manifold	1.000	ST	
8	5.310-062.0	Nut	1.000	ST	
21	5.310-061.0	Nut R 3/4"	2.000	ST	
9	6.362-078.0	O-Ring seal 13,3x2,4	1.000	ST	
23	6.362-078.0	O-Ring seal 13,3x2,4	2.000	ST	
14	6.362-161.0	O-Ring seal 19,3 X 2,4	1.000	ST	
11	6.391-612.0	Piece of tube only for replacement	1.000	ST	TO ORDER AS CUT GOODS
24	5.365-289.0	Rubber bushing transmitter feeder	1.000	ST	
28	7.303-108.0	Screw 5x20 -10.9-R2R (In6Rd)	1.000	ST	
17	5.363-613.0	Seal	1.000	ST	
25	4.686-030.0	Solenoid valve only for replacement	1.000	ST	
30	6.414-141.0	Strainer	1.000	ST	
26	4.070-905.0	Tank only for replacement	1.000	ST	
	<b>Item text1:</b> 1.077-606.0				
6	4.070-905.0	Tank only for replacement	1.000	ST	
	<b>Item text1:</b> 1.077-601.0 /-604.0 /-605.0 /-651.0				
	<b>Item text2:</b> -652.0				
1	5.587-214.0	Valve housing	1.000	ST	
3	5.584-085.0	Valve pin	1.000	ST	