

Spare parts list

(1.520-141.0) HD 5/15 CX Plus*EU

Table of contents

HD 5/15 CX Plus*EU (1.520-141.0)	4
Spare parts list high-pressure 5/15 CX P (5.972-473.0)	5
10 Housing	6
11 Housing	7
12 Hand grip and wheels	9
13 Hose reel	11
3 Set (4.515-104.0)	13
20 Pump set	15
21 Cylinder head	16
1 Control piston complete replacement (2.885-408.0)	18
10 Cylinder head complete brass (4.550-942.0)	21
17 Valve pin complete (4.584-022.0)	23
19 Nozzle insert (4.769-035.0)	25
22 Plug complete (4.580-702.0)	27
100 Pump set HDC (2.885-377.0)	30
11 Valve pin complete (4.584-022.0)	32
22 Piston guidance	34
5 Piston guidance for replacement (2.060-000.0)	36
30 Motor	38
7 Motor for replacement HD 5/17 (4.624-227.0)	40
40 Accessories	42
41 Hand trigger gun	43
1 HAND TRIGGER GUN EASY PRESS (4.775-463.0)	45
9002 Lever complete (4.481-209.0)	47
4 Lever complete (4.481-209.0)	49
41 Hand trigger gun	51
4 Lever complete (4.481-209.0)	53
42 High pressure hose	55
43 Jet pipe	57
1 Jet pipe packaged only for replacement (4.760-663.0)	59
44 Triple jet nozzle	61
Triple jet nozzle only for replacement 0	63
2 Spare parts list triple jet nozzle (5.970-837.0)	64
10 Triple jet nozzle plastics	65
20 Triple jet nozzle brass	67
45 Dirt blaster	69
50 Electric box	71
1 Spare parts set electric box complete HD (2.885-375.0)	73

9 Cable with plug *EU (6.650-201.0)

75

HD 5/15 CX Plus*EU (1.520-141.0)

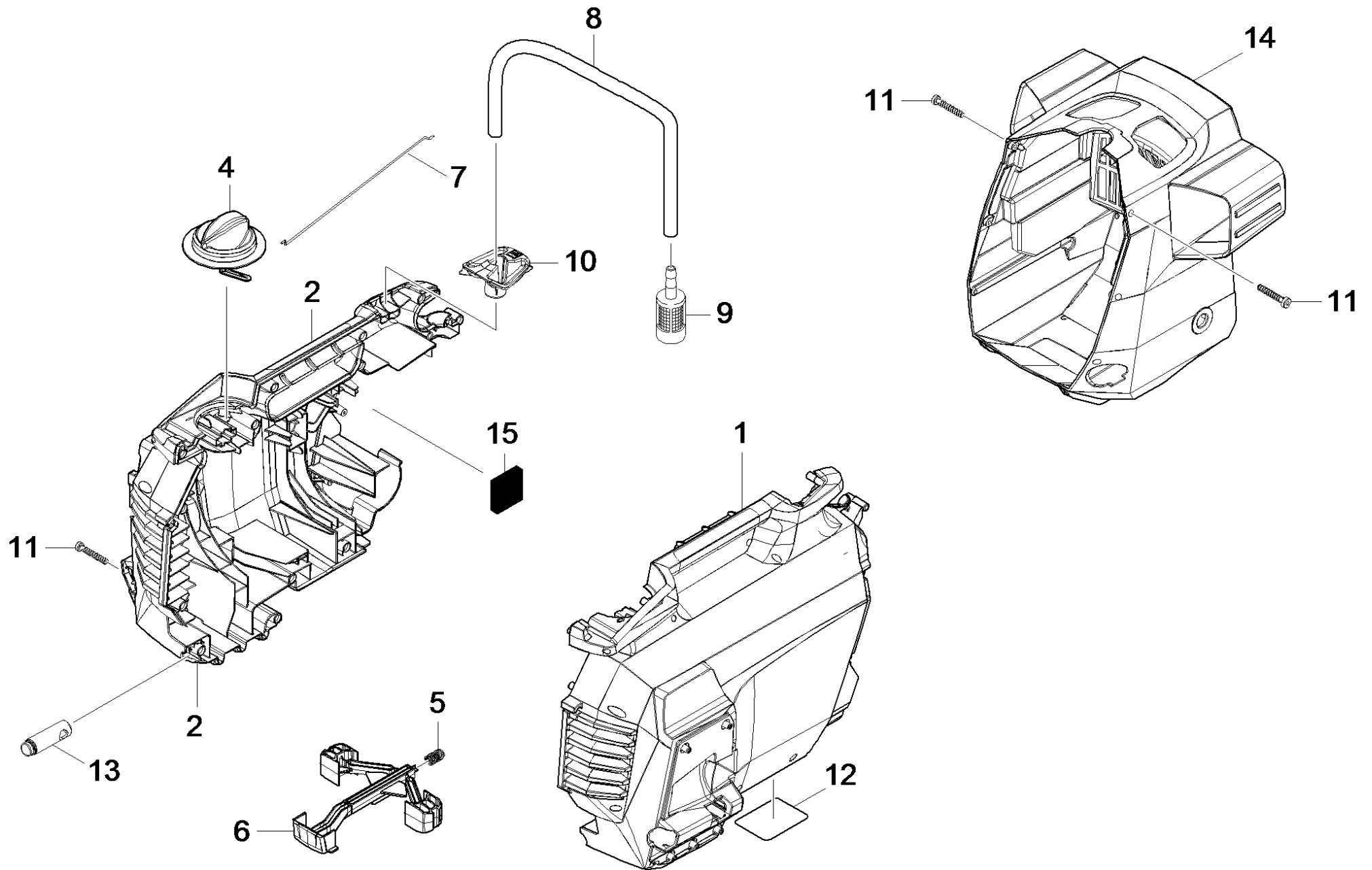
POS	Article no.	Description	Quantity	Unit
0	5.972-473.0	Spare parts list high-pressure 5/15 CX P	1.000	ST

Spare parts list high-pressure 5/15 CX P (5.972-473.0)

POS	Description	Quantity	Unit
40	Accessories	1.000	ST
50	Electric box	1.000	ST
10	Housing	1.000	ST
30	Motor	1.000	ST
20	Pump set	1.000	ST

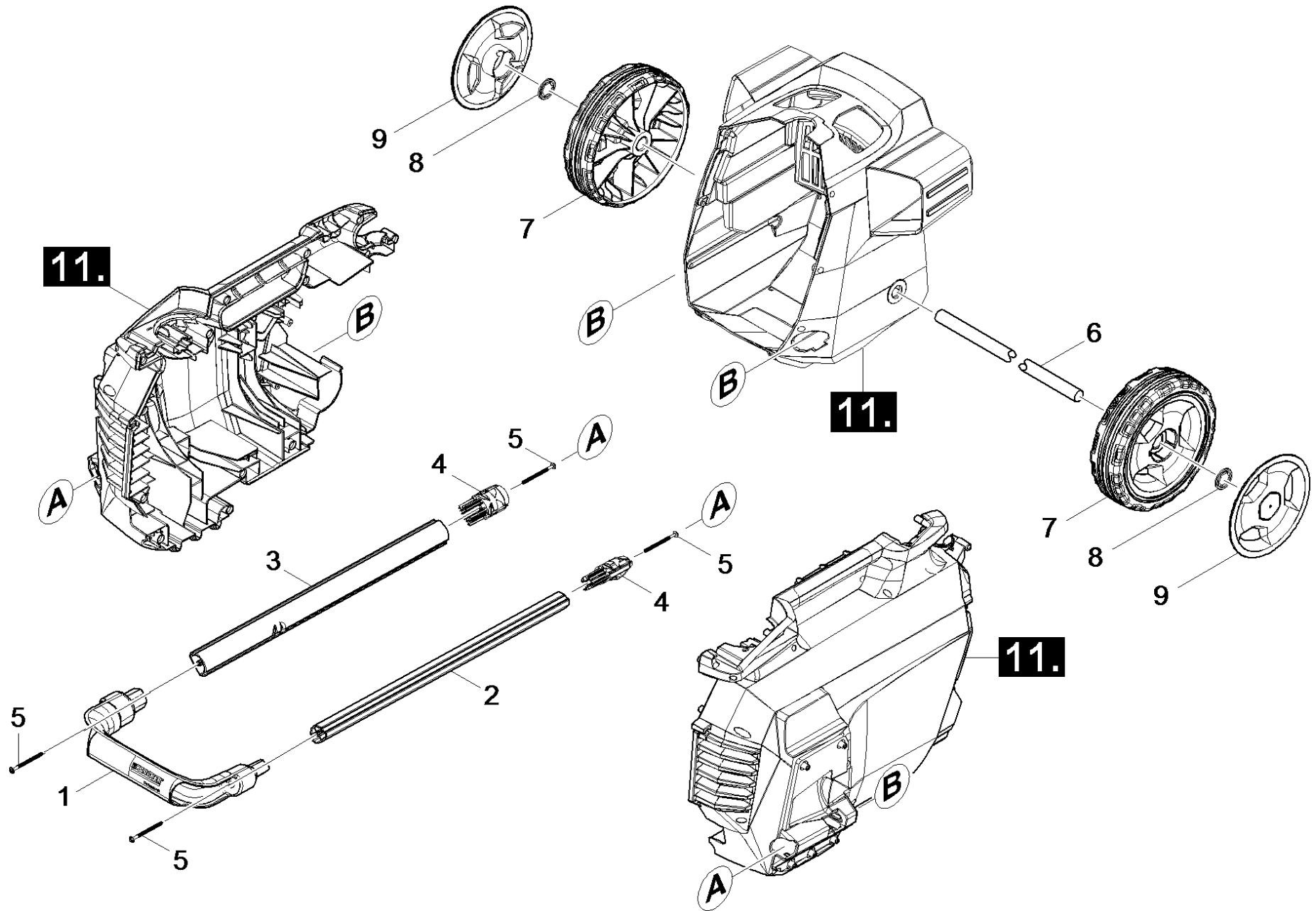
10 Housing

POS	Description	Quantity	Unit
12	Hand grip and wheels	1.000	ST
13	Hose reel	1.000	ST
11	Housing	1.000	ST



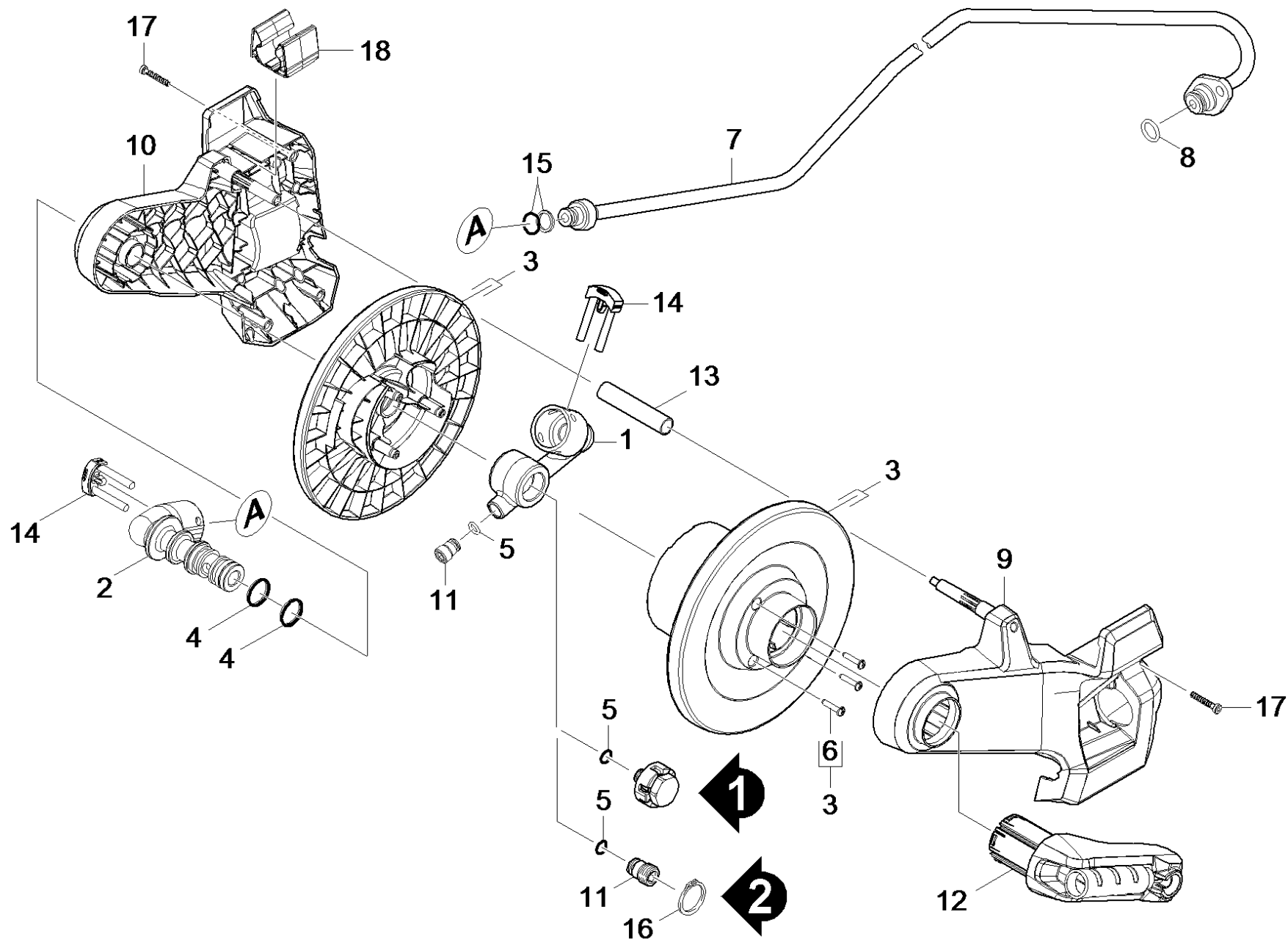
11 Housing

POS	Article no.	Description	Quantity	Unit	Foot note text
10	5.645-841.0	Cover cleaning agents	1.000	ST	
9	4.862-225.0	Filter chemistry regulation	1.000	ST	
4	4.324-057.0	Handle complete	1.000	ST	
5	5.332-001.0	Helical spring	1.000	ST	
3	5.645-709.0	Holder jet pipe	1.000	ST	
8	6.388-216.0	Hose DN 5	1.000	M	TO ORDER AS CUT GOODS
2	5.645-878.0	Housing above right HD-C	1.000	ST	
14	5.645-653.0	Housing bottom X	1.000	ST	
1	5.645-651.3	Housing left for replacement	1.000	ST	
6	5.645-675.0	Locking part	1.000	ST	
13	5.645-852.0	Retainer accessories	1.000	ST	
11	6.303-566.0	Screw 4,2x22 R2R	18.000	ST	
15	6.273-135.0	Sealing strip	1.000	ST	
7	5.107-313.0	Switch rod	1.000	ST	
12	5.387-620.0	Warning sticker-Prevent from freezing	1.000	ST	



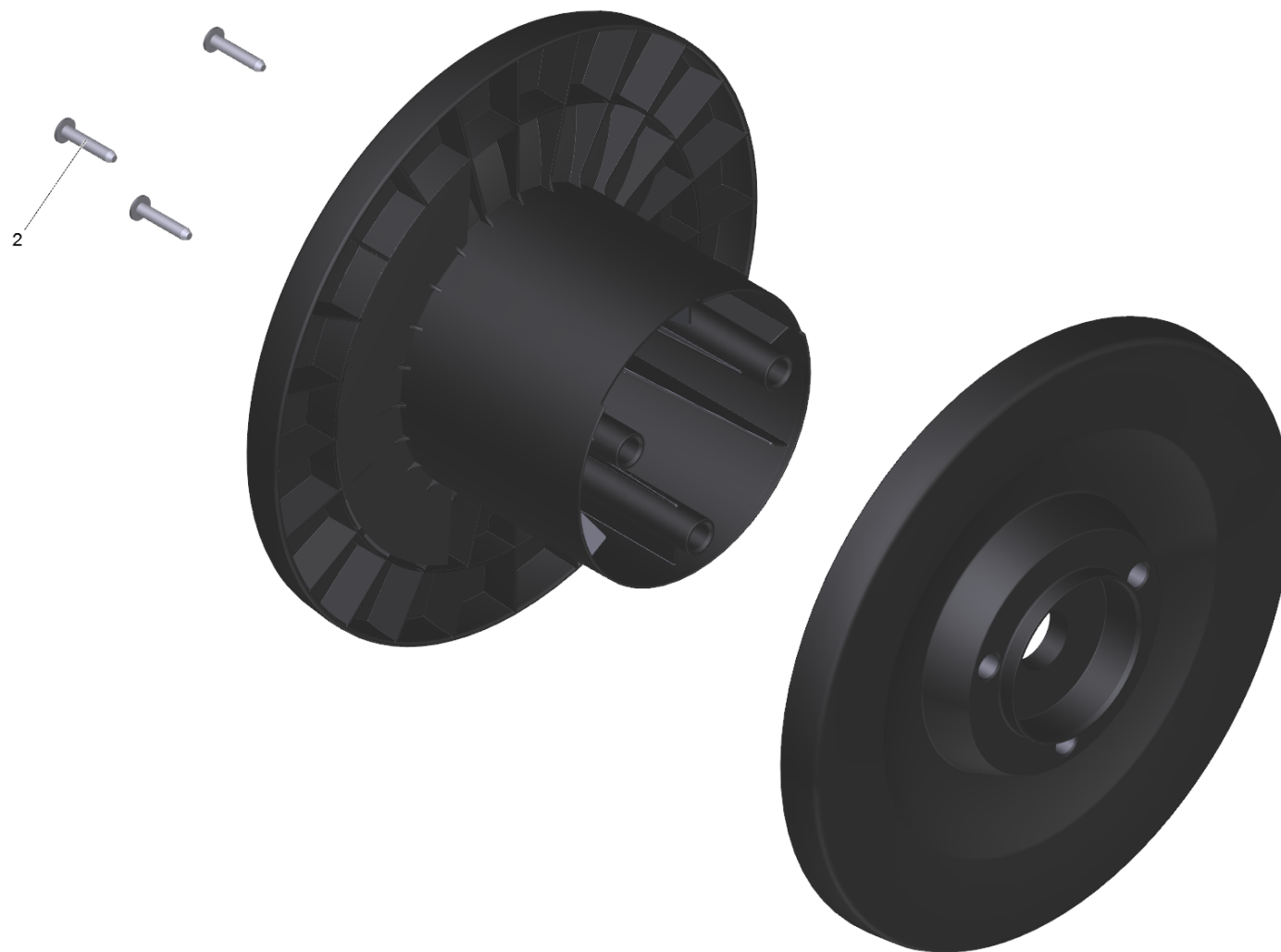
12 Hand grip and wheels

POS	Article no.	Description	Quantity	Unit
6	5.105-399.0	Axle	1.000	ST
4	5.645-676.0	End piece locking part	2.000	ST
1	5.324-161.0	Hand grip	1.000	ST
8	6.343-168.0	Lock washer	2.000	ST
5	6.303-562.0	Saucer-head screw D4x55	4.000	ST
2	5.645-674.0	Tube left Trolley	1.000	ST
3	5.645-853.0	Tube right Trolley	1.000	ST
9	5.515-386.0	Wheel cap large RAL 7012	2.000	ST
7	5.515-395.0	Wheel D180	2.000	ST



13 Hose reel

POS	Article no.	Description	Quantity	Unit
11	5.411-161.0	CLOSING SCREW M10X1	1.000	ST
12	4.481-302.0	Crank complete	1.000	ST
9	5.646-029.0	Holder hose reel links	1.000	ST
10	5.646-030.0	Holder hose reel rechts	1.000	ST
18	5.645-709.0	Holder jet pipe	1.000	ST
14	4.037-013.0	Hook	2.000	ST
16	7.343-018.0	Locking ring 18x1,2-Rf-St DIN 471	1.000	ST
2	5.427-467.0	Manifold	1.000	ST
1	5.427-326.0	Manifold	1.000	ST
8	6.362-151.0	O-Ring d. 10 x 2 NBR 70	1.000	ST
5	6.362-703.0	O-Ring seal 6,0x1,5-NBR 70	3.000	ST
15	4.363-691.0	O-Ring seal kpl. -nur fuer Ersatz-	1.000	ST
4	4.363-693.0	O-Ring seal kpl. -nur fuer Ersatz-	2.000	ST
7	4.423-016.0	Pipelines complete	1.000	ST
17	6.303-566.0	Screw 4,2x22 R2R	9.000	ST
6	6.303-200.0	Screw 5x25-IN6RD	3.000	ST
3	4.515-104.0	Set	1.000	ST
13	5.036-724.0	Sleeve	1.000	ST

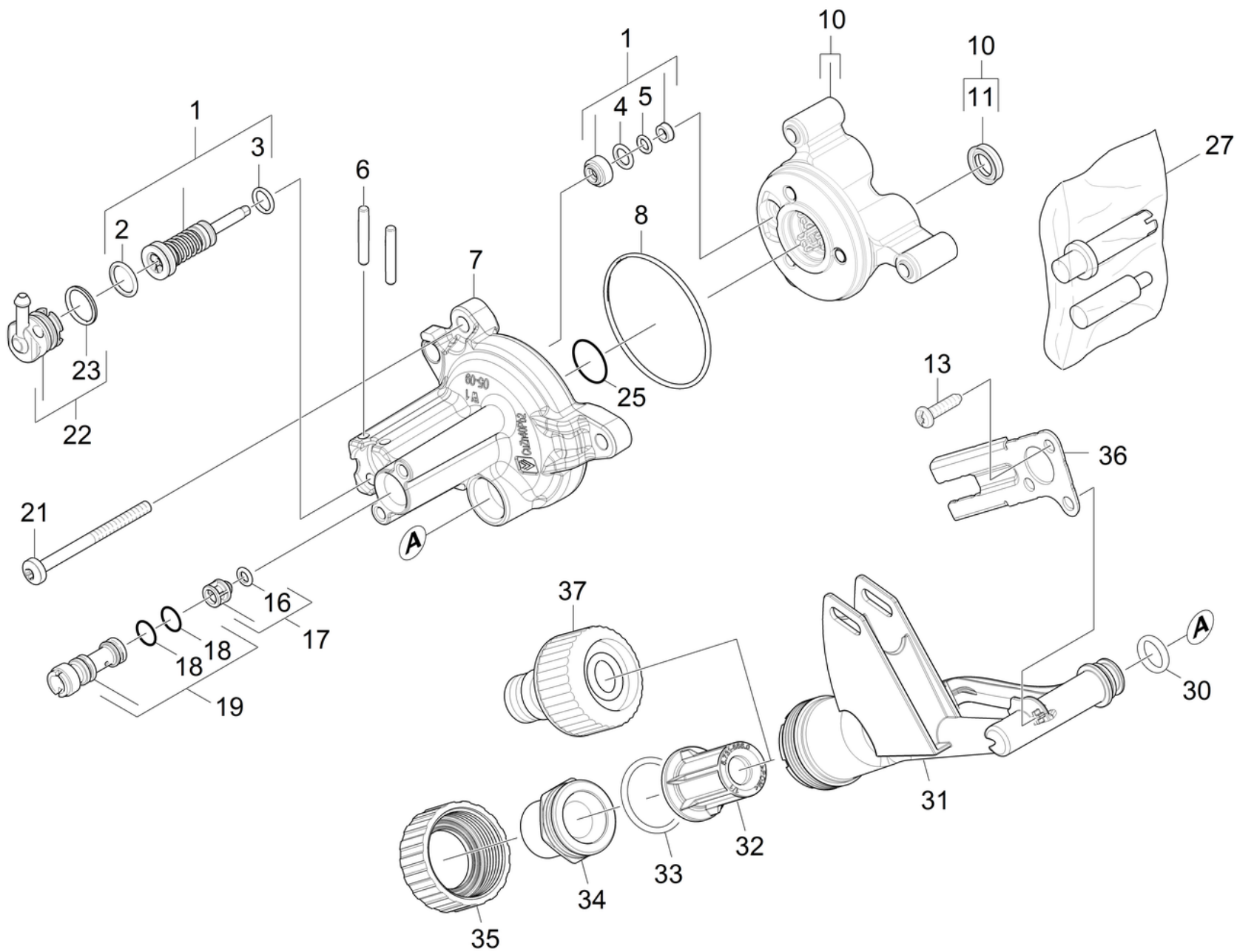


3 Set (4.515-104.0)

POS	Article no.	Description	Quantity	Unit
2	6.303-200.0	Screw 5x25-IN6RD	3.000	ST

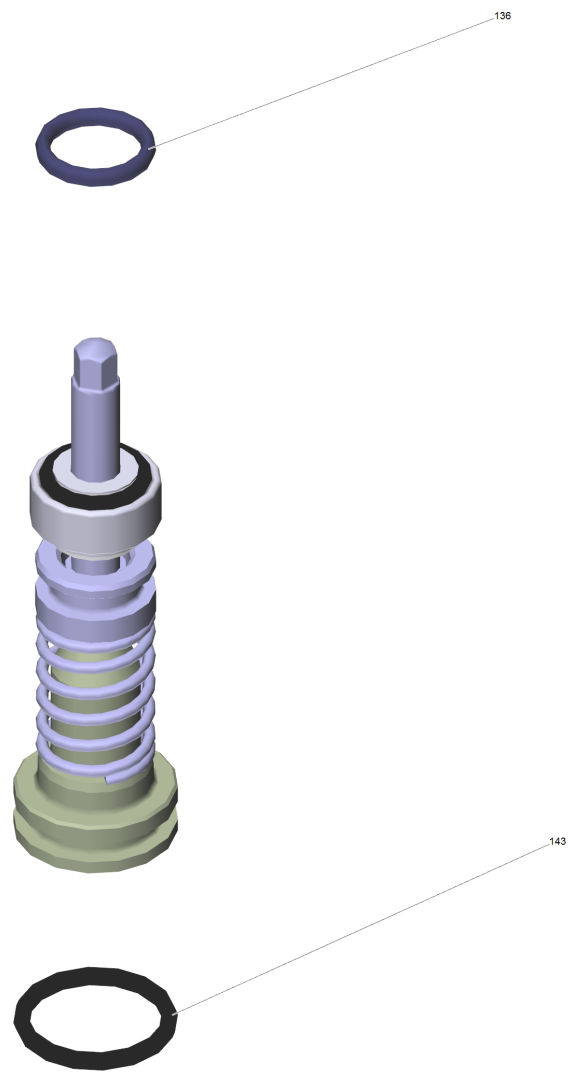
20 Pump set

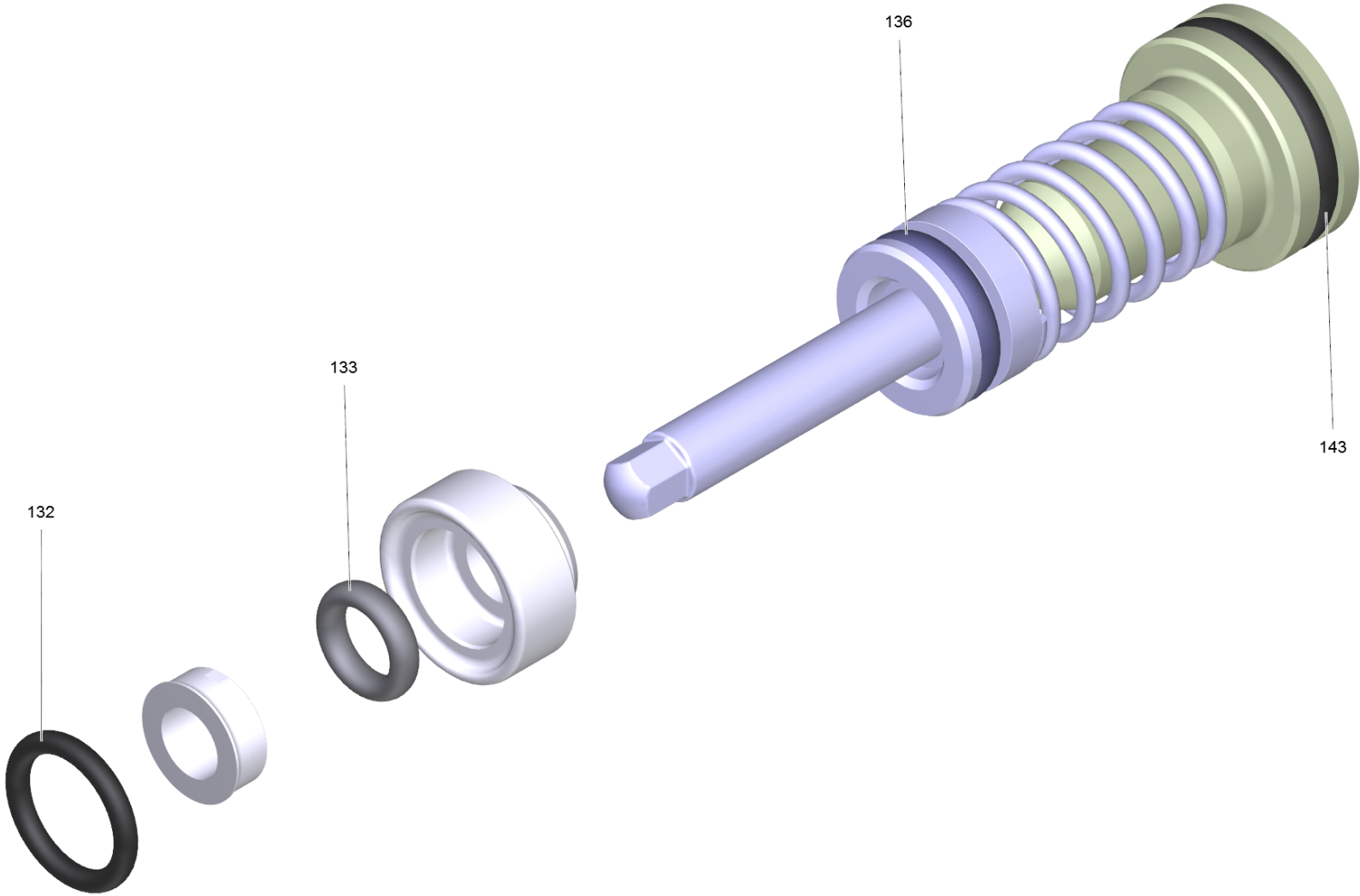
POS	Description	Quantity	Unit
21	Cylinder head	1.000	ST
22	Piston guidance	1.000	ST



21 Cylinder head

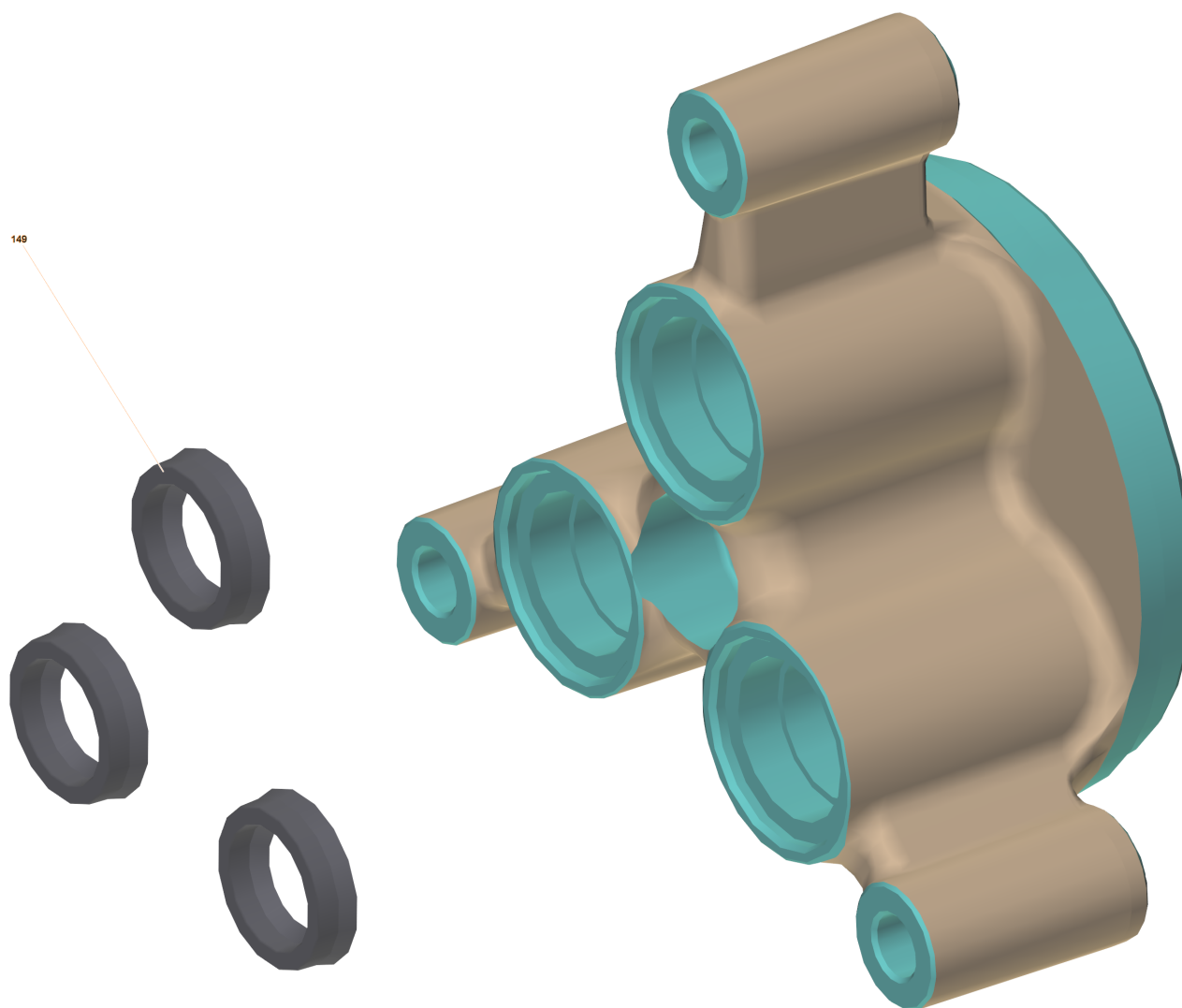
POS	Article no.	Description	Quantity	Unit
34	5.064-423.0	Connection piece water intake	1.000	ST
1	2.885-408.0	Control piston complete replacement	1.000	ST
10	4.550-942.0	Cylinder head complete brass	1.000	ST
32	5.731-666.0	Filter cartridge with cone	1.000	ST
11	6.363-435.0	Grooved ring 12x17x4,25/2,5	3.000	ST
7	5.062-390.0	Housing HD-C	1.000	ST
19	4.769-035.0	Nozzle insert	1.000	ST
35	5.064-465.0	Nut water intake	1.000	ST
16	6.363-613.0	O-Ring seal 4 x 2 -NBR90	1.000	ST
5	6.362-486.0	O-Ring seal 4,7 X 1,9 -NBR 70	1.000	ST
4	6.362-101.0	O-Ring seal 8 X 2	1.000	ST
3	6.363-614.0	O-Ring seal 9 x 2 -NBR90	1.000	ST
18	6.362-384.0	O-Ring seal 9x1,5 - NBR 70	2.000	ST
30	6.363-610.0	O-Ring seal 13 x 3 -NBR	1.000	ST
2	6.362-381.0	O-Ring seal 13x2 - NBR 70	1.000	ST
23	6.362-030.0	O-Ring seal 15x2 90 Shore IRHD	1.000	ST
25	6.362-562.0	O-Ring seal 21,95X 1,78-NBR 90	1.000	ST
33	6.363-437.0	O-Ring seal 30x3	1.000	ST
8	6.363-616.0	O-Ring seal 60,0x2,0 -NBR70	1.000	ST
6	5.314-150.0	Pin	2.000	ST
22	4.580-702.0	Plug complete	1.000	ST
36	5.095-519.0	Positioning water intake	1.000	ST
100	2.885-377.0	Pump set HDC	1.000	ST
13	7.306-092.0	Screw M6x20-ST- 8.8-R3R (IN6RD)	2.000	ST
21	7.306-268.0	Screw M6x70 -8.8-R3R (In6Rd)	3.000	ST
27	2.901-049.0	Set from valve retainer and drive-in man	1.000	ST
37	2.645-010.0	Tap adaptor for inhouse fittings	1.000	ST
	Item text1: 1.520-133.0			
31	5.443-672.0	Tube water intake	1.000	ST
17	4.584-022.0	Valve pin complete	1.000	ST





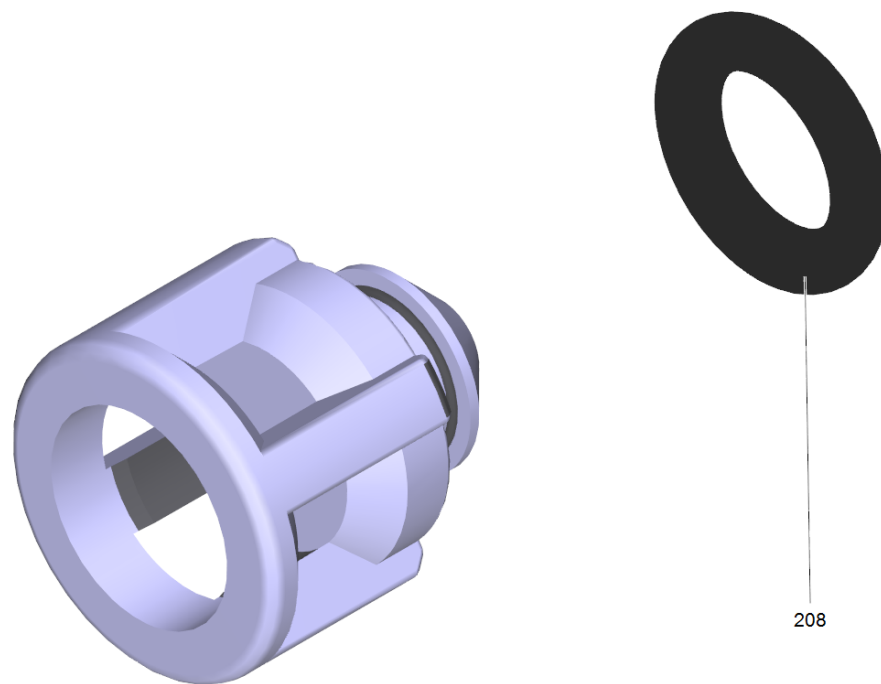
1 Control piston complete replacement (2.885-408.0)

POS	Article no.	Description	Quantity	Unit
133	6.363-606.0	O-Ring seal 4,7 x 1,9 -NBR70	1.000	ST
132	6.362-101.0	O-Ring seal 8 X 2	1.000	ST
136	6.363-614.0	O-Ring seal 9 x 2 -NBR90	1.000	ST
143	6.362-381.0	O-Ring seal 13x2 - NBR 70	1.000	ST



10 Cylinder head complete brass (4.550-942.0)

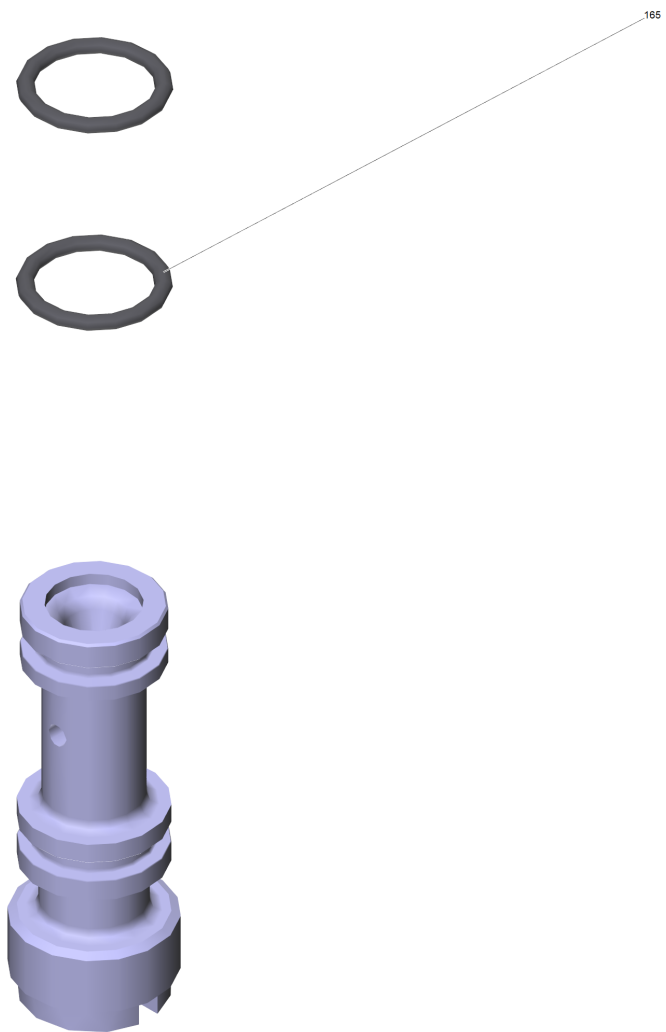
POS	Article no.	Description	Quantity	Unit
149	6.363-435.0	Grooved ring 12x17x4,25/2,5	3.000	ST



208

17 Valve pin complete (4.584-022.0)

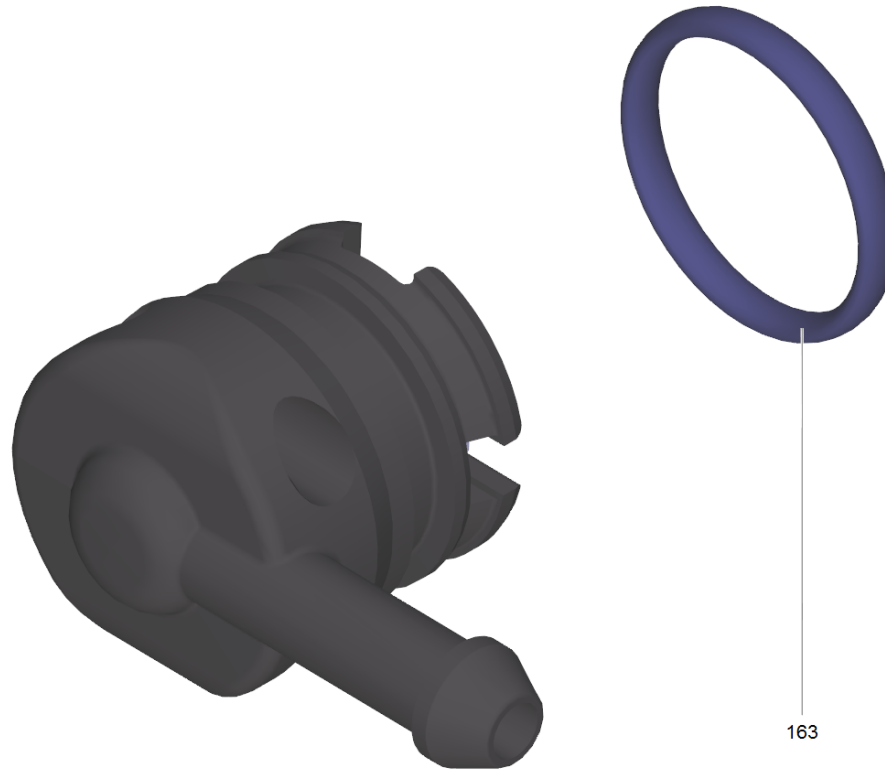
POS	Article no.	Description	Quantity	Unit
208	6.363-613.0	O-Ring seal 4 x 2 -NBR90	1.000	ST



19 Nozzle insert (4.769-035.0)

POS	Article no.	Description	Quantity	Unit
165	6.362-384.0	O-Ring seal 9x1,5 - NBR 70	2.000	ST

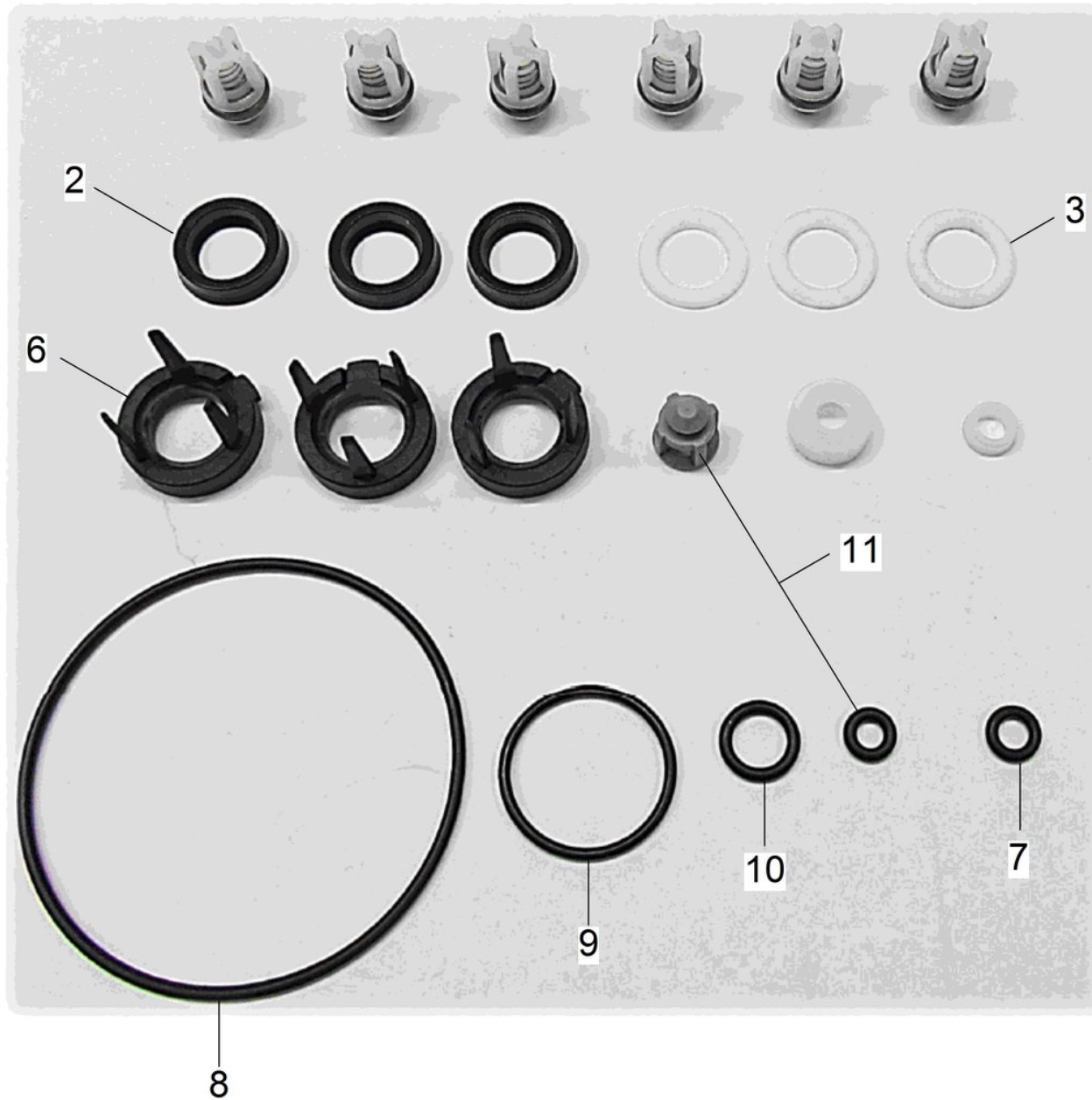




163

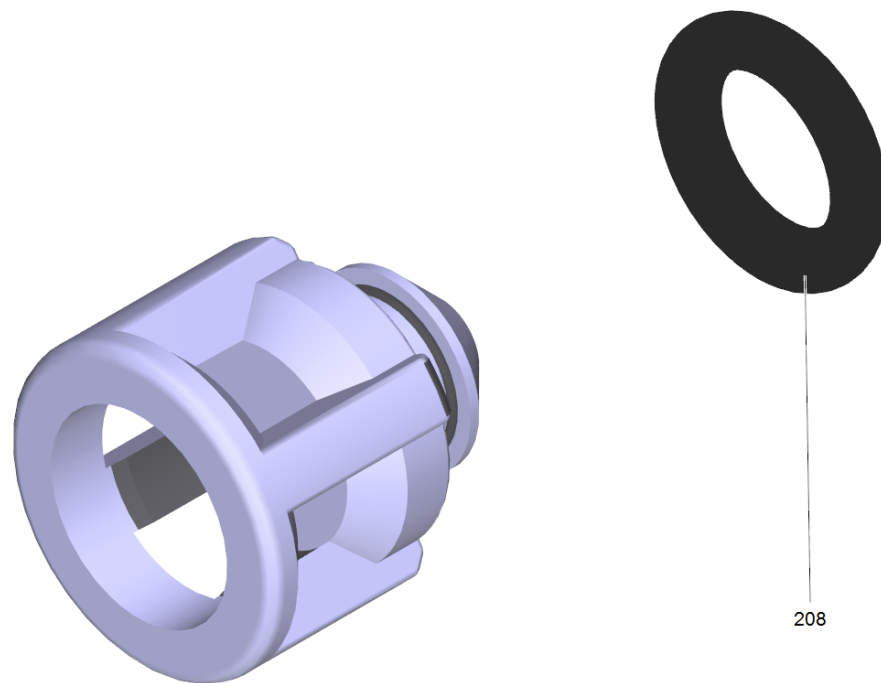
22 Plug complete (4.580-702.0)

POS	Article no.	Description	Quantity	Unit
163	6.362-030.0	O-Ring seal 15x2 90 Shore IRHD	1.000	ST



100 Pump set HDC (2.885-377.0)

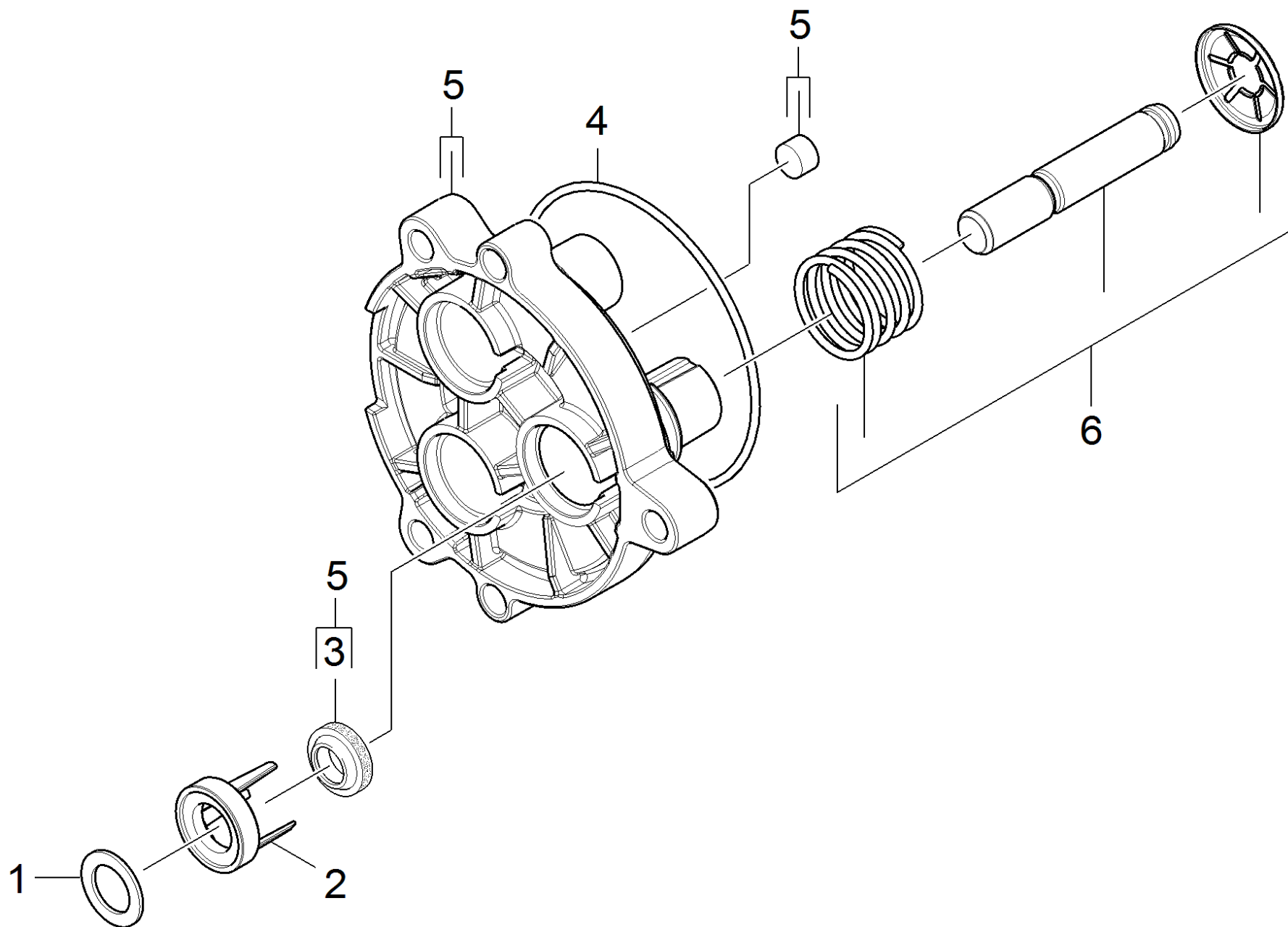
POS	Article no.	Description	Quantity	Unit
2	6.363-435.0	Grooved ring 12x17x4,25/2,5	3.000	ST
7	6.363-606.0	O-Ring seal 4,7 x 1,9 -NBR70	1.000	ST
10	6.362-101.0	O-Ring seal 8 X 2	1.000	ST
9	6.362-562.0	O-Ring seal 21,95X 1,78-NBR 90	1.000	ST
8	6.363-616.0	O-Ring seal 60,0x2,0 -NBR70	1.000	ST
6	5.116-381.0	Supporting disk	3.000	ST
11	4.584-022.0	Valve pin complete	1.000	ST
3	5.116-380.0	Washer piston guidance	3.000	ST



208

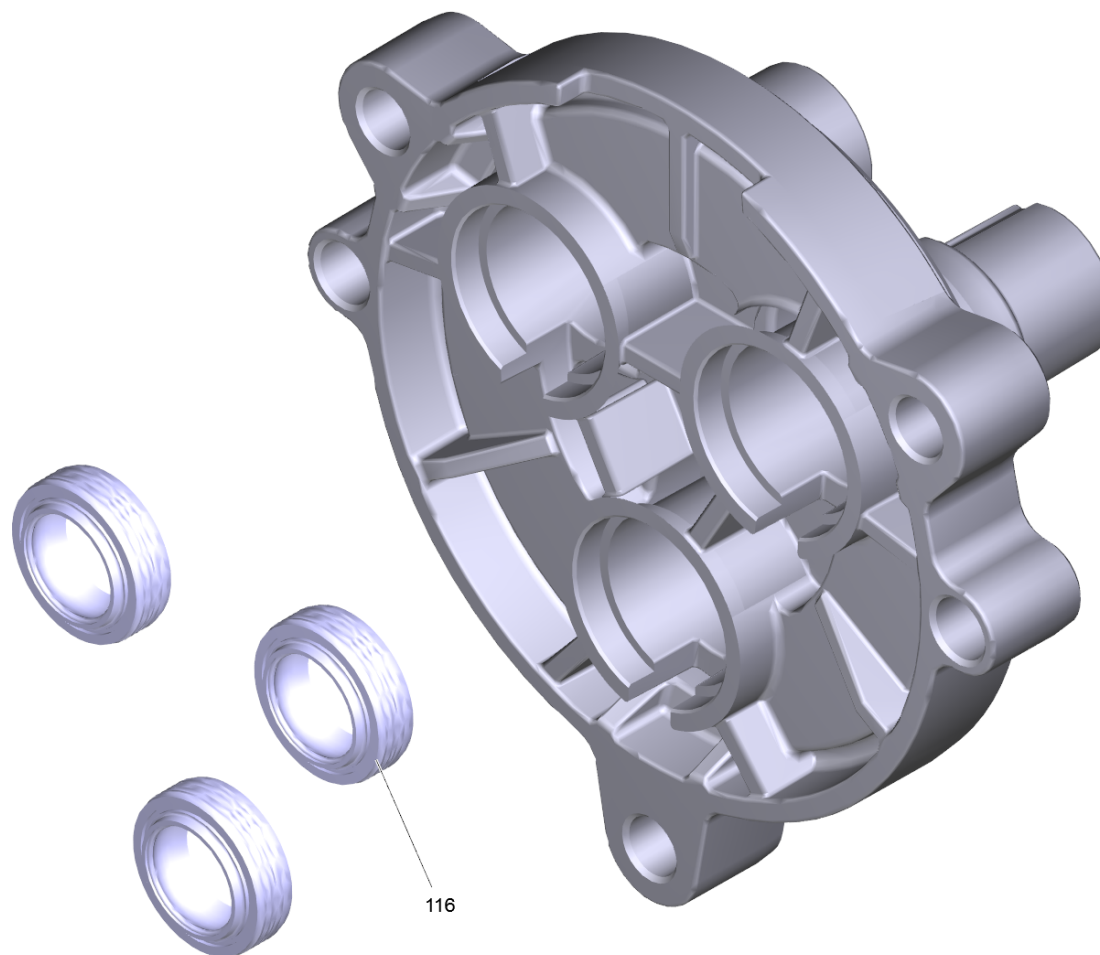
11 Valve pin complete (4.584-022.0)

POS	Article no.	Description	Quantity	Unit
208	6.363-613.0	O-Ring seal 4 x 2 -NBR90	1.000	ST



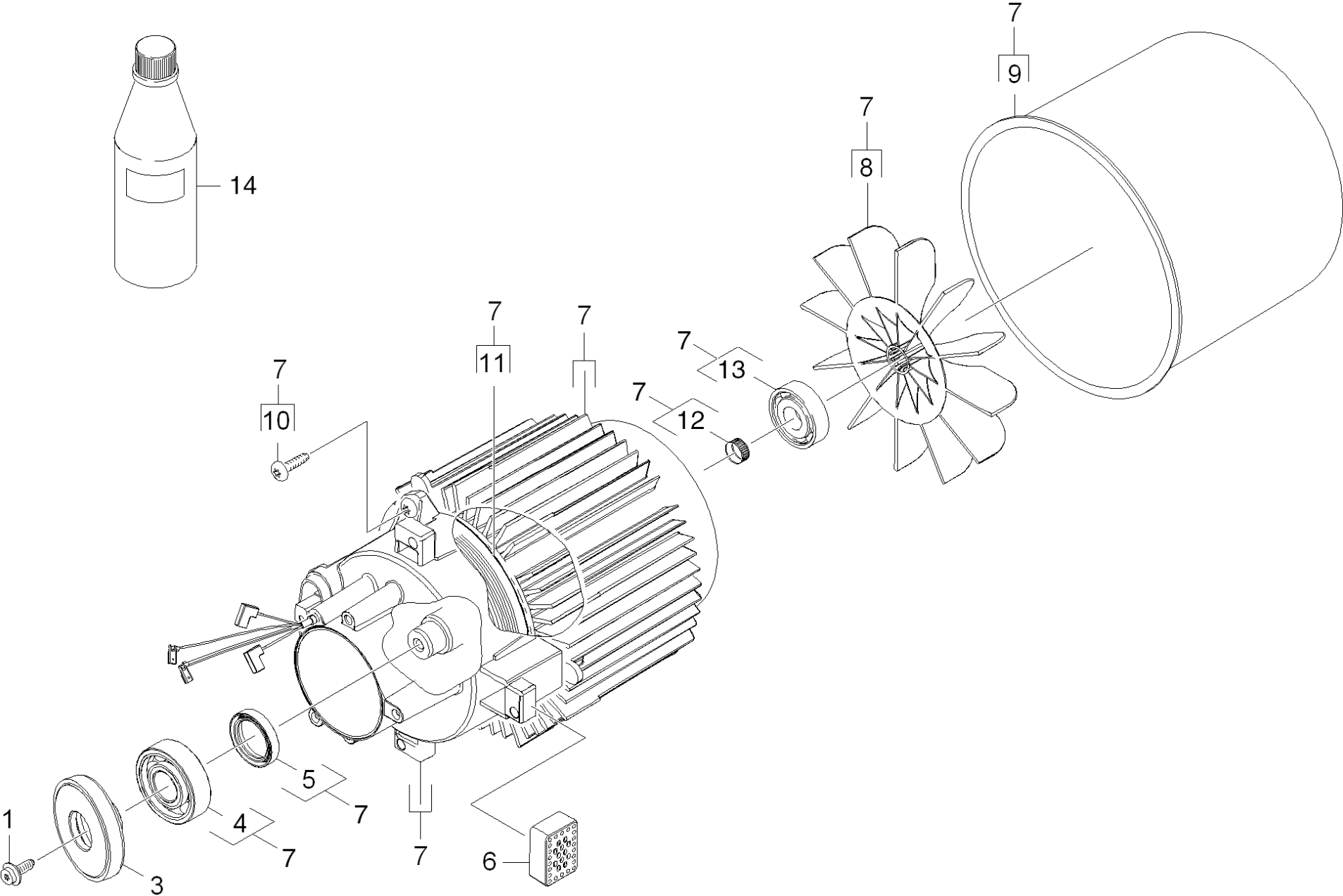
22 Piston guidance

POS	Article no.	Description	Quantity	Unit
3	6.363-633.0	Grooved ring 12x18x6/5/1	3.000	ST
4	6.363-449.0	O-Ring seal 72x2 -NBR70	1.000	ST
6	4.553-319.0	Piston complete	3.000	ST
5	2.060-000.0	Piston guidance for replacement	1.000	ST
2	5.116-381.0	Supporting disk	3.000	ST
1	5.116-380.0	Washer piston guidance	3.000	ST



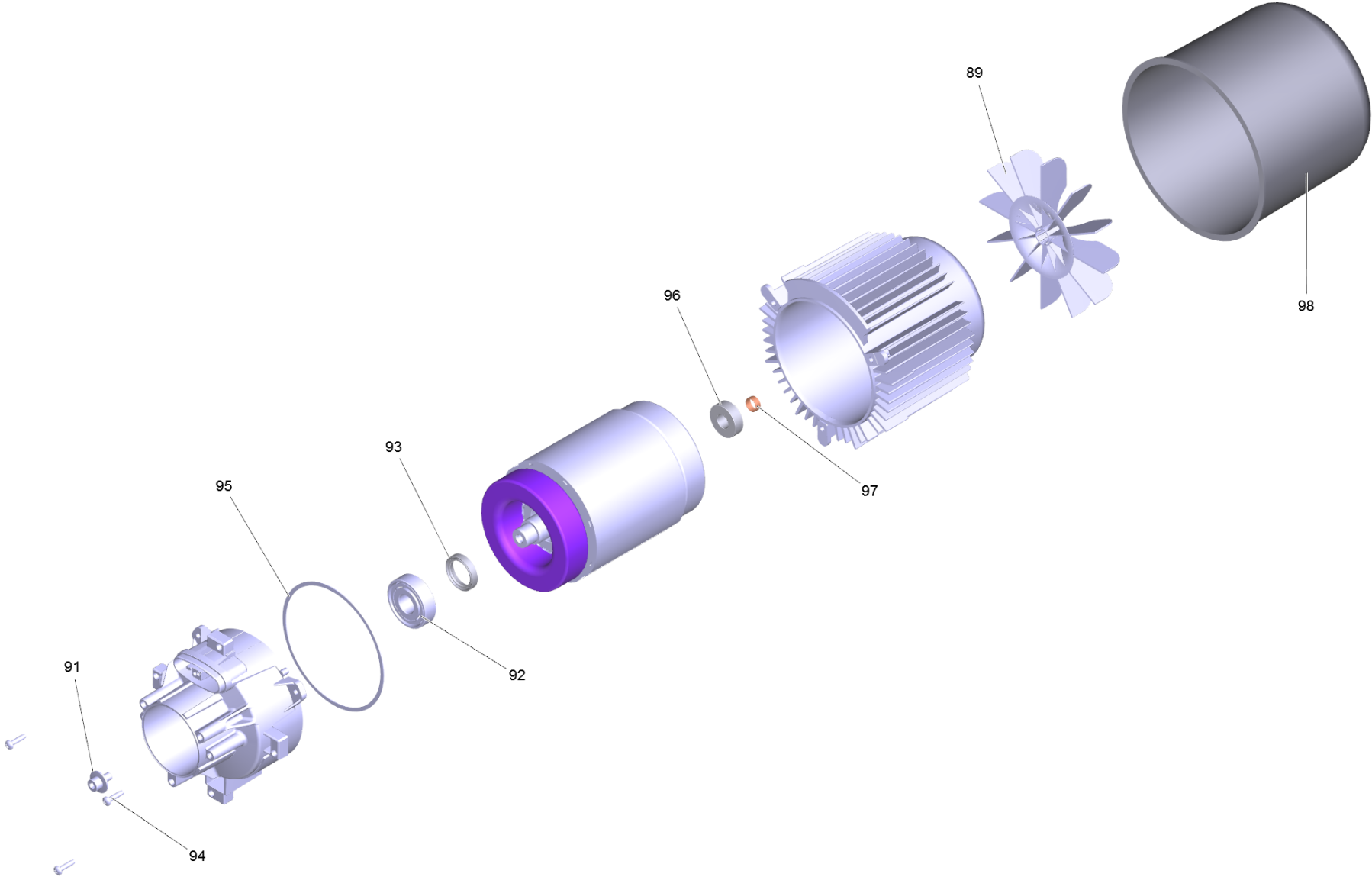
5 Piston guidance for replacement (2.060-000.0)

POS	Article no.	Description	Quantity	Unit
116	6.363-633.0	Grooved ring 12x18x6/5/1	3.000	ST



30 Motor

POS	Article no.	Description	Quantity	Unit
9	5.692-102.0	Air circulation	1.000	ST
4	6.401-427.0	Angular contact ball bearing	1.000	ST
13	7.401-128.0	Ball bearing 6202-2RS -Wälzl.St DIN 625	1.000	ST
8	5.600-105.0	Blower wheel	1.000	ST
14	6.288-050.0	Engine oil 1L	1.000	ST
11	5.363-743.0	Joint ring	1.000	ST
7	4.624-227.0	Motor for replacement HD 5/17	1.000	ST
5	7.367-024.0	Radial shaft seal ring A26x37x7 -FKM DIN	1.000	ST
6	5.767-029.0	Rubber buffer	4.000	ST
10	6.303-320.0	Screw M 5x 20-St-R2R	3.000	ST
12	6.343-218.0	Tolerance ring 15x6	1.000	ST
3	4.120-261.0	Wobble plate complete 11°43' (D67)	1.000	ST
1	9.086-169.0	Wobble plate screw M8x16	1.000	ST

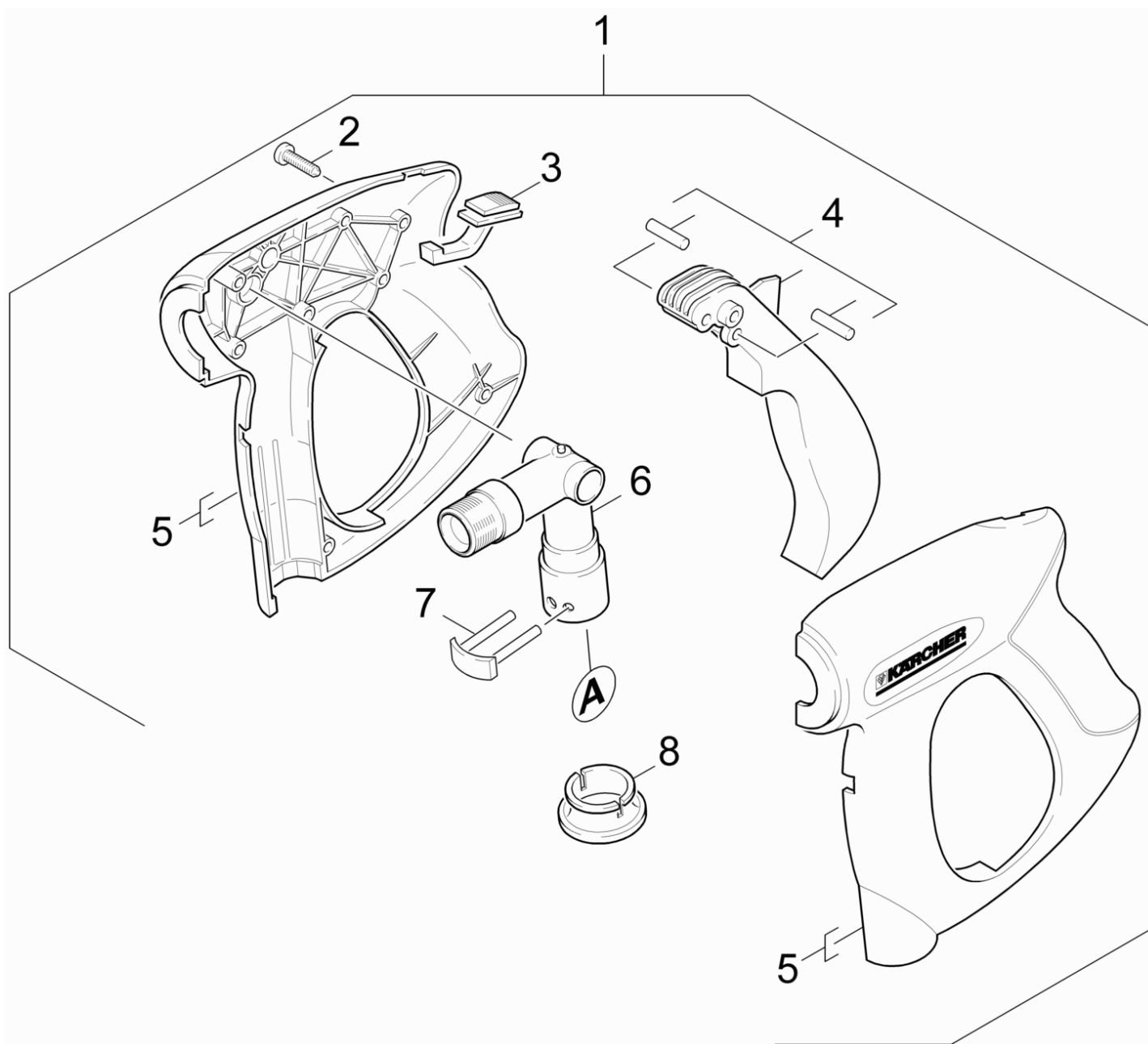


7 Motor for replacement HD 5/17 (4.624-227.0)

POS	Article no.	Description	Quantity	Unit
98	5.692-102.0	Air circulation	1.000	ST
92	6.401-427.0	Angular contact ball bearing	1.000	ST
96	7.401-128.0	Ball bearing 6202-2RS -Wälzl.St DIN 625	1.000	ST
89	5.600-105.0	Blower wheel	1.000	ST
95	5.363-743.0	Joint ring	1.000	ST
93	7.367-024.0	Radial shaft seal ring A26x37x7 -FKM DIN	1.000	ST
94	6.303-320.0	Screw M 5x 20-St-R2R	3.000	ST
97	6.343-218.0	Tolerance ring 15x6	1.000	ST
91	9.086-169.0	Wobble plate screw M8x16	1.000	ST

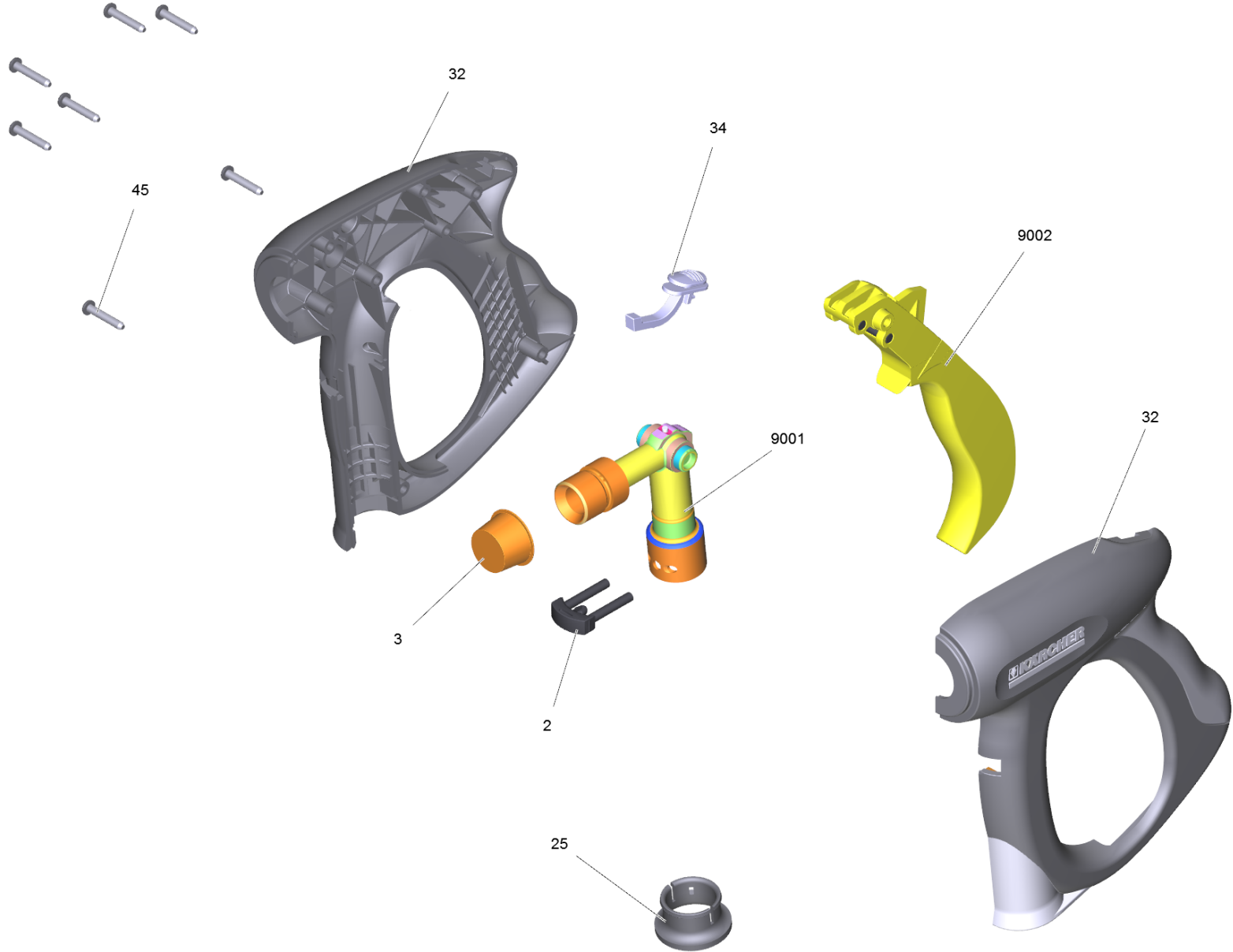
40 Accessories

POS	Description	Quantity	Unit	Foot note text
45	Dirt blaster	1.000	ST	
41	Hand trigger gun	1.000	ST	
41	Hand trigger gun	1.000	ST	VERSION 1
42	High pressure hose	1.000	ST	
43	Jet pipe	1.000	ST	
44	Triple jet nozzle	1.000	ST	



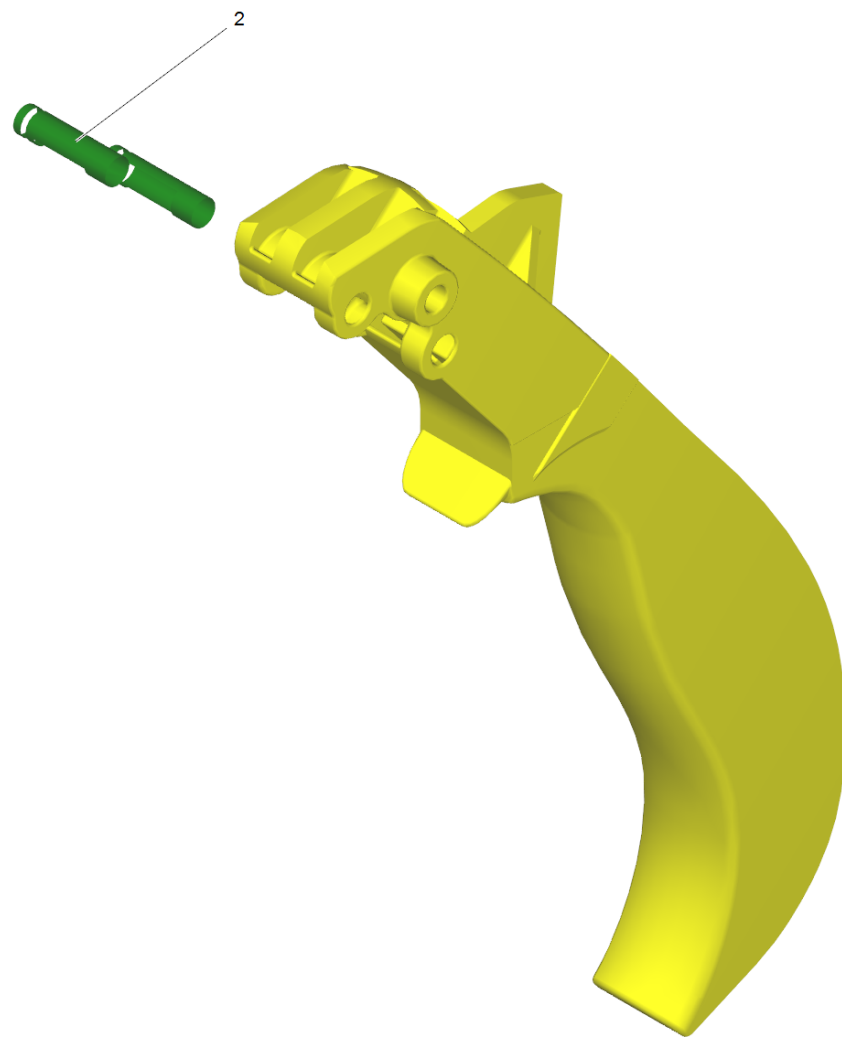
41 Hand trigger gun

POS	Article no.	Description	Quantity	Unit
5	5.321-669.3	Handhold few	1.000	ST
1	4.775-463.0	HAND TRIGGER GUN EASY PRESS	1.000	ST
7	4.037-013.0	Hook	1.000	ST
4	4.481-209.0	Lever complete	1.000	ST
6	4.427-215.0	Manifold complete only for replacement	1.000	ST
2	7.303-096.0	Screw 4x22 -ST-10.9-R2R (IN6RD)	7.000	ST
8	5.110-596.0	Sleeve	1.000	ST
3	5.481-331.0	Slider	1.000	ST



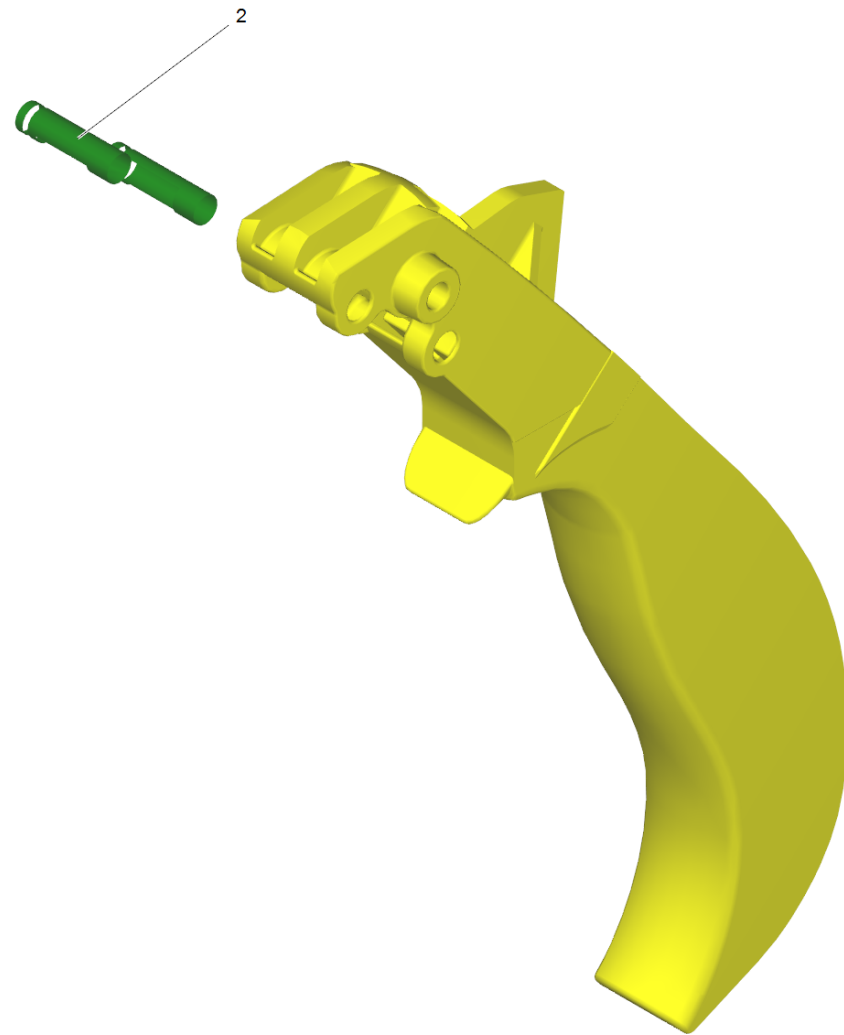
1 HAND TRIGGER GUN EASY PRESS (4.775-463.0)

POS	Article no.	Description	Quantity	Unit
32	5.321-669.3	Handhold few	1.000	ST
2	4.037-013.0	Hook	1.000	ST
9002	4.481-209.0	Lever complete	1.000	ST
9001	4.427-215.0	Manifold complete only for replacement	1.000	ST
4	6.869-075.0	Metal bonding agent 1,5 ml	1.000	ST
3	6.368-012.0	Protecting cap 22X1,5	1.000	ST
45	7.303-096.0	Screw 4x22 -ST-10.9-R2R (IN6RD)	7.000	ST
1041	6.288-044.0	Silicon grease 100 G	1.000	ST
25	5.110-596.0	Sleeve	1.000	ST
34	5.481-331.0	Slider	1.000	ST



9002 Lever complete (4.481-209.0)

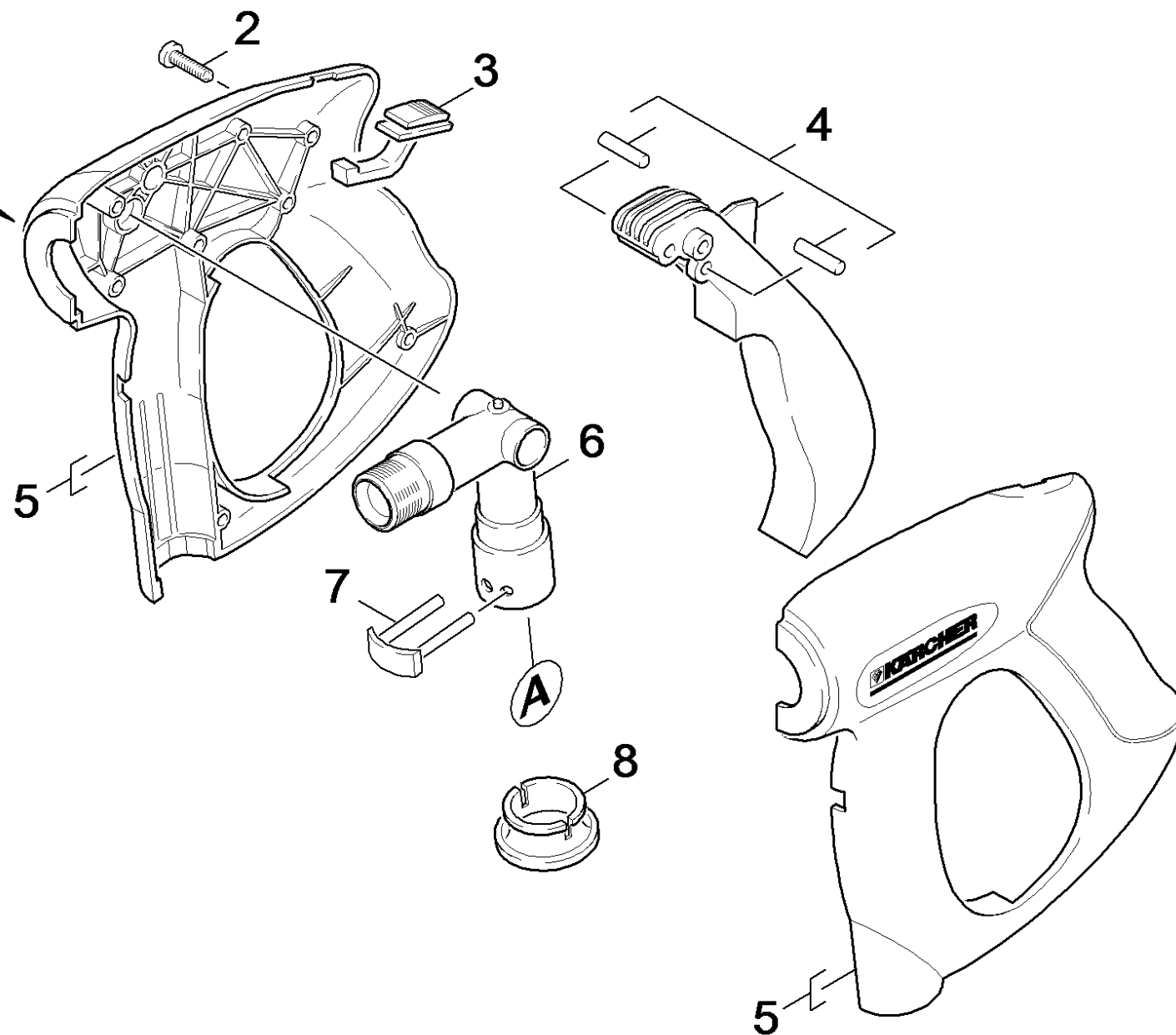
POS	Article no.	Description	Quantity	Unit
2	5.314-119.0	Pin	2.000	ST



4 Lever complete (4.481-209.0)

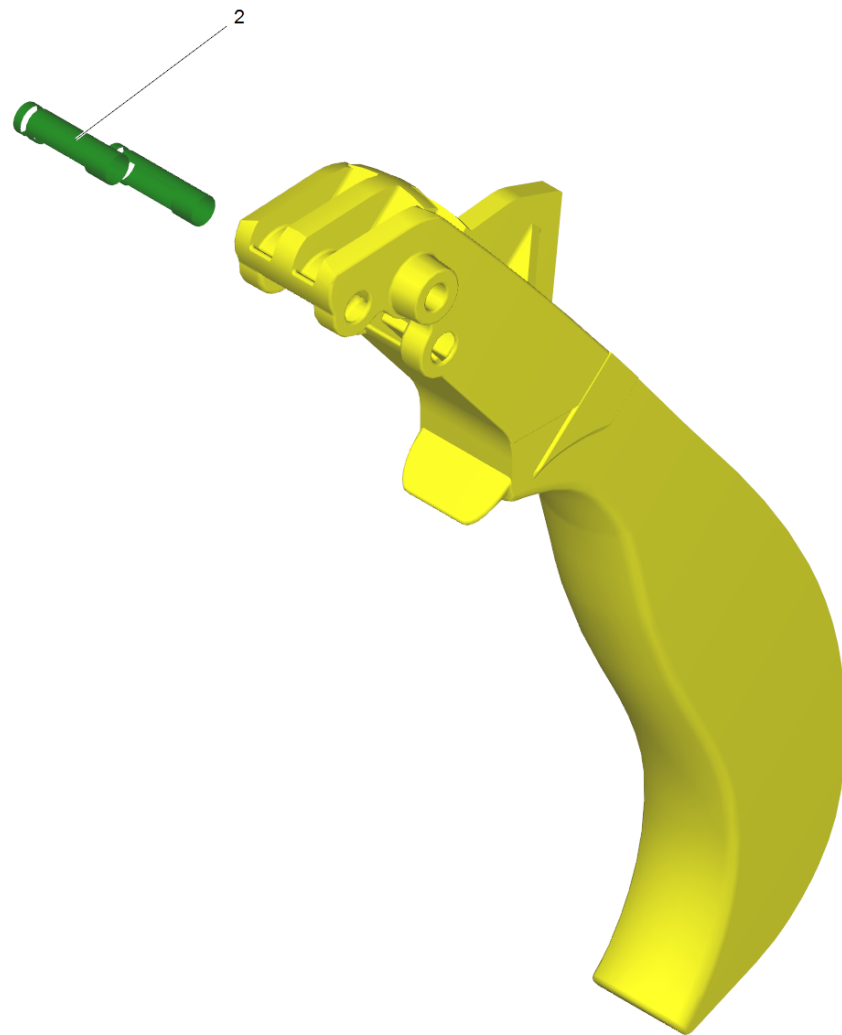
POS	Article no.	Description	Quantity	Unit
2	5.314-119.0	Pin	2.000	ST

max.30MPa
60°C



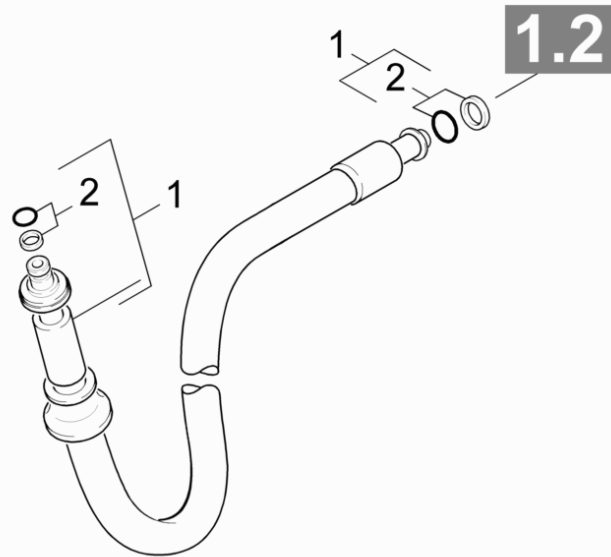
41 Hand trigger gun

POS	Article no.	Description	Quantity	Unit
5	5.322-013.0	Handhold few cold water Easy-Press	1.000	ST
7	4.037-013.0	Hook	1.000	ST
4	4.481-209.0	Lever complete	1.000	ST
6	4.427-215.0	Manifold complete only for replacement	1.000	ST
2	7.303-096.0	Screw 4x22 -ST-10.9-R2R (IN6RD)	7.000	ST
8	5.110-596.0	Sleeve	1.000	ST
3	5.481-331.0	Slider	1.000	ST



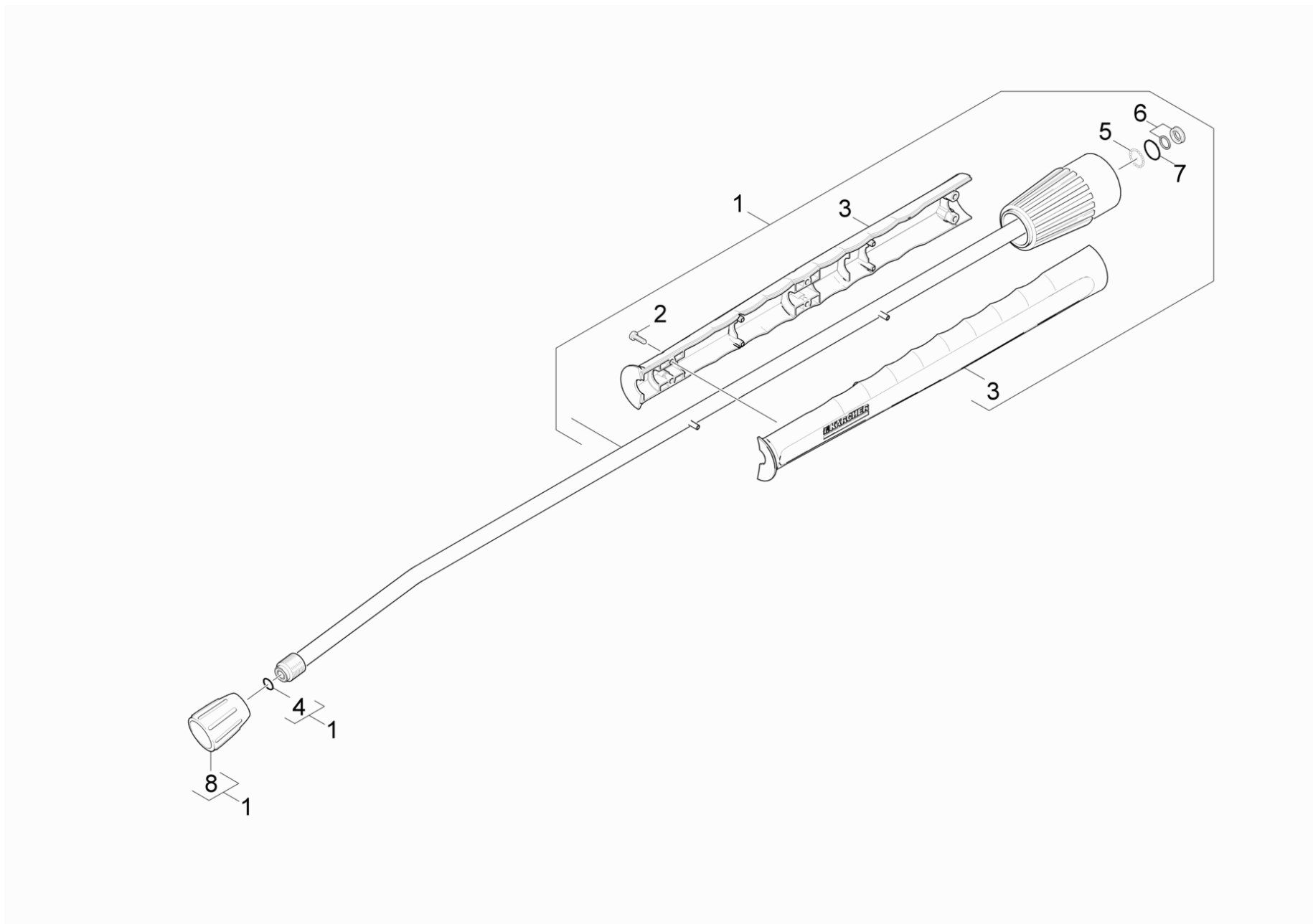
4 Lever complete (4.481-209.0)

POS	Article no.	Description	Quantity	Unit
2	5.314-119.0	Pin	2.000	ST



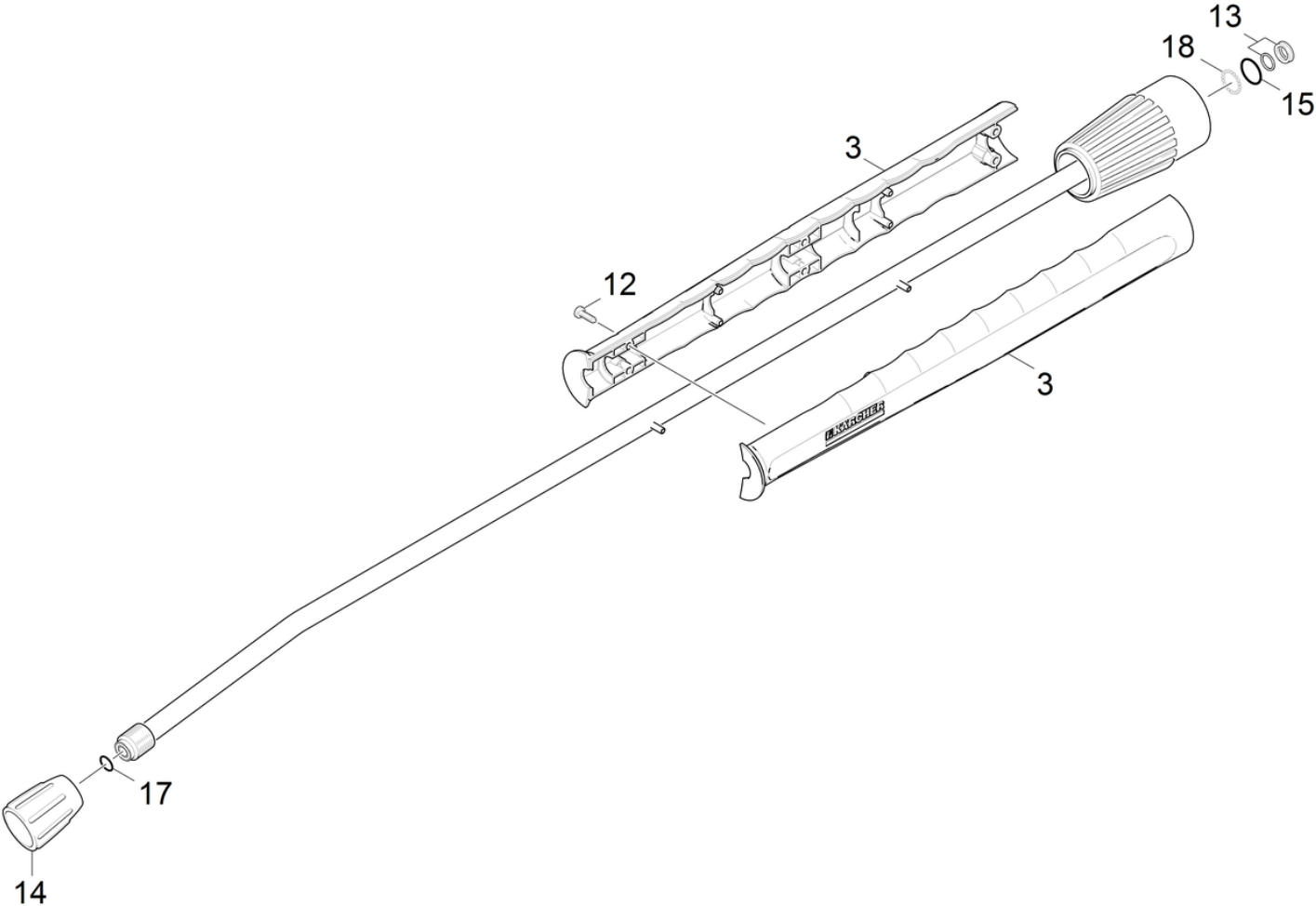
42 High pressure hose

POS	Article no.	Description	Quantity	Unit
1	6.391-417.0	Hose assembly standard DN6 25MPa 15m	1.000	ST
2	4.363-691.0	O-Ring seal kpl. -nur fuer Ersatz-	2.000	ST



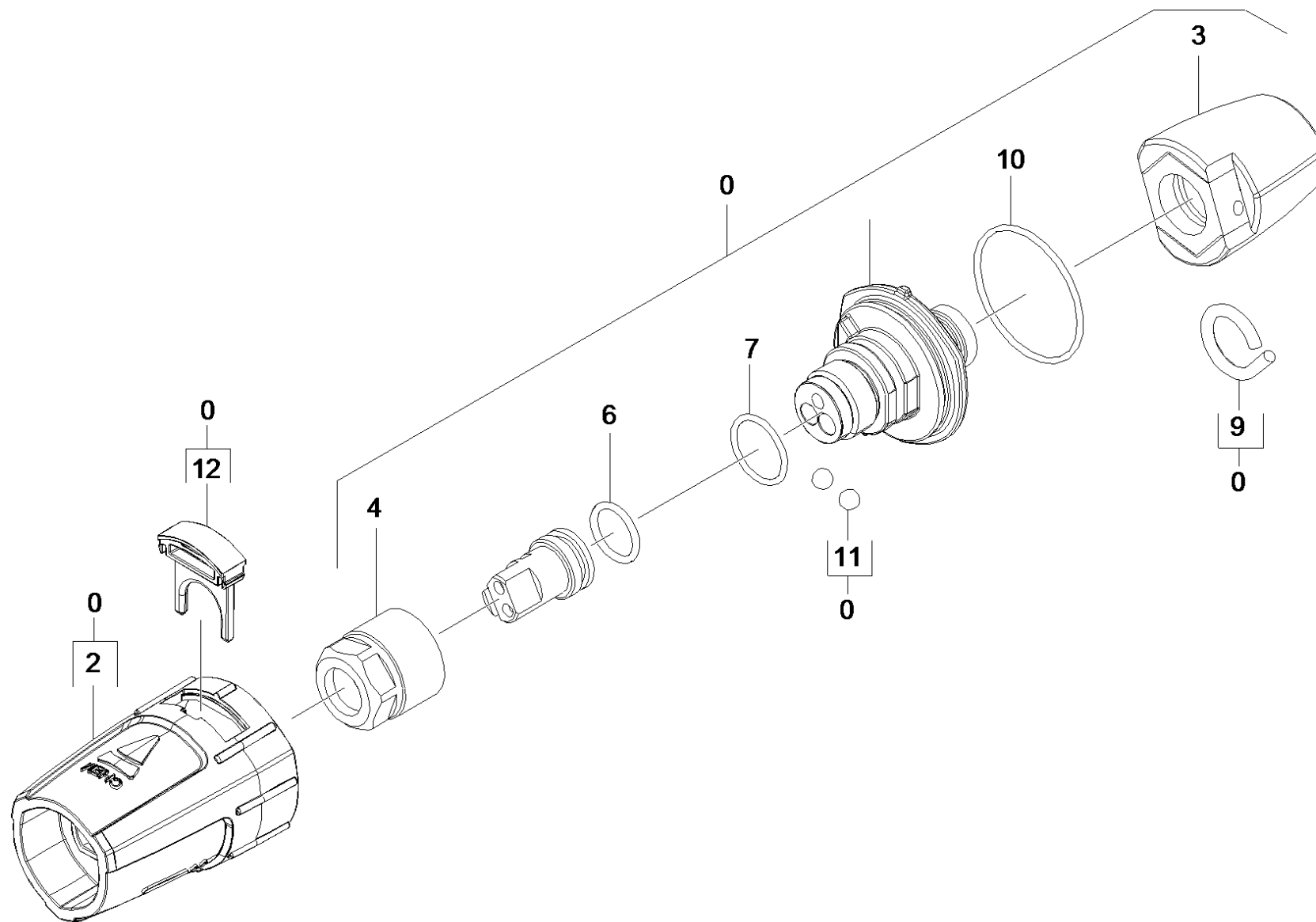
43 Jet pipe

POS	Article no.	Description	Quantity	Unit
6	4.363-692.0	Grooved ring kpl. -nur fuer Ersatz-	1.000	ST
3	5.321-855.0	Handhold few jet pipe with welding bolt	1.000	ST
1	4.760-663.0	Jet pipe packaged only for replacement	1.000	ST
7	6.362-524.0	O-Ring seal 17,0 X 1,5	1.000	ST
2	7.303-129.0	Screw 4x16 -10.9-R2R (K-In6Rd)	6.000	ST
8	5.401-210.0	Screw connector part	1.000	ST
4	2.880-990.0	Spare part set O-Ring 5x -Kaercher	1.000	ST
5	7.401-915.0	Sphere 2,5 G20 -1.4034 DIN 5401	20.000	ST



1 Jet pipe packaged only for replacement (4.760-663.0)

POS	Article no.	Description	Quantity	Unit
13	4.363-692.0	Grooved ring kpl. -nur fuer Ersatz-	1.000	ST
3	5.321-855.0	Handhold few jet pipe with welding bolt	1.000	ST
17	7.362-501.0	O-Ring seal 10x2 EPDM 70 DIN 3770	1.000	ST
15	6.362-524.0	O-Ring seal 17,0 X 1,5	1.000	ST
12	7.303-129.0	Screw 4x16 -10.9-R2R (K-In6Rd)	6.000	ST
14	5.401-210.0	Screw connector part	1.000	ST
18	7.401-915.0	Sphere 2,5 G20 -1.4034 DIN 5401	20.000	ST



44 Triple jet nozzle

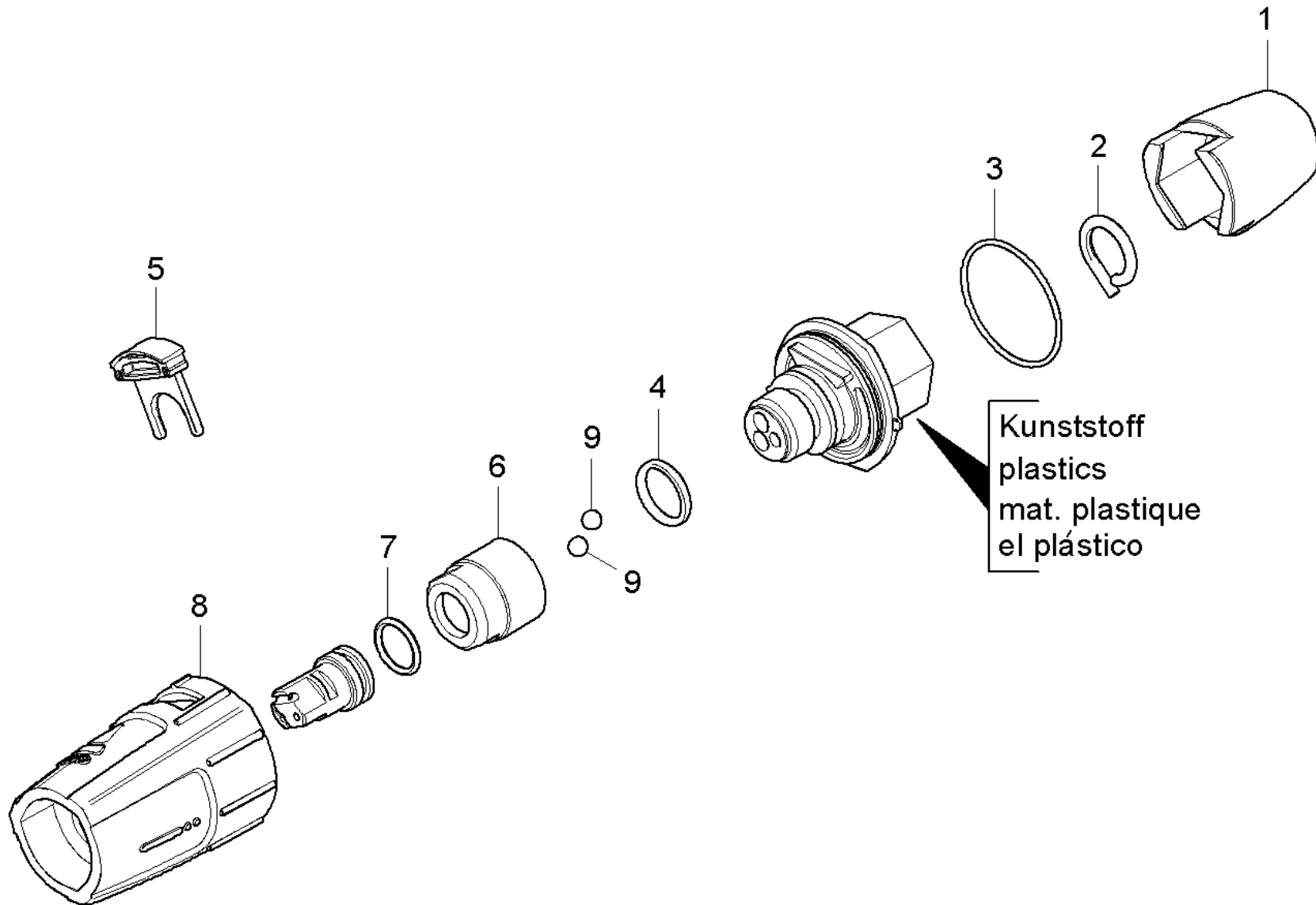
POS	Article no.	Description	Quantity	Unit
12	5.321-884.0	Clamp	1.000	ST
4	5.311-236.0	Nut	1.000	ST
6	6.362-480.0	O-Ring seal 12,42x 1,78	1.000	ST
7	7.362-039.0	O-Ring seal 15,5x1,5 -NBR70 DIN 3771	1.000	ST
10	6.362-409.0	O-Ring seal 32,0 X 1,5	1.000	ST
9	6.343-150.0	Pin 03	1.000	ST
2	5.394-874.0	Protection part	1.000	ST
3	5.394-530.0	Protection part complete	1.000	ST
11	7.401-902.0	Sphere 5 G20 -1.4034 DIN 5401	2.000	ST
0		Triple jet nozzle only for replacement 0	1.000	ST

Triple jet nozzle only for replacement 0

POS	Article no.	Description	Quantity	Unit
2	5.970-837.0	Spare parts list triple jet nozzle	1.000	ST

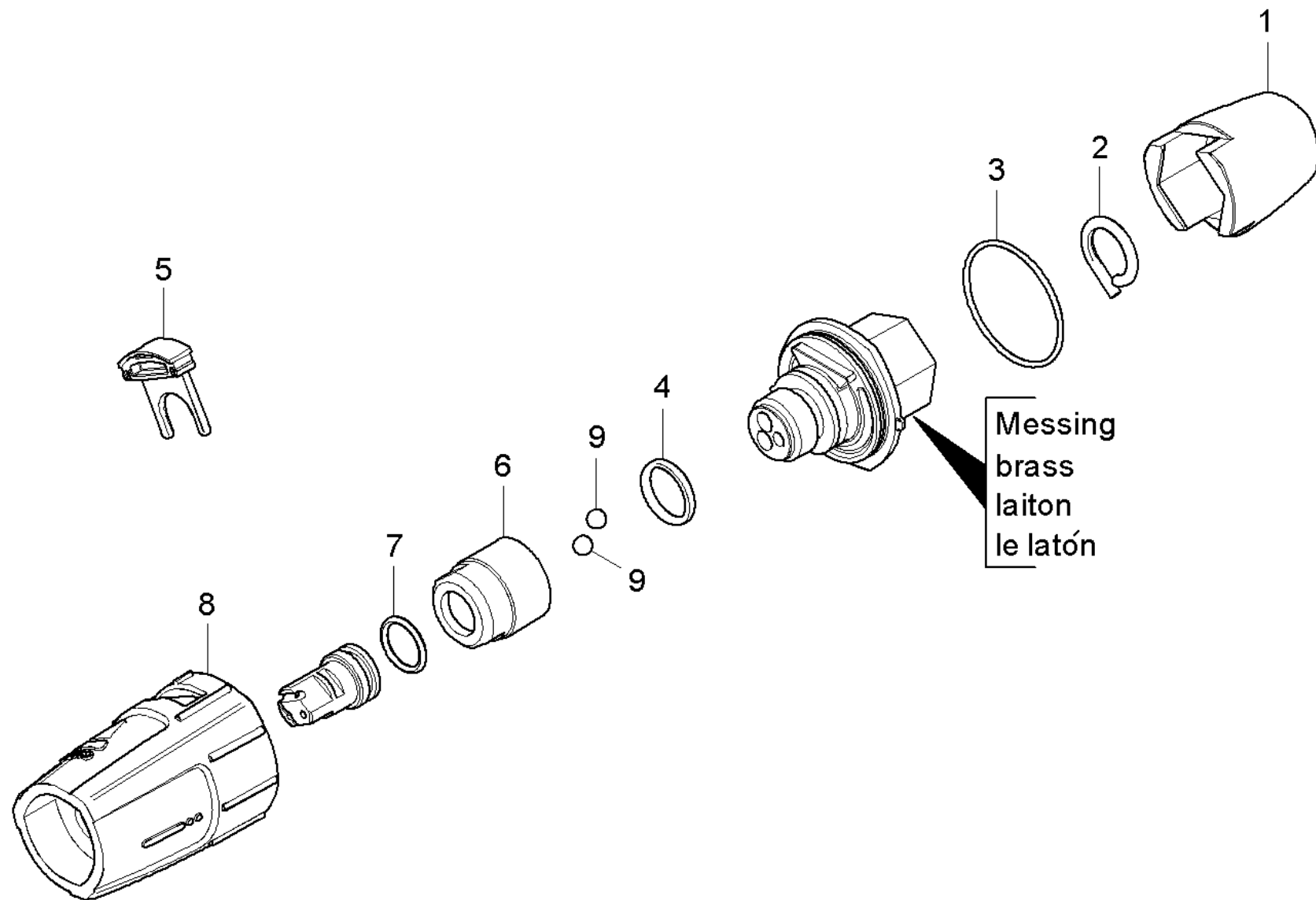
2 Spare parts list triple jet nozzle (5.970-837.0)

POS	Description	Quantity	Unit
20	Triple jet nozzle brass	1.000	ST
10	Triple jet nozzle plastics	1.000	ST



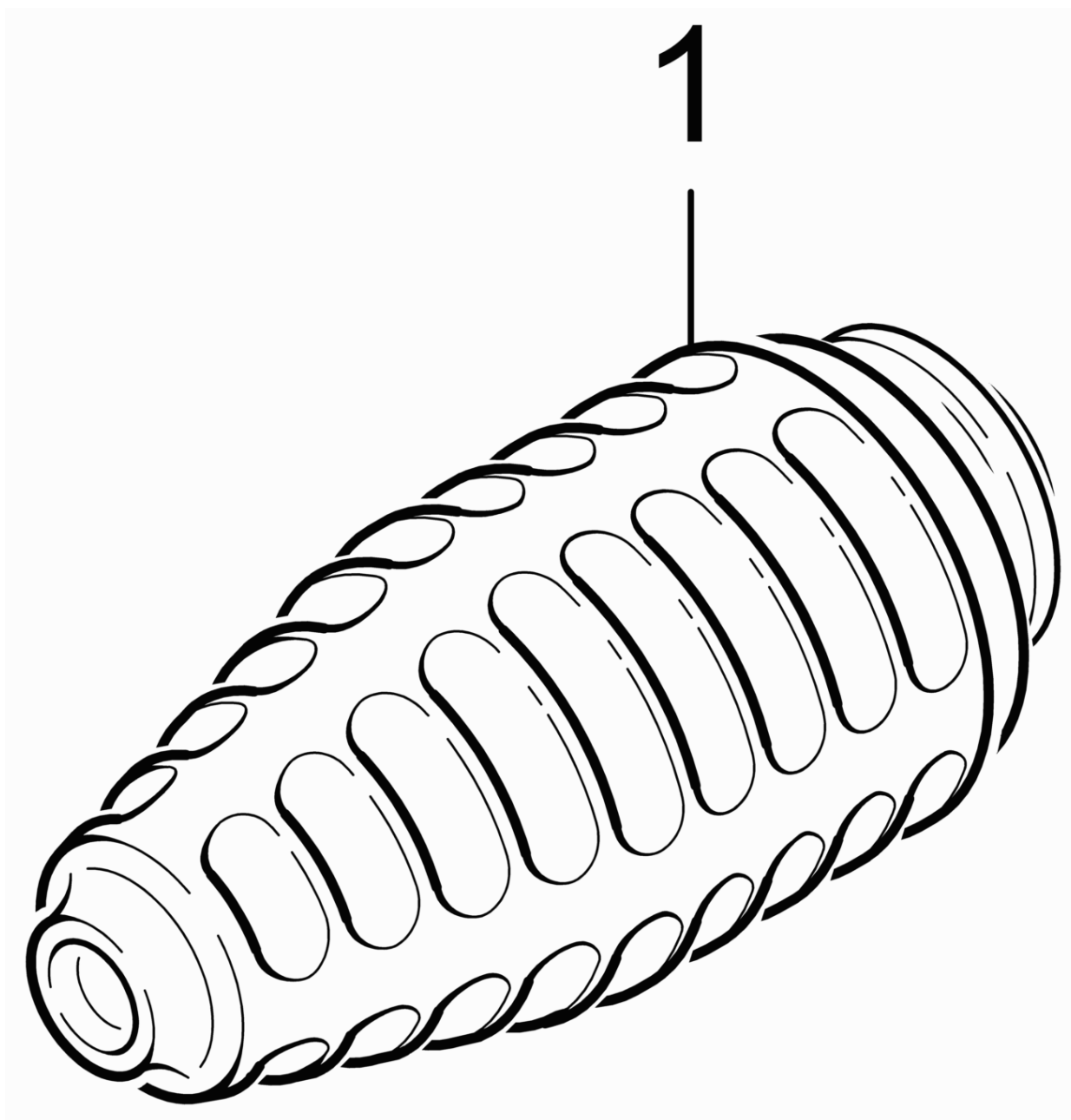
10 Triple jet nozzle plastics

POS	Article no.	Description	Quantity	Unit
5	5.321-884.0	Clamp	1.000	ST
6	5.311-236.0	Nut	1.000	ST
7	6.362-480.0	O-Ring seal 12,42x 1,78	1.000	ST
4	7.362-039.0	O-Ring seal 15,5x1,5 -NBR70 DIN 3771	1.000	ST
3	6.362-409.0	O-Ring seal 32,0 X 1,5	1.000	ST
2	6.343-150.0	Pin 03	1.000	ST
8	5.394-874.0	Protection part	1.000	ST
1	5.394-530.0	Protection part complete	1.000	ST
9	7.401-902.0	Sphere 5 G20 -1.4034 DIN 5401	2.000	ST



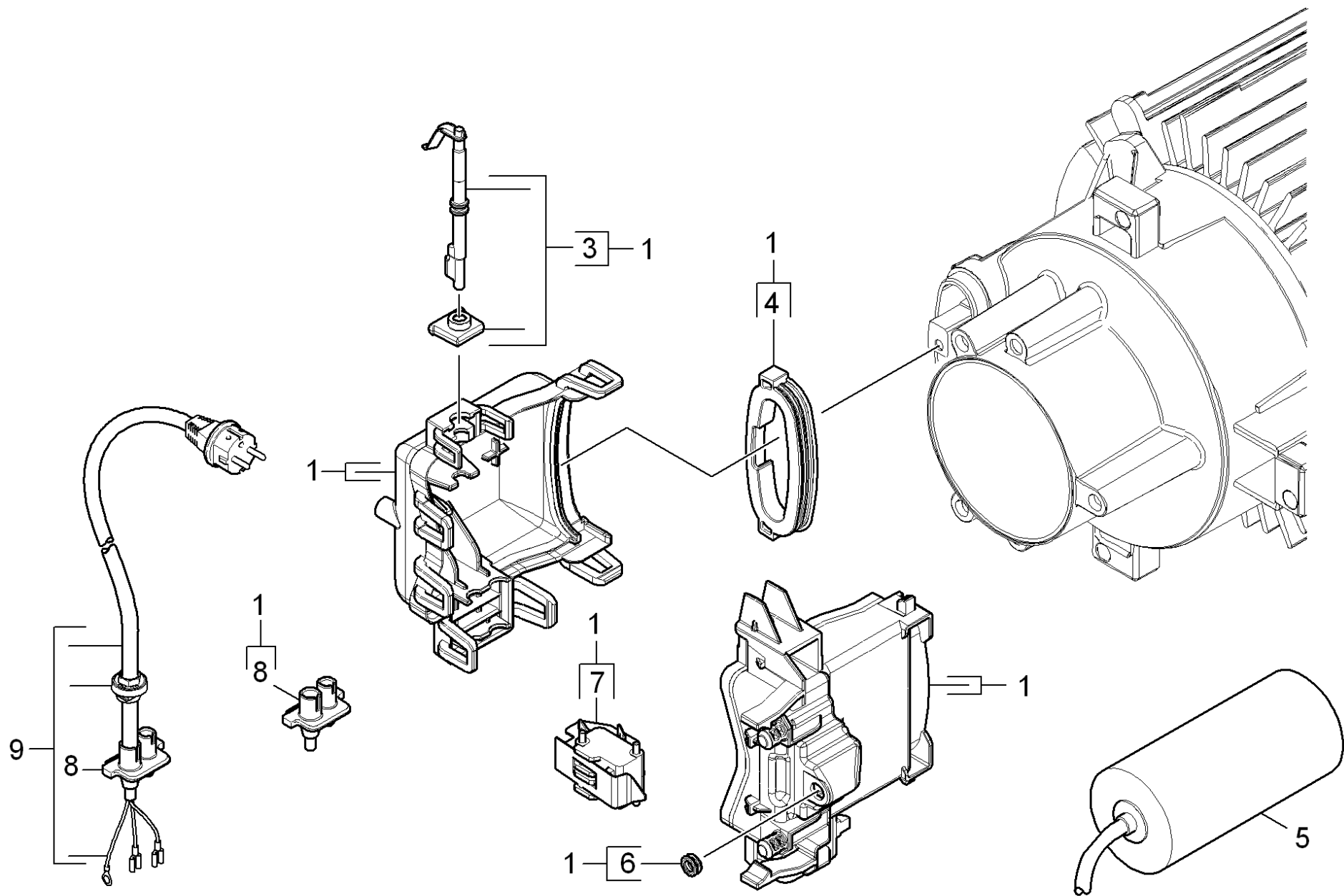
20 Triple jet nozzle brass

POS	Article no.	Description	Quantity	Unit
5	5.321-884.0	Clamp	1.000	ST
6	5.311-225.0	Nut	1.000	ST
7	6.362-480.0	O-Ring seal 12,42x 1,78	1.000	ST
4	6.362-460.0	O-Ring seal 14,0 X 2,5-NBR 70	1.000	ST
3	6.362-409.0	O-Ring seal 32,0 X 1,5	1.000	ST
2	6.343-150.0	Pin 03	1.000	ST
8	5.394-859.0	Protection part	1.000	ST
1	5.394-530.0	Protection part complete	1.000	ST
9	7.401-902.0	Sphere 5 G20 -1.4034 DIN 5401	2.000	ST



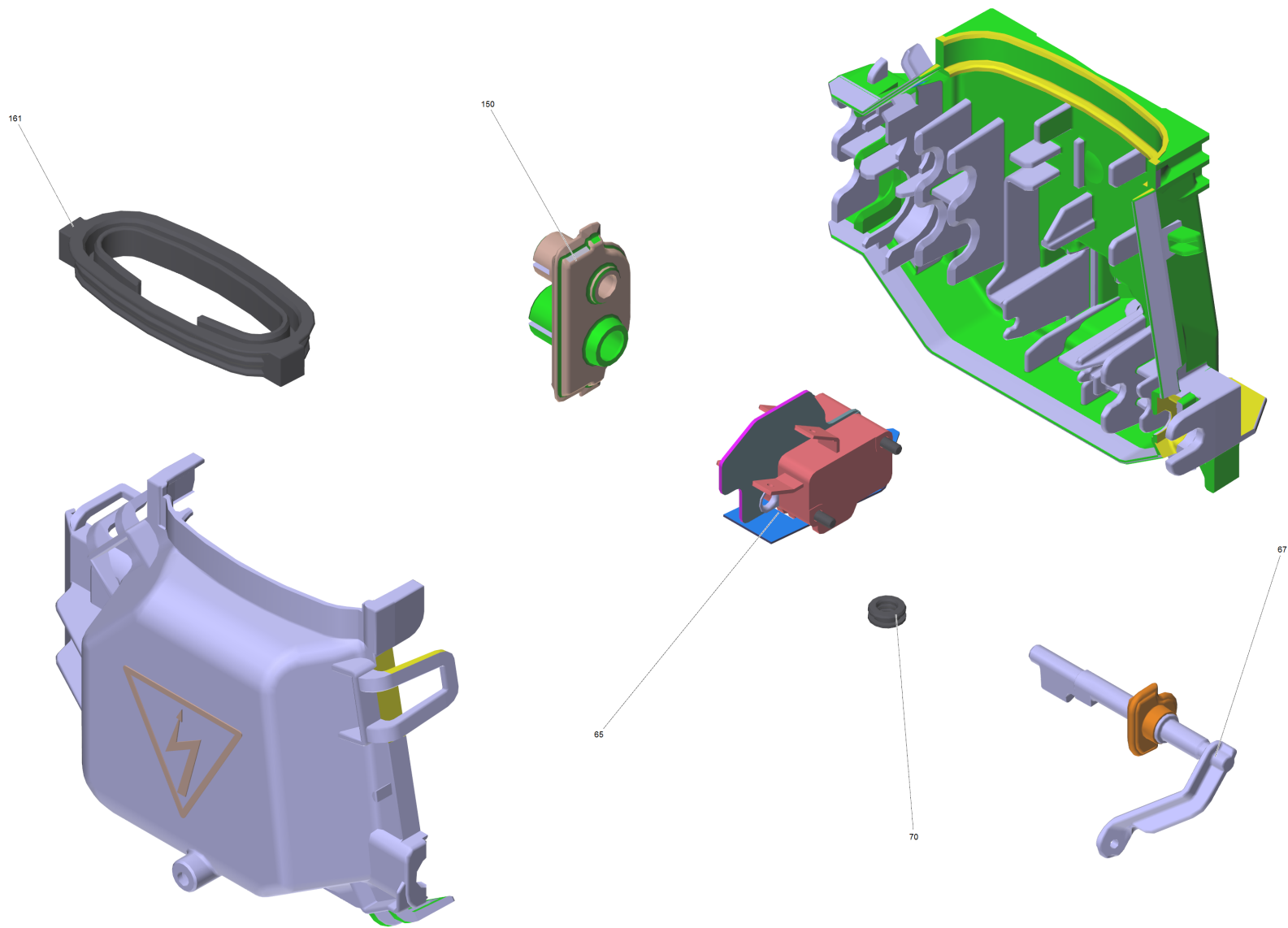
45 Dirt blaster

POS	Article no.	Description	Quantity	Unit
1	4.767-041.0	Dirt blaster packaged 03	1.000	ST



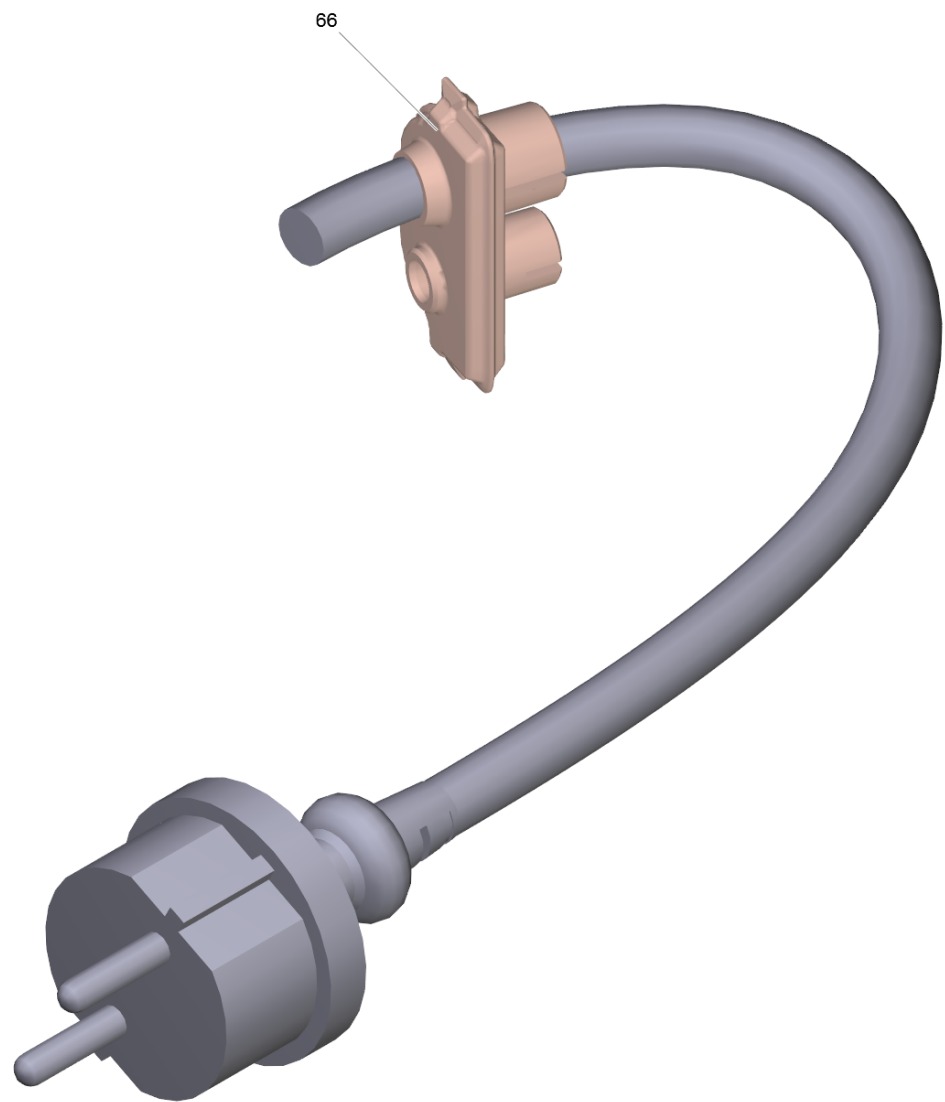
50 Electric box

POS	Article no.	Description	Quantity	Unit
9	6.650-201.0	Cable with plug *EU	1.000	ST
5	6.650-109.0	Capacitor with cable 40 µF (Silikon)	1.000	ST
7	6.961-000.0	Micro switch	1.000	ST
8	5.363-807.0	Seal cable HDC	1.000	ST
6	5.363-749.0	Seal control piston	1.000	ST
4	5.363-761.0	Seal label	1.000	ST
3	2.885-376.0	Selector shaft spare parts set HDC	1.000	ST
1	2.885-375.0	Spare parts set electric box complete HD	1.000	ST



1 Spare parts set electric box complete HD (2.885-375.0)

POS	Article no.	Description	Quantity	Unit
65	6.961-000.0	Micro switch	1.000	ST
150	5.363-807.0	Seal cable HDC	1.000	ST
70	5.363-749.0	Seal control piston	1.000	ST
161	5.363-761.0	Seal label	1.000	ST
67	2.885-376.0	Selector shaft spare parts set HDC	1.000	ST



9 Cable with plug *EU (6.650-201.0)

POS	Article no.	Description	Quantity	Unit
66	5.363-807.0	Seal cable HDC	1.000	ST
