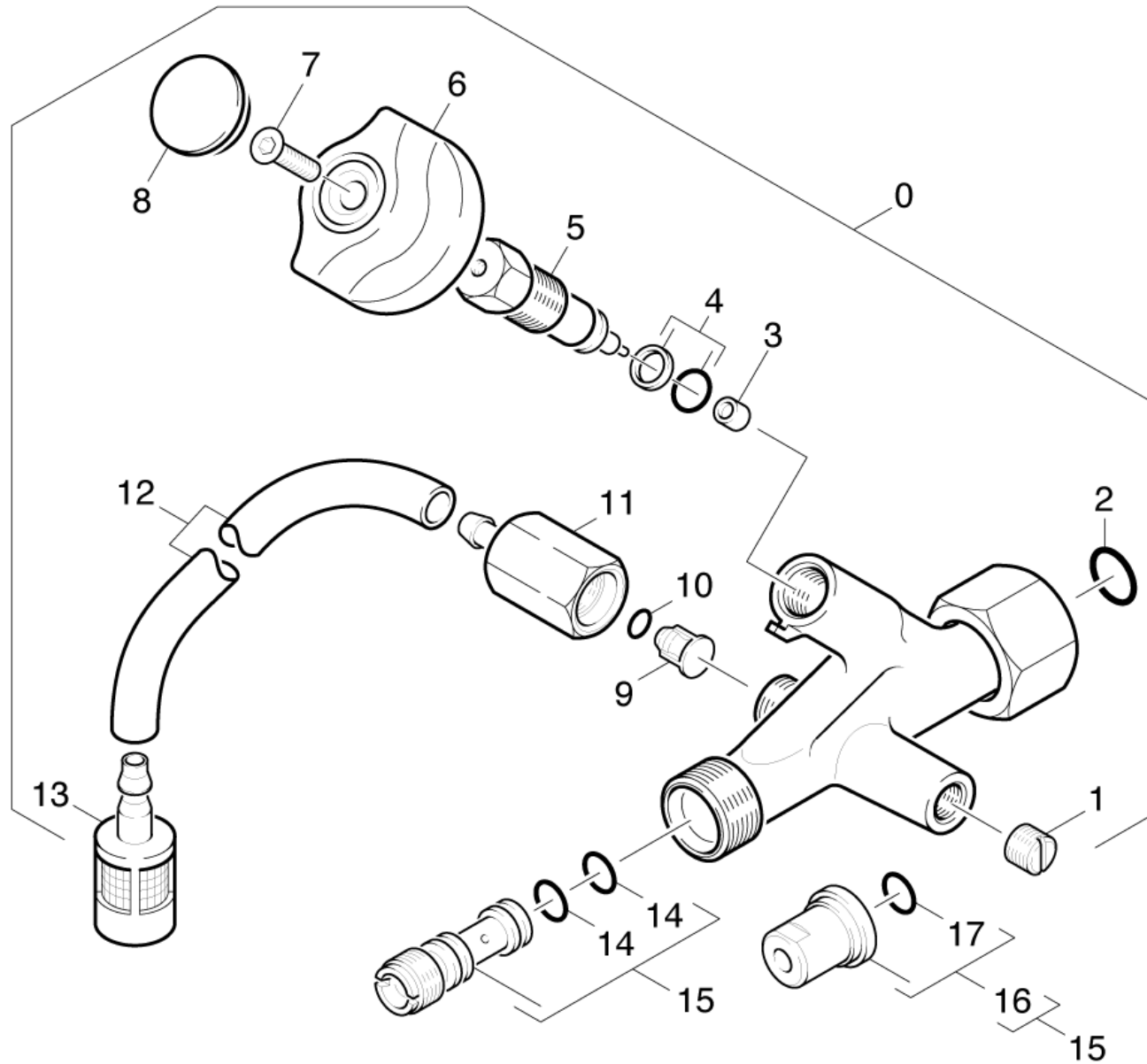


10 Add-on kit injector

Professional \ High pressure cleaner hotwater \ Accessories \ Add-on kit injector cleaning agents HD/H \ Spare parts list injector cleaning agent \ Add-on kit injector



10 Add-on kit injector

Professional \ High pressure cleaner hotwater \ Accessories \ Add-on kit injector cleaning agents HD/H \ Spare parts list injector cleaning agent \ Add-on kit injector



POS	Article no.	Description	Quantity	Unit	Foot note text
17	2.880-154.0	O-Ring kit	1	PC	
16	2.883-399.0	Power nozzle 25050	1	PC	HDS 500 - 700 L/H
16	2.883-400.0	Power nozzle 25052	1	PC	HD 500 - 700 L/H
16	2.883-404.0	Power nozzle 25070	1	PC	HD-HDS 750 - 1000 L/H
16	2.883-407.0	Power nozzle 25090	1	PC	HD-HDS 1000 - 1200 L/H
9	4.584-022.0	Valve pin complete	1	PC	
15	4.769-045.0	Nozzle insert HD-GER.500-700 L/H	1	PC	HD 500 - 700 L/H
15	4.769-046.0	Nozzle insert HDS-GER.500-700L/H	1	PC	HDS 500 - 700 L/H
15	4.769-047.0	Nozzle insert HDS-GER.750-1000L/H	1	PC	HD-HDS 750 - 1000 L/H
15	4.769-048.0	Nozzle insert	1	PC	HD-HDS 1000 - 1200 L/H
8	5.132-010.0	Plug	1	PC	
6	5.321-101.0	Handhold	1	PC	
11	5.443-478.0	Hose stem	1	PC	
3	5.581-258.0	Valve seat	1	PC	
13	5.731-652.0	Filter with weight	1	PC	
4	6.362-365.0	O-Ring seal complete 1ST.-R.- 7,65X 1,7	1	PC	
14	6.362-384.0	O-Ring seal 9x1,5 - NBR 70	2	PC	
2	6.362-392.0	O-Ring seal 10,0 X 2,0	1	PC	
10	6.363-613.0	O-Ring seal 4 x 2 -NBR90	1	PC	
12	6.388-216.0	Hose DN 5	2	m	TO ORDER AS CUT GOODS
7	7.305-253.0	Countersunk screw M 4x12-4.8-A2E ISO 70	1	PC	
1	7.307-301.0	Threaded pin M10X 12-A1-50 ISO 7435	1	PC	
5	7.777-999.0	Stockpiling discontinued	1	PC	