

Spare parts list

(1.438-101.0) SC 1502 *EUR

Table of contents

SC 1502 *EUR (1.438-101.0)	3
Spare parts list SC 1502 (5.970-112.0)	4
10 Individual parts	5
11 Appliance top part	6
12 Appliance bottom part	8
13 Appliance bottom part	10
20 Steam drum	12
30 Extension and hose	14
40 Accessories	16
3 Window nozzle special accessories (2.863-025.0)	18
4 Dirt blaster black steamer (4.767-059.0)	20
11 Spare parts list dirt blaster steamer (5.958-681.0)	21
10 Dirt blaster	22
5 Point jet nozzle complete PA (4.130-021.0)	24
7 Power nozzle (2.884-282.0)	26
50 Smoothing iron	28
51 Smoothing iron	29
52 Smoothing iron	31
53 Smoothing iron	33

SC 1502 *EUR (1.438-101.0)

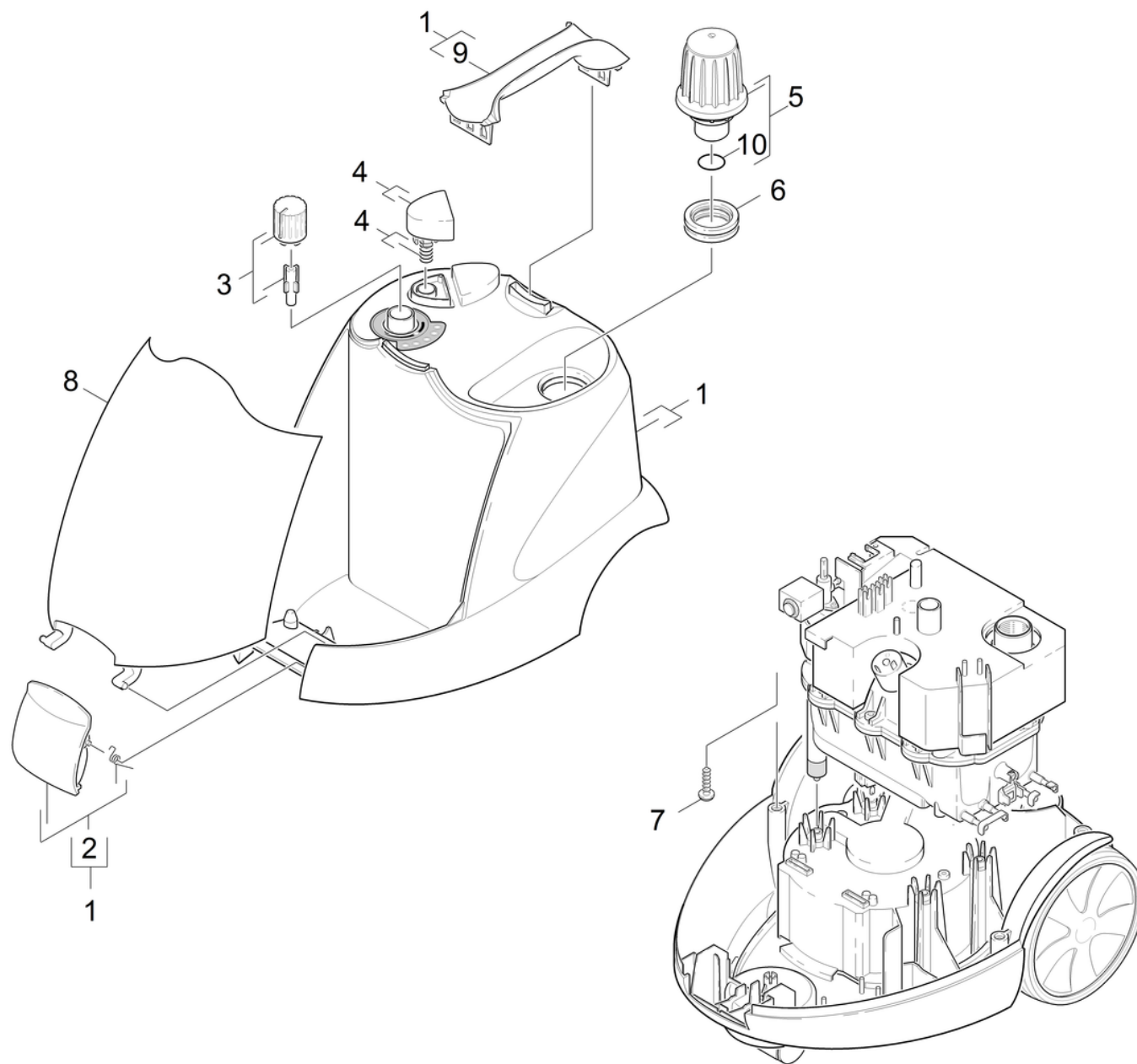
POS	Article no.	Description	Quantity	Unit
0	5.970-112.0	Spare parts list SC 1502	1.000	ST
	Item text2: 14381010			

Spare parts list SC 1502 (5.970-112.0)

POS	Description	Quantity	Unit
10	Individual parts	1.000	ST
20	Steam drum	1.000	ST
30	Extension and hose	1.000	ST
40	Accessories	1.000	ST
50	Smoothing iron	1.000	ST

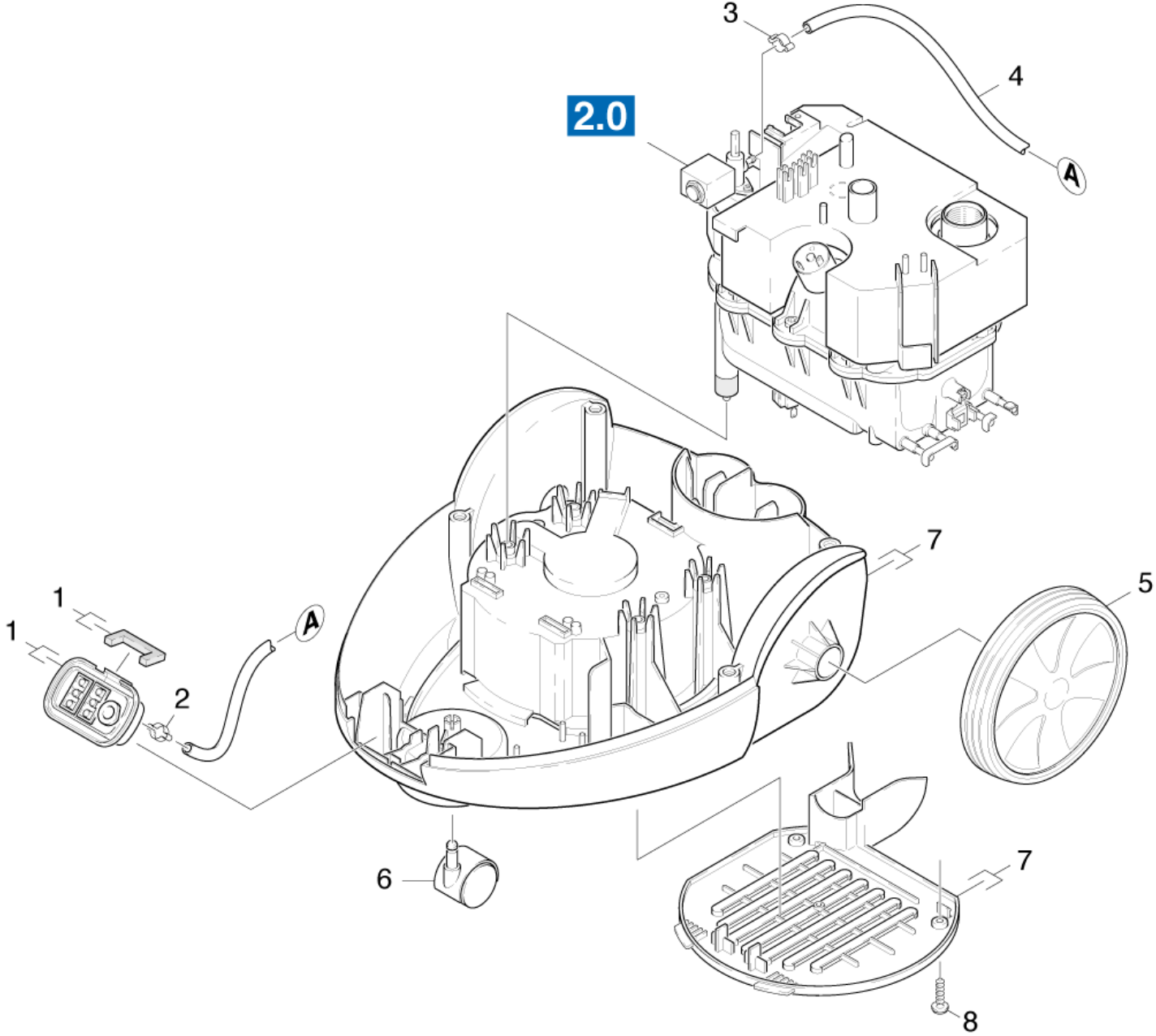
10 Individual parts

POS	Description	Quantity	Unit
11	Appliance top part	1.000	ST
12	Appliance bottom part	1.000	ST
13	Appliance bottom part	1.000	ST



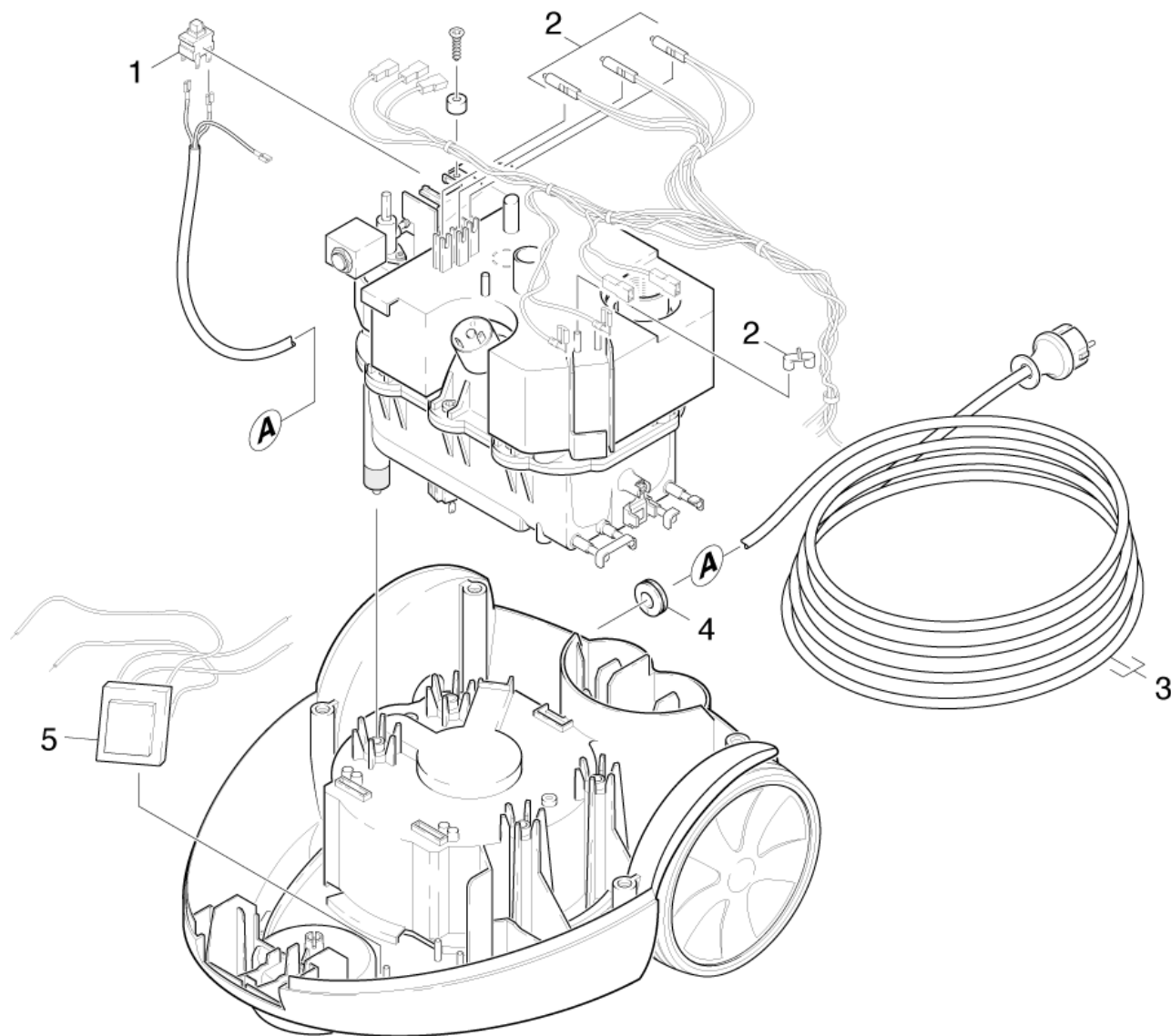
11 Appliance top part

POS	Article no.	Description	Quantity	Unit
1	4.060-548.0	Housing kit SC 1502	1.000	ST
2	4.063-757.0	Covering cap complete	1.000	ST
3	4.321-163.0	Button complete only for replacement	1.000	ST
4	4.324-014.0	Pushbutton completely	1.000	ST
5	4.590-093.0	Safety lock 3/4"-0,7MPa (7bar)	1.000	ST
6	5.363-380.0	Seal	1.000	ST
7	7.303-108.0	Screw 5x20 -10.9-R2R (In6Rd)	6.000	ST
8	4.063-760.0	Cover accessory shed	1.000	ST
9	5.321-700.0	Handhold	1.000	ST
10	6.362-927.0	O-Ring seal 21,89X 2,62 -EPDM	1.000	ST



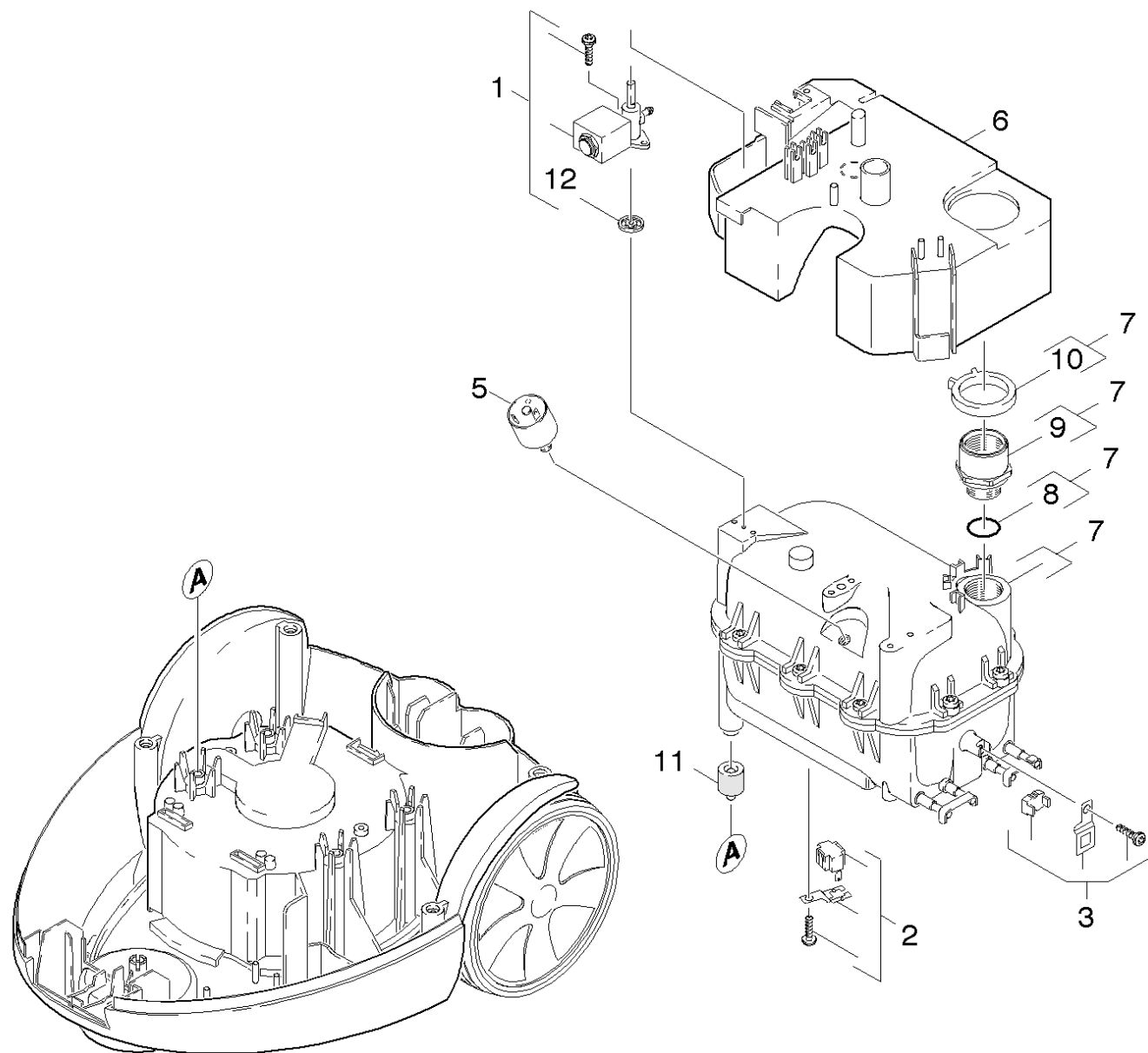
12 Appliance bottom part

POS	Article no.	Description	Quantity	Unit
1	4.030-130.0	Plug socket complete	1.000	ST
2	6.389-882.0	Hose clip 8,5-10,0	1.000	ST
3	6.389-993.0	Hose clip 7,5 - 9,0	1.000	ST
4	6.389-862.0	Hose silicon DN4	1.000	M
5	5.515-190.0	Wheel	2.000	ST
6	6.435-857.0	Castor	1.000	ST
7	4.060-543.0	Housing bottom part only for replacement	1.000	ST
8	7.303-106.0	Screw 4x12 -10.9-R2R (IN6RD)	2.000	ST



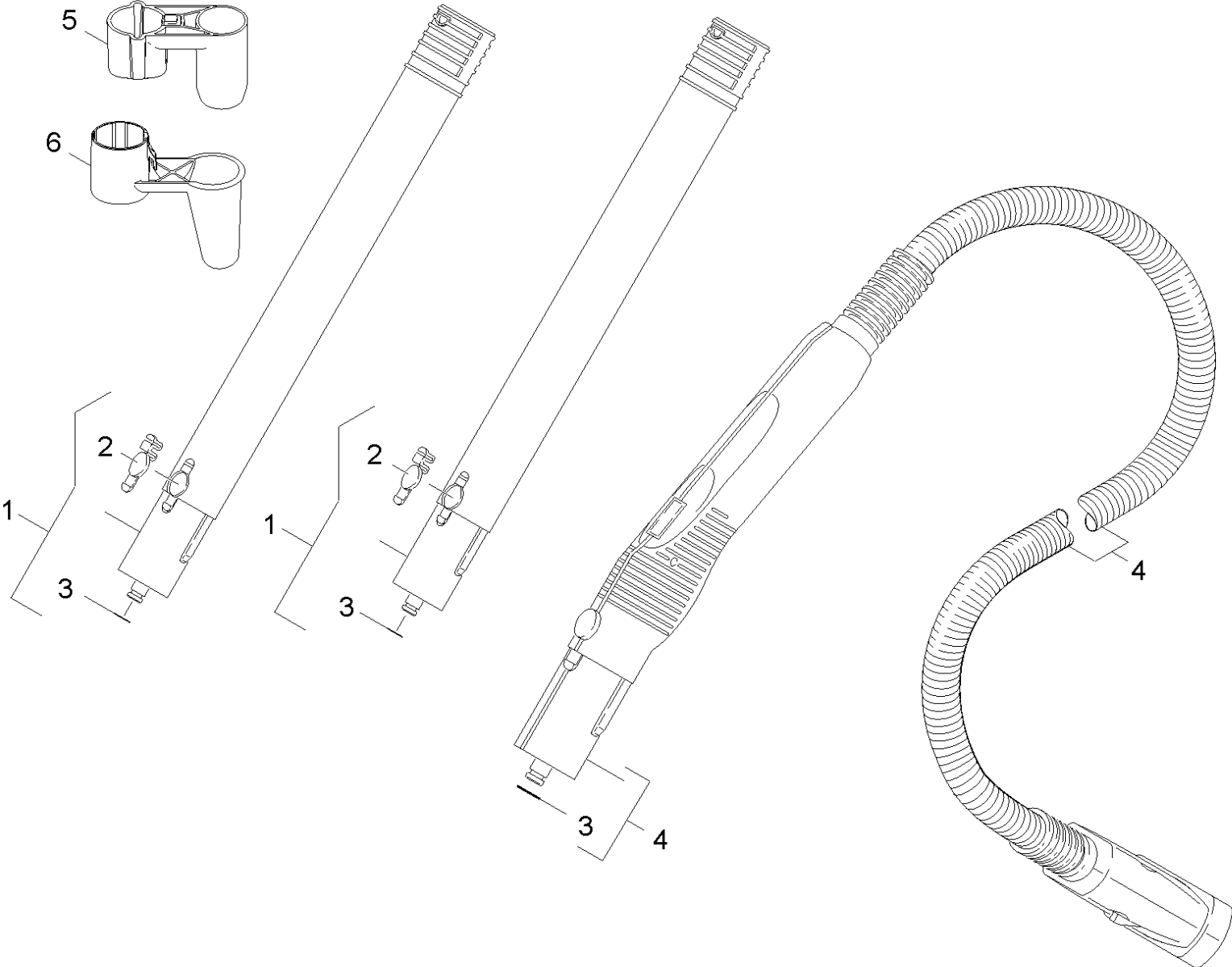
13 Appliance bottom part

POS	Article no.	Description	Quantity	Unit
1	6.630-437.0	Switch on/off	1.000	ST
2	7.777-999.0	Stockpiling discontinued	1.000	ST
3	6.649-137.0	Cable with plug *AUS	1.000	ST
	Item text1: / 1.438-104.0 / -113.0			
3	6.650-088.0	Cable with plug *CH	1.000	ST
	Item text1: / 1.438-102.0 / -111.0 / -116.0			
3	6.649-021.0	Cable with plug *GB	1.000	ST
	Item text1: / 1.438-103.0 / -112.0			
3	6.649-016.0	Cable with plug *EU	1.000	ST
	Item text1: / 1.438-101.0 / -110.0 / -115.0			
	Item text2: / -117.0 / -118.0			
4	5.363-596.0	Sealing	1.000	ST
5	6.622-184.0	Transformer 10VA 230V	1.000	ST



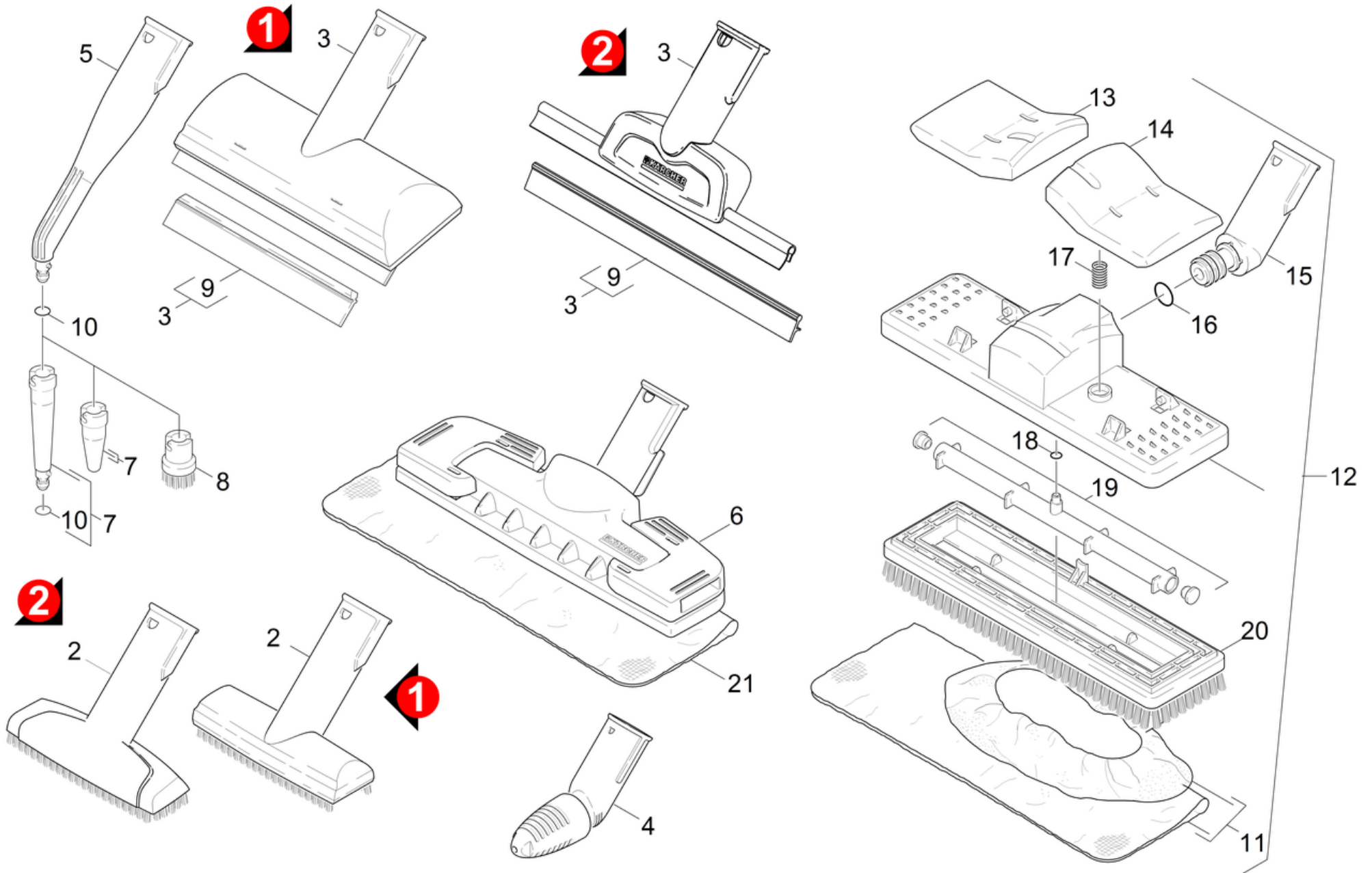
20 Steam drum

POS	Article no.	Description	Quantity	Unit
1	4.743-016.0	Solenoid valve complete only for replace	1.000	ST
2	4.746-028.0	Thermostat complete Wama	1.000	ST
3	4.746-029.0	Thermostat complete	1.000	ST
5	6.413-284.0	Pressure controller 0,4MPa	1.000	ST
6	5.032-382.0	Covering cap boiler	1.000	ST
7	4.070-481.0	Boiler complete	1.000	ST
8	6.363-002.0	O-Ring seal 22,3X2,4	1.000	ST
9	5.402-681.0	Screw union	1.000	ST
10	5.343-016.0	Locking ring	1.000	ST
11	5.767-006.0	Rubber buffer	4.000	ST
12	5.363-602.0	Seal	1.000	ST



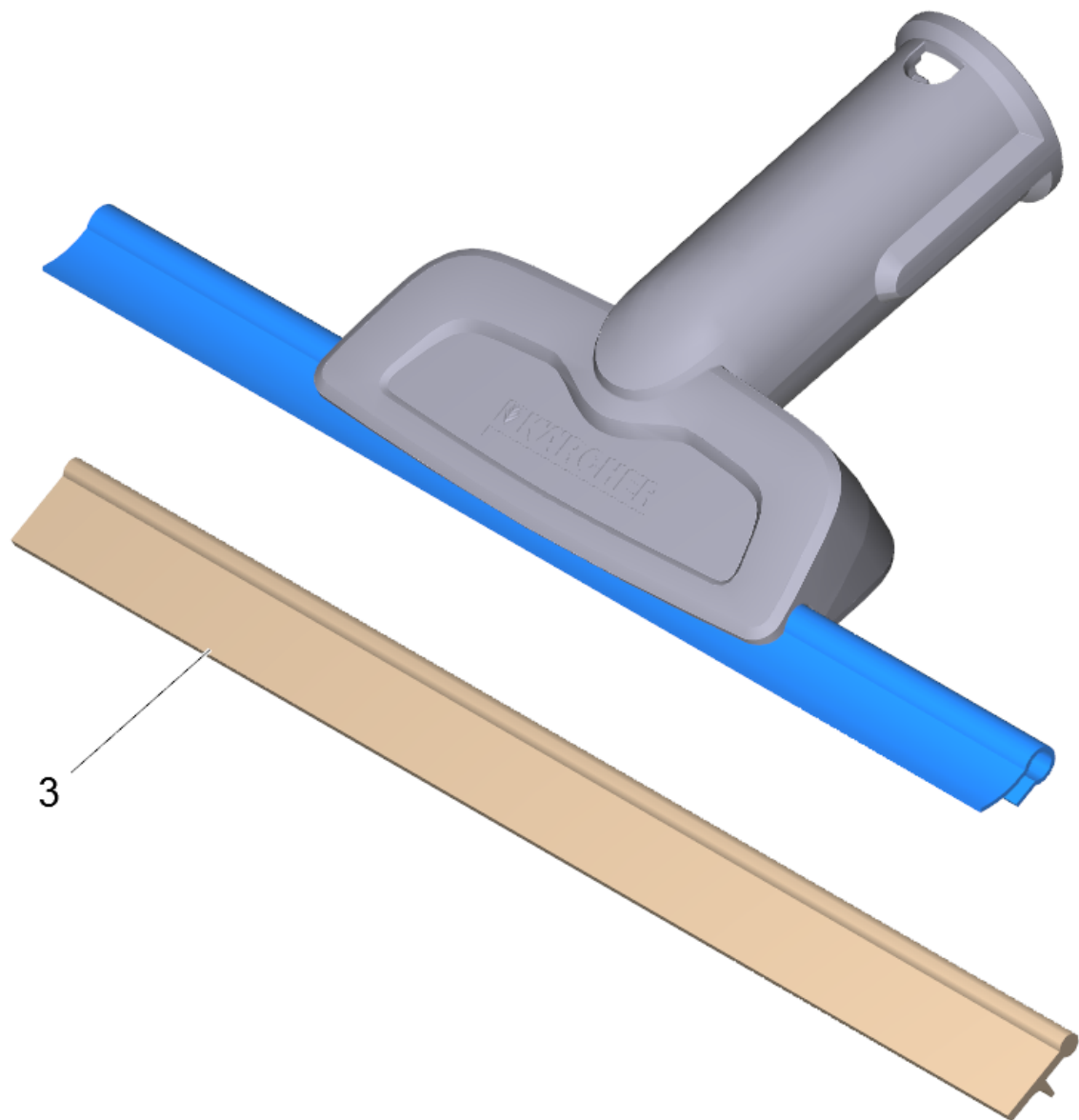
30 Extension and hose

POS	Article no.	Description	Quantity	Unit
1	4.127-023.0	Extension pipe	2.000	ST
2	5.037-157.0	Snap-fit pipe yellow	2.000	ST
3	6.362-922.0	O-Ring seal 8,73x1,78	4.000	ST
4	4.321-155.0	Steam hose complete	1.000	ST
5	5.032-381.0	Parking nip	1.000	ST
	Item text1: / 4.127-019.0			
6	5.032-756.0	Parking nip	1.000	ST
	Item text1: / 4.127-023.0			



40 Accessories

POS	Article no.	Description	Quantity	Unit	Foot note text
2	2.884-280.0	Hand nozzle	1.000	ST	VERSION 2
2	2.884-280.0	Hand nozzle	1.000	ST	VERSION 1
3	7.777-999.0	Stockpiling discontinued	1.000	ST	VERSION 1
3	2.863-025.0	Window nozzle special accessories	1.000	ST	VERSION 2
4	4.767-059.0	Dirt blaster black steamer	1.000	ST	
5	4.130-021.0	Point jet nozzle complete PA	1.000	ST	
6	4.130-018.3	Floor tool better	1.000	ST	
7	2.884-282.0	Power nozzle	1.000	ST	
8	2.863-058.0	Bristle rink set	1.000	ST	
9	6.273-140.0	Rubber lip	1.000	ST	VERSION 1
9	5.512-125.0	Rubber lip	1.000	ST	VERSION 2
10	6.362-924.0	O-Ring seal 6,02X 2,62	2.000	ST	
11	6.960-019.0	Cloth set	1.000	ST	
12	7.777-999.0	Stockpiling discontinued	1.000	ST	
13	5.044-238.0	Holder	1.000	ST	
14	5.044-237.0	Holder	1.000	ST	
15	5.408-058.0	Tube elbow	1.000	ST	
16	6.362-883.0	O-Ring seal 18,0 X 2,5-EPDM	1.000	ST	
17	6.330-016.0	Spring	1.000	ST	
18	6.362-881.0	O-Ring seal 6,07X 1,78 -EPDM	1.000	ST	
19	5.768-038.0	Nozzle body	1.000	ST	
20	5.762-237.0	Brush insert black	1.000	ST	
21	6.369-357.0	Cloth set	1.000	ST	



3 Window nozzle special accessories (2.863-025.0)

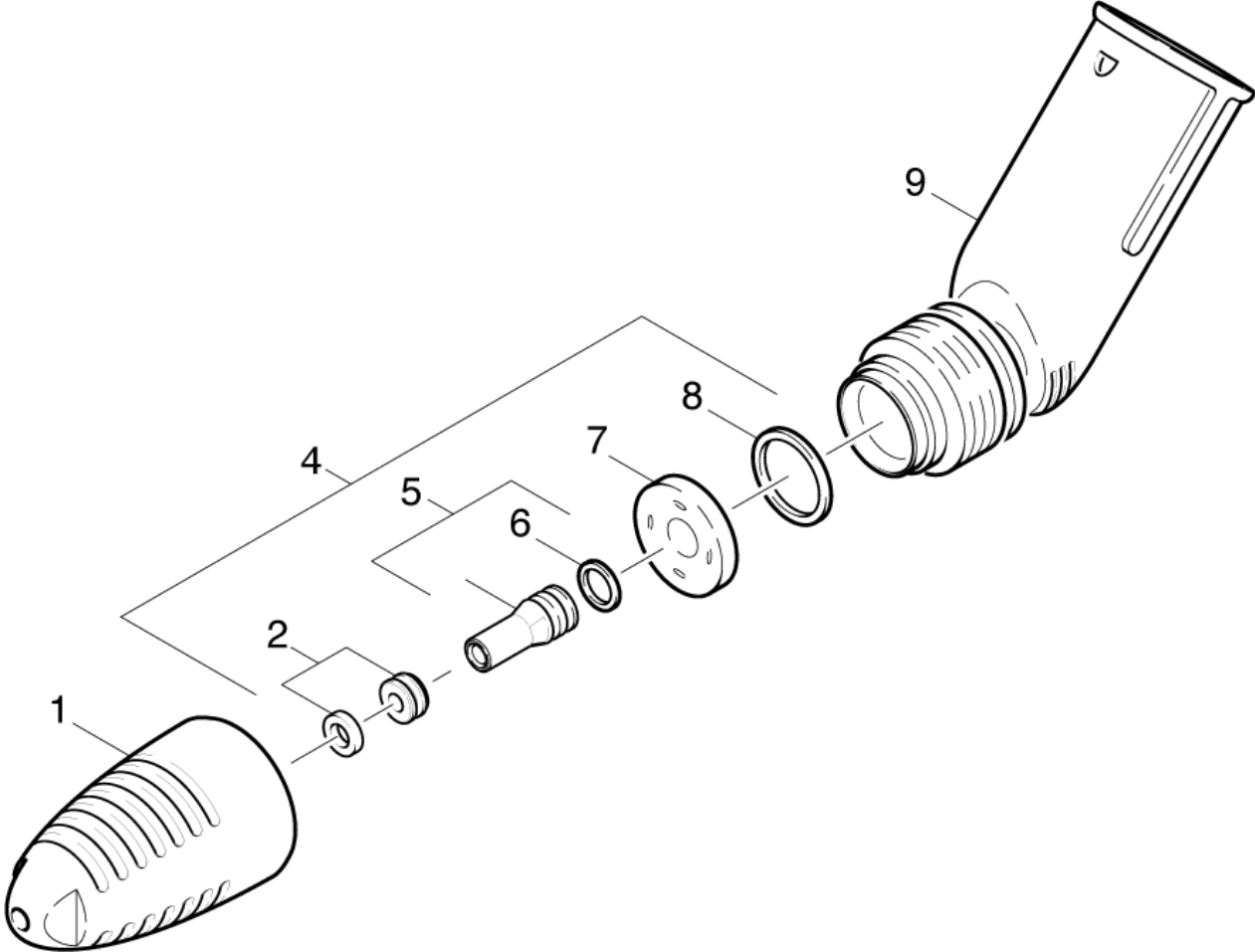
POS	Article no.	Description	Quantity	Unit
3	5.512-125.0	Rubber lip	1.000	ST

4 Dirt blaster black steamer (4.767-059.0)

POS	Article no.	Description	Quantity	Unit
11	5.958-681.0	Spare parts list dirt blaster steamer	1.000	ST
	Item text2: 47670590			

11 Spare parts list dirt blaster steamer (5.958-681.0)

POS	Description	Quantity	Unit
10	Dirt blaster	1.000	ST



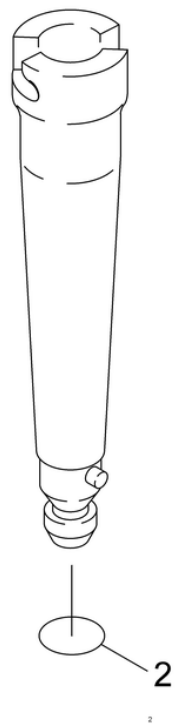
10 Dirt blaster

POS	Article no.	Description	Quantity	Unit
1	5.063-951.0	Cover	1.000	ST
2	4.250-046.0	Bearing ring only for replacement 111G	1.000	ST
4	4.880-034.0	Spare part set steam nozzle rotary	1.000	ST
5	4.764-146.0	Nozzle holder only for replacement	1.000	ST
6	6.362-528.0	O-Ring seal 9,5 X 2,0	1.000	ST
7	5.763-044.0	Nozzle plate	1.000	ST
8	6.362-831.0	O-Ring d. 22x2 NBR 90	1.000	ST
9	5.408-064.0	Tube elbow	1.000	ST



5 Point jet nozzle complete PA (4.130-021.0)

POS	Article no.	Description	Quantity	Unit
2	6.362-186.0	O-Ring seal 7,65X 1,78	1.000	ST

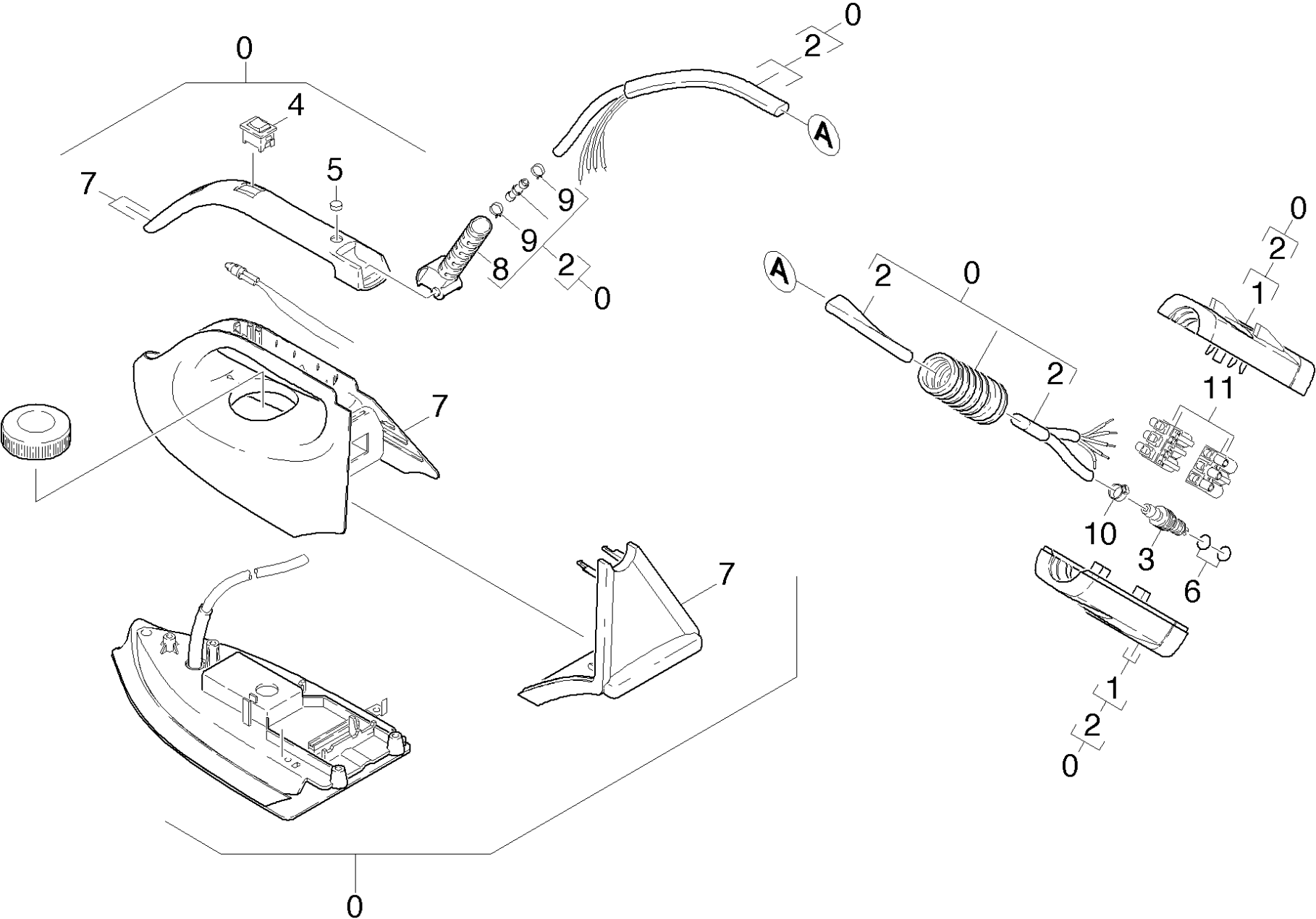


7 Power nozzle (2.884-282.0)

POS	Article no.	Description	Quantity	Unit
2	6.362-924.0	O-Ring seal 6,02X 2,62	1.000	ST

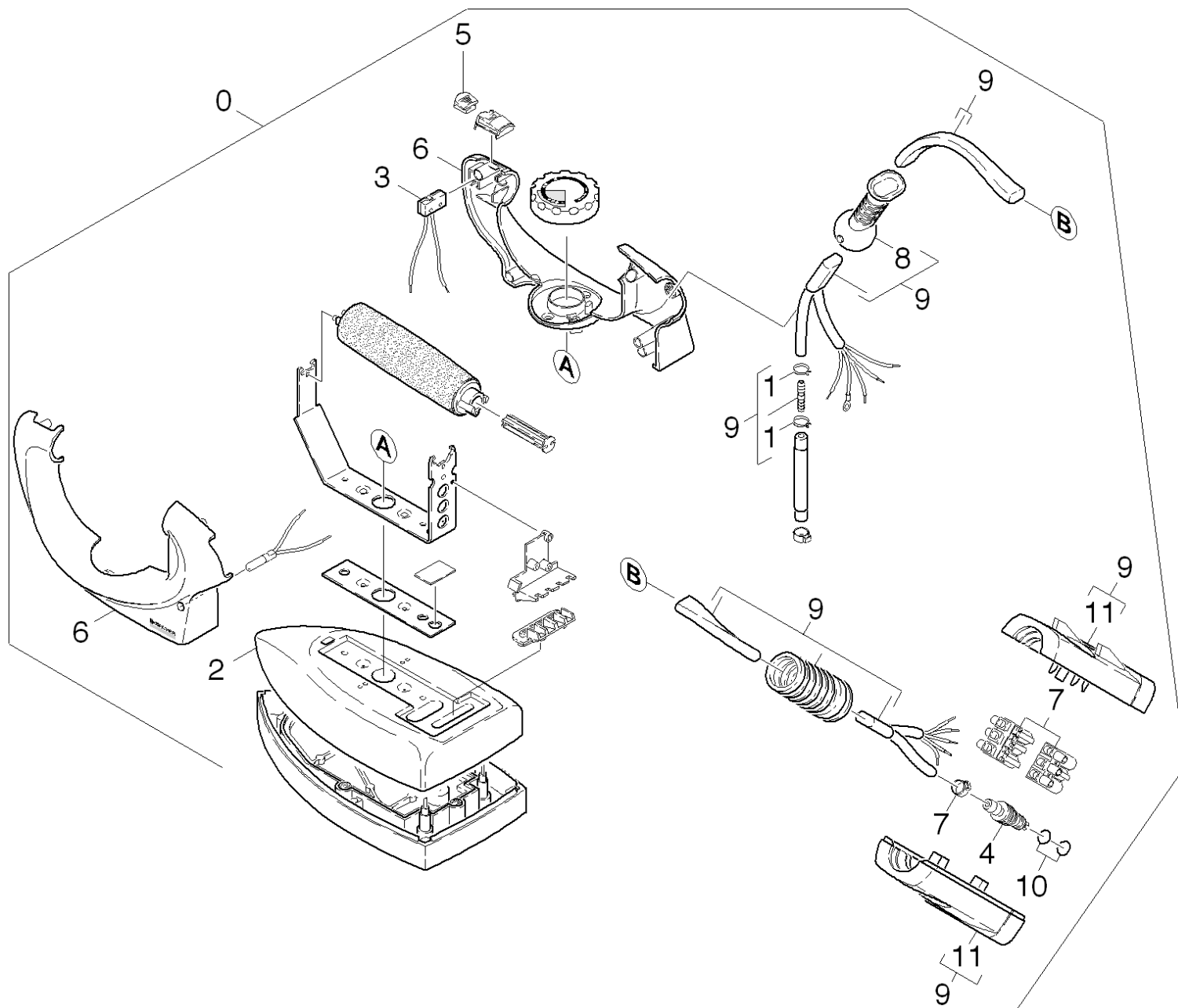
50 Smoothing iron

POS	Description	Quantity	Unit	Remark
51	Smoothing iron	1.000	ST	VERSION 1
52	Smoothing iron	1.000	ST	VERSION 2
53	Smoothing iron	1.000	ST	



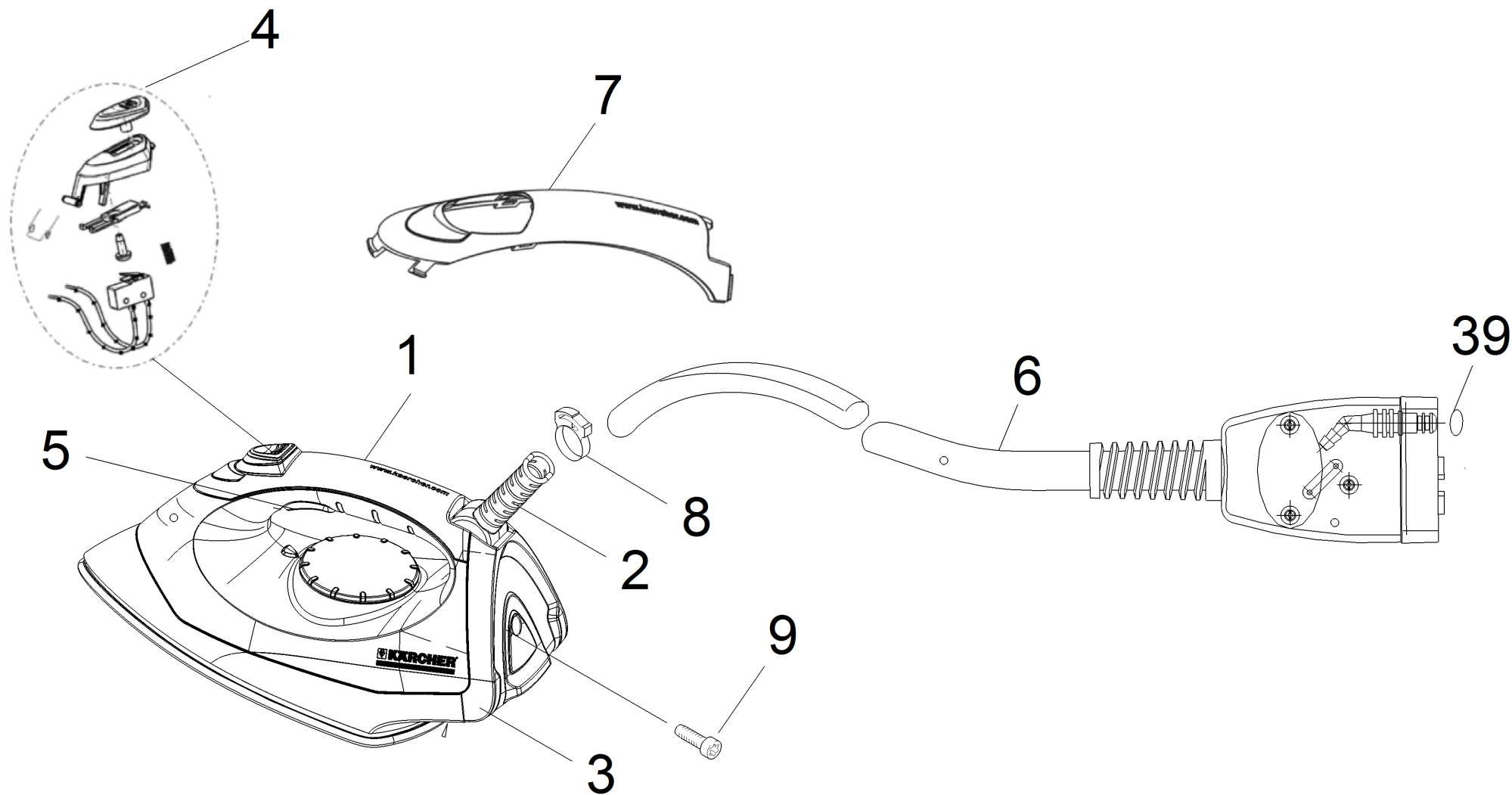
51 Smoothing iron

POS	Article no.	Description	Quantity	Unit
0	2.884-503.0	BE with packing I 6002	1.000	ST
	Item text1: / 1.438-110.0			
1	5.032-780.0	Plug shells	1.000	ST
2	4.321-176.0	Steam hose complete BE	1.000	ST
3	5.553-339.0	Piston	1.000	ST
4	5.744-020.0	Micro switch	1.000	ST
5	5.032-476.0	Cap	1.000	ST
6	6.362-923.0	O-Ring seal 6,75X 1,78	2.000	ST
7	4.060-546.0	Housing complete	1.000	ST
8	5.394-678.0	Bend protection	1.000	ST
9	6.992-085.0	Clamp	2.000	ST
10	6.389-992.0	Hose clip	1.000	ST
11	6.646-595.0	Plug element yellow	1.000	ST



52 Smoothing iron

POS	Article no.	Description	Quantity	Unit
0	2.884-503.0	BE with packing I 6002	1.000	ST
	Item text1: / 1.438-115.0			
1	6.992-085.0	Clamp	2.000	ST
2	7.777-999.0	Stockpiling discontinued	1.000	ST
3	6.992-039.0	Micro switch	1.000	ST
4	5.553-339.0	Piston	1.000	ST
5	7.777-999.0	Stockpiling discontinued	1.000	ST
6	5.605-272.0	Housing complete I 7002	1.000	ST
7	6.646-595.0	Plug element yellow	1.000	ST
8	5.394-681.0	Bend protection	1.000	ST
9	6.321-205.0	Steam hose complete n.f.Ers. 30_02076880	1.000	ST
10	6.362-923.0	O-Ring seal 6,75X 1,78	2.000	ST
11	5.032-780.0	Plug shells	1.000	ST
12	6.389-992.0	Hose clip	1.000	ST



53 Smoothing iron

POS	Article no.	Description	Quantity	Unit
1	4.862-004.0	Smoothing iron plug old I 6006	1.000	ST
2	5.862-023.0	Bend protection I 6006 bk	1.000	ST
3	6.862-000.0	Rear panel smoothing iron replacement I	1.000	ST
4	4.862-006.0	Set pushbutton smoothing iron I 6006	1.000	ST
5	5.862-031.0	Pushbutton bottom I 6006 bk	1.000	ST
6		Steam hose with cable old_I 6006	1.000	ST
7	4.512-113.0	Covering cap handhold replacement yw	1.000	ST
8	6.389-993.0	Hose clip 7,5 - 9,0	1.000	ST
9	7.303-092.0	Screw 3x12 -10.9-R2R (K-In6Rd)	1.000	ST
39	6.362-923.0	O-Ring seal 6,75X 1,78	2.000	ST