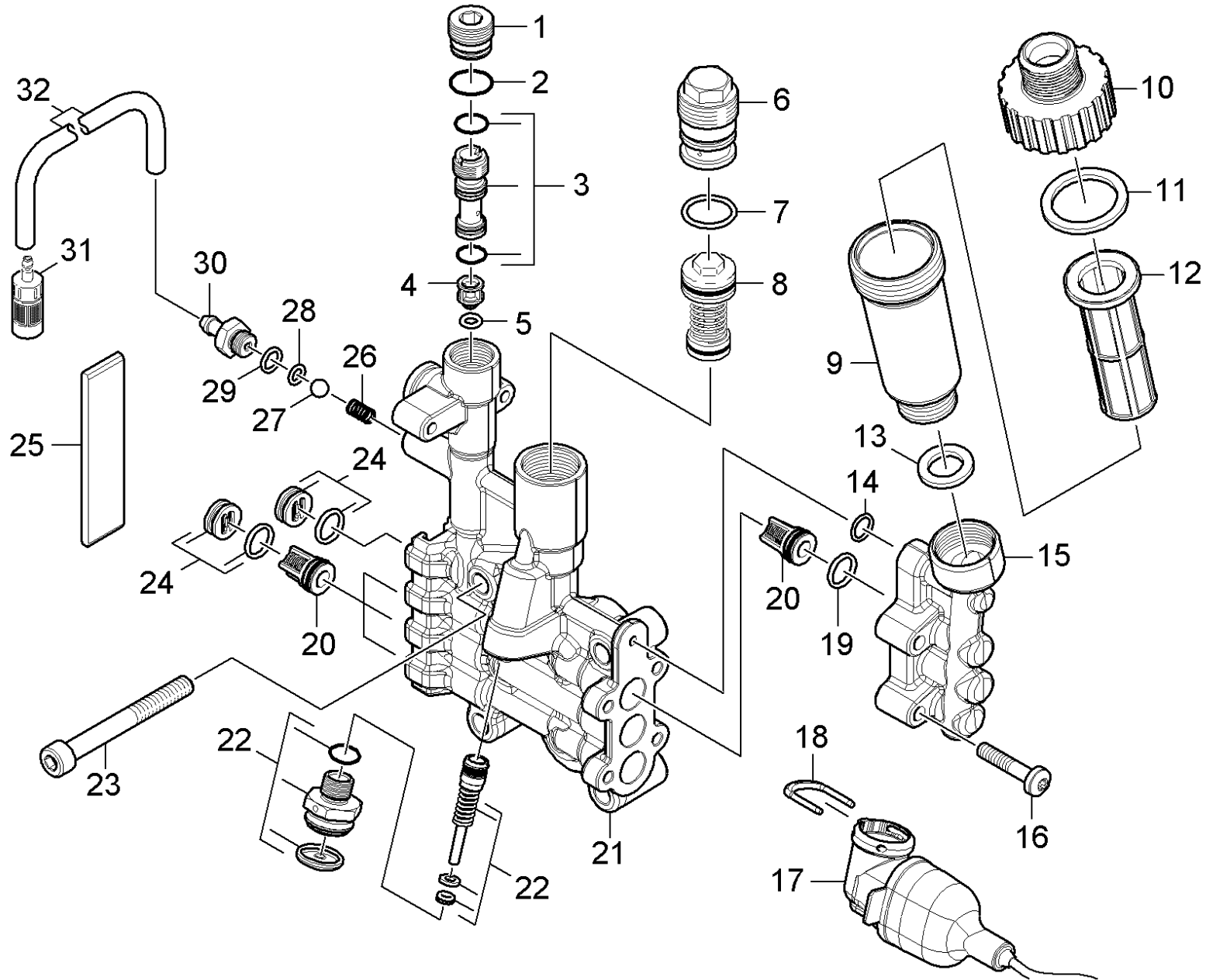


Spare parts list

Cylinder head

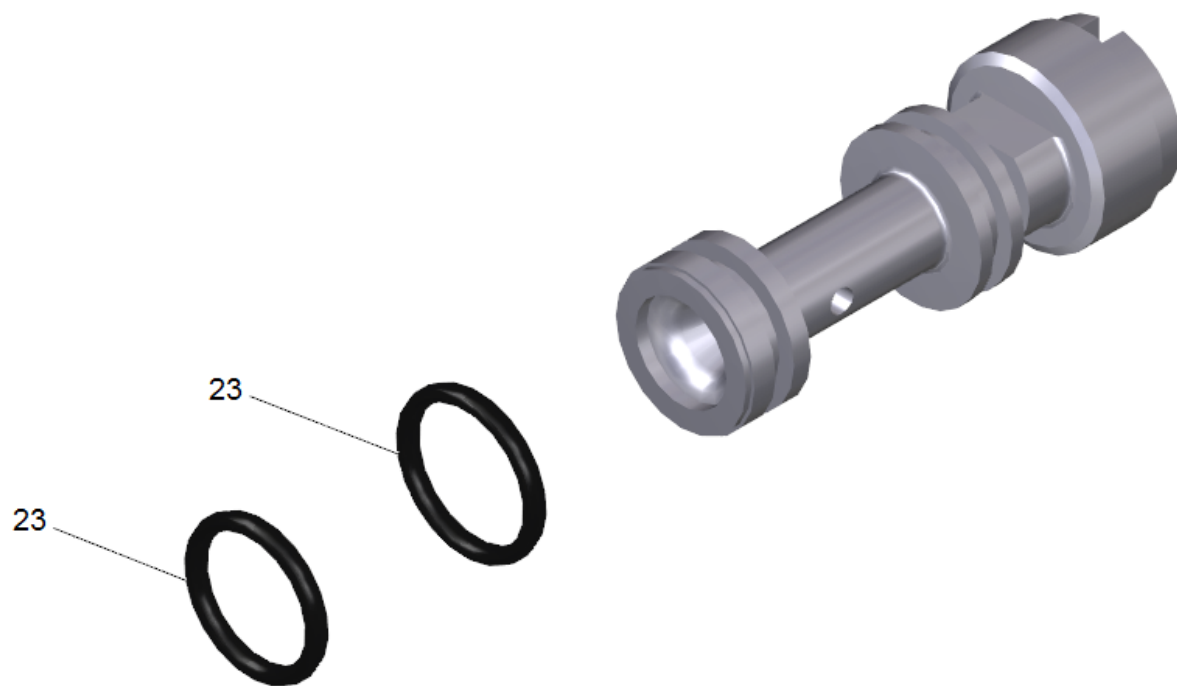
Table of contents

21 Cylinder head	3
3 Nozzle insert only for replacement (4.769-034.0)	5
4 Valve pin complete (4.584-022.0)	7
8 Overflow valve (4.591-038.0)	9
20 Valve (3 Stück) (2.884-916.0)	10
24 Drain plug only for replacement (4.132-007.0)	12
100 PUMP SET HD 5/12 C (2.883-997.0)	14
10 Drain plug only for replacement (4.132-007.0)	16
20 Valve (3 Stück) (2.884-916.0)	18



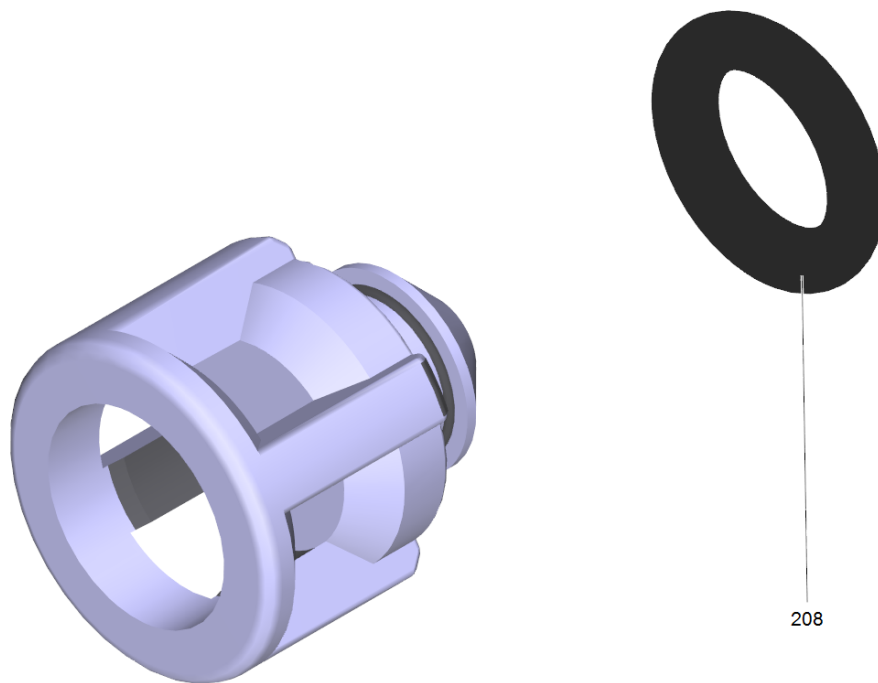
21 Cylinder head

POS	Article no.	Description	Quantity	Unit	Foot note text
1	5.411-171.0	Screw plug	1.000	ST	
2	6.362-480.0	O-Ring seal 12,42x 1,78	1.000	ST	
3	4.769-034.0	Nozzle insert only for replacement	1.000	ST	
4	4.584-022.0	Valve pin complete	1.000	ST	
5	6.363-613.0	O-Ring seal 4 x 2 -NBR90	1.000	ST	
6	5.411-172.0	Screw plug	1.000	ST	
7	6.362-989.0	O-Ring seal 18x2 - NBR 80	1.000	ST	
8	4.591-038.0	Overflow valve	1.000	ST	
9	5.731-003.0	Filter housing brass	1.000	ST	
10	5.064-354.0	Cover water intake	1.000	ST	
11	5.363-336.0	Seal	1.000	ST	
12	5.731-587.0	Water filter	1.000	ST	
13	5.363-545.0	Seal	1.000	ST	
14	6.362-384.0	O-Ring seal 9x1,5 - NBR 70	1.000	ST	
15	5.064-383.0	Suction cover	1.000	ST	
16	7.306-105.0	Screw M6x30 -8.8-R3R (In6Rd)	4.000	ST	
17	4.744-242.0	Switch kpl. -nur für Ersatz-	1.000	ST	
18	5.034-494.0	Retaining bracket	1.000	ST	
19	6.362-533.0	O-Ring seal 14,0 X 1,5-NBR 70	3.000	ST	
20	2.884-916.0	Valve (3 Stück)	2.000	ST	SET WITH 3 PIECES
21	5.550-372.0	Cylinder head	1.000	ST	
22	2.885-220.0	Spare part set control piston	1.000	ST	
23	7.306-106.0	Cylinder head screw M8x70 -8.8-A2E ISO4	4.000	ST	
24	4.132-007.0	Drain plug only for replacement	4.000	ST	
25	5.003-062.0	Plate	1.000	ST	
26	5.332-258.0	Helical spring	1.000	ST	
27	7.401-908.0	Sphere 7 G300 -1.4301 DIN 5401	1.000	ST	
28	6.363-597.0	O-Ring seal 5,28 x 1,78	1.000	ST	
29	6.362-113.0	O-Ring seal 6,0 x 2,0 NBR 70	1.000	ST	
30	5.443-624.0	Nipple	1.000	ST	
31	4.862-032.0	Filter chemistry regulation	1.000	ST	
32	6.388-216.0	Hose DN 5	1.000	M	TO ORDER AS CUT GOODS
100	2.883-997.0	PUMP SET HD 5/12 C	1.000	ST	



3 Nozzle insert only for replacement (4.769-034.0)

POS	Article no.	Description	Quantity	Unit
23	6.362-384.0	O-Ring seal 9x1,5 - NBR 70	2.000	ST



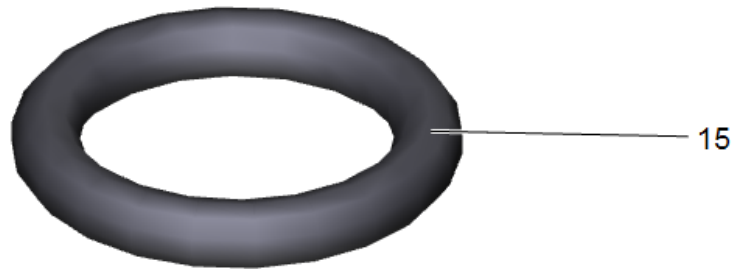
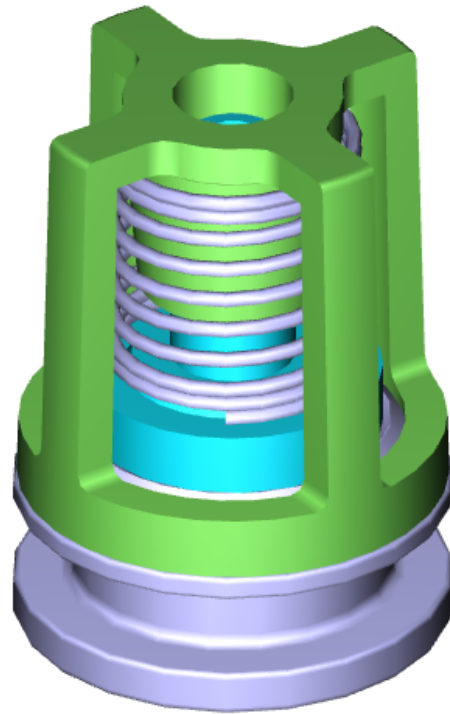
208

4 Valve pin complete (4.584-022.0)

POS	Article no.	Description	Quantity	Unit
208	6.363-613.0	O-Ring seal 4 x 2 -NBR90	1.000	ST

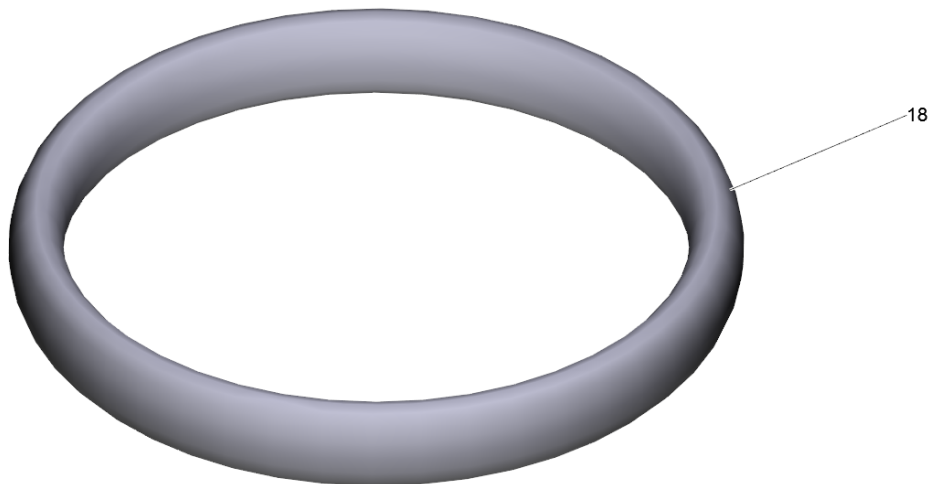
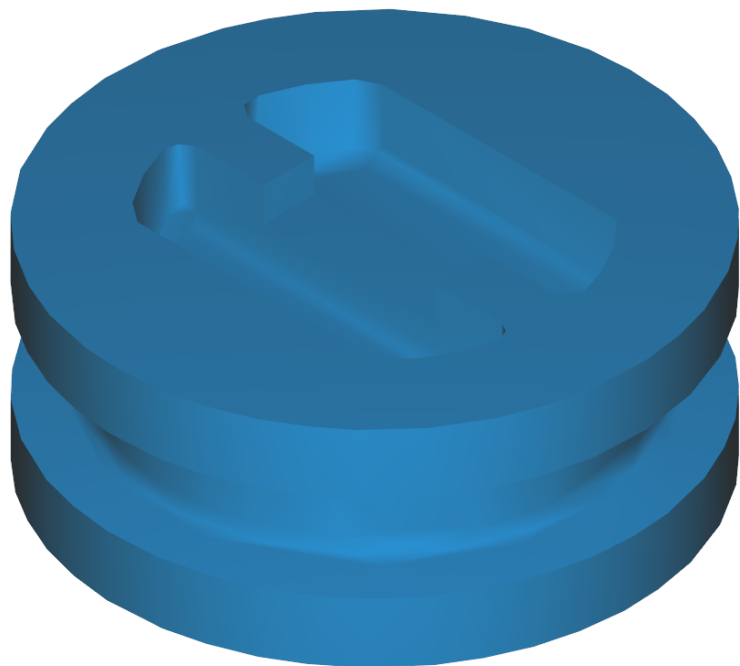
8 Overflow valve (4.591-038.0)

POS	Article no.	Description	Quantity	Unit
14	5.305-264.0	Shaped screw	1.000	ST
20	5.332-425.0	Helical spring	1.000	ST
26	5.553-390.0	Piston	1.000	ST
28	5.581-230.0	Valve seat	1.000	ST
42		Grease PFAE	1.000	KG
44	6.362-169.0	O-Ring seal 12,0 X 2,0	1.000	ST
47	6.362-454.0	O-Ring seal complete 2ST.-R.	1.000	ST



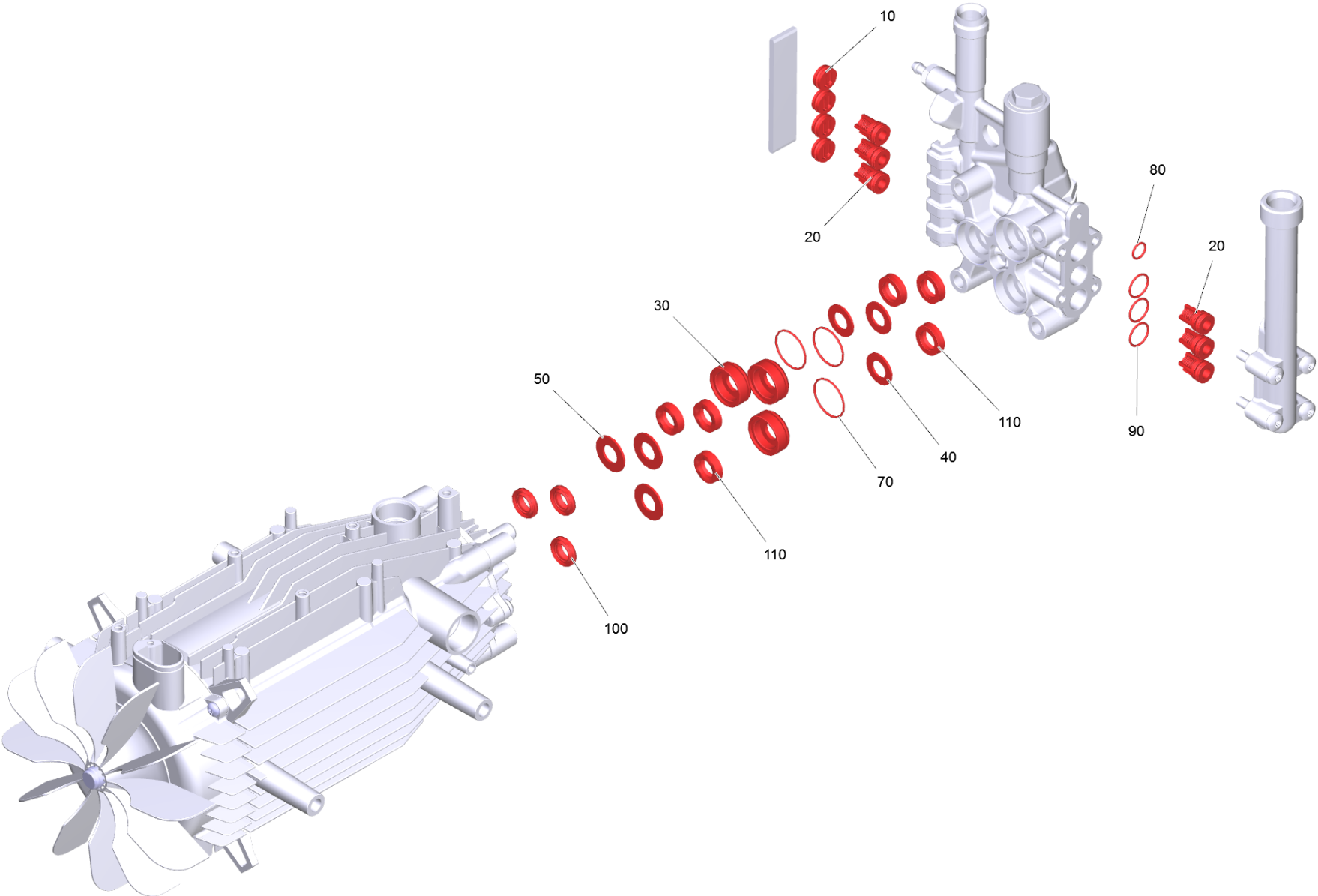
20 Valve (3 Stück) (2.884-916.0)

POS	Article no.	Description	Quantity	Unit
15	6.362-077.0	O-Ring seal 10 x 2,2 NBR 70	1.000	ST



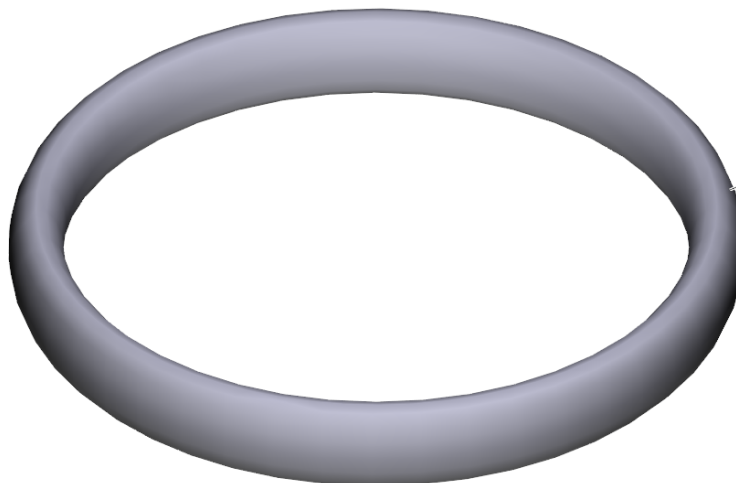
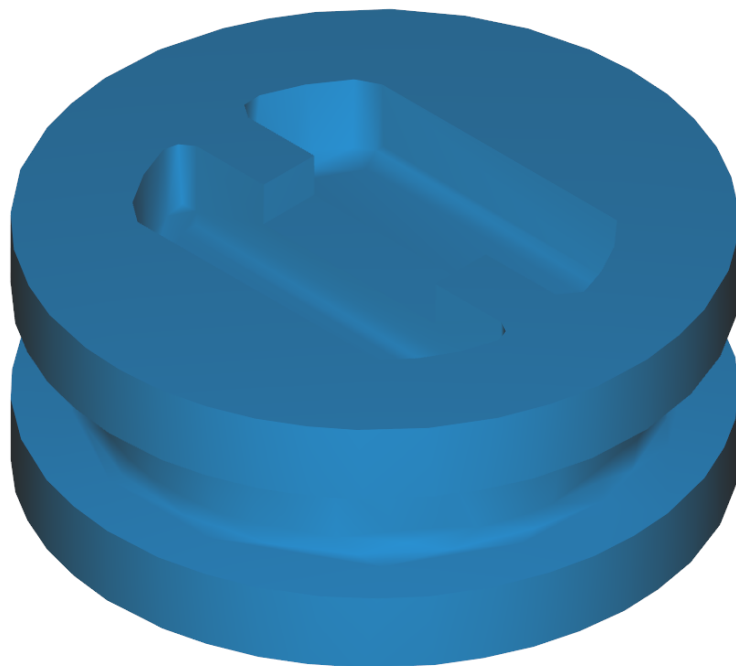
24 Drain plug only for replacement (4.132-007.0)

POS	Article no.	Description	Quantity	Unit
18	6.362-458.0	O-Ring seal 11,0x2,0-NBR 70	1.000	ST



100 PUMP SET HD 5/12 C (2.883-997.0)

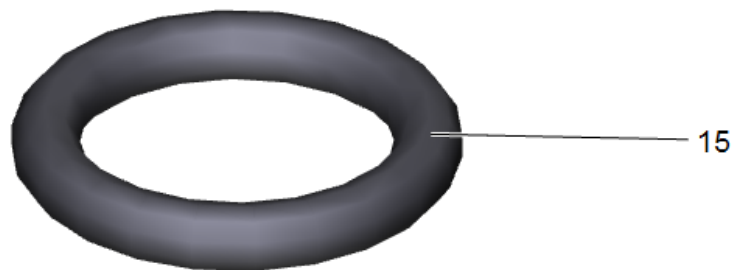
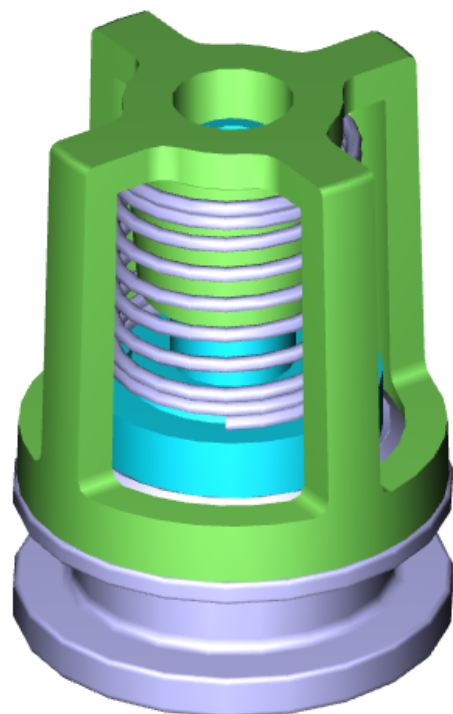
POS	Article no.	Description	Quantity	Unit
10	4.132-007.0	Drain plug only for replacement	4.000	ST
20	2.884-916.0	Valve (3 Stück)	2.000	ST
30	5.112-726.0	Bush	3.000	ST
40	5.115-721.0	Washer	3.000	ST
50	5.116-093.0	Washer	3.000	ST
60	6.288-072.0	Silicon grease	1.000	ST
70	6.362-376.0	O-Ring seal 24,0 X 1,5	3.000	ST
80	6.362-384.0	O-Ring seal 9x1,5 - NBR 70	1.000	ST
90	6.362-533.0	O-Ring seal 14,0 X 1,5-NBR 70	3.000	ST
100	6.365-001.0	Grooved ring 12x20x4/6	3.000	ST
110	6.365-477.0	Grooved ring 12x20x5,3/2,8	6.000	ST



18

10 Drain plug only for replacement (4.132-007.0)

POS	Article no.	Description	Quantity	Unit
18	6.362-458.0	O-Ring seal 11,0x2,0-NBR 70	1.000	ST



20 Valve (3 Stück) (2.884-916.0)

POS	Article no.	Description	Quantity	Unit
15	6.362-077.0	O-Ring seal 10 x 2,2 NBR 70	1.000	ST