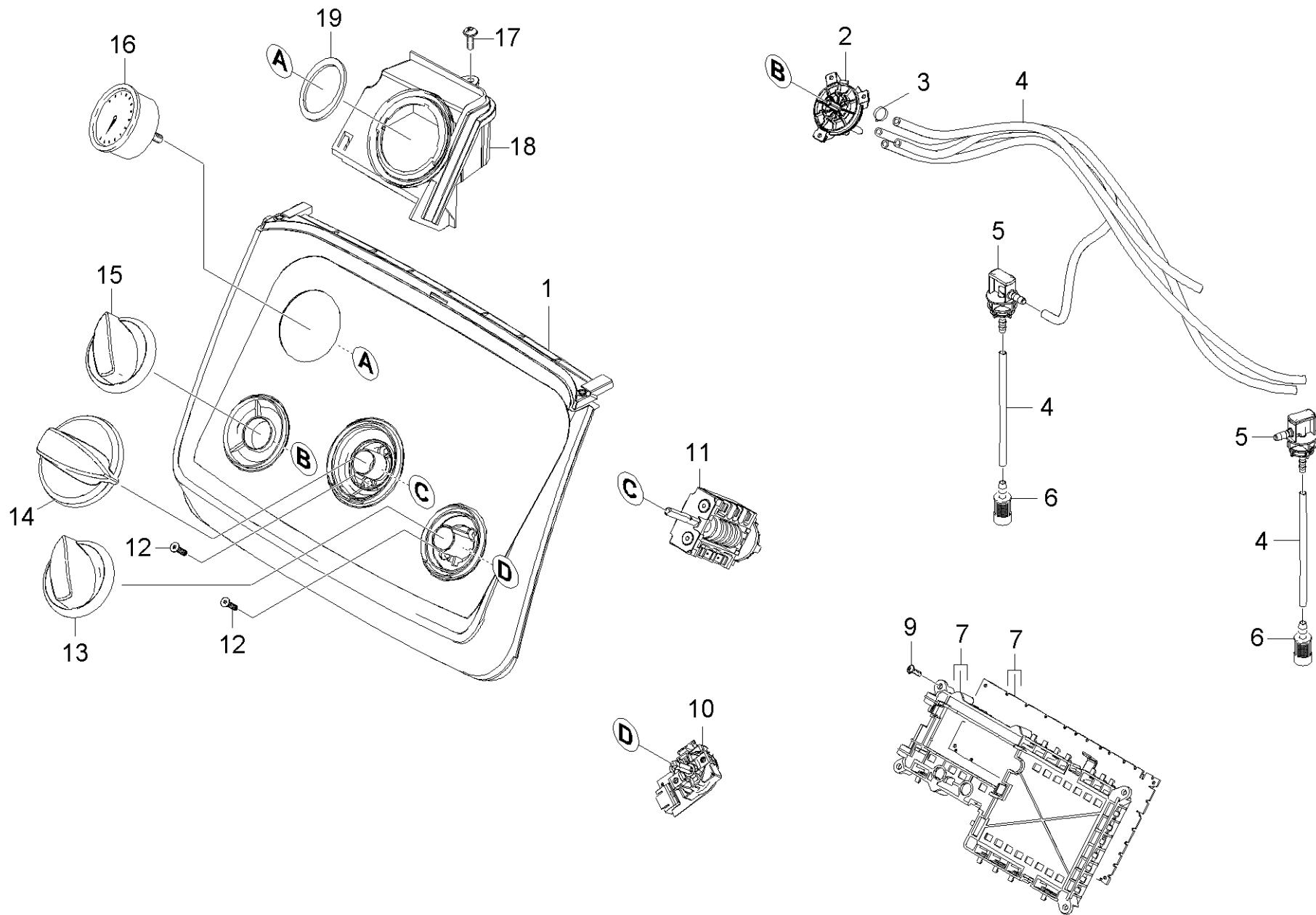


150 Control panel

Overview technical documents/Professional/High pressure cleaner hotwater/Electric motor/HDS 8/18-4 M *EU-II (1.077-605.0)/Spare parts list HDS 8/17, 8/18/150 Control panel



150 Control panel

Overview technical documents/Professional/High pressure cleaner hotwater/Electric motor/HDS 8/18-4 M *EU-II (1.077-605.0)/Spare parts list HDS 8/17, 8/18/150 Control panel

Rez.daļas/nodil.pakļ.daļas	Poz.	Materiāla Nr.	Nosaukums	Daudzums	Pārdoš. vienība
	1	4.841-204.0	Control panel only for replacement	1.000	ST
X-X	2	4.063-842.0	Proportioning valve chemistry	1.000	ST
	3	6.388-559.0	Hose clip	4.000	ST
X	4	6.391-341.0	Tīrīšanas līdzekļa šļūtene DN 6 modelim	1.000	M
	5	5.132-134.0	Aizbāznis	2.000	ST
	6	5.731-638.0	Filtrs ar atsvariņu	2.000	ST
X-X	7	2.885-052.0	Frame circuit board complete	1.000	ST
	9	7.303-106.0	Skrūve 4x12 -10.9-R2R (IN6RD)	2.000	ST
X	10	4.630-005.0	Switch	1.000	ST
X-X	11	6.630-421.0	Programmas izvēles slēdzis	1.000	ST
	12	7.305-019.0	Countersunk screw M4x16 -8.8-R2R (In6Rd	4.000	ST
	13	5.321-847.0	Rokturis	1.000	ST
	14	5.321-848.0	Rokturis	1.000	ST
	15	5.321-844.0	Rokturis	1.000	ST
X-X	16	4.423-020.0	pressure gauge	1.000	ST
	17	7.303-106.0	Skrūve 4x12 -10.9-R2R (IN6RD)	1.000	ST
	18	5.044-850.0	Holder pressure gauge	1.000	ST
	19	5.363-721.0	Joint ring	1.000	ST