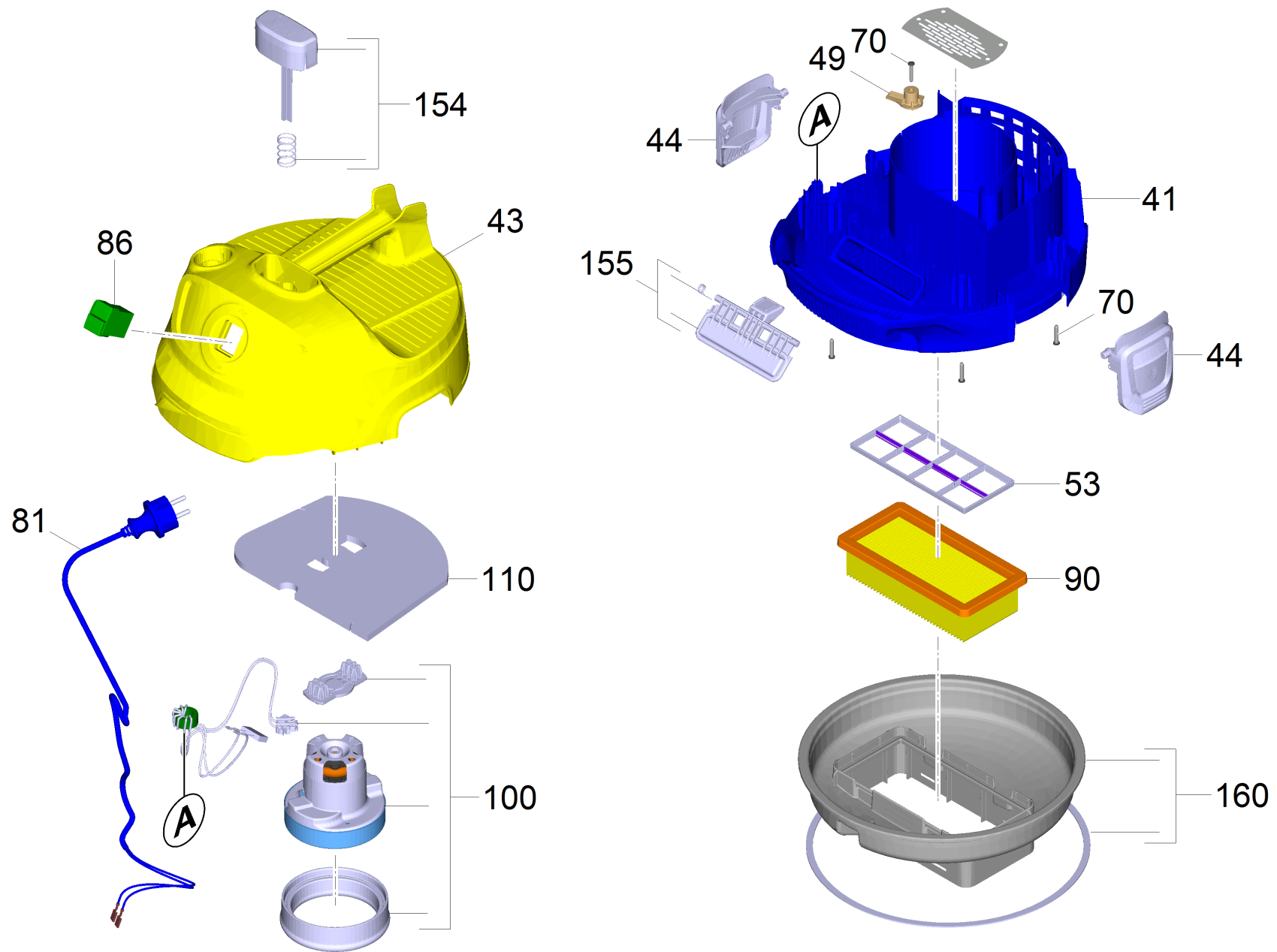


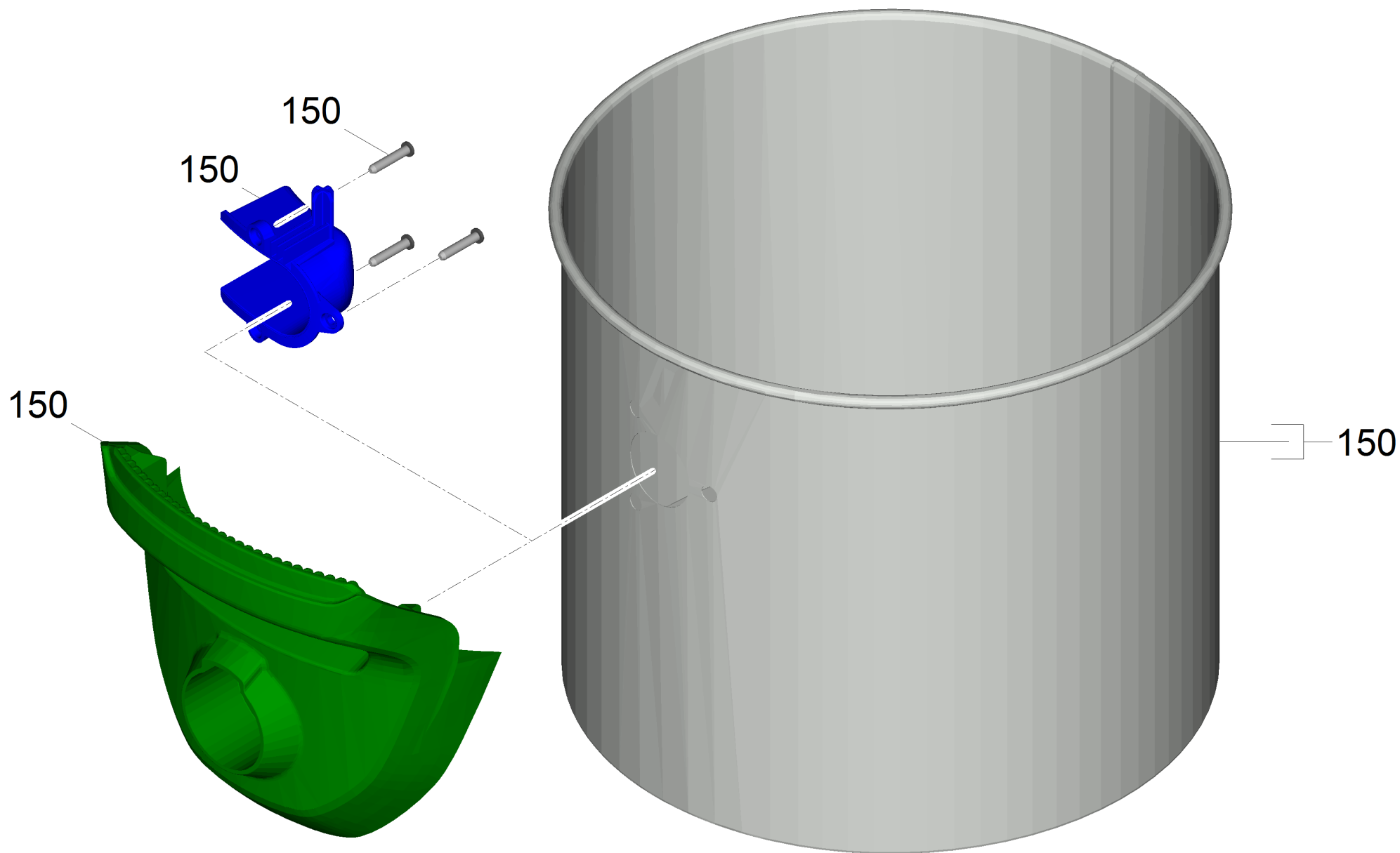
Spare parts list

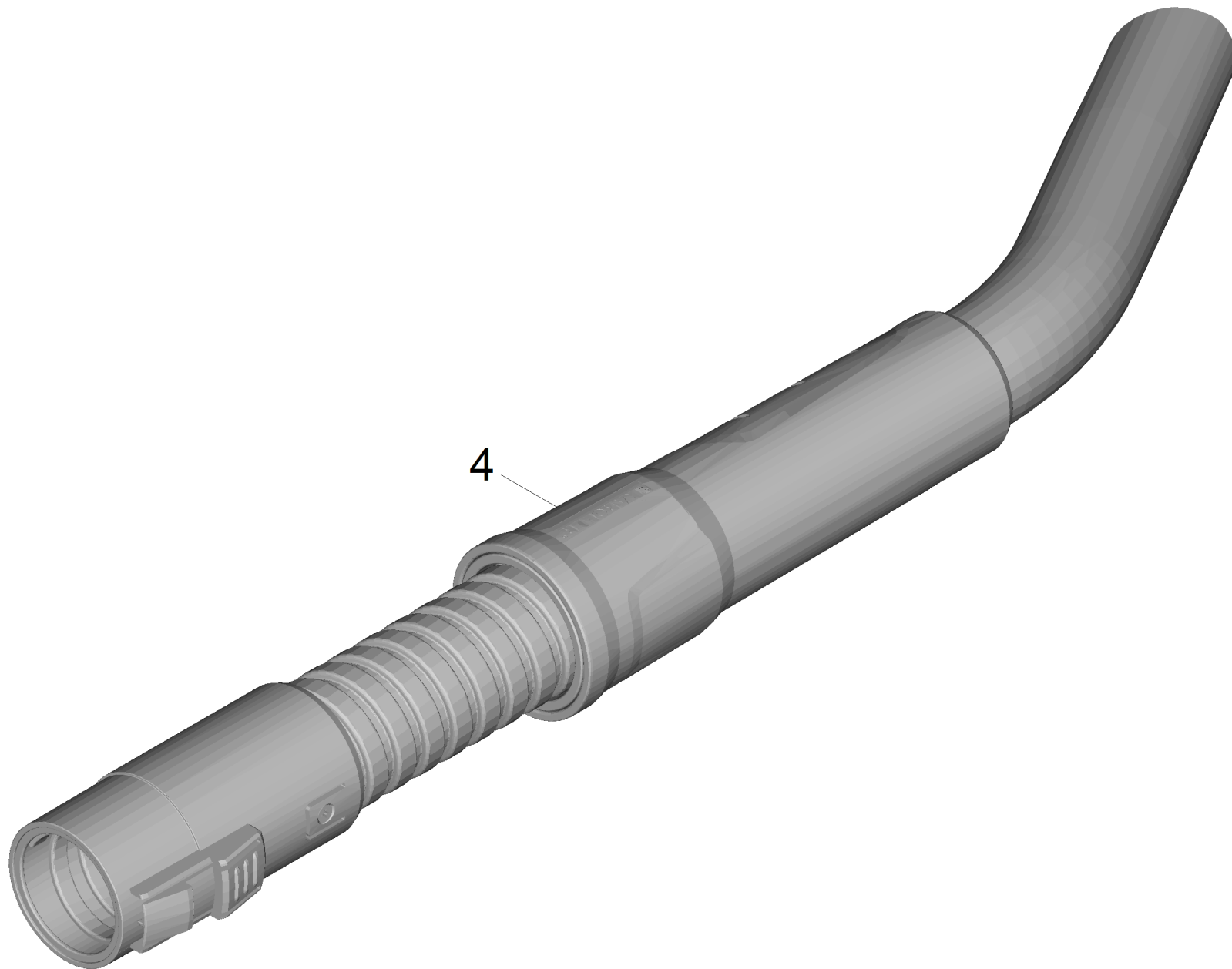
(1.629-711.0) AD 2 *EU-II

Table of contents

AD 2 *EU-II (1.629-711.0)	3
150 Tank complete lacquered (4.440-079.0)	7

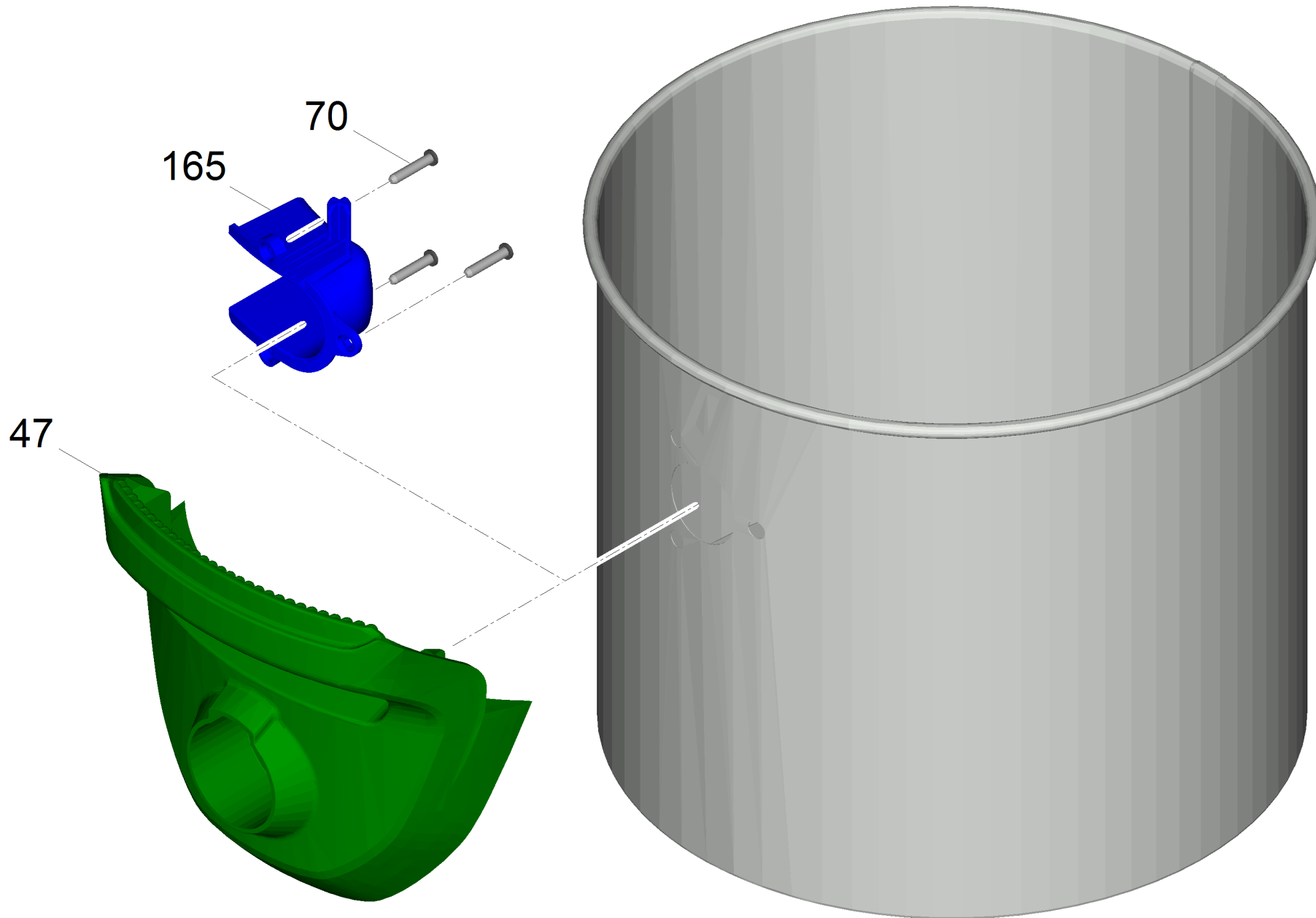






AD 2 *EU-II (1.629-711.0)

POS	Article no.	Description	Quantity	Unit
81	6.647-996.0	Cable with plug *EU Cable with plug	1.000	ST
44	5.075-001.0	Closure	2.000	ST
43	4.069-051.0	Cover AD 2 printed	1.000	ST
53	9.037-946.0	Filter frame	1.000	ST
90	6.415-953.0	Flat-pleated filter AD	1.000	ST
110	5.731-030.0	Foam cover	1.000	ST
41	5.053-007.0	Motor bracket AD	1.000	ST
160	4.440-074.0	Retainer filter complete	1.000	ST
70	6.303-150.0	Screw 4,2x 22	5.000	ST
154	4.071-263.0	Spare parts set pushbutton	1.000	ST
155	4.071-262.0	Spare parts set valve	1.000	ST
49	5.033-036.0	Strain relief	1.000	ST
4	4.440-046.0	Suction hose complete DN35	1.000	ST
86	6.630-087.0	Switch	1.000	ST
150	4.440-079.0	Tank complete lacquered	1.000	ST
100	4.624-415.0	Vac motor complete 600W	1.000	ST



150 Tank complete lacquered (4.440-079.0)

POS	Article no.	Description	Quantity	Unit
70	6.303-150.0	Screw 4,2x 22	3.000	ST
47	5.051-698.0	Suction connection	1.000	ST
165	5.051-320.0	Tube aspiration deflector	1.000	ST