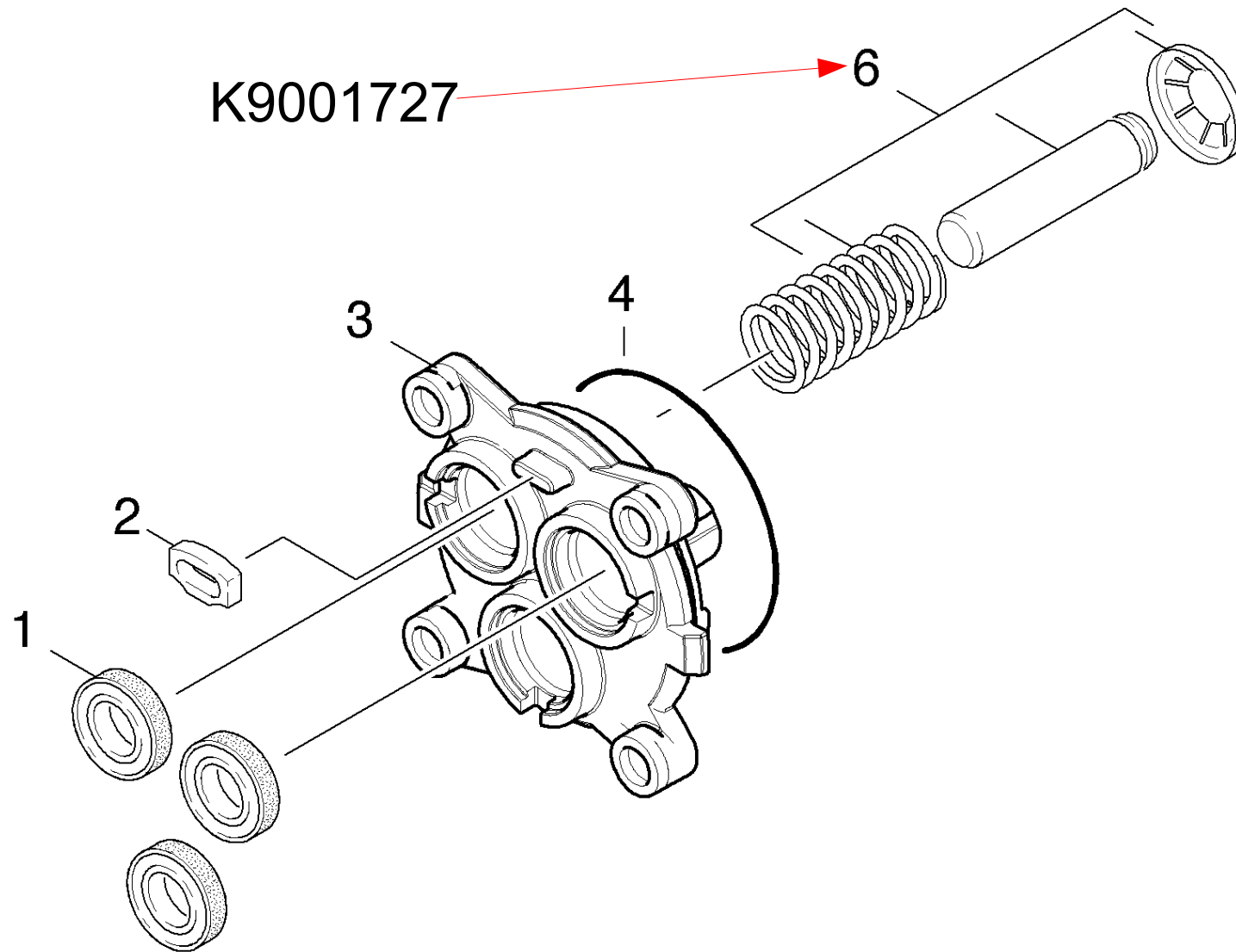


22 Thrust guidance (0.108-516.0)

Overview technical documents/Home & Garden/High pressure cleaner cold water/Electric motor/K 5/K 5.60M-Plus *EU (1.630-150.0)/Spare parts list K 5.87M *EU/20 Pump set/22 Thrust guidance (0.108-516.0)



22 Thrust guidance (0.108-516.0)

Overview technical documents/Home & Garden/High pressure cleaner cold water/Electric motor/K 5/K 5.60M-Plus *EU (1.630-150.0)/Spare parts list K 5.87M *EU/20 Pump set/22 Thrust guidance (0.108-516.0)

ET/VT (spare/wear parts)	Pos	Material #	Name	Qty.	Unit	from ser.nr.	up to ser.nr.	Footnote text
X-X	1	6.964-026.0	Grooved ring	3.000	ST	00000000000000000000		
	2	9.048-071.0	Spacer - Seal	1.000	ST	00000000000000000000		
	3	9.042-085.0	Thrust guidance Alu	1.000	ST	00000000000000000000		
	4	9.080-426.0	O-Ring seal 62x3 NBR 70Shore	1.000	ST	00000000000000000000		
X	6	9.001-727.0	Piston complete	1.000	ST	00000000000000000000		3 QTY.