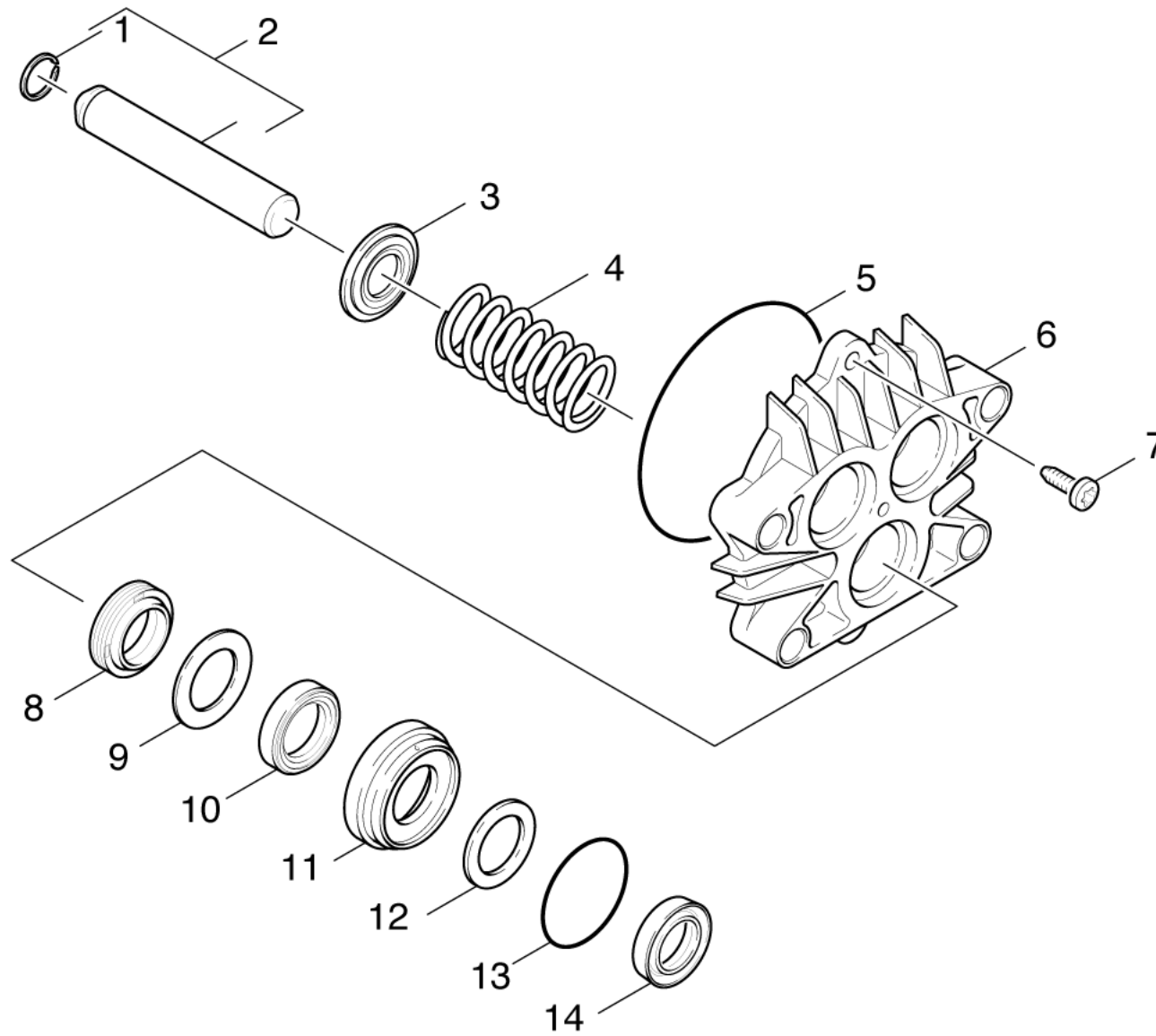


21 Piston

Professional \ High pressure cleaner hotwater \ Electric motor \ H 2600 *EU \ Spare parts list H_2600 \ Pump set \ Piston



21 Piston

Professional \ High pressure cleaner hotwater \ Electric motor \ H 2600 *EU \ Spare parts list H_2600 \ Pump set \ Piston

POS	Article no.	Description	Quantity	Unit
11	5.112-402.0	Bush	3.000	ST
10	6.365-351.0	Compact seal 16 x 24 x 4	3.000	ST
14	6.365-408.0	Grooved ring 16x24x5.3	3.000	ST
8	6.365-322.0	Grooved ring 16X24X7	3.000	ST
4	5.332-450.0	Helical spring	3.000	ST
6	4.060-819.0	Housing -nur für Ersatz-	1.000	ST
13	6.362-398.0	O-Ring seal 27,5 X 1,5-NBR 70	3.000	ST
5	6.362-963.0	O-Ring seal 88,57X 2,62	1.000	ST
2	4.553-216.0	Piston complete only for replacement	3.000	ST
7	7.306-094.0	Screw M6x25 -8.8-R3R (In6Rd)	2.000	ST
1	7.343-478.0	Snap ring A16 -FST DIN 7993	3.000	ST
3	5.115-689.0	Washer	3.000	ST
12	5.115-492.0	Washer	3.000	ST
9	5.115-493.0	Washer	3.000	ST