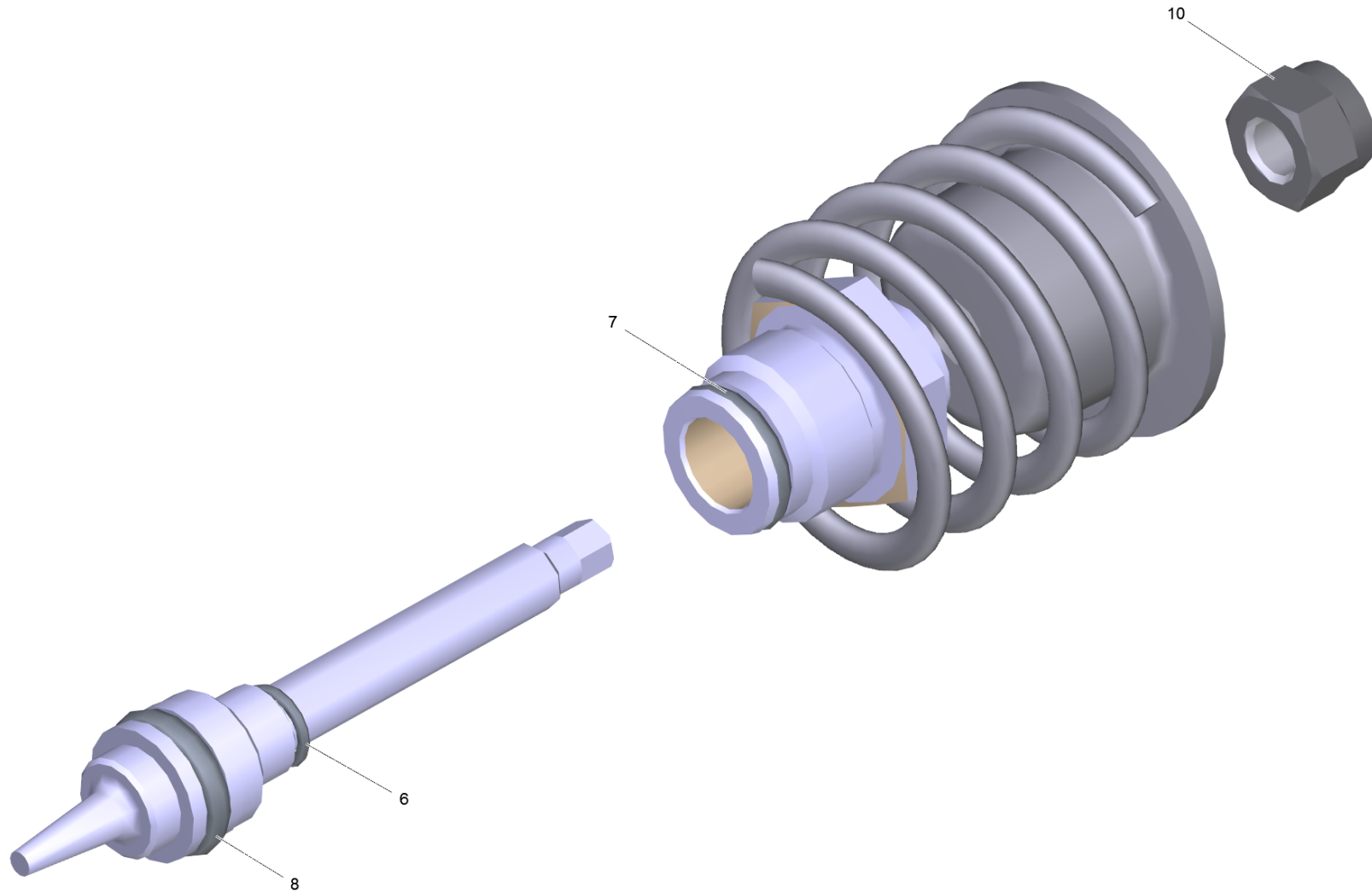


37 Set excess-current (4.591-056.0)

Professional \ High pressure cleaner cold water \ Electric motor \ HD 9/20 -4M *EU-I \ Spare parts list HD 9/20-4 \ Pump set \ Cylinder head \ Set excess-current

KÄRCHER



37 Set excess-current (4.591-056.0)

Professional \ High pressure cleaner cold water \ Electric motor \ HD 9/20 -4M *EU-I \ Spare parts list HD 9/20-4 \ Pump set \ Cylinder head \ Set excess-current

KÄRCHER

POS	Article no.	Description	Quantity	Unit
6	6.362-365.0	O-Ring seal complete 1ST.-R.- 7,65X 1,7	1	PC
7	6.362-381.0	O-Ring seal 13x2 - NBR 70	1	PC
8	6.362-575.0	O-Ring seal 12,42 KOMPL	1	PC
10	7.311-510.0	Hexagon nut M 8-8-A2E ISO 7040	1	PC