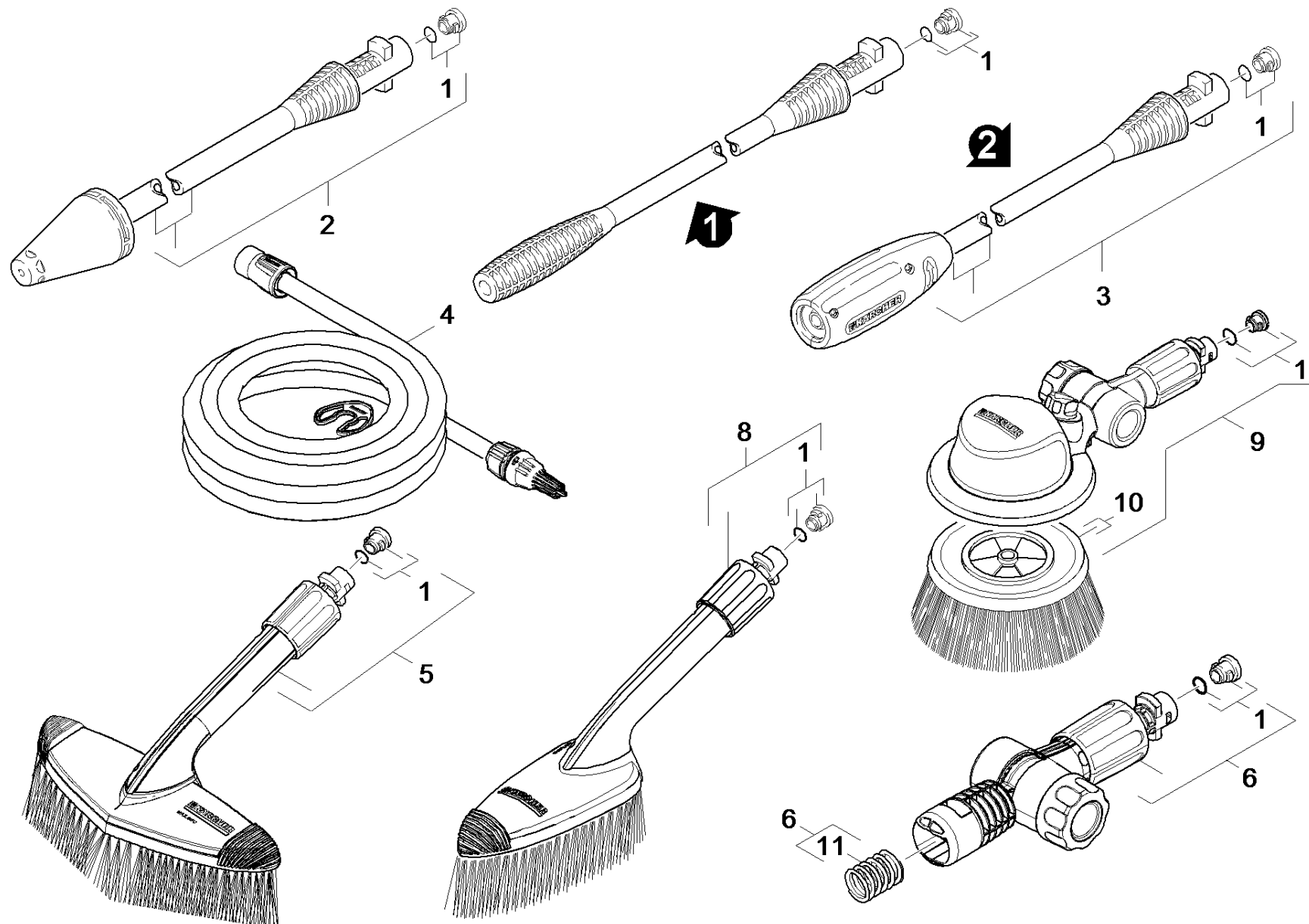


42 Jet pipe

Overview technical documents/Home & Garden/High pressure cleaner cold water/Electric motor/K 2/K 2.800 EcoLogic *CH (1.673-281.0)/Spare parts list K2.800 EcoLogic/40 Accessories/42 Jet pipe



42 Jet pipe

Overview technical documents/Home & Garden/High pressure cleaner cold water/Electric motor/K 2/K 2.800 Ecologic *CH (1.673-281.0)/Spare parts list K2.800 Ecologic/40 Accessories/42 Jet pipe

ET/VT (spare/wear parts)	Pos	Material #	Name	Qty.	Unit	var. information
X-X	1	2.640-729.0	O-Ring seal set	1.000	ST	
X-X	2	4.764-243.0	Dirt blaster K2 027 St	1.000	ST	
	3	4.760-535.0	VPS K2 025	1.000	ST	RATIO V
	3	4.760-723.0	VPS K2 0287	1.000	ST	RATIO IV
X-X	4	2.643-100.0	SH 5 suction hose	1.000	ST	
X-X	5	2.640-590.0	Brush across	1.000	ST	
X-X	6	2.640-733.0	Vario Joint	1.000	ST	
	7	5.332-464.0	Pressure spring	1.000	ST	
X-X	8	2.640-589.0	Brush lengthwise	1.000	ST	
X-X	9	2.643-236.0	WB 100 washing brush	1.000	ST	
	10	5.762-331.0	Carrier brushes	1.000	ST	
	11	5.332-464.0	Pressure spring	1.000	ST	