

Spare parts list

(1.924-111.0) HD 1000 SI *EUROPA

Table of contents

HD 1000 SI *EUROPA (1.924-111.0)	4
Spare parts list HD 1000 SI (5.955-201.0)	5
10 Individual parts	6
11 Top part	7
12 Base frame	9
13 Cable	11
20 Pump set	13
21 Cylinder head	14
22 Delivery side	16
23 Suction side	18
24 Chemistry	20
25 Piston	22
30 Motor	24
31 Individual parts	25
32 Transmission	27
33 Transmission	29
40 Accessories	31
41 Hand trigger gun	32
42 Hand trigger gun	34
1 Hand trigger gun (4.775-466.0)	36
60 Adapter pipelines AVS-M22x1,5 (4.421-739.3)	38
9002 Lever complete (4.481-209.0)	40
4 Rotary controller 416L (4.775-470.0)	42
13 Lever complete (4.481-209.0)	44
15 Adapter pipelines AVS-M22x1,5 (4.421-739.3)	46
43 Jet pipe	48
Jet pipe packaged only for replacement (4.760-660.0)	50
14 Screw connector part (5.401-210.0)	52
44 Jet pipe	53
1 Jet pipe packaged only for replacement (4.760-660.0)	55
14 Screw connector part (5.401-210.0)	57
45 Nozzle	58
Triple jet nozzle 055 (4.767-066.0)	60
2 Spare parts list triple jet nozzle (5.970-000.0)	61
10 Triple jet nozzle	62
17 Nozzle holder 055 (4.764-159.0)	64
6 Nozzle holder 055 (4.764-159.0)	65
50 Safety system	66

Table of contents

60 Float chest	68
70 Electric control box	70

HD 1000 SI *EUROPA (1.924-111.0)

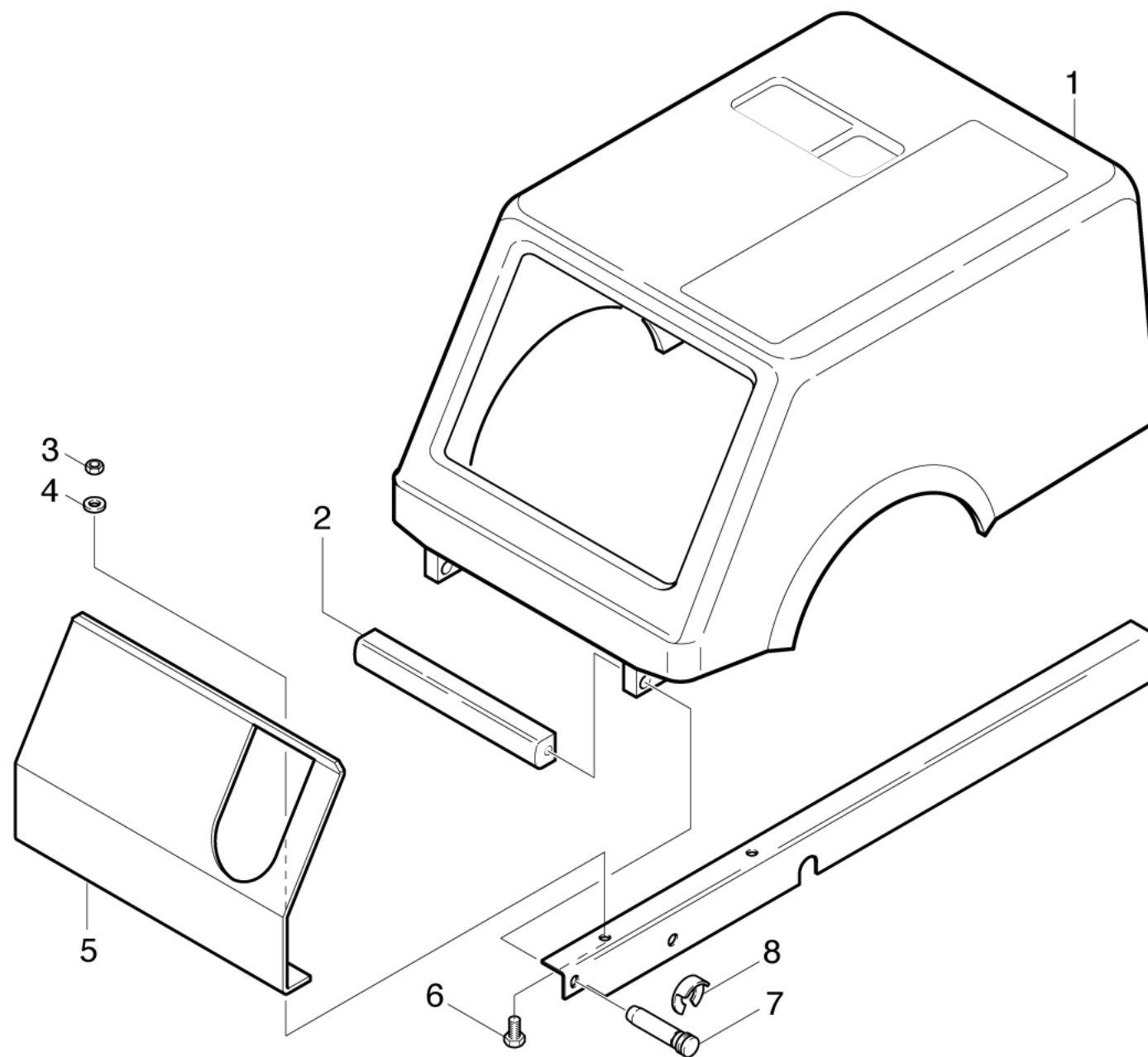
POS	Article no.	Description	Quantity	Unit
0	5.955-201.0	Spare parts list HD 1000 SI	1.000	ST
	Item text2: 19241110			

Spare parts list HD 1000 SI (5.955-201.0)

POS	Description	Quantity	Unit
40	Accessories	1.000	ST
70	Electric control box	1.000	ST
60	Float chest	1.000	ST
10	Individual parts	1.000	ST
30	Motor	1.000	ST
20	Pump set	1.000	ST
50	Safety system	1.000	ST

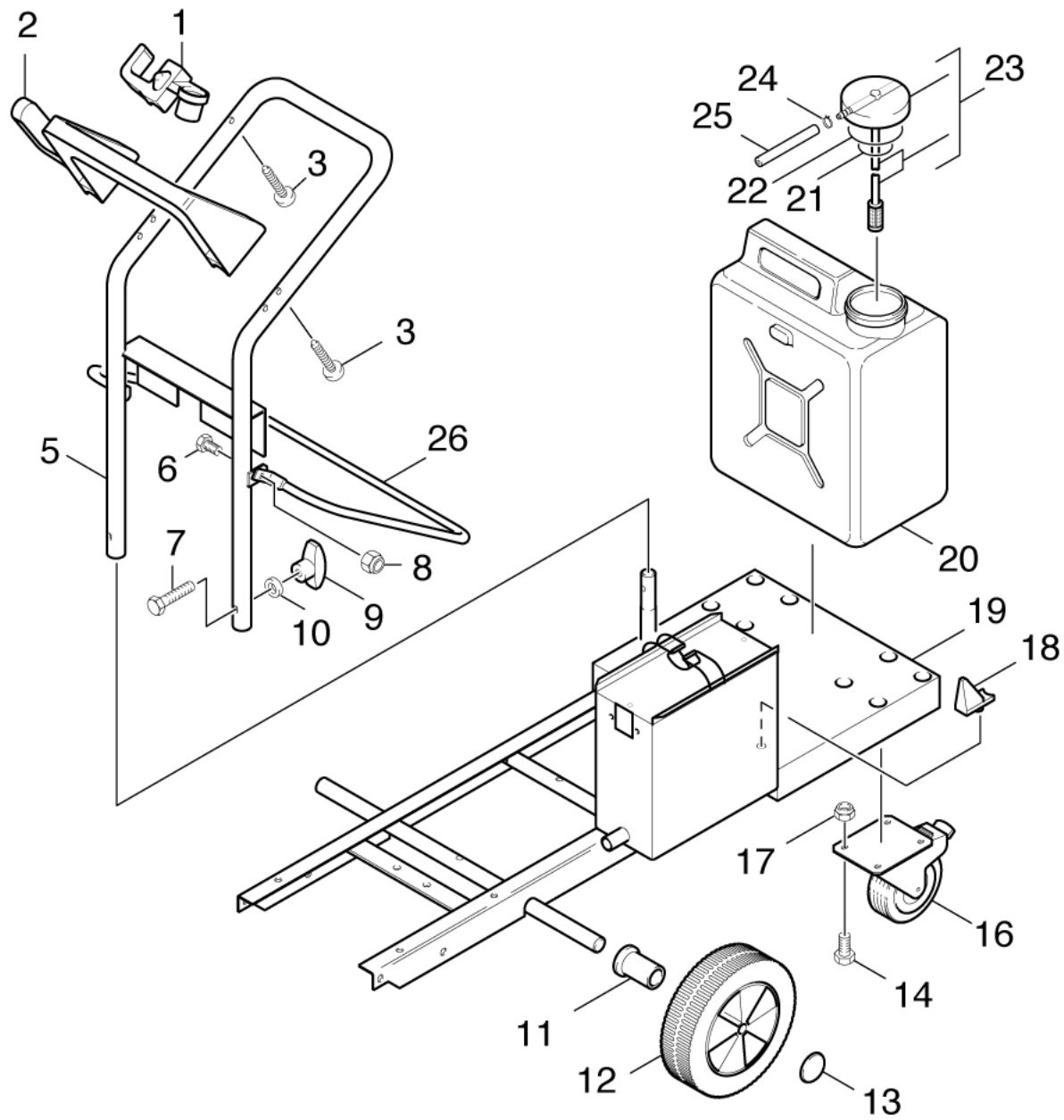
10 Individual parts

POS	Description	Quantity	Unit
12	Base frame	1.000	ST
13	Cable	1.000	ST
11	Top part	1.000	ST



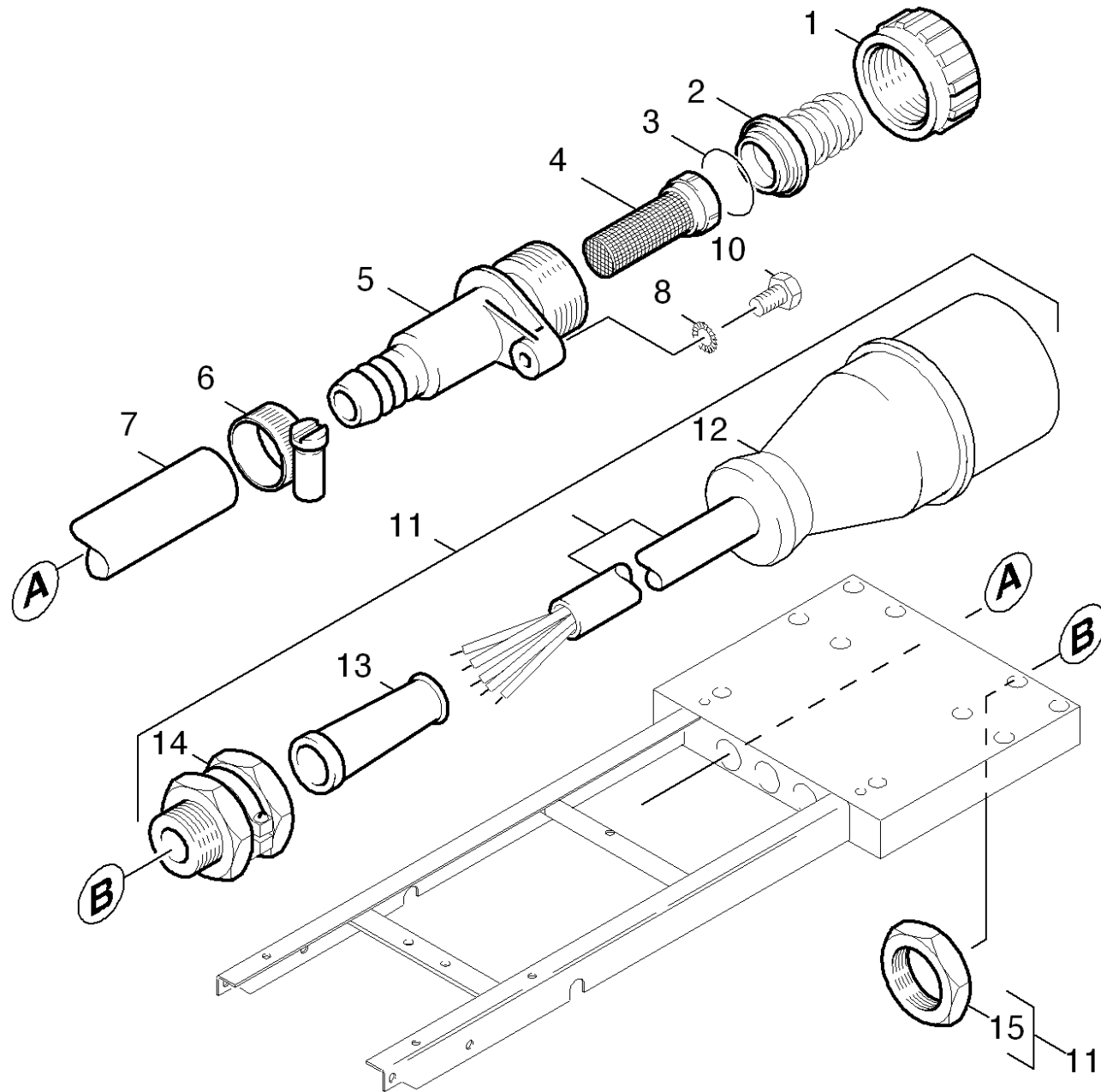
11 Top part

POS	Article no.	Description	Quantity	Unit
7	5.316-113.0	Bolt	2.000	ST
5	4.841-068.0	Control panel	1.000	ST
1	5.066-132.0	Cover	1.000	ST
2	5.321-096.0	Handhold	1.000	ST
3	7.311-512.0	Hexagon nut M 6-8-A2E ISO 7040	2.000	ST
8	6.343-100.0	Locking ring 10	2.000	ST
6	7.306-090.0	Screw M6x16 -8.8-R3R (In6Rd)	2.000	ST
4	7.312-276.0	Washer 6 -200HV-A2E ISO7093-1	2.000	ST



12 Base frame

POS	Article no.	Description	Quantity	Unit	Foot note text
19	3.200-117.0	Base frame	1.000	ST	
23	5.030-355.0	CAP	1.000	ST	
16	6.435-081.0	Castor D 100	2.000	ST	
5	4.321-034.0	Handhold	1.000	ST	
14	7.304-395.0	Hexagonal head screw M8x16-8.8-A2E ISO	8.000	ST	
8	7.311-512.0	Hexagon nut M 6-8-A2E ISO 7040	2.000	ST	
17	7.311-510.0	Hexagon nut M 8-8-A2E ISO 7040	8.000	ST	
2	5.042-215.0	Holder	1.000	ST	
24	6.388-559.0	Hose clip	1.000	ST	
25	6.388-225.0	Hose DN 7	2.000	M	TO ORDER AS CUT GOODS
13	6.343-122.0	Lock washer	2.000	ST	
21	6.362-490.0	O-Ring seal 47,0 X 4,5 -NBR 50	1.000	ST	
22	6.362-491.0	O-Ring seal 80,0x4,5-NBR 50	1.000	ST	
26	5.034-209.0	Retaining bracket	1.000	ST	
7	7.306-105.0	Screw M6x30 -8.8-R3R (In6Rd)	2.000	ST	
6	7.306-129.0	Screw M6x40 -8.8-R3R (In6Rd)	2.000	ST	
3	7.303-080.0	Sheet metal screw ST4,8X32-ST-P2R (KOMB	3.000	ST	
11	5.110-188.0	Sleeve	2.000	ST	
9	6.310-023.0	Star handle M 6	2.000	ST	
18	5.057-022.0	Support	2.000	ST	
20	5.071-025.0	Tank	1.000	ST	
10	7.312-003.0	Washer 6 -200HV-A3E ISO 7090	2.000	ST	
12	6.435-082.0	Wheel D 250 WEISS	2.000	ST	

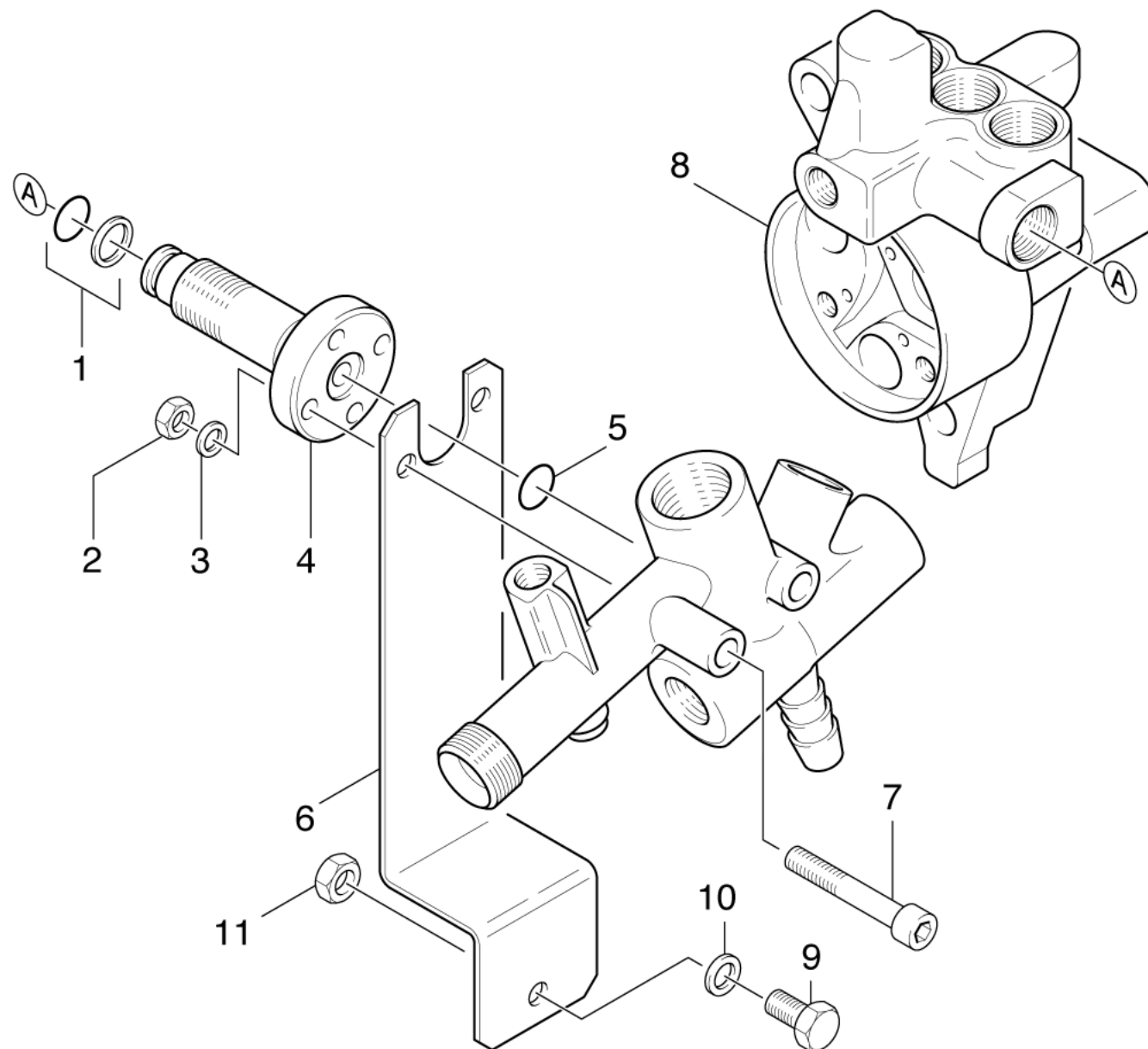


13 Cable

POS	Article no.	Description	Quantity	Unit	Foot note text
11	4.820-593.0	Cable	1.000	ST	
14	6.641-362.0	Cable gland PG13,5	1.000	ST	
6	6.388-548.0	Hose clip	1.000	ST	
2	5.443-291.0	Hose stem	1.000	ST	
15	6.641-480.0	Locknut PG13,5	1.000	ST	
5	5.427-154.0	Manifold	1.000	ST	
1	5.310-076.0	Nut	1.000	ST	
3	6.362-161.0	O-Ring seal 19,3 X 2,4	1.000	ST	
12	6.646-030.0	Plug CEE 16A	1.000	ST	
13	6.641-363.0	Rubber bushing	1.000	ST	
10	7.777-999.0	Stockpiling discontinued	1.000	ST	
4	6.414-141.0	Strainer	1.000	ST	
8	7.312-167.0	Toothed lock washer A6,4-FSt-A3E DIN 67	1.000	ST	
7	6.388-924.0	Water hose DN16	1.000	M	TO ORDER AS CUT GOODS

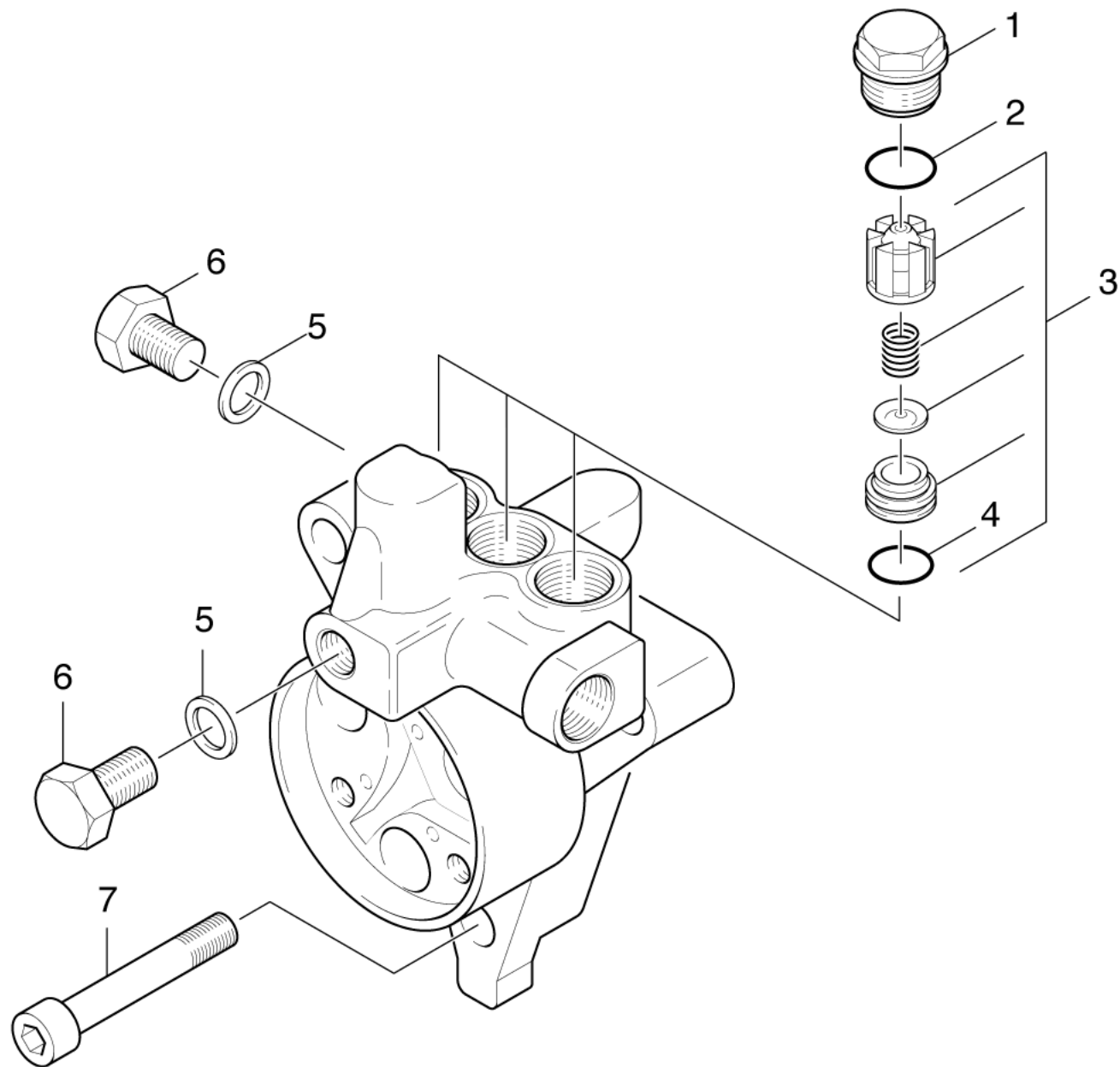
20 Pump set

POS	Description	Quantity	Unit
24	Chemistry	1.000	ST
21	Cylinder head	1.000	ST
22	Delivery side	1.000	ST
25	Piston	1.000	ST
23	Suction side	1.000	ST



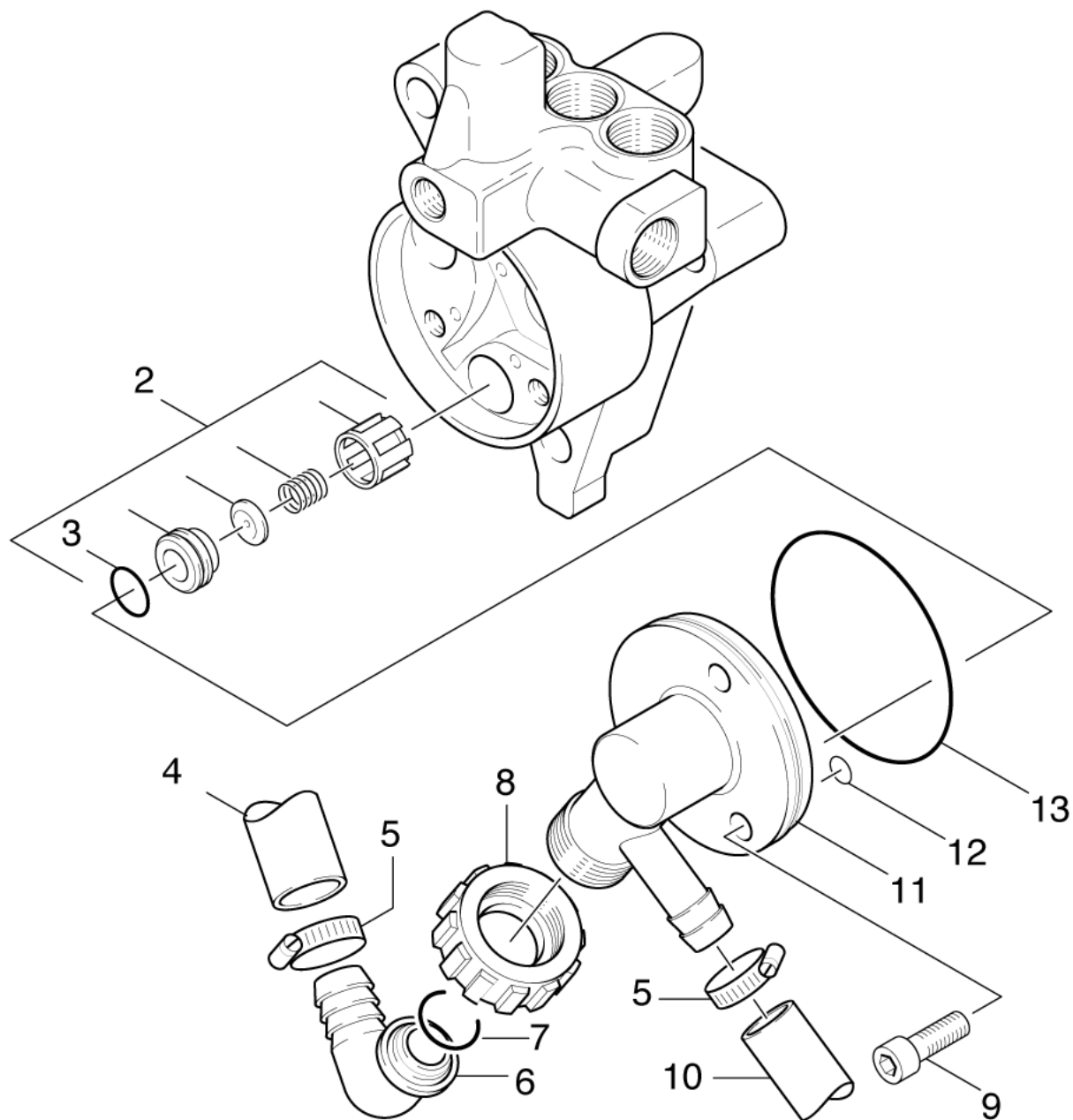
21 Cylinder head

POS	Article no.	Description	Quantity	Unit
8	5.550-173.0	Cylinder head	1.000	ST
9	7.304-395.0	Hexagonal head screw M8x16-8.8-A2E ISO	1.000	ST
2	7.311-200.0	Hexagon nut M6 -04-A2E ISO 4035	2.000	ST
11	7.311-432.0	Hexagon nut M 8-1.4305 DIN 985	1.000	ST
5	6.363-615.0	O-Ring seal 11 x 1,5 -NBR70	1.000	ST
1	6.362-505.0	O-Ring seal complete 10,82	1.000	ST
4	5.401-164.0	Screw connector part	1.000	ST
7	7.306-131.0	Screw M6x45 -8.8-P2R (In6Rd)	2.000	ST
100	7.777-999.0	Stockpiling discontinued	1.000	ST
6	7.777-999.0	Stockpiling discontinued	1.000	ST
3	7.312-003.0	Washer 6 -200HV-A3E ISO 7090	2.000	ST
10	7.312-004.0	Washer 8 -200HV-A3E ISO 7090	1.000	ST



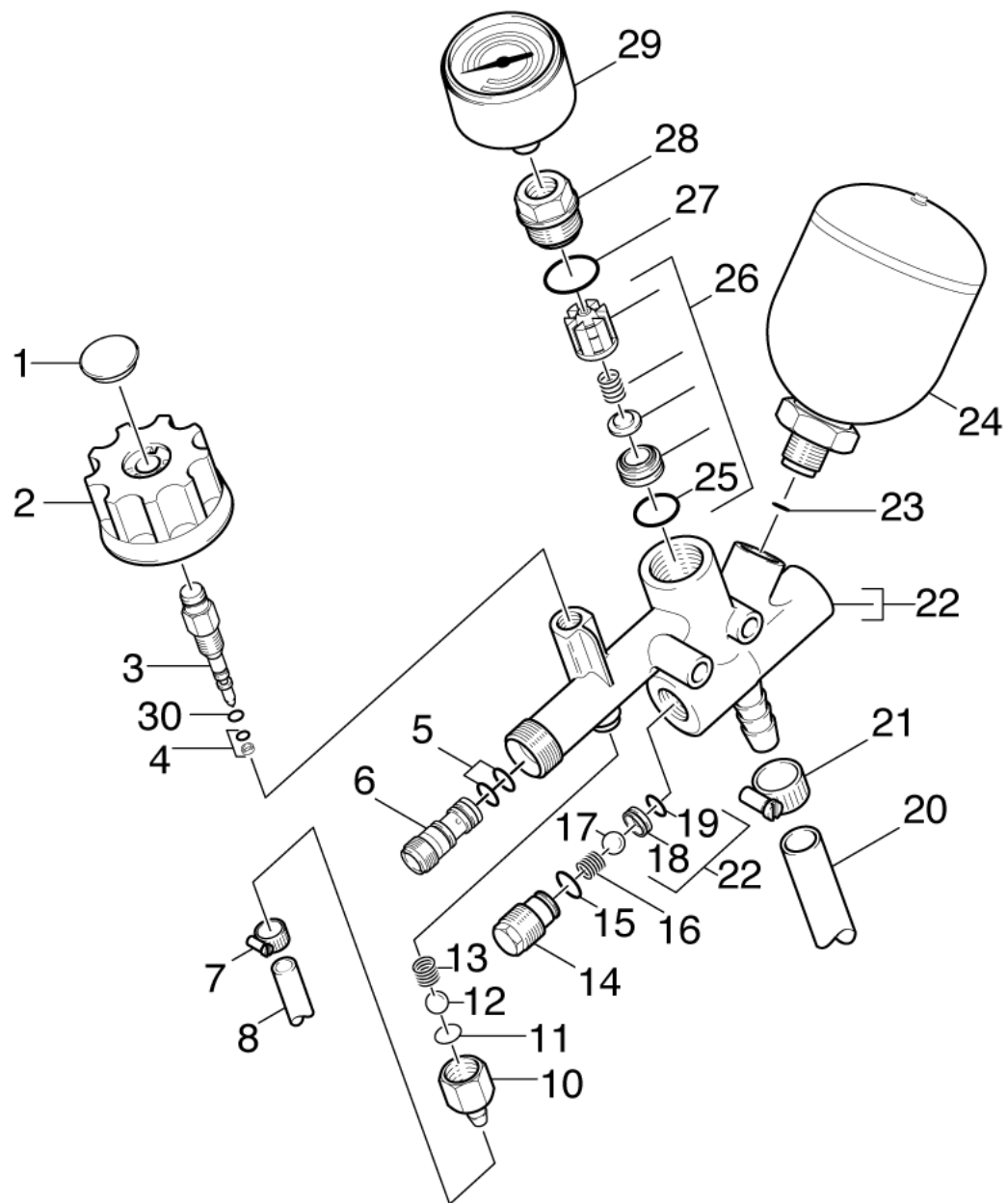
22 Delivery side

POS	Article no.	Description	Quantity	Unit
7	7.306-122.0	Cylinder head screw M12x80- 8.8-A3E IS	3.000	ST
5	7.362-004.0	Joint ring A12x15,5 -Cu DIN 7603	2.000	ST
4	6.362-481.0	O-Ring seal 14,0 x 2,0 NBR 80	3.000	ST
2	6.362-153.0	O-Ring seal 15,3 X 2,4-NBR 70	3.000	ST
6	7.382-250.0	Screw plug M12x1,5-A-1.4571 DIN 7604	2.000	ST
3	2.884-911.0	Valve (3 Stück)	1.000	ST
1	5.583-120.0	Valve screw	3.000	ST



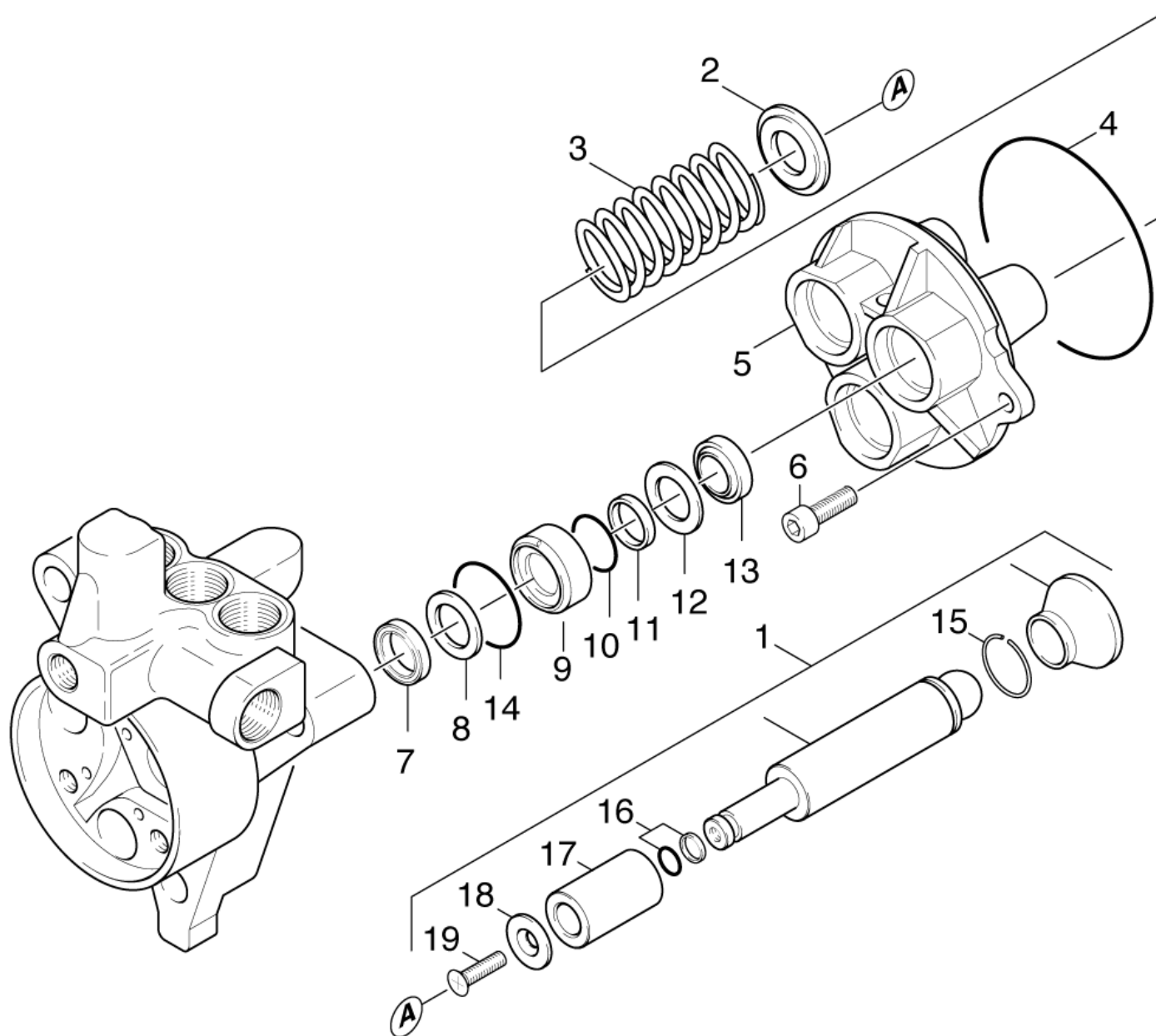
23 Suction side

POS	Article no.	Description	Quantity	Unit	Foot note text
9	7.306-042.0	Cylinder head screw M8x25 -8.8-A2E ISO4	3.000	ST	
10	6.388-007.0	High pressure hose DN13	1.000	M	TO ORDER AS CUT GOODS
5	6.388-547.0	Hose clip	2.000	ST	
6	5.443-285.0	Hose stem	1.000	ST	
11	4.063-185.0	Housing cover	1.000	ST	
8	5.310-062.0	Nut	1.000	ST	
12	6.362-384.0	O-Ring seal 9x1,5 - NBR 70	3.000	ST	
7	6.362-078.0	O-Ring seal 13,3x2,4	1.000	ST	
3	6.362-481.0	O-Ring seal 14,0 x 2,0 NBR 80	3.000	ST	
13	6.362-501.0	O-Ring seal 68,0 X 2,0-NBR 70	1.000	ST	
2	2.884-911.0	Valve (3 Stück)	1.000	ST	
4	6.388-924.0	Water hose DN16	1.000	M	TO ORDER AS CUT GOODS



24 Chemistry

POS	Article no.	Description	Quantity	Unit
2	5.321-228.0	Handhold	1.000	ST
13	5.332-124.0	Helical spring	1.000	ST
16	5.332-088.0	Helical spring	1.000	ST
20	6.388-007.0	High pressure hose DN13	1.000	M
21	6.388-547.0	Hose clip	1.000	ST
7	7.373-019.0	Hose clip A 10-16x9-W4 DIN3017	1.000	ST
8	6.388-225.0	Hose DN 7	2.000	M
10	5.443-433.0	Hose stem	1.000	ST
22	4.060-214.0	Housing	1.000	ST
6	5.769-082.0	Nozzle insert D2.0/ D2.7/ L38	1.000	ST
30	6.362-586.0	O-Ring seal 2,9 X 1,78 -NBR 70	1.000	ST
11	6.362-383.0	O-Ring seal 6,0 X 2,0	1.000	ST
23	6.362-176.0	O-Ring seal 6,07x1,78	1.000	ST
5	6.362-384.0	O-Ring seal 9x1,5 - NBR 70	2.000	ST
15	6.362-482.0	O-Ring seal 10 x 1,5-NBR 70	1.000	ST
19	6.362-437.0	O-Ring seal 10,0 X 1,0	1.000	ST
25	6.362-481.0	O-Ring seal 14,0 x 2,0 NBR 80	1.000	ST
27	6.362-483.0	O-Ring seal 17,0 X 2,5-NBR 80	1.000	ST
4	6.362-587.0	O-Ring seal complete 2,9 -NBR 70	1.000	ST
1	5.132-038.0	Plug	1.000	ST
24	6.505-021.0	Pressure accumulator	1.000	ST
29	6.421-101.0	Pressure gauge 0-25MPa	1.000	ST
14	5.411-096.0	Screw plug	1.000	ST
12	7.401-908.0	Sphere 7 G300 -1.4301 DIN 5401	1.000	ST
17	7.401-928.0	Sphere 8 G300 -1.4301 DIN 5401	1.000	ST
3	5.291-036.0	Spindle	1.000	ST
26	4.580-164.0	Valve complete	1.000	ST
28	5.583-121.0	Valve screw	1.000	ST
18	5.581-112.0	Valve seat	1.000	ST

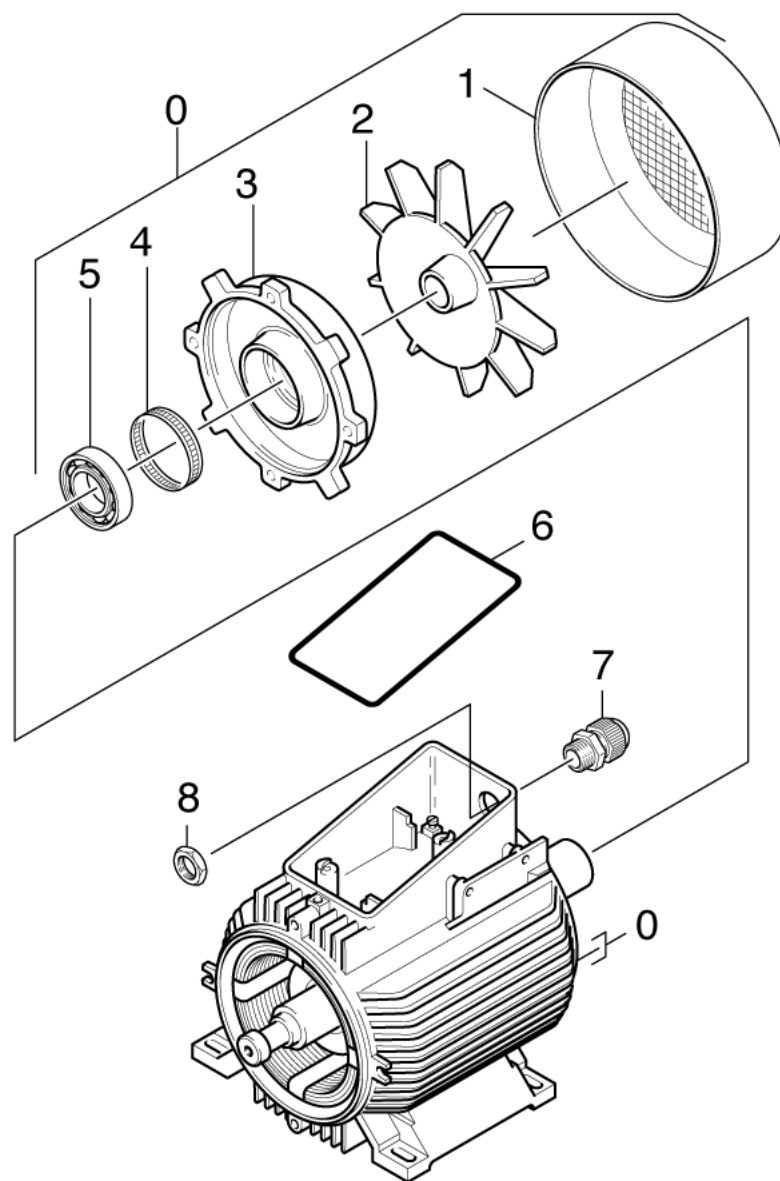


25 Piston

POS	Article no.	Description	Quantity	Unit
9	5.112-346.0	Bush	3.000	ST
19	6.305-004.0	Countersunk screw M 5X 20-A2-70-sw	3.000	ST
6	7.306-042.0	Cylinder head screw M8x25 -8.8-A2E ISO4	2.000	ST
7	6.365-330.0	Grooved ring	3.000	ST
13	6.365-052.0	Grooved ring 20X28X6/8	3.000	ST
3	5.332-150.0	Helical spring	3.000	ST
5	5.060-261.0	Housing	1.000	ST
11	5.363-232.0	Joint ring	3.000	ST
10	6.362-614.0	O-Ring seal 21,0 X 4,0-FPM 83 VITON	3.000	ST
14	6.363-607.0	O-Ring seal 34,65 x 1,78 -NBR70	3.000	ST
4	6.362-448.0	O-Ring seal 100,0 X 1,78	1.000	ST
16	6.362-365.0	O-Ring seal complete 1ST.-R.- 7,65X 1,7	3.000	ST
1	4.553-099.0	Piston complete	3.000	ST
17	5.110-220.3	Sleeve ceramic	3.000	ST
15	6.472-331.0	Snap ring 20	3.000	ST
2	5.115-289.0	Washer	3.000	ST
18	5.115-358.0	Washer	3.000	ST
12	5.115-409.0	Washer	3.000	ST
8	5.115-435.0	Washer	3.000	ST

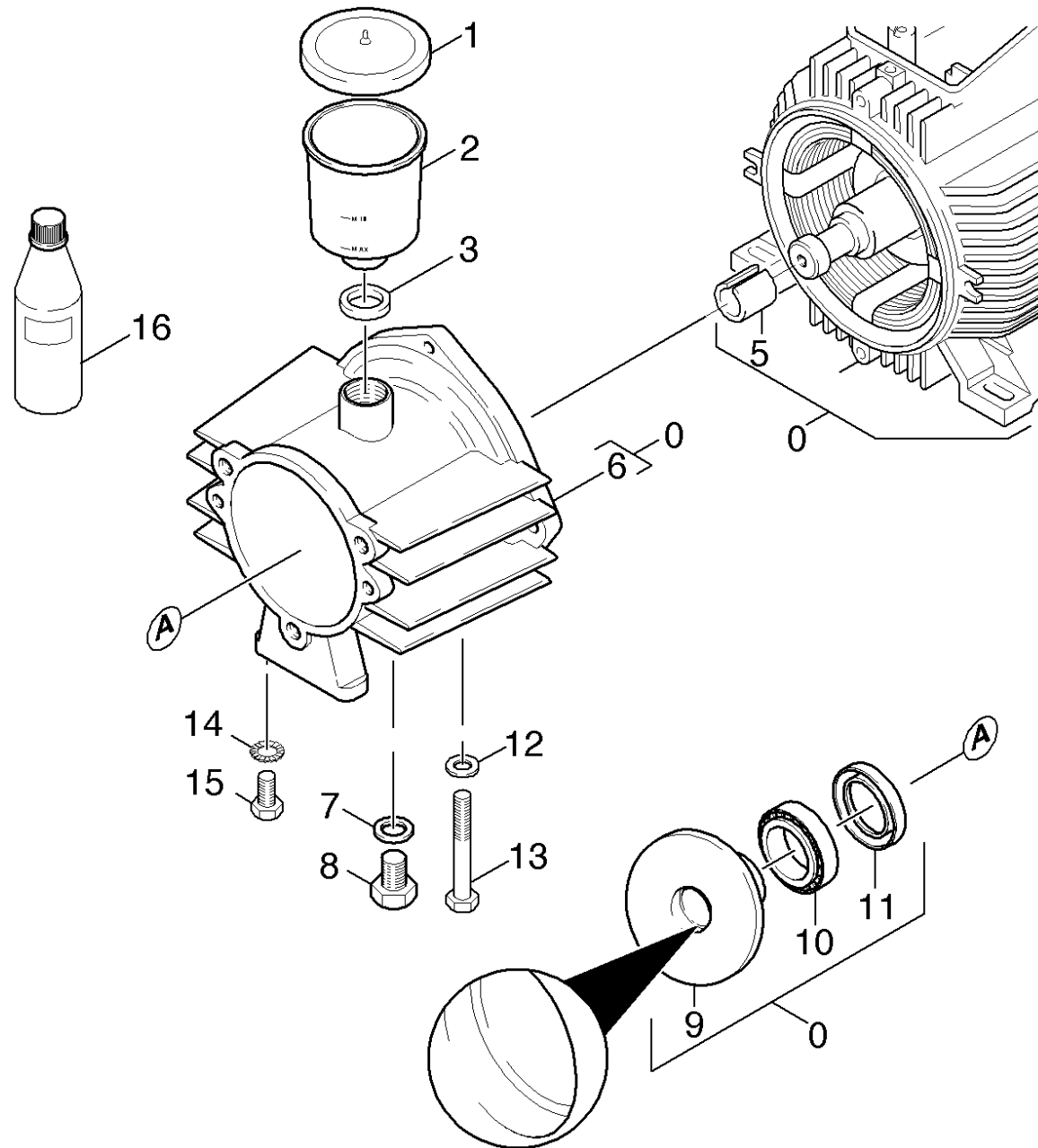
30 Motor

POS	Description	Quantity	Unit	Foot note text
31	Individual parts	1.000	ST	
33	Transmission	1.000	ST	VERSION 2
32	Transmission	1.000	ST	VERSION 1



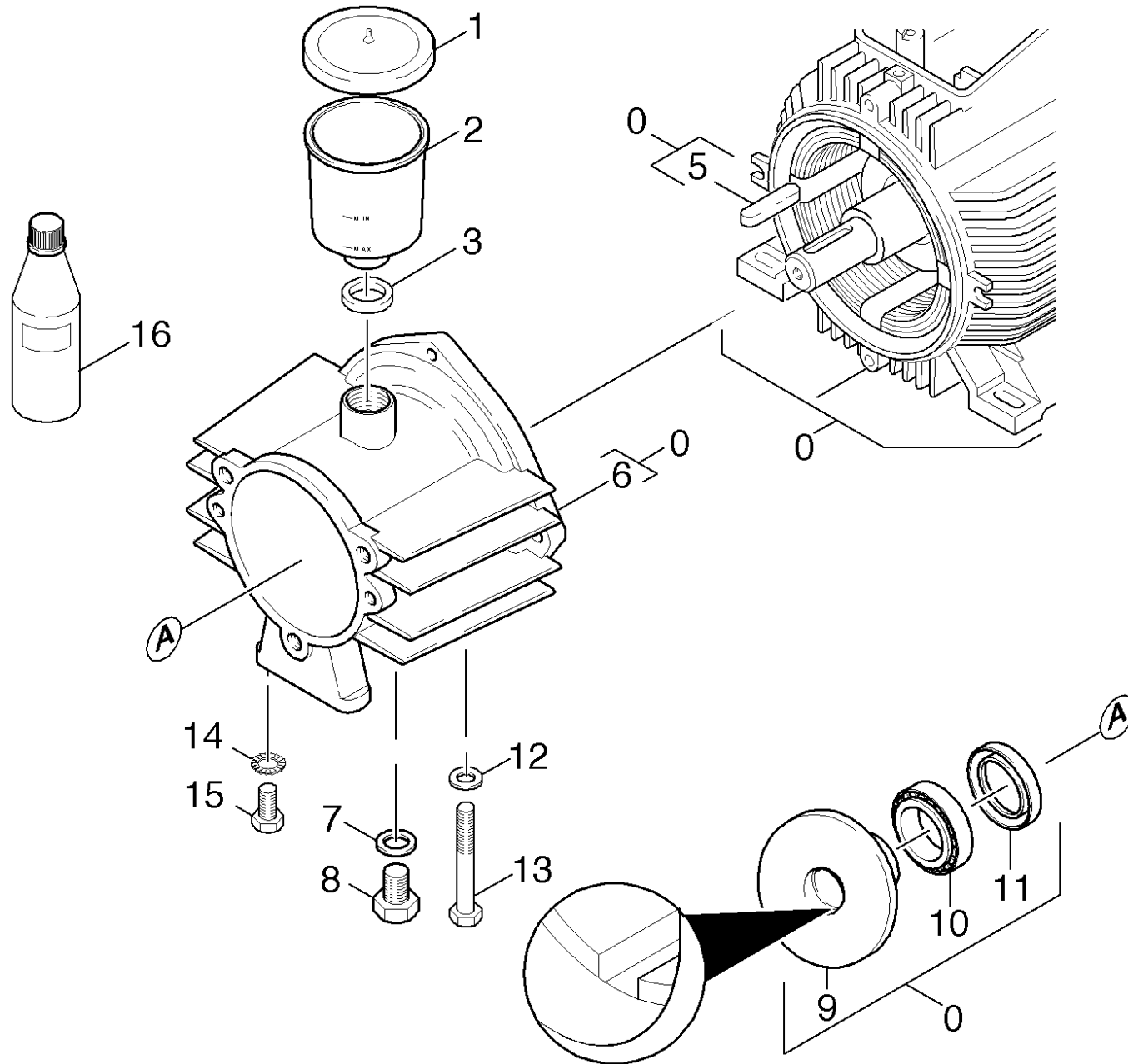
31 Individual parts

POS	Article no.	Description	Quantity	Unit	Foot note text
5	7.401-132.0	Ball bearing 6206-2Z-WAELZLAGST DIN 625	1.000	ST	
3	6.611-377.0	Bearing plate	1.000	ST	
2	6.611-247.0	Blower wheel	1.000	ST	
7	6.641-356.0	Cable gland PG16	1.000	ST	
1	6.611-352.0	Cover blower	1.000	ST	
0	6.611-353.0	Electric motor -220/380V	1.000	ST	VERSION 1
0	6.615-046.0	Electric motor only for replacement 4,5	1.000	ST	VERSION 2
8	6.641-370.0	Locknut PG16-PA DIN 46320	1.000	ST	
6	6.273-070.0	Seal string cellular rubber 4	1.000	M	TO ORDER AS CUT GOODS
4	6.343-010.0	Tolerance ring 62x10	1.000	ST	



32 Transmission

POS	Article no.	Description	Quantity	Unit
10	7.401-035.0	Ball bearing 7307B-TN DIN 628	1.000	ST
2	5.070-048.0	Box	1.000	ST
1	5.063-189.0	Cover	1.000	ST
0	6.611-353.0	Electric motor -220/380V	1.000	ST
16	6.288-016.0	Gear oil 1L	1.000	ST
15	7.304-395.0	Hexagonal head screw M8x16-8.8-A2E ISO	2.000	ST
13	7.304-096.0	Hexagonal head screw M8x60-8.8-A2E ISO	1.000	ST
6	5.060-267.0	Housing	1.000	ST
3	5.363-100.0	Joint ring	1.000	ST
7	7.362-005.0	Joint ring A14x18 -Cu DIN 7603	1.000	ST
11	7.367-009.0	Radial shaft seal ring A35x52x7-NBR DIN	1.000	ST
8	7.382-233.0	Screw plug M14x1,5-A-CuZn DIN 7604	1.000	ST
5	6.343-019.0	Tolerance ring	1.000	ST
14	7.312-166.0	Toothed lock washer A8,4-FSt-A3E DIN 67	2.000	ST
12	7.312-004.0	Washer 8 -200HV-A3E ISO 7090	1.000	ST
9	5.120-147.0	Wobble plate	1.000	ST

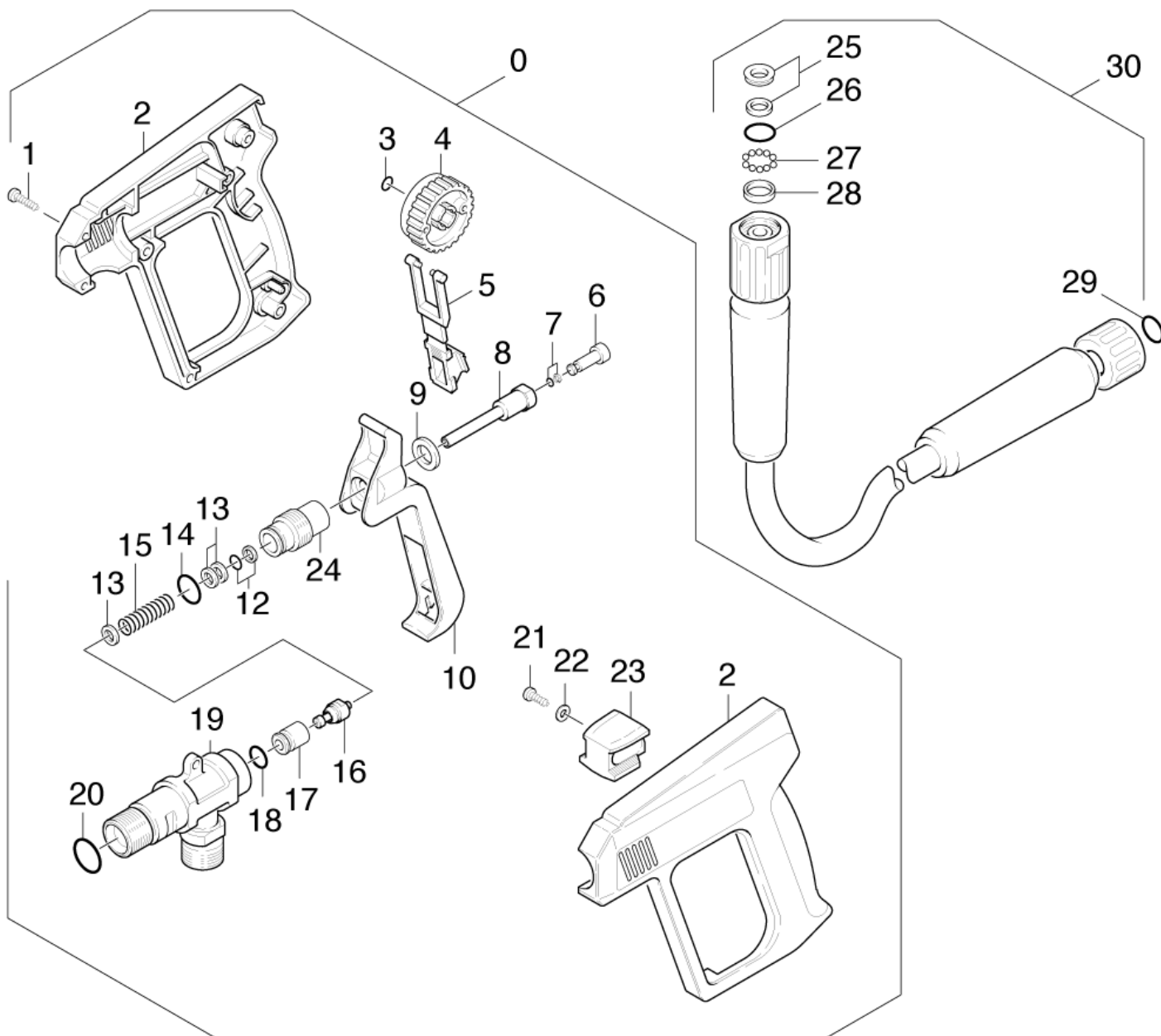


33 Transmission

POS	Article no.	Description	Quantity	Unit
2	5.070-048.0	Box	1.000	ST
1	5.063-189.0	Cover	1.000	ST
0	6.615-046.0	Electric motor only for replacement 4,5	1.000	ST
16	6.288-016.0	Gear oil 1L	1.000	ST
15	7.304-395.0	Hexagonal head screw M8x16-8.8-A2E ISO	2.000	ST
13	7.304-096.0	Hexagonal head screw M8x60-8.8-A2E ISO	1.000	ST
3	5.363-100.0	Joint ring	1.000	ST
7	7.362-005.0	Joint ring A14x18 -Cu DIN 7603	1.000	ST
5	7.318-035.0	Parallel key 8x7x25 -C45R DIN 6885-1	1.000	ST
11	7.367-009.0	Radial shaft seal ring A35x52x7-NBR DIN	1.000	ST
8	7.382-233.0	Screw plug M14x1,5-A-CuZn DIN 7604	1.000	ST
6	7.777-999.0	Stockpiling discontinued	1.000	ST
10	6.401-225.3	Taper roller bearing 41	1.000	ST
14	7.312-166.0	Toothed lock washer A8,4-FSt-A3E DIN 67	2.000	ST
12	7.312-004.0	Washer 8 -200HV-A3E ISO 7090	1.000	ST
9	5.120-379.0	Wobble plate	1.000	ST

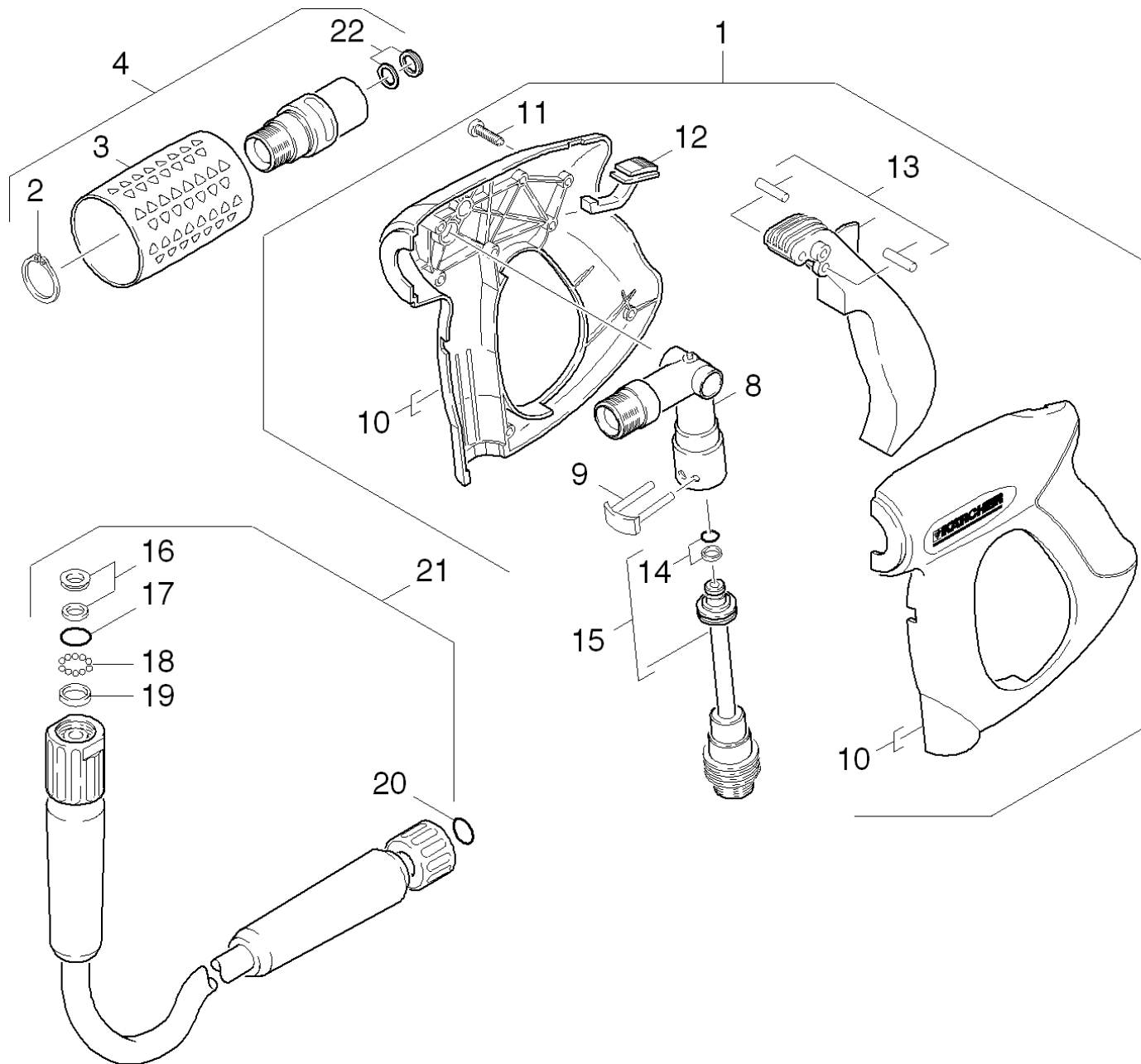
40 Accessories

POS	Description	Quantity	Unit	Remark
41	Hand trigger gun	1.000	ST	
42	Hand trigger gun	1.000	ST	
44	Jet pipe	1.000	ST	VERSION 2
43	Jet pipe	1.000	ST	VERSION 1
45	Nozzle	1.000	ST	



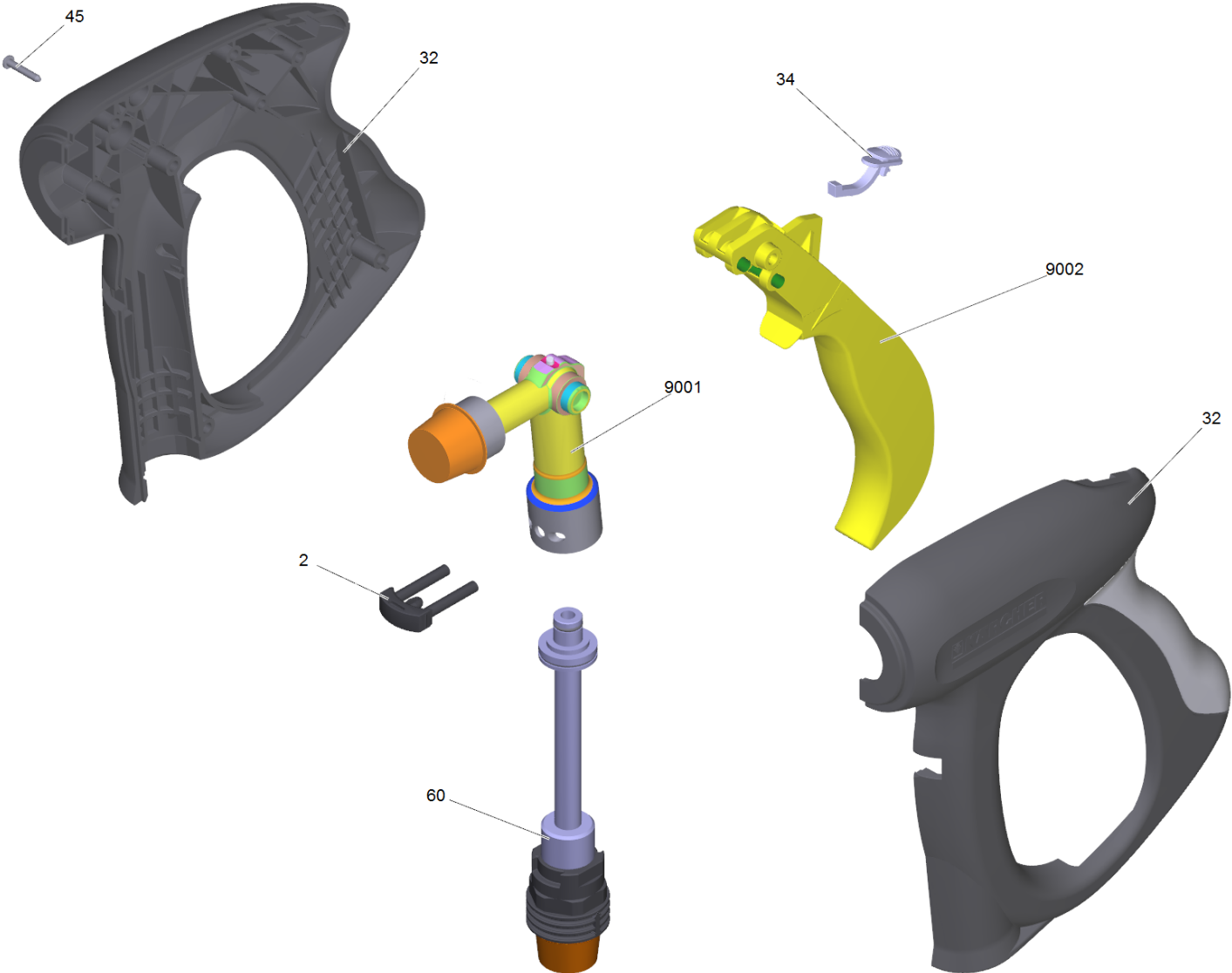
41 Hand trigger gun

POS	Article no.	Description	Quantity	Unit
8	5.107-062.0	Bar	1.000	ST
25	4.363-692.0	Grooved ring kpl. -nur fuer Ersatz-	1.000	ST
2	5.321-107.0	Handhold few	1.000	ST
4	5.322-006.0	Hand wheel	1.000	ST
15	5.332-140.0	Helical spring	1.000	ST
30	6.389-479.0	Hose assembly rotatable hygiene 10m DN8	1.000	ST
28	6.362-529.0	Joint ring 12x1,5	1.000	ST
10	5.481-042.0	Lever	1.000	ST
19	5.427-079.0	Manifold	1.000	ST
5	5.030-283.0	Moulded part	1.000	ST
23	5.030-321.0	Moulded part	1.000	ST
3	6.362-176.0	O-Ring seal 6,07x1,78	1.000	ST
18	6.362-479.0	O-Ring seal 7,59X 2,62	1.000	ST
14	6.362-478.0	O-Ring seal 12,42X 1,78	1.000	ST
26	6.362-524.0	O-Ring seal 17,0 X 1,5	1.000	ST
20	6.362-496.0	O-Ring seal 17,12X 2,62-NBR 70	1.000	ST
12	6.362-468.0	O-Ring seal complete 1ST.-R.	1.000	ST
7	6.362-477.0	O-Ring seal complete 1ST.-R.	1.000	ST
6	5.553-118.0	Piston	1.000	ST
1	7.303-096.0	Screw 4x22 -ST-10.9-R2R (IN6RD)	8.000	ST
24	5.305-110.0	Shaped screw	1.000	ST
17	5.110-217.0	Sleeve	1.000	ST
29	2.880-990.0	Spare part set O-Ring 5x -Kaercher	1.000	ST
27	7.401-921.0	Sphere 4 G20 -1.4034 DIN 5401	12.000	ST
0	7.777-999.0	Stockpiling discontinued	1.000	ST
16	4.581-013.0	Valve seat	1.000	ST
9	5.115-227.0	Washer	1.000	ST
13	5.115-260.0	Washer	1.000	ST
22	7.312-001.0	Washer 4 -200HV-A3E ISO 7089	1.000	ST



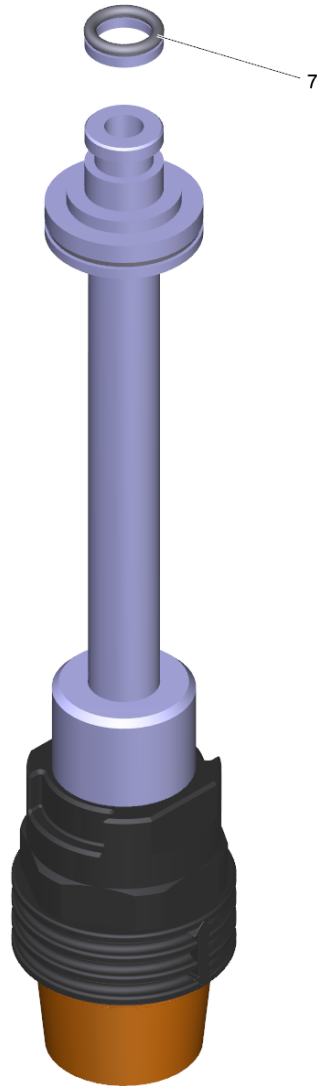
42 Hand trigger gun

POS	Article no.	Description	Quantity	Unit
15	4.421-739.3	Adapter pipelines AVS-M22x1,5	1.000	ST
16	4.363-692.0	Grooved ring kpl. -nur fuer Ersatz-	1.000	ST
22	4.363-695.0	Grooved ring only for replacement	1.000	ST
10	5.321-669.3	Handhold few	1.000	ST
3	5.321-668.0	Handle	1.000	ST
1	4.775-466.0	Hand trigger gun	1.000	ST
9	4.037-013.0	Hook	1.000	ST
5	6.390-208.0	Hose assembly DN8 40MPa 20m	1.000	ST
21	6.389-479.0	Hose assembly rotatable hygiene 10m DN8	1.000	ST
19	6.362-529.0	Joint ring 12x1,5	1.000	ST
13	4.481-209.0	Lever complete	1.000	ST
2	7.343-008.0	Locking ring 25x1,2-St-vz DIN 471	1.000	ST
8	4.427-215.0	Manifold complete only for replacement	1.000	ST
17	6.362-524.0	O-Ring seal 17,0 X 1,5	1.000	ST
14	4.363-691.0	O-Ring seal kpl. -nur fuer Ersatz-	1.000	ST
6	4.363-691.0	O-Ring seal kpl. -nur fuer Ersatz-	1.000	ST
4	4.775-470.0	Rotary controller 416L	1.000	ST
11	7.303-096.0	Screw 4x22 -ST-10.9-R2R (IN6RD)	7.000	ST
12	5.481-331.0	Slider	1.000	ST
7	2.880-990.0	Spare part set O-Ring 5x -Kaercher	1.000	ST
20	2.880-990.0	Spare part set O-Ring 5x -Kaercher	1.000	ST
18	7.401-921.0	Sphere 4 G20 -1.4034 DIN 5401	12.000	ST



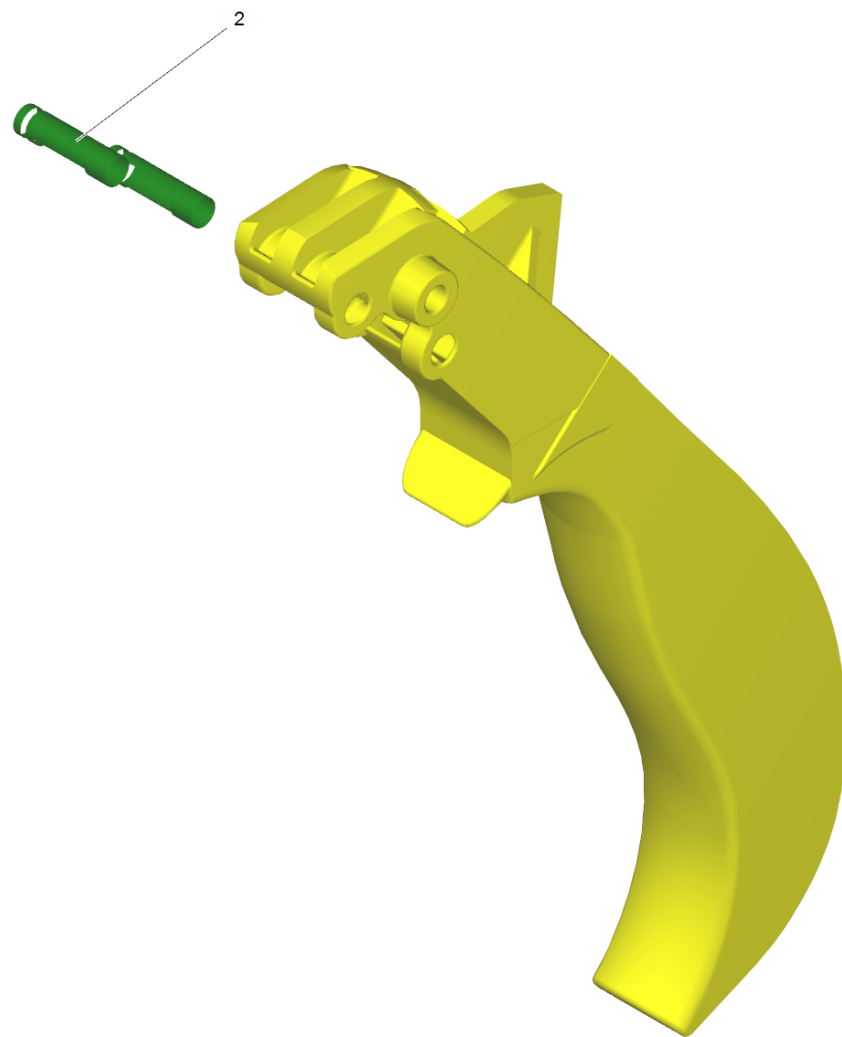
1 Hand trigger gun (4.775-466.0)

POS	Article no.	Description	Quantity	Unit
60	4.421-739.3	Adapter pipelines AVS-M22x1,5	1.000	ST
32	5.321-669.3	Handhold few	1.000	ST
2	4.037-013.0	Hook	1.000	ST
9002	4.481-209.0	Lever complete	1.000	ST
9001	4.427-215.0	Manifold complete only for replacement	1.000	ST
45	7.303-096.0	Screw 4x22 -ST-10.9-R2R (IN6RD)	7.000	ST
34	5.481-331.0	Slider	1.000	ST



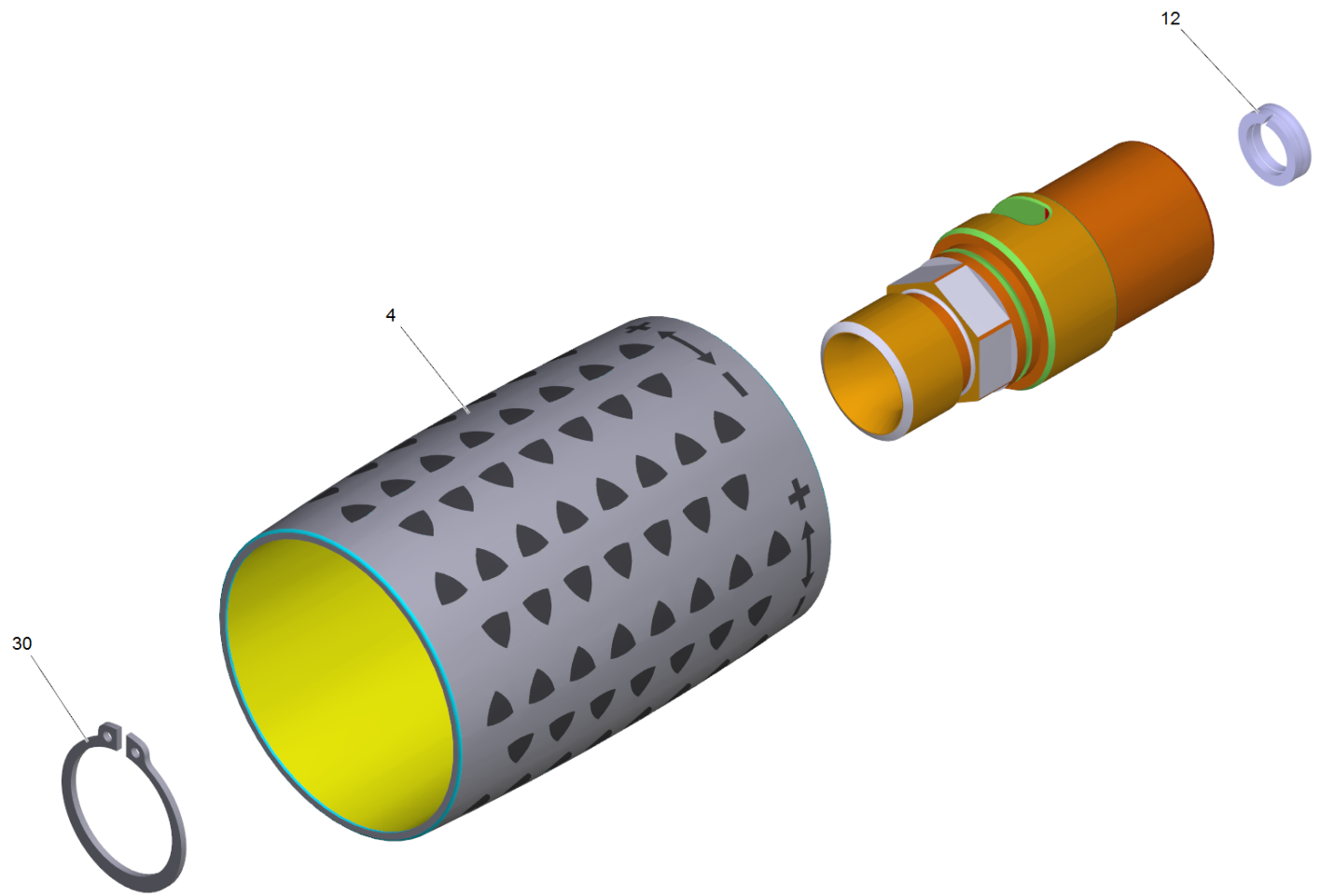
60 Adapter pipelines AVS-M22x1,5 (4.421-739.3)

POS	Article no.	Description	Quantity	Unit
7	4.363-691.0	O-Ring seal kpl. -nur fuer Ersatz-	1.000	ST



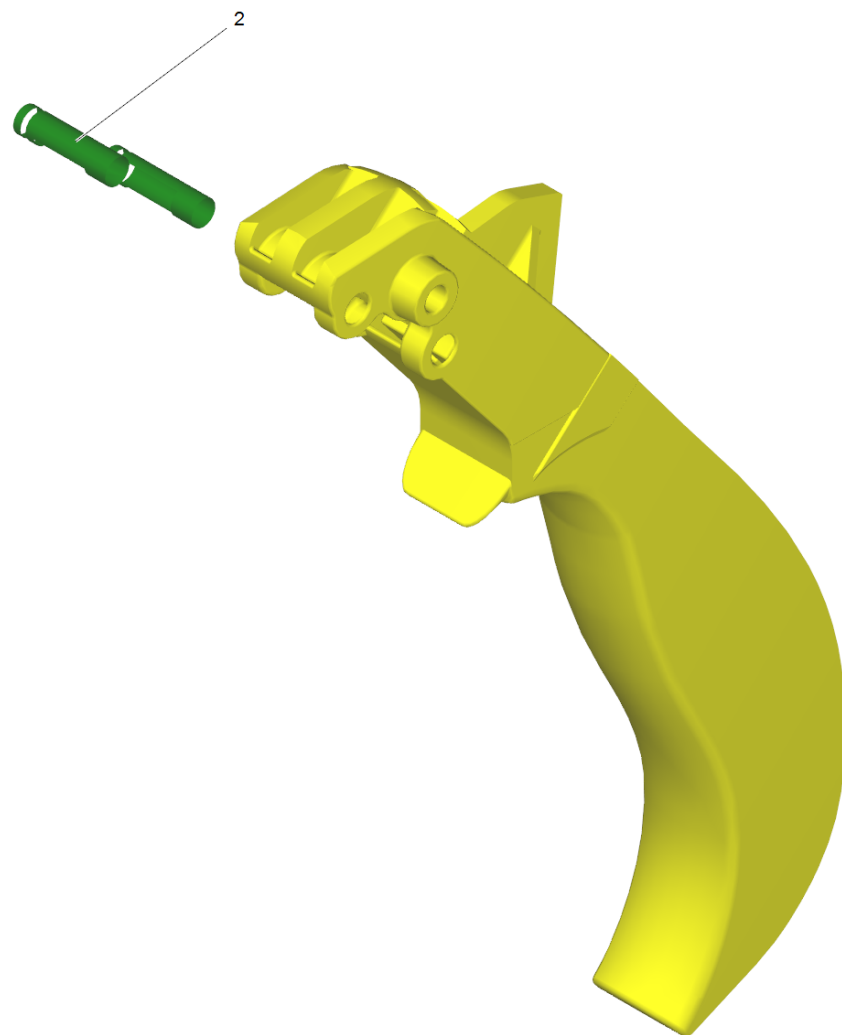
9002 Lever complete (4.481-209.0)

POS	Article no.	Description	Quantity	Unit
2	5.314-119.0	Pin	2.000	ST



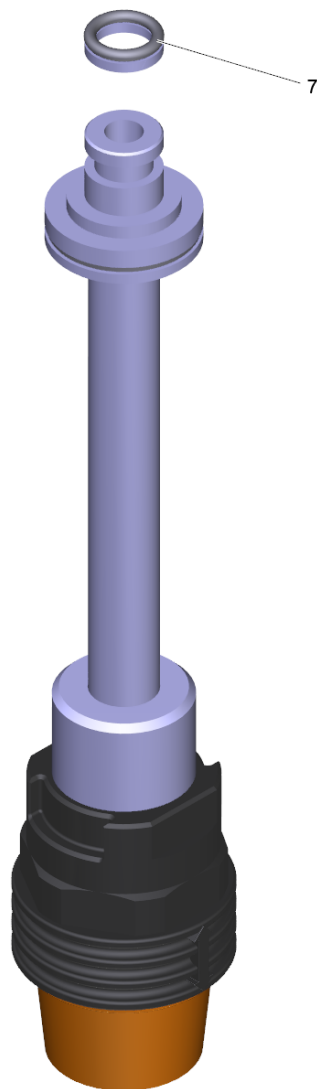
4 Rotary controller 416L (4.775-470.0)

POS	Article no.	Description	Quantity	Unit
12	4.363-695.0	Grooved ring only for replacement	1.000	ST
4	5.321-668.0	Handle	1.000	ST
30	7.343-069.0	Locking ring 25x1,2-1.4122 DIN 471	1.000	ST



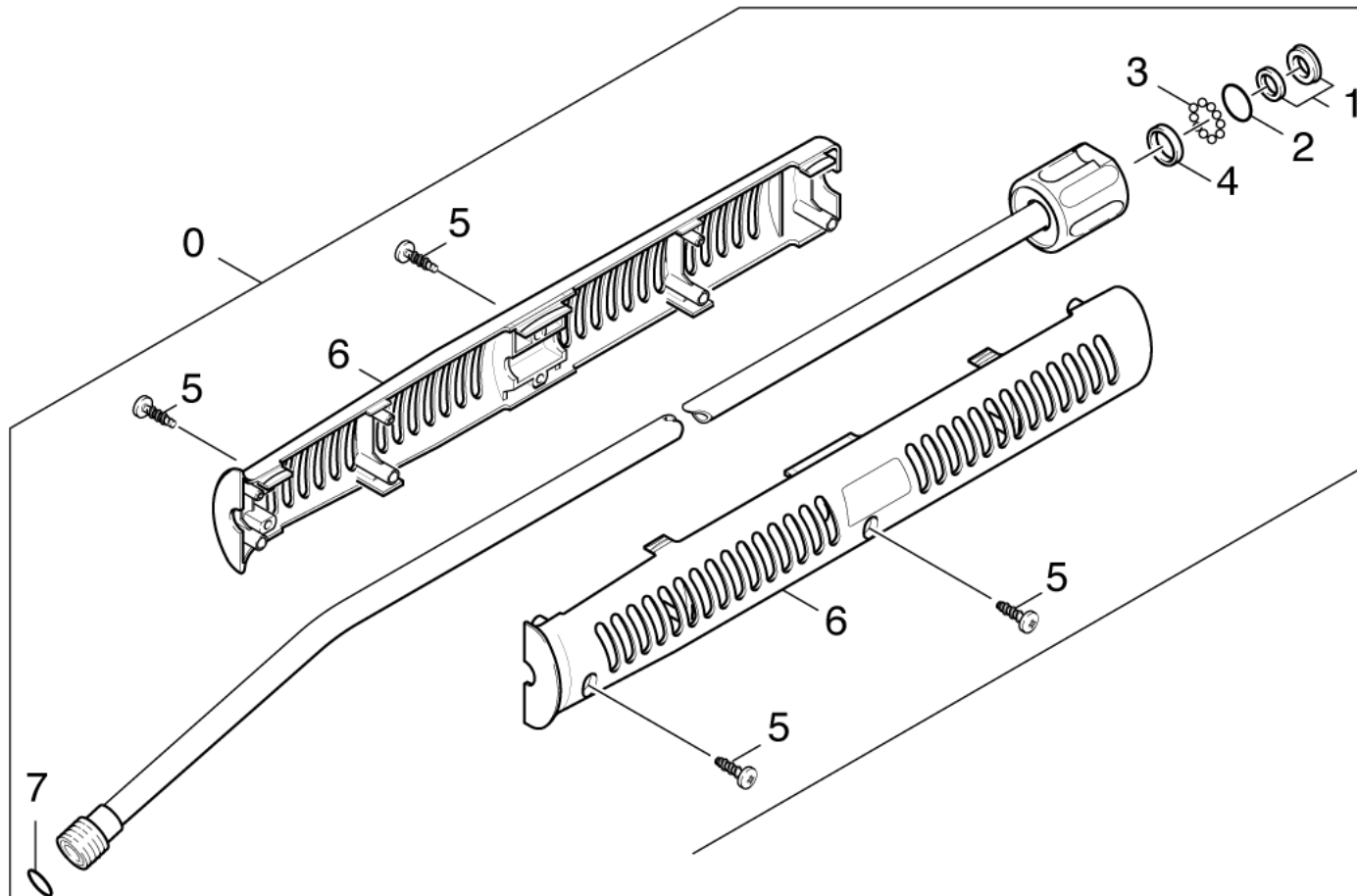
13 Lever complete (4.481-209.0)

POS	Article no.	Description	Quantity	Unit
2	5.314-119.0	Pin	2.000	ST



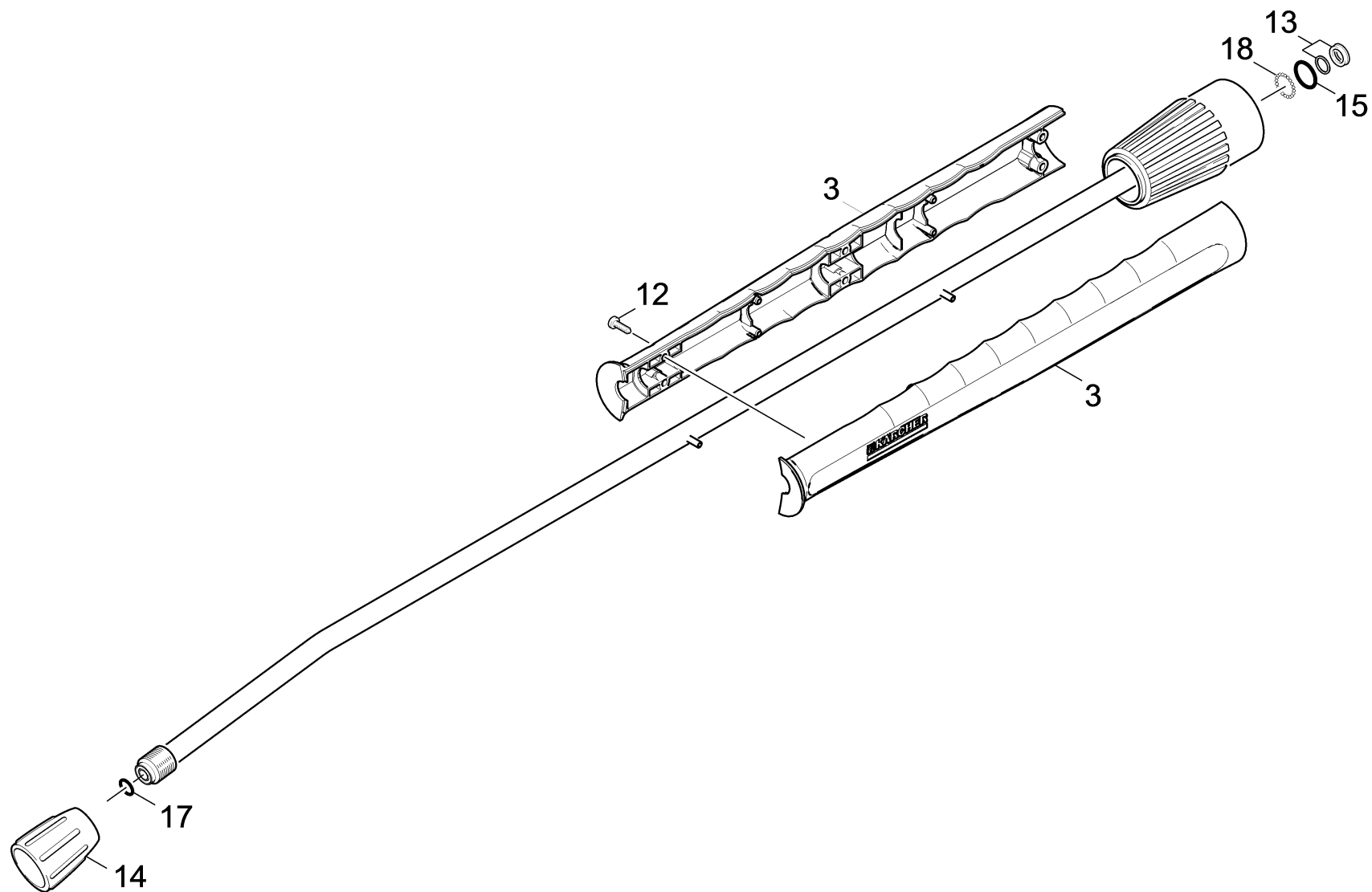
15 Adapter pipelines AVS-M22x1,5 (4.421-739.3)

POS	Article no.	Description	Quantity	Unit
7	4.363-691.0	O-Ring seal kpl. -nur fuer Ersatz-	1.000	ST



43 Jet pipe

POS	Article no.	Description	Quantity	Unit
1	4.363-692.0	Grooved ring kpl. -nur fuer Ersatz-	1.000	ST
6	5.321-150.0	HANDLE (PART NO=ONE HALF)	2.000	ST
0	4.760-660.0	Jet pipe packaged only for replacement	1.000	ST
4	6.362-529.0	Joint ring 12x1,5	1.000	ST
2	6.362-524.0	O-Ring seal 17,0 X 1,5	1.000	ST
5	6.303-025.0	Oval head screw 4,2x16-St-vz	2.000	ST
7	2.880-990.0	Spare part set O-Ring 5x -Kaercher	1.000	ST
3	7.401-921.0	Sphere 4 G20 -1.4034 DIN 5401	12.000	ST

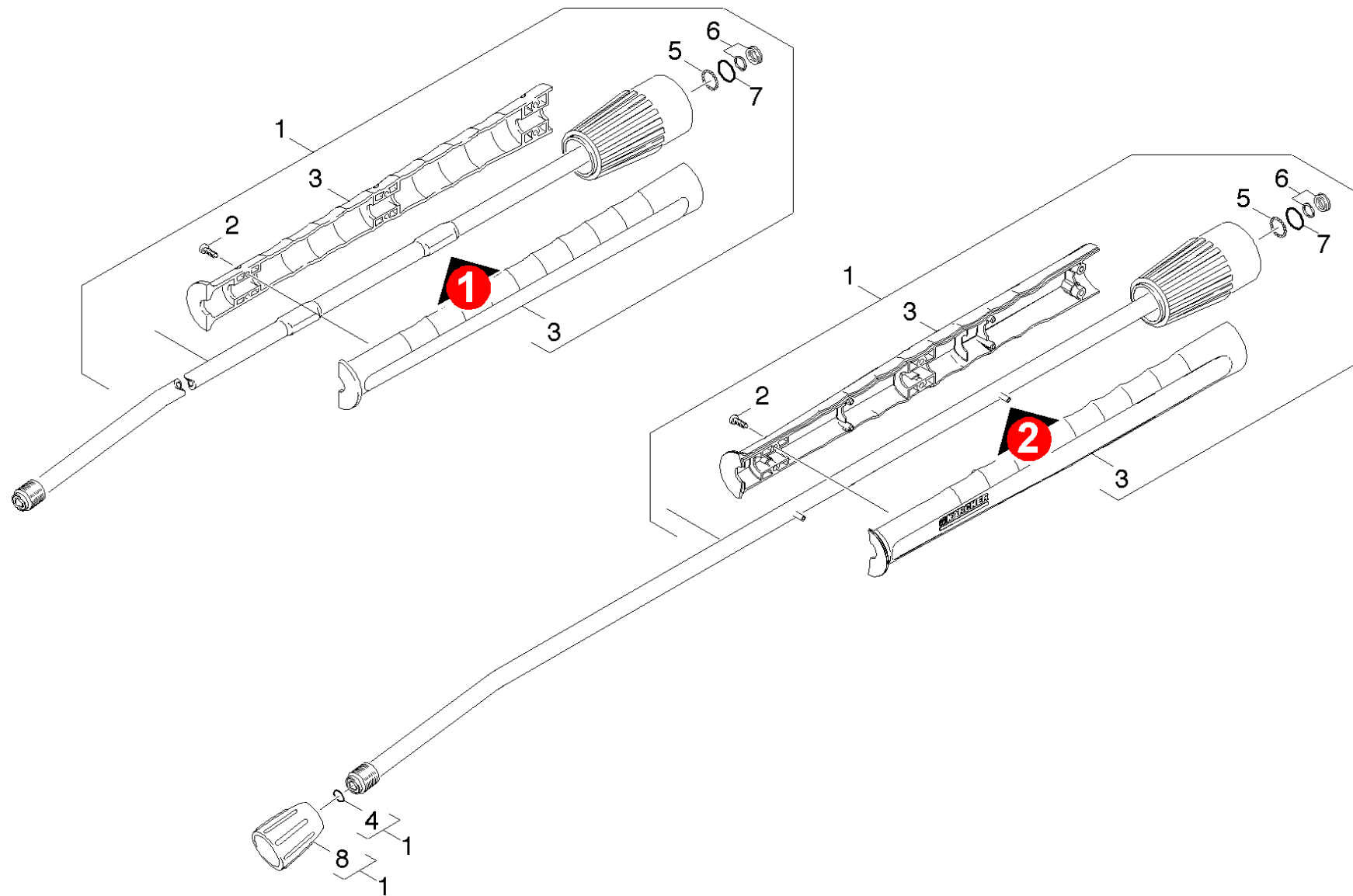


Jet pipe packaged only for replacement (4.760-660.0)

POS	Article no.	Description	Quantity	Unit
13	4.363-692.0	Grooved ring kpl. -nur fuer Ersatz-	1.000	ST
3	5.321-855.0	Handhold few jet pipe with welding bolt	1.000	ST
15	6.362-524.0	O-Ring seal 17,0 X 1,5	1.000	ST
12	7.303-129.0	Screw 4x16 -10.9-R2R (K-In6Rd)	6.000	ST
14	5.401-210.0	Screw connector part	1.000	ST
17	2.880-990.0	Spare part set O-Ring 5x -Kaercher	1.000	ST
18	7.401-915.0	Sphere 2,5 G20 -1.4034 DIN 5401	1.000	ST

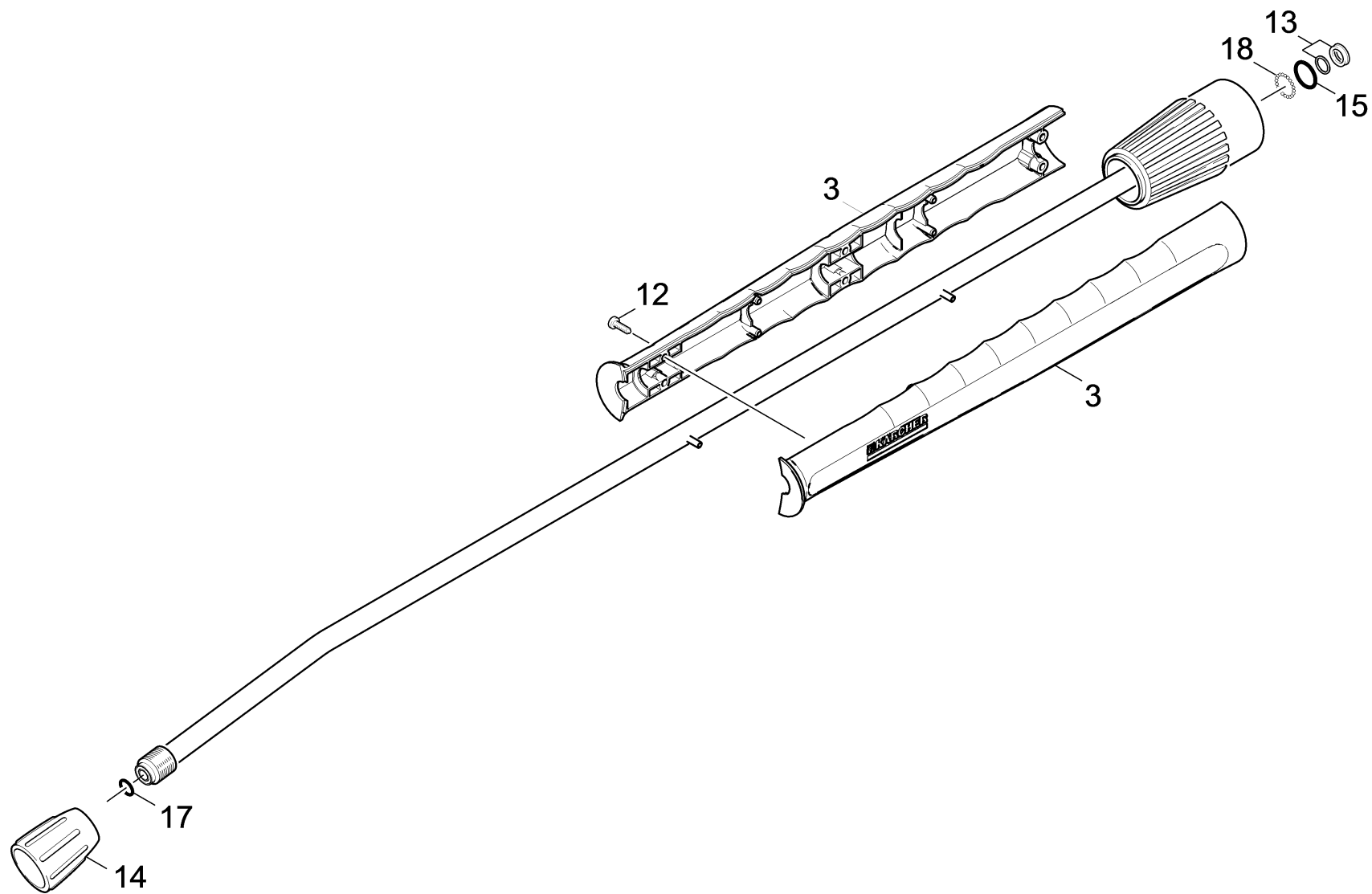
14 Screw connector part (5.401-210.0)

POS	Description	Quantity	Unit
10	PORCA CAPA INSERTO	1.000	ST



44 Jet pipe

POS	Article no.	Description	Quantity	Unit	Remark
6	4.363-692.0	Grooved ring kpl. -nur fuer Ersatz-	1.000	ST	
3	5.321-691.0	Handhold few jet pipe	1.000	ST	VERSION 1
3	5.321-855.0	Handhold few jet pipe with welding bolt	1.000	ST	VERSION 2
1	4.760-660.0	Jet pipe packaged only for replacement	1.000	ST	
7	6.362-524.0	O-Ring seal 17,0 X 1,5	1.000	ST	
2	7.303-129.0	Screw 4x16 -10.9-R2R (K-In6Rd)	6.000	ST	
8	5.401-129.0	Screw connector part	1.000	ST	
4	2.880-990.0	Spare part set O-Ring 5x -Kaercher	1.000	ST	
5	7.401-915.0	Sphere 2,5 G20 -1.4034 DIN 5401	20.000	ST	

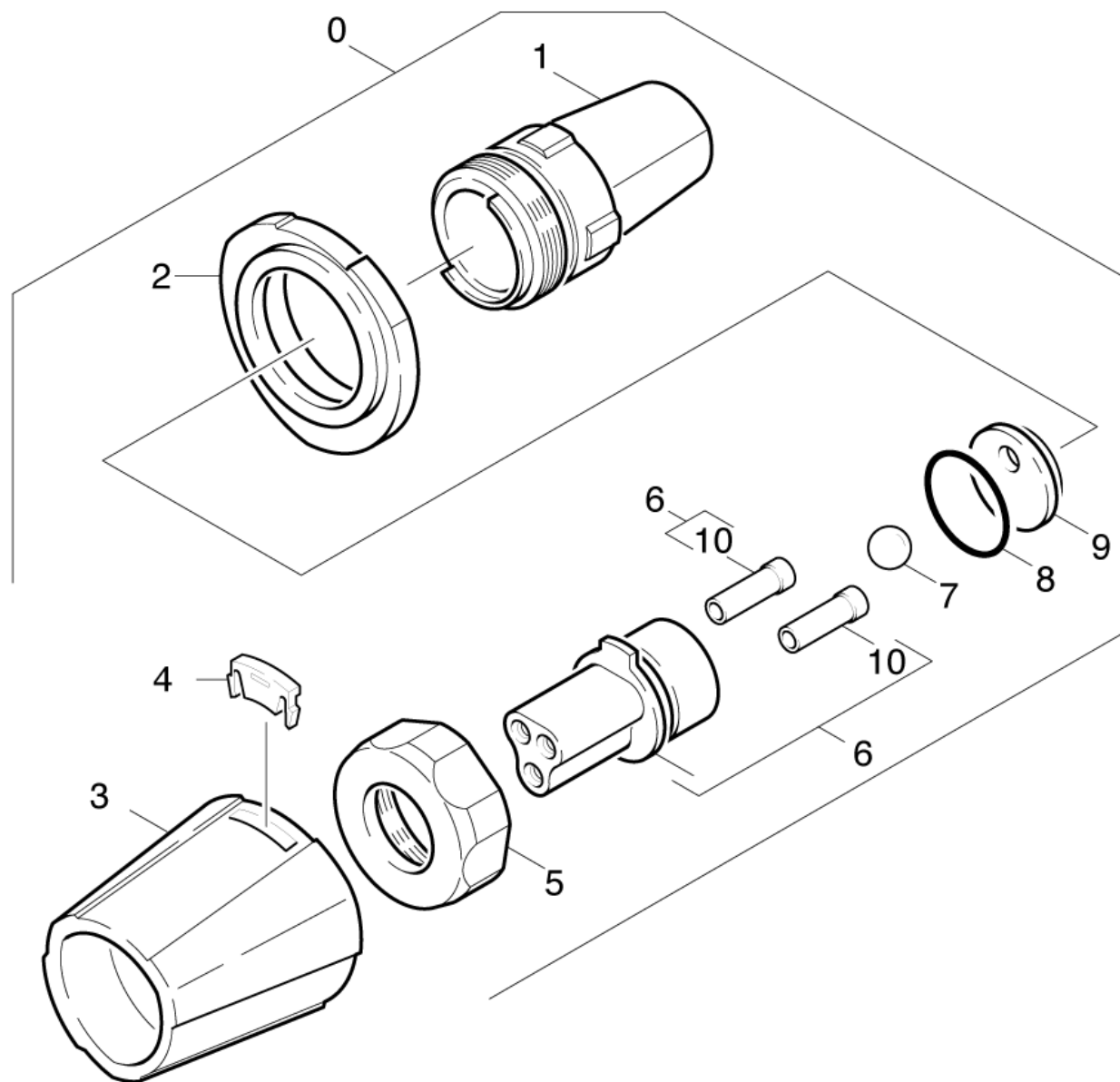


1 Jet pipe packaged only for replacement (4.760-660.0)

POS	Article no.	Description	Quantity	Unit
13	4.363-692.0	Grooved ring kpl. -nur fuer Ersatz-	1.000	ST
3	5.321-855.0	Handhold few jet pipe with welding bolt	1.000	ST
15	6.362-524.0	O-Ring seal 17,0 X 1,5	1.000	ST
12	7.303-129.0	Screw 4x16 -10.9-R2R (K-In6Rd)	6.000	ST
14	5.401-210.0	Screw connector part	1.000	ST
17	2.880-990.0	Spare part set O-Ring 5x -Kaercher	1.000	ST
18	7.401-915.0	Sphere 2,5 G20 -1.4034 DIN 5401	1.000	ST

14 Screw connector part (5.401-210.0)

POS	Description	Quantity	Unit
10	PORCA CAPA INSERTO	1.000	ST



45 Nozzle

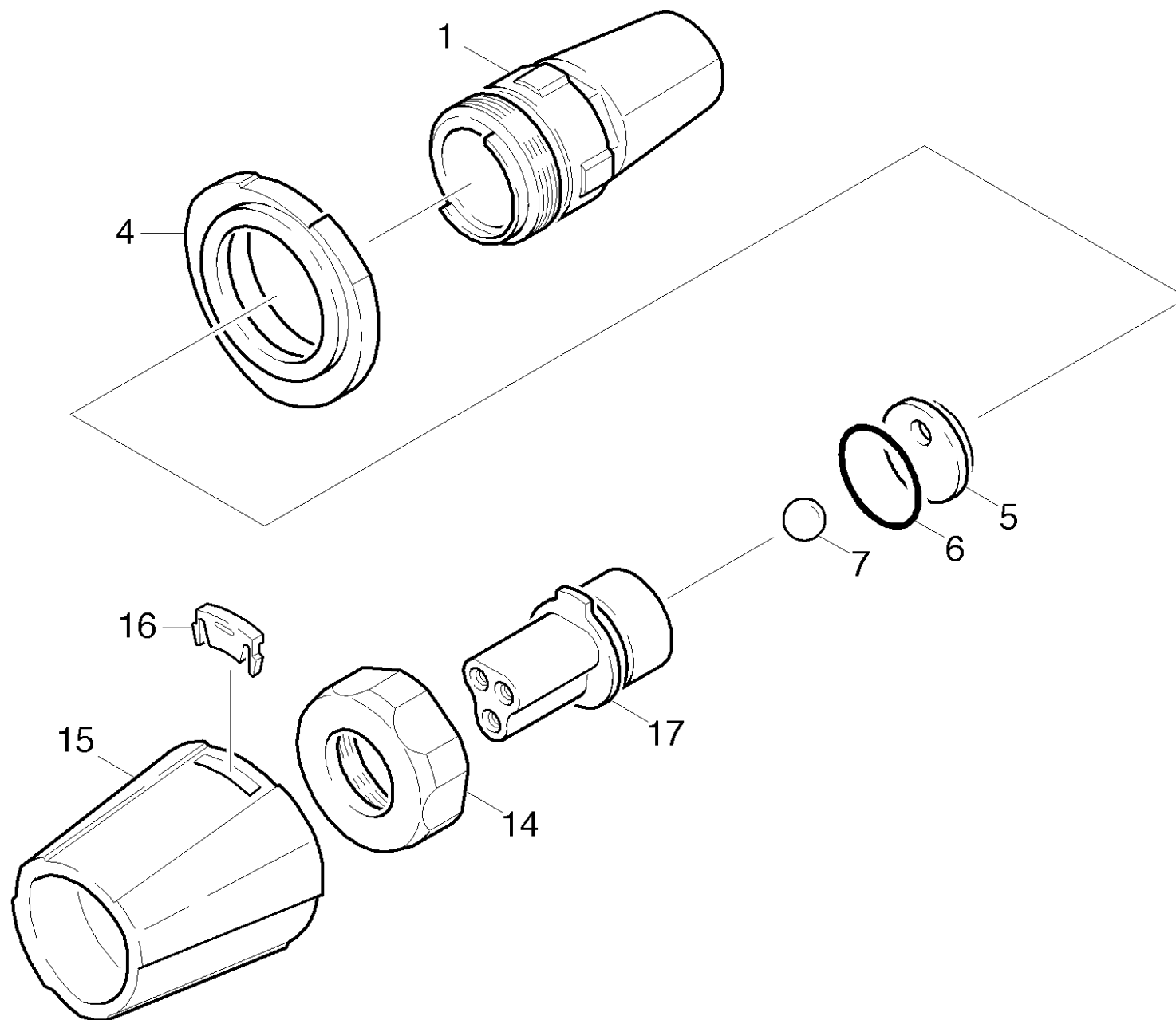
POS	Article no.	Description	Quantity	Unit
1	4.060-395.0	Housing complete only for replacement	1.000	ST
9	5.031-370.0	Moulded part	1.000	ST
4	5.031-709.0	Moulded part	1.000	ST
6	4.764-159.0	Nozzle holder 055	1.000	ST
8	6.363-612.0	O-Ring seal 22 x 2 -NBR90	1.000	ST
2	5.394-401.0	Protection part	1.000	ST
3	5.394-402.0	Protection part	1.000	ST
10	5.031-597.0	Rectifier	2.000	ST
7	7.401-917.0	Sphere 10,0 G100-1.4301 DIN 5401	1.000	ST
0	4.767-066.0	Triple jet nozzle 055	1.000	ST
5	5.311-192.0	Union nut	1.000	ST

Triple jet nozzle 055 (4.767-066.0)

POS	Article no.	Description	Quantity	Unit
2	5.970-000.0	Spare parts list triple jet nozzle	1.000	ST
Item text2: 47670660				

2 Spare parts list triple jet nozzle (5.970-000.0)

POS	Description	Quantity	Unit
10	Triple jet nozzle	1.000	ST



10 Triple jet nozzle

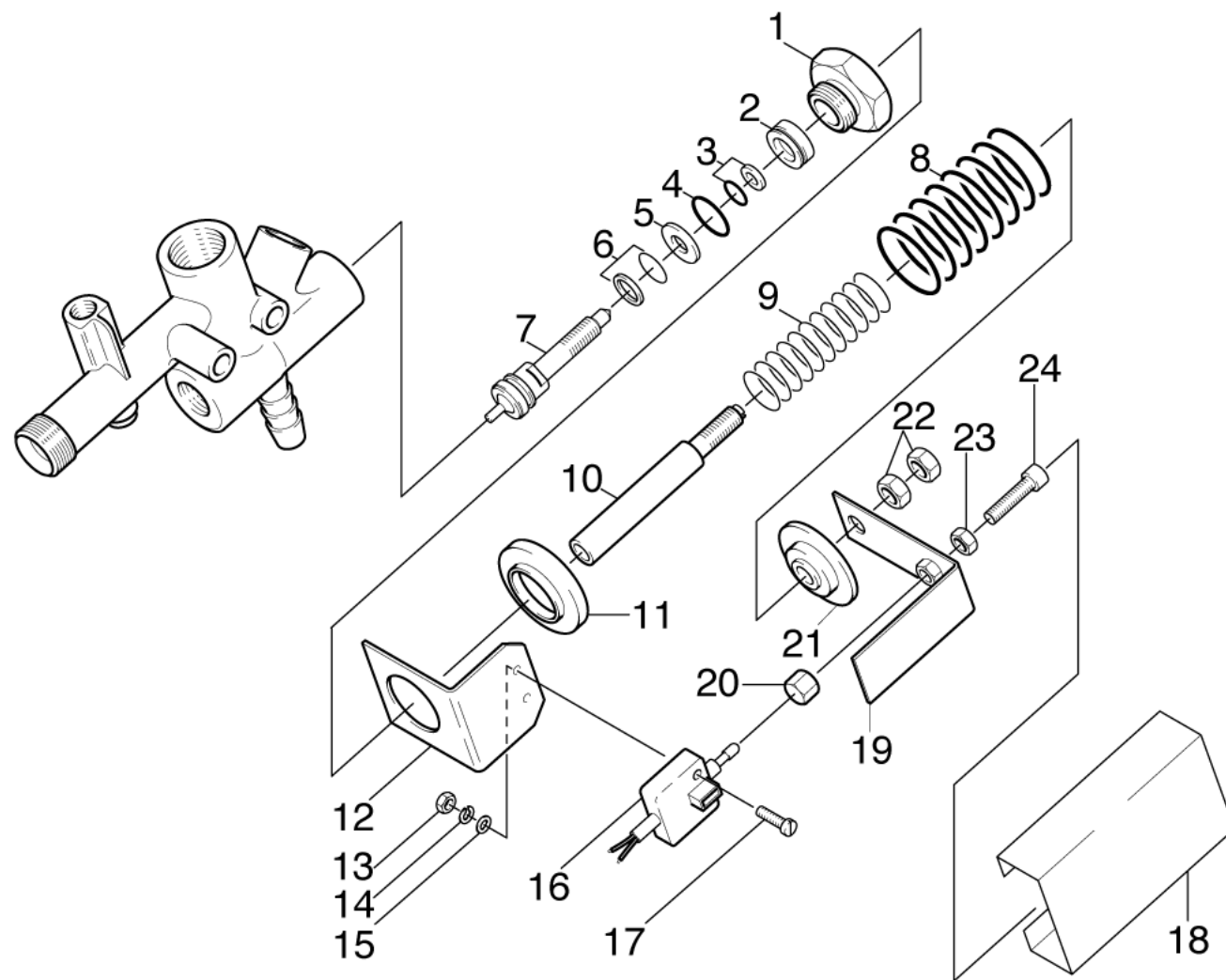
POS	Article no.	Description	Quantity	Unit	Remark
1	4.060-395.0	Housing complete only for replacement	1.000	ST	
5	5.031-370.0	Moulded part	1.000	ST	
16	5.031-709.0	Moulded part	1.000	ST	
17	4.764-173.0	Nozzle holder 0100	1.000	ST	4.767-106.0
17	4.764-157.0	Nozzle holder 047	1.000	ST	4.767-064.0
17	4.764-158.0	Nozzle holder 05	1.000	ST	4.767-065.0
17	4.764-159.0	Nozzle holder 055	1.000	ST	4.767-066.0
17	4.764-161.0	Nozzle holder 08	1.000	ST	4.767-068.0
17	4.764-169.0	Nozzle holder 09	1.000	ST	4.767-075.0
6	6.363-612.0	O-Ring seal 22 x 2 -NBR90	1.000	ST	
15	5.394-402.0	Protection part	1.000	ST	
4	5.394-401.0	Protection part	1.000	ST	
7	7.401-917.0	Sphere 10,0 G100-1.4301 DIN 5401	1.000	ST	
17	7.777-999.0	Stockpiling discontinued	1.000	ST	4.767-067.0/-069.0
14	5.311-192.0	Union nut	1.000	ST	

17 Nozzle holder 055 (4.764-159.0)

POS	Article no.	Description	Quantity	Unit
9	6.590-002.0	Bag PE 150x230 mm	1.000	ST
		Item text2: 47641590		
7	6.362-661.0	O-Ring seal 5,0 X 1,0-NBR 80	3.000	ST
		Item text2: 47641590		
8	6.363-612.0	O-Ring seal 22 x 2 -NBR90	1.000	ST
		Item text2: 47641590		
1	5.031-597.0	Rectifier	2.000	ST
		Item text2: 47641590		

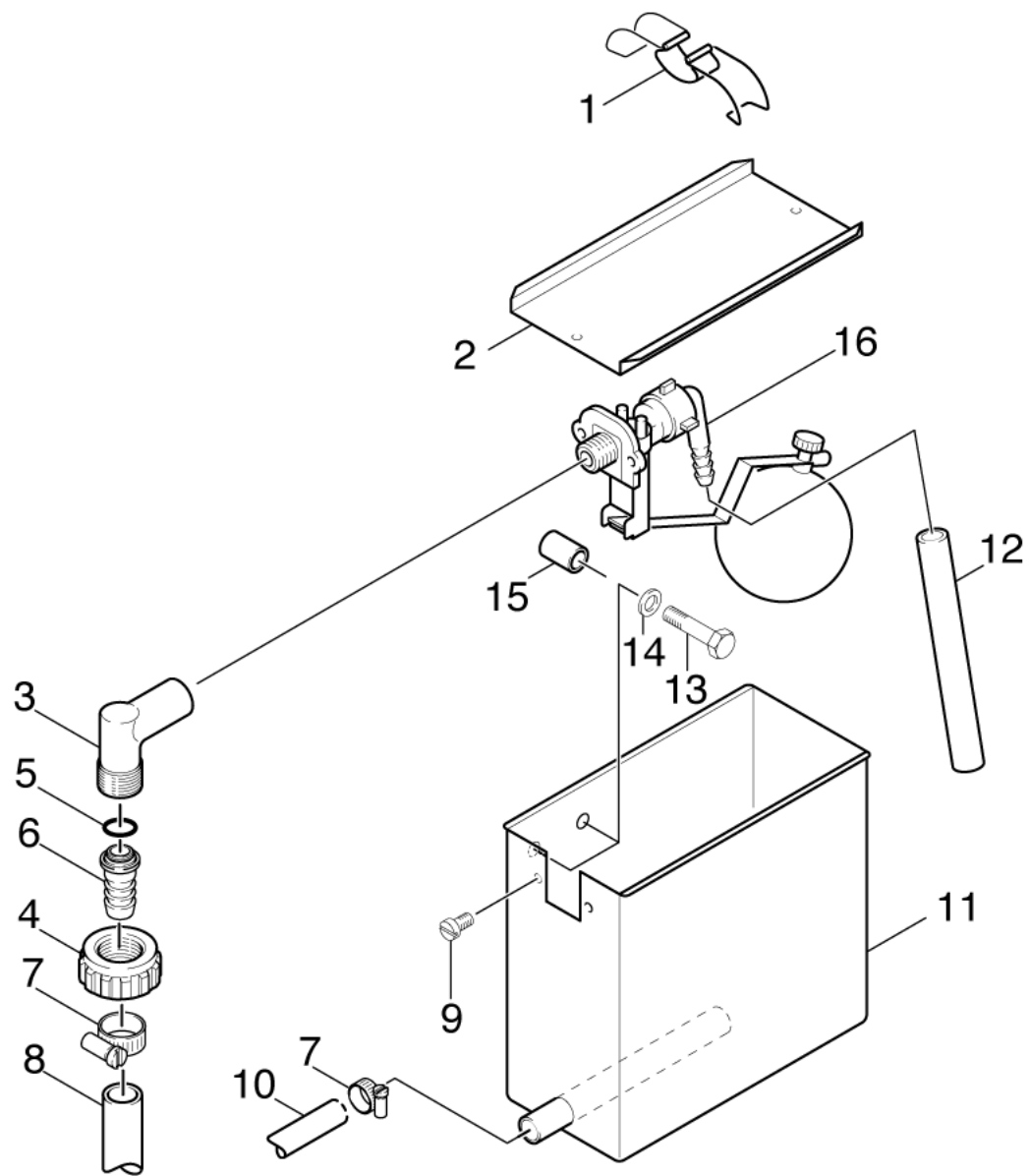
6 Nozzle holder 055 (4.764-159.0)

POS	Article no.	Description	Quantity	Unit
9	6.590-002.0	Bag PE 150x230 mm	1.000	ST
	Item text2: 47641590			
7	6.362-661.0	O-Ring seal 5,0 X 1,0-NBR 80	3.000	ST
	Item text2: 47641590			
8	6.363-612.0	O-Ring seal 22 x 2 -NBR90	1.000	ST
	Item text2: 47641590			
1	5.031-597.0	Rectifier	2.000	ST
	Item text2: 47641590			



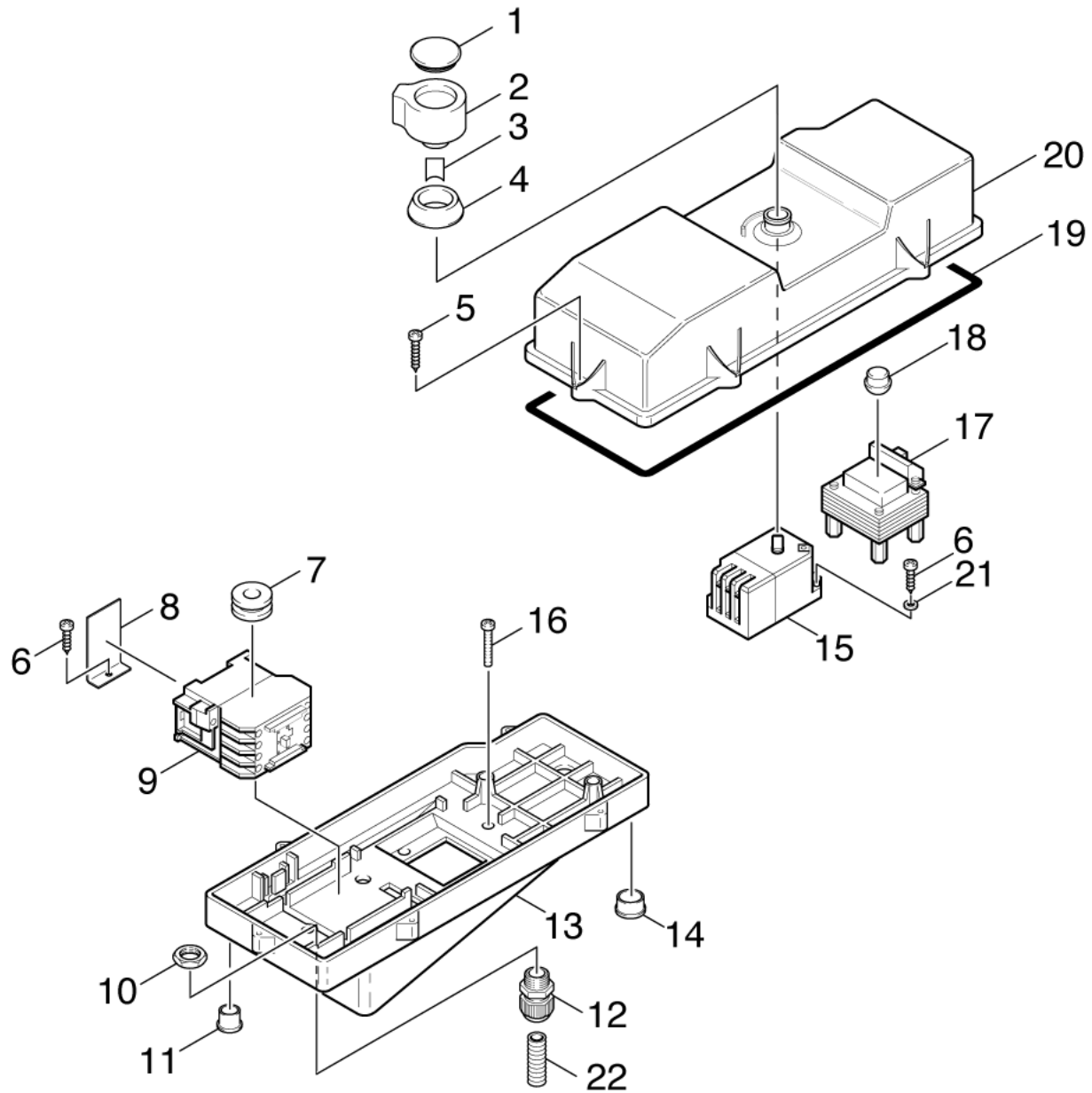
50 Safety system

POS	Article no.	Description	Quantity	Unit
19	4.021-057.0	Angle	1.000	ST
12	5.018-166.0	Angle	1.000	ST
10	5.107-066.0	Bar	1.000	ST
2	5.112-311.0	Bush	1.000	ST
17	7.306-406.0	Cylinder head screw M3x16-4.8-A2E ISO 1	2.000	ST
9	5.332-093.0	Helical spring	1.000	ST
8	5.332-092.0	Helical spring	1.000	ST
24	7.304-549.0	Hexagonal head screw M 6x30-A4-70 ISO 4	1.000	ST
13	7.311-000.0	Hexagon nut M3 -8-A2E ISO 4032	2.000	ST
20	5.311-130.0	Hexagon nut M 6	1.000	ST
23	7.311-067.0	Hexagon nut M 6-A2-70 ISO 4032	1.000	ST
22	7.311-068.0	Hexagon nut M 8-A2-70 ISO 4032	1.000	ST
16	6.631-125.0	Micro switch	1.000	ST
11	5.030-776.0	Moulded part	1.000	ST
6	6.362-575.0	O-Ring seal 12,42 KOMPL	1.000	ST
4	6.362-395.0	O-Ring seal 14,0 X 1,78-NBR 70	1.000	ST
3	6.362-365.0	O-Ring seal complete 1ST.-R.- 7,65X 1,7	1.000	ST
7	5.553-198.0	Piston	1.000	ST
1	5.305-189.0	Shaped screw	1.000	ST
18	5.040-457.0	Sheet metal component	1.000	ST
14	7.313-000.0	Spring washer B 3-FSt-A3E DIN 127	2.000	ST
21	5.115-297.0	Washer	1.000	ST
5	5.115-402.0	Washer	1.000	ST
15	7.312-030.0	Washer 3-CuZn-E2E ISO7089	2.000	ST



60 Float chest

POS	Article no.	Description	Quantity	Unit	Foot note text
9	7.306-754.0	Cylinder head screw M4 x 8-CuZn-E2E ISO	2.000	ST	
16	6.412-763.0	Float valve	1.000	ST	
13	7.304-517.0	Hexagonal head screw M8x35-A4-70 ISO 40	2.000	ST	
7	6.388-547.0	Hose clip	2.000	ST	
6	5.443-224.0	Hose stem	1.000	ZST	
3	5.443-345.0	Hose stem	1.000	ST	
4	5.310-062.0	Nut	1.000	ST	
5	6.362-078.0	O-Ring seal 13,3x2,4	1.000	ST	
12	5.442-624.0	Piece of tube	1.000	ST	
15	5.110-187.0	Sleeve	2.000	ST	
2	5.024-110.0	Stiffening profile	1.000	ST	
11	4.070-145.0	Tank	1.000	ST	
1	5.263-035.0	Tenterclamp	1.000	ST	
14	5.115-375.0	Washer	2.000	ST	
8	6.388-924.0	Water hose DN16	2.000	M	TO ORDER AS CUT GOODS



70 Electric control box

POS	Article no.	Description	Quantity	Unit	Foot note text
8	5.018-720.0	Angle	1.000	ST	
12	6.641-278.0	Cable gland PG7	1.000	ST	
17	6.622-130.0	Control transformer	1.000	ST	
22	6.642-028.0	Corrugated tube flexible 10	1.000	M	TO ORDER AS CUT GOODS
20	5.066-294.0	Cover	1.000	ST	
14	6.368-064.0	Drain plug	2.000	ST	
23	6.644-147.0	Fuse insert medium time-lag G-1,6A	1.000	ST	
2	5.321-131.0	Handhold	1.000	ST	
13	5.060-350.0	Housing	1.000	ST	
4	5.363-135.0	Joint ring	1.000	ST	
3	6.313-003.0	Locking spring	1.000	ST	
10	6.641-483.0	Locknut PG7	1.000	ST	
15	6.631-190.0	Motor protecting switch	1.000	ST	
1	5.132-010.0	Plug	1.000	ST	
9	6.632-334.0	Power contactor LC1 D32 B7	1.000	ST	
11	6.368-010.0	Protecting cap 14X1,5	3.000	ST	
18	6.339-091.0	Rubber buffer	1.000	ST	
7	5.379-008.0	Rubber ring	1.000	ST	
5	7.303-102.0	Screw 3,5x12 -A2-70-bk (In6Rd)	5.000	ST	
6	7.303-026.0	Screw 4x16 -A2-70 (In6Rd)	2.000	ST	
16	7.309-016.0	Screw M4x22-Z7-1 -4.8-A2E DIN6900	2.000	ST	
19	6.273-037.0	Seal string cellular rubber 3	2.000	M	TO ORDER AS CUT GOODS
21	7.312-001.0	Washer 4 -200HV-A3E ISO 7089	1.000	ST	