

Spare parts list

(1.150-601.0) HD 6/15 C *EU

Table of contents

HD 6/15 C *EU (1.150-601.0)	4
Spare parts list HD 6/15, HD 7/18 (5.970-347.0)	5
10 Housing	6
20 Pump set	8
21 Cylinder head	9
4 Valve (3 Stück) (2.884-916.0)	12
11 Drain plug only for replacement (4.132-007.0)	14
20 Valve pin complete (4.584-022.0)	16
21 Nozzle insert only for replacement (4.769-034.0)	18
24 Overflow valve (4.591-038.0)	20
31 Spindle complete (4.291-014.0)	22
100 PUMP SET HD 5/12 C (2.883-997.0)	24
20 Valve (3 Stück) (2.884-916.0)	26
100 Pump set HD 6/15 C (2.885-242.0)	28
10 Drain plug only for replacement (4.132-007.0)	30
20 Valve (3 Stück) (2.884-916.0)	32
21 Cylinder head	34
8 Valve (3 Stück) (2.884-916.0)	38
11 Drain plug only for replacement (4.132-007.0)	40
17 SPARE PARTS SET (2.883-988.0)	42
21 Valve pin complete (4.584-022.0)	44
23 Nozzle insert only for replacement (4.769-034.0)	46
23 Nozzle insert (4.769-035.0)	48
25 Spare part set (2.884-551.0)	50
26 Spare part set overflow valve (2.884-550.0)	51
30 Valve seat complete (4.481-226.0)	52
100 Pump set HD 7/18C (2.885-017.0)	54
1 Valve (3 Stück) (2.884-916.0)	55
7 Drain plug only for replacement (4.132-007.0)	57
22 Thrust guidance	59
30 Motor	62
40 Accessories	65
41 Hand trigger gun	66
1 HAND TRIGGER GUN EASY PRESS (4.775-463.0)	68
9002 Lever complete (4.481-209.0)	70
4 Lever complete (4.481-209.0)	72
42 Jet pipe	74
1 Jet pipe packaged only for replacement (4.760-663.0)	76

Table of contents

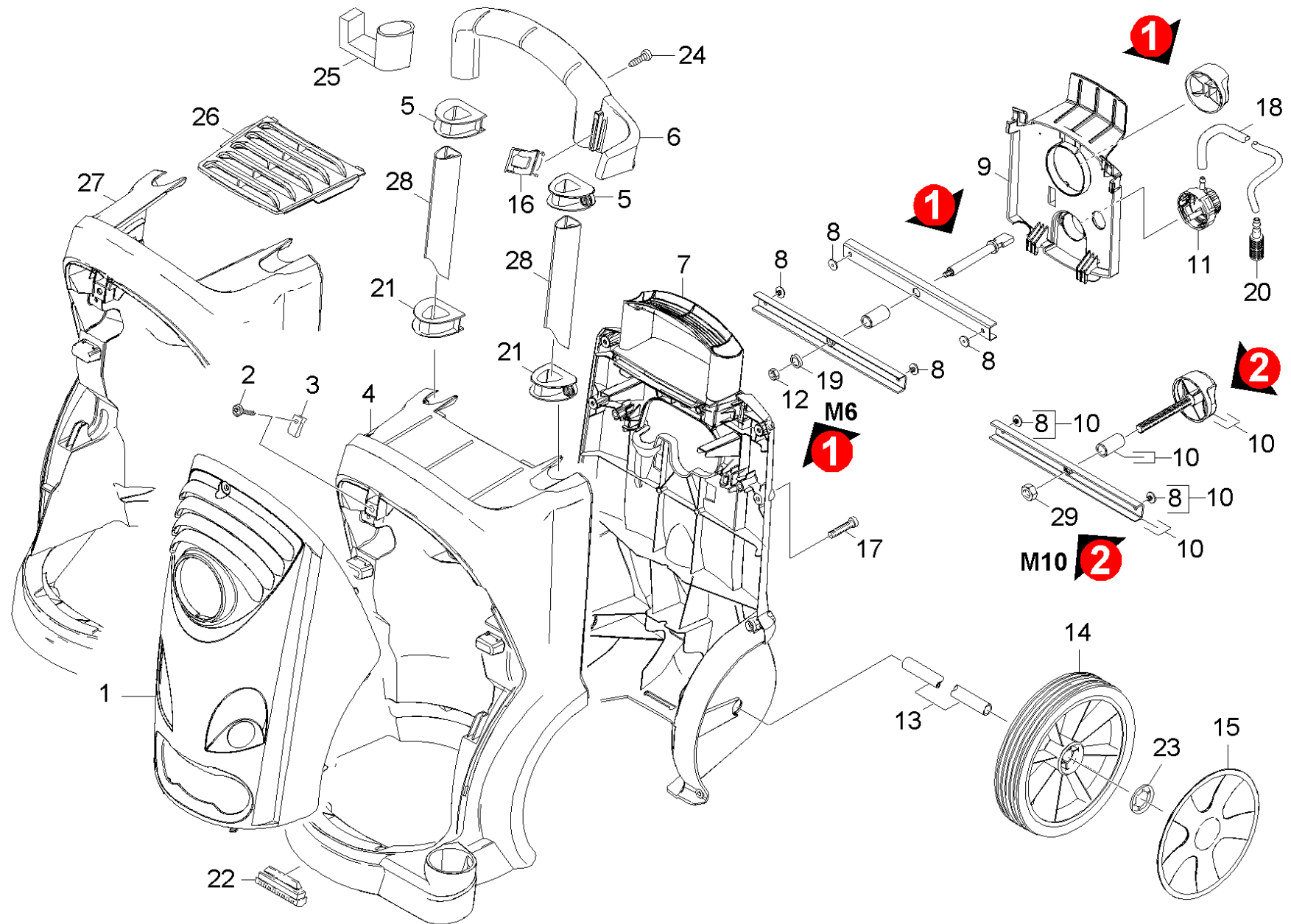
9 Power nozzle 25250 (2.884-521.0)	78
10 Screw union (4.402-022.0)	79
43 Nozzle	80
12 Dirt blaster 040 (4.767-023.0)	82
12 Dirt blaster packaged 03 (4.767-041.0)	83
44 Triple jet nozzle	84
Triple jet nozzle only for replacement 0 (4.767-144.0)	86
2 Spare parts list triple jet nozzle (5.970-837.0)	87
10 Triple jet nozzle plastics	88
20 Triple jet nozzle brass	90
Triple jet nozzle replacement 034 (4.767-147.0)	92
2 Spare parts list triple jet nozzle (5.970-837.0)	93
10 Triple jet nozzle plastics	94
20 Triple jet nozzle brass	96
Triple jet nozzle replacement 036 (4.767-148.0)	98
2 Spare parts list triple jet nozzle (5.970-837.0)	99
10 Triple jet nozzle plastics	100
20 Triple jet nozzle brass	102
Triple jet nozzle only for replacement 0 (4.767-150.0)	104
1 Triple jet nozzle 040 (4.767-136.0)	105
Triple jet nozzle only for replacement 0 (4.767-152.0)	107
Triple jet nozzle only for replacement 0 (4.767-153.0)	109
2 Spare parts list triple jet nozzle (5.970-837.0)	110
10 Triple jet nozzle plastics	111
20 Triple jet nozzle brass	113
50 Electric box	115

HD 6/15 C *EU (1.150-601.0)

POS	Article no.	Description	Quantity	Unit
0	5.970-347.0	Spare parts list HD 6/15, HD 7/18	1	PC

Spare parts list HD 6/15, HD 7/18 (5.970-347.0)

POS	Description	Quantity	Unit
10	Housing	1	PC
20	Pump set	1	PC
30	Motor	1	PC
40	Accessories	1	PC
50	Electric box	1	PC

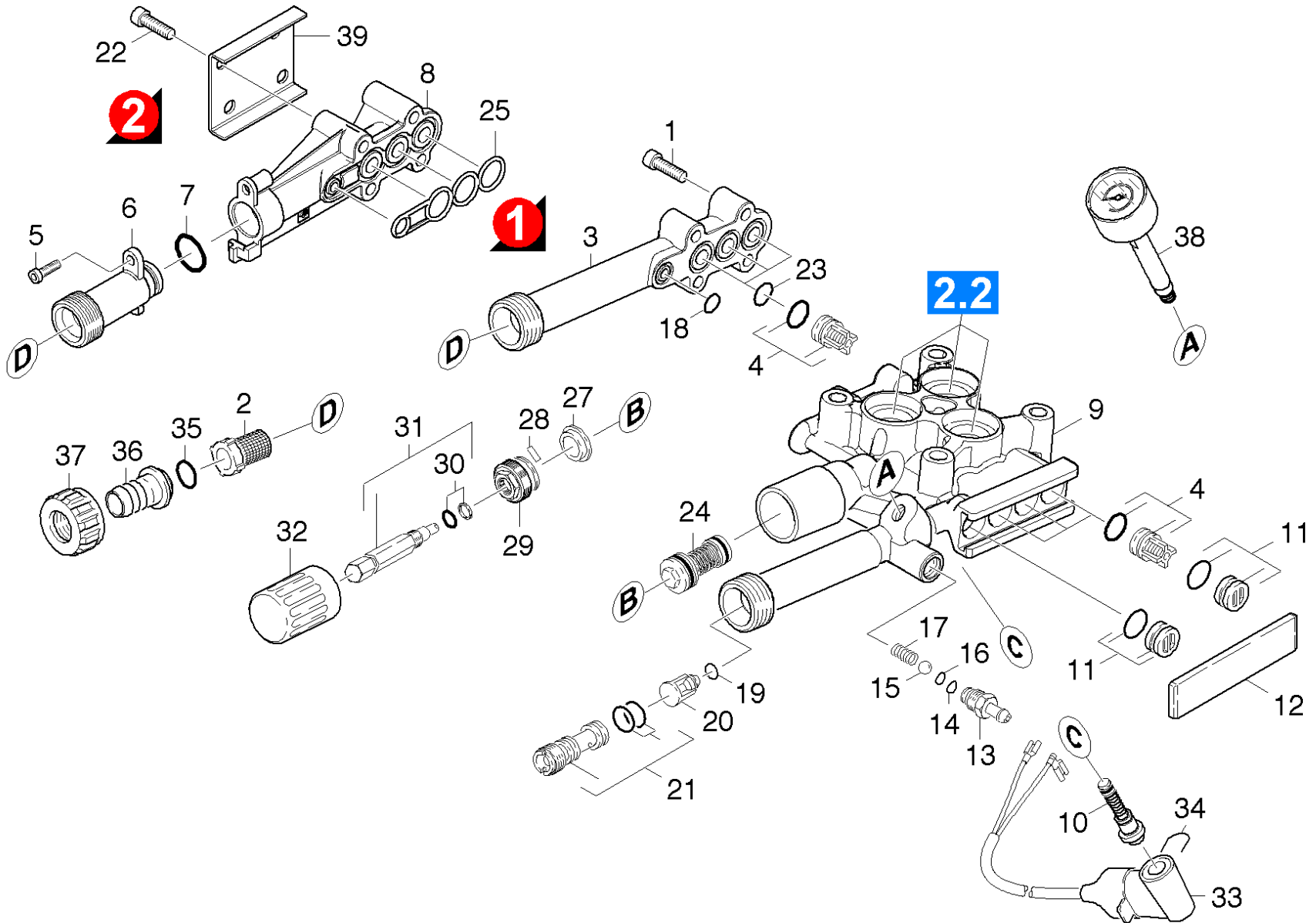


10 Housing

POS	Article no.	Description	Quantity	Unit	Remark	Foot note text
1	5.069-121.0	Device cover	1	PC		
2	6.304-099.0	Saucer-head screw M 6x 18-4.8-R2R	1	PC		
3	6.310-053.0	Putting nut	1	PC		
4	5.050-206.3	Frame front part	1	PC		
5	5.032-554.0	Guide	2	PC		
6	5.321-721.0	Hand grip	1	PC		
7	5.050-207.3	Frame rear panel for replacement	1	PC		
8	6.315-086.0	Rivet	4	PC		
9	5.032-556.0	Covering cap	1	PC		
10	2.885-007.0	Spare part set Griff	1	PC		
11	4.063-778.0	Proportioning valve chemistry	1	PC		
12	7.311-061.0	Hexagon nut M6-LH -8-A2E ISO 4032	1	PC	(M6)	
13	5.105-399.0	Axle	1	PC		
14	6.435-662.0	Wheel D200	2	PC		
15	4.515-103.0	Spare parts set wheel cap	1	PC		SET OF 2 PIECES
16	5.044-216.0	Holder	1	PC		
17	7.303-108.0	Screw 5x20 -10.9-R2R (In6Rd)	10	PC		
18	6.388-216.0	Hose DN 5	1	m		TO ORDER AS CUT GOODS
19	7.312-260.0	Washer 6 -100HV-A3E ISO 7094	1	PC		
20	5.731-652.0	Filter with weight	1	PC		
21	5.032-555.0	Guide	2	PC		
22	5.057-062.0	Support	2	PC		
23	6.343-168.0	Lock washer	2	PC		
24	7.303-046.0	Screw M6x12 -St-R3R (In6Rd)	2	PC		
25	5.037-170.0	Hook	1	PC		
26	5.064-217.0	Cover air inlet	1	PC		
27	5.050-286.0	Frame front part	1	PC		
28	5.107-248.0	Bar shearing shackle	2	PC		
29	7.311-088.0	Hexagon nut M10-8-A2K EN 1664	1	PC	(M10)	

20 Pump set

POS	Description	Quantity	Unit	Remark
21	Cylinder head	1	PC	HD 5/17 C / HD 6/15 C
21	Cylinder head	1	PC	HD 7/15 C / HD 7/16 C / HD 7/18 C
22	Thrust guidance	1	PC	

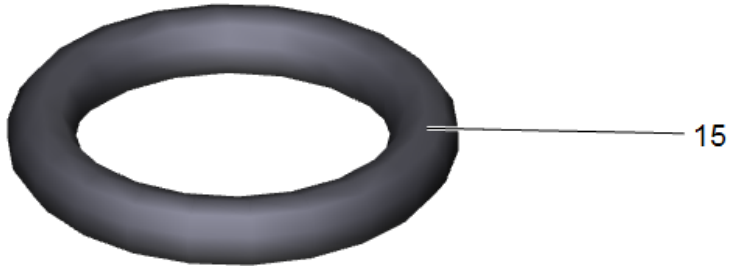
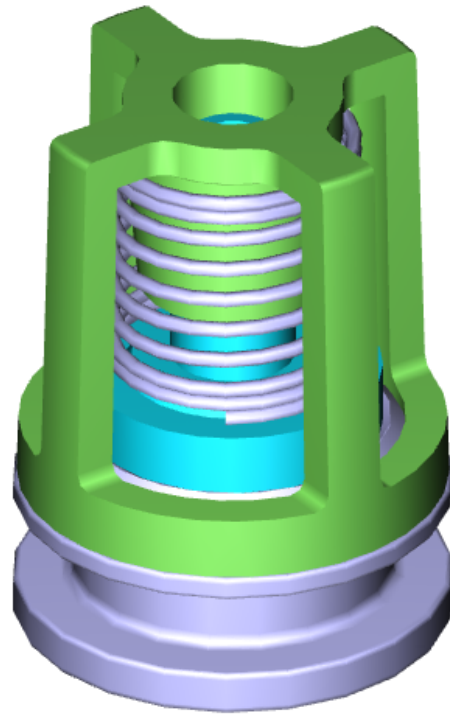


21 Cylinder head

POS	Article no.	Description	Quantity	Unit	Foot note text
1	7.306-105.0	Screw M6x30 -8.8-R3R (In6Rd)	4	PC	
2	6.414-252.0	Strainer	1	PC	
3	5.064-150.0	Suction cover	1	PC	
4	2.884-916.0	Valve (3 Stück)	2	PC	
5	7.303-108.0	Screw 5x20 -10.9-R2R (In6Rd)	1	PC	
6	5.402-727.0	Suction nipple	1	PC	
7	6.362-481.0	O-Ring seal 14,0 x 2,0 NBR 80	1	PC	
8	5.064-230.0	Suction cover	1	PC	
9	5.550-320.3	Cylinder head	1	PC	
	Item text1: 1.150-601.0/-602.0/-603.0/-604.0/-606.0/-607.0/-612.0/-619.0 1.214-120.0 / -122.0 /-123.0 /				
9	5.550-324.3	Cylinder head	1	PC	
	Item text1: 1.150-615.0 /-608.0 /-609.0 /-613.0 /				
	Item text2: 1.214-121.0				
10	2.884-501.0	Spare part set control piston	1	PC	
11	4.132-007.0	Drain plug only for replacement	4	PC	
12	5.003-062.0	Plate	1	PC	
13	5.443-624.0	Nipple	1	PC	
14	6.362-113.0	O-Ring seal 6,0 x 2,0 NBR 70	1	PC	
15	7.401-908.0	Sphere 7 G300 -1.4301 DIN 5401	1	PC	
16	6.363-597.0	O-Ring seal 5,28 x 1,78	1	PC	
17	5.332-258.0	Helical spring	1	PC	
18	6.362-384.0	O-Ring seal 9x1,5 - NBR 70	1	PC	
19	6.363-613.0	O-Ring seal 4 x 2 -NBR90	1	PC	
20	4.584-022.0	Valve pin complete	1	PC	
21	4.769-034.0	Nozzle insert only for replacement	1	PC	
22	7.306-129.0	Screw M6x40 -8.8-P2R (In6Rd)	4	PC	
23	6.362-533.0	O-Ring seal 14,0 X 1,5-NBR 70	3	PC	
24	4.591-038.0	Overflow valve	1	PC	
25	5.365-284.0	Profile gasket	1	PC	
27	5.110-630.0	Sleeve	1	PC	
28	7.314-629.0	Grooved pin 2x10 -A1 ISO 8742	1	PC	
29	5.583-147.0	Valve screw	1	PC	
30	6.362-468.0	O-Ring seal complete 1ST.-R.	1	PC	

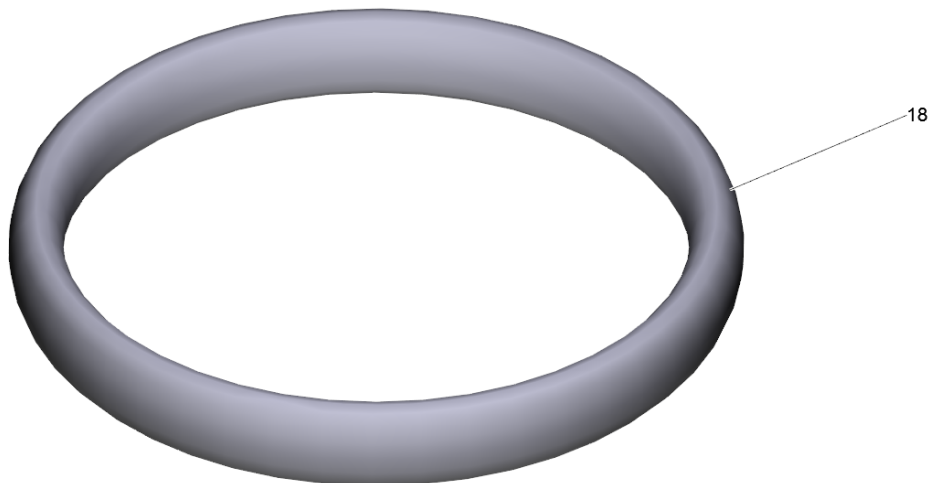
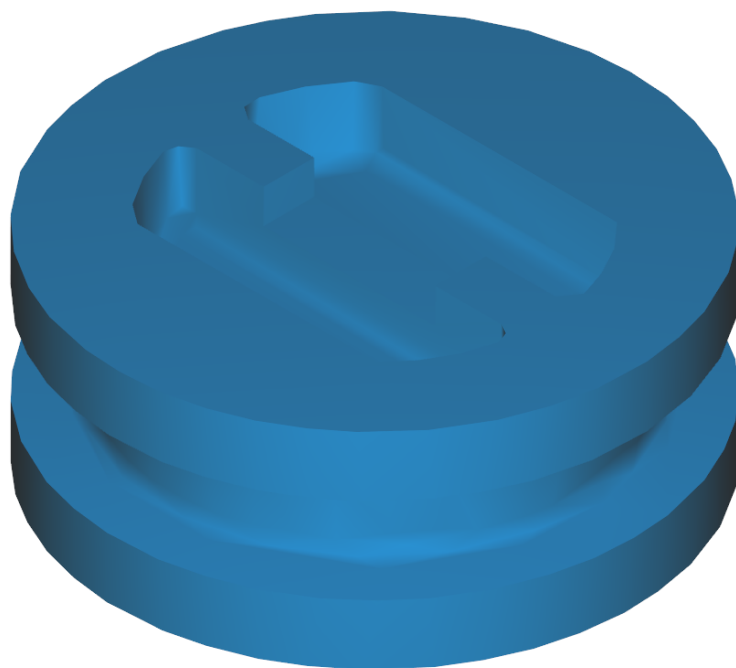
21 Cylinder head

POS	Article no.	Description	Quantity	Unit	Foot note text
31	4.291-014.0	Spindle complete	1	PC	
32	5.321-307.0	Handhold	1	PC	
33	4.744-242.0	Switch kpl. -nur für Ersatz-	1	PC	
	Item text1: 1.150-612.0				
33	4.744-168.0	Switch complete	1	PC	
	Item text1: 1.150-601.0/-602.0/-603.0/-604.0/-606.0/-607.0/-608.0/ -613.0/-619.0/-622.0/ 1.214-120.0/-122.0/-123.0				
33	4.744-193.0	Switch complete	1	PC	
	Item text1: 1.150-609.0 / -615.0 / 1.214-121.0 /				
34	5.034-494.0	Retaining bracket	1	PC	
35	6.362-078.0	O-Ring seal 13,3x2,4	1	PC	
36	5.443-229.0	Hose stem	1	PC	
37	5.310-065.0	Nut	1	PC	
38	6.421-349.3	Pressure gauge 0-30 MPa	1	PC	
39	5.005-314.0	Plate suction cover	1	PC	
100	2.883-997.0	PUMP SET HD 5/12 C	1	PC	
	Item text1: 1.150-601.0 /-602.0 /-603.0 /-604.0 /-606.0 /-607.0 /-608.0 /-609.0 /-612.0 /-613.0 /-615.0 /-619.0 /-622.0 / 1.214-120.0 /-121.0 / -122.0 / -123.0				
100	2.885-242.0	Pump set HD 6/15 C	1	PC	FOR PISTON CERAMIC COATED
	Item text1: 1.150-601.0 /-602.0 /-603.0 /-608.0 /				
	Item text2: -609.0 /-613.0 /-619.0				



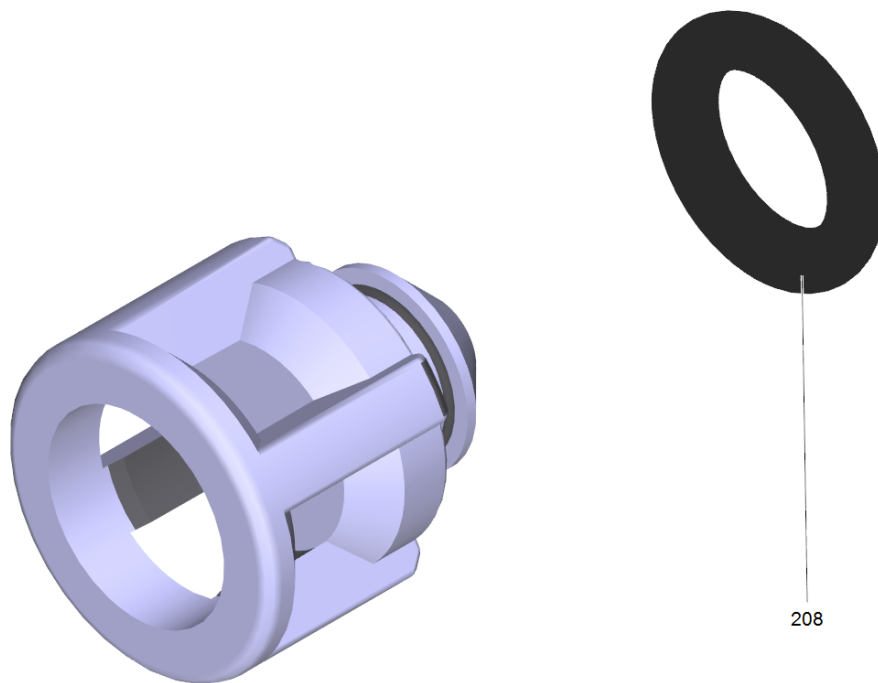
4 Valve (3 Stück) (2.884-916.0)

POS	Article no.	Description	Quantity	Unit
15	6.362-077.0	O-Ring seal 10 x 2,2 NBR 70	1	PC



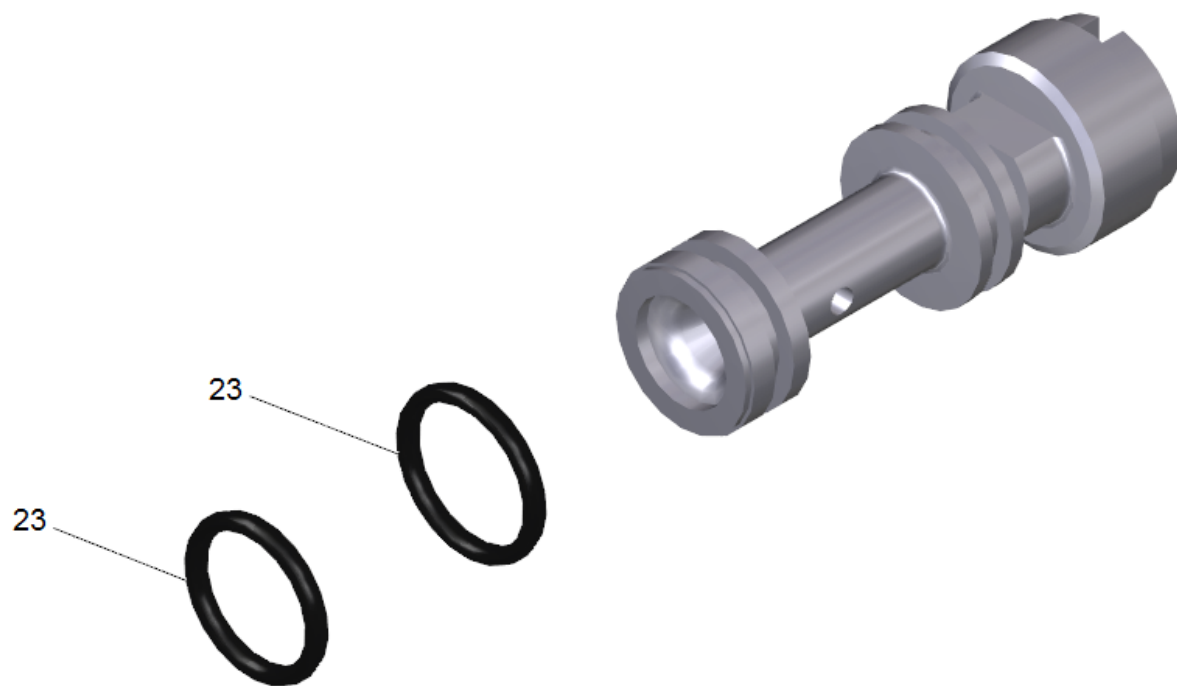
11 Drain plug only for replacement (4.132-007.0)

POS	Article no.	Description	Quantity	Unit
18	6.362-458.0	O-Ring seal 11,0x2,0-NBR 70	1	PC



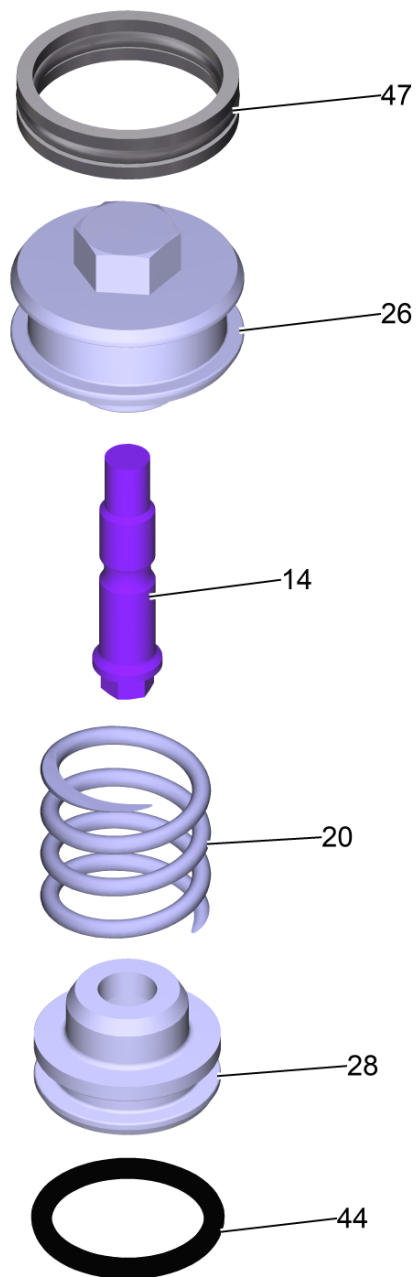
20 Valve pin complete (4.584-022.0)

POS	Article no.	Description	Quantity	Unit
208	6.363-613.0	O-Ring seal 4 x 2 -NBR90	1	PC



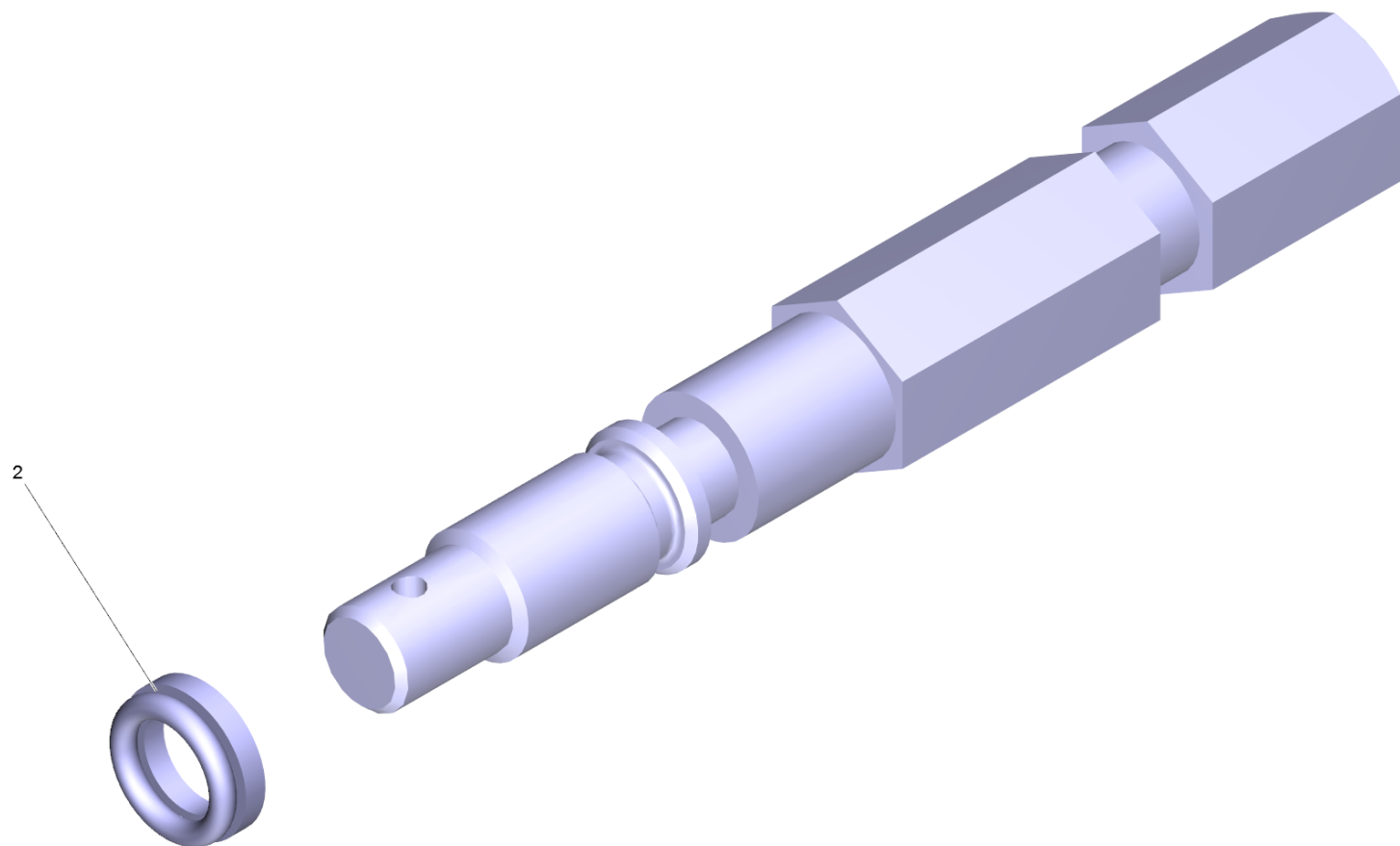
21 Nozzle insert only for replacement (4.769-034.0)

POS	Article no.	Description	Quantity	Unit
23	6.362-384.0	O-Ring seal 9x1,5 - NBR 70	2	PC



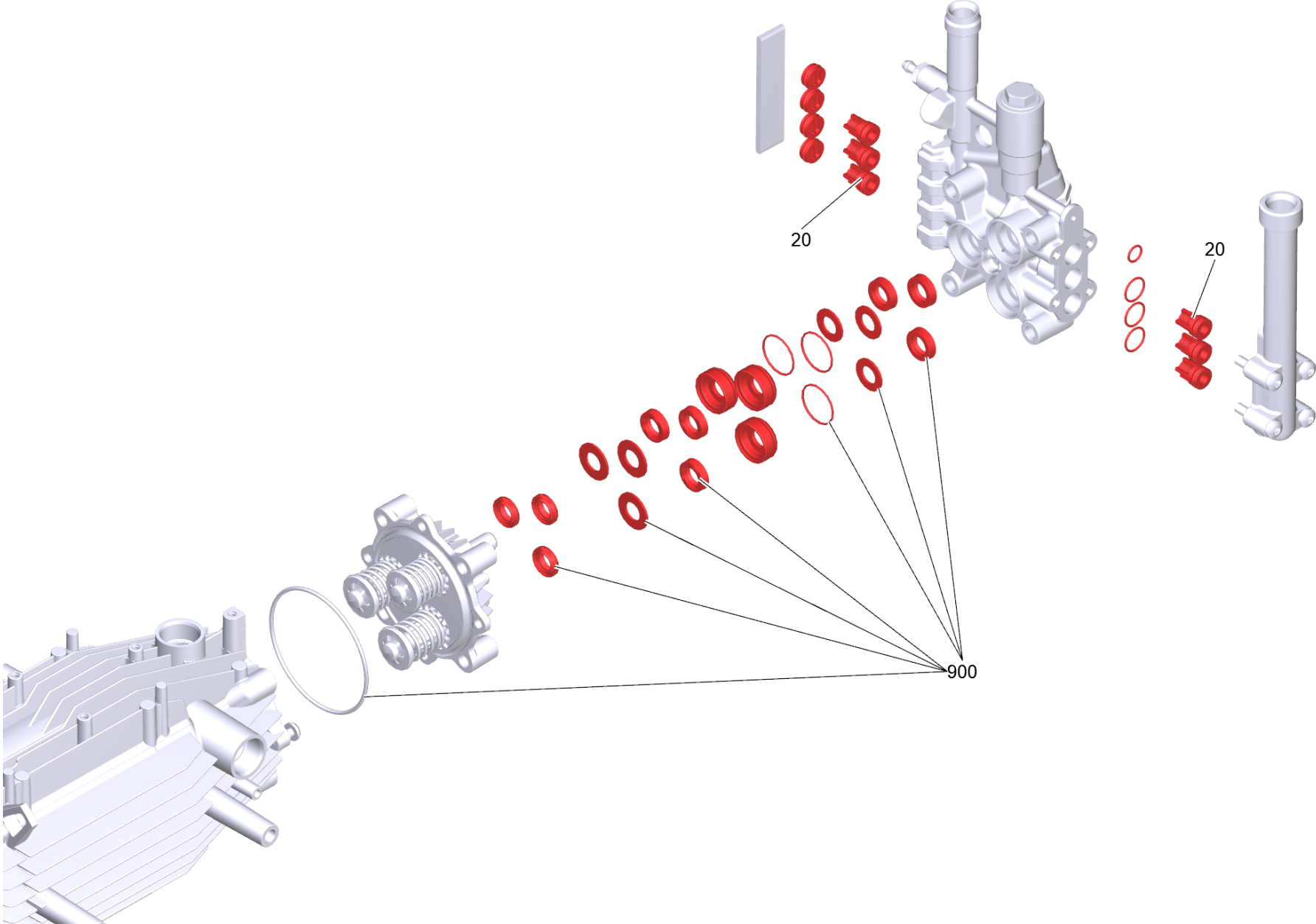
24 Overflow valve (4.591-038.0)

POS	Article no.	Description	Quantity	Unit
14	5.305-264.0	Shaped screw	1	PC
20	5.332-425.0	Helical spring	1	PC
26	5.553-390.0	Piston	1	PC
28	5.581-230.0	Valve seat	1	PC
44	6.362-169.0	O-Ring seal 12,0 X 2,0	1	PC
47	6.362-454.0	O-Ring seal complete 2ST.-R.	1	PC



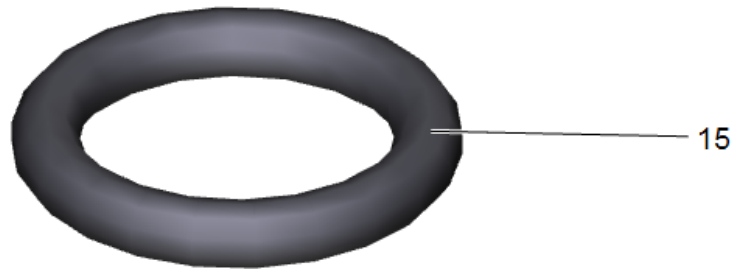
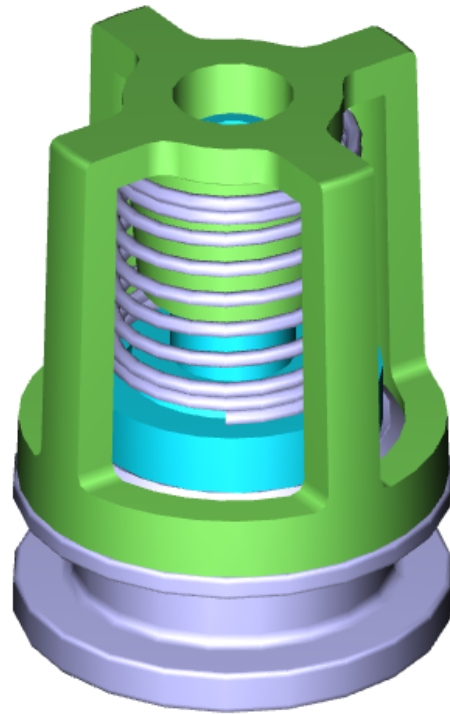
31 Spindle complete (4.291-014.0)

POS	Article no.	Description	Quantity	Unit
2	6.362-468.0	O-Ring seal complete 1ST.-R.	1	PC



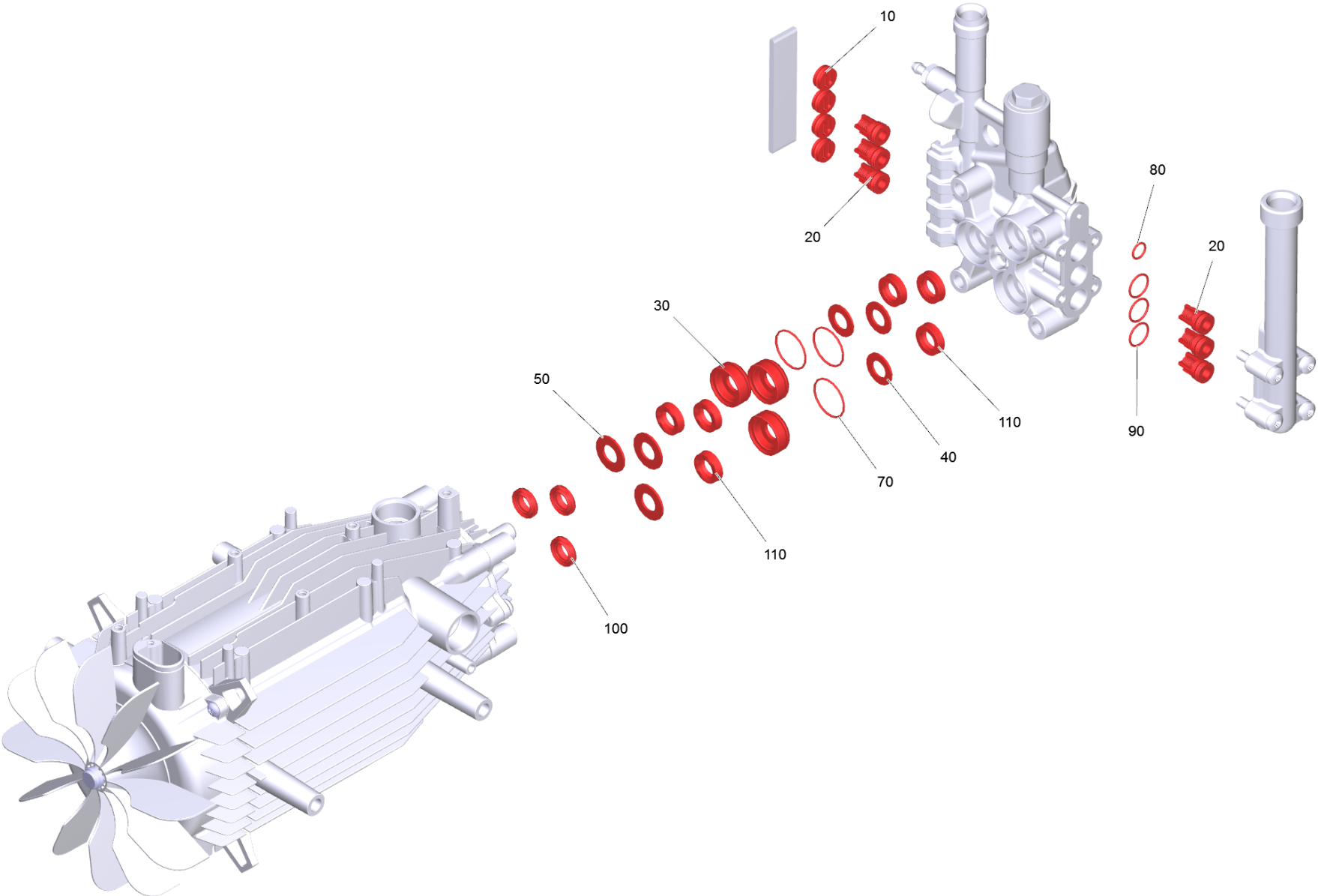
100 PUMP SET HD 5/12 C (2.883-997.0)

POS	Article no.	Description	Quantity	Unit
20	2.884-916.0	Valve (3 Stück)	2	PC
60	6.288-072.0	Silicon grease	1	PC
900	4.100-773.0	Set of gaskets	1	PC



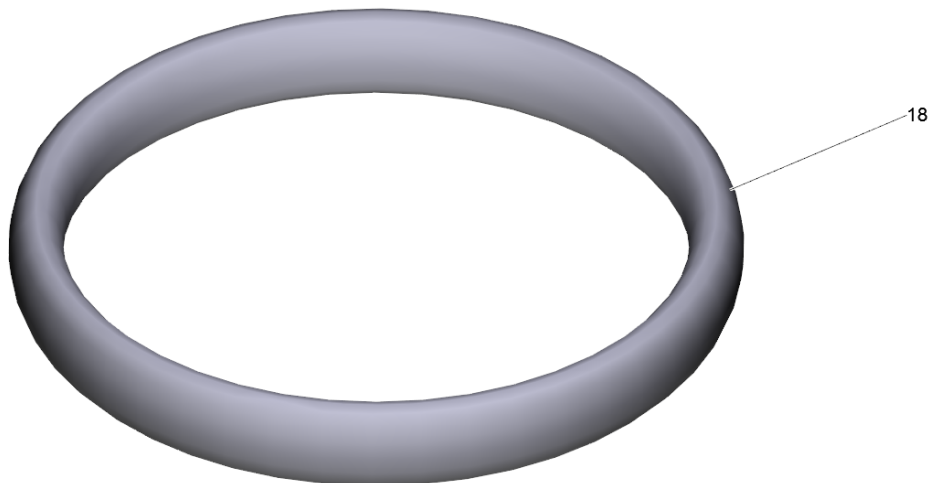
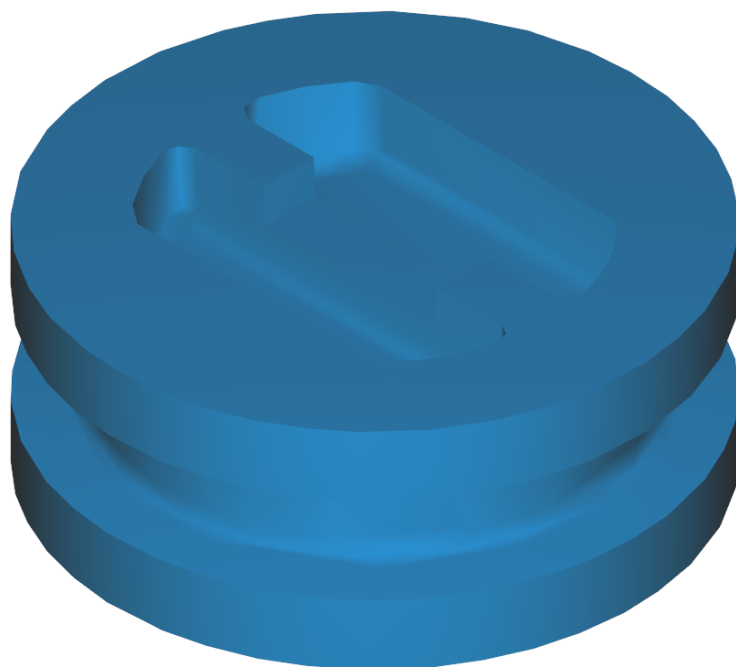
20 Valve (3 Stück) (2.884-916.0)

POS	Article no.	Description	Quantity	Unit
15	6.362-077.0	O-Ring seal 10 x 2,2 NBR 70	1	PC



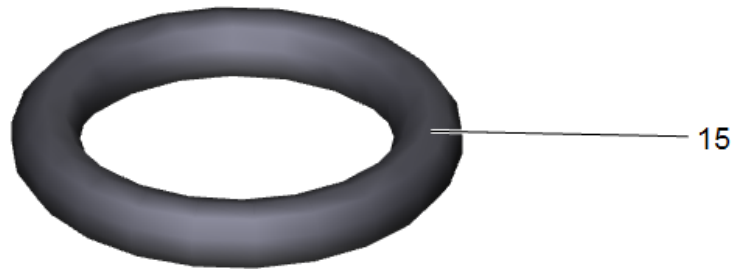
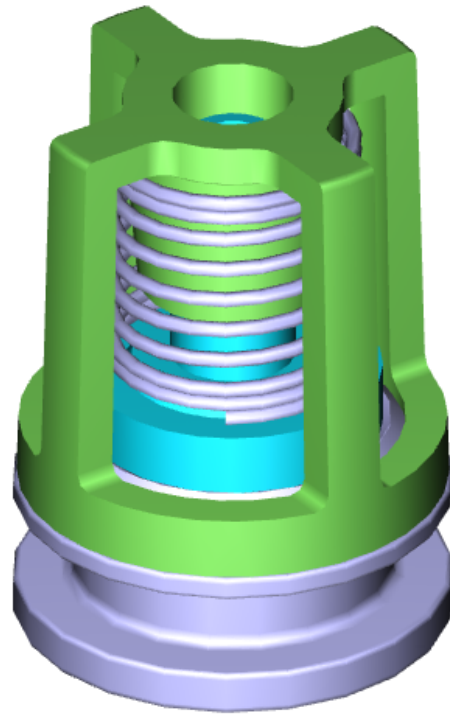
100 Pump set HD 6/15 C (2.885-242.0)

POS	Article no.	Description	Quantity	Unit
10	4.132-007.0	Drain plug only for replacement	4	PC
20	2.884-916.0	Valve (3 Stück)	2	PC
30	5.112-726.0	Bush	3	PC
40	5.115-721.0	Washer	3	PC
50	5.116-093.0	Washer	3	PC
60	6.288-072.0	Silicon grease	1	PC
70	6.362-376.0	O-Ring seal 24,0 X 1,5	3	PC
80	6.362-384.0	O-Ring seal 9x1,5 - NBR 70	1	PC
90	6.362-533.0	O-Ring seal 14,0 X 1,5-NBR 70	3	PC
100	6.365-393.0	Oil sealing 12x20x4/6	3	PC
110	6.365-563.0	Grooved ring	6	PC



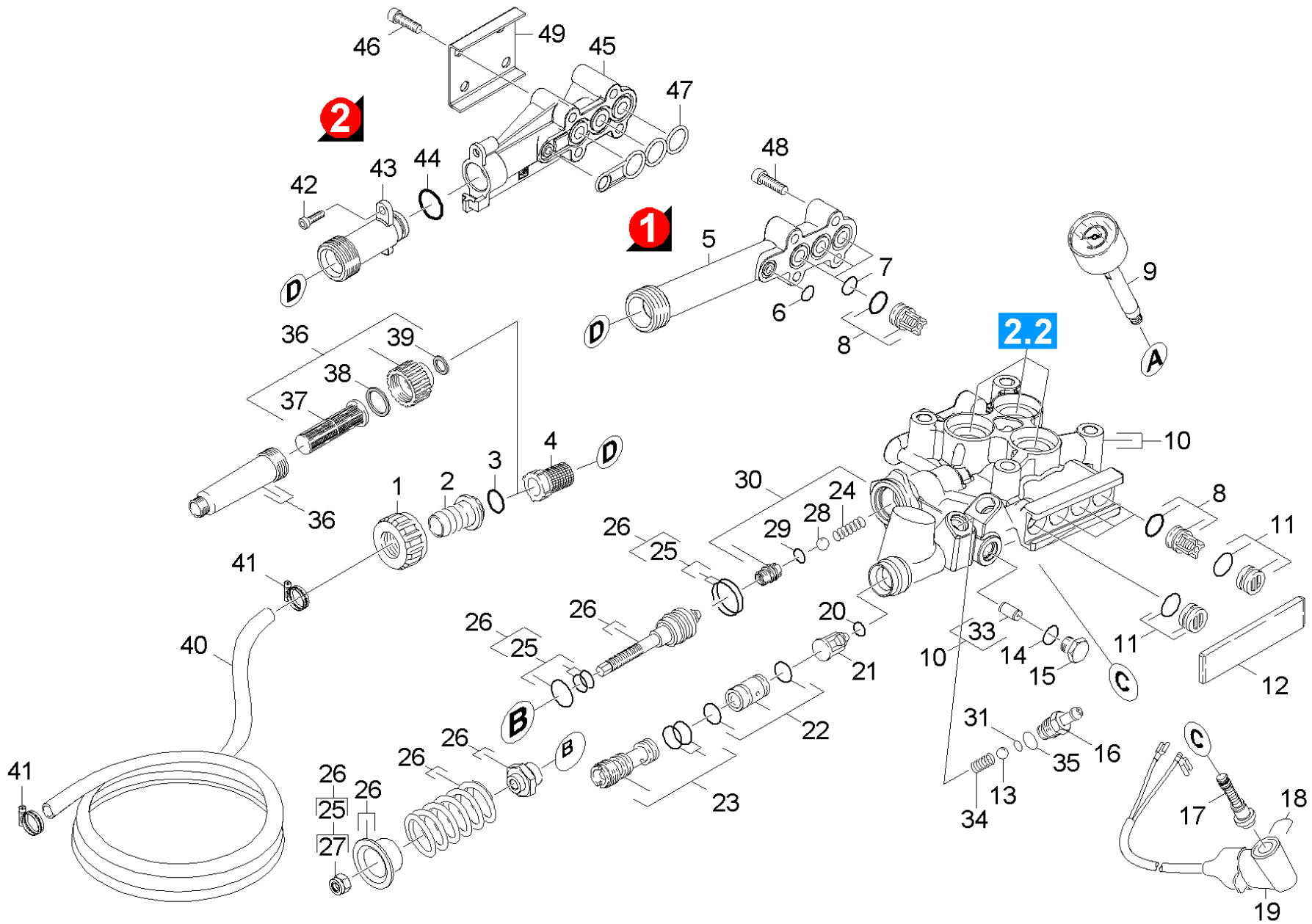
10 Drain plug only for replacement (4.132-007.0)

POS	Article no.	Description	Quantity	Unit
18	6.362-458.0	O-Ring seal 11,0x2,0-NBR 70	1	PC



20 Valve (3 Stück) (2.884-916.0)

POS	Article no.	Description	Quantity	Unit
15	6.362-077.0	O-Ring seal 10 x 2,2 NBR 70	1	PC



21 Cylinder head

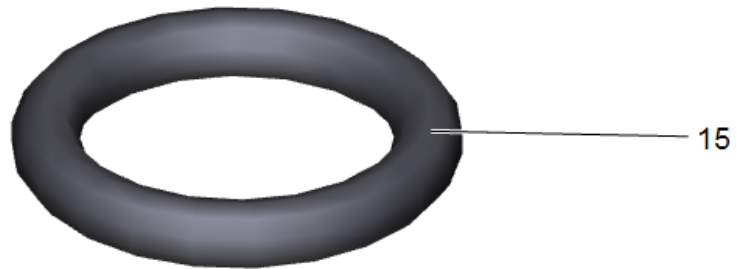
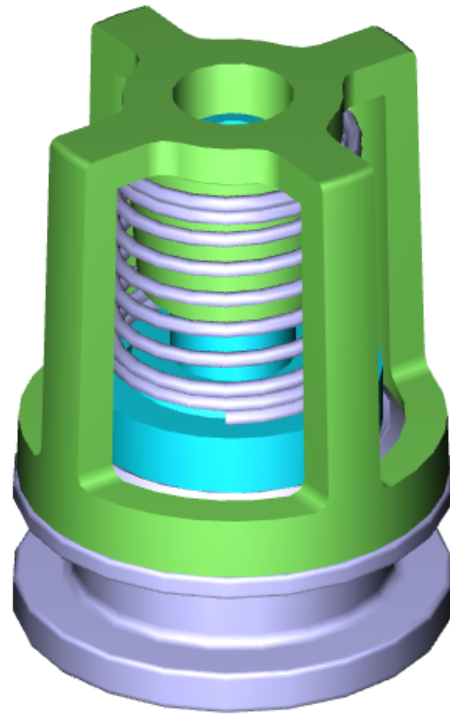
POS	Article no.	Description	Quantity	Unit
1	5.310-065.0	Nut Item text1: 1.151-601.0 /-602.0 /-603.0 /-604.0 / Item text2: -607.0 /-608.0 /-612.0 /	1	PC
1	5.311-071.0	Nut Item text1: 1.151-605.0 / -606.0	1	PC
2	5.443-229.0	Hose stem Item text1: 1.151-601.0 /-602.0 /-603.0 /-604.0 / Item text2: -607.0 /-608.0 /-612.0 /	1	PC
2	5.443-282.0	Hose stem Item text1: 1.151-605.0 / -606.0	1	PC
3	6.362-078.0	O-Ring seal 13,3x2,4 Item text1: 1.151-601.0 /-602.0 /-603.0 /-604.0 / Item text2: -607.0 /-608.0 /-612.0 /	1	PC
3	6.362-395.0	O-Ring seal 14,0 X 1,78-NBR 70 Item text1: 1.151-605.0 / -606.0	1	PC
4	6.414-252.0	Strainer	1	PC
5	5.064-150.0	Suction cover	1	PC
6	6.362-384.0	O-Ring seal 9x1,5 - NBR 70	1	PC
7	6.362-533.0	O-Ring seal 14,0 X 1,5-NBR 70	3	PC
8	2.884-916.0	Valve (3 Stück)	2	PC
9	6.421-349.3	Pressure gauge 0-30 MPa	1	PC
10	4.551-039.0	Cylinder head only for replacement Item text1: 1.151-607.0 / -608.0	1	PC
10	4.550-836.0	Cylinder head only for replacement Item text1: 1.151-601.0 /-602.0 /-603.0 /-604.0 Item text2: /-605.0 /-606.0 /-612.0	1	PC
11	4.132-007.0	Drain plug only for replacement	4	PC
12	5.003-062.0	Plate	1	PC
13	7.401-908.0	Sphere 7 G300 -1.4301 DIN 5401	1	PC
14	6.362-642.0	O-Ring d. 7,65x1,78 -NBR 80	1	PC
15	5.411-070.0	Screw plug	1	PC
16	5.443-624.0	Nipple	1	PC
17	2.883-988.0	SPARE PARTS SET	1	PC

21 Cylinder head

POS	Article no.	Description	Quantity	Unit
18	5.034-494.0	Retaining bracket	1	PC
19	4.744-201.0	Switch complete	1	PC
20	6.363-613.0	O-Ring seal 4 x 2 -NBR90	1	PC
21	4.584-022.0	Valve pin complete	1	PC
22	2.884-853.0	Spare part set nozzle insert	1	PC
23	4.769-035.0	Nozzle insert	1	PC
	Item text1: 1.151-605.0 / -606.0			
23	4.769-034.0	Nozzle insert only for replacement	1	PC
24	5.332-999.0	Helical spring	1	PC
25	2.884-551.0	Spare part set	1	PC
26	2.884-550.0	Spare part set overflow valve	1	PC
27	7.311-510.0	Hexagon nut M 8-8-A2E ISO 7040	1	PC
28	7.401-907.0	Sphere 3/8 G200-1.4301 DIN 5401	1	PC
29	6.362-858.0	O-Ring seal 11,0 X 1,5	1	PC
30	4.481-226.0	Valve seat complete	1	PC
31	6.363-597.0	O-Ring seal 5,28 x 1,78	1	PC
33	5.111-046.0	Sleeve cylinder head	1	PC
	Item text1: 1.151-601.0 /-602.0 /-603.0 /-604.0 /			
	Item text2: -607.0 /-608.0 /-612.0			
34	5.332-258.0	Helical spring	1	PC
35	6.362-113.0	O-Ring seal 6,0 x 2,0 NBR 70	1	PC
36	4.730-127.0	Water filter	1	PC
	Item text1: 1.151-607.0 / -608.0			
37	5.731-587.0	Water filter	1	PC
	Item text1: 1.151-607.0 / -608.0			
38	5.363-336.0	Seal	1	PC
	Item text1: 1.151-607.0 / -608.0			
39	5.363-545.0	Seal	1	PC
	Item text1: 1.151-607.0 / -608.0			
40	6.390-492.0	Hose intake DN19	1	PC
	Item text1: 1.151-605.0 / -606.0			
41	6.388-548.0	Hose clip	2	PC
	Item text1: 1.151-605.0 / -606.0			

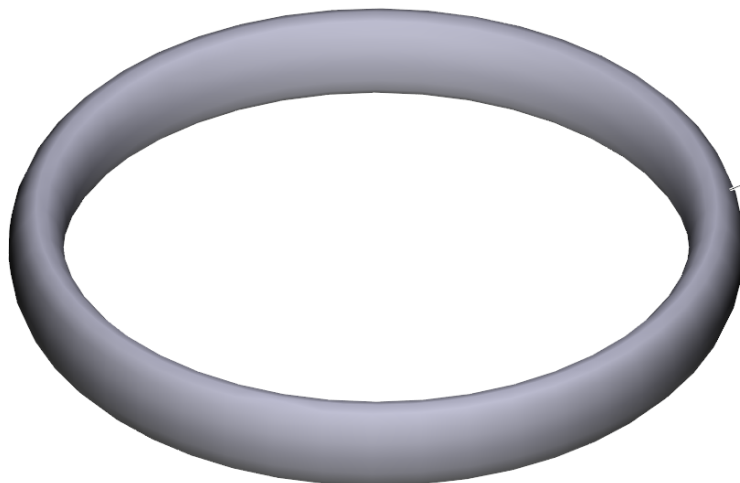
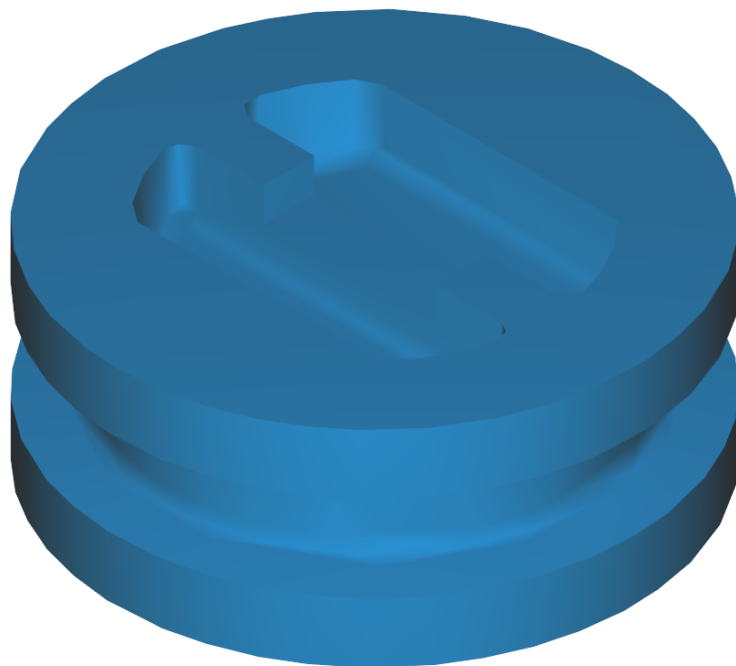
21 Cylinder head

POS	Article no.	Description	Quantity	Unit
42	7.303-108.0	Screw 5x20 -10.9-R2R (In6Rd)	1	PC
43	5.402-727.0	Suction nipple	1	PC
44	6.362-481.0	O-Ring seal 14,0 x 2,0 NBR 80	1	PC
45	5.064-230.0	Suction cover	1	PC
46	7.306-129.0	Screw M6x40 -8.8-P2R (In6Rd)	4	PC
47	5.365-284.0	Profile gasket	1	PC
48	7.306-105.0	Screw M6x30 -8.8-R3R (In6Rd)	4	PC
48	7.306-105.0	Screw M6x30 -8.8-R3R (In6Rd)	4	PC
49	5.005-314.0	Plate suction cover	1	PC
100	2.885-017.0	Pump set HD 7/18C	1	PC
	Item text1: 1.151-601.0/-602.0/-603.0 /-604.0			
	Item text2: /-612.0			



8 Valve (3 Stück) (2.884-916.0)

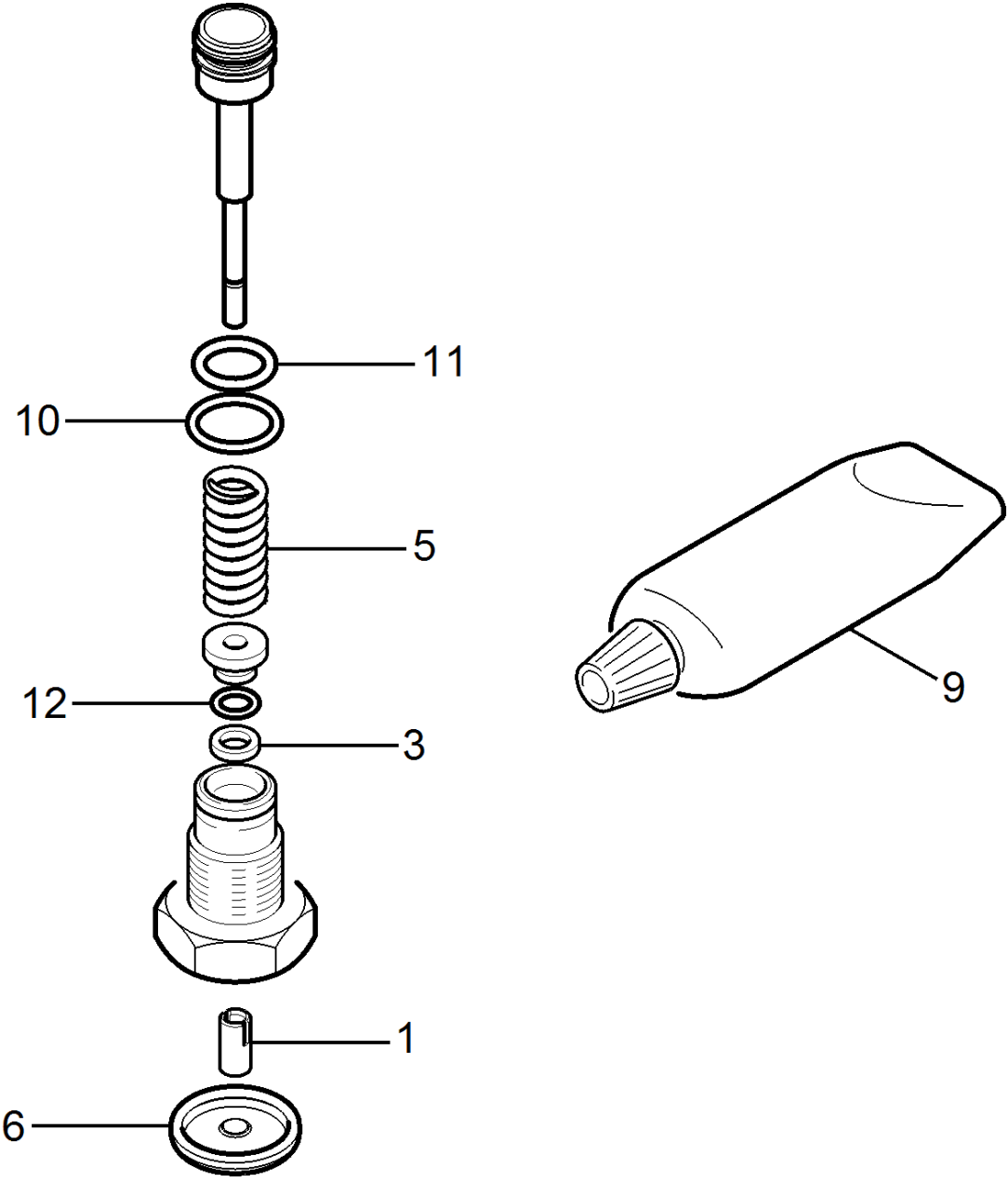
POS	Article no.	Description	Quantity	Unit
15	6.362-077.0	O-Ring seal 10 x 2,2 NBR 70	1	PC



18

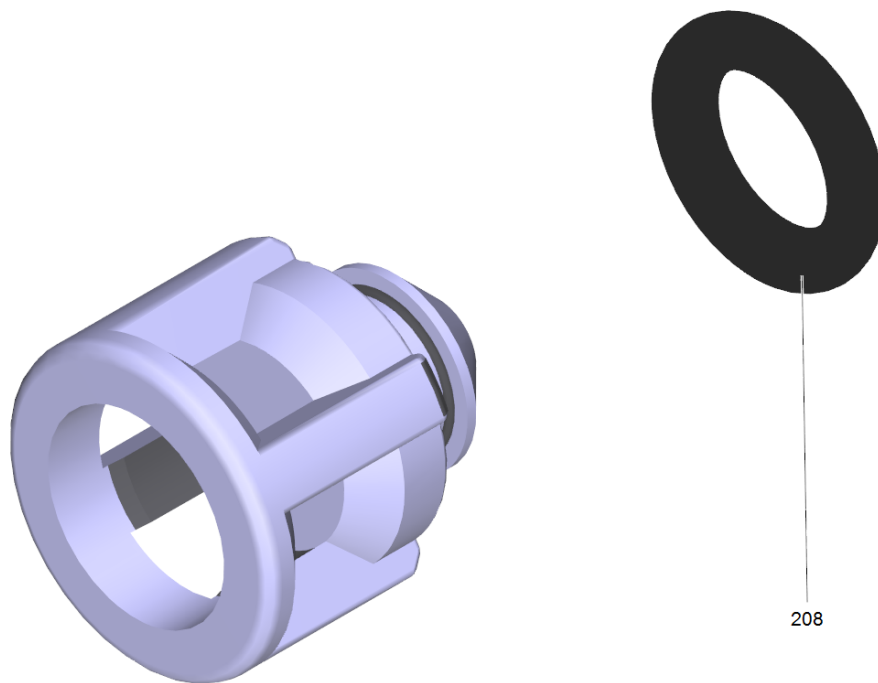
11 Drain plug only for replacement (4.132-007.0)

POS	Article no.	Description	Quantity	Unit
18	6.362-458.0	O-Ring seal 11,0x2,0-NBR 70	1	PC



17 SPARE PARTS SET (2.883-988.0)

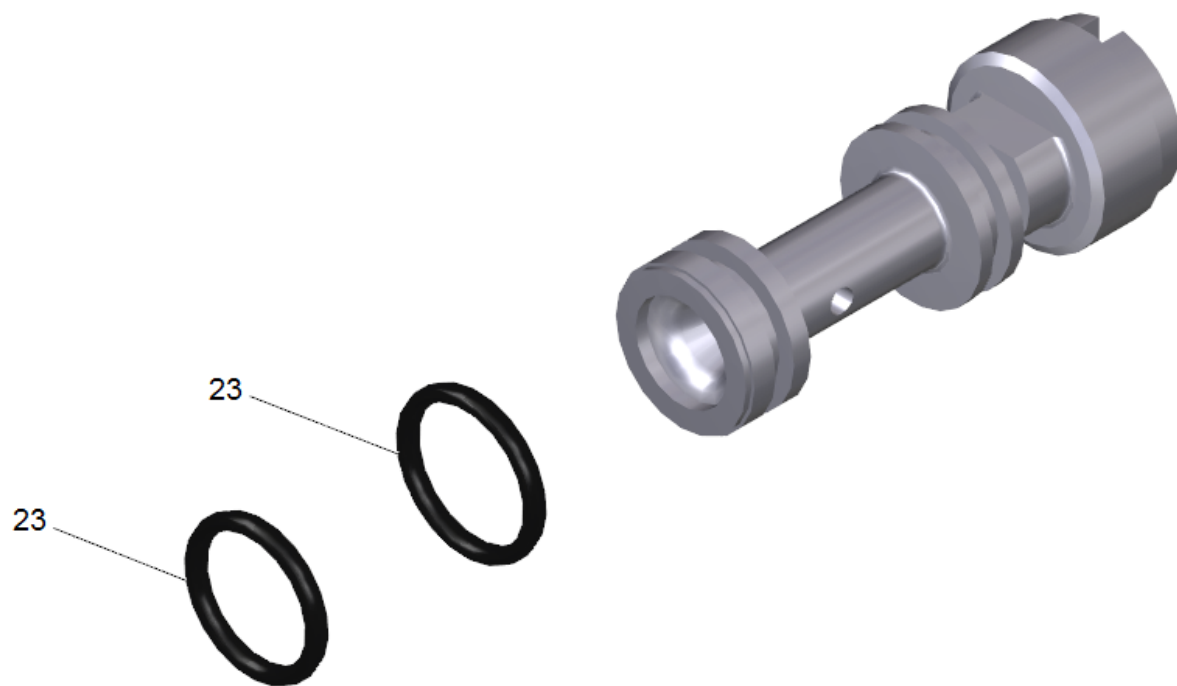
POS	Article no.	Description	Quantity	Unit
1	5.110-947.0	Sleeve	1	PC
3	5.114-513.0	Supportring	1	PC
5	5.332-511.0	Helical spring	1	PC
6	5.367-030.0	Diaphragm	1	PC
9	6.288-044.0	Silicon grease 100 G	1	PC
10	6.363-615.0	O-Ring seal 11 x 1,5 -NBR70	1	PC
11	6.363-611.0	O-Ring seal 8,73 x 1,78 -NBR	1	PC
12	6.363-241.0	O-Ring seal 2,90x1,78	1	PC



208

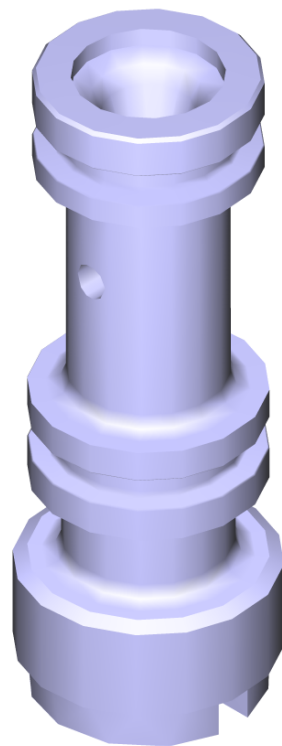
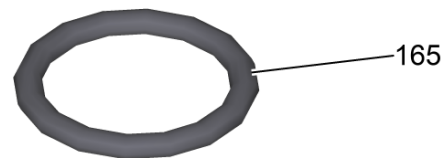
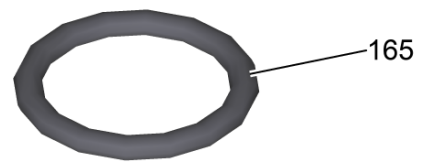
21 Valve pin complete (4.584-022.0)

POS	Article no.	Description	Quantity	Unit
208	6.363-613.0	O-Ring seal 4 x 2 -NBR90	1	PC



23 Nozzle insert only for replacement (4.769-034.0)

POS	Article no.	Description	Quantity	Unit
23	6.362-384.0	O-Ring seal 9x1,5 - NBR 70	2	PC



23 Nozzle insert (4.769-035.0)

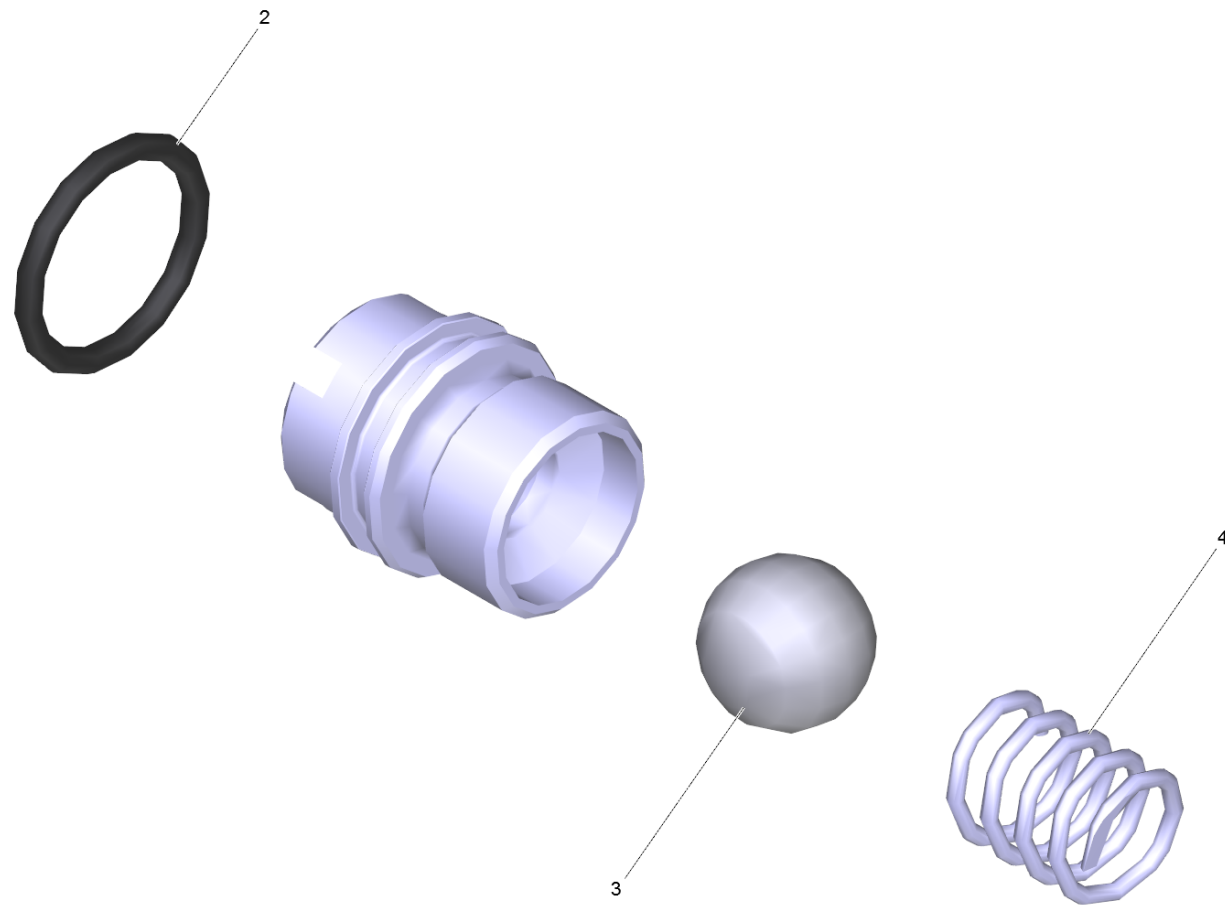
POS	Article no.	Description	Quantity	Unit
165	6.362-384.0	O-Ring seal 9x1,5 - NBR 70	2	PC

25 Spare part set (2.884-551.0)

POS	Article no.	Description	Quantity	Unit
44	6.362-365.0	O-Ring seal complete 1ST.-R.- 7,65X 1,7	1	PC
46	6.362-445.0	O-Ring seal 16,0 X 2,4-NBR 80	1	PC
47	6.362-575.0	O-Ring seal 12,42 KOMPL	1	PC
71	7.311-510.0	Hexagon nut M 8-8-A2E ISO 7040	1	PC
101	6.376-036.0	Label spare parts neutrally 65x55 MM	2	ZST

26 Spare part set overflow valve (2.884-550.0)

POS	Article no.	Description	Quantity	Unit
7	5.112-757.0	Bush	1	PC
16	5.332-530.0	Helical spring	1	PC
44	6.362-365.0	O-Ring seal complete 1ST.-R.- 7,65X 1,7	1	PC
46	6.362-445.0	O-Ring seal 16,0 X 2,4-NBR 80	1	PC
47	6.362-575.0	O-Ring seal 12,42 KOMPL	1	PC
71	7.311-510.0	Hexagon nut M 8-8-A2E ISO 7040	1	PC
145		Grease	0,01	g
151	6.376-036.0	Label spare parts neutrally 65x55 MM	2	ZST

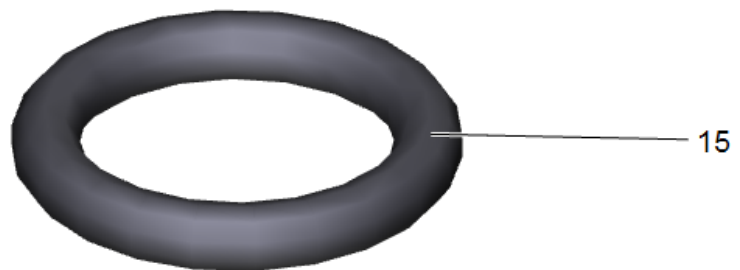
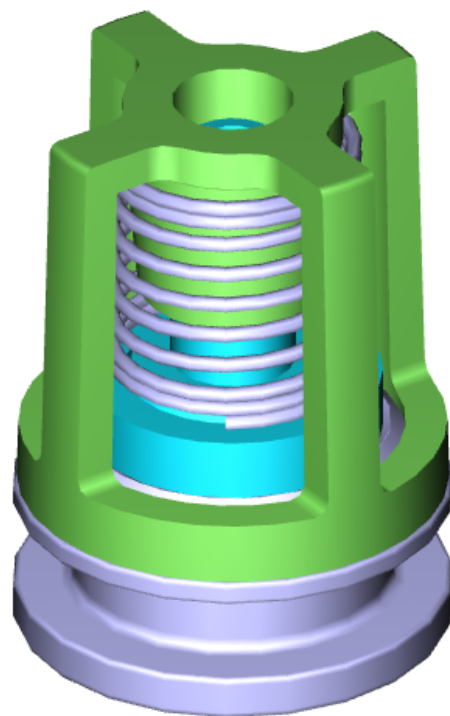


30 Valve seat complete (4.481-226.0)

POS	Article no.	Description	Quantity	Unit
2	6.362-858.0	O-Ring seal 11,0 X 1,5	1	PC
3	7.401-907.0	Sphere 3/8 G200-1.4301 DIN 5401	1	PC
4	5.332-999.0	Helical spring	1	PC

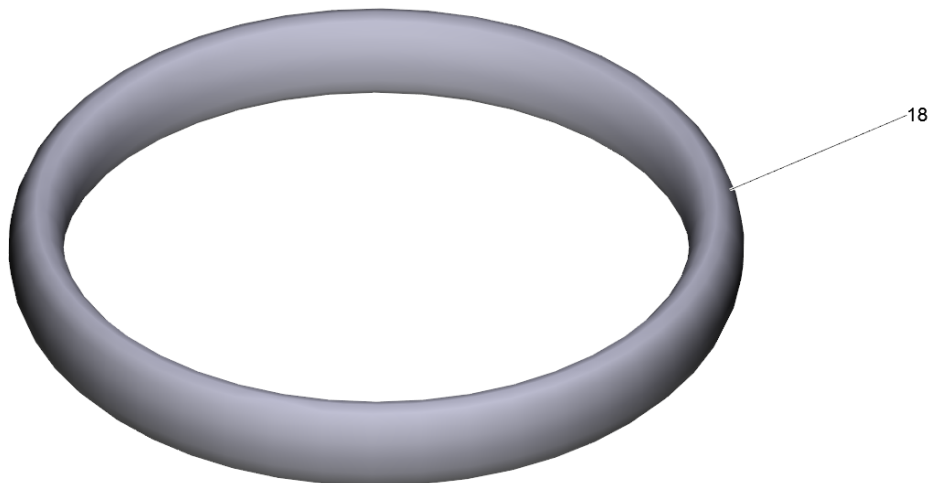
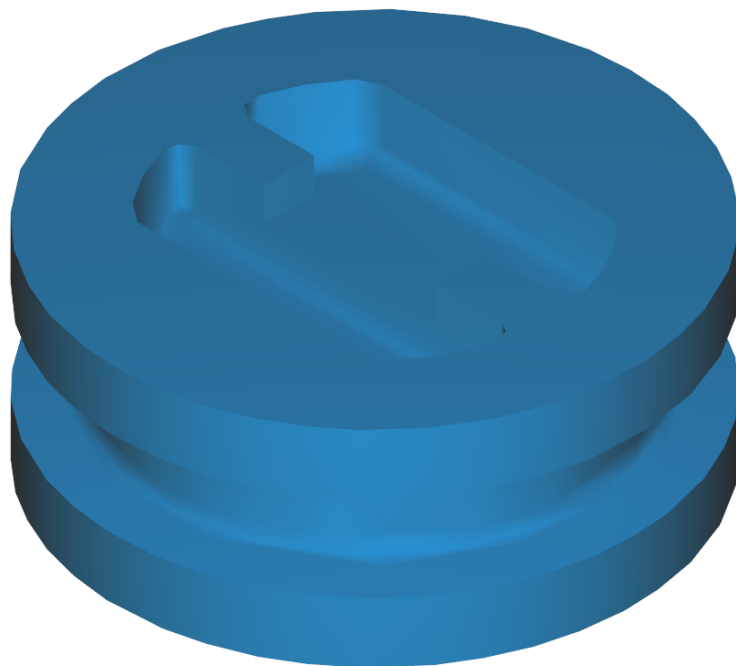
100 Pump set HD 7/18C (2.885-017.0)

POS	Article no.	Description	Quantity	Unit
1	2.884-916.0	Valve (3 Stück)	2	PC
2	5.115-465.0	Washer	3	PC
3	5.115-744.0	Washer	3	PC
4	6.362-384.0	O-Ring seal 9x1,5 - NBR 70	1	PC
5	6.365-340.0	Grooved ring 14X22X5/7	3	PC
6	6.365-432.0	Grooved ring 14x22x5.3	3	PC
7	4.132-007.0	Drain plug only for replacement	4	PC
8	6.362-376.0	O-Ring seal 24,0 X 1,5	3	PC
9	5.112-576.3	Bush	3	PC
10	6.365-434.0	Grooved ring 14x20x4	3	PC



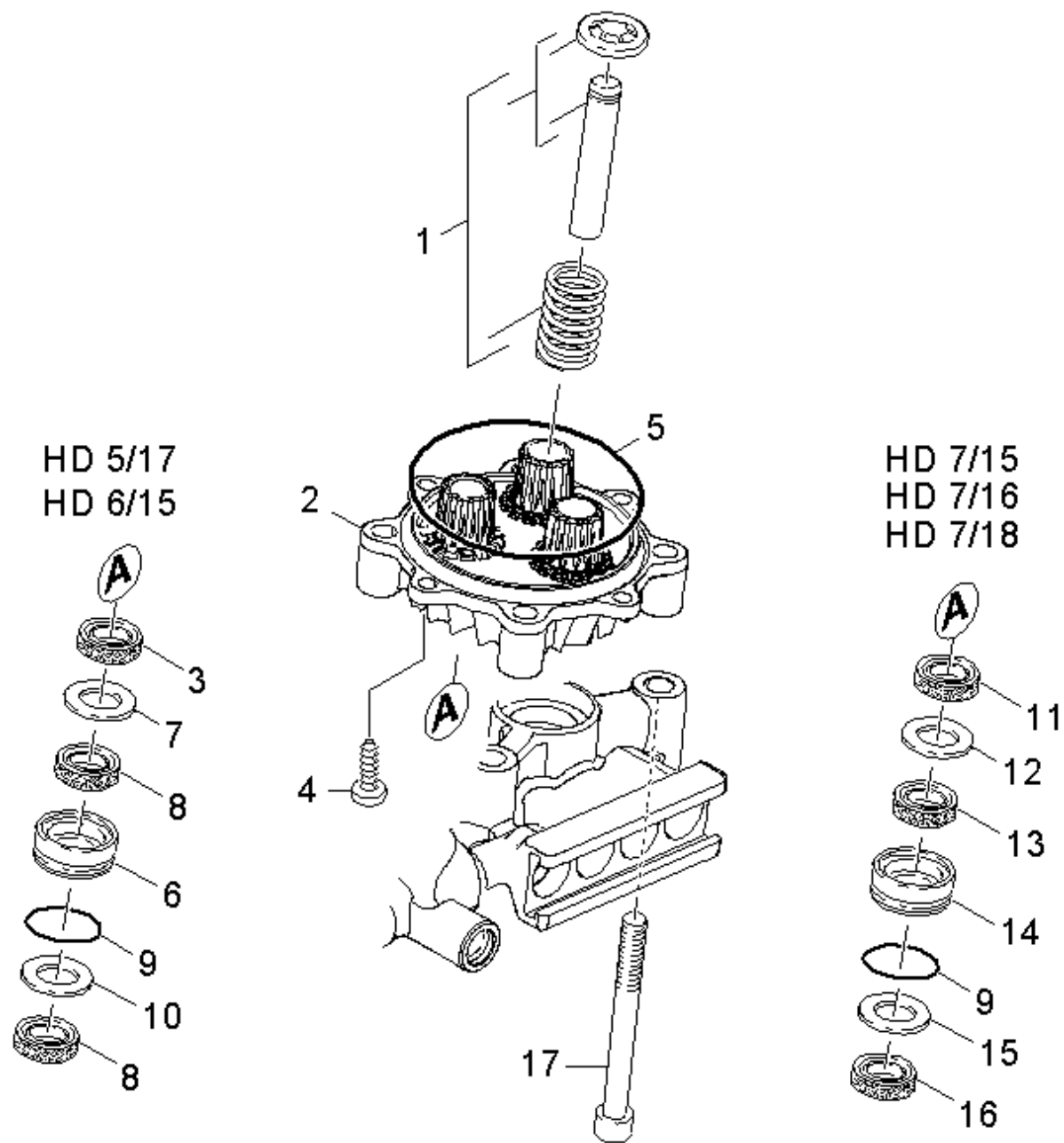
1 Valve (3 Stück) (2.884-916.0)

POS	Article no.	Description	Quantity	Unit
15	6.362-077.0	O-Ring seal 10 x 2,2 NBR 70	1	PC



7 Drain plug only for replacement (4.132-007.0)

POS	Article no.	Description	Quantity	Unit
18	6.362-458.0	O-Ring seal 11,0x2,0-NBR 70	1	PC

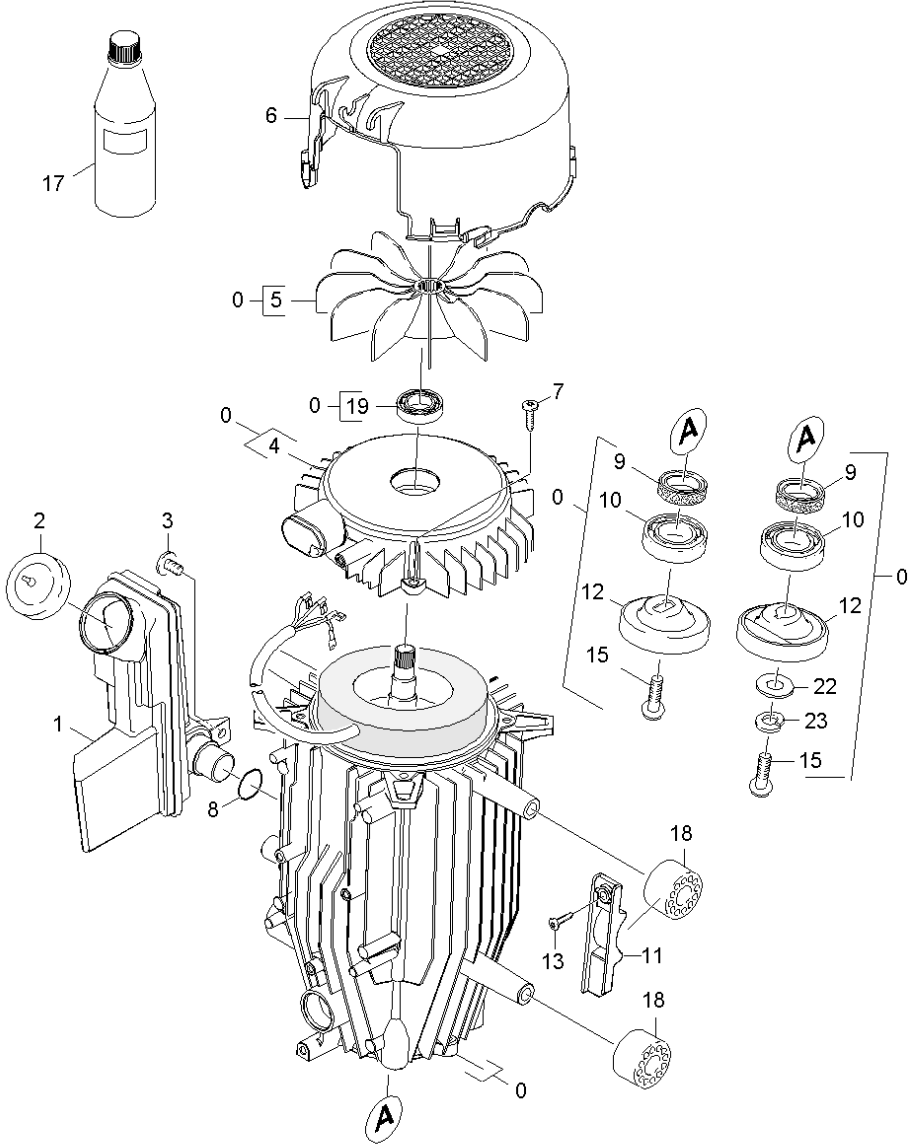


22 Thrust guidance

POS	Article no.	Description	Quantity	Unit	Foot note text
1	4.553-231.0	Piston complete only for replacement	3	PC	
		Item text1: 1.150-601.0 /-602.0 /-603 /-604.0 /-606.0 /-607.0 / 1.150-608.0 /-612.0 /-613.0 /-619.0 /-622.0			
1	4.553-242.0	Piston complete	3	PC	
		Item text1: 1.151-601.0/ -602.0/ -603.0/ -604.0/ Item text2: -605.0 /-612.0			
1	4.553-254.0	Piston complete	3	PC	
		Item text1: 1.151-607.0			
1	4.553-258.0	Piston complete D14	3	PC	
		Item text1: 1.151-608.0			
1	4.553-264.0	Piston complete only for replacement	3	PC	
		Item text1: 1.151-606.0			
1	4.553-273.0	Piston complete only for replacement	3	PC	
		Item text1: 1.150-609.0 / -615.0 /			
1	4.553-274.0	Piston complete only for replacement	3	PC	
		Item text1: 1.214-120.0 / -122.0 / -123.0 /			
1	4.553-275.0	Piston complete only for replacement	3	PC	
		Item text1: 1.214-121.0			
1	4.553-306.0	Piston -nur fuer Ersatz-	3	PC	CERAMIC COATED
		Item text1: 1.150-601.0 /-602.0 /-603.0 /-608.0 / Item text2: -613.0 /-619.0			
1	4.553-309.0	Piston -nur fuer Ersatz-	3	PC	CERAMIC COATED
		Item text1: 1.150-609.0			
2	5.061-018.3	Thrust guidance	1	PC	
		Item text1: 1.150-601.0/-602.0/-603/-604.0/-606.0/-607.0/ -608.0/-609.0/-612.0/-613.0/-615.0/-619.0/-622.0/ 1.214-120.0/-121.0/-122.0/-123.0			
2	5.062-754.3	Thrust guidance	1	PC	
		Item text1: 1.151-601.0 / -602.0/ -603.0/ -604.0 Item text2: -605.0/ -606.0/ -607.0 /-608.0 /-612.0			
3	6.365-001.0	Grooved ring 12x20x4/6	3	PC	
		Item text1: 1.150-601.0/-602.0/-603/-604.0/-606.0/-607.0/-608.0 /-609.0/-612.0/-613.0/-615.0/-619.0/-622.0 / 1.214-120.0/-121./-122.0 /-123.0			
4	7.303-047.0	Screw M6x16 -St-R3R (In6Rd)	2	PC	
5	6.363-077.0	O-Ring seal 75x3	1	PC	
6	5.112-726.0	Bush	3	PC	
		Item text1: 1.150-601.0/-602.0/-603.0/-604.0/-606.0/-607.0/-608.0 /-609.0/-612.0/-613.0/-615.0/-619.0/-622.0 / 1.214-120.0/-121.0/-122.0 /-123.0			

22 Thrust guidance

POS	Article no.	Description	Quantity	Unit	Foot note text
7	5.116-093.0	Washer	3	PC	
	Item text1: 1.150-601.0/-602.0/-603.0/-604.0/-606.0/-607.0/-608.0 /-609.0/-612.0/-613.0/-615.0/-619.0/-622.0 / 1.214-120.0/-121.0/-122.0 /-123.0				
8	6.365-477.0	Grooved ring 12x20x5,3/2,8	6	PC	
	Item text1: 1.150-601.0/-602.0/-603.0/-604.0/-606.0/-607.0/-608.0 /-609.0/-612.0/-613.0/-615.0/-619.0/-622.0 / 1.214-120.0/-121.0/-122.0 /-123.0				
8	6.365-563.0	Grooved ring	6	PC	FOR PISTON CERAMIC COATED
	Item text1: 1.150-609.0				
9	6.362-376.0	O-Ring seal 24,0 X 1,5	3	PC	
10	5.115-721.0	Washer	3	PC	
	Item text1: 1.150-601.0/-602.0/-603.0/-604.0/-606.0/-607.0/-608.0 /-609.0/-612.0/-613.0/-615.0/-619.0/-622.0 / 1.241-120.0/-121.0/-122.0 /-123.0				
11	6.365-340.0	Grooved ring 14X22X5/7	3	PC	
	Item text1: 1.151-601.0 /-602.0 /-603.0 /-604.0				
	Item text2: -605.0/-606.0/ -607.0/-608.0/-612.0				
12	5.115-744.0	Washer	3	PC	
	Item text1: 1.151-601.0 / -602.0 / -603.0 / -604.0				
	Item text2: -605.0/ -606.0/ -607.0/-608.0/-612.0				
13	6.365-438.0	Compact seal	3	PC	
	Item text1: 1.151-601.0 / -602.0 / -603.0 / -604.0				
	Item text2: -605.0/ -606.0/ -607.0/-608.0/-612.0				
14	5.112-576.3	Bush	3	PC	
	Item text1: 1.151-601.0/ -602.0/ -603.0/ -604.0				
	Item text2: -605.0/ -606.0/ -607.0/-608.0/-612.0				
15	5.115-465.0	Washer	3	PC	
	Item text1: 1.151-601.0 / -602.0 / -603.0 / -604.0				
	Item text2: -605.0/ -606.0/ -607.0/-608.0/-612.0				
16	6.365-432.0	Grooved ring 14x22x5.3	3	PC	
	Item text1: 1.151-606.0 /-607.0				
17	7.306-106.0	Cylinder head screw M8x70 -8.8-A2E ISO4	4	PC	



30 Motor

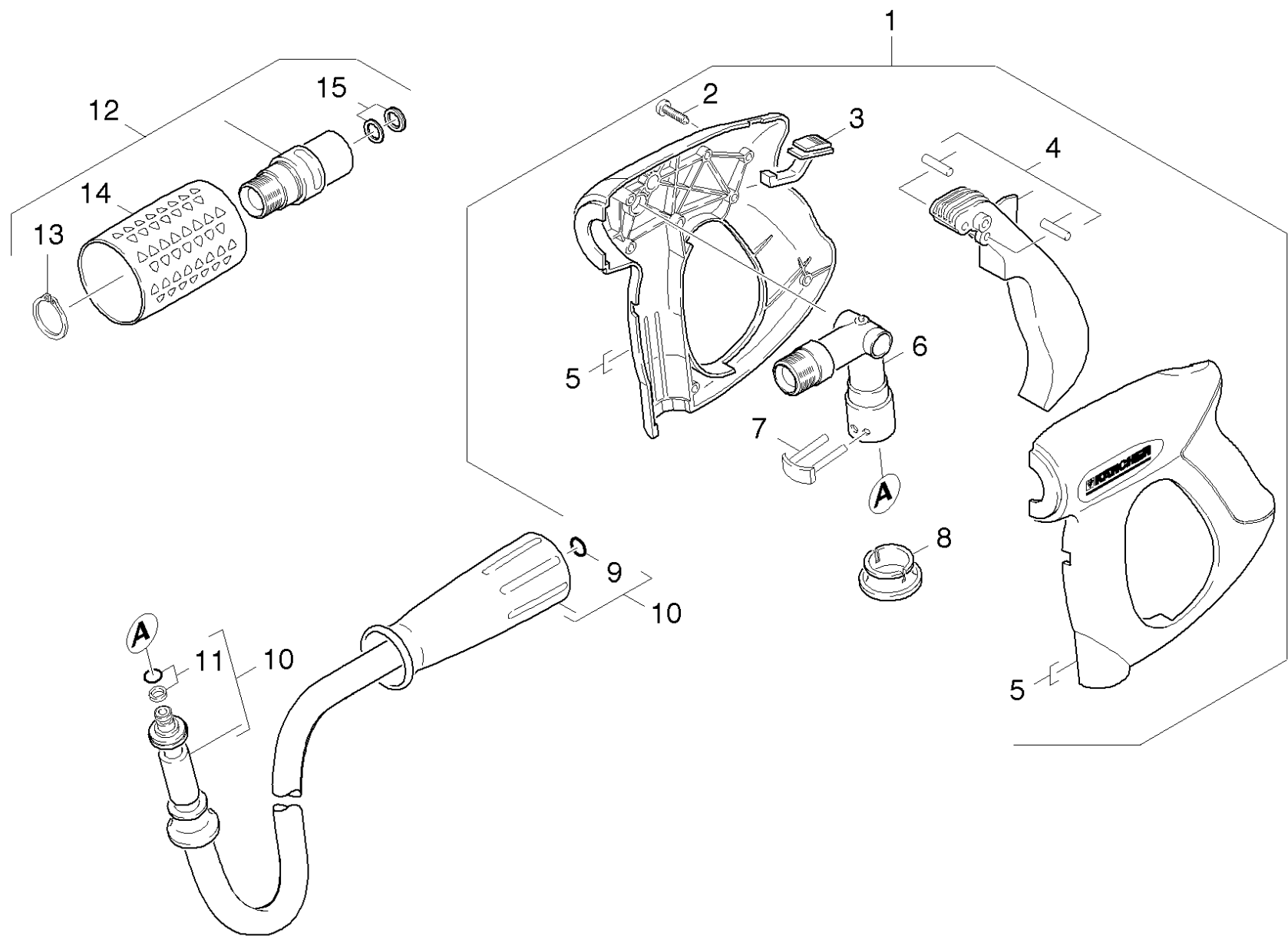
POS	Article no.	Description	Quantity	Unit
0	4.623-675.3	Motor complete	1	PC
		Item text1: 1.150-601.0 / -603.0 / -604.0 / -606.0 / -607.0 / -613.0 /-619.0		
0	4.623-850.3	Motor complete only for replacement	1	PC
		Item text1: 1.151-606.0		
0	4.623-683.3	Motor complete	1	PC
		Item text1: 1.151-601.0 / -602.0/ -603.0 / -604.0		
		Item text2: -605.0 /-607.0 /-612.0		
0	4.623-868.3	Motor complete only for replacement	1	PC
		Item text1: 1.214-121.0		
0	4.623-866.0	Motor complete only for replacement	1	PC
		Item text1: 1.214-120.0 / -122.0 / -123.0 /		
0		Motor complete only for replacement	1	PC
		Item text1: 1.150-612.0		
0	4.623-794.0	Motor complete only for replacement	1	PC
		Item text1: 1.151-608.0		
0	4.623-754.0	Motor complete	1	PC
		Item text1: 1.150-602.0 / -622.0		
0	4.623-699.3	Motor complete only for replacement	1	PC
		Item text1: 1.150-609.0 / -615.0 /		
0	4.623-692.0	Motor complete only for replacement	1	PC
		Item text1: 1.150-608.0		
1	5.070-639.0	Tank oil	1	PC
2	5.064-457.0	Cover plate qusty grey oil	1	PC
		Item text1: 1.151-601.0/ -602.0/ -603.0/ -604.0		
		Item text2: -605.0/ -606.0 /-607.0 /-608.0 /-612.0		
2	5.064-457.0	Cover plate qusty grey oil	1	PC
		Item text1: 1.150-601.0/-602.0/-603.0/-604.0/-606.0/-607.0/-608.0 /-609.0/-612.0/-613.0/-615.0/-619.0/-622.0/ 1.214-120.0/-121.0/-122.0 /-123.0		
3	6.303-153.0	Screw M5x15-ST-R2R (IN6RD)	1	PC
4	5.064-197.0	Bearing cover B	1	PC
		Item text1: 1.214-120.0 / -121.0 / -122.0 / -123.0		
4	5.094-148.0	Bearing cover B	1	PC
5	5.600-060.0	Blower wheel	1	PC
6	5.692-081.0	Air circulation	1	PC

30 Motor

POS	Article no.	Description	Quantity	Unit
7	6.303-320.0	Screw M 5x 20-St-R2R	4	PC
8	6.362-161.0	O-Ring seal 19,3 X 2,4	1	PC
9	7.367-001.0	Radial shaft seal ring A24x37x7 -NBR DI	1	PC
10	6.401-427.3	Angular contact ball bearing	1	PC
11	5.802-288.0	Mounting part	2	PC
12	4.120-213.0	Wobble plate	1	PC
	Item text1: 1.151-601.0 / -602.0/ -603.0/ -604.0 -605.0 /-607.0 /-612.0 1.214-120.0 /-122.0 /-123.0			
12	4.120-216.0	Wobble plate	1	PC
	Item text1: 1.150-608.0 / -612.0 /			
12	4.120-219.0	Wobble plate complete	1	PC
	Item text1: 1.151-608.0 / 1.214-121.0 /			
12	4.120-222.0	Wobble plate complete only for replaceme	1	PC
	Item text1: 1.151-606.0			
12	4.120-225.0	Wobble plate complete only for replaceme	1	PC
	Item text1: 1.150-609.0 / -615.0 /			
12	6.401-307.3	Wobble plate	1	PC
	Item text1: 1.150-601.0 /-602.0 /-603.0 /-604.0 /-606.0 /-607.0 /-613.0 /-619.0 /-622.0 /			
13	7.303-108.0	Screw 5x20 -10.9-R2R (In6Rd)	2	PC
15	7.306-042.0	Cylinder head screw M8x25 -8.8-A2E ISO4	1	PC
	Item text1: 1.151-601.0/-602.0/-603.0/-604.0/-605.0 /-606.0/-607.0/-608.0/-612.0 1.150-608.0 /-612.0 1.214-120.0 /-122.0 /-123.0			
15	9.086-169.0	Wobble plate screw M8x16	1	PC
	Item text1: 1.150-601.0 /-602.0 /-603.0 /-604.0 /-606.0 /-607.0 /-609.0 /-613.0 /-615.0 /-619.0 /-622.0			
17	6.288-016.0	Gear oil 1L	1	PC
	Item text1: 1.151-601.0 / -602.0/ -603.0/ -604.0			
	Item text2: -605.0/ -606.0/ -607.0/ /-608.0 /-612.0			
17	6.288-050.0	Engine oil 1L	1	PC
	Item text1: 1.150-601.0/-602.0/-603.0/-604.0/-606.0/-607.0/-608.0 /-609.0/-612.0/-613.0/-615.0/-619.0/-622.0 / 1.214-120.0/-121.0/-122.0 /-123.0			
18	5.767-005.0	Rubber buffer	4	PC
19	7.401-128.0	Ball bearing 6202-2RS -Wälzl.St DIN 625	1	PC
22	7.312-277.0	Washer 8-200HV-A2E ISO7093-1	1	PC
	Item text1: 1.151-601.0/-602.0/-603.0/-604.0/-605.0 /-606.0/-607.0/-608.0/-612.0 / 1.150-608.0/-612.0			
23	7.313-004.0	Spring washer B 8-FSt-A3E DIN 127	1	PC
	Item text1: 1.151-601.0/-602.0/-603.0/-604.0/-605.0 /-606.0/-607.0/-608.0/-612.0 / 1.150-606.0/-608.0/-612.0			

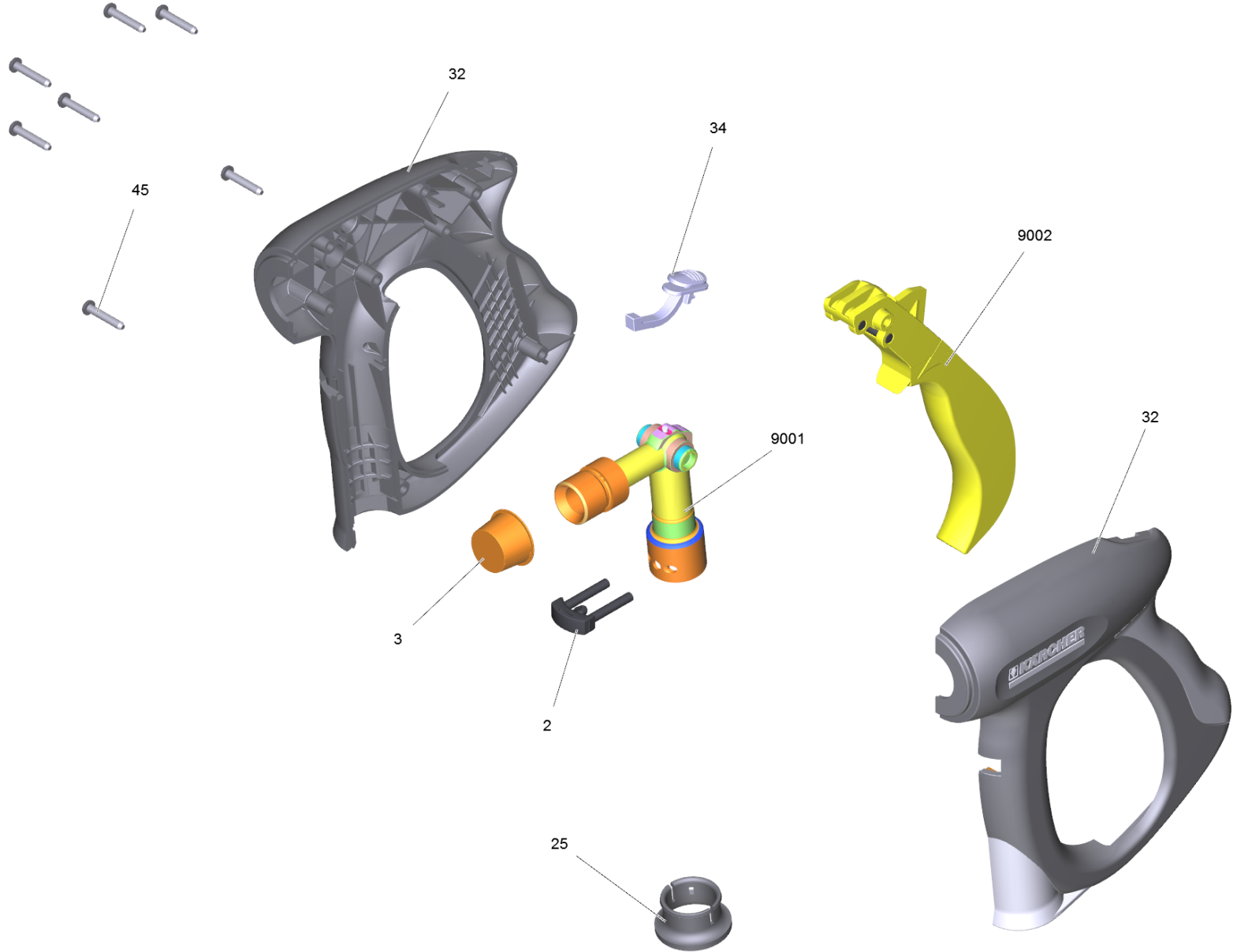
40 Accessories

POS	Description	Quantity	Unit	Remark
41	Hand trigger gun	1	PC	
42	Jet pipe	1	PC	
43	Nozzle	1	PC	VERSION 1
44	Triple jet nozzle	1	PC	VERSION 2



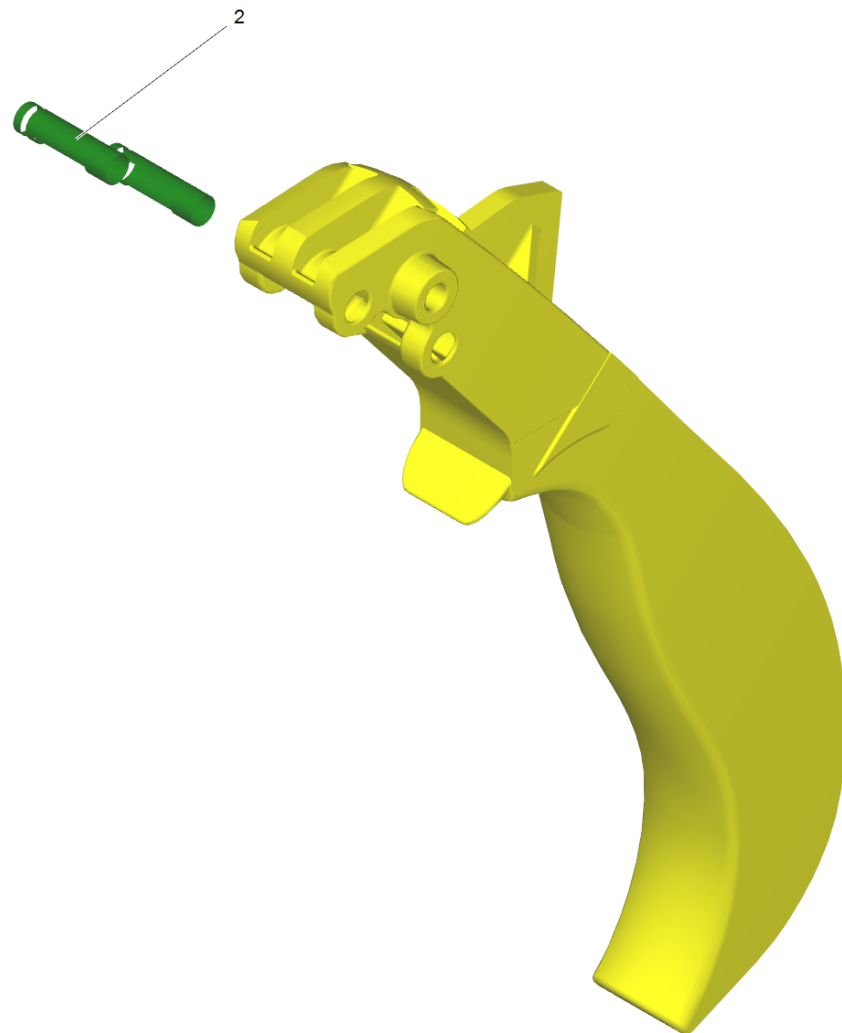
41 Hand trigger gun

POS	Article no.	Description	Quantity	Unit
1	4.775-463.0	HAND TRIGGER GUN EASY PRESS	1	PC
2	7.303-096.0	Screw 4x22-ST-10.9-R2R (IN6RD)	7	PC
3	5.481-331.0	Slider	1	PC
4	4.481-209.0	Lever complete	1	PC
5	5.321-669.3	Handhold few	1	PC
6	4.427-215.0	Manifold complete only for replacement	1	PC
7	4.037-013.0	Hook	1	PC
8	5.110-596.0	Sleeve	1	PC
9	2.880-990.0	Spare part set O-Ring 5x -Kaercher	1	PC
10	6.391-875.0	Hose assembly premium DN6 30MPa 10m	1	PC
11	4.363-691.0	O-Ring seal kpl. -nur fuer Ersatz-	1	PC
12	4.775-526.0	Rotary controller 270 l	1	PC
	Item text1: 1.151-601.0 /-602.0 /-603.0 /-604.0			
	Item text2: /-605.0 /-606.0 /-612.0			
13	7.343-069.0	Locking ring 25x1,2-1.4122 DIN 471	1	PC
	Item text1: 1.151-601.0 /-602.0 /-603.0 /-604.0			
	Item text2: /-605.0 /-606.0 /-612.0			
14	5.321-668.0	Handle	1	PC
	Item text1: 1.151-601.0 /-602.0 /-603.0 /-604.0			
	Item text2: /-605.0 /-606.0 /-612.0			
15	2.880-001.0	Spare part set seals TR	1	PC
	Item text1: 1.151-601.0 /-602.0 /-603.0 /-604.0			
	Item text2: /-605.0 /-606.0 /-612.0			



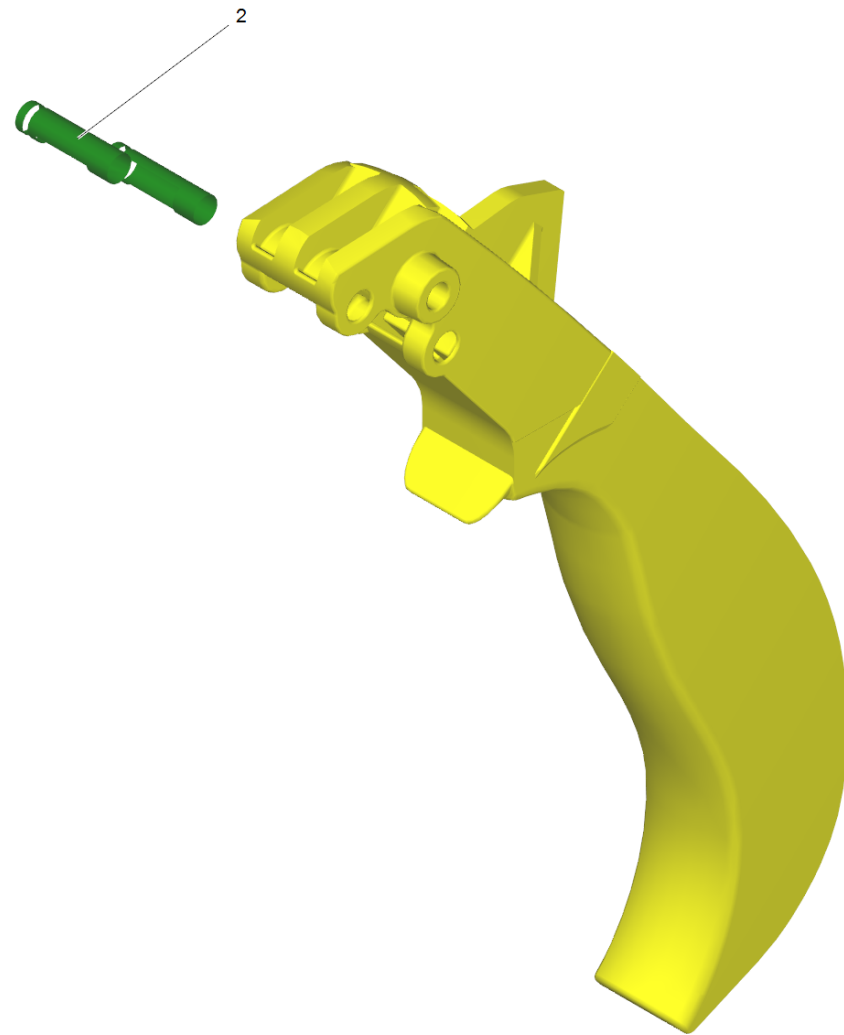
1 HAND TRIGGER GUN EASY PRESS (4.775-463.0)

POS	Article no.	Description	Quantity	Unit
2	4.037-013.0	Hook	1	PC
3	6.368-012.0	Protecting cap 22X1,5	1	PC
4	6.869-075.0	Metal bonding agent 1,5 ml	1	PC
cart_info_txt: This material is not available due to hazardous good regulation. Please procure this or a similar material from a local supplier of your choice.				
25	5.110-596.0	Sleeve	1	PC
32	5.321-669.3	Handhold few	1	PC
34	5.481-331.0	Slider	1	PC
45	7.303-096.0	Screw 4x22-ST-10.9-R2R (IN6RD)	7	PC
1041	6.288-044.0	Silicon grease 100 G	1	PC
9001	4.427-215.0	Manifold complete only for replacement	1	PC
9002	4.481-209.0	Lever complete	1	PC



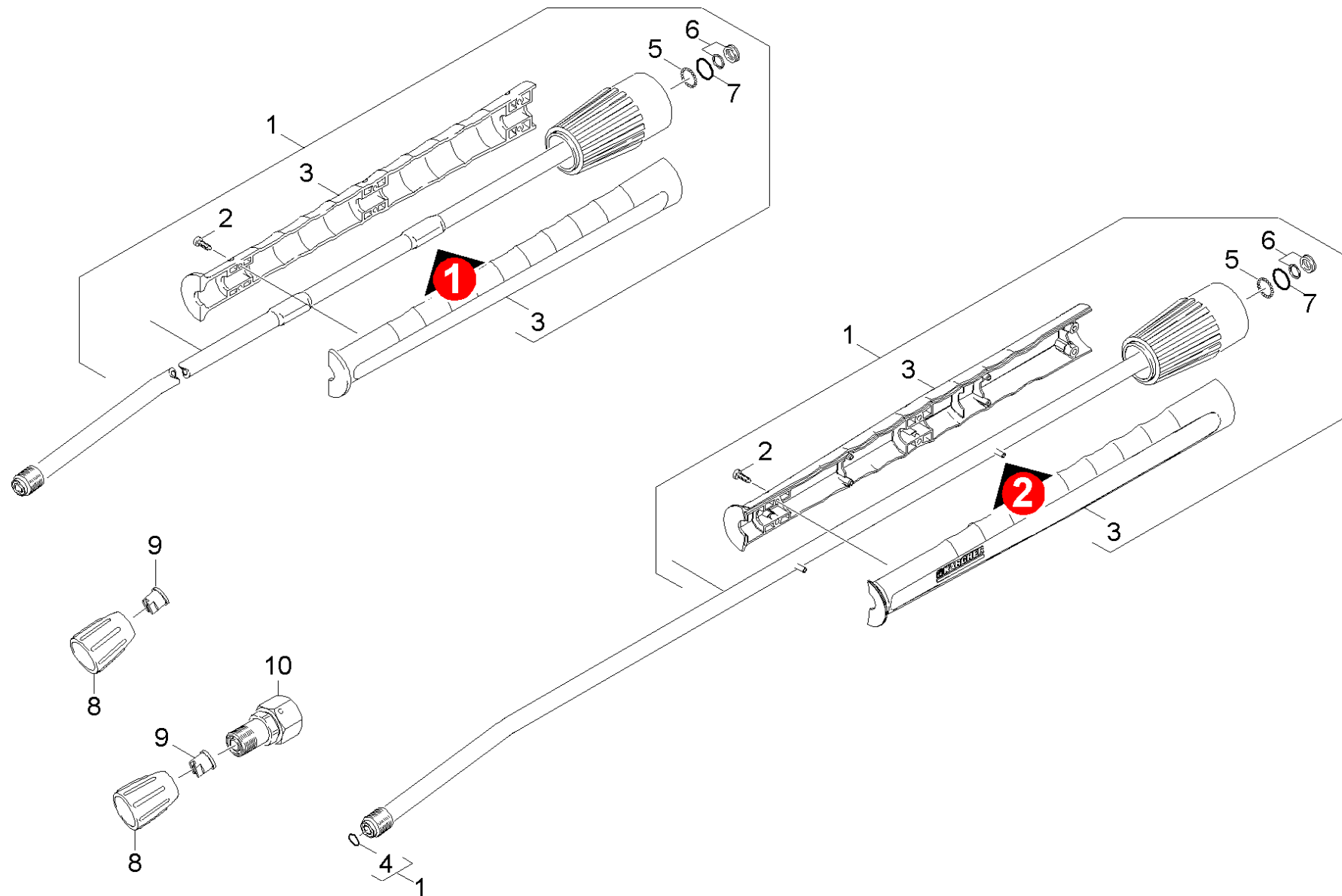
9002 Lever complete (4.481-209.0)

POS	Article no.	Description	Quantity	Unit
2	5.314-119.0	Pin	2	PC



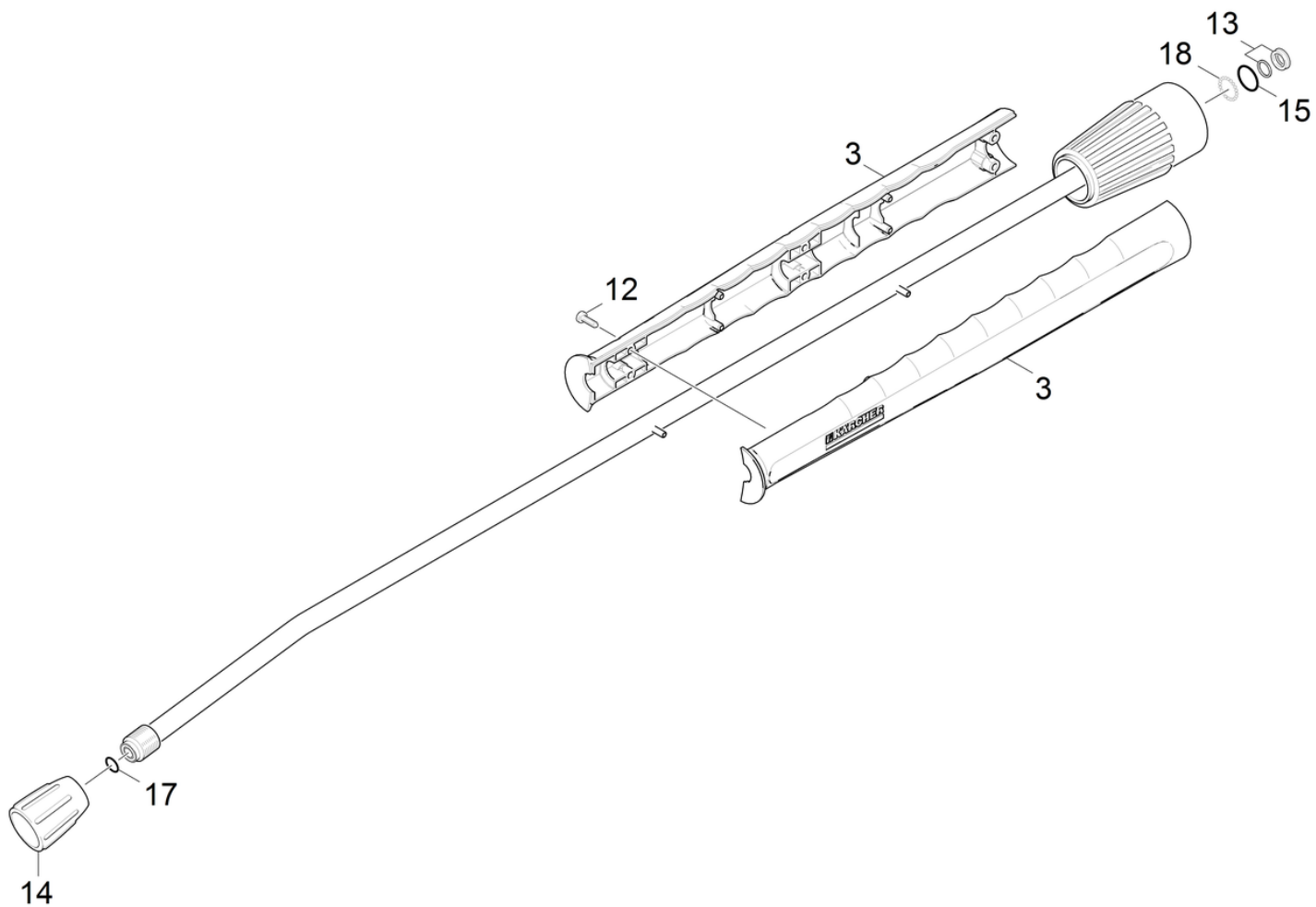
4 Lever complete (4.481-209.0)

POS	Article no.	Description	Quantity	Unit
2	5.314-119.0	Pin	2	PC



42 Jet pipe

POS	Article no.	Description	Quantity	Unit	Remark
1	4.760-663.0	Jet pipe packaged only for replacement	1	PC	
2	7.303-129.0	Screw 4x16-10.9-R2R (K-In6Rd)	6	PC	
3	5.321-855.0	Handhold few jet pipe with welding bolt	1	PC	VERSION 2
3	5.322-083.3	Handhold few extended Low End	1	PC	VERSION 1
4	2.880-990.0	Spare part set O-Ring 5x -Kaercher	1	PC	
5	7.401-915.0	Sphere 2,5 G40 -1.4034 DIN 5401	1	PC	
6	4.363-692.0	Grooved ring kpl. -nur fuer Ersatz-	1	PC	
7	6.362-524.0	O-Ring seal 17,0 X 1,5	1	PC	
8	5.401-210.0	Screw connector part	1	PC	
	Item text1: 1.151-612.0				
9	2.883-397.0	Power nozzle 25040	1	PC	
	Item text1: 1.151-612.0				
9	2.884-521.0	Power nozzle 25250	1	PC	
	Item text1: 1.151-612.0				
10	4.402-022.0	Screw union	1	PC	
	Item text1: 1.151-612.0				



1 Jet pipe packaged only for replacement (4.760-663.0)

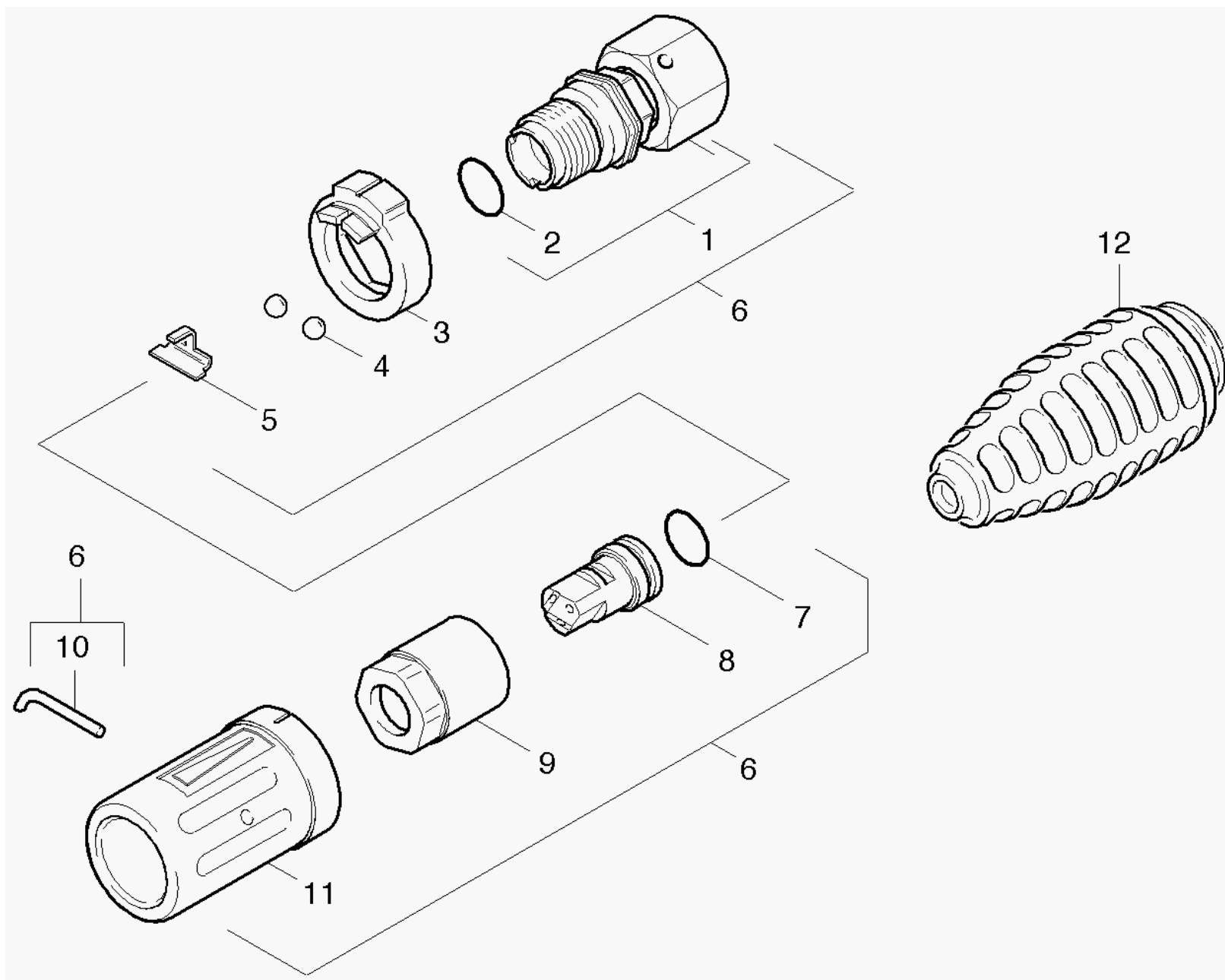
POS	Article no.	Description	Quantity	Unit
3	5.321-855.0	Handhold few jet pipe with welding bolt	1	PC
12	7.303-129.0	Screw 4x16-10.9-R2R (K-In6Rd)	6	PC
13	6.362-064.0	Quad joint ring 9.19x2.62	1	PC
14	5.401-210.0	Screw connector part	1	PC
15	6.362-524.0	O-Ring seal 17,0 X 1,5	1	PC
17	7.362-501.0	O-Ring seal 10x2 EPDM 70 DIN 3770	1	PC
18	7.401-915.0	Sphere 2,5 G40 -1.4034 DIN 5401	20	PC

9 Power nozzle 25250 (2.884-521.0)

POS	Article no.	Description	Quantity	Unit
2	7.362-501.0	O-Ring seal 10x2 EPDM 70 DIN 3770	1	PC

10 Screw union (4.402-022.0)

POS	Article no.	Description	Quantity	Unit
9000	7.362-501.0	O-Ring seal 10x2 EPDM 70 DIN 3770	2	PC



43 Nozzle

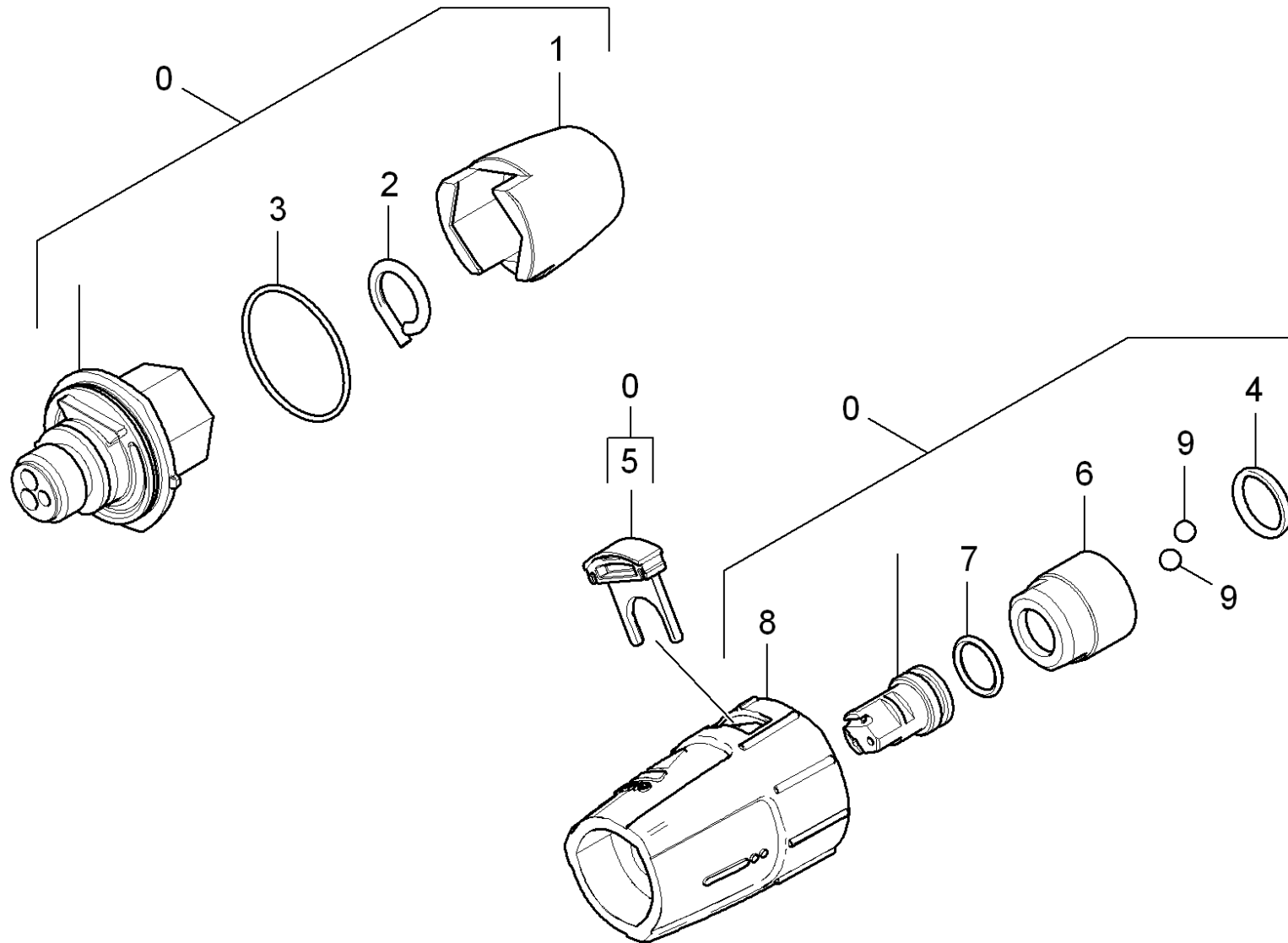
POS	Article no.	Description	Quantity	Unit
1	4.402-042.0	Screw union	1	PC
2	6.362-460.0	O-Ring seal 14,0 X 2,5-NBR 70	1	PC
3	5.030-528.0	Moulded part	1	PC
4	7.401-902.0	Sphere 5 G20 -1.4034 DIN 5401	2	PC
5	5.042-405.0	Holder	1	PC
6	7.777-999.0	Stockpiling discontinued	1	PC
7	6.362-480.0	O-Ring seal 12,42x 1,78	1	PC
8	7.777-999.0	Stockpiling discontinued	1	PC
	Item text1: 1.150-609.0 / -615.0 /			
8	5.415-606.0	Triple jet nozzle 045	1	PC
	Item text1: 1.151-605.0 / -606.0			
8	5.415-605.0	Triple jet nozzle 043	1	PC
	Item text1: 1.150-602.0 / -622.0 1.151-607.0/-608.0 / 1.214-120.0 /-121.0 /-122.0 / -123.0			
8	5.415-603.0	Triple jet nozzle 040	1	PC
	Item text1: 1.151-601.0 / -602.0/ -603.0/ -604.0			
8	5.415-600.0	Triple jet nozzle 034	1	PC
	Item text1: 1.150-601.0 / -603.0 / -604.0 / -606.0 / -607.0 -613.0 /-619.0 /			
9	5.311-117.0	Hexagon nut	1	PC
10	5.037-059.0	Hook	1	PC
11	5.394-269.0	Protection part	1	PC
12	4.767-022.0	Dirt blaster 035	1	PC
	Item text1: 1.150-603.0/-604.0			
12	4.767-023.0	Dirt blaster 040	1	PC
	Item text1: 1.151-603.0 / -604.0 /			
	Item text2: 1.150-612.0 / -615.0 /			
12	4.767-041.0	Dirt blaster packaged 03	1	PC
	Item text1: 1.214-122.0 /-123.0 /			
12	4.767-100.0	Dirt blaster 045	1	PC
	Item text1: 1.150-602.0 / -652.0			

12 Dirt blaster 040 (4.767-023.0)

POS	Article no.	Description	Quantity	Unit
999	4.764-134.0	Nozzle holder 040	1	PC

12 Dirt blaster packaged 03 (4.767-041.0)

POS	Article no.	Description	Quantity	Unit
999	4.764-150.0	Nozzle holder 03	1	PC



44 Triple jet nozzle

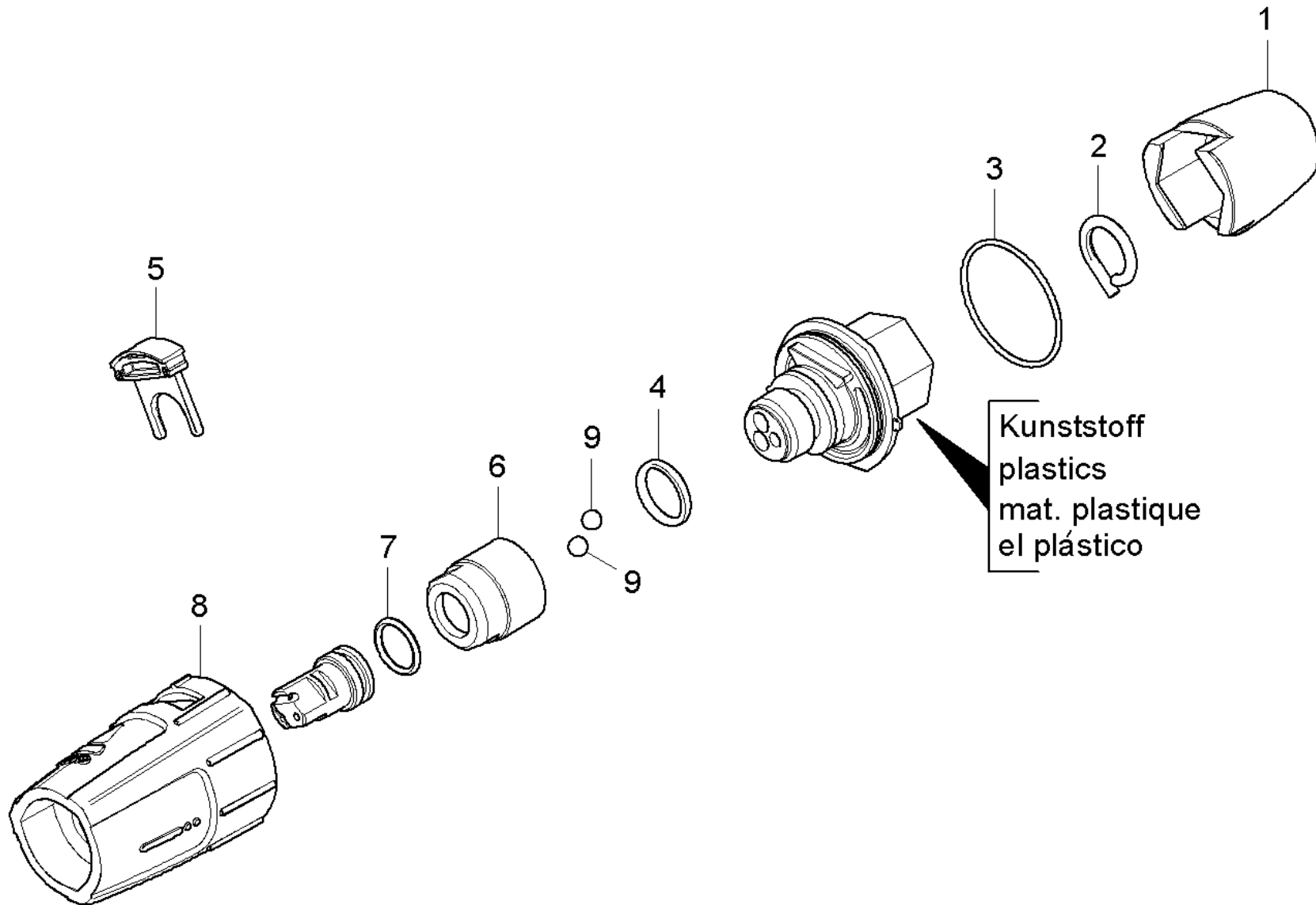
POS	Article no.	Description	Quantity	Unit
0	4.767-144.0	Triple jet nozzle only for replacement 0 Item text1: 1.214-120.0 /-121.0 /-122.0 /-123.0	1	PC
0	4.767-147.0	Triple jet nozzle replacement 034 Item text1: 1.150-601.0 /-603.0 /-604.0 /-606.0 /-607.0 / -613.0 /-619.0	1	PC
0	4.767-148.0	Triple jet nozzle replacement 036 Item text1: 1.150-608.0 /-609.0 /-615.0 /	1	PC
0	4.767-150.0	Triple jet nozzle only for replacement 0 Item text1: 1.151-601.0 /-602.0 /-603.0 /-604.0 / Item text2: 1.150-612.0	1	PC
0	4.767-152.0	Triple jet nozzle only for replacement 0 Item text1: 1.150-602.0 /-622.0 / 1.151-607.0/-608.0	1	PC
0	4.767-153.0	Triple jet nozzle only for replacement 0 Item text1: 1.151-605.0 /-606.0 /	1	PC
1	5.394-530.0	Protection part complete	1	PC
2	6.343-150.0	Pin 03	1	PC
3	6.362-409.0	O-Ring seal 32,0 X 1,5	1	PC
4	6.362-460.0	O-Ring seal 14,0 X 2,5-NBR 70	1	PC
5	5.321-884.0	Clamp	1	PC
6	5.311-225.0	Nut	1	PC
7	6.362-480.0	O-Ring seal 12,42x 1,78	1	PC
8	5.394-859.0	Protection part	1	PC
9	7.401-902.0	Sphere 5 G20 -1.4034 DIN 5401	2	PC

Triple jet nozzle only for replacement 0 (4.767-144.0)

POS	Article no.	Description	Quantity	Unit
2	5.970-837.0	Spare parts list triple jet nozzle	1	PC

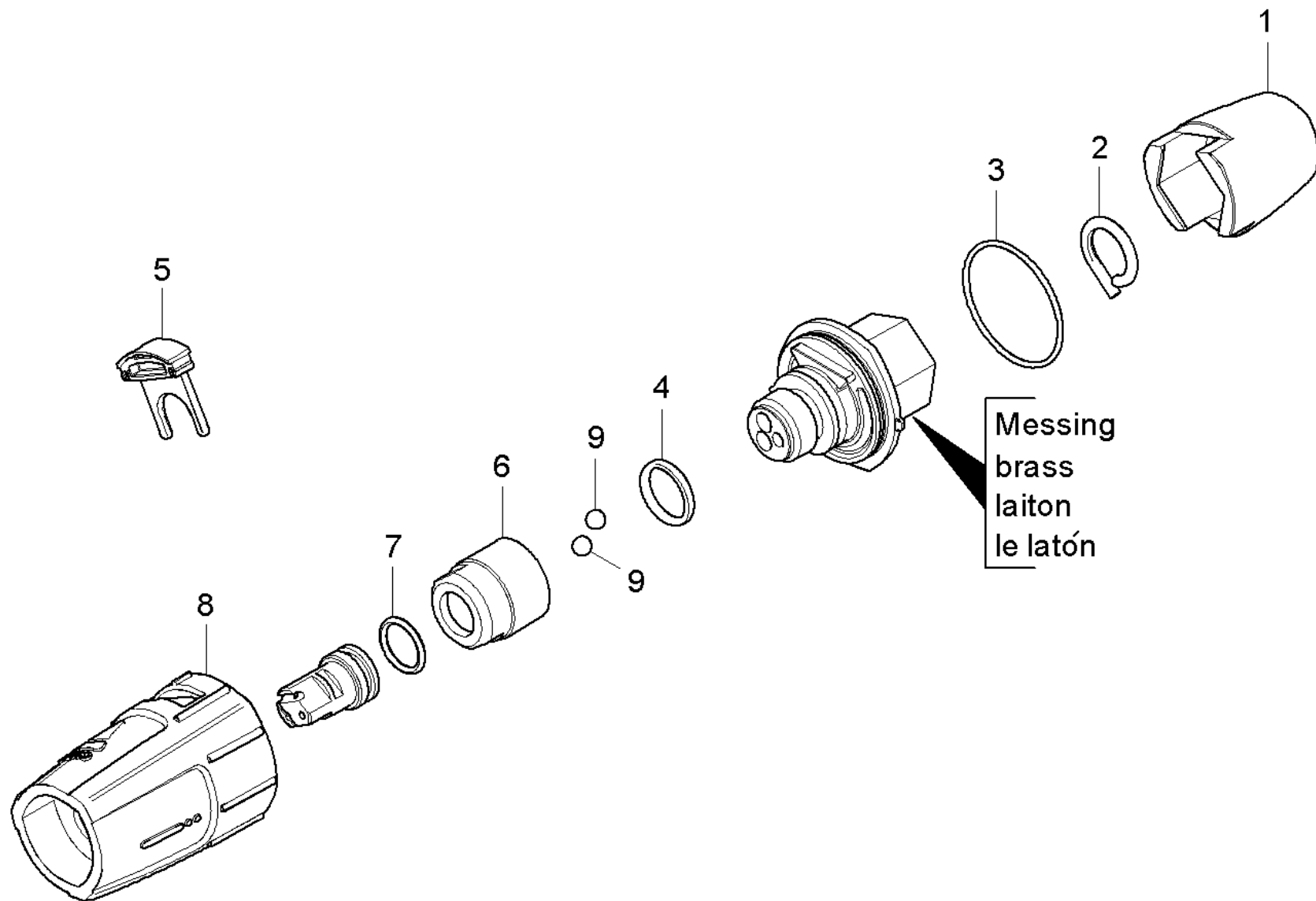
2 Spare parts list triple jet nozzle (5.970-837.0)

POS	Description	Quantity	Unit
10	Triple jet nozzle plastics	1	PC
20	Triple jet nozzle brass	1	PC



10 Triple jet nozzle plastics

POS	Article no.	Description	Quantity	Unit
1	5.394-530.0	Protection part complete	1	PC
2	6.343-150.0	Pin 03	1	PC
3	6.362-409.0	O-Ring seal 32,0 X 1,5	1	PC
4	7.362-039.0	O-Ring seal 15,5x1,5 -NBR70 DIN 3771	1	PC
5	5.321-884.0	Clamp	1	PC
6	5.311-236.0	Nut	1	PC
7	6.362-480.0	O-Ring seal 12,42x 1,78	1	PC
8	5.394-874.0	Protection part	1	PC
9	7.401-902.0	Sphere 5 G20 -1.4034 DIN 5401	2	PC



20 Triple jet nozzle brass

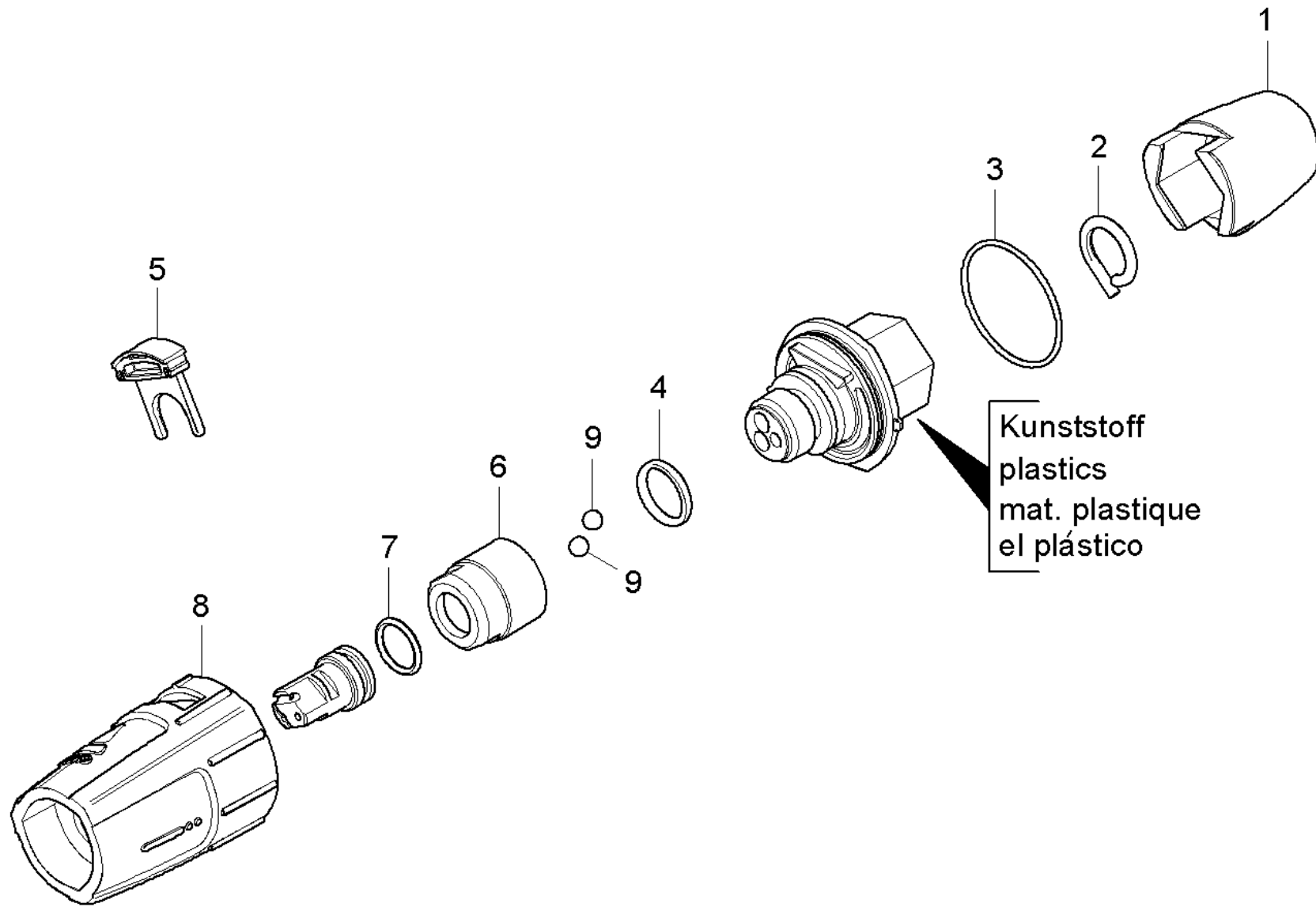
POS	Article no.	Description	Quantity	Unit
1	5.394-530.0	Protection part complete	1	PC
2	6.343-150.0	Pin 03	1	PC
3	6.362-409.0	O-Ring seal 32,0 X 1,5	1	PC
4	6.362-460.0	O-Ring seal 14,0 X 2,5-NBR 70	1	PC
5	5.321-884.0	Clamp	1	PC
6	5.311-225.0	Nut	1	PC
7	6.362-480.0	O-Ring seal 12,42x 1,78	1	PC
8	5.394-859.0	Protection part	1	PC
9	7.401-902.0	Sphere 5 G20 -1.4034 DIN 5401	2	PC

Triple jet nozzle replacement 034 (4.767-147.0)

POS	Article no.	Description	Quantity	Unit
2	5.970-837.0	Spare parts list triple jet nozzle	1	PC

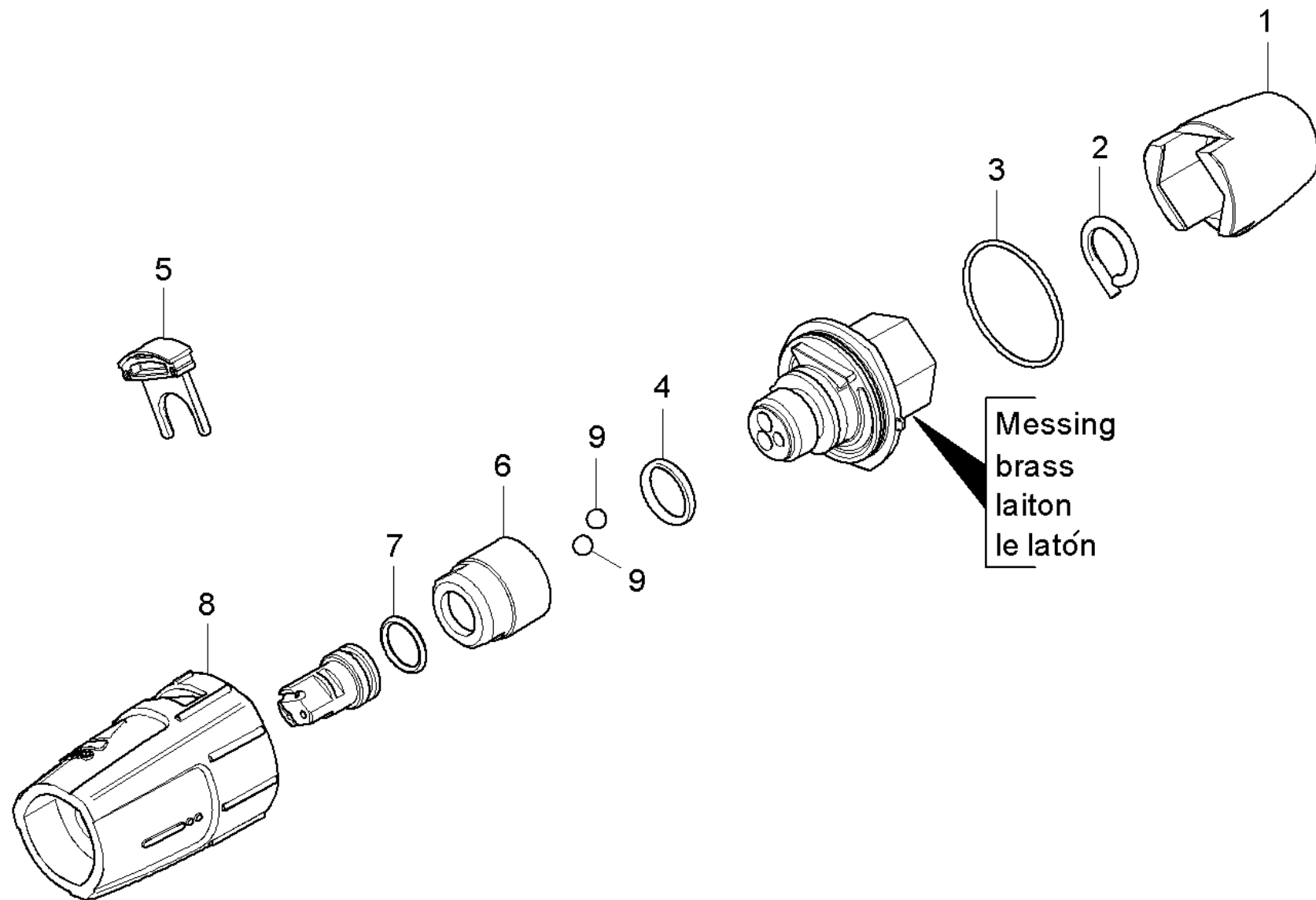
2 Spare parts list triple jet nozzle (5.970-837.0)

POS	Description	Quantity	Unit
10	Triple jet nozzle plastics	1	PC
20	Triple jet nozzle brass	1	PC



10 Triple jet nozzle plastics

POS	Article no.	Description	Quantity	Unit
1	5.394-530.0	Protection part complete	1	PC
2	6.343-150.0	Pin 03	1	PC
3	6.362-409.0	O-Ring seal 32,0 X 1,5	1	PC
4	7.362-039.0	O-Ring seal 15,5x1,5 -NBR70 DIN 3771	1	PC
5	5.321-884.0	Clamp	1	PC
6	5.311-236.0	Nut	1	PC
7	6.362-480.0	O-Ring seal 12,42x 1,78	1	PC
8	5.394-874.0	Protection part	1	PC
9	7.401-902.0	Sphere 5 G20 -1.4034 DIN 5401	2	PC



20 Triple jet nozzle brass

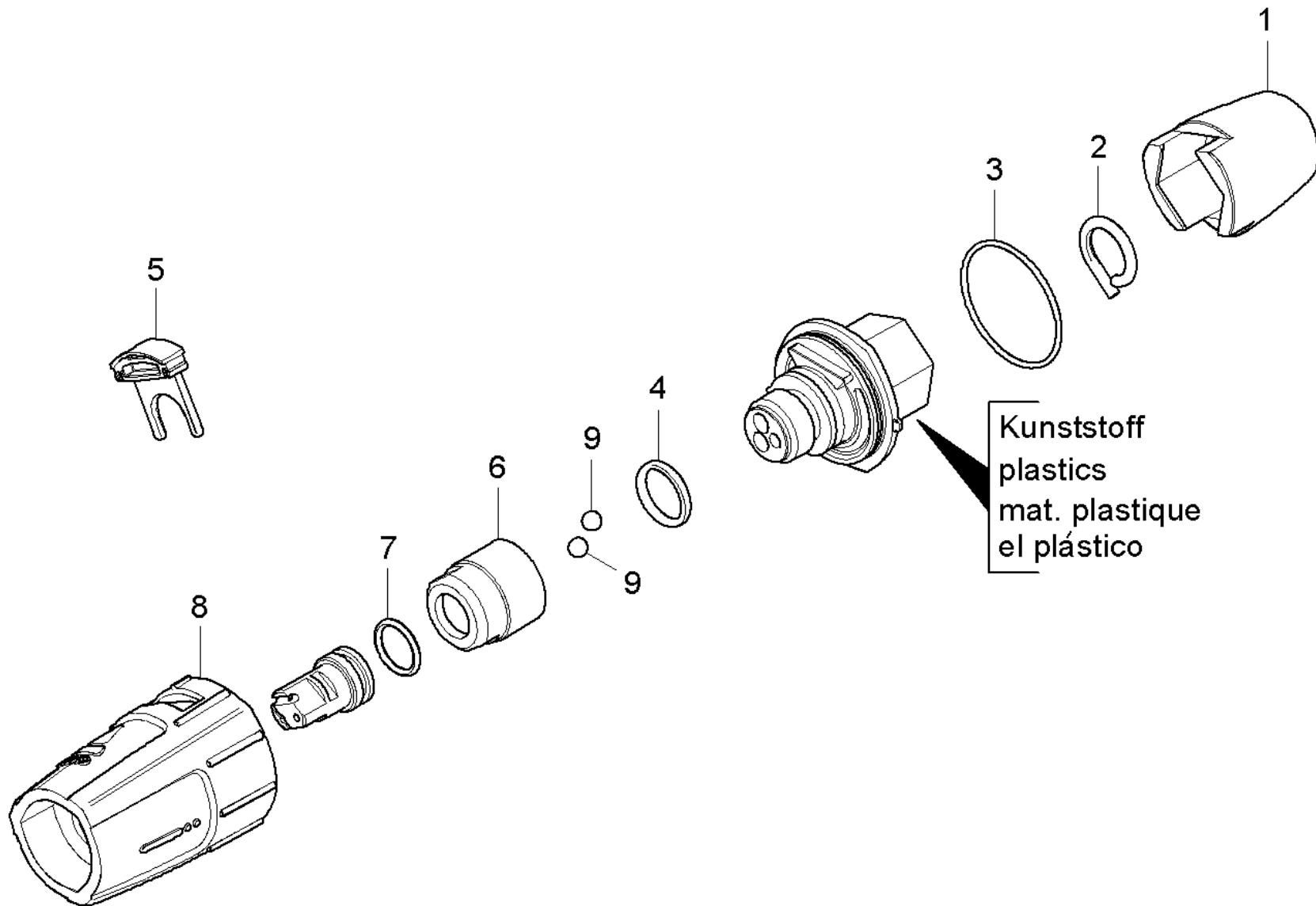
POS	Article no.	Description	Quantity	Unit
1	5.394-530.0	Protection part complete	1	PC
2	6.343-150.0	Pin 03	1	PC
3	6.362-409.0	O-Ring seal 32,0 X 1,5	1	PC
4	6.362-460.0	O-Ring seal 14,0 X 2,5-NBR 70	1	PC
5	5.321-884.0	Clamp	1	PC
6	5.311-225.0	Nut	1	PC
7	6.362-480.0	O-Ring seal 12,42x 1,78	1	PC
8	5.394-859.0	Protection part	1	PC
9	7.401-902.0	Sphere 5 G20 -1.4034 DIN 5401	2	PC

Triple jet nozzle replacement 036 (4.767-148.0)

POS	Article no.	Description	Quantity	Unit
2	5.970-837.0	Spare parts list triple jet nozzle	1	PC

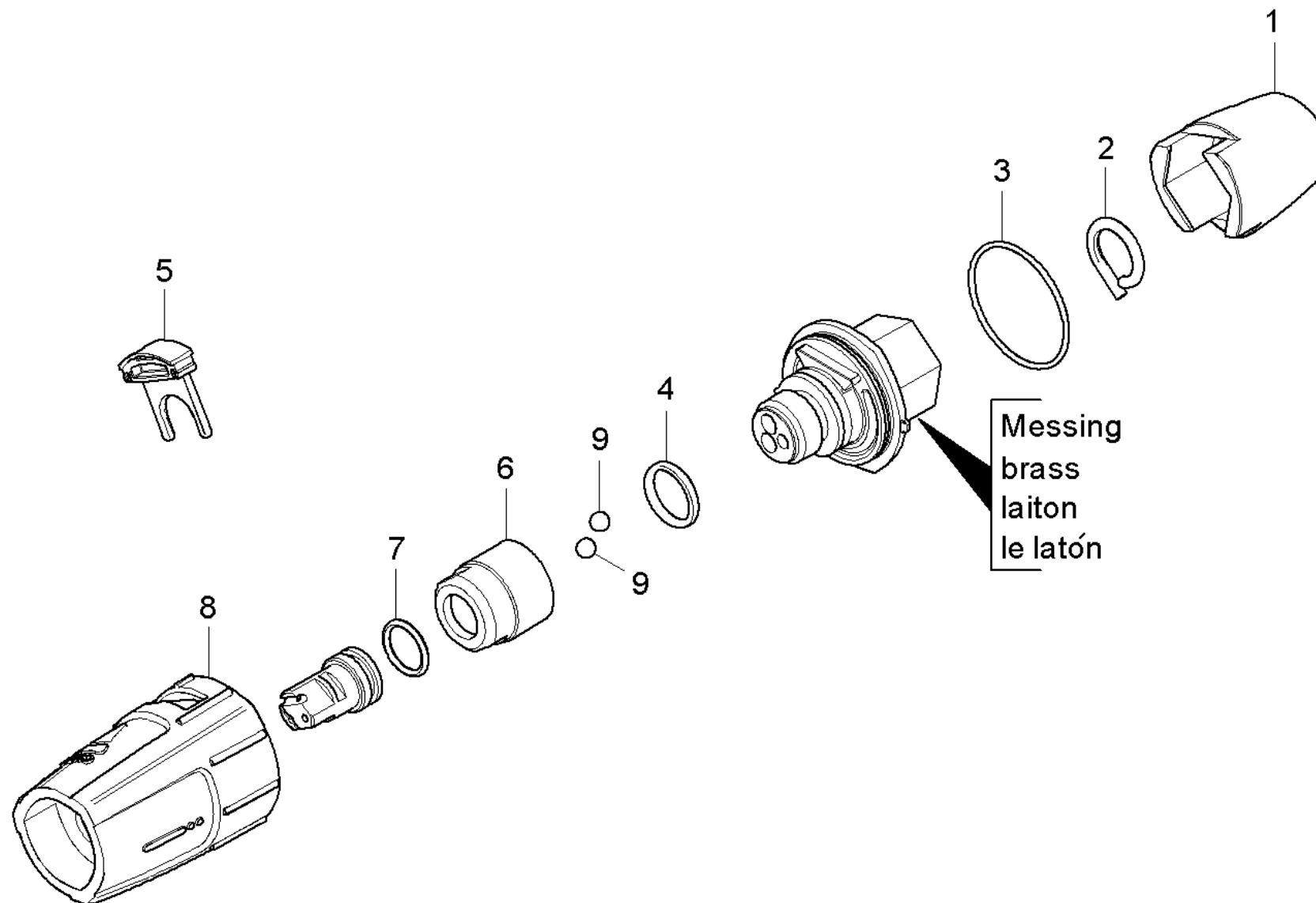
2 Spare parts list triple jet nozzle (5.970-837.0)

POS	Description	Quantity	Unit
10	Triple jet nozzle plastics	1	PC
20	Triple jet nozzle brass	1	PC



10 Triple jet nozzle plastics

POS	Article no.	Description	Quantity	Unit
1	5.394-530.0	Protection part complete	1	PC
2	6.343-150.0	Pin 03	1	PC
3	6.362-409.0	O-Ring seal 32,0 X 1,5	1	PC
4	7.362-039.0	O-Ring seal 15,5x1,5 -NBR70 DIN 3771	1	PC
5	5.321-884.0	Clamp	1	PC
6	5.311-236.0	Nut	1	PC
7	6.362-480.0	O-Ring seal 12,42x 1,78	1	PC
8	5.394-874.0	Protection part	1	PC
9	7.401-902.0	Sphere 5 G20 -1.4034 DIN 5401	2	PC

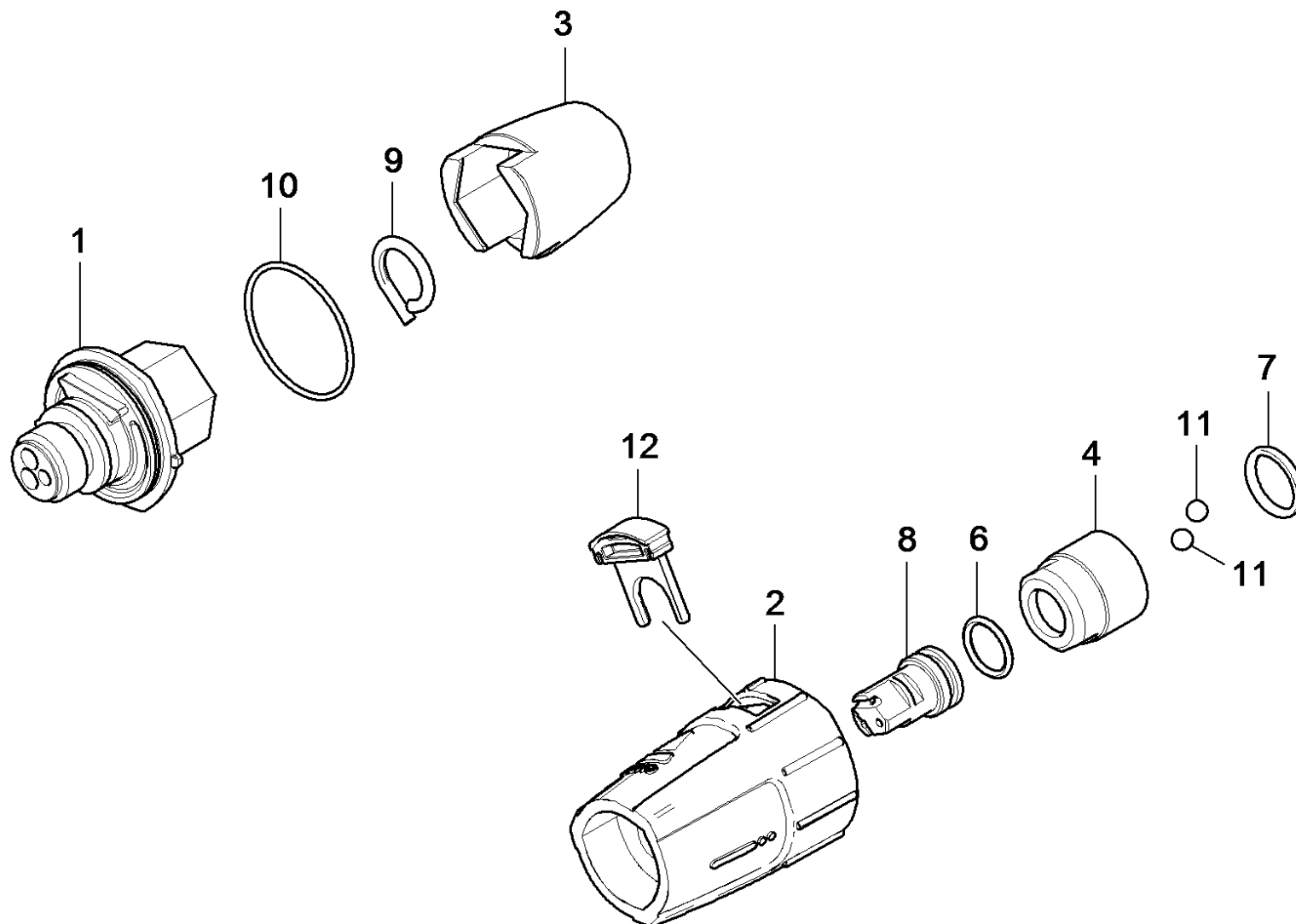


20 Triple jet nozzle brass

POS	Article no.	Description	Quantity	Unit
1	5.394-530.0	Protection part complete	1	PC
2	6.343-150.0	Pin 03	1	PC
3	6.362-409.0	O-Ring seal 32,0 X 1,5	1	PC
4	6.362-460.0	O-Ring seal 14,0 X 2,5-NBR 70	1	PC
5	5.321-884.0	Clamp	1	PC
6	5.311-225.0	Nut	1	PC
7	6.362-480.0	O-Ring seal 12,42x 1,78	1	PC
8	5.394-859.0	Protection part	1	PC
9	7.401-902.0	Sphere 5 G20 -1.4034 DIN 5401	2	PC

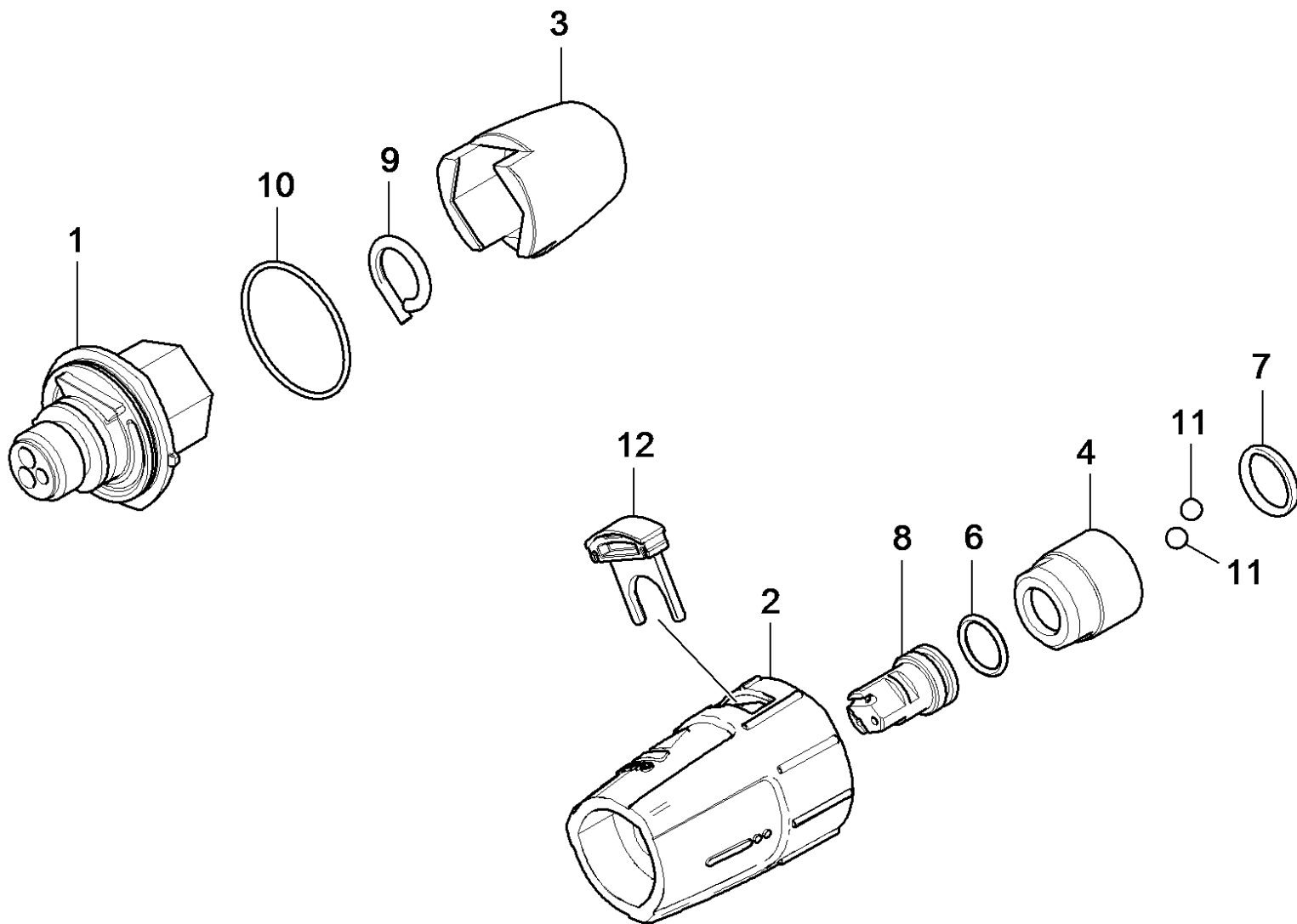
Triple jet nozzle only for replacement 0 (4.767-150.0)

POS	Article no.	Description	Quantity	Unit
1	4.767-136.0	Triple jet nozzle 040	1	PC



1 Triple jet nozzle 040 (4.767-136.0)

POS	Article no.	Description	Quantity	Unit
2	5.394-859.0	Protection part	1	PC
3	5.394-530.0	Protection part complete	1	PC
4	5.311-225.0	Nut	1	PC
6	6.362-480.0	O-Ring seal 12,42x 1,78	1	PC
7	6.362-460.0	O-Ring seal 14,0 X 2,5-NBR 70	1	PC
8	5.415-603.0	Triple jet nozzle 040	1	PC
9	6.343-150.0	Pin 03	1	PC
10	6.362-409.0	O-Ring seal 32,0 X 1,5	1	PC
11	7.401-902.0	Sphere 5 G20 -1.4034 DIN 5401	2	PC
12	5.321-884.0	Clamp	1	PC



Triple jet nozzle only for replacement 0 (4.767-152.0)

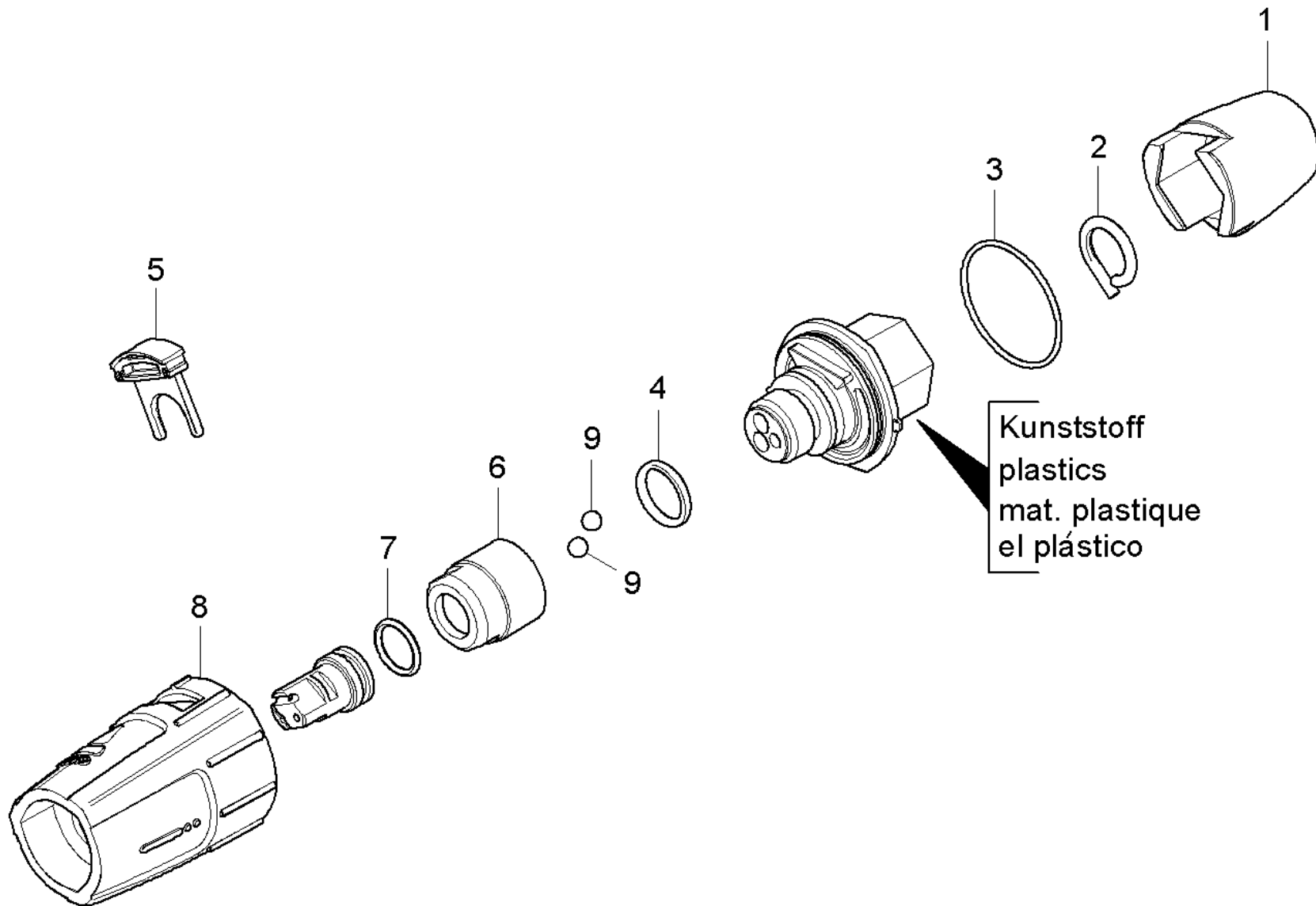
POS	Article no.	Description	Quantity	Unit
1		Distributor	1	PC
2	5.394-859.0	Protection part	1	PC
3	5.394-530.0	Protection part complete	1	PC
4	5.311-225.0	Nut	1	PC
6	6.362-480.0	O-Ring seal 12,42x 1,78	1	PC
7	6.362-460.0	O-Ring seal 14,0 X 2,5-NBR 70	1	PC
8	5.415-605.0	Triple jet nozzle 043	1	PC
9	6.343-150.0	Pin 03	1	PC
10	6.362-409.0	O-Ring seal 32,0 X 1,5	1	PC
11	7.401-902.0	Sphere 5 G20 -1.4034 DIN 5401	2	PC
12	5.321-884.0	Clamp	1	PC

Triple jet nozzle only for replacement 0 (4.767-153.0)

POS	Article no.	Description	Quantity	Unit
2	5.970-837.0	Spare parts list triple jet nozzle	1	PC

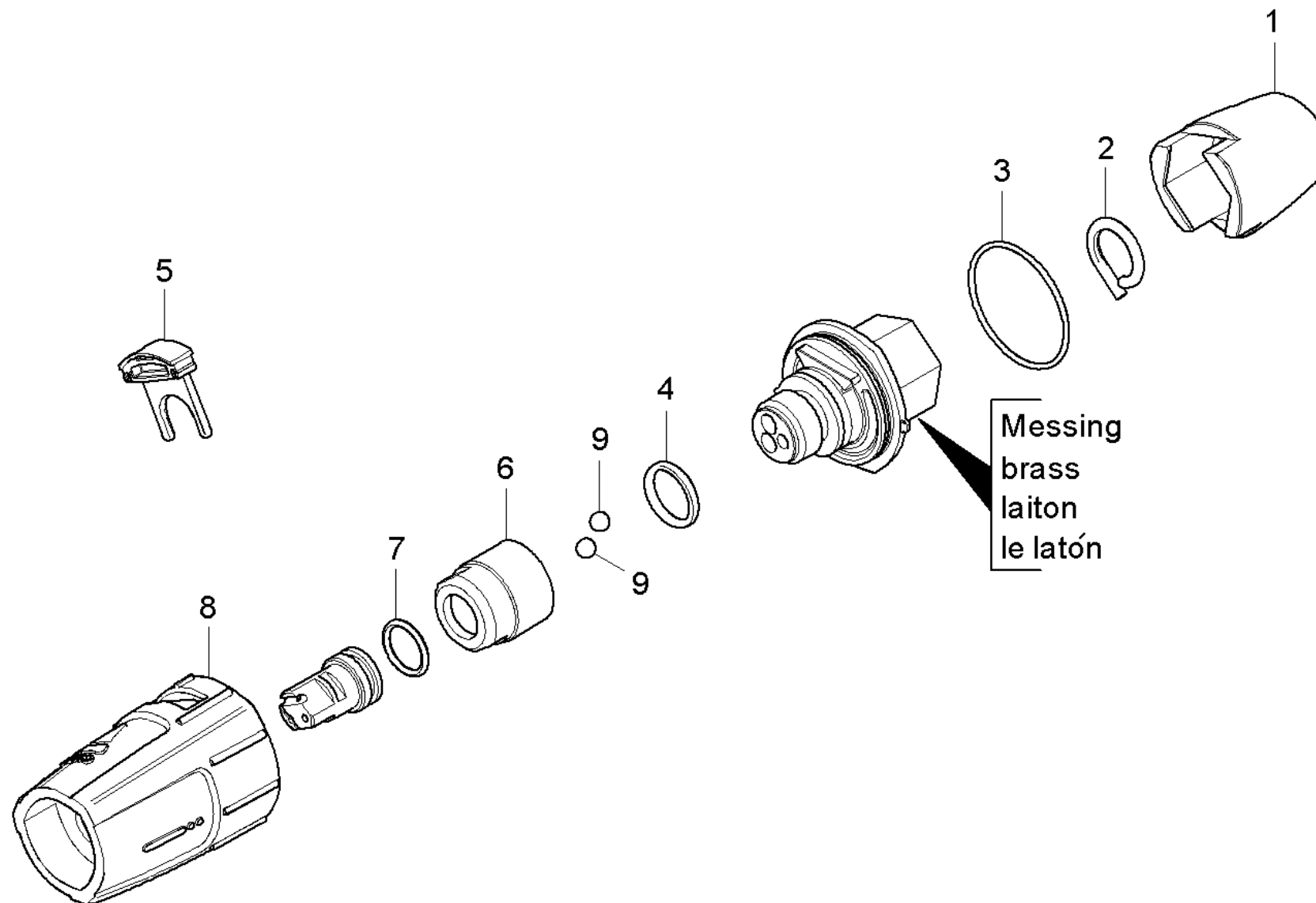
2 Spare parts list triple jet nozzle (5.970-837.0)

POS	Description	Quantity	Unit
10	Triple jet nozzle plastics	1	PC
20	Triple jet nozzle brass	1	PC



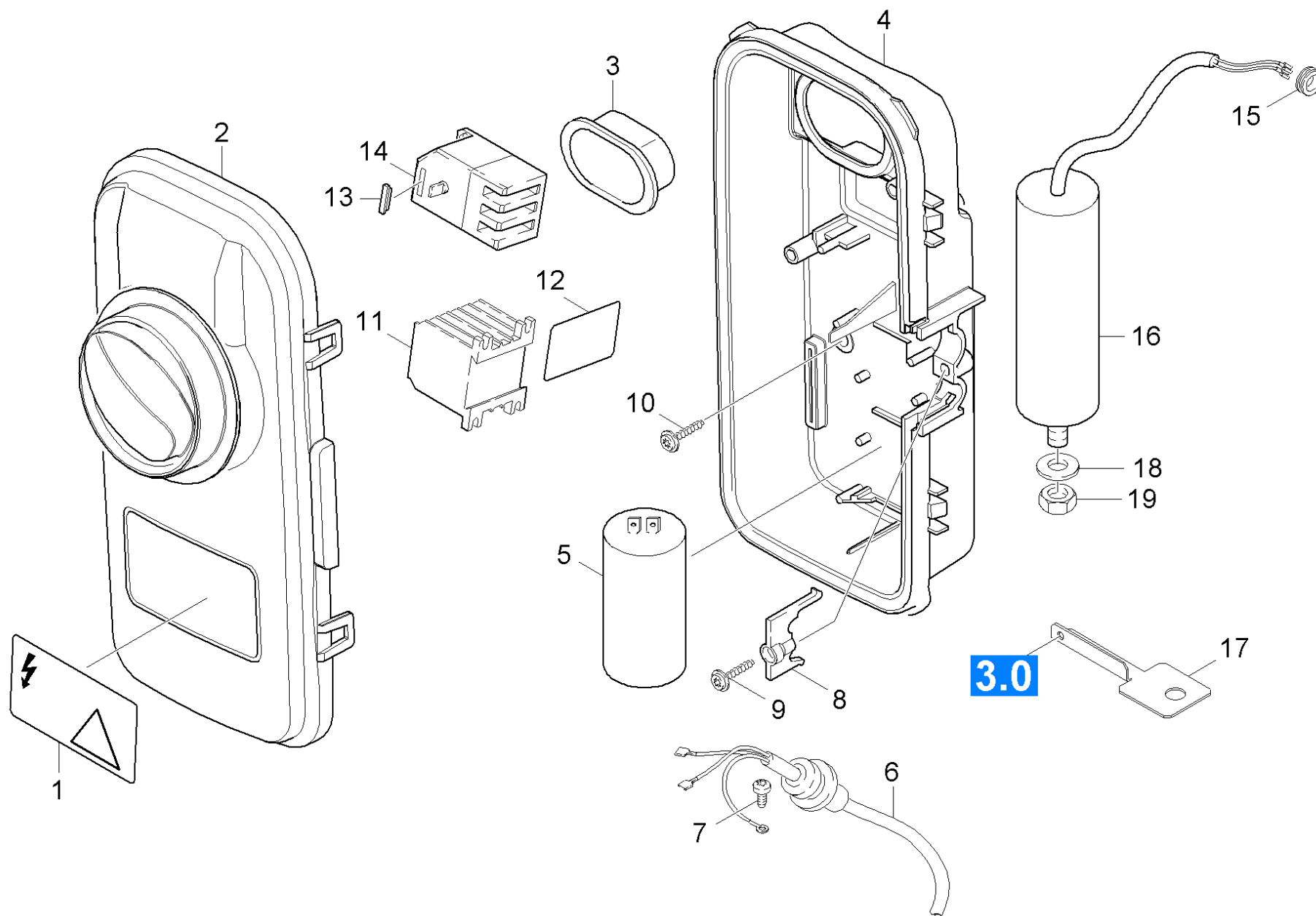
10 Triple jet nozzle plastics

POS	Article no.	Description	Quantity	Unit
1	5.394-530.0	Protection part complete	1	PC
2	6.343-150.0	Pin 03	1	PC
3	6.362-409.0	O-Ring seal 32,0 X 1,5	1	PC
4	7.362-039.0	O-Ring seal 15,5x1,5 -NBR70 DIN 3771	1	PC
5	5.321-884.0	Clamp	1	PC
6	5.311-236.0	Nut	1	PC
7	6.362-480.0	O-Ring seal 12,42x 1,78	1	PC
8	5.394-874.0	Protection part	1	PC
9	7.401-902.0	Sphere 5 G20 -1.4034 DIN 5401	2	PC



20 Triple jet nozzle brass

POS	Article no.	Description	Quantity	Unit
1	5.394-530.0	Protection part complete	1	PC
2	6.343-150.0	Pin 03	1	PC
3	6.362-409.0	O-Ring seal 32,0 X 1,5	1	PC
4	6.362-460.0	O-Ring seal 14,0 X 2,5-NBR 70	1	PC
5	5.321-884.0	Clamp	1	PC
6	5.311-225.0	Nut	1	PC
7	6.362-480.0	O-Ring seal 12,42x 1,78	1	PC
8	5.394-859.0	Protection part	1	PC
9	7.401-902.0	Sphere 5 G20 -1.4034 DIN 5401	2	PC



50 Electric box

POS	Article no.	Description	Quantity	Unit
1	5.388-512.0	Label	1	PC
2	4.744-166.0	Switch complete	1	PC
	Item text1: 1.150-602.0 / -622.0			
2	4.744-266.0	Switch complete	1	PC
	Item text1: 1.150-601.0 /-603.0 /-604.0 /-606.0 /-607.0 /-608.0 /-612.0 /-613.0 /-619.0 /1.214-120.0 /-122.0 /-123.0			
2	4.063-810.0	Cover completely	1	PC
	Item text1: 1.151-601.0/-602.0/-603.0/-604.0/-605.0 /-606.0/-607.0/-608.0/-612.0 / 1.150-609.0 /-615.0 1.214-121.0/			
3	5.365-181.0	Profile gasket	1	PC
4	5.061-000.0	Housing	1	PC
4	5.064-242.0	Housing with bore	1	PC
	Item text1: 1.150-609.0 /-615.0 /1.214-121.0 /			
5	6.661-158.0	Capacitor 40µF	1	PC
	Item text1: 1.150-601.0 /-602.0 /-603.0 /-604.0 /-606.0 /-607.0 1.150-608.0 /-618.0 /-619.0 /-622.0 /1.214-120.0/-122.0 /-123.0			
5	7.777-999.0	Stockpiling discontinued	1	PC
	Item text1: 1.150-612.0			
6	6.649-400.0	Cable with plug *AR	1	PC
	Item text1: 1.150-613.0			
6	6.649-737.0	Cable with plug *CN H07 RN-F 3G1,5/5,7m	1	PC
	Item text1: 1.150-606.0			
6	6.649-424.0	Cable with plug	1	PC
	Item text1: 1.150-609.0 /-615.0 /1.214-121.0			
6	6.649-401.0	Cable without plug	1	PC
	Item text1: 1.150-612.0			
6	6.649-943.0	Cable with plug CH	1	PC
	Item text1: 1.150-602.0 / -622.0			
6	6.649-350.3	Cable complete	1	PC
	Item text1: 1.151-605.0 / -606.0			
6	6.649-237.0	Cable with plug *AU	1	PC
	Item text1: 1.150-619.0			
6	6.649-185.0	Cable without plug	1	PC
	Item text1: 1.151-602.0 / -604.0 / -607.0 / -608.0			
6	6.649-134.3	Cable with plug	1	PC
	Item text1: 1.151-601.0 /-603.0 /-612.0			

50 Electric box

POS	Article no.	Description	Quantity	Unit
6	6.648-977.3	Cable with plug *GB	1	PC
	Item text1: 1.150-604.0			
6	6.648-906.3	Cable with plug	1	PC
	Item text1: 1.150-601.0 /-603.0 /-607.0 /-608.0 /			
	Item text2: 1.214-120.0 /-122.0 /-123.0			
7	7.303-031.0	Screw M4x10 -St-P2R (In6Rd)	1	PC
8	5.263-051.0	Tensioning part	1	PC
9	7.303-109.0	Screw 5x25 -10.9-R2R (In6Rd)	1	PC
10	6.303-153.0	Screw M5x15-ST-R2R (IN6RD)	3	PC
11	6.632-421.0	Contacteur 7,5 kW / 220 V	1	PC
	Item text1: 1.150-609.0 /-615.0 / 1.214-121.0 /			
11	6.632-309.0	Contacteur 110 V	1	PC
	Item text1: 1.150-612.0			
11	6.632-281.0	Contacteur 50/60 Hz	1	PC
	Item text1: 1.151-602.0 / -604.0 / -605.0 / -606.0 /			
	Item text2: -608.0			
11	6.632-173.0	Contacteur 4,0KW/400V	1	PC
	Item text1: 1.151-601.0 / -603.0 / -607.0 / -612.0			
12	5.048-251.0	Plate	1	PC
	Item text1: 1.151-601.0 / -602.0/ -603.0/ -604.0 -605.0/ -606.0/ -607.0 / -612.0 / 1.214-121.0/			
13	6.630-049.0	Cap	1	PC
	Item text1: 1.151-601.0 / -602.0/ -603.0/ -604.0 -605.0/ -606.0/ -607.0/-608.0 /-612.0 /1.214-121.0 /			
14	6.631-190.0	Motor protecting switch	1	PC
	Item text1: 1.151-601.0 / -602.0/ -603.0/ -604.0			
	Item text2: -605.0/ -606.0 /-608.0 /-612.0			
14	6.631-196.0	Motor protecting switch	1	PC
	Item text1: 1.150-609.0 /-615.0 / 1.214-121.0 /			
14	6.631-199.0	Motor protecting switch	1	PC
	Item text1: 1.151-607.0			
15	6.641-402.0	Wire protecting sleeve	1	PC
	Item text1: 1.150-609.0 /-615.0 / 1.214-121.0 /			
16	6.661-254.3	Capacitor 80 µF	1	PC
	Item text1: 1.150-609.0 /-615.0 / 1.214-121.0 /			

50 Electric box

POS	Article no.	Description	Quantity	Unit
17	5.043-069.0	Holder for capacitor	1	PC
	Item text1: 1.150-609.0 /-615.0 / 1.214-121.0 /			
18	7.311-071.0	Hexagon nut M12-A2-70 ISO 4032	1	PC
	Item text1: 1.150-609.0 /-615.0 / 1.214-121.0 /			
19	7.312-054.0	Washer 12-A2 ISO 7089	1	PC
	Item text1: 1.150-609.0 /-615.0 / 1.214-121.0 /			