

## **Spare parts list**

(1.629-731.0) AD 4 PREMIUM \*EU-II

## Table of contents

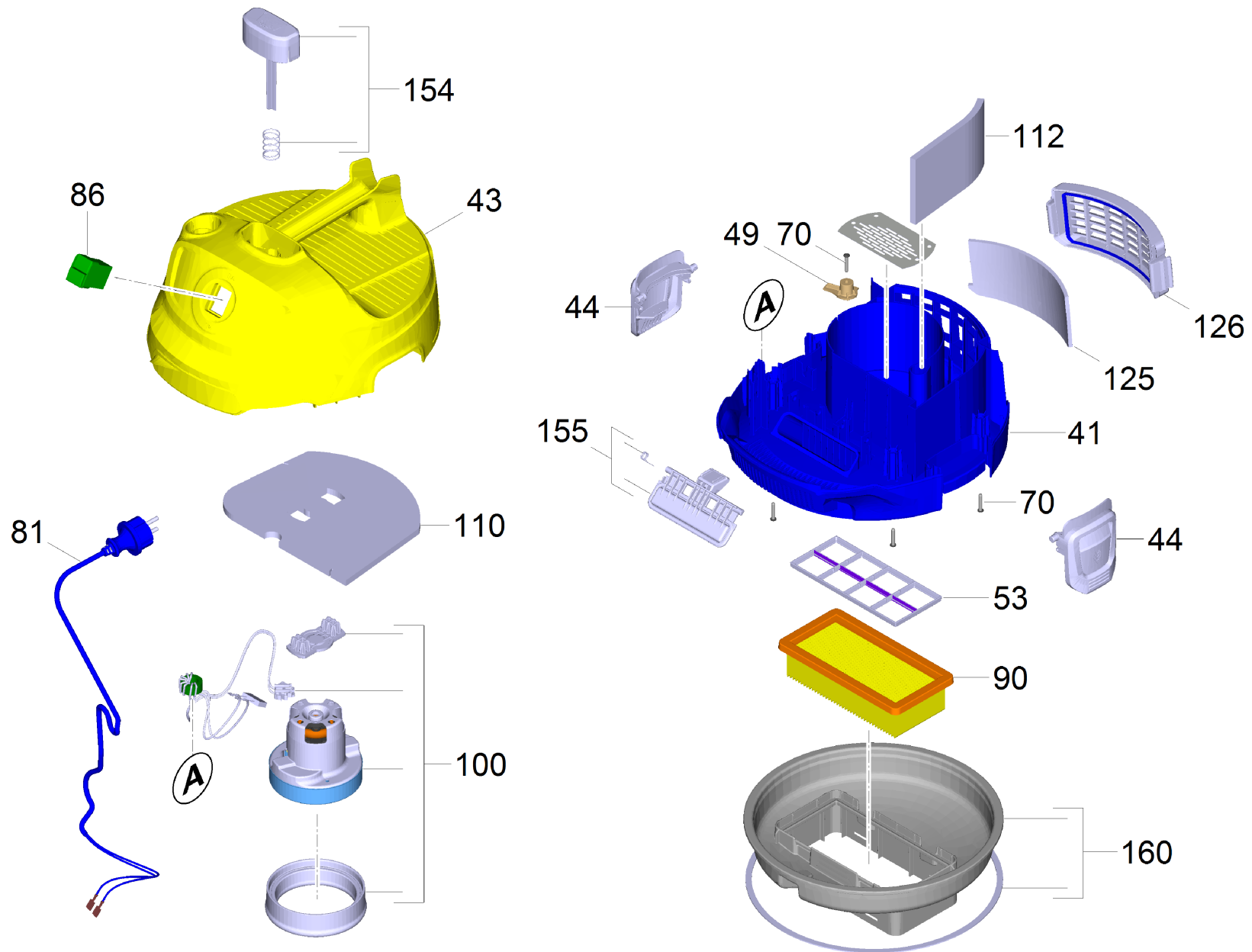
---

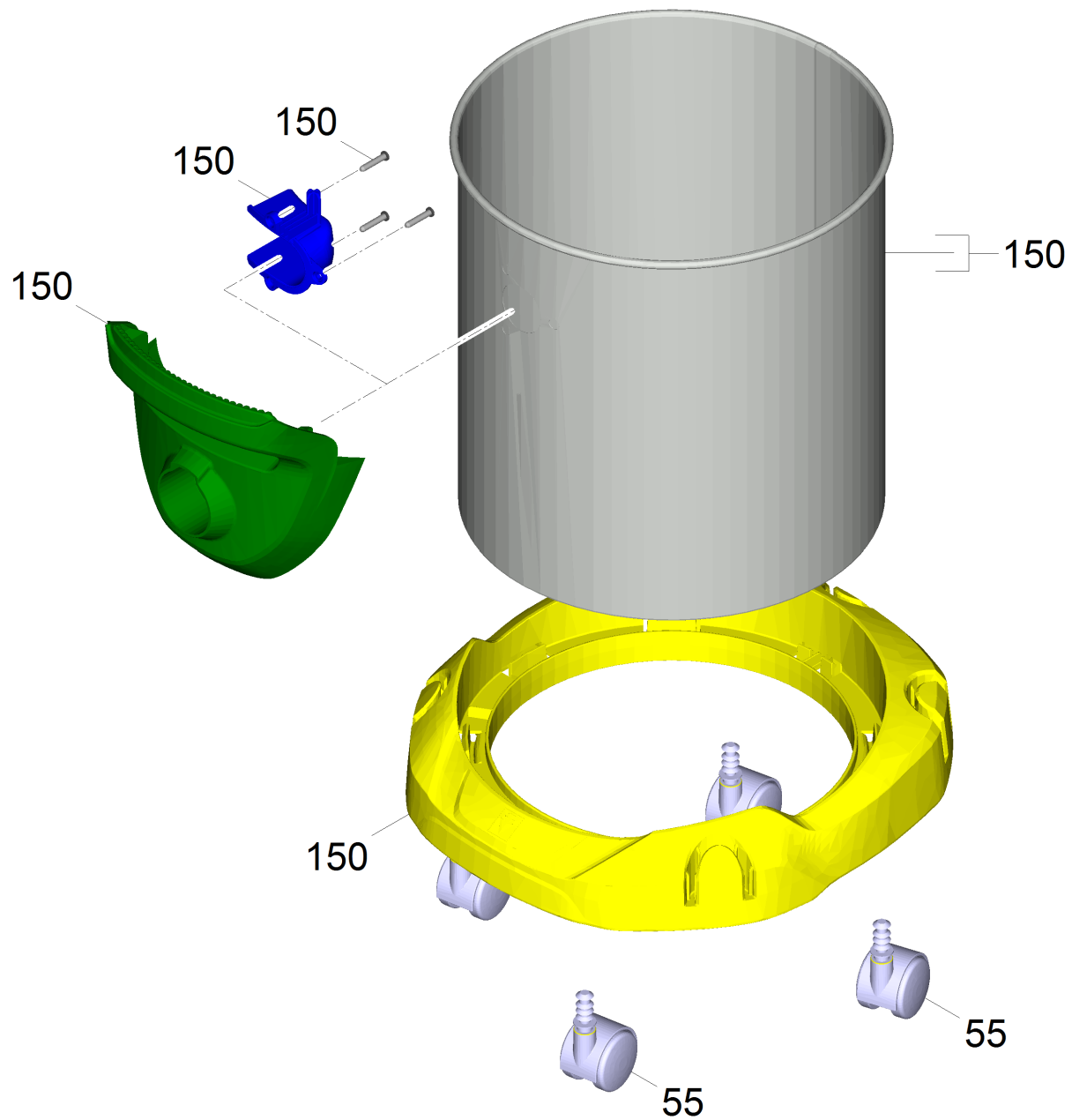
|  |    |
|--|----|
| AD 4 PREMIUM *EU-II (1.629-731.0)                        | 3  |
| 10 Spare parts list AD 4 PREMIUM *EU II (5.974-766.0)    | 4  |
| 100 Vac motor complete 600W Domel DL CU/CU (4.624-350.0) | 8  |
| 150 Tank complete lacquered (4.440-072.0)                | 10 |

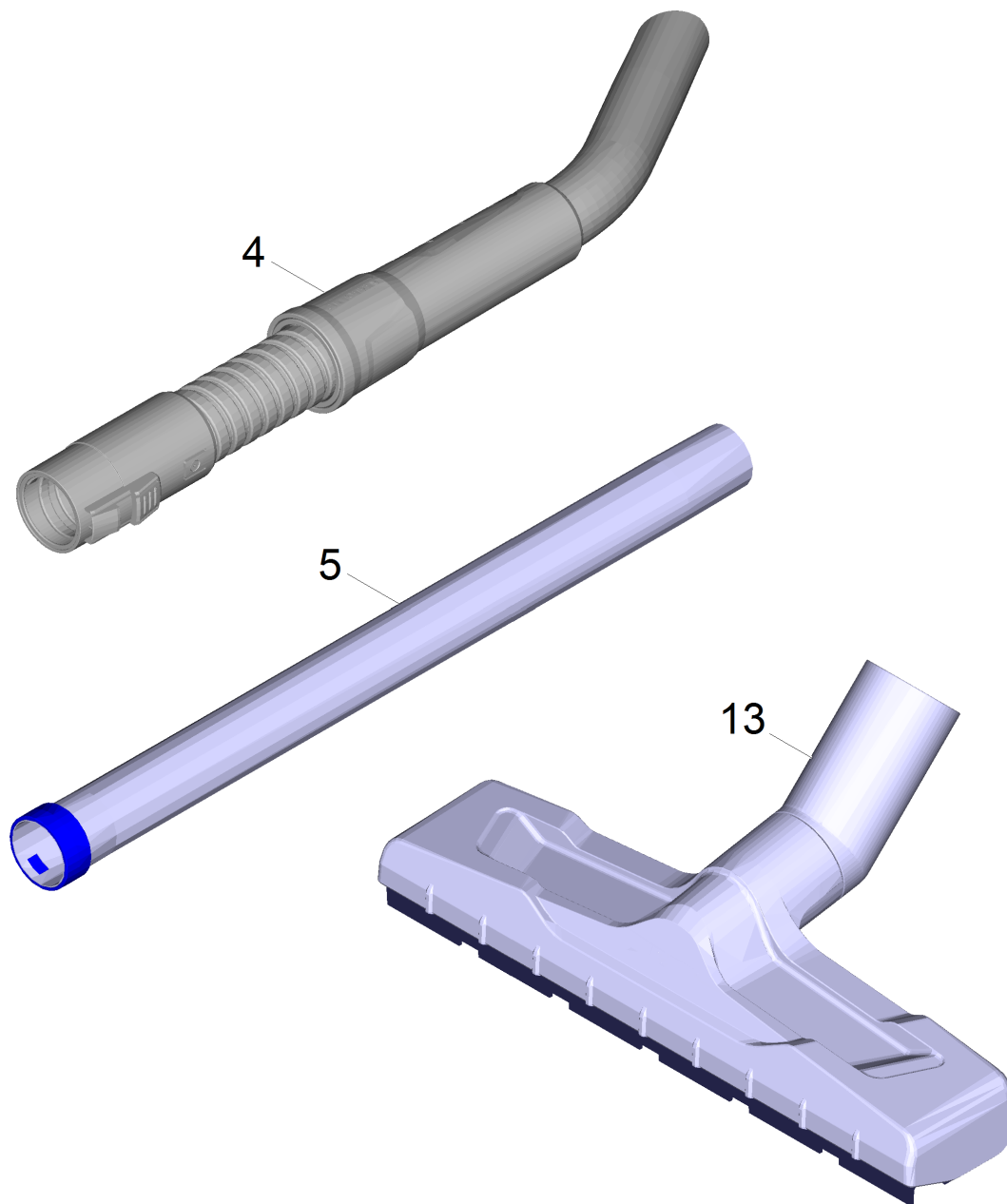
AD 4 PREMIUM \*EU-II (1.629-731.0)

---

| POS | Article no. | Description                          | Quantity | Unit |
|-----|-------------|--------------------------------------|----------|------|
| 10  | 5.974-766.0 | Spare parts list AD 4 PREMIUM *EU II | 1.000    | ST   |

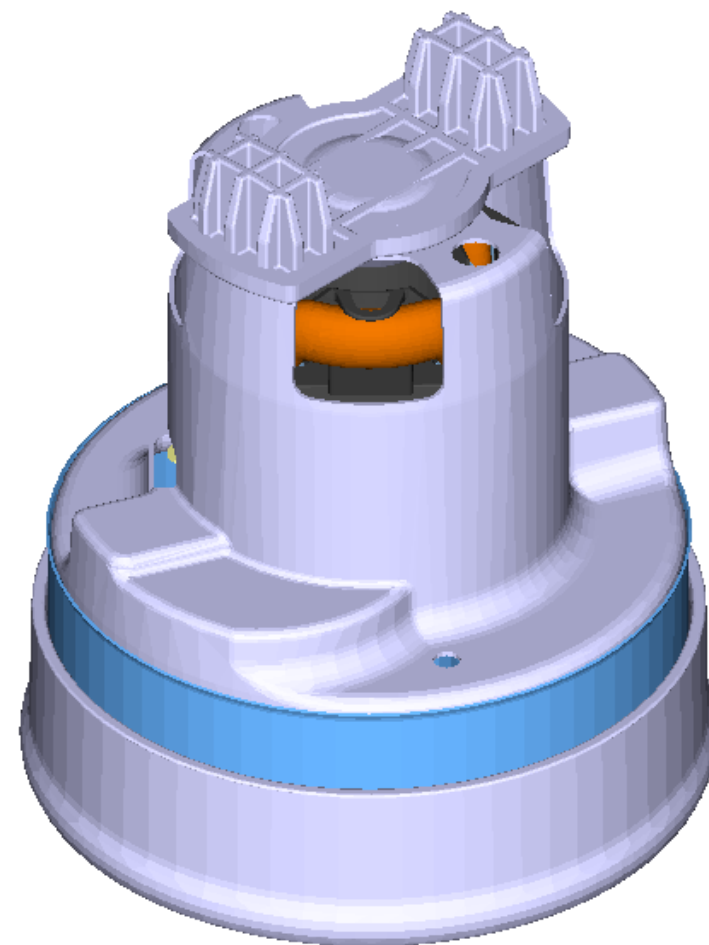
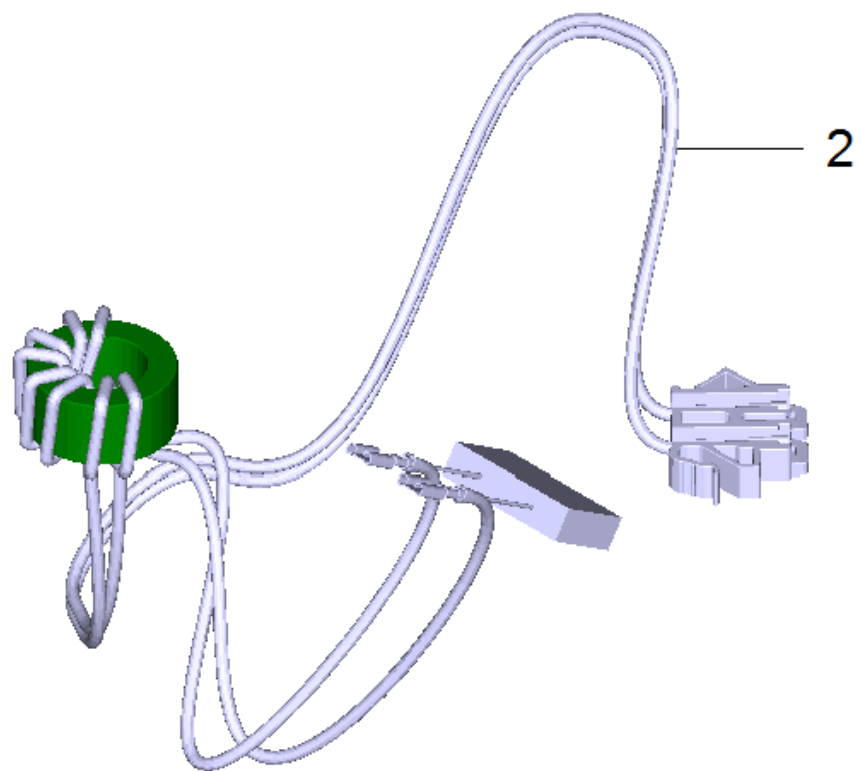






10 Spare parts list AD 4 PREMIUM \*EU II (5.974-766.0)

| POS | Article no. | Description                            | Quantity | Unit |
|-----|-------------|--|----------|------|
| 81  | 6.647-996.0 | Cable with plug *EU Cable with plug    | 1.000    | ST   |
| 55  | 6.435-353.0 | Castor D 42                            | 4.000    | ST   |
| 44  | 5.075-001.0 | Closure                                | 2.000    | ST   |
| 43  | 4.069-052.0 | Cover AD 4 printed                     | 1.000    | ST   |
| 125 | 2.863-262.0 | Exhaust air filter AD 2pc.             | 1.000    | ST   |
| 53  | 9.037-946.0 | Filter frame                           | 1.000    | ST   |
| 90  | 6.415-953.0 | Flat-pleated filter AD                 | 1.000    | ST   |
| 13  | 4.629-021.0 | Floor tool complete AD                 | 1.000    | ST   |
| 110 | 5.731-030.0 | Foam cover                             | 1.000    | ST   |
| 112 | 5.731-038.0 | Foam motor bracket                     | 1.000    | ST   |
| 126 | 5.032-093.0 | Grate exhaust air                      | 1.000    | ST   |
| 41  | 5.053-007.0 | Motor bracket AD                       | 1.000    | ST   |
| 160 | 4.440-074.0 | Retainer filter complete               | 1.000    | ST   |
| 70  | 6.303-150.0 | Screw 4,2x 22                          | 5.000    | ST   |
| 5   | 2.643-464.0 | Set suction tube                       | 1.000    | ST   |
| 154 | 4.071-263.0 | Spare parts set pushbutton             | 1.000    | ST   |
| 155 | 4.071-262.0 | Spare parts set valve                  | 1.000    | ST   |
| 49  | 5.033-036.0 | Strain relief                          | 1.000    | ST   |
| 4   | 4.440-046.0 | Suction hose complete DN35             | 1.000    | ST   |
| 86  | 6.630-087.0 | Switch                                 | 1.000    | ST   |
| 150 | 4.440-072.0 | Tank complete lacquered                | 1.000    | ST   |
| 100 | 4.624-350.0 | Vac motor complete 600W Domel DL CU/CU | 1.000    | ST   |



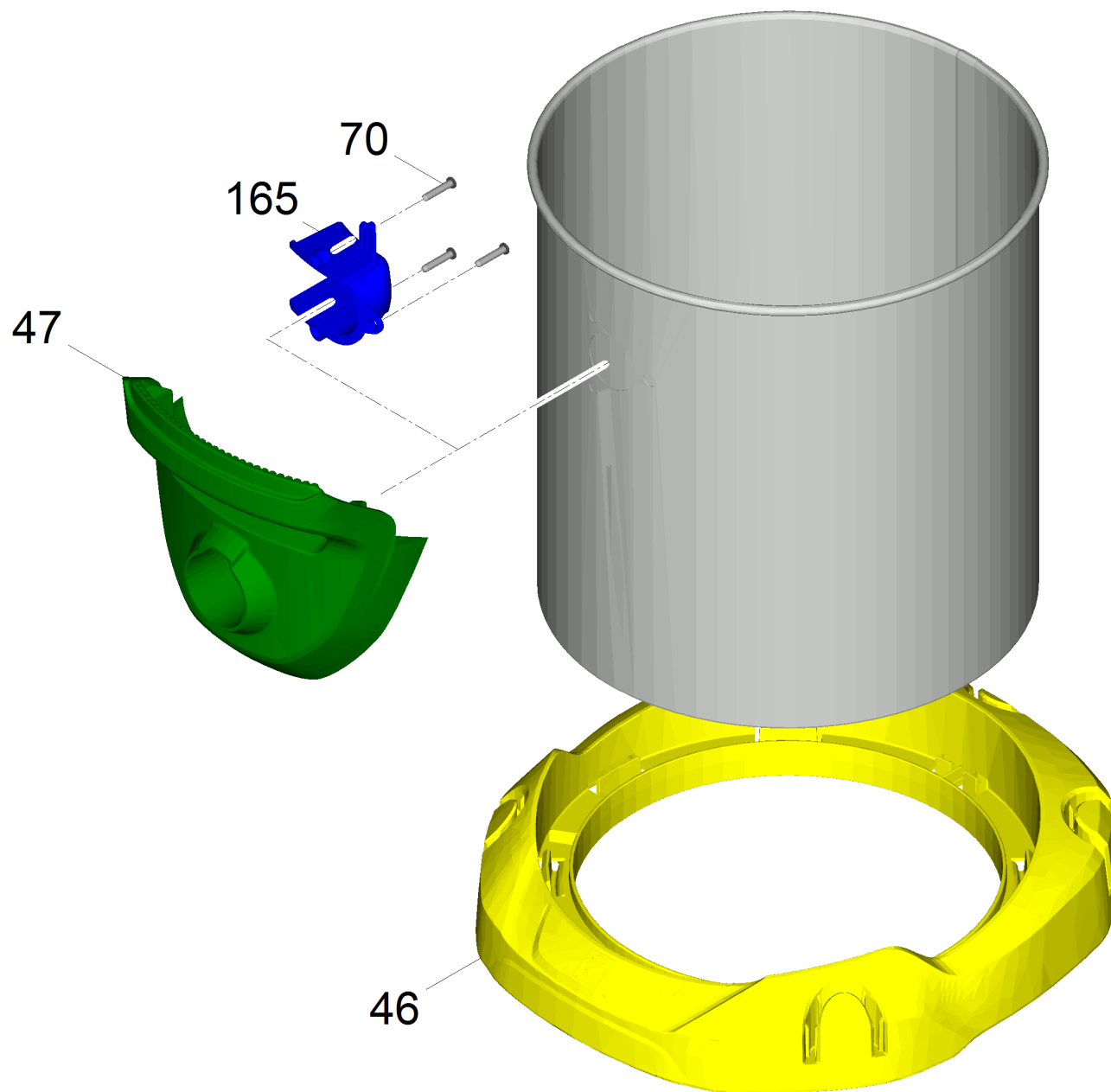


100 Vac motor complete 600W Domel DL CU/CU (4.624-350.0)

---

| POS | Article no. | Description                     | Quantity | Unit |
|-----|-------------|---------------------------------|----------|------|
| 2   | 4.649-108.0 | Cable ferrite ring complete AD4 | 1.000    | ST   |

---



150 Tank complete lacquered (4.440-072.0)

---

| <b>POS</b> | <b>Article no.</b> | <b>Description</b>        | <b>Quantity</b> | <b>Unit</b> |
|------------|--------------------|---------------------------|-----------------|-------------|
| 46         | 5.032-092.0        | Ram protection            | 1.000           | ST          |
| 70         | 6.303-150.0        | Screw 4,2x 22             | 3.000           | ST          |
| 47         | 5.051-698.0        | Suction connection        | 1.000           | ST          |
| 165        | 5.051-320.0        | Tube aspiration deflector | 1.000           | ST          |