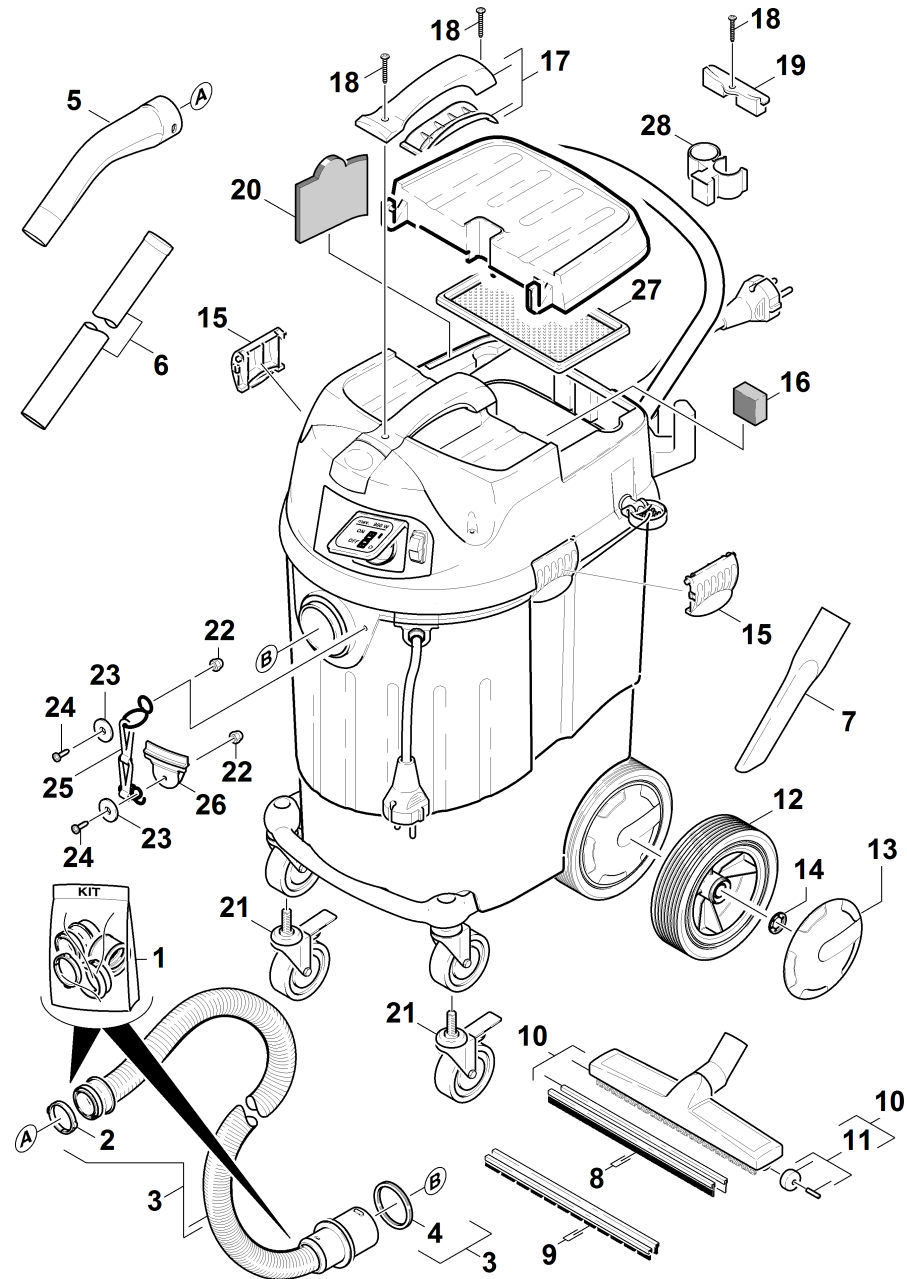


4 Short spare parts list

Professional \ Vacuum cleaner \ Wet-/dry vacuum cleaner \ NT 611 Eco K *EU (Boels) \ Short spare parts list

KÄRCHER



4 Short spare parts list

Professional \ Vacuum cleaner \ Wet-/dry vacuum cleaner \ NT 611 Eco K *EU (Boels) \ Short spare parts list

KÄRCHER

POS	Article no.	Description	Quantity	Unit
9	6.905-878.0	Brush strips set only for replacement	1.000	ST
27	6.904-287.0	Bulk waste filter	1.000	ST
22	7.311-399.0	Cap nut M4 -CuZn-E2E DIN 1587	2.000	ST
21	6.435-384.0	Castor with brake 75	2.000	ST
25	6.391-234.0	Chain with hook	1.000	ST
19	5.031-975.0	Covering cap holder accessories	1.000	ST
7	6.903-033.0	Crevice nozzle DN40	1.000	ST
5	5.031-904.0	Elbow	1.000	ST
16	6.904-191.0	Filter cooling air outlet	1.000	ST
20	6.904-215.0	Filter working air 3St. Kae	1.000	ZSA
10	6.907-408.0	Floor tool packaged basalt grey DN40	1.000	ST
17	4.321-122.0	Handhold complete	1.000	ST
28	5.031-962.0	Holder accessories insert DN40	1.000	ST
26	5.032-143.0	Insert RAL 2004	1.000	ST
4	6.273-009.0	Joint ring EPDM	1.000	ST
15	5.031-601.0	Locking clip	2.000	ST
14	6.343-168.0	Lock washer	2.000	ST
1	2.639-873.0	Repair set	1.000	ST
11	4.515-342.0	Roller complete with axle	2.000	ST
8	6.905-877.0	Rubber lip set only for replacement	1.000	ST
18	7.303-154.0	Screw 5x50 -A2-70 (In6Rd)	3.000	ST
24	7.306-206.0	Screw M4x10 -A2-70 ISO 14583	2.000	ST
3	4.440-678.0	Suction hose complete C DN40-4000mm	1.000	ST
6	6.902-081.0	Suction tube DN40	1.000	ST
2	5.031-905.0	Tension ring C40	2.000	ST
23	7.312-293.0	Washer 4-A2 ISO 7093-1	2.000	ST
13	6.435-301.0	Wheel cap neutrally	2.000	ST
12	6.435-196.0	Wheel D 180	2.000	ST