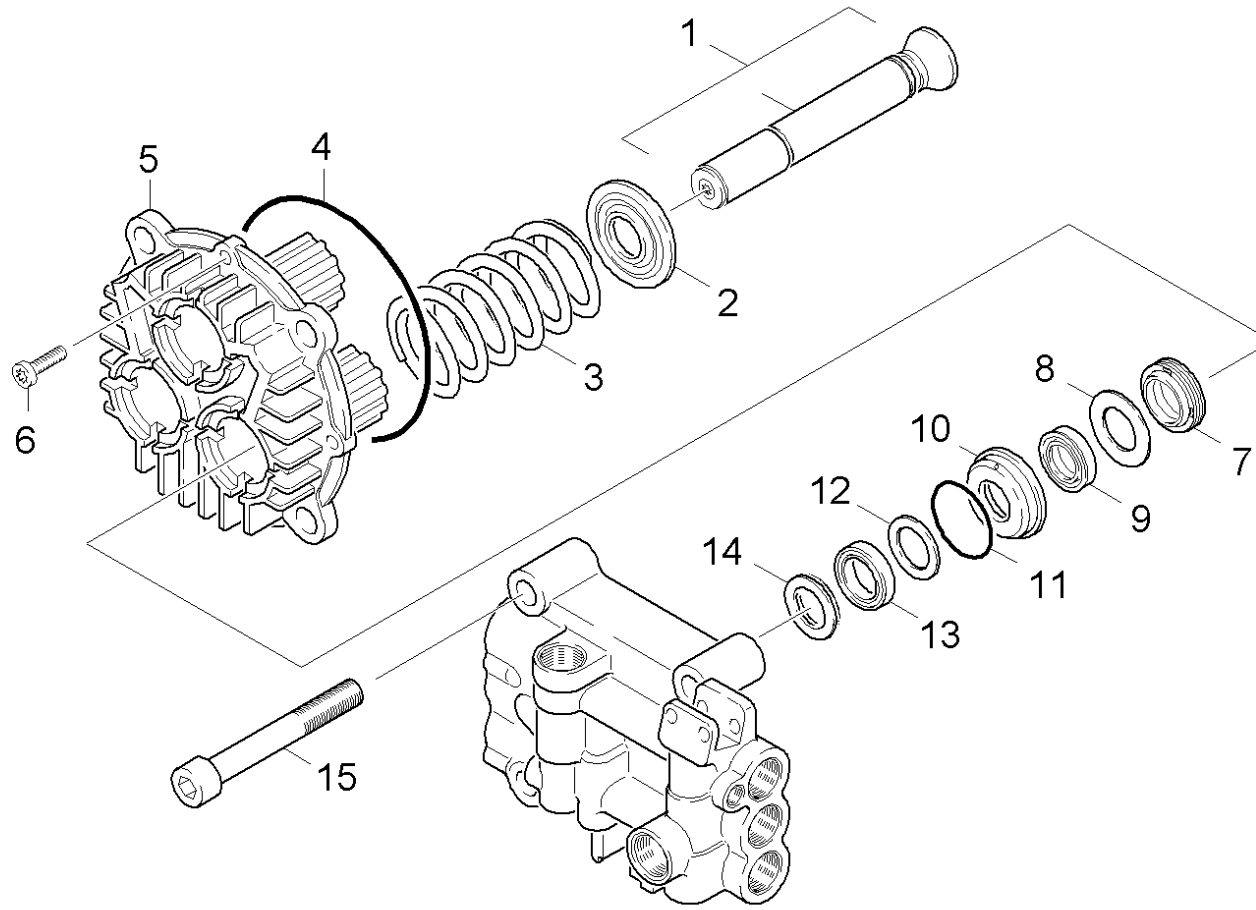


22 Piston

Professional \ High pressure cleaner cold water \ Electric motor \ HD 10/25-4 S Plus *EU-I \ Spare parts list HD 10/25-4S Plus *EU-I \ Pump set \ Piston



22 Piston

Professional \ High pressure cleaner cold water \ Electric motor \ HD 10/25-4 S Plus *EU-I \ Spare parts list HD 10/25-4S Plus *EU-I \ Pump set \ Piston

KÄRCHER

POS	Article no.	Description	Quantity	Unit
1	4.553-282.0	Piston complete only for replacement	3.000	ST
2	5.115-991.0	Washer	3.000	ST
3	5.332-187.0	Helical spring	3.000	ST
4	6.363-228.0	O-Ring seal 114 x 3	1.000	ST
5	5.060-936.3	Thrust guidance D 20	1.000	ST
6	7.306-094.0	Screw M6x25 -8.8-R3R (In6Rd)	2.000	ST
7	6.365-052.0	Grooved ring 20X28X6/8	3.000	ST
8	5.115-537.0	Washer	3.000	ST
9	6.365-380.0	Set of gaskets low-pressure	3.000	ST
10	5.112-713.3	Bush	3.000	ST
11	6.362-092.0	O-Ring seal 36,0 X 2,0-NBR 70	3.000	ST
12	5.115-538.0	Washer	3.000	ST
13	6.365-377.0	Grooved ring 20x30x6	3.000	ST
14	6.365-378.0	Supportring 20x30x4,2	3.000	ST
15	7.306-091.0	Cylinder head screw M12x90- 8.8-A3E ISO	4.000	ST