

Spare parts list

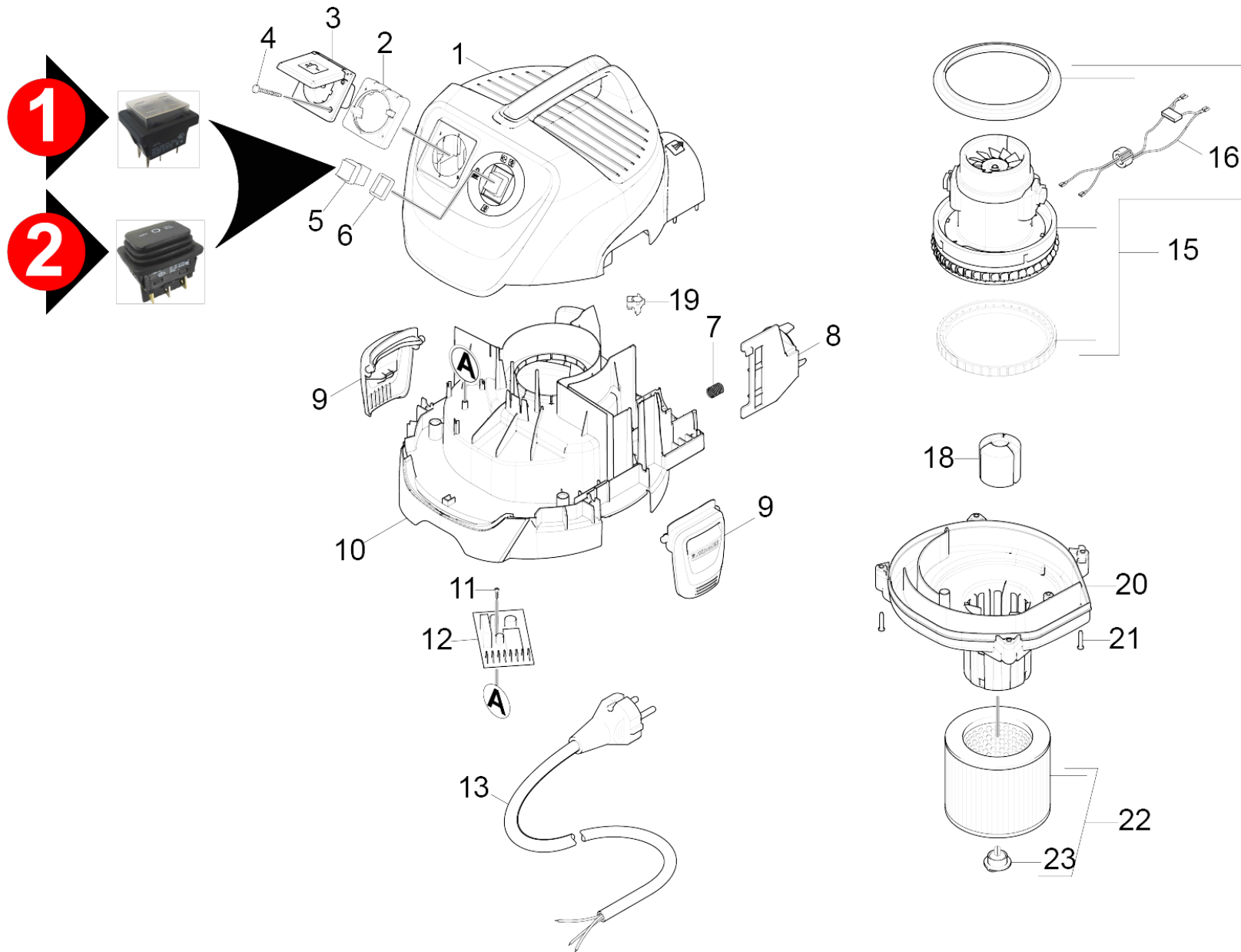
(1.629-886.0) WD 3 P Workshop *EU-II

Table of contents

WD 3 P Workshop *EU-II (1.629-886.0)	3
10 Appliance individual parts	4
15 Vacuum motor complete for replacement Cu (4.490-000.0)	6
22 Cartridge filter WD/SE (6.414-552.0)	8
20 Tank	10
1 Tank plastics packaged (4.440-010.0)	12
30 Accessories	14

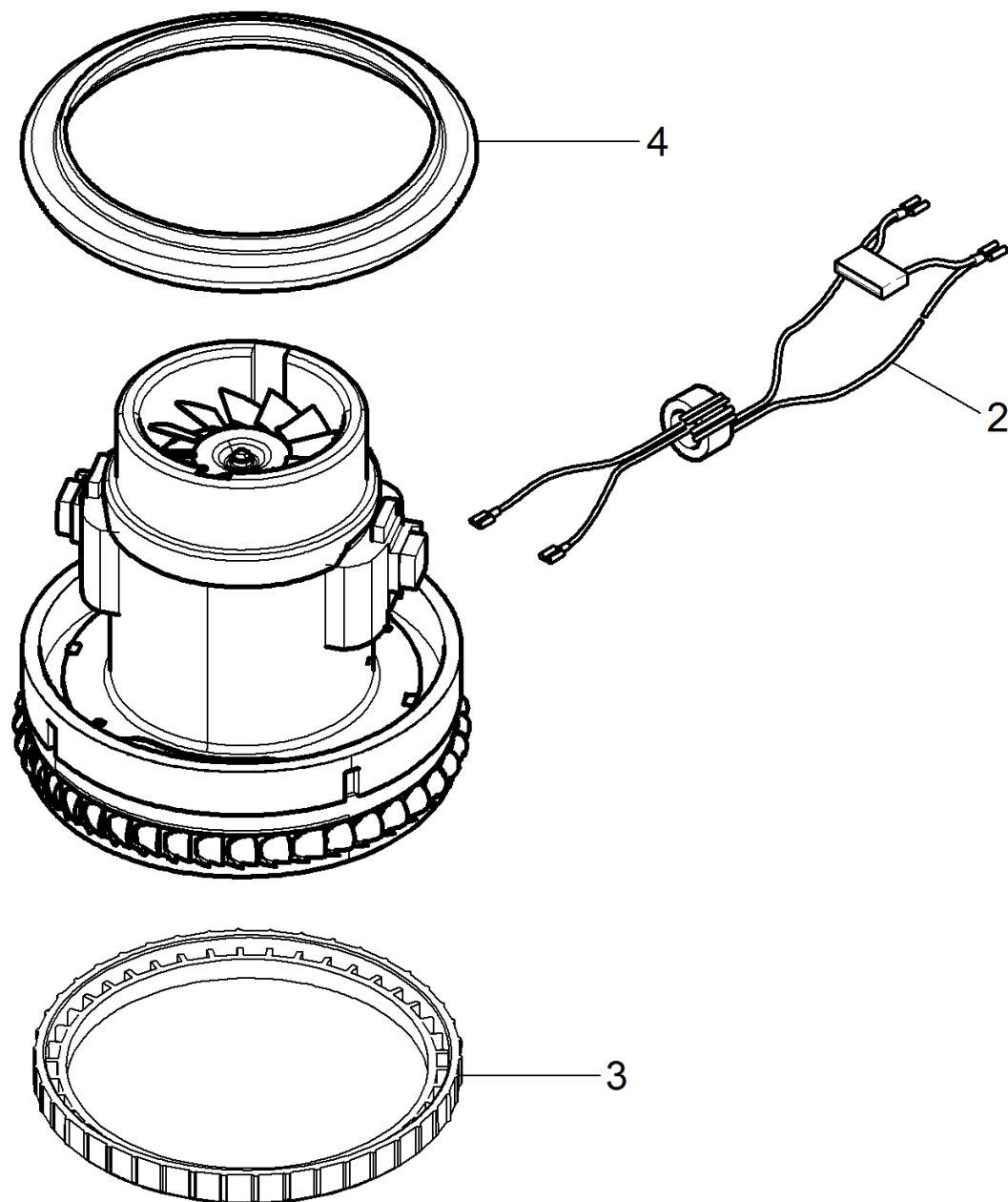
WD 3 P Workshop *EU-II (1.629-886.0)

POS	Description	Quantity	Unit
10	Appliance individual parts	1	PC
20	Tank	1	PC
30	Accessories	1	PC



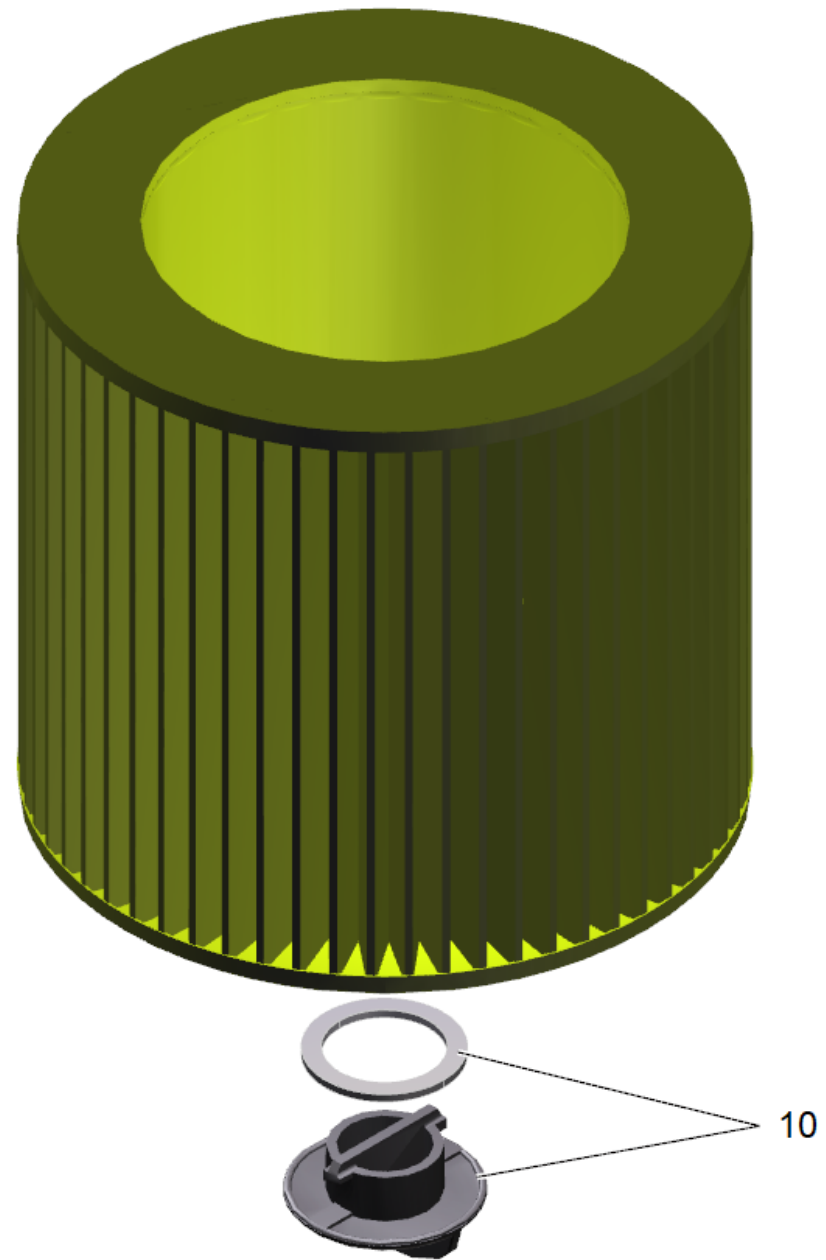
10 Appliance individual parts

POS	Article no.	Description	Quantity	Unit	Remark	Foot note text
1	4.195-069.0	Cover neutrally packaged MV 3 P / WD 3 P	1	PC		VERSION 1 / PLEASE TAKE MODEL OF THE SWITCH
1	4.195-311.0	Set cover neutrally packed MV 3 P / WD 3 P	1	PC		VERSION 2 / PLEASE TAKE MODEL OF SWITCH
2	9.037-001.0	Frame PT	1	PC		
3	6.646-561.0	Plug socket *EU	1	PC		
4	9.086-184.0	Screw 3x20	2	PC		
5	4.195-312.0	Switch for replacement	1	PC		VERSION 2 / PLEASE TAKE MODEL OF SWITCH
5	6.630-090.0	Switch 2-level	1	PC		VERSION 1 / PLEASE TAKE MODEL OF THE SWITCH
6	9.048-077.0	Seal switch TE	1	PC		VERSION 1 / PLEASE TAKE MODEL OF THE SWITCH
7	5.332-997.0	Helical spring	1	PC		
8	5.640-363.0	Slider	1	PC		
9	5.075-037.0	Closure	2	PC		
10	5.053-183.0	Motor bracket	1	PC		
11	6.303-557.0	Screw 3x12 Kombitorx T8	1	PC		
12	6.683-021.0	Electronics NT Good	1	PC		
13	6.649-179.0	Cable with plug *EU	1	PC	*EU	
15	4.490-000.0	Vacuum motor complete for replacement Cu	1	PC		
16	2.884-253.0	Set cable ferrite ring	1	PC		
18	5.585-062.0	Float ECO	1	PC		
19	5.034-736.0	Retaining bracket cable	1	PC		
20	5.731-646.0	Filter cage	1	PC		
21	6.303-150.0	Screw 4,2x 22	6	PC		
22	6.414-552.0	Cartridge filter WD/SE	1	PC		
23	4.075-012.0	Closure complete	1	PC		



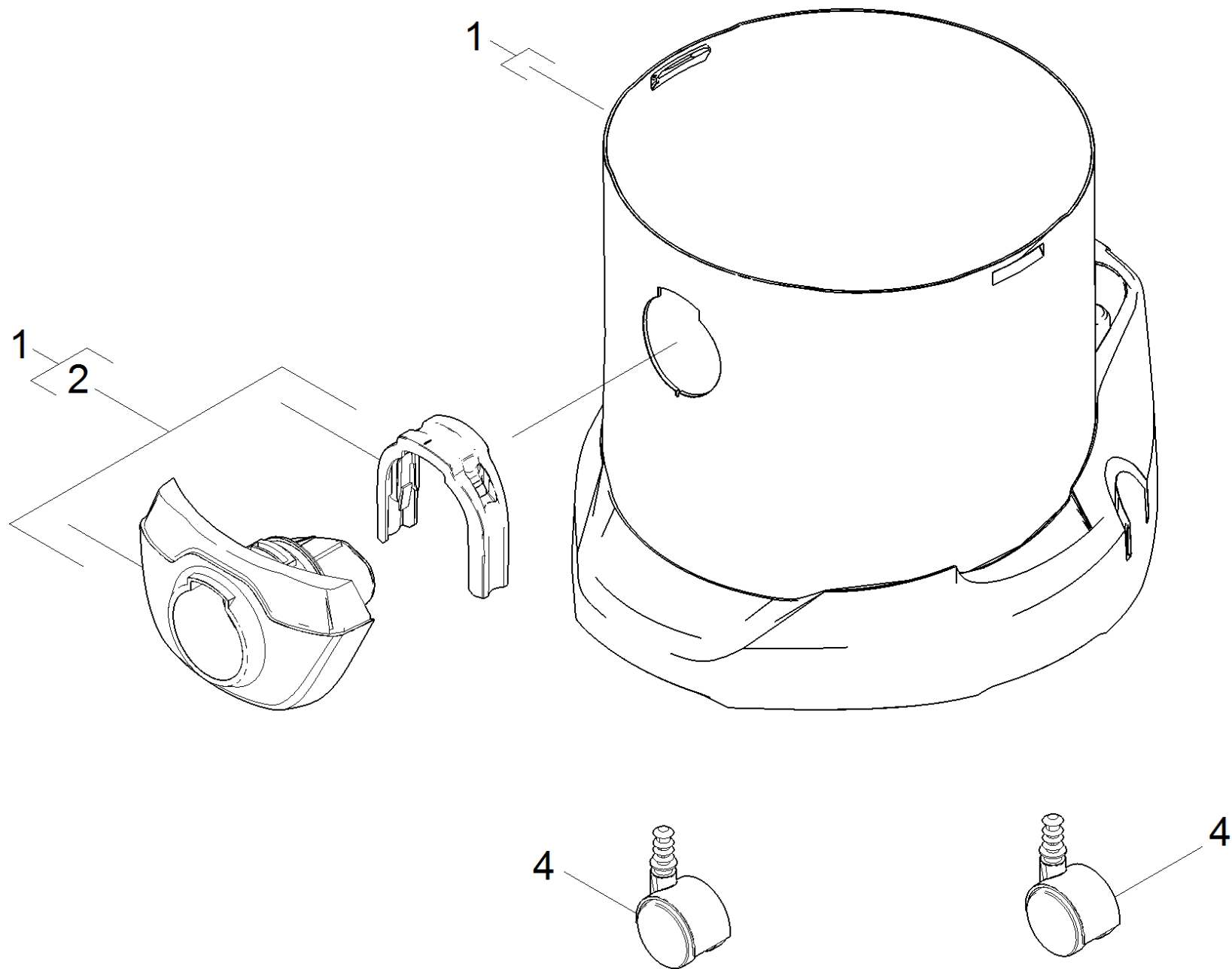
15 Vacuum motor complete for replacement Cu (4.490-000.0)

POS	Article no.	Description	Quantity	Unit
2	4.649-087.0	Cable ferrite ring complete DNA	1	PC
3	5.365-324.0	Bearing motor height compensation	1	PC
4	9.079-024.0	Seal motor above	1	PC



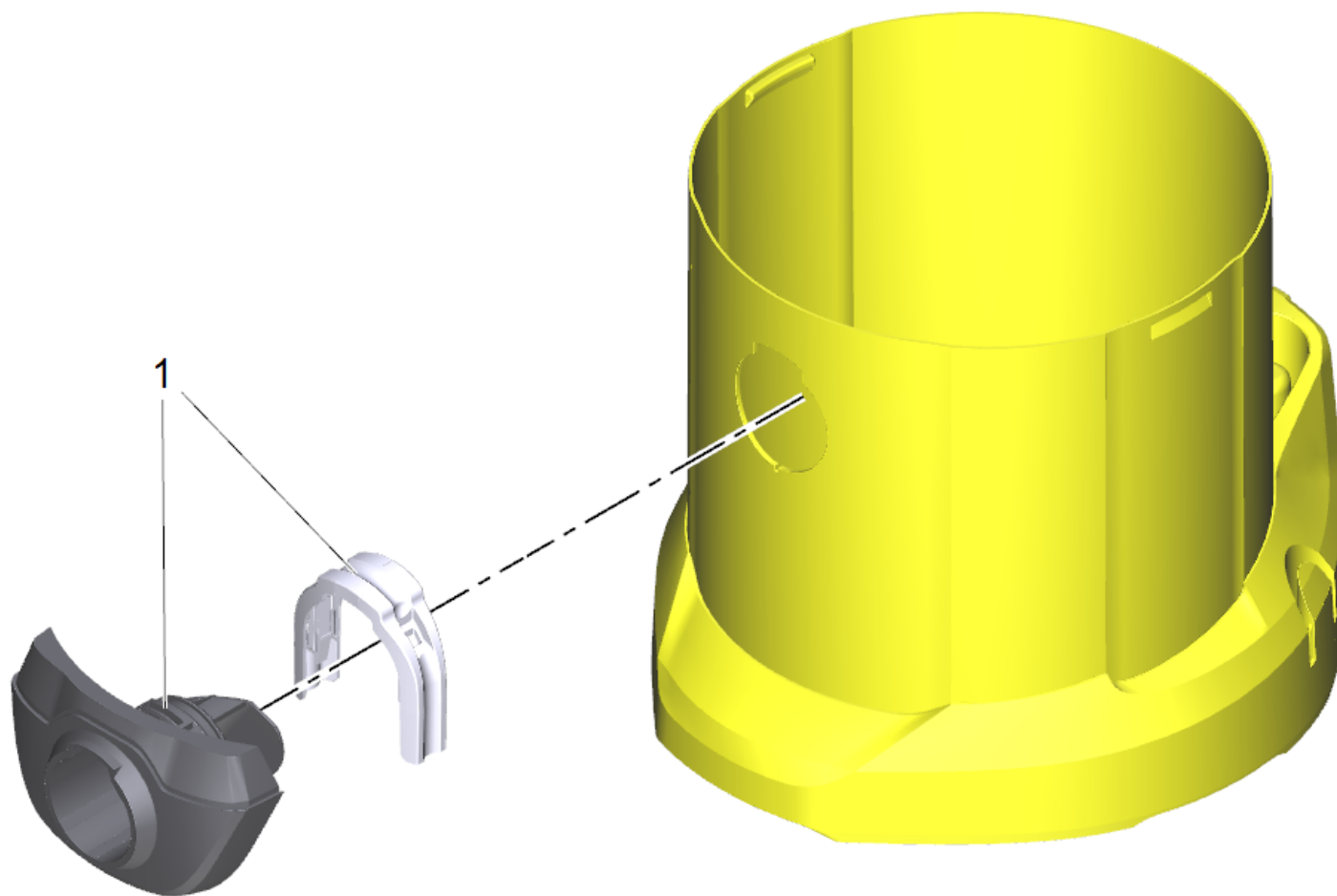
22 Cartridge filter WD/SE (6.414-552.0)

POS	Article no.	Description	Quantity	Unit
10	4.075-012.0	Closure complete	1	PC



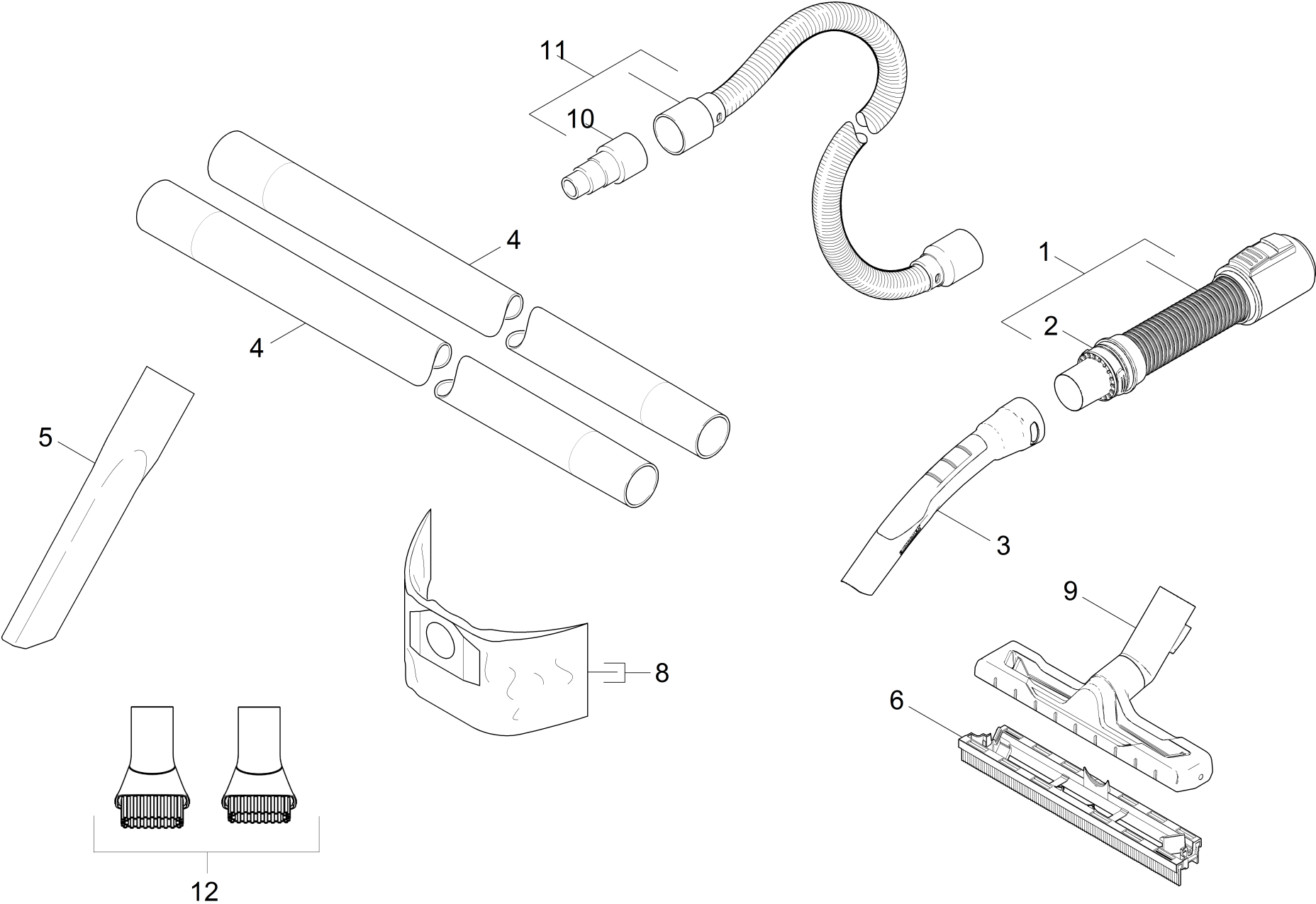
20 Tank

POS	Article no.	Description	Quantity	Unit
1	4.440-010.0	Tank plastics packaged	1	PC
2	2.885-402.0	Suction connection complete packaged	1	PC
4	6.435-353.0	Castor D 42	4	PC



1 Tank plastics packaged (4.440-010.0)

POS	Article no.	Description	Quantity	Unit
1	2.885-402.0	Suction connection complete packaged	1	PC



30 Accessories

POS	Article no.	Description	Quantity	Unit
1	4.441-066.0	Hose complete packaged	1	PC
2	6.645-688.0	Spring washer suction hose	1	PC
3	2.863-012.0	Hand grip suction hose	1	PC
4	2.863-308.0	Extension suction tube WD ID 35	2	PC
5	6.900-385.0	Crevice nozzle DN35	1	PC
6	4.629-014.0	Insert wet floor nozzle packaged	1	PC
6	4.629-015.0	Insert dry floor nozzle packaged	1	PC
6	4.629-016.0	Mixing insert floor nozzle packaged	1	PC
8	6.959-130.0	Filter bag WD/SE 5pc.	1	ZSA
9	4.629-013.0	Floor tool clip packaged	1	PC
10	9.048-061.0	Connecting sleeve	1	PC
11	2.863-112.0	Vacuum kit for power tools WD 2St.	1	PC
12	2.863-221.0	Suction brush kit WD 2pc.	1	PC