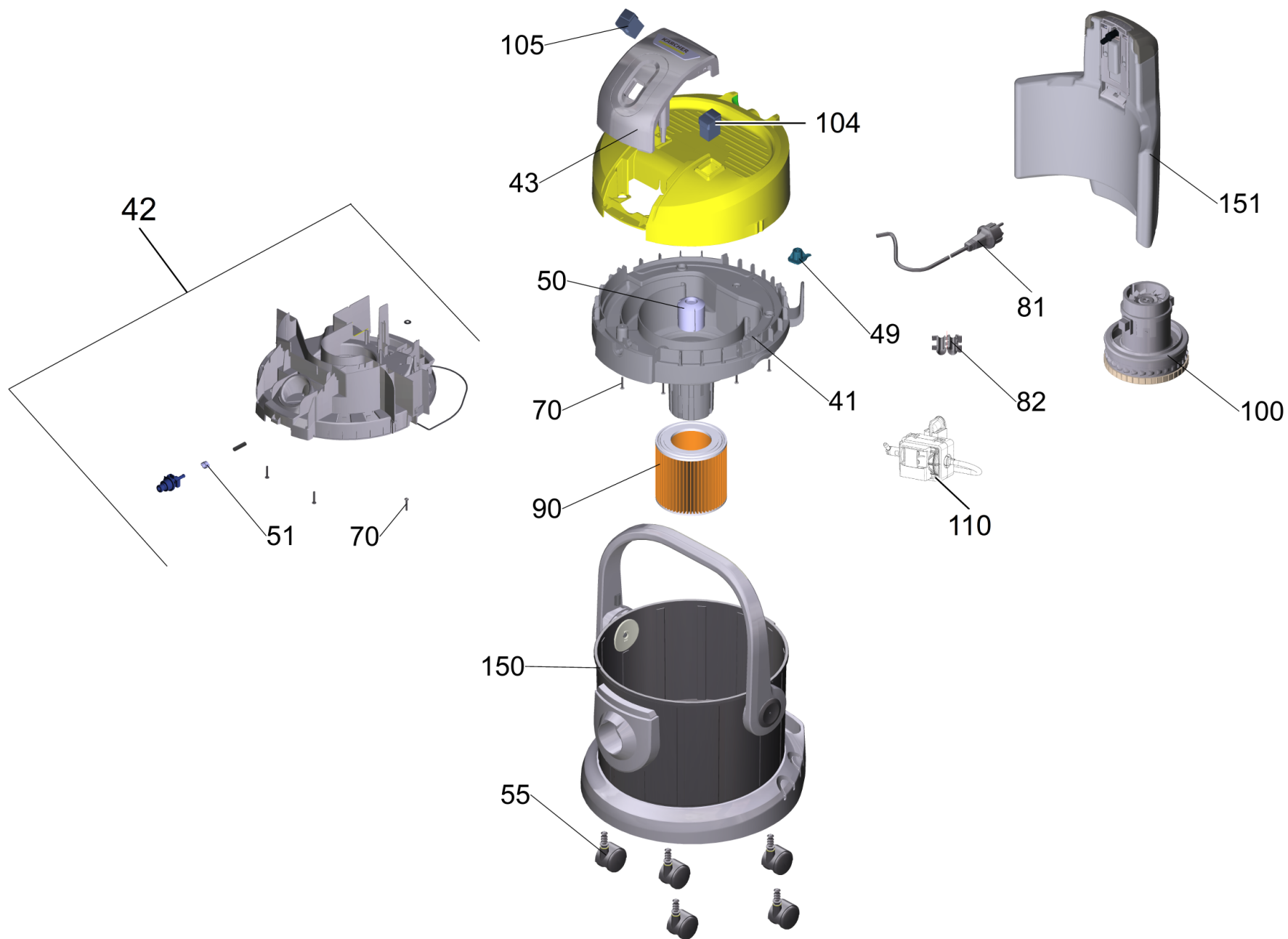


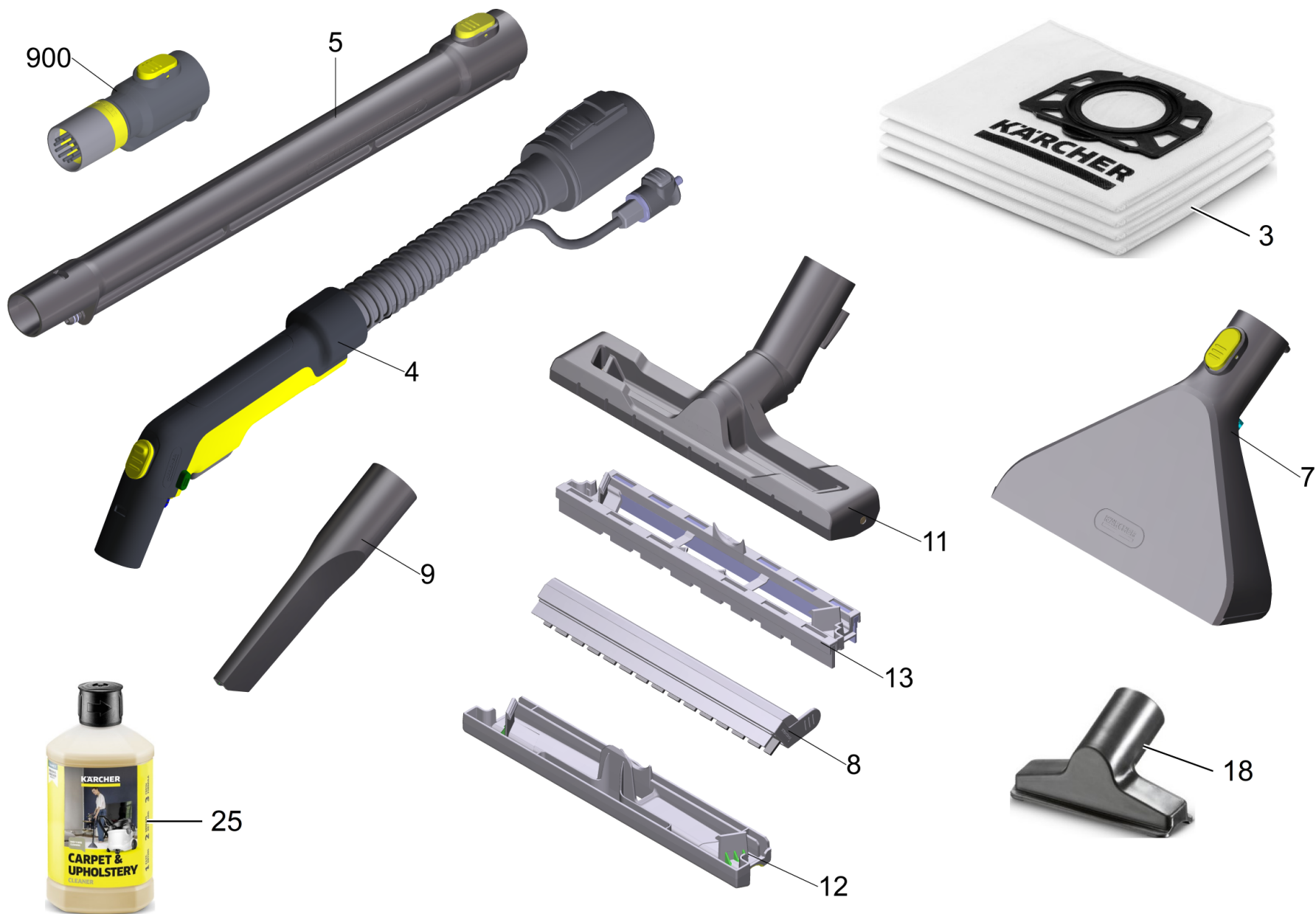
Spare parts list

(1.081-150.0) SE 4 *EU

Table of contents

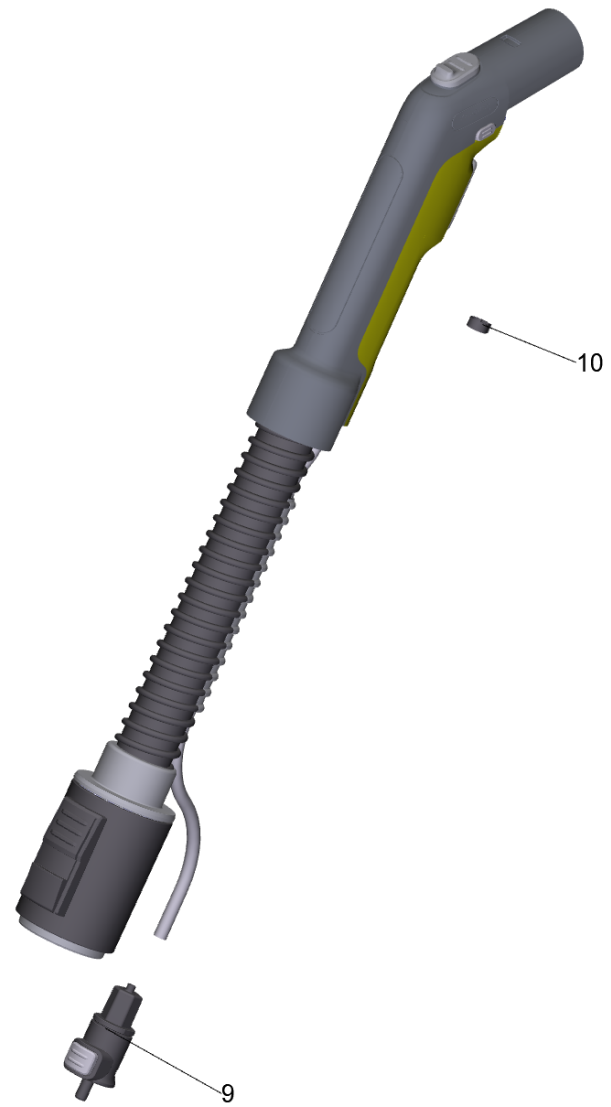
SE 4 *EU (1.081-150.0)	3
4 Handle cpl. (4.081-021.3)	6
6 Valve cpl.	8
5 Tube cpl. (4.081-030.3)	9
7 Floor nozzle cpl. (4.081-026.3)	11
8 Hard floor adapter cpl. (4.081-028.3)	13
42 Motor housing complete SE (9.012-267.0)	15
90 Cartridge filter WD/SE (6.414-552.0)	17
100 Motor cpl. (4.081-034.3)	19
150 Container cpl. SE 4	21
151 Fresh water tank complete SE 4 (4.081-035.3)	23
900 Shoe!Cleaner SE 3,4,5,6 (2.863-370.0)	24





SE 4 *EU (1.081-150.0)

POS	Article no.	Description	Quantity	Unit
81	9.084-154.0	Cable H05V-F 2X0,75 A2204 *EU	1	PC
82	9.037-459.0	cable swtich se	1	PC
12	4.081-023.3	Carpet insert	1	PC
90	2.863-303.0	Cartridge filter WD/SE	1	PC
90	6.414-552.0	Cartridge filter WD/SE	1	PC
55	6.435-353.0	Castor D 42	5	PC
150		Container cpl. SE 4	1	PC
43	4.101-223.0	Cover plate cpl. SE 4	1	PC
9	5.130-600.3	Crevice nozzle DN 35	1	PC
3	2.863-314.0	Filter bag fleece WD 2 Plus/WD 3/SE 4St	1	PC
		Item text1: successor of 6.959-130.0		
90	4.081-073.0	Filter set wet and dry WET and DRY	1	PC
		Item text1: successor of 6.414-552.0		
50	5.081-118.0	Float SE 4	1	PC
7	4.081-026.3	Floor nozzle cpl.	1	PC
151	4.081-035.3	Fresh water tank complete SE 4	1	PC
4	4.081-021.3	Handle cpl.	1	PC
8	4.081-028.3	Hard floor adapter cpl.	1	PC
51	6.389-992.0	Hose clip	1	PC
13	4.629-016.0	Mixing insert floor nozzle packaged	1	PC
100	4.081-034.3	Motor cpl.	1	PC
42	9.012-267.0	Motor housing complete SE	1	PC
41	5.081-099.3	Motor support SE 4	1	PC
110	9.012-269.0	Pump complete SE	1	PC
25	6.295-771.0	RM 519** 1l Carpet Cleaner liquid	1	PC
70	9.086-221.0	Screw ATF 4.1x22	8	PC
11	4.101-171.0	Set floor nozzle clip	1	PC
900	2.863-370.0	Shoe!Cleaner SE 3,4,5,6	1	PC
49	9.036-997.0	Strain relief	1	PC
104	6.630-087.3	Switch	1	PC
105	6.959-398.0	Switch with lamp	1	PC
5	4.081-030.3	Tube cpl.	2	PC
18	6.907-793.0	Upholstery nozzle DN35	1	PC



4 Handle cpl. (4.081-021.3)

POS	Article no.	Description	Quantity	Unit
9	4.081-024.3	Fresh water adapter cpl.	1	PC
10	6.390-257.0	Hose clip	1	PC
6		Valve cpl.	1	PC

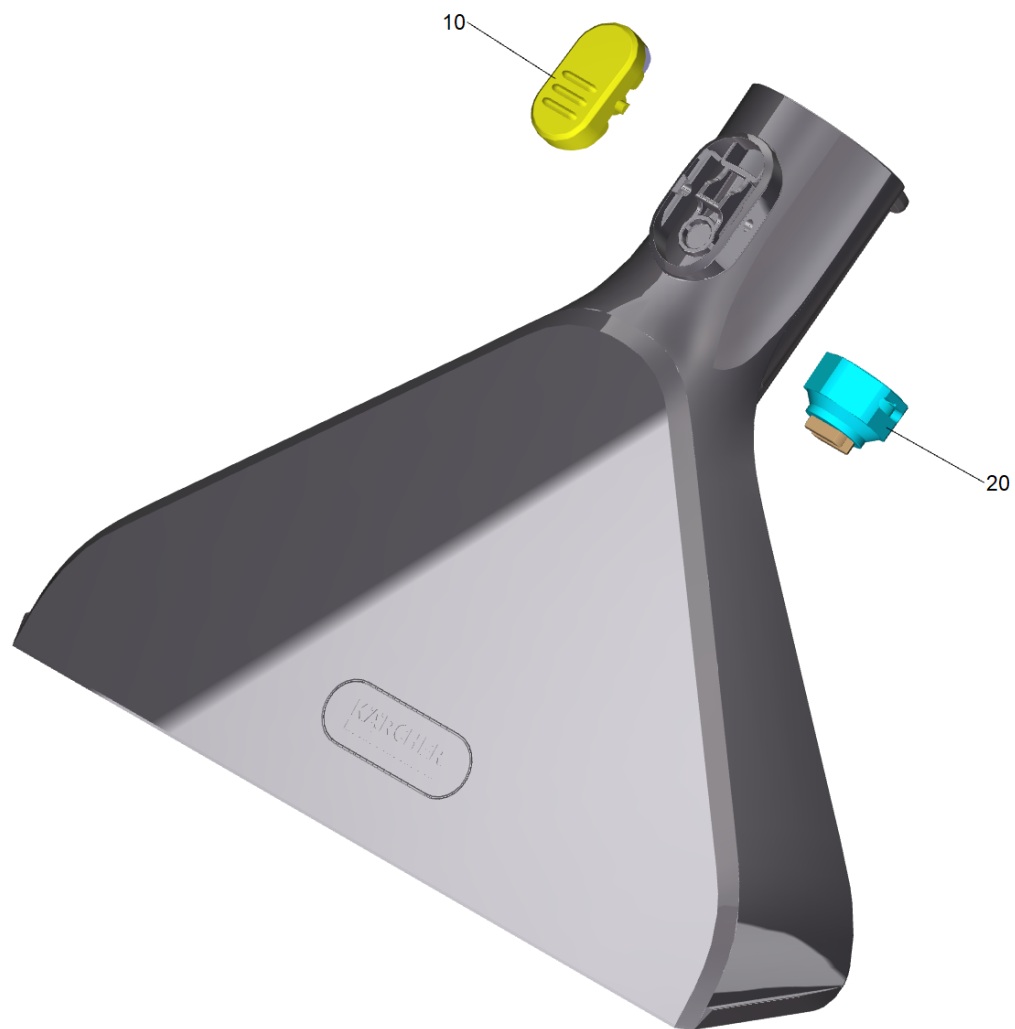
6 Valve cpl.

POS	Article no.	Description	Quantity	Unit
1	6.362-231.0	O-Ring seal 6x1,2 - 80	2	PC



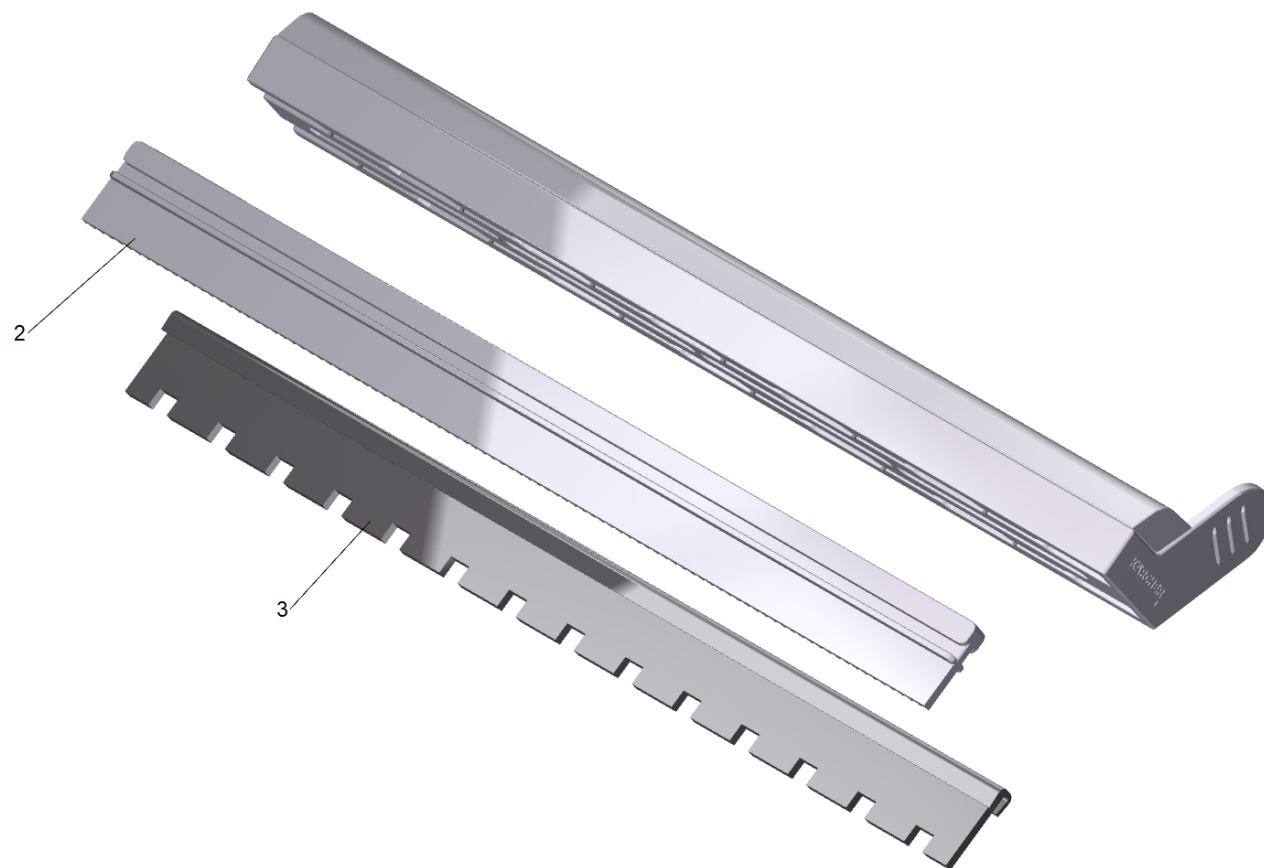
5 Tube cpl. (4.081-030.3)

POS	Article no.	Description	Quantity	Unit
20	6.362-231.0	O-Ring seal 6x1,2 - 80	2	PC
10	4.101-226.0	Set button for replacement	1	PC



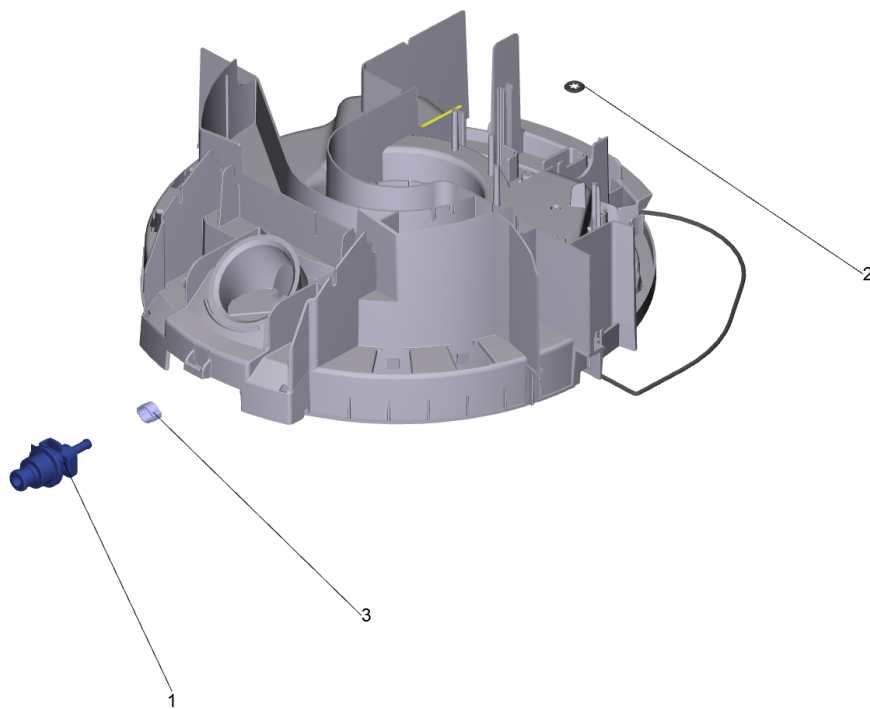
7 Floor nozzle cpl. (4.081-026.3)

POS	Article no.	Description	Quantity	Unit
20	4.101-222.0	Nozzles set for floor nozzle	1	PC
10	4.101-226.0	Set button for replacement	1	PC



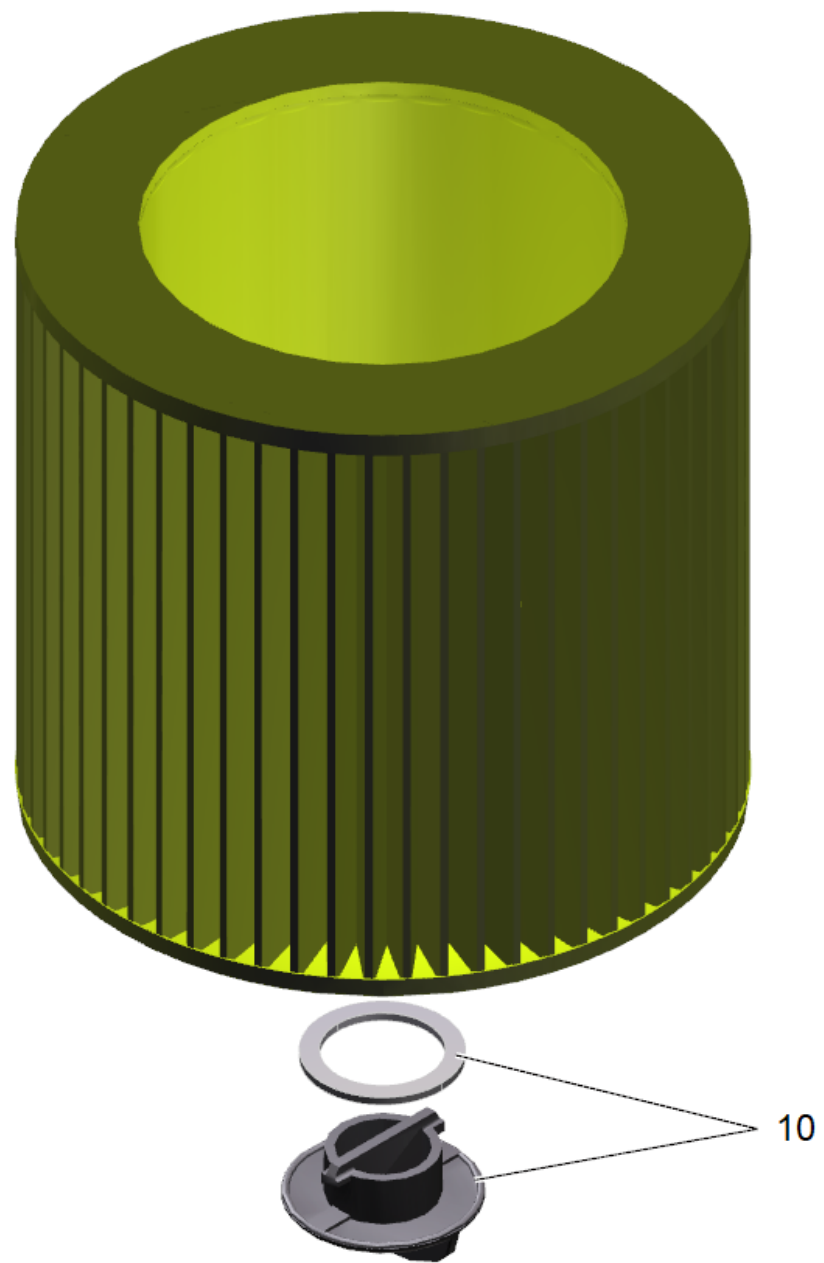
8 Hard floor adapter cpl. (4.081-028.3)

POS	Article no.	Description	Quantity	Unit
3	6.081-005.0	Brush	1	PC
2	6.081-004.0	Rubber lip	1	PC



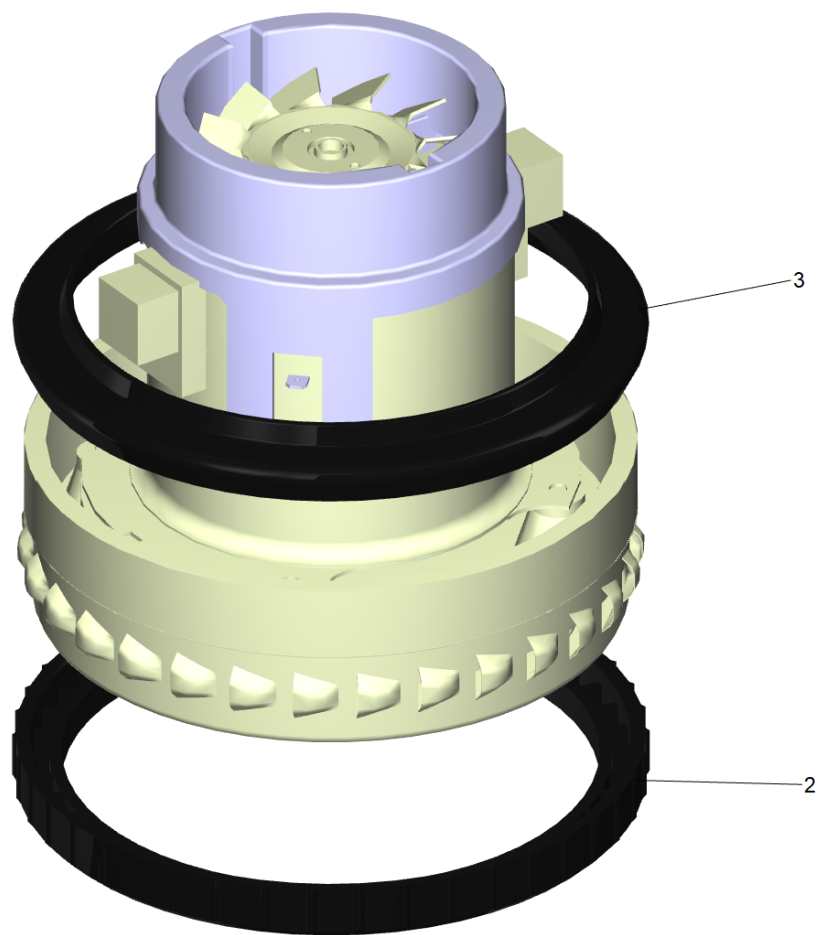
42 Motor housing complete SE (9.012-267.0)

POS	Article no.	Description	Quantity	Unit
3	6.389-992.0	Hose clip	1	PC
2	6.343-169.0	Quick-fastener	1	PC
1	9.037-317.0	Quick-fitting pipe union SE	1	PC



90 Cartridge filter WD/SE (6.414-552.0)

POS	Article no.	Description	Quantity	Unit
10	4.075-012.0	Closure complete	1	PC



100 Motor cpl. (4.081-034.3)

POS	Article no.	Description	Quantity	Unit
2	5.365-324.0	Bearing motor height compensation	1	PC
3	9.079-024.0	Seal motor above	1	PC
4	2.884-135.0	Spare part set cable	1	PC



150 Container cpl. SE 4

POS	Article no.	Description	Quantity	Unit
2	5.081-098.3	Bumper container plastic SE 4	1	PC
1	5.081-097.3	Container plastic SE 4	1	PC
4	4.101-225.0	Handhold cpl.	1	PC
5	7.303-098.0	Screw 5x20-10.9-R2R (K-In6Rd)	2	PC
3	4.101-224.0	Suction connection cpl.	1	PC

151 Fresh water tank complete SE 4 (4.081-035.3)

POS	Article no.	Description	Quantity	Unit
5	9.012-383.0	Funnel complete	1	PC

900 Shoe!Cleaner SE 3,4,5,6 (2.863-370.0)

POS	Article no.	Description	Quantity	Unit
10	4.101-226.0	Set button for replacement	1	PC
