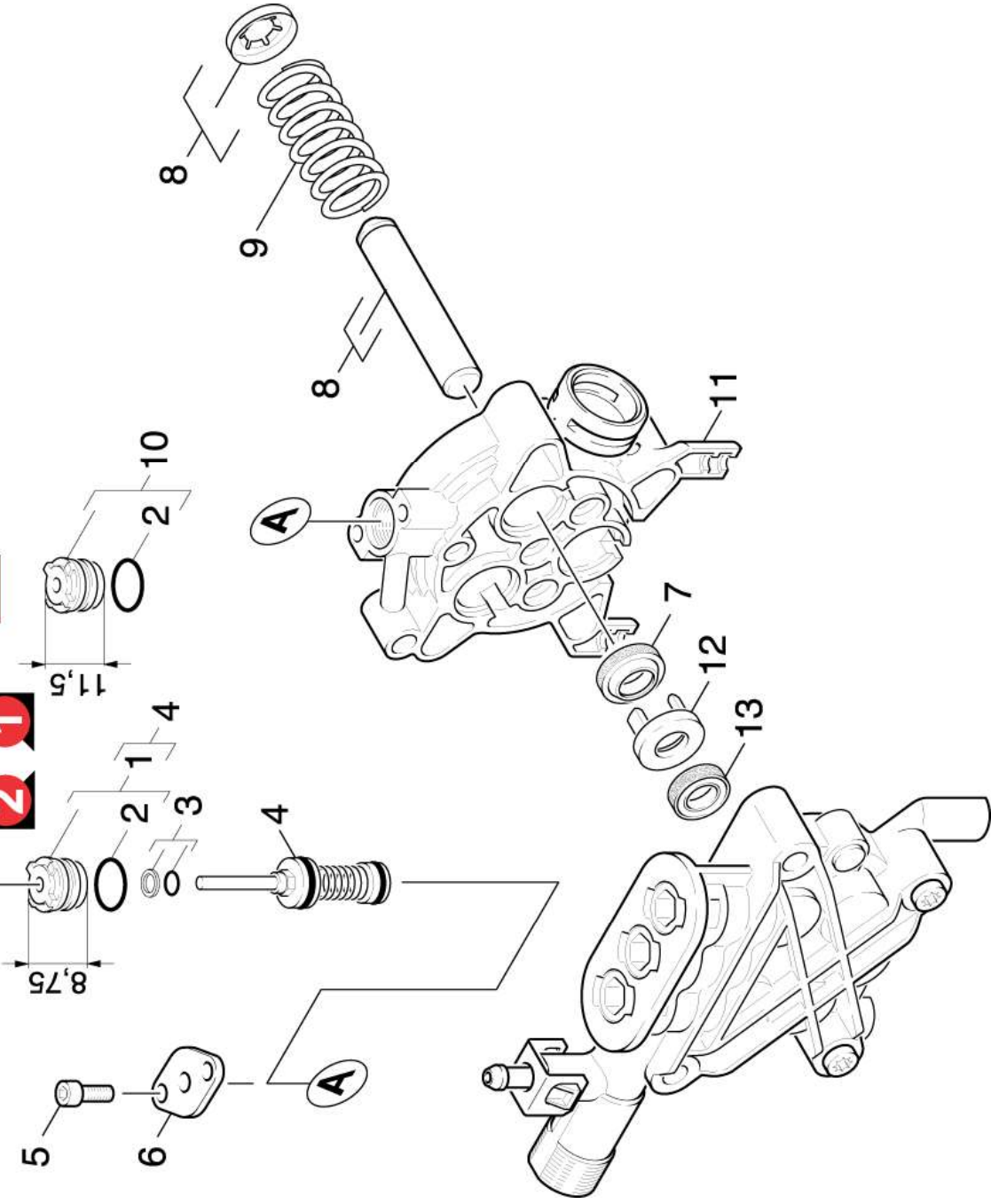


3.3



22 Piston

Rez.daljas/nodil.pakl.daljas	Poz.	Materiāla Nr.	Nosaukums	Daudzums	Pārdoš. vienība	no sēr. Nr..	līdz sēr. Nr.	Daž. informācija
	1	4.030-123.0	Moulded part complete only for replaceme	1.000	ST	0000000000	0000000000	VERSION 2
X-X	2	6.362-169.0	Gredzenblīve 12,0 X 2,0	1.000	ST	0000000000	0000000000	
X	3	6.362-852.0	Gredzenblīve, pilns komplekts 3,69	1.000	ST	0000000000	0000000000	
X-X	4	4.580-666.0	Excess-current complete	1.000	ST	0000000000	0000000000	
	4	4.580-665.0	Excess current complete	1.000	ST	0000000000	0000000000	
	5	7.303-048.0	Screw M6x20 -St-R3R (In6Rd)	2.000	ST	0000000000	0000000000	
	6	5.064-127.0	Cover	1.000	ST	0000000000	0000000000	
X-X	7	6.365-393.0	Gredzens ar rievu 12x20x4/6	3.000	ST	0000000000	0000000000	
X	8	4.553-173.0	Piston complete	3.000	ST	0000000000	0000000000	
X-X	9	5.332-391.0	Piespiedējatspere	3.000	ST	0000000000	0000000000	
	10	4.030-069.0	Moulded part complete only for replaceme	1.000	ST	0000000000	0000000000	VERSION 1
	11	5.060-733.0	Piston guidance	1.000	ST	0000000000	0000000000	
X	12	5.115-674.0	Paplāksne	3.000	ST	0000000000	0000000000	
X-X	13	6.365-394.0	Gredzens ar gropi 12x20x5,3/2,8	3.000	ST	0000000000	0000000000	
	100	2.883-883.0	PUMP SET COMPLETE	1.000	ST			