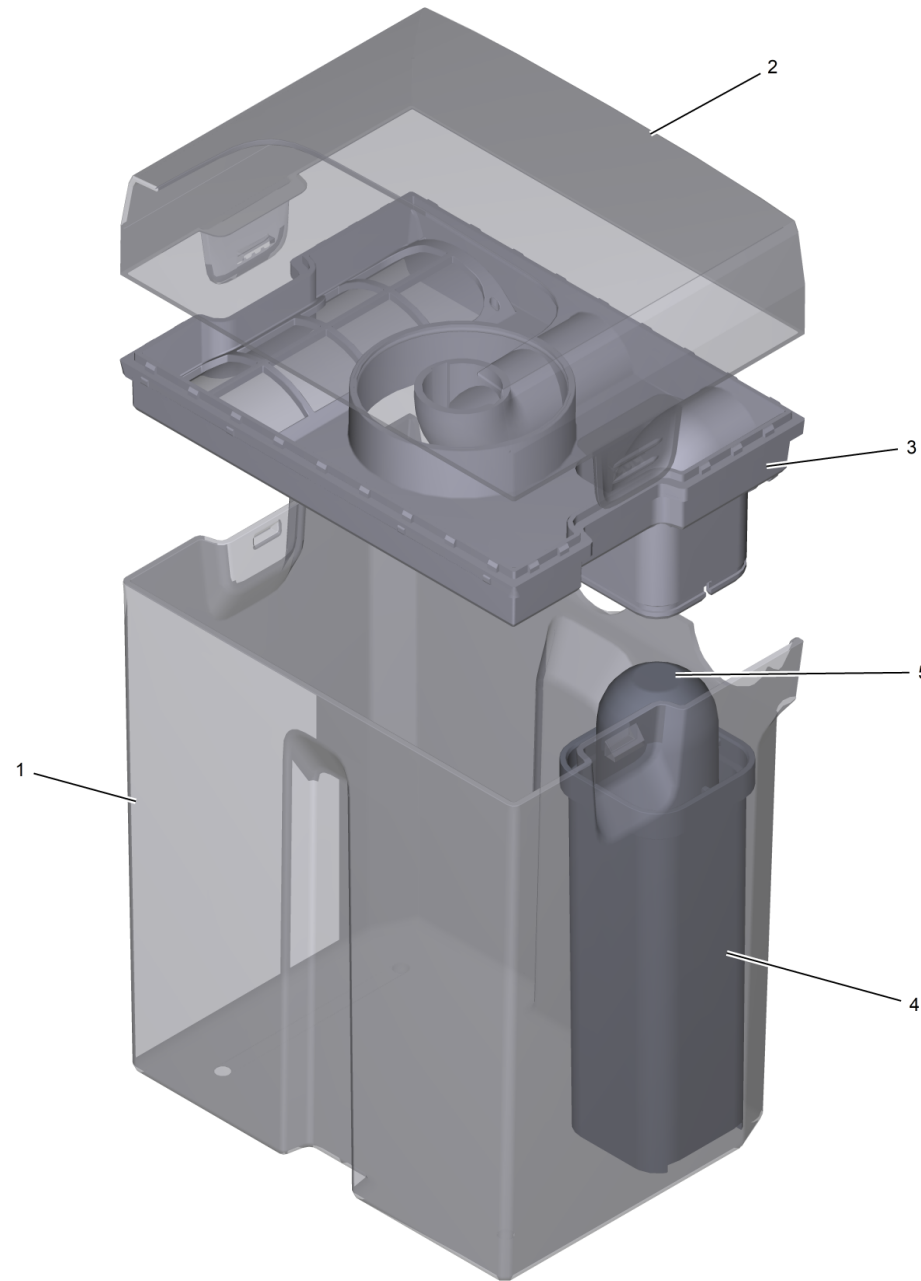


150 Dirt water tank cpl.

Home and Garden \ Spray extraction \ SE 3-18 Compact Battery Set *EU \ Dirt water tank cpl.



150 Dirt water tank cpl.

Home and Garden \ Spray extraction \ SE 3-18 Compact Battery Set *EU \ Dirt water tank cpl.



POS	Article no.	Description	Quantity	Unit
2	5.081-034.3	Cover plate waste water tank for replacement	1	PC
1	5.081-033.3	Dirt water tank for replacement	1	PC
5	5.081-037.0	Float	1	PC
4	5.081-036.3	Float cage for replacement	1	PC
3	5.081-035.3	Separator for replacement	1	PC