

Spare parts list

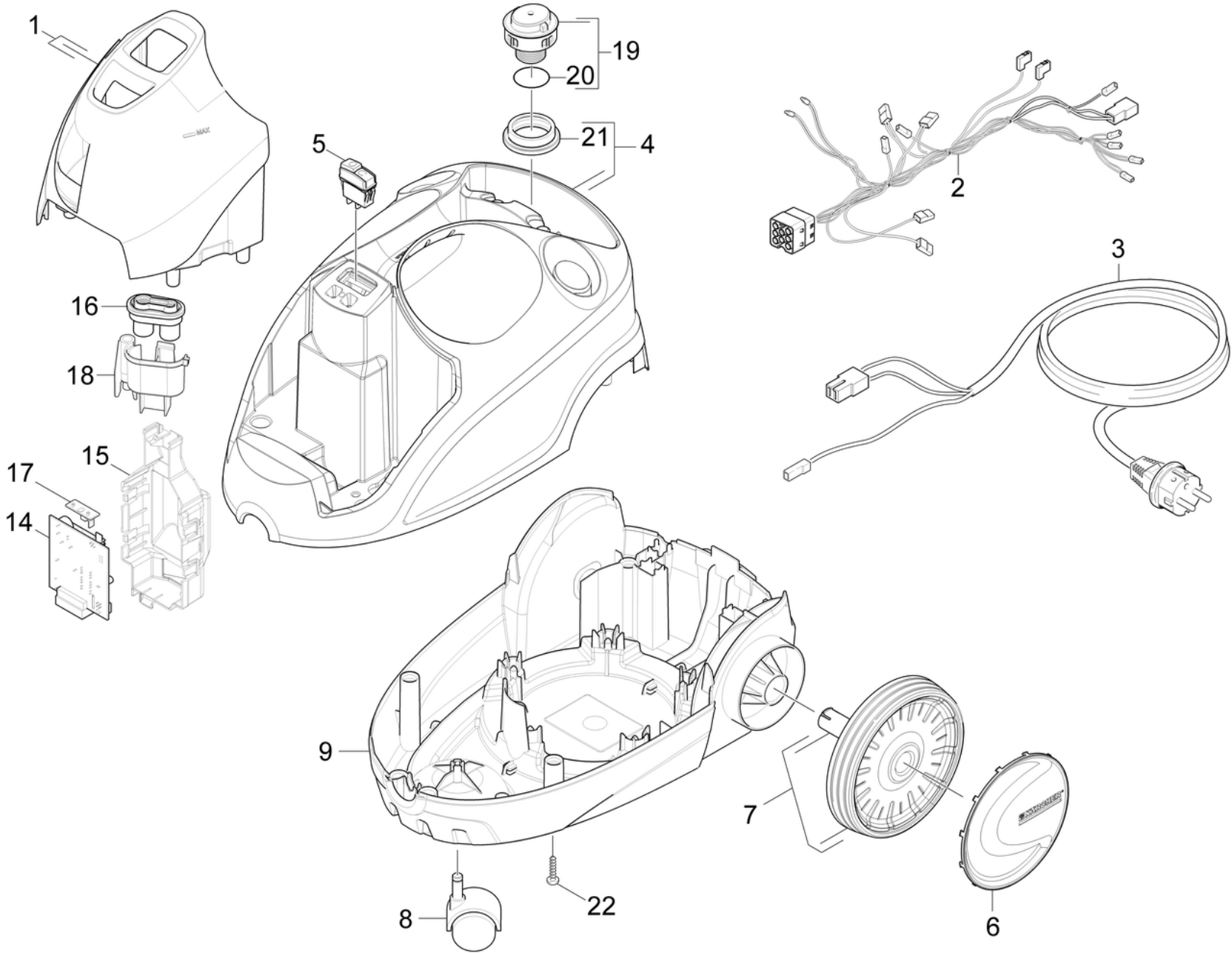
(1.512-480.0) SC 4 EasyFix Premium (white) *EU

Table of contents

SC 4 EasyFix Premium (white) *EU (1.512-480.0)	3
10 Housing	4
4 Upper housing replacement white SC 4 flo (4.512-088.0)	6
7 Wheel set replacement bk (4.515-318.0)	8
19 Maintenance closure complete replacement (4.580-760.0)	10
20 Boiler	11
8 Boiler complete replacement SC 4 (4.070-060.3)	13
9010 Elbow nipple set replacement (4.509-000.0)	15
13 Pump complete for replacement MK (4.473-020.3)	17
9001 Elbow nipple set replacement (4.509-000.0)	19
30 Steam hose	21
40 Accessories	23
2 Point jet nozzle complete PA (4.130-021.0)	25
6 Extension pipe bk/gy (4.127-027.3)	27
10 Power nozzle set (2.863-263.0)	29

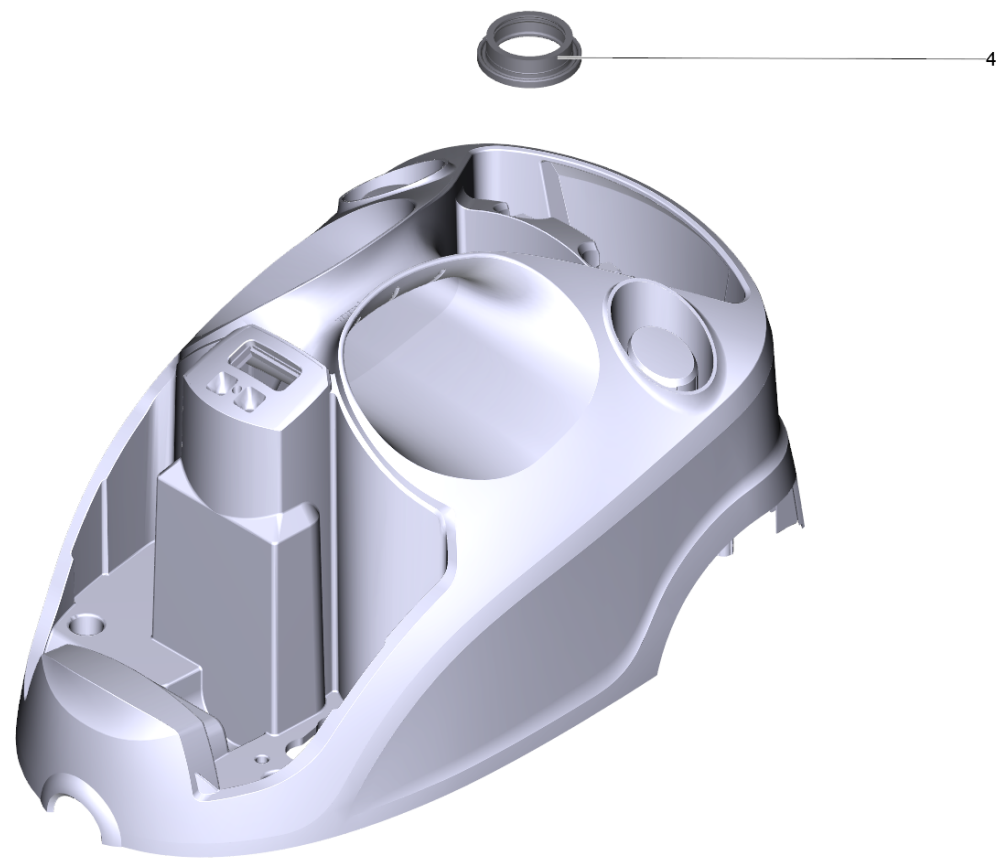
SC 4 EasyFix Premium (white) *EU (1.512-480.0)

POS	Description	Quantity	Unit
10	Housing	1	PC
20	Boiler	1	PC
30	Steam hose	1	PC
40	Accessories	1	PC



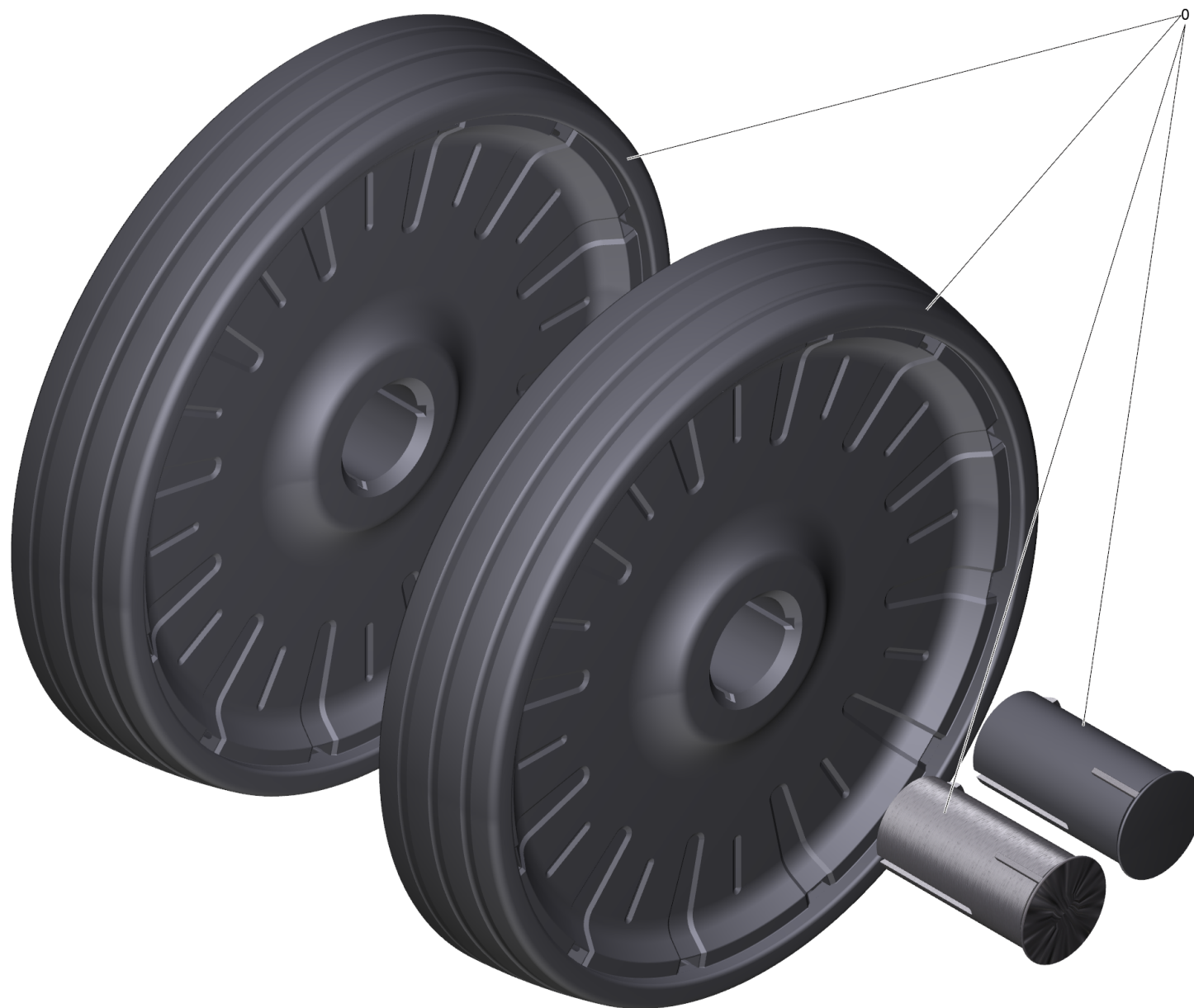
10 Housing

POS	Article no.	Description	Quantity	Unit
1	4.512-036.0	Tank complete replacement SC 2.600/SC 2.	1	PC
2	4.039-030.0	Cable set SC 4 EU	1	PC
3	6.650-729.0	Power cable *EU 4m (class 6)	1	PC
4	4.512-088.0	Upper housing replacement white SC 4 flo	1	PC
5	4.744-169.0	Switch complete only for replacement	1	PC
6	4.515-321.0	Screen set replacement gy	1	PC
7	4.515-318.0	Wheel set replacement bk	1	PC
8	6.435-857.0	Castor	1	PC
9	5.512-022.0	Housing bottom part Floortool r-r	1	PC
14	6.512-015.3	Electronics MK *EU	1	PC
15	5.512-067.0	Carrier electronics MK DIY	1	PC
16	4.580-637.0	Valve tank replacement	1	PC
17	6.512-012.3	Electronics display MK DIY	1	PC
18	5.512-046.0	Carrier valve EFH-MK	1	PC
19	4.580-760.0	Maintenance closure complete replacement	1	PC
20	6.363-468.0	O-Ring seal EPDM 22x3	1	PC
21	5.363-745.0	Seal connection piece M24	1	PC
22	7.303-108.0	Screw 5x20 -10.9-R2R (In6Rd)	6	PC



4 Upper housing replacement white SC 4 flo (4.512-088.0)

POS	Article no.	Description	Quantity	Unit
4	5.363-745.0	Seal connection piece M24	1	PC

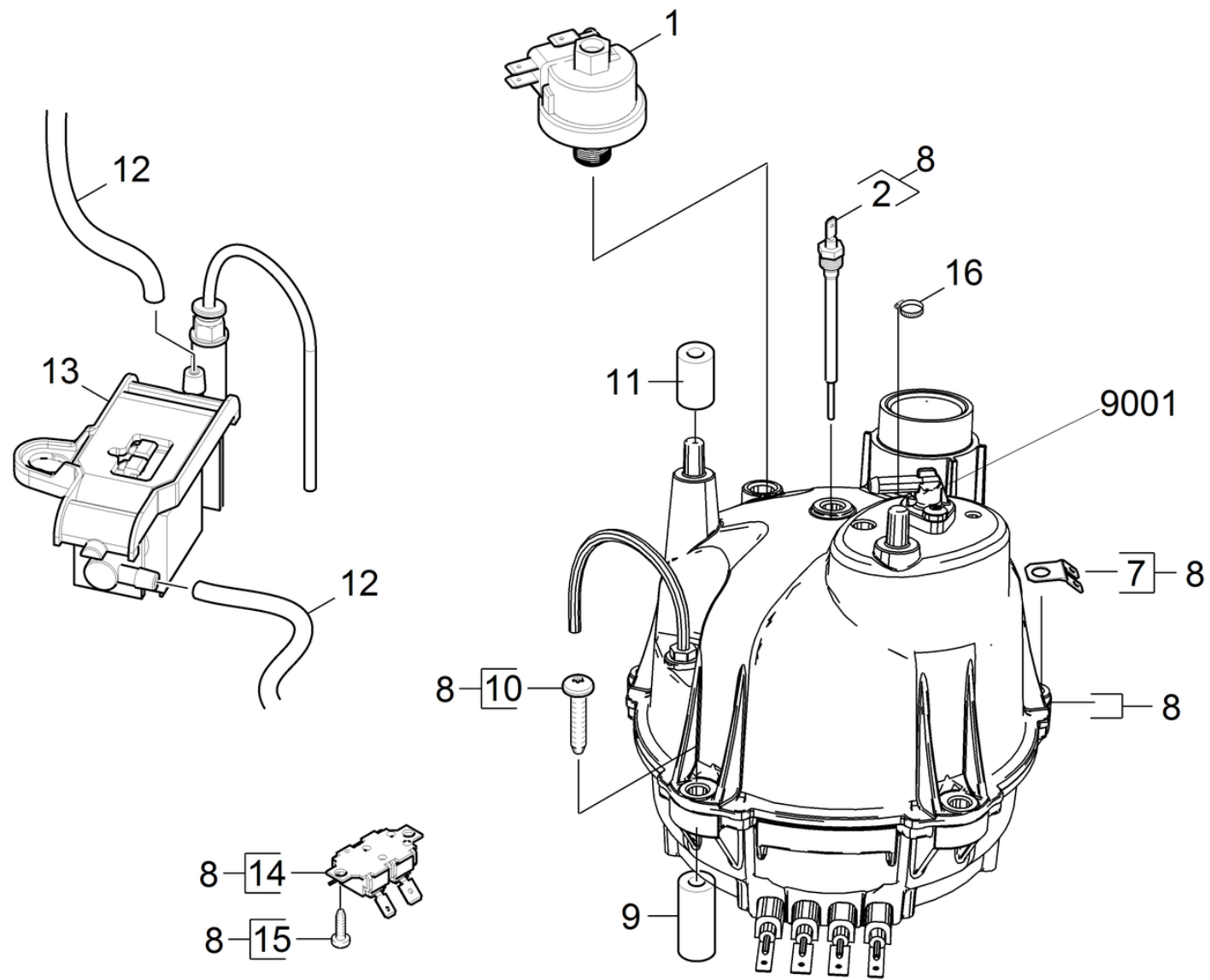


7 Wheel set replacement bk (4.515-318.0)

POS	Description	Quantity	Unit
0	Wheel base	2	PC
0	Bolt wheel	2	PC

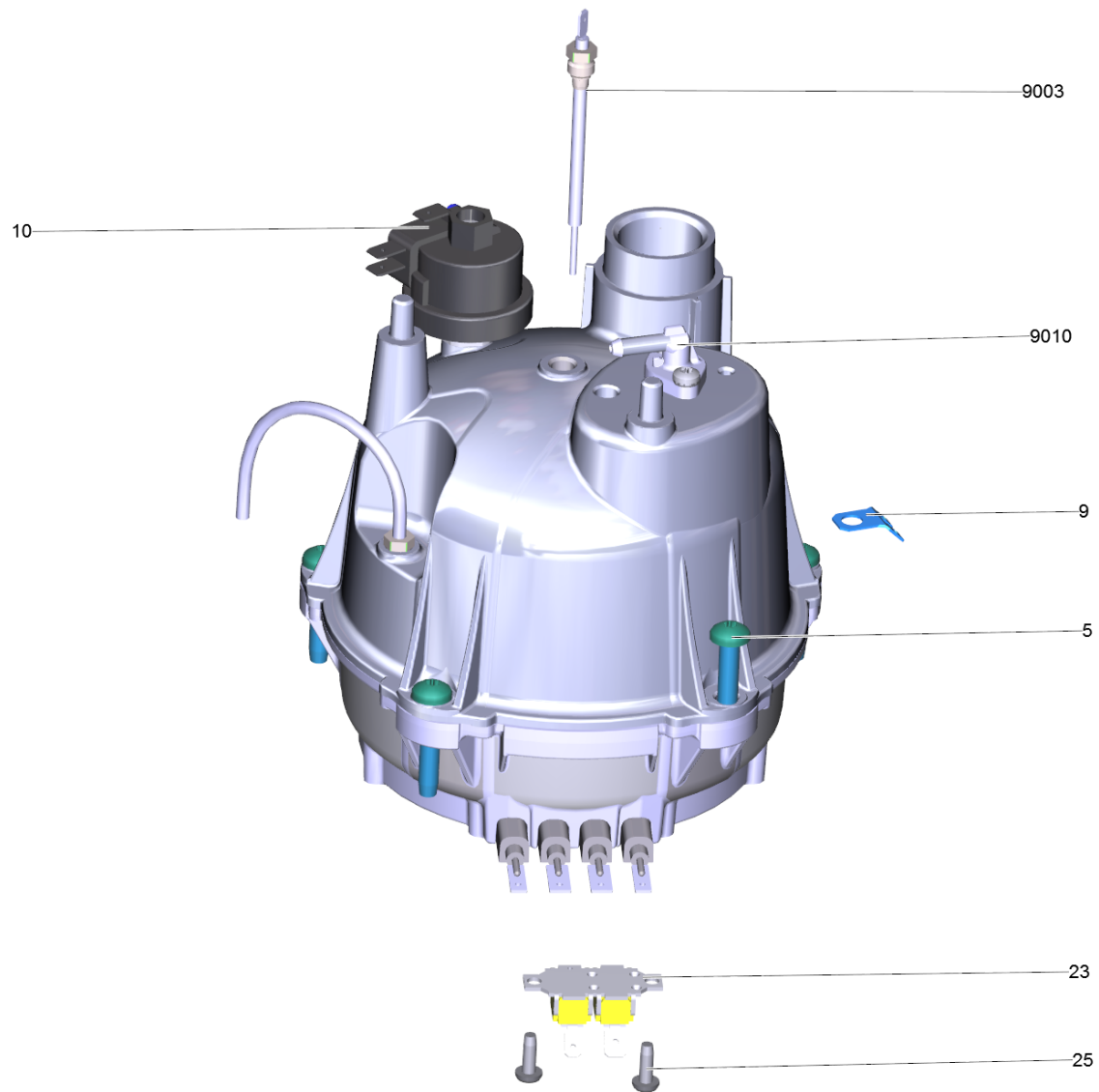
19 Maintenance closure complete replacement (4.580-760.0)

POS	Article no.	Description	Quantity	Unit
1	6.363-468.0	O-Ring seal EPDM 22x3	1	PC



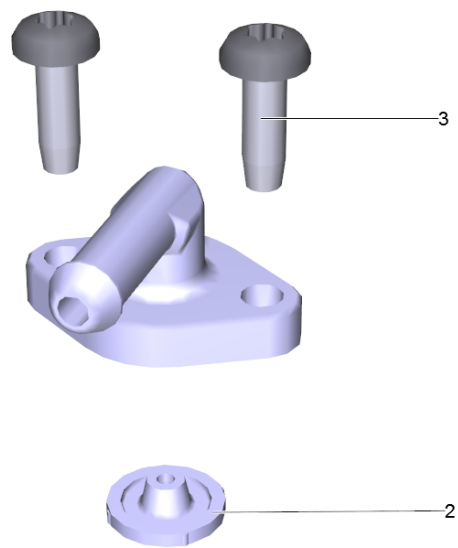
20 Boiler

POS	Article no.	Description	Quantity	Unit
1	6.413-533.0	Pressure controller 3,2 bar	1	PC
2	4.512-028.0	Probe complete replacement	1	PC
7	6.651-026.0	Tab double 2x 4,8x0,8	1	PC
8	4.070-060.3	Boiler complete replacement SC 4	1	PC
9	6.512-001.0	Bearing rubber bottom	5	PC
10	6.303-324.0	M6 X 32 TORX DRIVE PAN HD SPECIAL POINT	5	PC
11	6.512-002.0	Bearing rubber above	2	PC
12	6.391-336.0	Hose	1	m
13	4.473-020.3	Pump complete for replacement MK	1	PC
14	6.630-483.0	Thermostat	1	PC
15	7.303-031.0	Screw M4x10 -St-P2R (In6Rd)	2	PC
16	6.390-408.0	Hose clip continuously variable 9,5	1	PC
9001	4.509-000.0	Elbow nipple set replacement	1	PC



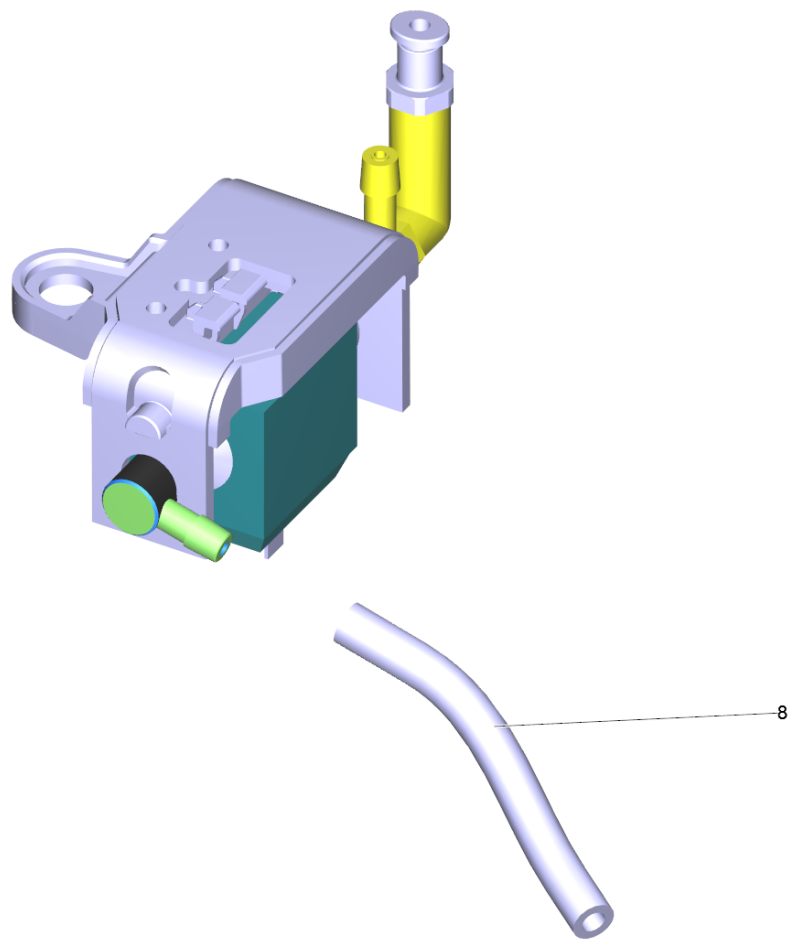
8 Boiler complete replacement SC 4 (4.070-060.3)

POS	Article no.	Description	Quantity	Unit
5	6.303-324.0	M6 X 32 TORX DRIVE PAN HD SPECIAL POINT	5	PC
9	6.651-026.0	Tab double 2x 4,8x0,8	1	PC
10	6.413-533.0	Pressure controller 3,2 bar	1	PC
23	6.630-483.0	Thermostat	1	PC
25	7.303-030.0	Screw M4x8 -St-P2R (In6Rd)	2	PC
9003	4.512-028.0	Probe complete replacement	1	PC
9010	4.509-000.0	Elbow nipple set replacement	1	PC



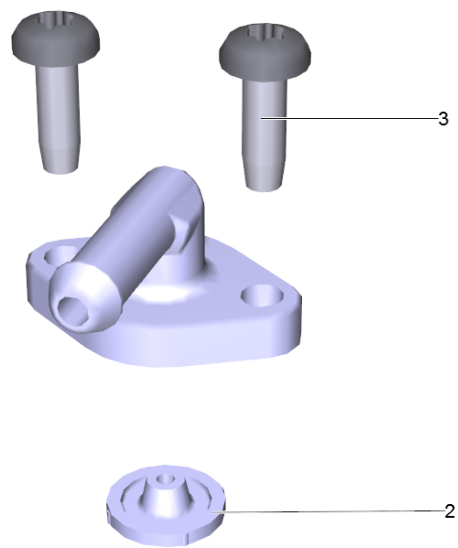
9010 Elbow nipple set replacement (4.509-000.0)

POS	Article no.	Description	Quantity	Unit
2	5.363-770.0	Seal throttle 1800W	1	PC
3	7.303-032.0	Screw M4x12 -St-R2R (In6Rd)	2	PC



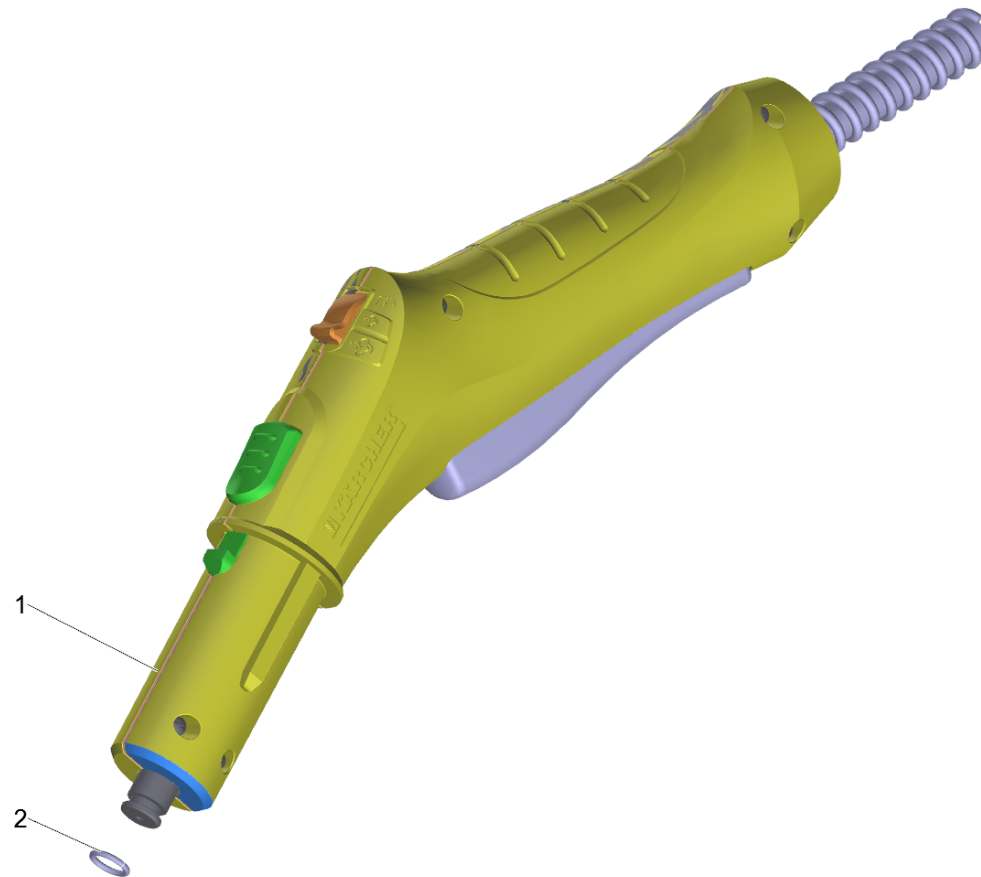
13 Pump complete for replacement MK (4.473-020.3)

POS	Article no.	Description	Quantity	Unit
8	6.391-336.0	Hose	1	m



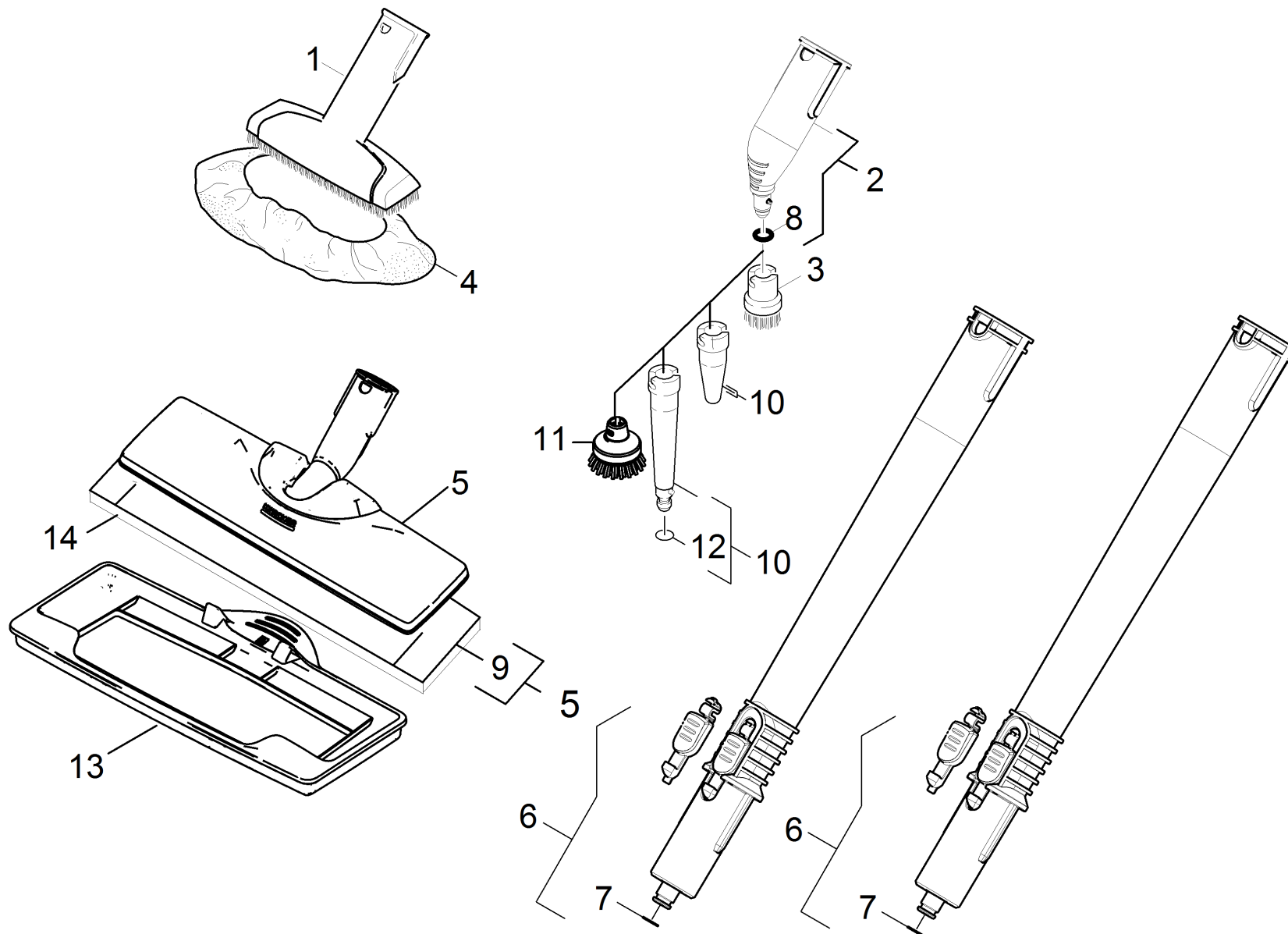
9001 Elbow nipple set replacement (4.509-000.0)

POS	Article no.	Description	Quantity	Unit
2	5.363-770.0	Seal throttle 1800W	1	PC
3	7.303-032.0	Screw M4x12 -St-R2R (In6Rd)	2	PC



30 Steam hose

POS	Article no.	Description	Quantity	Unit
1	4.322-049.3	Steam hose without plug bk/gy	1	PC
2	6.362-922.0	O-Ring seal 8,73x1,78	1	PC



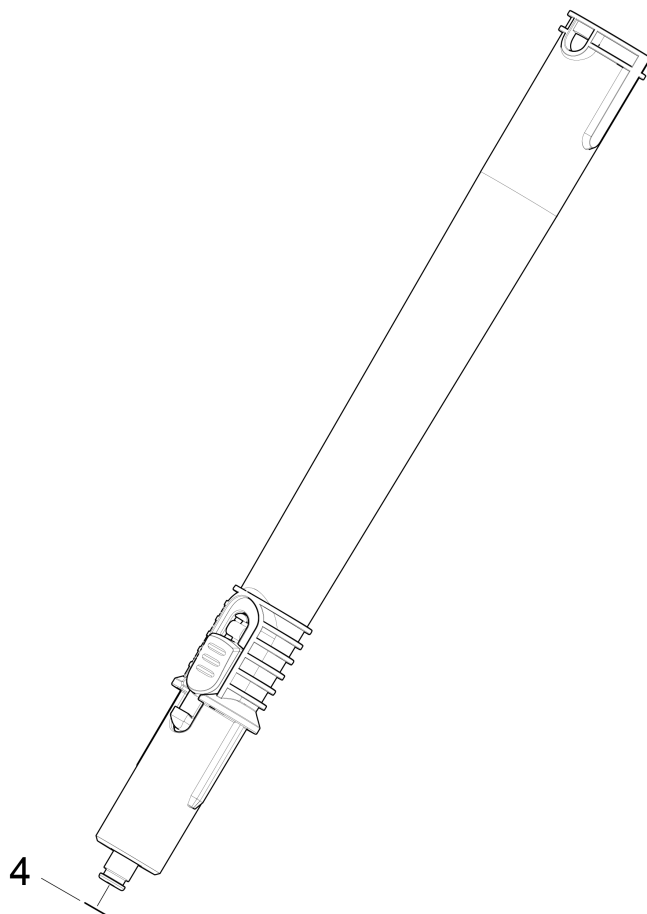
40 Accessories

POS	Article no.	Description	Quantity	Unit
1	2.884-280.0	Hand nozzle	1	PC
2	4.130-021.0	Point jet nozzle complete PA	1	PC
3	2.863-061.0	Bristle rink set CuZn	1	PC
3	2.863-264.0	Round brushes set	1	PC
4	2.863-270.0	Microfibre covers for hand nozzle	1	PC
5	2.863-267.0	Floor nozzle set EasyFix	1	PC
6	4.127-027.3	Extension pipe bk/gy	2	PC
7	6.362-922.0	O-Ring seal 8,73x1,78	2	PC
8	6.362-186.0	O-Ring seal 7,65X 1,78	1	PC
9	2.863-259.0	Microfibre floor cloths EasyFix (2-er Set)	1	PC
10	2.863-263.0	Power nozzle set	1	PC
11	2.863-022.0	Round brush large special accessories	1	PC
12	6.362-924.0	O-Ring seal 6,02X 2,62	1	PC
13	2.863-269.0	Carpet slider	1	PC
14	2.863-265.0	Microfibre cloth set kitchen	1	PC
14	2.863-266.0	Microfibre cloth set bath	1	PC



2 Point jet nozzle complete PA (4.130-021.0)

POS	Article no.	Description	Quantity	Unit
2	6.362-186.0	O-Ring seal 7,65X 1,78	1	PC



6 Extension pipe bk/gy (4.127-027.3)

POS	Article no.	Description	Quantity	Unit
3	7.777-999.0	Stockpiling discontinued	1	PC
4	6.362-922.0	O-Ring seal 8,73x1,78	1	PC

10 Power nozzle set (2.863-263.0)

POS	Article no.	Description	Quantity	Unit
2	6.362-924.0	O-Ring seal 6,02X 2,62	1	PC
