

## **Spare parts list**

(1.064-043.0) HDS 5/15 U \*EU

## Table of contents

---

HDS 5/15 U *EU (1.064-043.0)	4
Spare parts list HDS 5/15 U *EU (5.971-932.0)	5
10 Housing	6
13 Cover tank only for replacement (4.645-315.0)	8
20 Pump set	10
21 Cylinder head	11
3 Nozzle insert only for replacement (4.769-034.0)	13
4 Valve pin complete (4.584-022.0)	15
8 Overflow valve (4.591-038.0)	17
20 Valve (3 Stück) (2.884-916.0)	18
24 Drain plug only for replacement (4.132-007.0)	20
100 PUMP SET HD 5/12 C (2.883-997.0)	22
20 Valve (3 Stück) (2.884-916.0)	24
22 Safety system	26
23 Piston guidance	28
30 Motor	30
4 Motor complete nur fuer Ersatz (4.624-052.0)	32
1 Motor complete HDS 5/15	33
40 Blower	34
50 Fuel pump	36
60 Electric box	38
70 Flow heater	40
71 Burner cover	41
11 Conversion kit ignition electrode (2.638-974.0)	43
72 Heating coil	45
4 Vessel mantel complete (4.652-152.0)	47
12 Bottom pressure boiler (4.655-044.0)	49
80 Accessories	51
81 Hand trigger gun	52
82 Hand trigger gun	54
5 Lever complete (4.481-209.0)	56
83 High pressure hose	58
1 Hose assembly standard DN6 25MPa 10m (6.391-238.0)	60
84 Jet pipe	62
85 Triple jet nozzle	64
Triple jet nozzle only for replacement 0 (4.767-144.0)	66
2 Spare parts list triple jet nozzle (5.970-837.0)	67
10 Triple jet nozzle plastics	68

20 Triple jet nozzle brass

70

HDS 5/15 U \*EU (1.064-043.0)

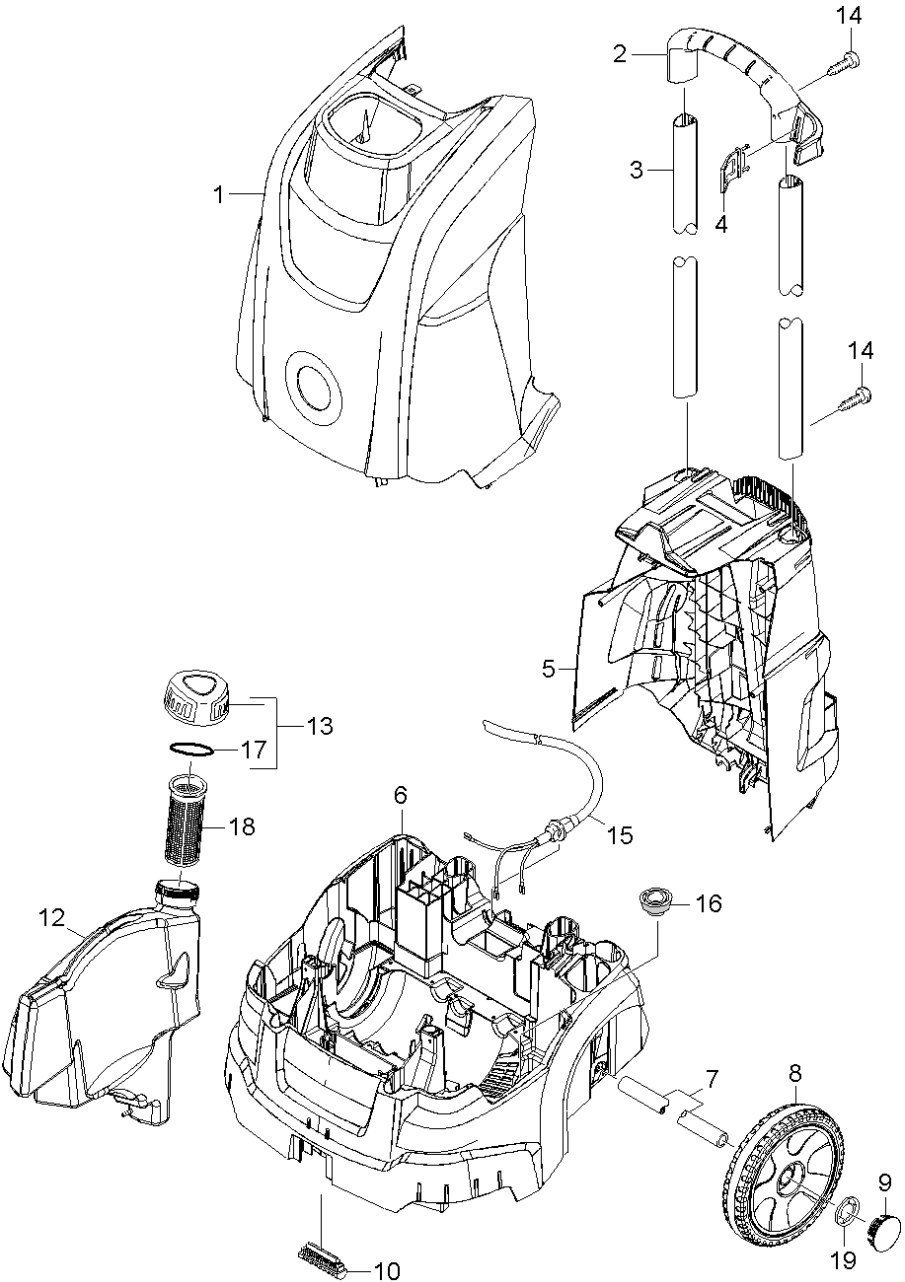
---

<b>POS</b>	<b>Article no.</b>	<b>Description</b>	<b>Quantity</b>	<b>Unit</b>
0	5.971-932.0	Spare parts list HDS 5/15 U *EU	1	PC

Spare parts list HDS 5/15 U \*EU (5.971-932.0)

---

<b>POS</b>	<b>Description</b>	<b>Quantity</b>	<b>Unit</b>
10	Housing	1	PC
20	Pump set	1	PC
30	Motor	1	PC
40	Blower	1	PC
50	Fuel pump	1	PC
60	Electric box	1	PC
70	Flow heater	1	PC
80	Accessories	1	PC



## 10 Housing

POS	Article no.	Description	Quantity	Unit	Foot note text
1	4.069-023.0	Cover neutrally nur fuer Ersatz	1	PC	
2	5.321-751.0	Handhold	1	PC	
3	5.107-291.0	Bar shearing shackle HDS upright U	2	PC	
4	5.044-216.0	Holder	1	PC	
5	5.065-732.0	Rear panel HDS upright	1	PC	
6	5.033-556.0	Chassis HDS upright	1	PC	
7	5.105-649.0	Wheel axle HDS upright	1	PC	
8	4.515-320.0	Wheel complete	1	PC	SET OF 2 PIECES
9	2.889-086.0	Set wheel cap	2	PC	SET OF 2 PIECES
10	5.057-062.0	Support	1	PC	
12	5.071-215.0	Tank fuel HDS upright	1	PC	
13	4.645-315.0	Cover tank only for replacement	1	PC	
14	7.303-047.0	Screw M6x16 -St-R3R (In6Rd)	4	PC	
15	4.649-044.0	Cable with plug nur für Ersatz	1	PC	
16	5.767-016.0	Rubber buffer	2	PC	
17	6.363-565.0	O-Ring seal 60x4	1	PC	
18	5.731-039.0	Filter	1	PC	
19	6.343-162.0	Lock washer -25	2	PC	





13 Cover tank only for replacement (4.645-315.0)

---

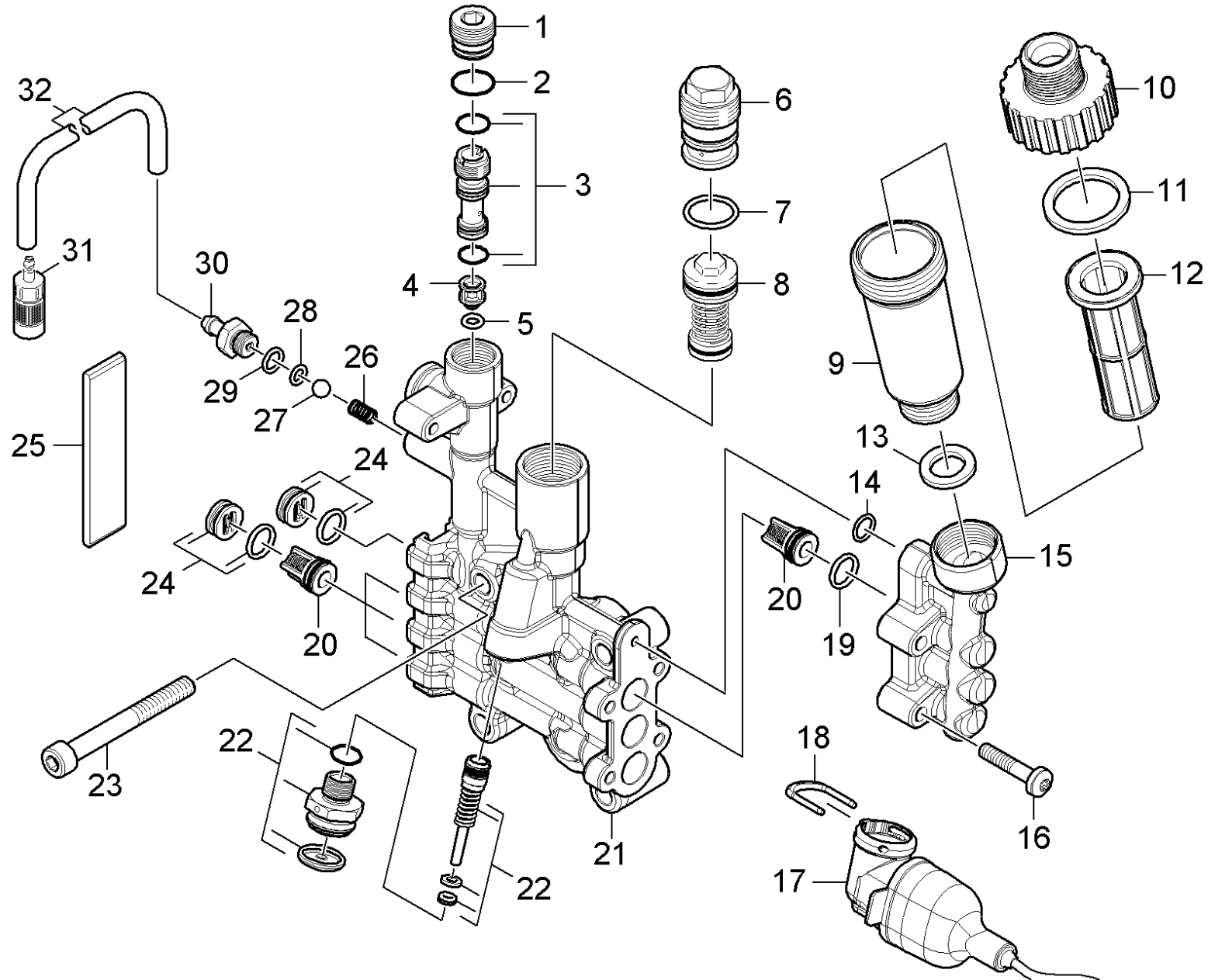
<b>POS</b>	<b>Article no.</b>	<b>Description</b>	<b>Quantity</b>	<b>Unit</b>
2	6.363-565.0	O-Ring seal 60x4	1	PC

---

## 20 Pump set

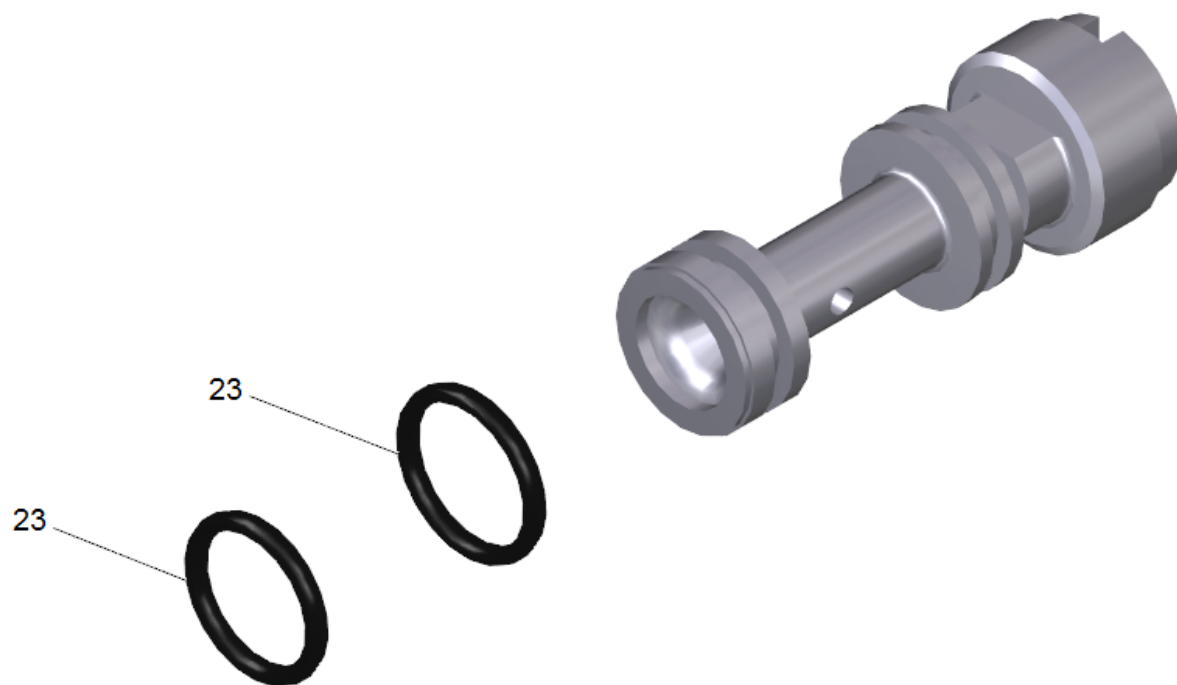
---

<b>POS</b>	<b>Description</b>	<b>Quantity</b>	<b>Unit</b>
21	Cylinder head	1	PC
22	Safety system	1	PC
23	Piston guidance	1	PC



## 21 Cylinder head

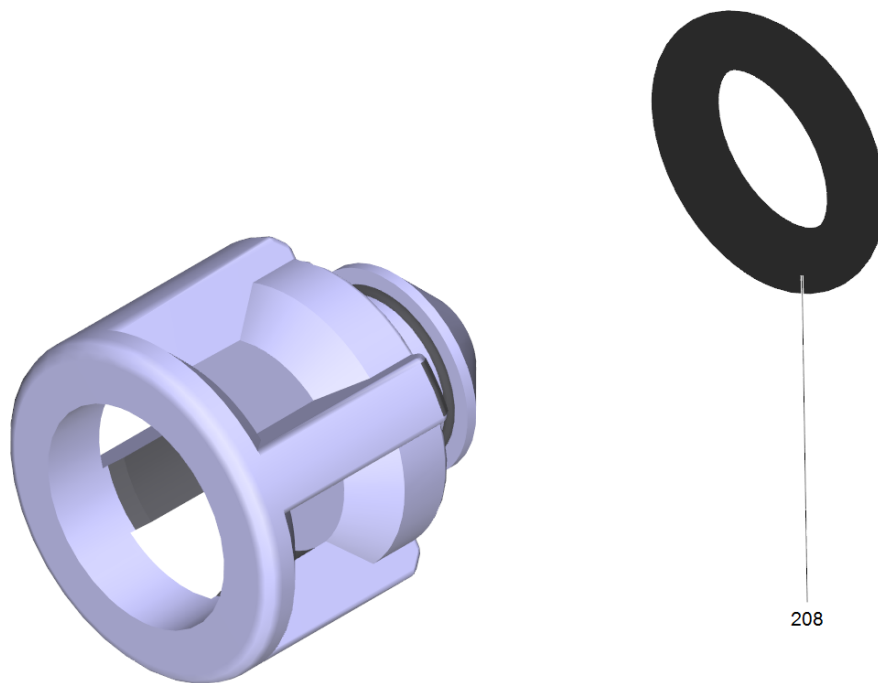
POS	Article no.	Description	Quantity	Unit	Foot note text
1	5.411-171.0	Screw plug	1	PC	
2	6.362-480.0	O-Ring seal 12,42x 1,78	1	PC	
3	4.769-034.0	Nozzle insert only for replacement	1	PC	
4	4.584-022.0	Valve pin complete	1	PC	
5	6.363-613.0	O-Ring seal 4 x 2 -NBR90	1	PC	
6	5.411-172.0	Screw plug	1	PC	
7	6.362-989.0	O-Ring seal 18x2 - NBR 80	1	PC	
8	4.591-038.0	Overflow valve	1	PC	
9	5.731-003.0	Filter housing brass	1	PC	
10	5.064-462.0	Cover water intake	1	PC	
11	5.363-336.0	Seal	1	PC	
12	5.731-587.0	Water filter	1	PC	
13	6.363-707.0	Flat gasket 24x17x2	1	PC	
14	6.362-384.0	O-Ring seal 9x1,5 - NBR 70	1	PC	
15	5.064-383.0	Suction cover	1	PC	
16	7.306-105.0	Screw M6x30 -8.8-R3R (In6Rd)	4	PC	
17	4.744-242.0	Switch kpl. -nur für Ersatz-	1	PC	
18	5.034-494.0	Retaining bracket	1	PC	
19	6.362-533.0	O-Ring seal 14,0 X 1,5-NBR 70	3	PC	
20	2.884-916.0	Valve (3 Stück)	2	PC	SET WITH 3 PIECES
21	5.550-372.0	Cylinder head	1	PC	
22	2.885-220.0	Spare part set control piston	1	PC	
23	7.306-106.0	Cylinder head screw M8x70 -8.8-A2E ISO4	4	PC	
24	4.132-007.0	Drain plug only for replacement	4	PC	
25	5.003-062.0	Plate	1	PC	
26	5.332-258.0	Helical spring	1	PC	
27	7.401-908.0	Sphere 7 G300 -1.4301 DIN 5401	1	PC	
28	6.363-597.0	O-Ring seal 5,28 x 1,78	1	PC	
29	6.362-113.0	O-Ring seal 6,0 x 2,0 NBR 70	1	PC	
30	5.443-624.0	Nipple	1	PC	
31	4.862-225.0	Filter chemistry regulation	1	PC	
32	6.388-216.0	Hose DN 5	1	m	TO ORDER AS CUT GOODS
100	2.883-997.0	PUMP SET HD 5/12 C	1	PC	



3 Nozzle insert only for replacement (4.769-034.0)

---

<b>POS</b>	<b>Article no.</b>	<b>Description</b>	<b>Quantity</b>	<b>Unit</b>
23	6.362-384.0	O-Ring seal 9x1,5 - NBR 70	2	PC



4 Valve pin complete (4.584-022.0)

---

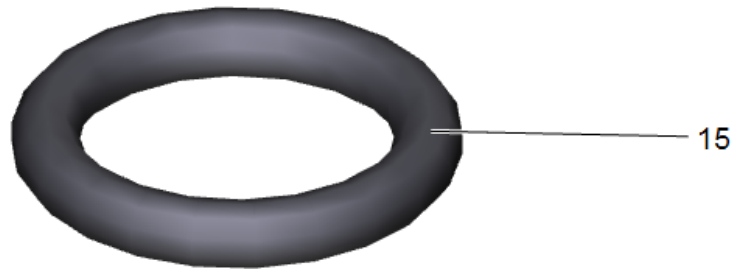
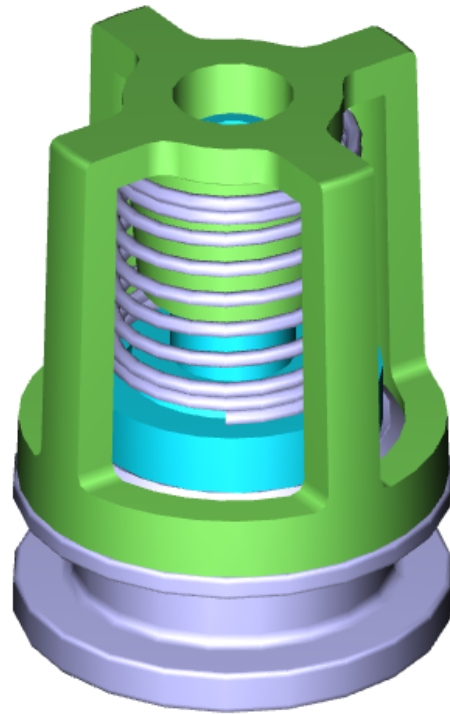
<b>POS</b>	<b>Article no.</b>	<b>Description</b>	<b>Quantity</b>	<b>Unit</b>
208	6.363-613.0	O-Ring seal 4 x 2 -NBR90	1	PC



## 8 Overflow valve (4.591-038.0)

---

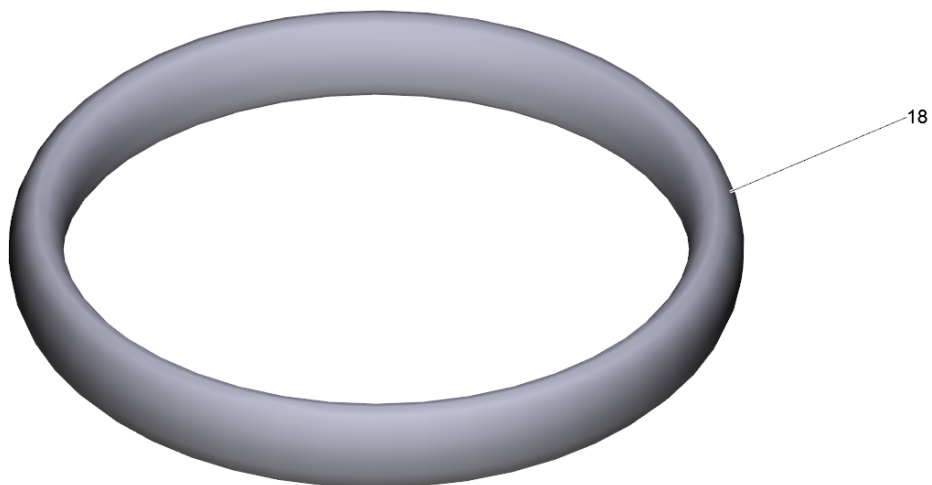
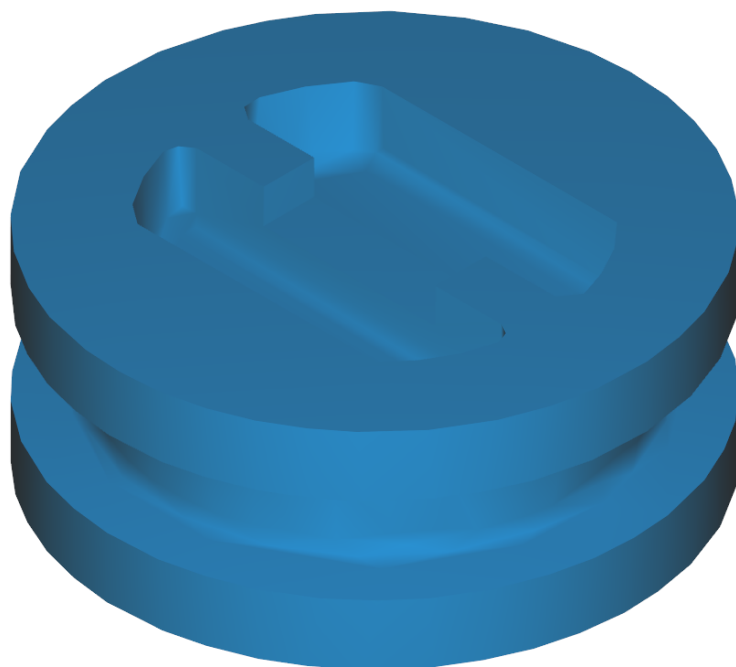
<b>POS</b>	<b>Article no.</b>	<b>Description</b>	<b>Quantity</b>	<b>Unit</b>
14	5.305-264.0	Shaped screw	1	PC
20	5.332-425.0	Helical spring	1	PC
26	5.553-390.0	Piston	1	PC
28	5.581-230.0	Valve seat	1	PC
44	6.362-169.0	O-Ring seal 12,0 X 2,0	1	PC
47	6.362-454.0	O-Ring seal complete 2ST.-R.	1	PC



20 Valve (3 Stück) (2.884-916.0)

---

POS	Article no.	Description	Quantity	Unit
15	6.362-077.0	O-Ring seal 10 x 2,2 NBR 70	1	PC

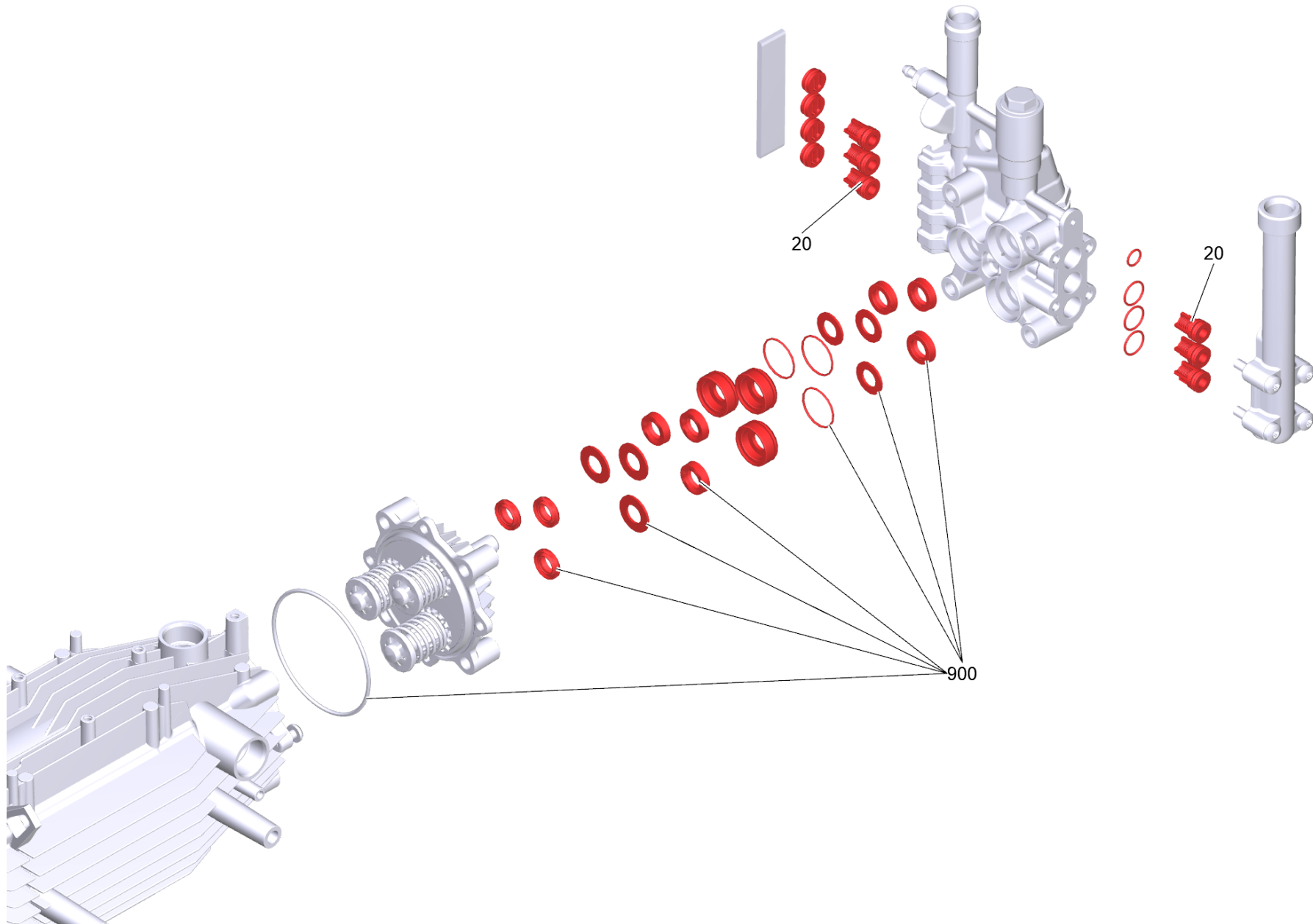


24 Drain plug only for replacement (4.132-007.0)

---

<b>POS</b>	<b>Article no.</b>	<b>Description</b>	<b>Quantity</b>	<b>Unit</b>
18	6.362-458.0	O-Ring seal 11,0x2,0-NBR 70	1	PC

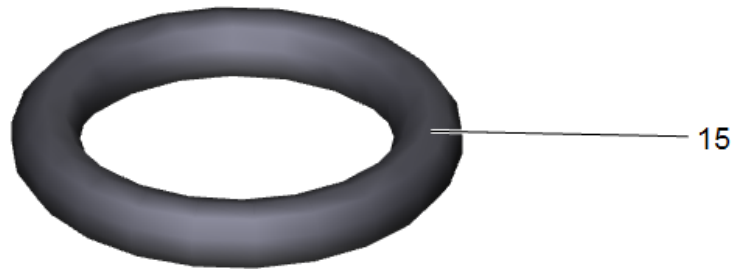
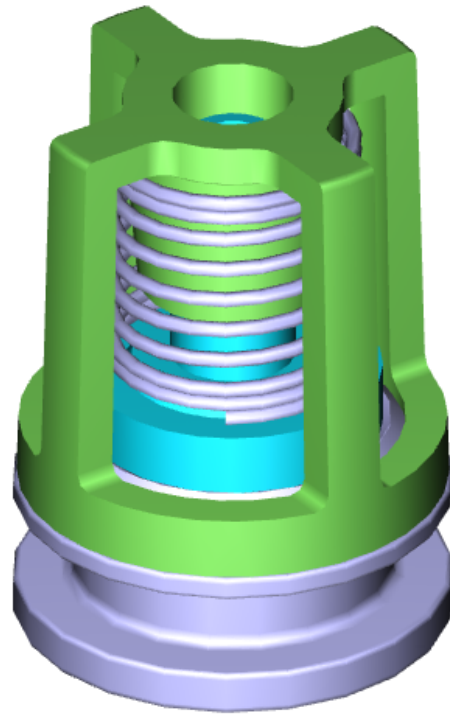
---



100 PUMP SET HD 5/12 C (2.883-997.0)

---

<b>POS</b>	<b>Article no.</b>	<b>Description</b>	<b>Quantity</b>	<b>Unit</b>
20	2.884-916.0	Valve (3 Stück)	2	PC
60	6.288-072.0	Silicon grease	1	PC
900	4.100-773.0	Set of gaskets	1	PC

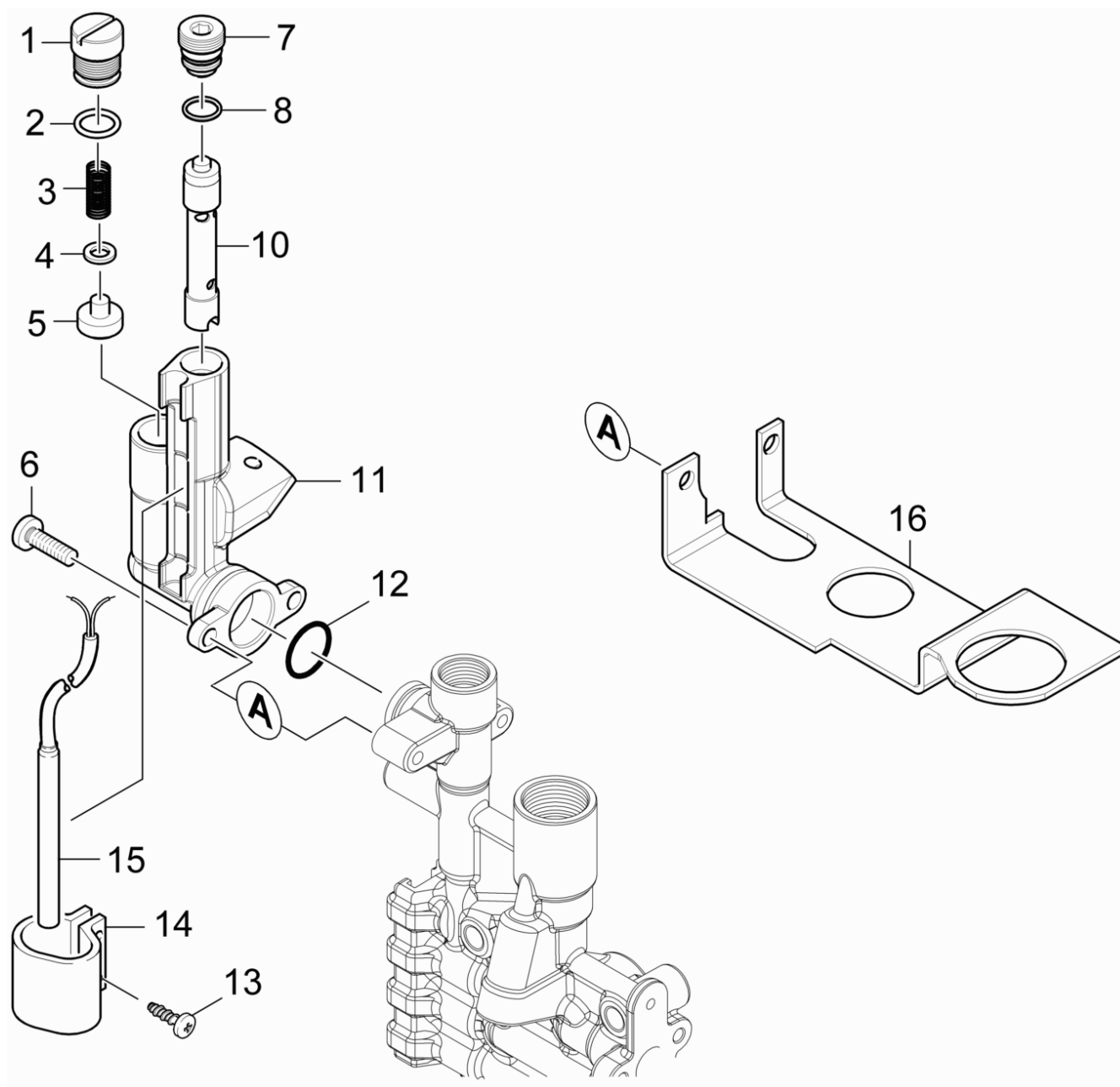




20 Valve (3 Stück) (2.884-916.0)

---

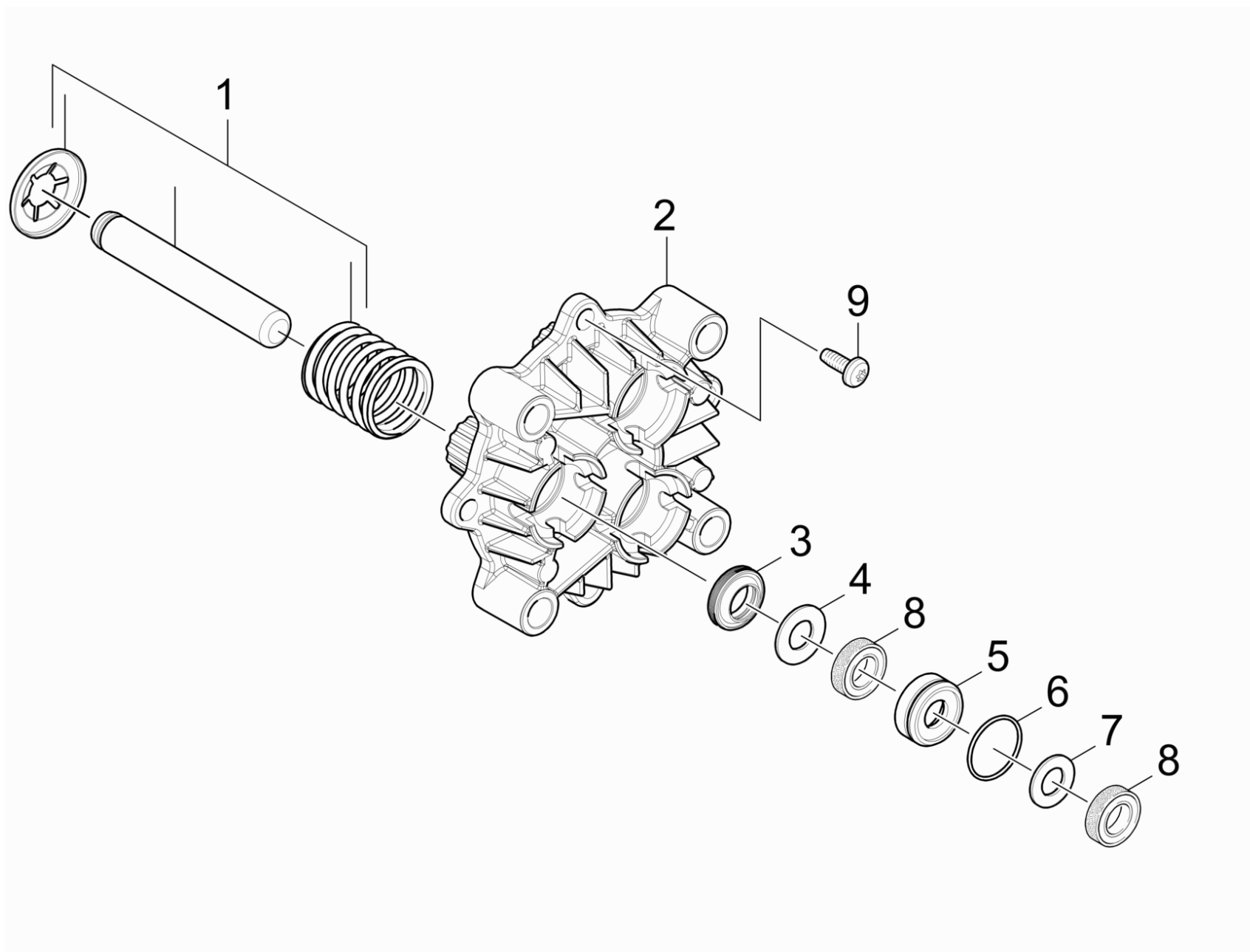
POS	Article no.	Description	Quantity	Unit
15	6.362-077.0	O-Ring seal 10 x 2,2 NBR 70	1	PC



## 22 Safety system

---

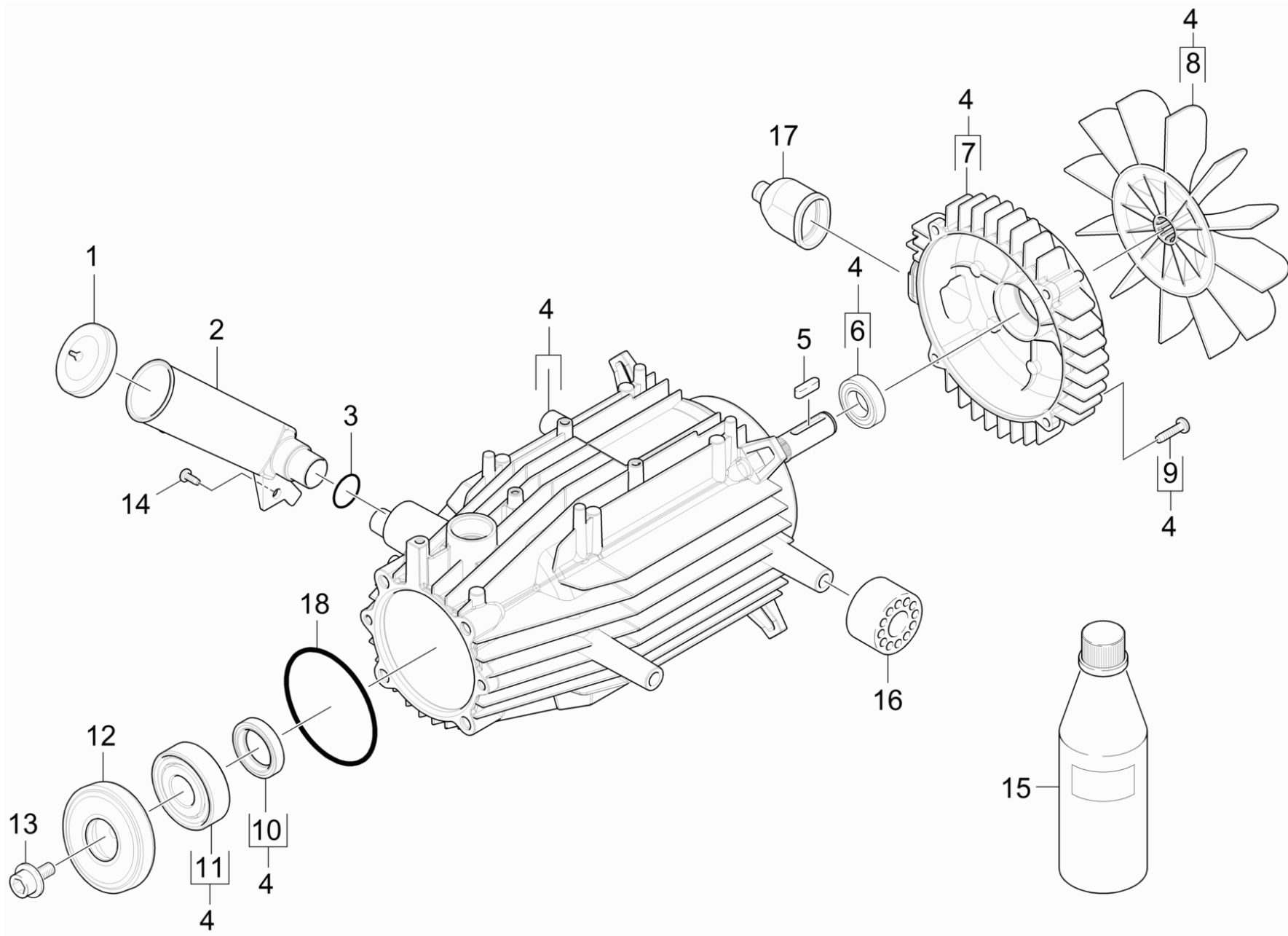
POS	Article no.	Description	Quantity	Unit
1	5.583-096.0	Valve screw	1	PC
2	6.362-169.0	O-Ring seal 12,0 X 2,0	1	PC
3	5.332-414.0	Helical spring	1	PC
4	5.115-260.0	Washer	1	PC
5	5.581-349.0	Valve disc	1	PC
6	7.306-023.0	Cylinder head screw M6x25 -8.8-A2E ISO4	2	PC
7	5.305-162.0	Shaped screw	1	PC
8	6.362-482.0	O-Ring seal 10 x 1,5-NBR 70	1	PC
10	4.551-058.0	Cartridge protection against water short	1	PC
11	5.427-454.3	Manifold	1	PC
12	6.362-580.0	O-Ring seal 17,0 X 2,0-NBR 70	1	PC
13	6.303-122.0	M4 .2X13 DIN 7981 TORX T15 PAN HD HI/LO	1	PC
14	5.041-076.0	Clamp	1	PC
15	2.885-222.0	Flow switch only for replacement	1	PC
16	5.017-901.0	Plate holder	1	PC



## 23 Piston guidance

---

<b>POS</b>	<b>Article no.</b>	<b>Description</b>	<b>Quantity</b>	<b>Unit</b>
1	4.553-289.0	Piston complete only for replacement	3	PC
2	5.061-018.3	Thrust guidance	1	PC
3	6.365-001.0	Grooved ring 12x20x4/6	3	PC
4	5.116-093.0	Washer	3	PC
5	5.112-726.0	Bush	3	PC
6	6.362-376.0	O-Ring seal 24,0 X 1,5	3	PC
7	5.115-721.0	Washer	3	PC
8	6.365-477.0	Grooved ring 12x20x5,3/2,8	6	PC
9	7.303-047.0	Screw M6x16 -St-R3R (In6Rd)	2	PC



## 30 Motor

POS	Article no.	Description	Quantity	Unit
1	5.064-457.0	Cover plate qusty grey oil	1	PC
2	5.070-862.0	Tank oil	1	PC
3	6.362-161.0	O-Ring seal 19,3 X 2,4	1	PC
4	4.624-052.0	Motor complete nur fuer Ersatz	1	PC
5	7.318-005.0	Parallel key 5x5x28-C45K DIN 6885	1	PC
6	6.401-331.0	Ball bearing	1	PC
7	5.094-127.0	Bearing cover B	1	PC
8	5.600-059.0	Blower wheel	1	PC
9	6.303-320.0	Screw M 5x 20-St-R2R	4	PC
10	7.367-001.0	Radial shaft seal ring A24x37x7 -NBR DI	1	PC
11	6.401-427.0	Angular contact ball bearing	1	PC
12	6.401-294.3	Wobble plate	1	PC
13	9.086-169.0	Wobble plate screw M8x16	1	PC
14	6.303-153.0	Screw M5x15-ST-R2R (IN6RD)	1	PC
15	6.288-050.0	Engine oil 1L	1	PC
16	5.767-005.0	Rubber buffer	4	PC
17	5.394-908.0	Protection part	1	PC
18	6.363-077.0	O-Ring seal 75x3	1	PC

#### 4 Motor complete nur fuer Ersatz (4.624-052.0)

---

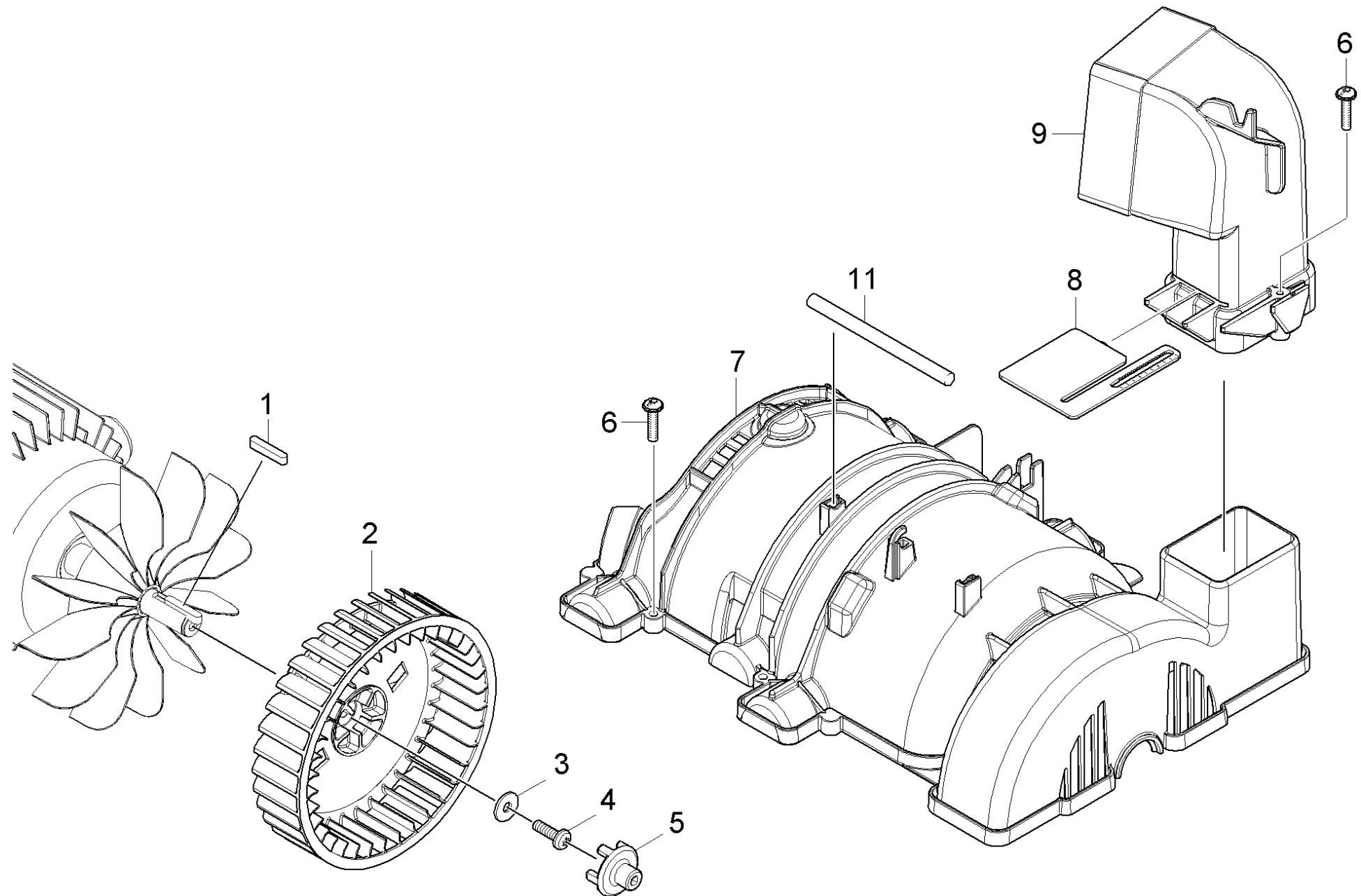
<b>POS</b>	<b>Article no.</b>	<b>Description</b>	<b>Quantity</b>	<b>Unit</b>
1		Motor complete HDS 5/15	1	PC
3	5.600-059.0	Blower wheel	1	PC



## 1 Motor complete HDS 5/15

---

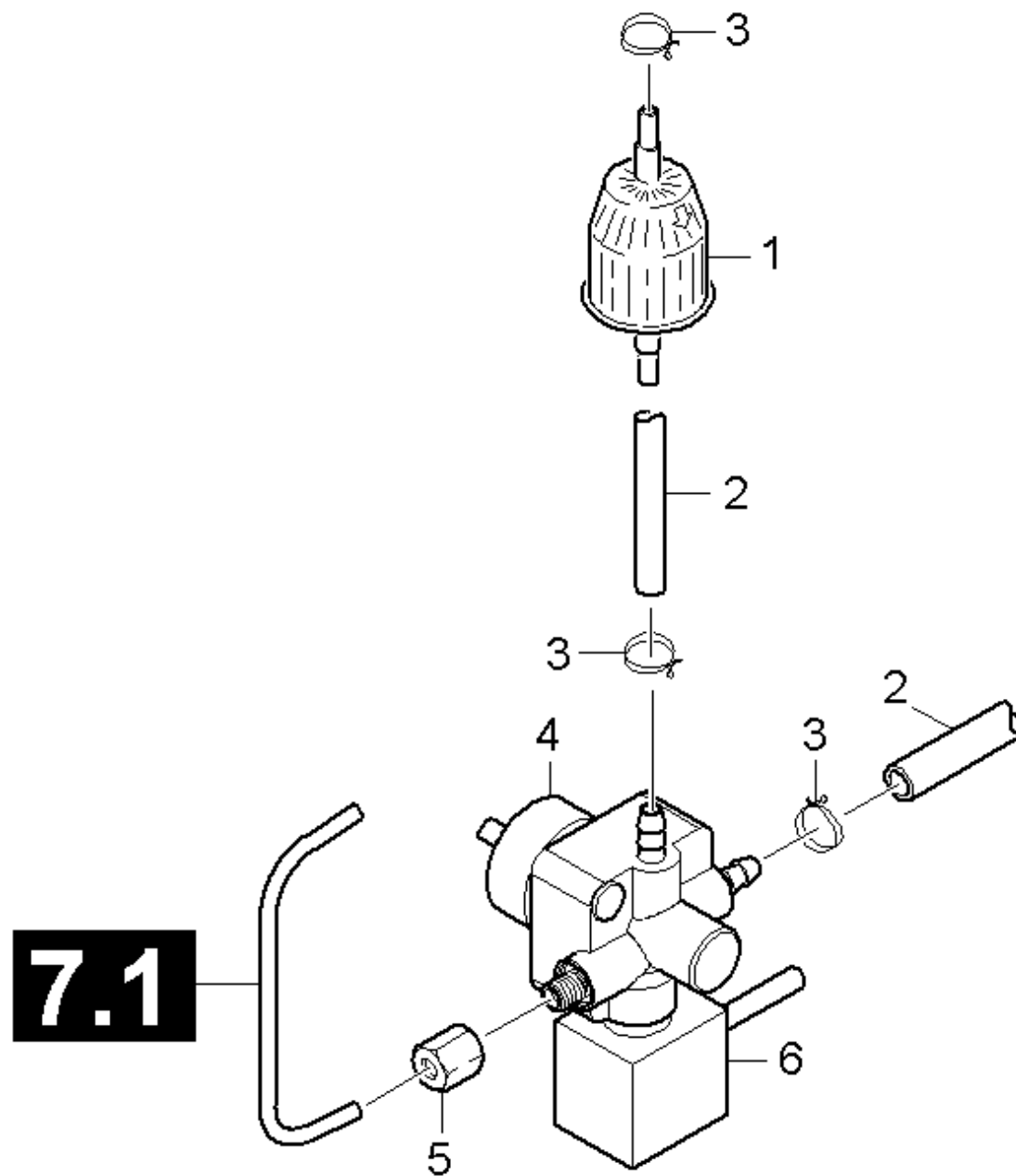
<b>POS</b>	<b>Article no.</b>	<b>Description</b>	<b>Quantity</b>	<b>Unit</b>
2	5.094-127.0	Bearing cover B	1	PC
8	6.303-320.0	Screw M 5x 20-St-R2R	4	PC
10	7.367-001.0	Radial shaft seal ring A24x37x7 -NBR DI	1	PC
13	6.401-427.0	Angular contact ball bearing	1	PC
14	6.401-331.0	Ball bearing	1	PC
21	6.288-103.0	Grease high-pressure pump	0,001	kg



## 40 Blower

---

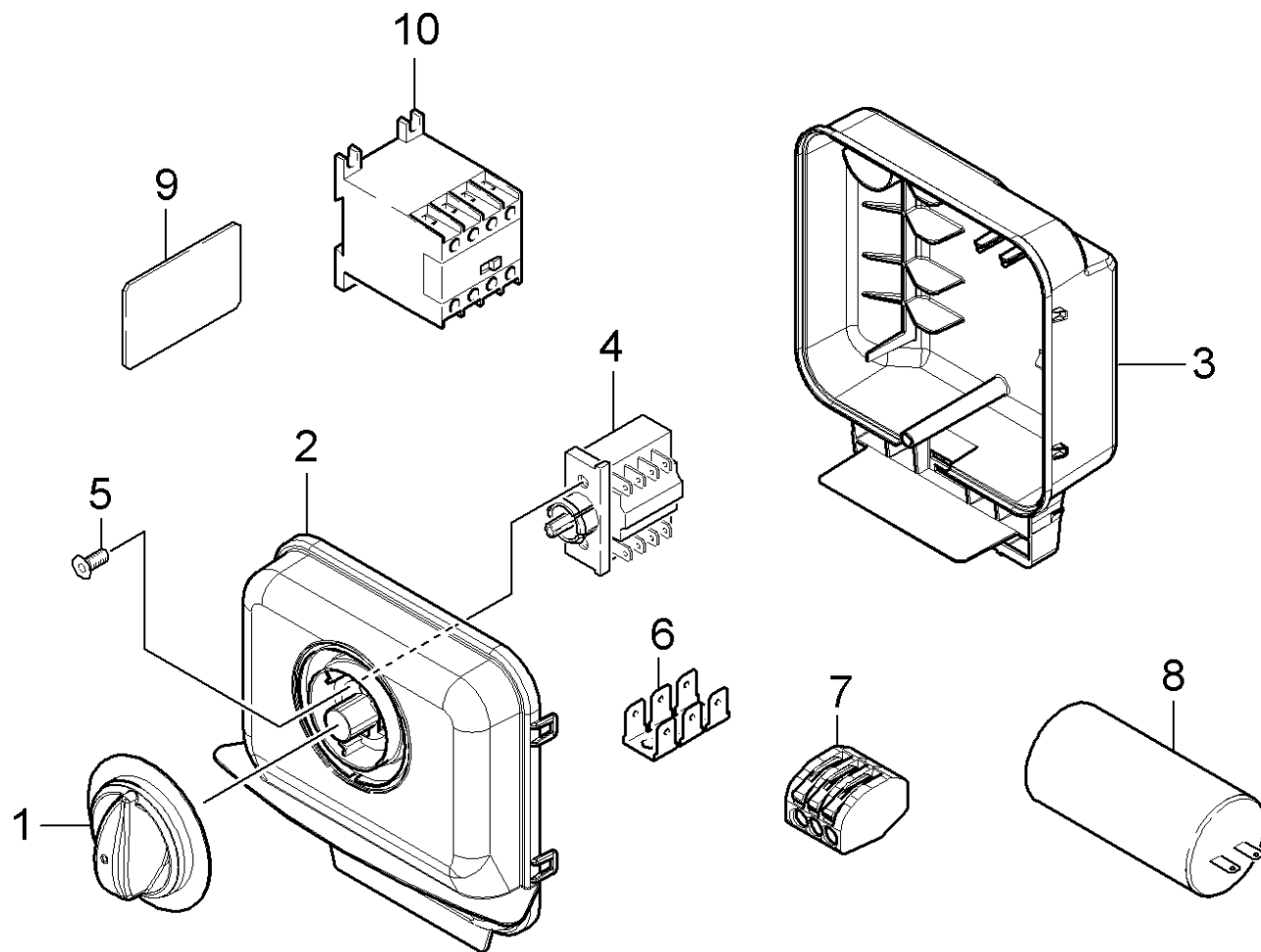
POS	Article no.	Description	Quantity	Unit
1	7.318-005.0	Parallel key 5x5x28-C45K DIN 6885	1	PC
2	5.600-062.0	Blower wheel	1	PC
3	7.312-276.0	Washer 6 -200HV-A2E ISO7093-1	1	PC
4	6.304-053.0	Screw M6X20-ZNBHL (Precote 30-3)	1	PC
5	5.471-097.0	Coupler fuel pump	1	PC
6	7.303-108.0	Screw 5x20 -10.9-R2R (In6Rd)	7	PC
7	5.692-103.0	Air circulation HDS upright	1	PC
8	5.606-010.0	Air flap HDS upright	1	PC
9	5.409-613.0	Adapter for blower	1	PC
11	5.027-215.0	Rod	1	PC



## 50 Fuel pump

---

POS	Article no.	Description	Quantity	Unit	Foot note text
1	6.414-413.0	Fuel filter	1	PC	
2	6.389-534.0	Hose	1	m	TO ORDER AS CUT GOODS
3	6.388-559.0	Hose clip	6	PC	
4	6.472-992.0	Fuel pump only for replacement	1	PC	
5	6.389-262.0	Union nut A 4-LL	1	PC	
6	6.473-559.0	Coil fuel pump	1	PC	



## 60 Electric box

---

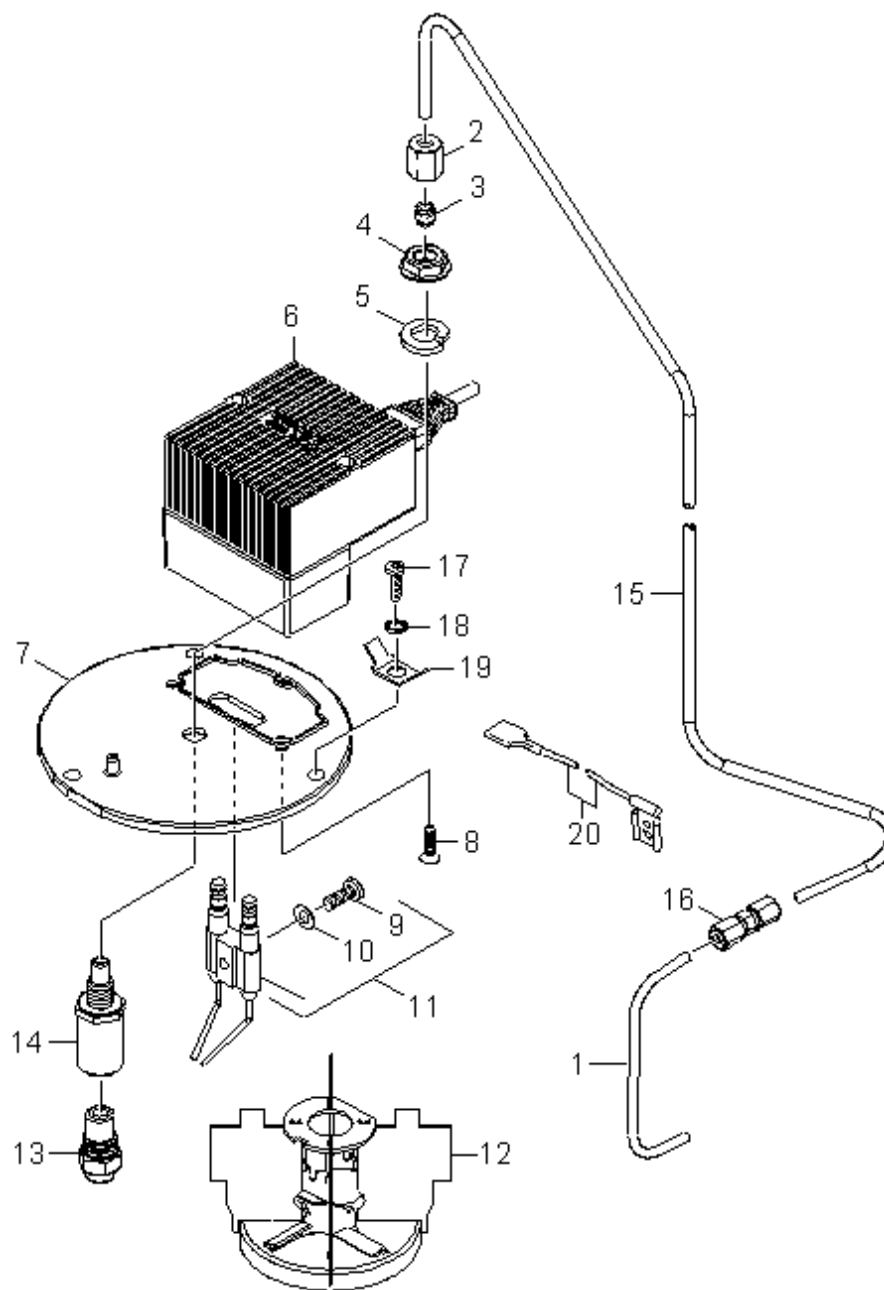
<b>POS</b>	<b>Article no.</b>	<b>Description</b>	<b>Quantity</b>	<b>Unit</b>
1	5.322-111.0	Handle	1	PC
2	5.064-353.0	Cover electric box HDS upright	1	PC
3	5.064-394.0	Bottom electric box	1	PC
4	6.630-471.0	Rotary switch	1	PC
5	7.305-019.0	Countersunk screw M4x16 -8.8-R2R (In6Rd	2	PC
6	6.641-270.0	Plug	1	PC
7	6.646-748.0	Clamp for cable 0,08-2,5mm <sup>2</sup>	1	PC
8	6.661-129.0	Capacitor 25MF	1	PC
9	5.048-251.0	Plate	1	PC
10	6.632-175.0	Contactora 4 KW /230V	1	PC

## 70 Flow heater

---

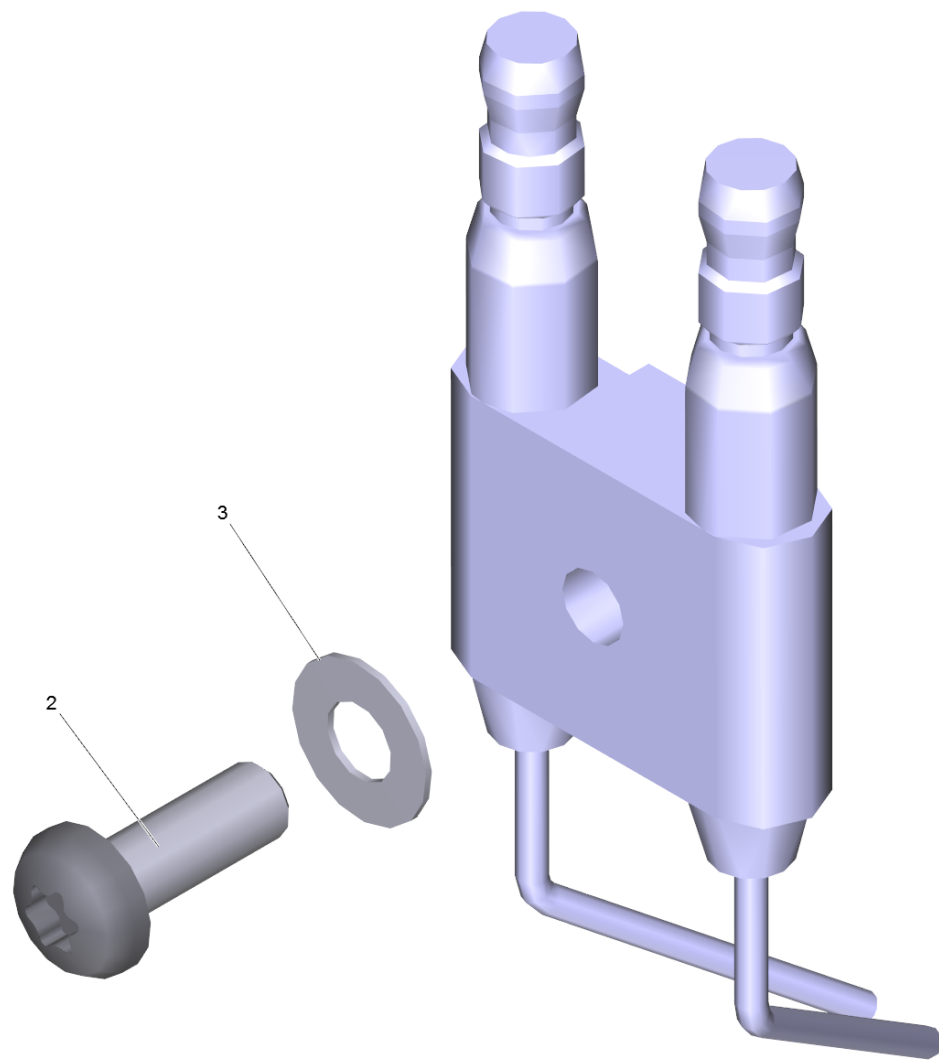
<b>POS</b>	<b>Description</b>	<b>Quantity</b>	<b>Unit</b>
71	Burner cover	1	PC
72	Heating coil	1	PC





## 71 Burner cover

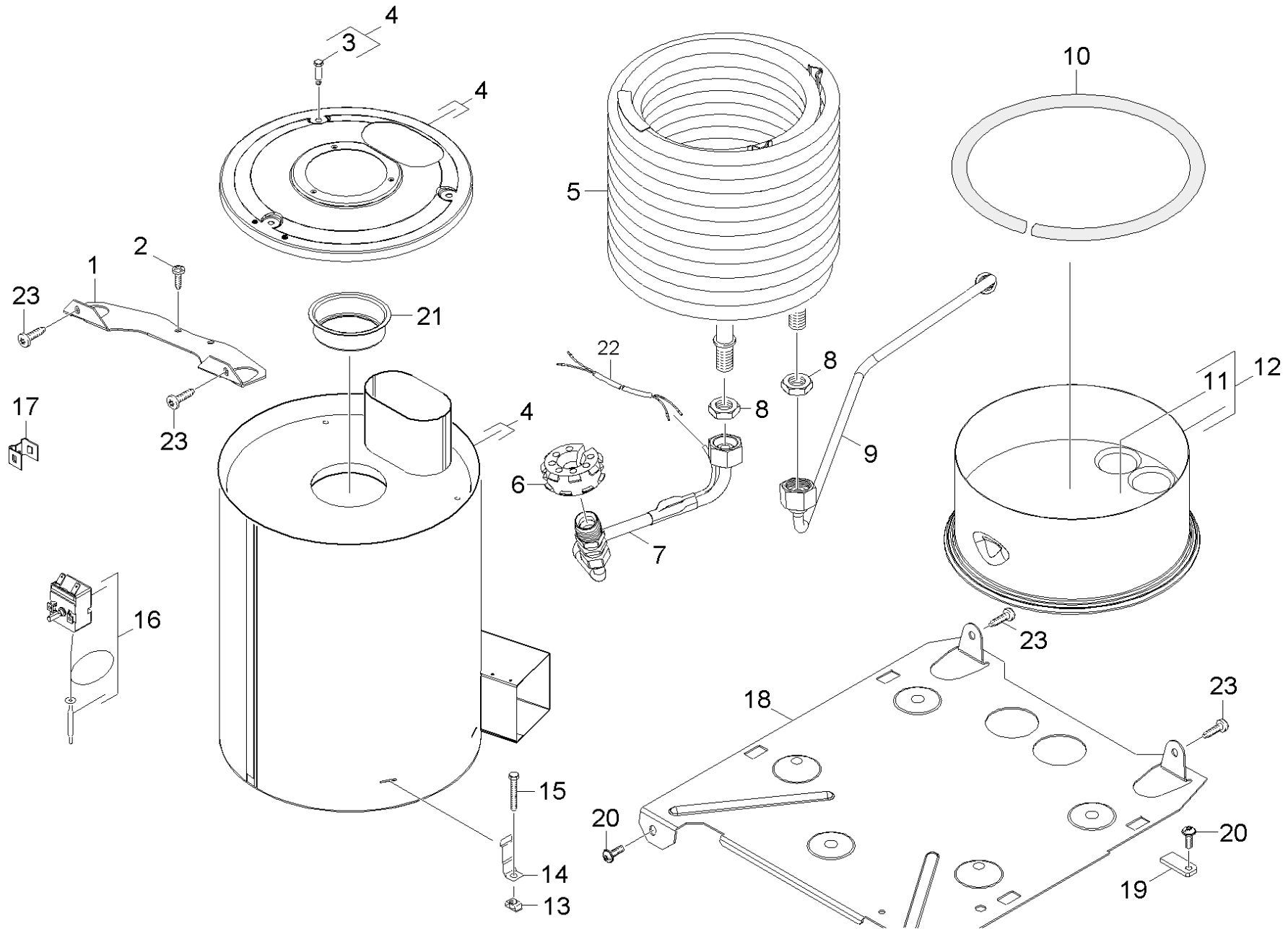
POS	Article no.	Description	Quantity	Unit
1	5.423-413.0	Conduit fuel	1	PC
2	6.389-262.0	Union nut A 4-LL	2	PC
3	6.389-263.0	Cutting ring d.4	2	PC
4	7.311-101.0	Hexagon nut M10x1 -04-A2E ISO 8675	1	PC
5	7.312-302.0	Spring washer B10-FST-A2E DIN 137	1	PC
6	4.622-021.0	Ignition transformer only for replacemen	1	PC
7	5.662-023.0	Burner cover	1	PC
8	7.303-125.0	Countersunk screw 4x16 -10.9-R2R (In6Rd	3	PC
9	7.306-217.0	Screw M5x14 -8.8-R2R (In6Rd)	1	PC
10	7.312-304.0	Spring washer B 5-FST-A2E DIN 137	1	PC
11	2.638-974.0	Conversion kit ignition electrode	1	PC
12	4.663-141.0	Baffle plate complete	1	PC
13	6.415-920.0	Burner nozzle	1	PC
14	5.667-055.0	Nozzle holder	1	PC
15	5.423-414.0	Conduit fuel	1	PC
16	6.392-208.0	Screw connector	1	PC
17	7.303-038.0	Screw M5x12 -St-P2R (In6Rd)	3	PC
18	7.312-172.0	Toothed lock washer A5,3-FSt-A3E DIN 6797	1	PC
19	6.641-269.0	Tab	1	PC
20	4.821-131.0	Cable 1,5x1240-GG	1	PC



## 11 Conversion kit ignition electrode (2.638-974.0)

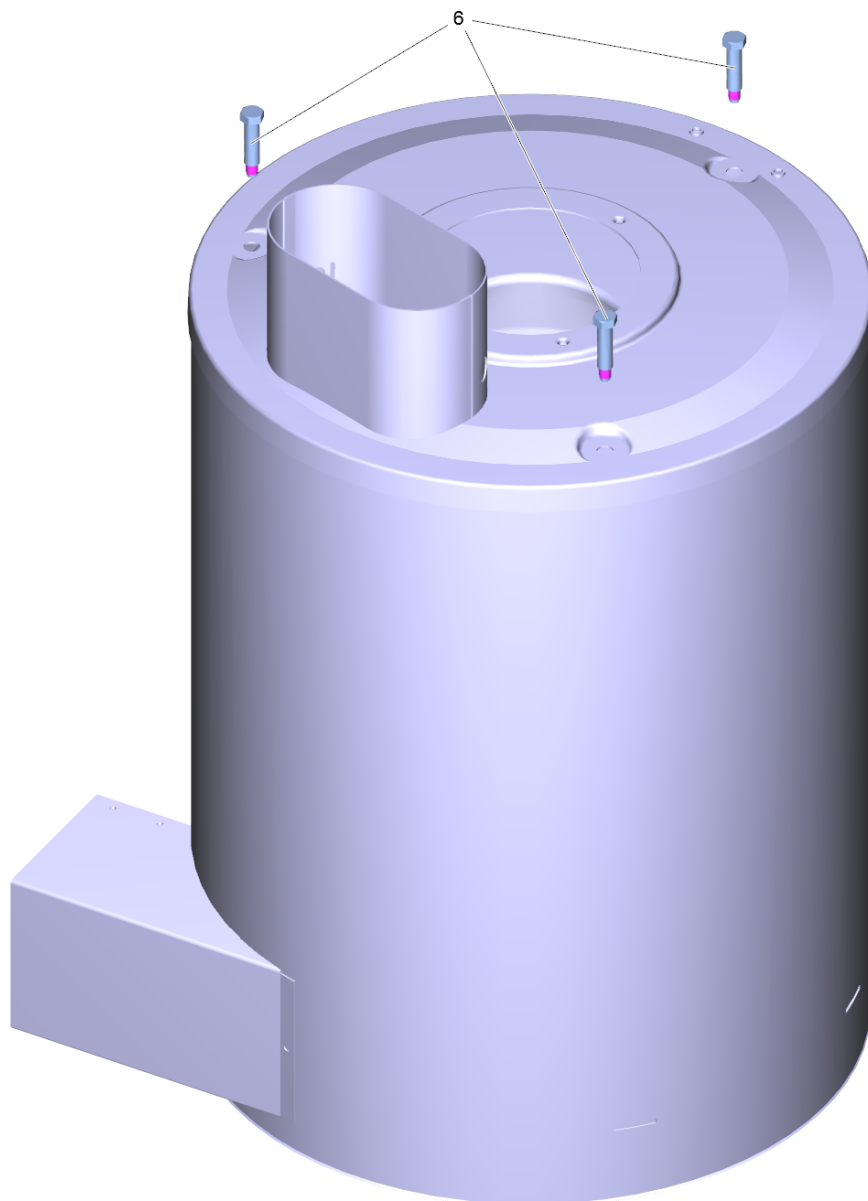
---

<b>POS</b>	<b>Article no.</b>	<b>Description</b>	<b>Quantity</b>	<b>Unit</b>
2	7.306-217.0	Screw M5x14 -8.8-R2R (In6Rd)	1	PC
3	7.312-304.0	Spring washer B 5-FST-A2E DIN 137	1	PC



## 72 Heating coil

POS	Article no.	Description	Quantity	Unit
1	5.010-350.0	Plate shearing shackle	1	PC
2	7.303-038.0	Screw M5x12 -St-P2R (In6Rd)	2	PC
3	6.303-258.0	Self-tapping screw	3	PC
4	4.652-152.0	Vessel mantel complete	1	PC
5	4.680-154.0	Heating coil	1	PC
6	5.767-023.0	Rubber buffer	1	PC
7	4.422-954.0	Pipelines complete HDS upright U	1	PC
8	7.311-112.0	Hexagon nut M22X1,5 -22H-A2E DIN 936	2	PC
9	4.422-976.0	Pipelines complete	1	PC
10	6.366-009.0	Seal string	1	PC
11	2.889-061.0	Refractory material 8kg	1	PC
12	4.655-044.0	Bottom pressure boiler	1	PC
13	6.310-081.0	Cage nut M 8	4	PC
14	5.044-420.0	Holder	4	PC
15	7.304-051.0	Hexagonal head screw M 8x16 -8.8-P2R EN 1665	4	PC
16	6.686-502.0	Thermostat fixed adjusted	1	PC
17	5.034-834.0	Holder probe	1	PC
18	5.010-349.0	Bottom plate HDS upright	1	PC
19	5.503-018.0	Plate quick lock	1	PC
20	7.303-108.0	Screw 5x20 -10.9-R2R (In6Rd)	3	PC
21	5.664-272.0	Flame tube	1	PC
22	6.686-469.0	Cable temperature limiter	1	PC
23	7.303-047.0	Screw M6x16 -St-R3R (In6Rd)	4	PC



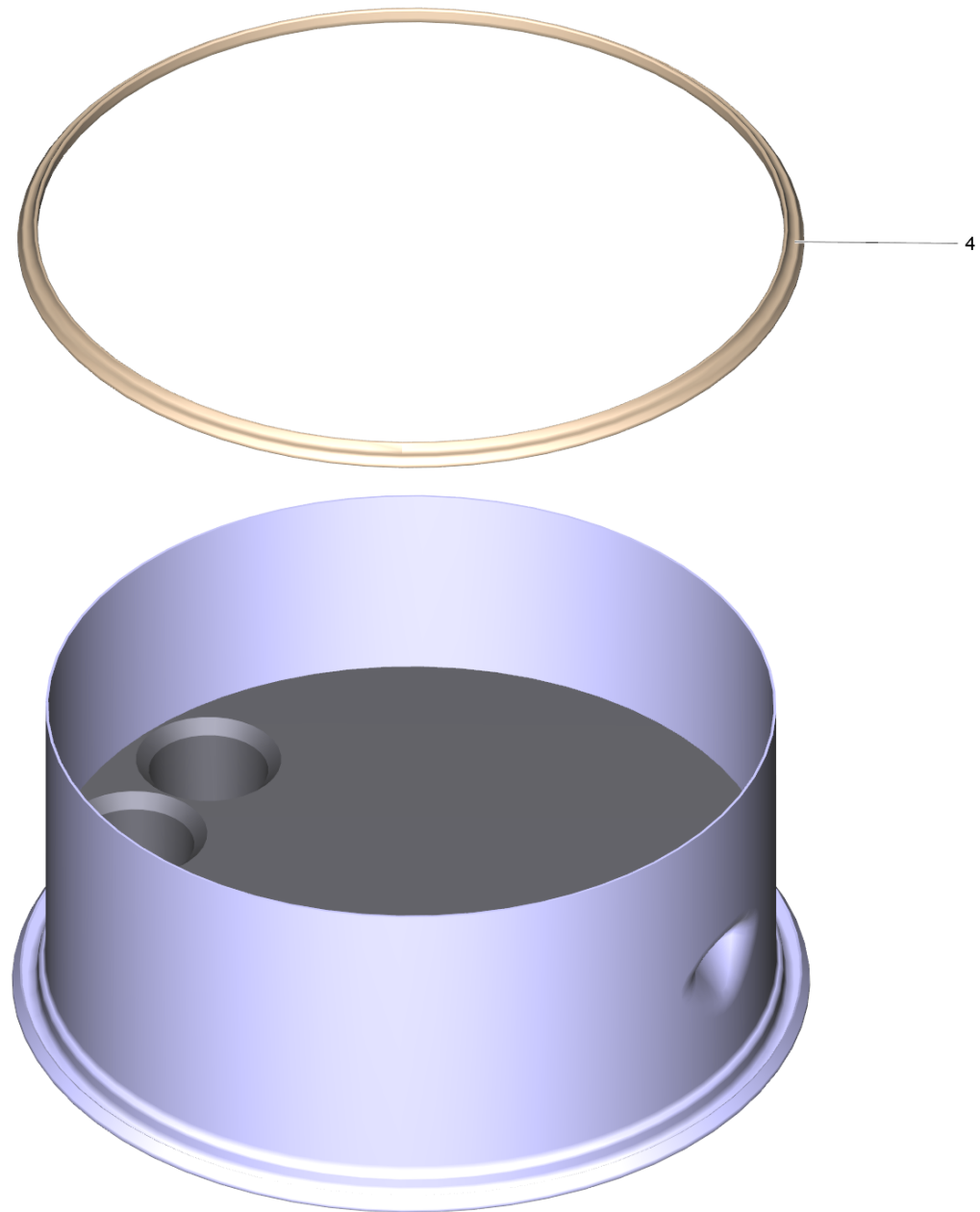
4 Vessel mantel complete (4.652-152.0)

---

POS	Article no.	Description	Quantity	Unit
6	6.303-258.0	Self-tapping screw	3	PC

---





## 12 Bottom pressure boiler (4.655-044.0)

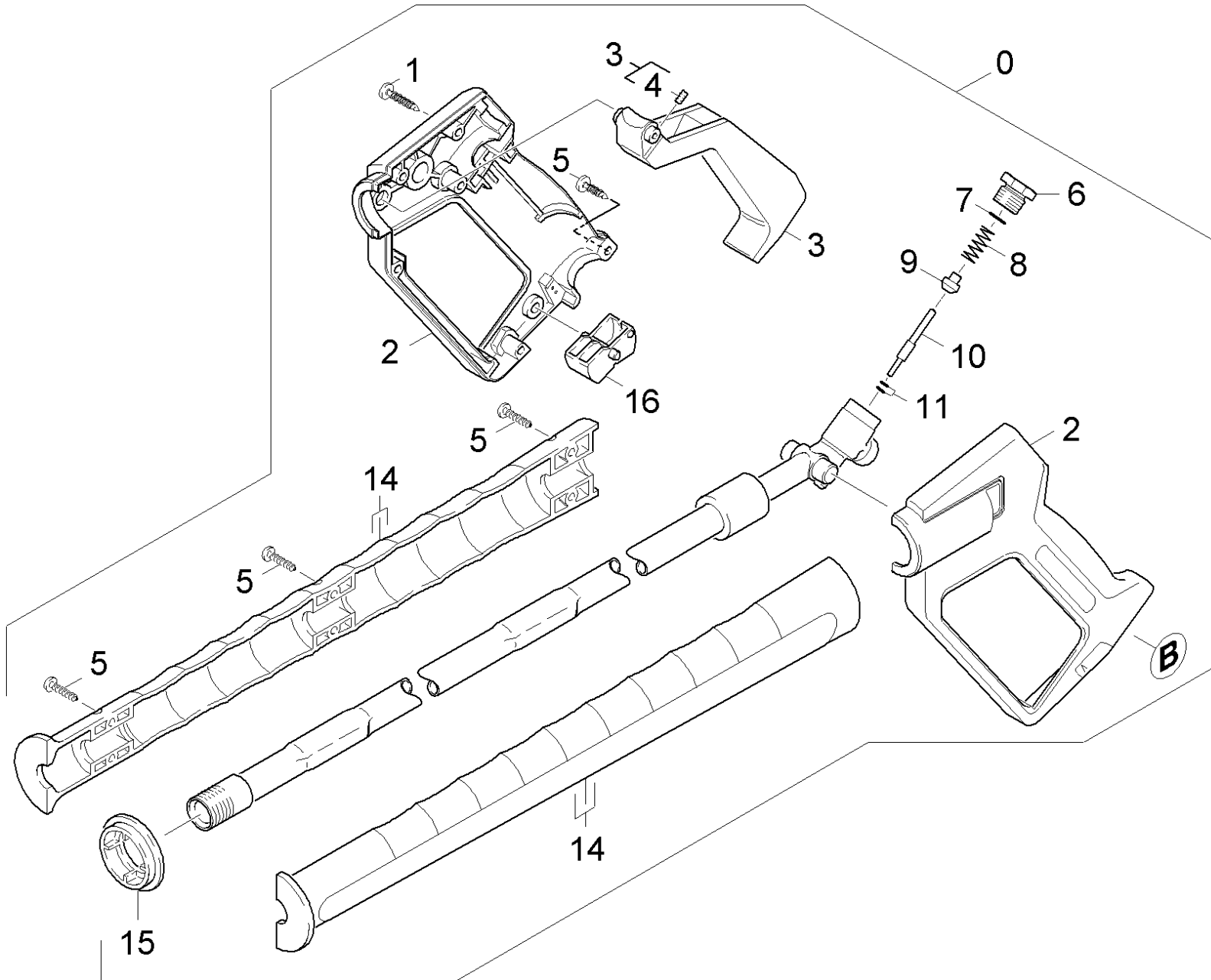
---

<b>POS</b>	<b>Article no.</b>	<b>Description</b>	<b>Quantity</b>	<b>Unit</b>
4	6.366-009.0	Seal string	1	PC
6	6.869-024.0	Quick-bonding agent	0,004	ZST

## 80 Accessories

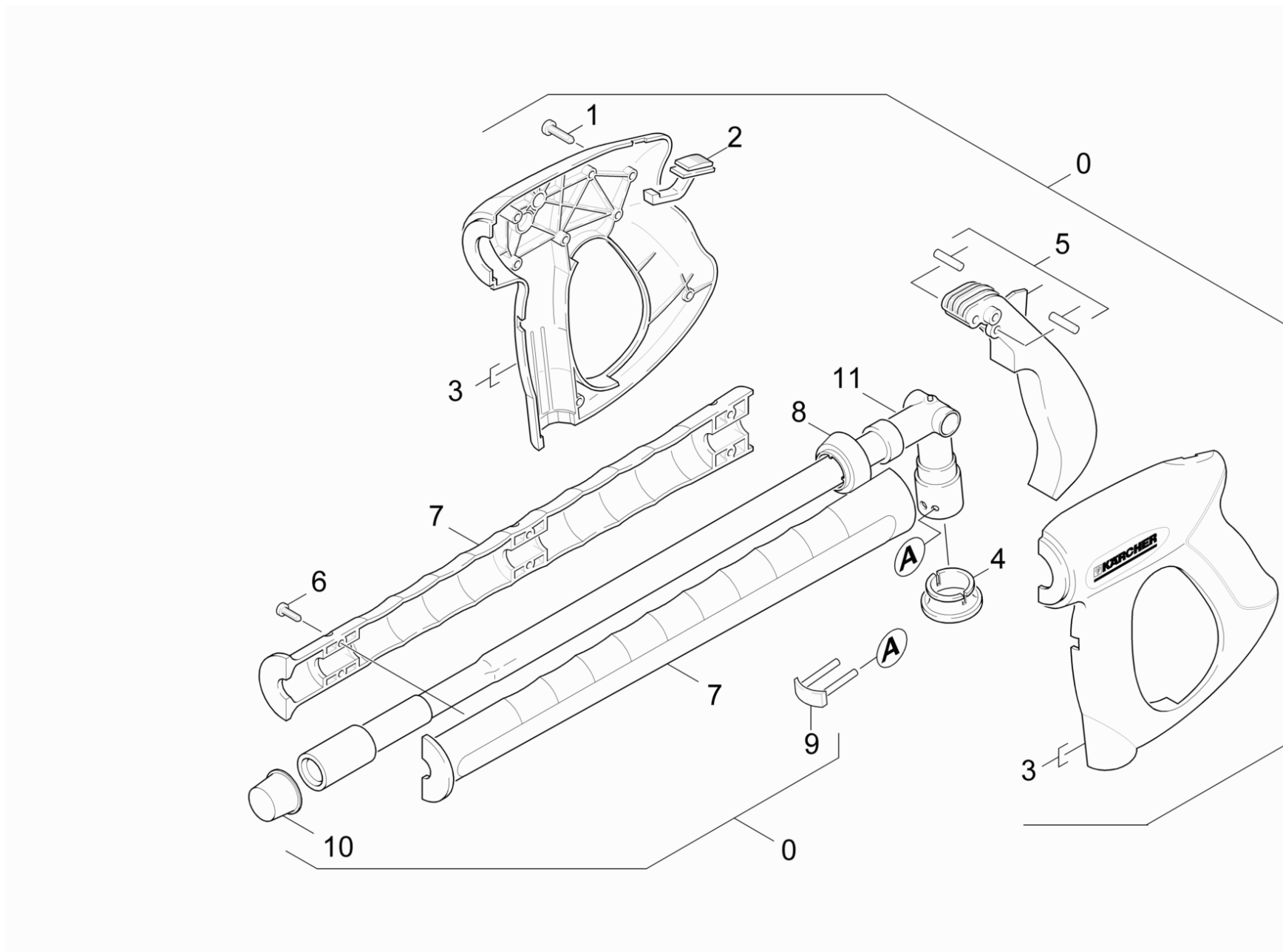
---

<b>POS</b>	<b>Description</b>	<b>Quantity</b>	<b>Unit</b>	<b>Foot note text</b>
81	Hand trigger gun	1	PC	VERSION 1
82	Hand trigger gun	1	PC	VERSION 2
83	High pressure hose	1	PC	
84	Jet pipe	1	PC	
85	Triple jet nozzle	1	PC	



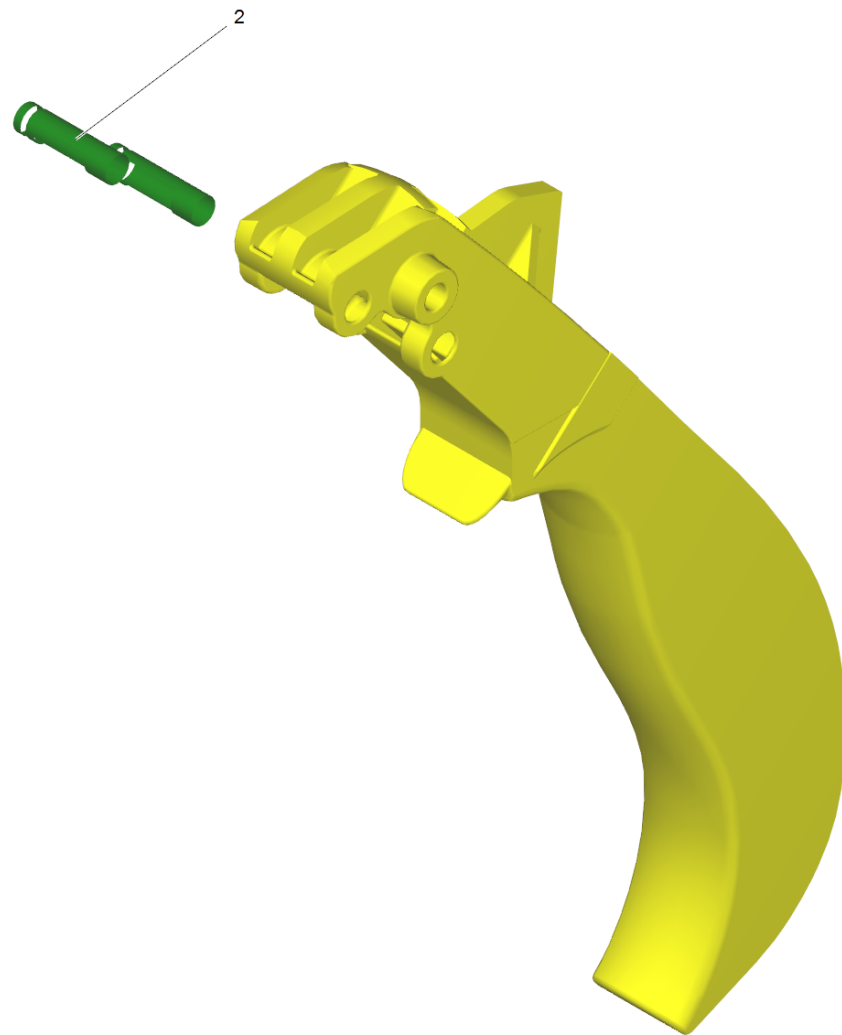
## 81 Hand trigger gun

POS	Article no.	Description	Quantity	Unit	Foot note text
0	7.777-999.0	Stockpiling discontinued	1	PC	ORDER VERSION 2
1	7.303-096.0	Screw 4x22 -ST-10.9-R2R (IN6RD)	6	PC	
2	5.321-206.0	Handhold few	1	PC	
3	4.481-050.0	Lever	1	PC	
4	7.307-417.0	Threaded pin M8x16 -45H-A2E ISO 4026	1	PC	
5	7.303-129.0	Screw 4x16 -10.9-R2R (K-In6Rd)	7	PC	
6	5.411-067.0	Screw plug	1	PC	
7	6.362-584.0	O-Ring seal 12,42X 1,78	1	PC	
8	5.332-157.0	Helical spring	1	PC	
9	5.582-058.0	Valve disc	1	PC	
10	5.107-259.0	Bar	1	PC	
11	4.880-069.0	Spare part O-ring kit	1	PC	
14	5.322-083.0	Handhold few extended Low End	1	PC	
15	5.031-259.0	Moulded part	1	PC	
16	5.481-052.0	Lever	1	PC	



## 82 Hand trigger gun

POS	Article no.	Description	Quantity	Unit
0	4.775-529.0	Trigger gun	1	PC
1	7.303-096.0	Screw 4x22 -ST-10.9-R2R (IN6RD)	7	PC
2	5.481-331.0	Slider	1	PC
3	5.322-082.0	Handhold few hand trigger gun Low End	1	PC
4	5.110-596.0	Sleeve	1	PC
5	4.481-209.0	Lever complete	1	PC
6	7.303-129.0	Screw 4x16 -10.9-R2R (K-In6Rd)	6	PC
7	5.322-083.0	Handhold few extended Low End	1	PC
8	5.032-801.0	Moulded part	1	PC
9	4.037-013.0	Hook	1	PC
10	6.368-012.0	Protecting cap 22X1,5	1	PC
11	4.427-363.0	Manifold complete only for replacement L	1	PC



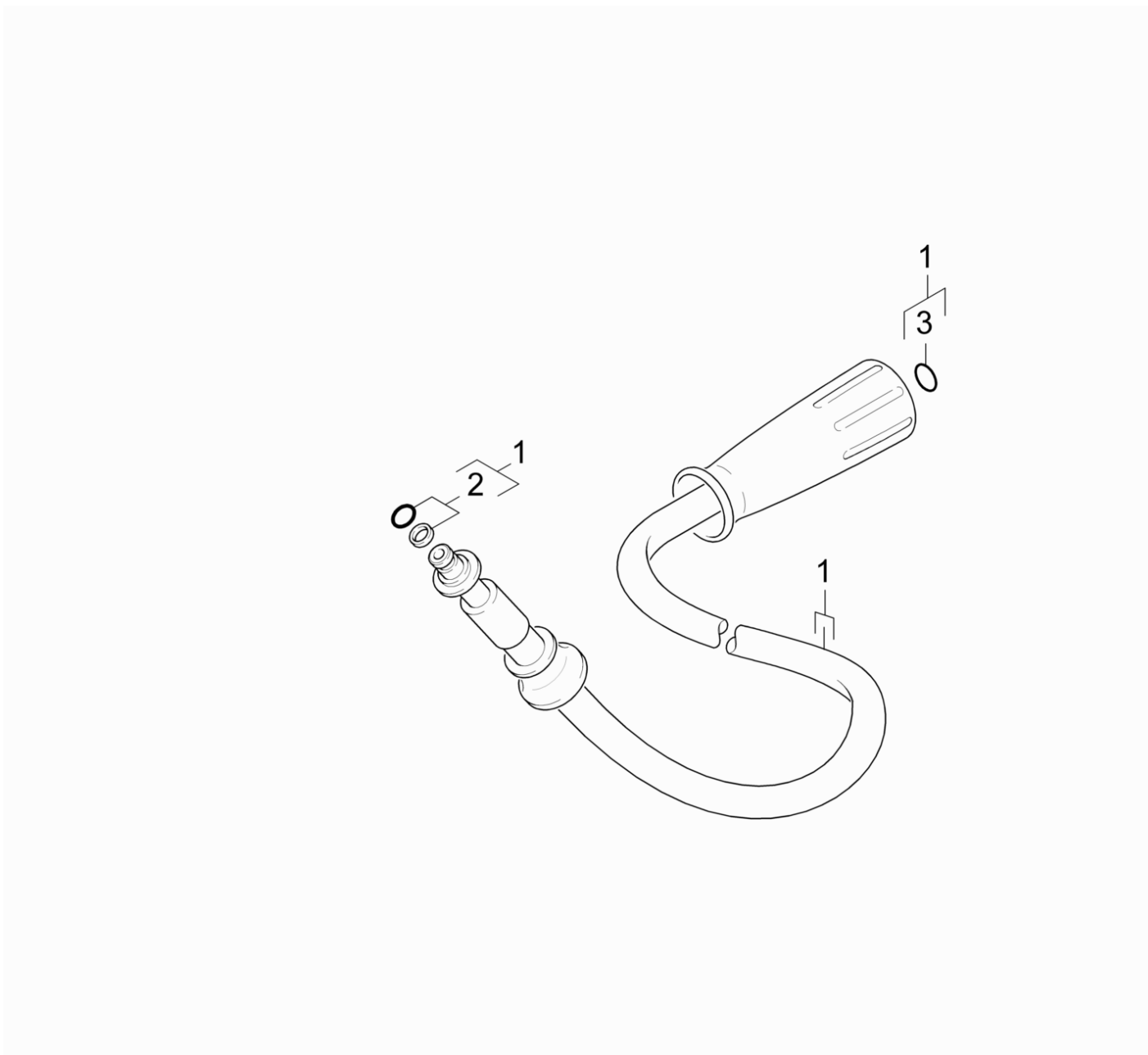


5 Lever complete (4.481-209.0)

---

<b>POS</b>	<b>Article no.</b>	<b>Description</b>	<b>Quantity</b>	<b>Unit</b>
2	5.314-119.0	Pin	2	PC

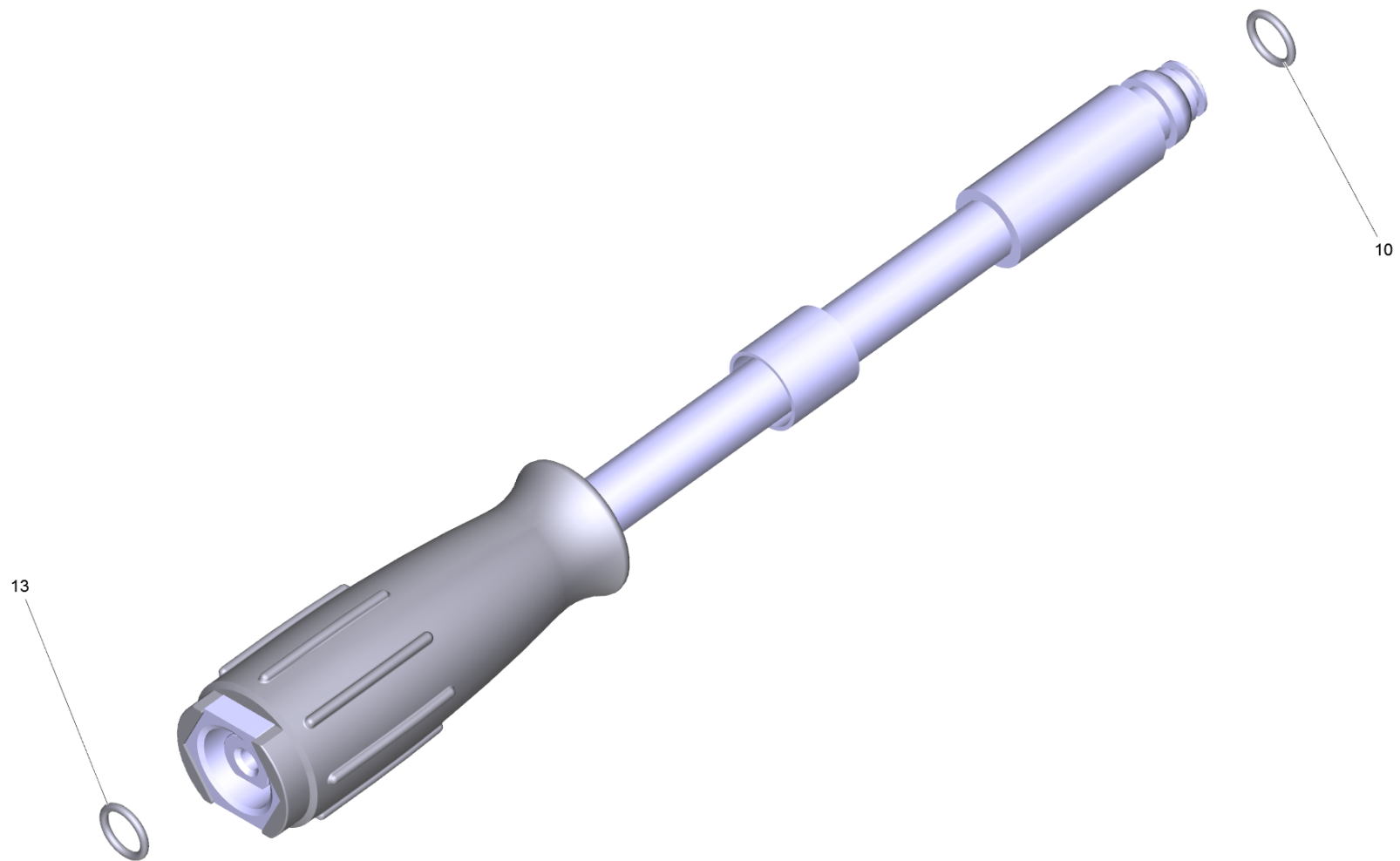
---



## 83 High pressure hose

---

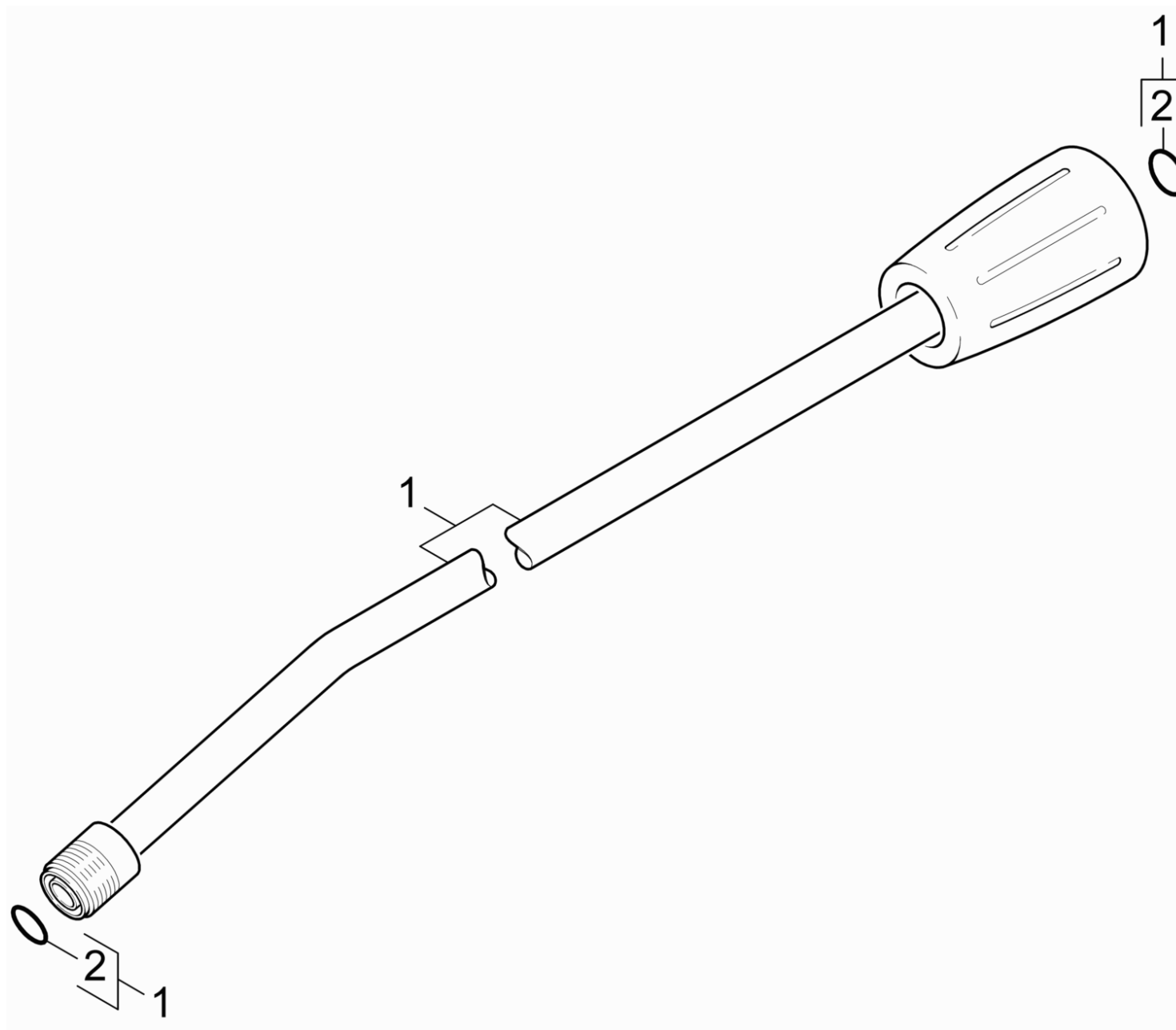
<b>POS</b>	<b>Article no.</b>	<b>Description</b>	<b>Quantity</b>	<b>Unit</b>
1	6.391-238.0	Hose assembly standard DN6 25MPa 10m	1	PC
2	4.363-691.0	O-Ring seal kpl. -nur fuer Ersatz-	1	PC
3	2.880-990.0	Spare part set O-Ring 5x -Kaercher	1	PC



1 Hose assembly standard DN6 25MPa 10m (6.391-238.0)

---

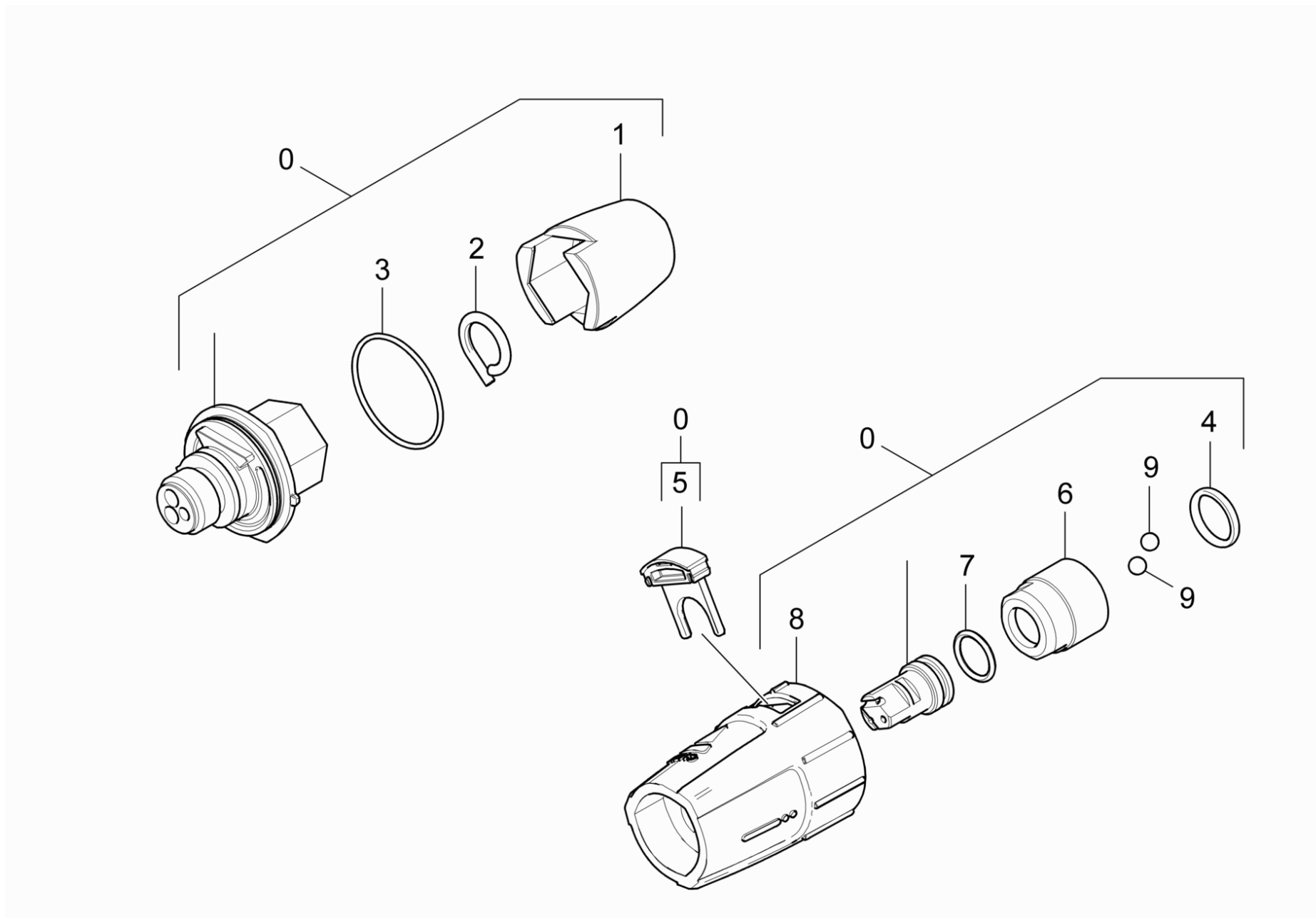
<b>POS</b>	<b>Article no.</b>	<b>Description</b>	<b>Quantity</b>	<b>Unit</b>
10	4.363-691.0	O-Ring seal kpl. -nur fuer Ersatz-	1	PC
13	2.880-990.0	Spare part set O-Ring 5x -Kaercher	1	PC



## 84 Jet pipe

---

<b>POS</b>	<b>Article no.</b>	<b>Description</b>	<b>Quantity</b>	<b>Unit</b>
1	4.760-665.0	Jet pipe packaged only for replacement	1	PC
2	2.880-990.0	Spare part set O-Ring 5x -Kaercher	1	PC





## 85 Triple jet nozzle

---

<b>POS</b>	<b>Article no.</b>	<b>Description</b>	<b>Quantity</b>	<b>Unit</b>
0	4.767-144.0	Triple jet nozzle only for replacement 0	1	PC
1	5.394-530.0	Protection part complete	1	PC
2	6.343-150.0	Pin 03	1	PC
3	6.362-409.0	O-Ring seal 32,0 X 1,5	1	PC
4	6.362-460.0	O-Ring seal 14,0 X 2,5-NBR 70	1	PC
5	5.321-884.0	Clamp	1	PC
6	5.311-225.0	Nut	1	PC
7	6.362-480.0	O-Ring seal 12,42x 1,78	1	PC
8	5.394-859.0	Protection part	1	PC
9	7.401-902.0	Sphere 5 G20 -1.4034 DIN 5401	2	PC

Triple jet nozzle only for replacement 0 (4.767-144.0)

---

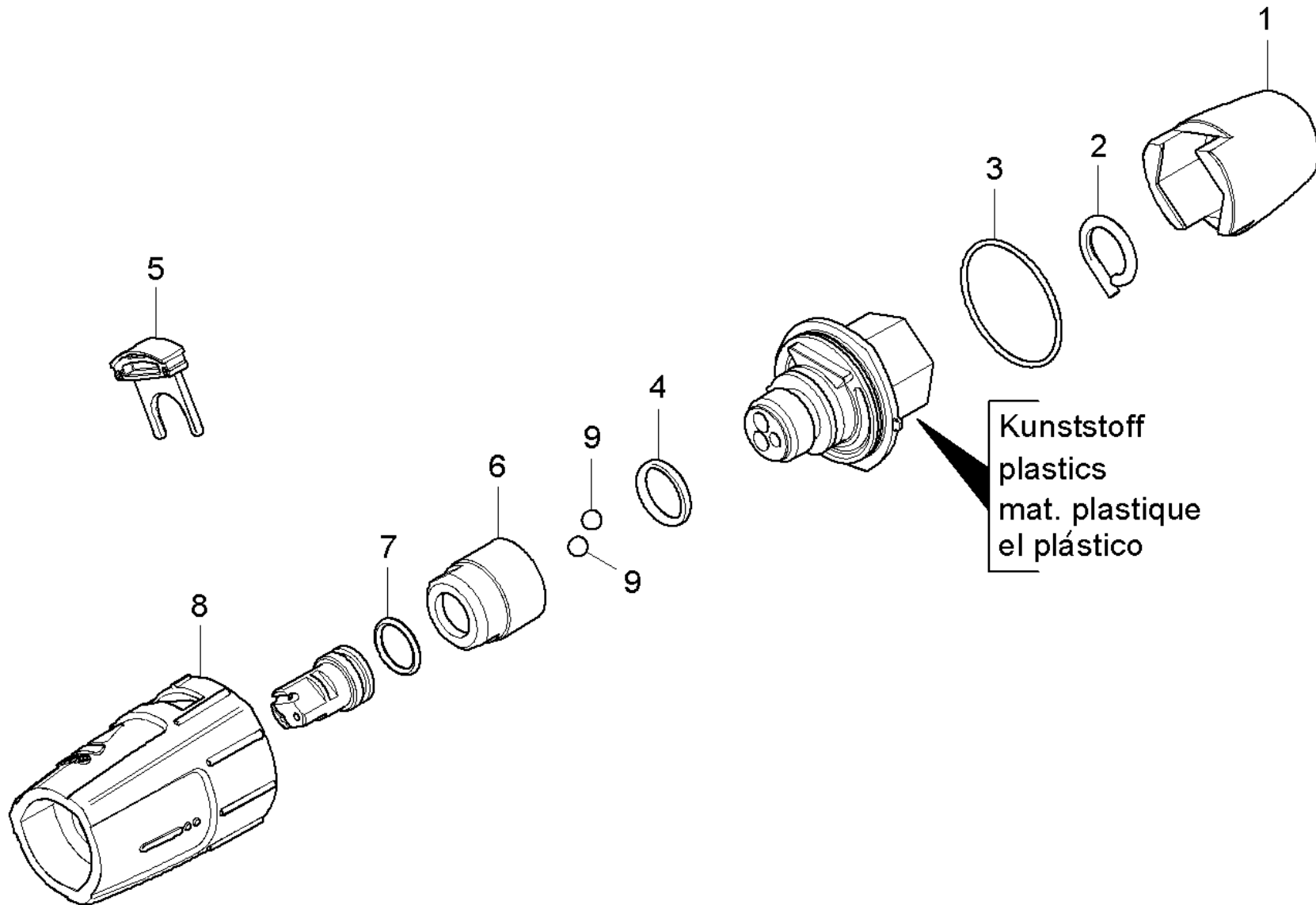
<b>POS</b>	<b>Article no.</b>	<b>Description</b>	<b>Quantity</b>	<b>Unit</b>
2	5.970-837.0	Spare parts list triple jet nozzle	1	PC

---

## 2 Spare parts list triple jet nozzle (5.970-837.0)

---

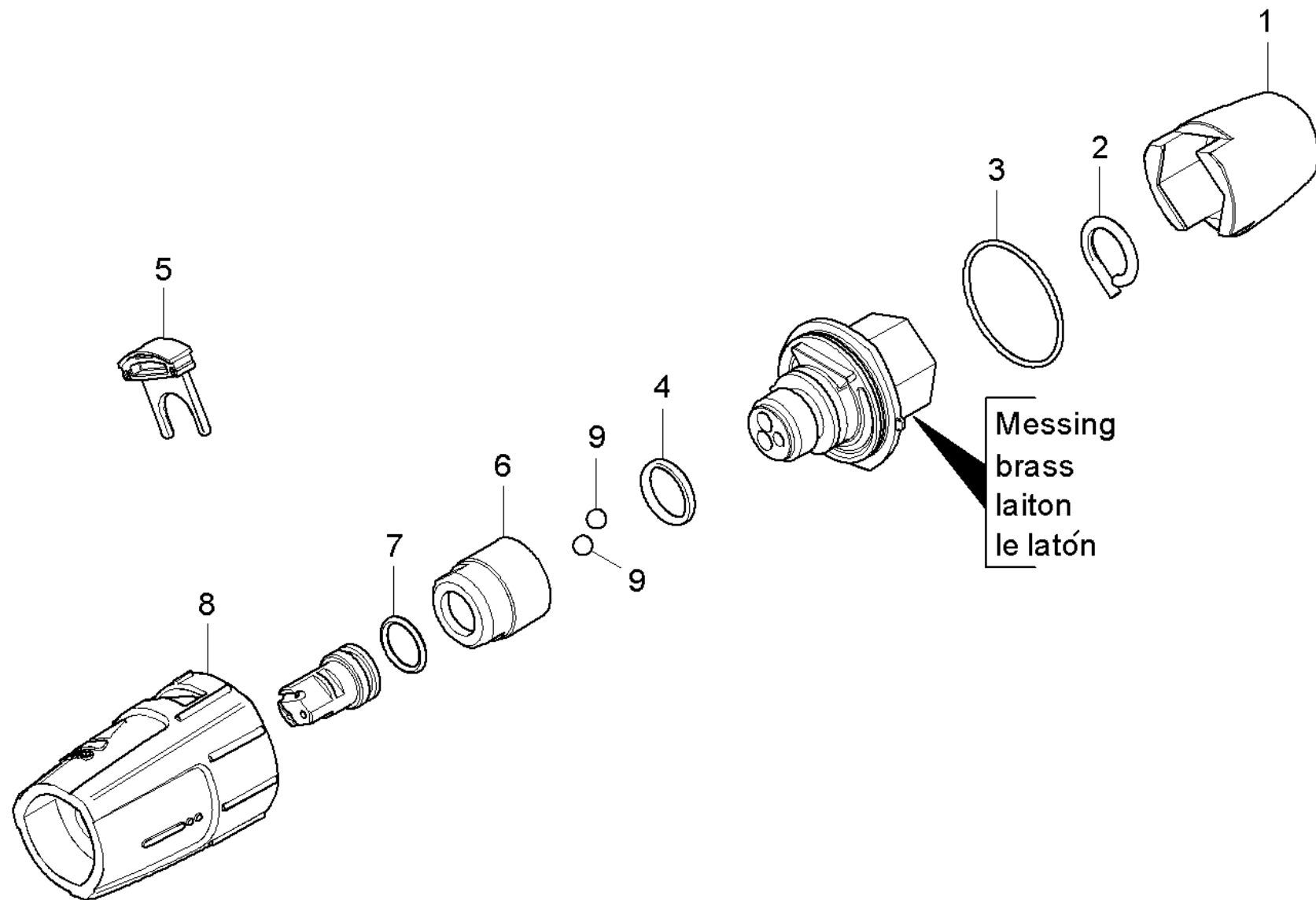
<b>POS</b>	<b>Description</b>	<b>Quantity</b>	<b>Unit</b>
10	Triple jet nozzle plastics	1	PC
20	Triple jet nozzle brass	1	PC



## 10 Triple jet nozzle plastics

---

<b>POS</b>	<b>Article no.</b>	<b>Description</b>	<b>Quantity</b>	<b>Unit</b>
1	5.394-530.0	Protection part complete	1	PC
2	6.343-150.0	Pin 03	1	PC
3	6.362-409.0	O-Ring seal 32,0 X 1,5	1	PC
4	7.362-039.0	O-Ring seal 15,5x1,5 -NBR70 DIN 3771	1	PC
5	5.321-884.0	Clamp	1	PC
6	5.311-236.0	Nut	1	PC
7	6.362-480.0	O-Ring seal 12,42x 1,78	1	PC
8	5.394-874.0	Protection part	1	PC
9	7.401-902.0	Sphere 5 G20 -1.4034 DIN 5401	2	PC



## 20 Triple jet nozzle brass

---

<b>POS</b>	<b>Article no.</b>	<b>Description</b>	<b>Quantity</b>	<b>Unit</b>
1	5.394-530.0	Protection part complete	1	PC
2	6.343-150.0	Pin 03	1	PC
3	6.362-409.0	O-Ring seal 32,0 X 1,5	1	PC
4	6.362-460.0	O-Ring seal 14,0 X 2,5-NBR 70	1	PC
5	5.321-884.0	Clamp	1	PC
6	5.311-225.0	Nut	1	PC
7	6.362-480.0	O-Ring seal 12,42x 1,78	1	PC
8	5.394-859.0	Protection part	1	PC
9	7.401-902.0	Sphere 5 G20 -1.4034 DIN 5401	2	PC