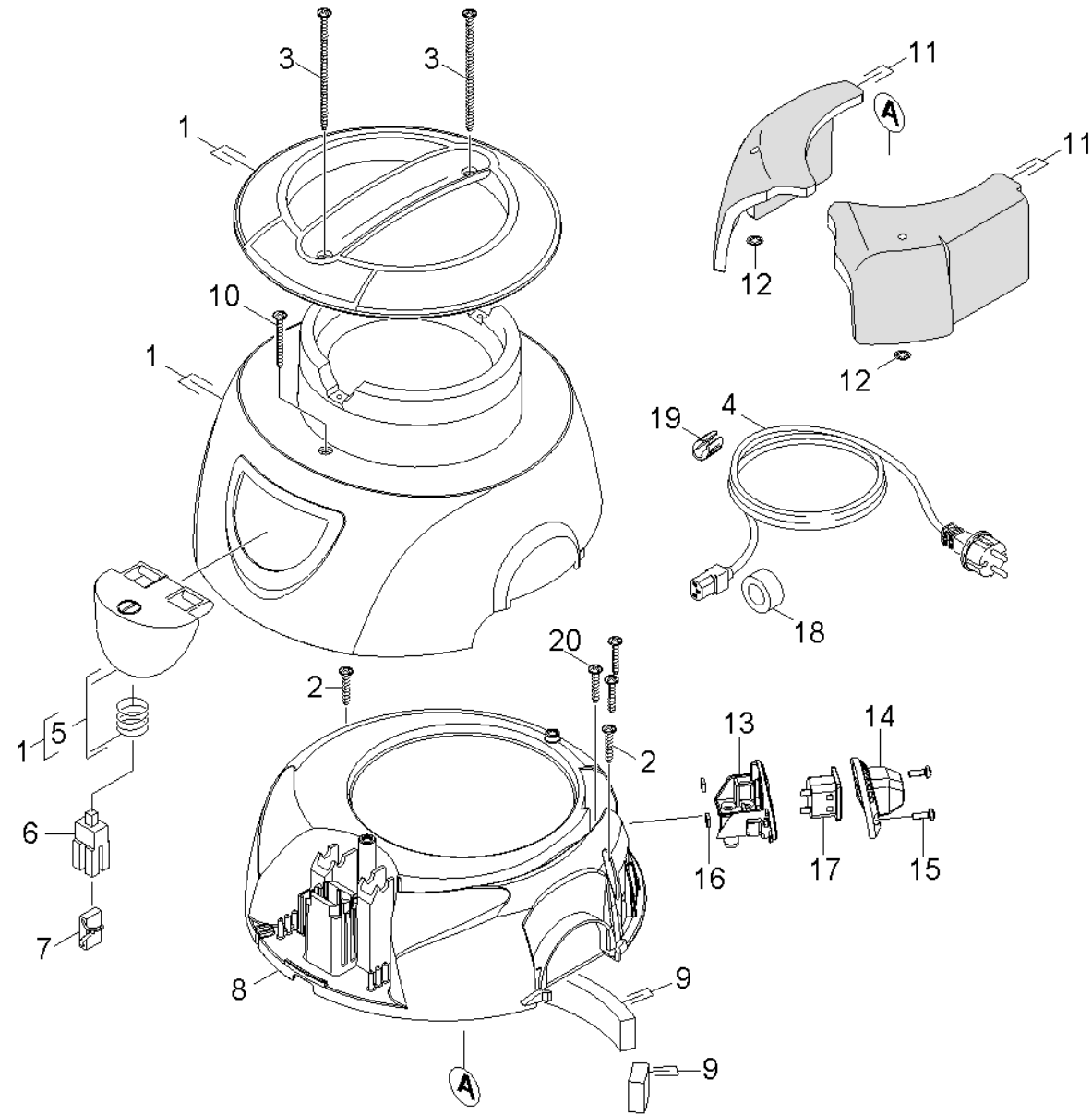


10 Housing

Overview technical documents/Professional/Vacuum cleaner/Dry vacuum cleaner/T 10/1 Adv (1.527-154.0)/Spare parts list T 10/1 ADV *EU/10 Housing



10 Housing

Overview technical documents/Professional/Vacuum cleaner/Dry vacuum cleaner/T 10/1 Adv (1.527-154.0)/Spare parts list T 10/1 ADV *EU/10 Housing

Rez.daļas/nodil.pakļ.daļas	Poz.	Materiāla Nr.	Nosaukums	Daudzums	Pārdoš. vienība	Daž. informācija
	1	4.069-007.0	Cover complete T 7/ 1 Advanced	1.000	ST	
X	2	7.303-084.0	Skrūve 4x25 -10.9-R2R (K-In6Rd)	2.000	ST	
	3	7.303-155.0	Screw 5x100-A2-70 (IN6RD)	2.000	ST	
X-X	4	6.649-743.0	Strāvas vads 12m	1.000	ST	*EU
	5	4.324-023.0	Push button t7/1	1.000	ST	
	6	6.630-032.0	Slēdzis	1.000	ST	
	7	4.839-357.0	Electrical small parts T 7/1	1.000	ST	
	8	5.692-116.0	Air circulation basalt grey RAL 7012	1.000	ST	
	9	2.889-081.0	Filter blowing filter 3 St.	1.000	ST	
X-X	10	7.303-086.0	Skrūve 5x30 -10.9-R2R (K-In6Rd)	2.000	ST	
	11	6.286-505.0	Insulating mat set	1.000	ST	
	12	6.343-145.0	Lock washer 5	2.000	ST	
	13	5.744-022.0	Adapter	1.000	ST	
	14	5.043-066.0	Holder plug gusty grey RAL 7037	1.000	ST	
	15	7.306-058.0	Screw M 4X 12- 8.8-R2R K-IN6RD	2.000	ST	
	16	7.311-569.0	Square nut M4 -04-A2E DIN 562	2.000	ST	
	17	4.839-416.0	Electrical small parts T 10/1 Profession	1.000	ST	
	18	6.346-043.0	Ferrite ring	1.000	ST	
	19	5.032-940.0	Plug fixing black	1.000	ST	
	20	7.303-096.0	Skrūve 4x22 -ST-10.9-R2R (IN6RD)	3.000	ST	